

HEAVY DUTY

HEATING & AIR CONDITIONING
UNITS & ALL MAKES PARTS

2018

RedDOT
CORPORATION

®



RedDotCorp.com

INTRODUCTION

RED DOT has been designing and building heating and air conditioning products heavy-duty vehicles and equipment since 1965. Our catalog represents the industry's most comprehensive selection of mobile HVAC units and replacement parts.

The catalog is organized into two sections: **Units & Kits** and **Replacement Parts**. The schematic on page four identifies the various components in a typical air conditioning system. You can use this schematic as an aid in ordering units and parts.

While this catalog is published once a year, Red Dot Distributors have access to a continually updated electronic listing of part numbers and applications. To locate a Red Dot Distributor near you, please visit **www.RedDotCorp.com/find-a-dealer**.

RED DOT CORPORATION

Mailing Address: 495 Andover Park East, Seattle, WA 98188

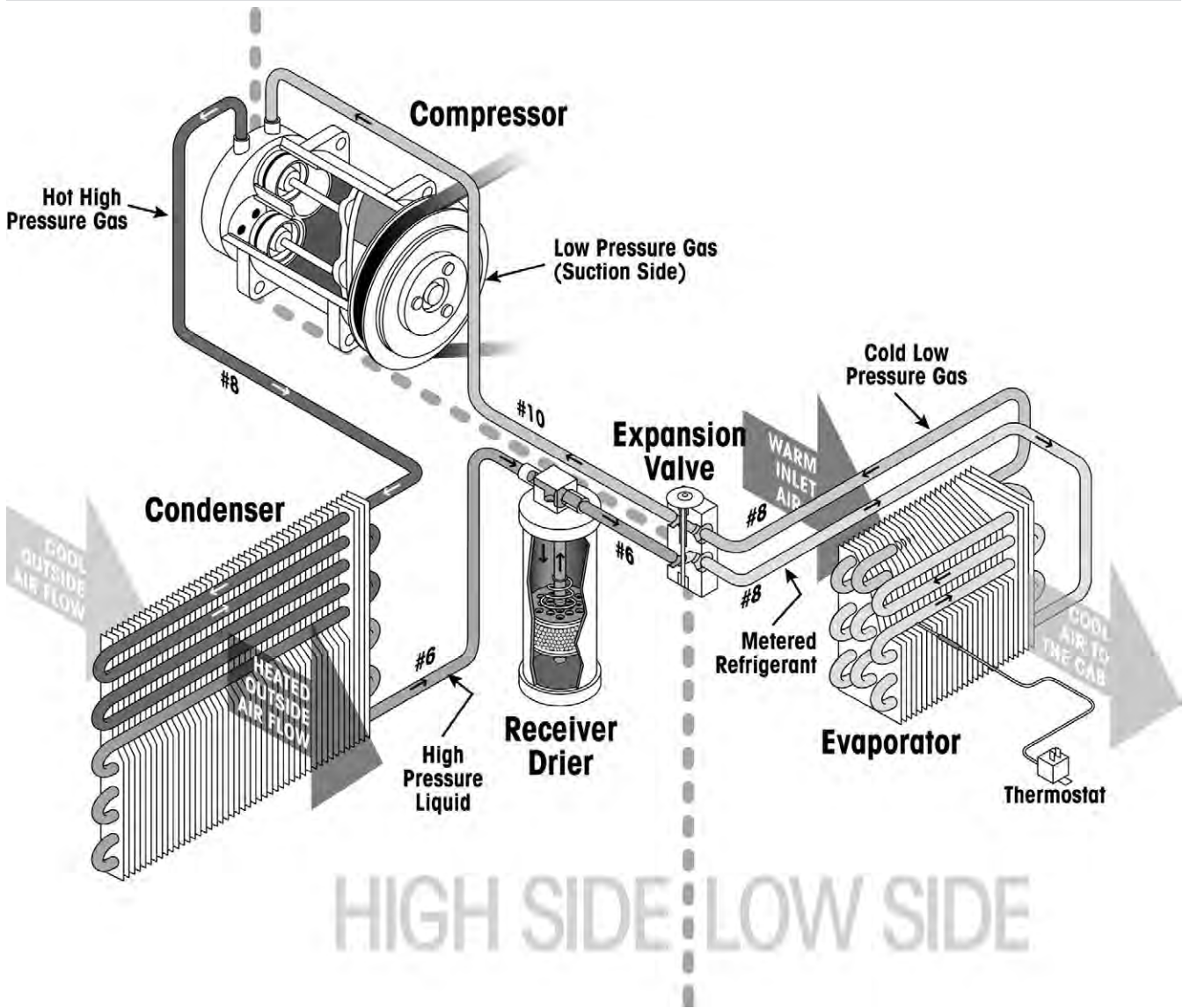
World Wide Web: **www.RedDotCorp.com**

Product Specifications/Availability

Photographs and illustrations in this catalog may vary slightly from production models and may include optional equipment and accessories.

Specifications and availability of products shown in this catalog are subject to change without notice by **RED DOT CORPORATION**.

TYPICAL PLUMBING SCHEMATIC



Air Conditioner components are connected together to illustrate system operation. The components shown are not to scale. The refrigerant and refrigerant oil are clear in color and not visible in this drawing; however, we've attempted to suggest temperature variants through the use of values of gray in the pipeline. The small arrows inside the components and connecting hoses show the direction of refrigerant flow (refrigerant circuit).

Units & Kits

**Rooftop
Headliners
Backwall
Ductables
Underdash
Heaters
Condensers
Direct Drive Compressors**

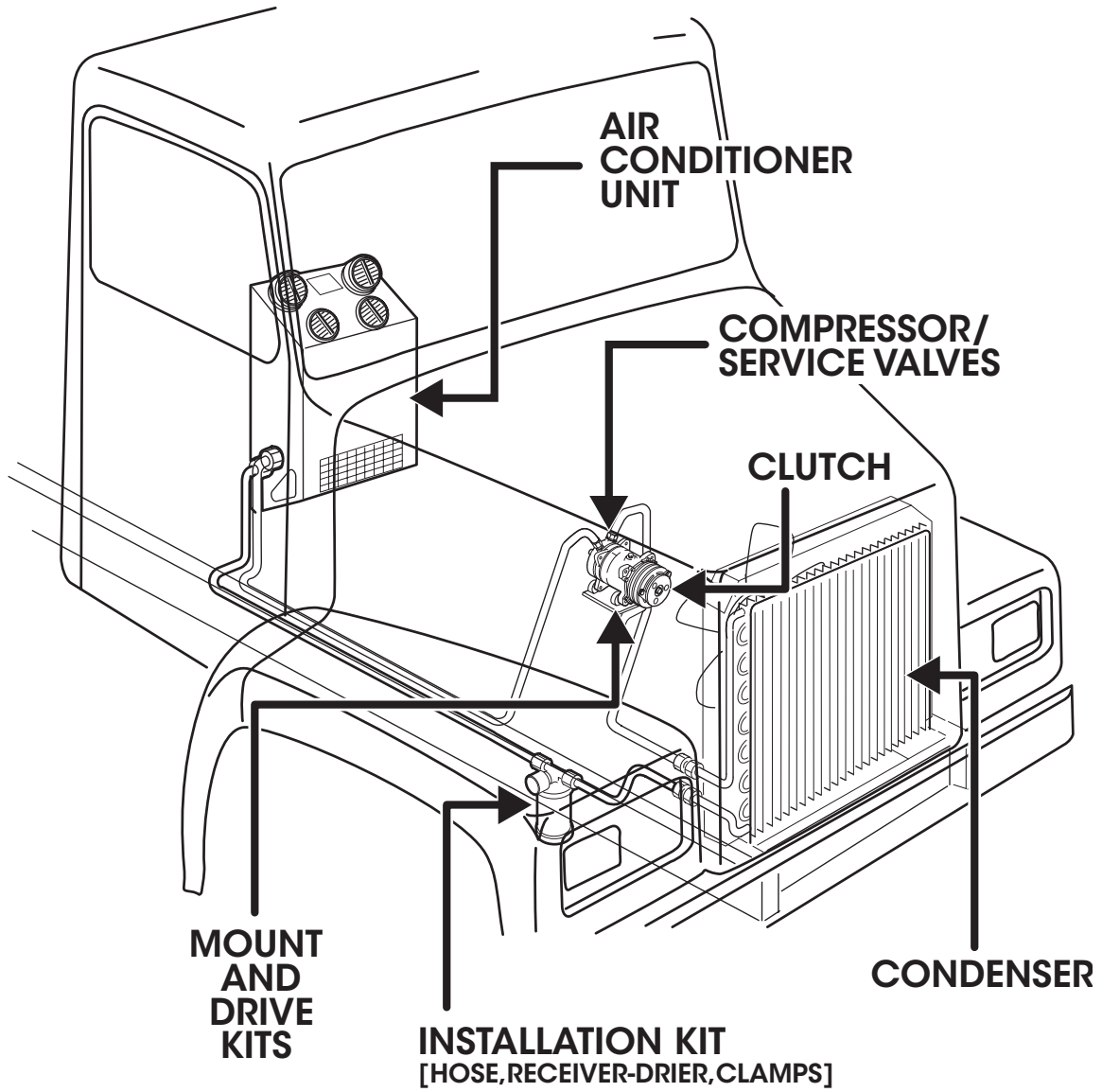
Parts

**Applications
Blower Motors, Wheels & Fans
Compressors, Clutches, Mount Kits & Service Parts
Condensers
Controls (Air & Water)
Controls (Electrical & Refrigerant)
Fittings And Accessories
Heater Cores & Evaporator Coils
Hoses & Filters
Receiver Driers & Accessories
Service Equipment
Reference Information**

Applications	
Bus Parts	102
Off-Road O.E.M. Applications	214
On-Road O.E.M. Applications.....	114
Blower Motors & Fans	312
All Purpose Fans	332
Blower Assy.....	330
Double Entry Blower Wheels.....	338
Double Shaft	323
Fan Blades.....	331
Pancake Fan Assy	326
Single Entry Blower Wheels.....	336
Single Shaft.....	312
Clutches	340
CCI / Blissfield	347
Nippondenso /Samlin.....	340
Que.....	341
Sanden	344
Compressors	353
CCI / York / Tecumseh	412
GMA6	353
Nippondenso / Samlin.....	354
Que.....	356
Sanden.....	386
Sanden FLX7.....	377
Compressor Components	414
Accessories	414
Adapter Brackets	418
Mount Kits.....	420
Service Fittings.....	416
Service Ports and Adaptors.....	416
Shaft Seal Kits	419
Condensers	426
Condenser Coils	427
Mounting Brackets	457
Power Condensers.....	454
Control Panels	458
Evaporator Coils	462
Expansion Valves	472
Block Type	473
External Equalizer.....	471
Orifice Tubes.....	478
Filters	480
Booster Pressurizer.....	492
Canisters Filters	486
Enginaire	489
Filter Kits and Parts	491
Frame Filters	480
Unframed Filters	487
Fittings	494
Aeroquip – EZ Clip.....	495
Bubble Crimp Style.....	508
Crimp Tools.....	519
Heater Cores	522
Hose	532
Air Line	534
Defrost Hose.....	534
Heater Fittings	533
Heater Hose.....	533
Misc Parts.....	533
OEM Replacement Assemblies.....	534
Refrigerant Hose	532
Louvers and Diffusers	537
Oils and Lubricants	607
Orifice Tubes	478
O-Rings	540
Receiver Driers/Accumulators	546
Accumulators	559
Brackets	558
Moisture Indicators	558

TABLE OF CONTENTS

Reference Information	618
Service Equipment and Tools	595
Switches	562
Actuators.....	562
Air Switches.....	563
APAds switches	584
Circuit Breakers	565
Control Knobs.....	566
Dual Function Switch.....	581
Micro	567
Pressure Switch	576
Push Button	567
Relays.....	568
Resistors.....	569
Rocker Switches	571
Rotary Switches.....	573
Thermostats	592
Toggle Switches.....	574
Trinary / Binary Switch	582
Twin Temp Relays.....	565
Tee Blocks	544
Thermostats	588
Water Valves	611
Control Cables	616
Electronic Water Valve.....	615
Engineered Polymer	612
Metal.....	611
Red Dot Air Operated.....	614
Red Dot w/Flow Restrictor.....	613
Cross Reference	624
Index	761



UNITS Each unit has been designed for on-road or off-road use. Most are universal in application but vary as to how they are mounted (rooftop, horizontal or vertical surfaces).

CONDENSERS The condenser cools hot refrigerant gas to a liquid. The cooler the refrigerant is when it gets to the air conditioning unit, the more effective the system. This lowers system pressure and can extend compressor and clutch life.

Three types of condensers are available from Red Dot: radiator, roof and remote mount. The radiator-mounted style (can be hood-mounted as a grill denser) will be the least costly as it does not need a separate motor-fan assembly and refrigerant hoses are shorter in length.

INSTALLATION KITS These kits have been designed to simplify the ordering of all the small parts necessary to complete an installation. A typical kit includes refrigerant hose, refrigerant fittings, receiver-drier (high capacity) with mounting bracket, clamps, tie wraps, nuts and bolts as required. A trinary or binary switch may also be included with certain kits.

COMPRESSOR, CLUTCHES, SERVICE VALVES Red Dot offers a variety of compressor choices. The traditional two-cylinder compressor is available with a cast aluminum body (CCI/York 210). When using these compressors the clutch and service valves must be ordered separately.

Rotary compressors manufactured by Sanden or Que are available in 8 and 10 cubic inch capacity. The clutch is included but service valves must be ordered separately. The shape of rotary compressors typically allows installation in a more confined space. Rotary compressors also tend to be smoother-running (less vibration).

Rooftop

R-6101 Rooftop Air Conditioner..... 30
R-9727 Heavy Duty Rooftop Air Conditioner..... 50
R-9757 Heavy Duty Rooftop Heater-Air Conditioner 56
R-9765 Heavy Duty Rooftop Heater-Air Conditioner 58
R-9777 Heavy Duty Rooftop Heater-Air Conditioner 60
R-9800 Rooftop or Side Mount Heater-Air Conditioner . 62

Headliners

R-2000 Ceiling Air Conditioner..... 12
R-9560 Headliner Air Conditioner 46
R-9715 High Capacity Ceiling Mount Air Conditioner... 48
R-9750 Headliner Air Conditioner 52
R-9755 Headliner Air Conditioner 54

Backwall

R-5040 Air Conditioner with Heat Option 24
R-5045 Backwall Heater-Air Conditioner 26
R-5075 Heavy Duty Backwall Heater-Air Conditioner.... 28
R-6840 Backwall Fleet Type Air Conditioner..... 32
R-7830 Backwall Fleet Type Air Conditioner..... 34
R-8500 Heater-Air Conditioner 39
R-8545 Heavy Duty Heater-Air Conditioner 40

Ductables

R-1630 Heater-Defroster..... 10
R-2300 Heater-Air Conditioner..... 14
R-2550 Heater-Air Conditioner..... 18
R-4122 Sleeper-Auxiliary Heater-Air Conditioner... 20
R-5040 Air Conditioner with Heat Option 24
R-9520 Heater-Air Conditioner..... 44
R-6130 Box Heater..... 76

Heaters

R-1630 Heater-Defroster..... 10
R-254, 255 Auxiliary Heater 70
R-270 Auxiliary Heater 71
R-273 Auxiliary Heater 71
R-290 Auxiliary Heater 72
R-295 Auxiliary Heater 72
R-297 Auxiliary Heater 73
R-2020 Universal Mount Heater-Defroster..... 73
R-3500 Heavy Duty Large Capacity Heater-Defroster ... 75
R-3540 Auxiliary Heater..... 75
R-4013H Auxiliary Heater-Defroster 76
R-6130 Box Heater..... 76

Underdash

R-3310 Drop-in Heater A/C Kit for
 Ottawa Kalmar Yardspotters..... 22
R-8230 In-Dash Heater-Air Conditioner
 for Navistar "S" 36
R-8235 Drop-In Evaporator Kit for Navistar "S",
 4000, 7000 & 8000 Series Trucks 38
R-8820 In-Dash Heater-Air Conditioner
 for Mack "R" Series 42

Condensers

R-4500 Heavy Duty Large Capacity
 Remote Mounted Condenser 80
R-6160 Rooftop Condenser..... 82
R-6260 Heavy Duty Dual Fan Rooftop Condenser .. 84
R-9720 Heavy Duty Skirt or Remote Mount Condenser . 86
R-9725 Heavy Duty Condenser 88
R-9730 Heavy Duty Remote Mount Condenser 88
 Power Condensers..... 93

Direct Drive Compressors

R-9976 Hydraulic Direct Drive Compressor..... 97

Filter and Pressurizers 98

Off Road Kits..... 101

Replacement Parts

Heater/Air Conditioners..... 64
Heaters Only 77
Condensers..... 91

By Part Number

R-254 70
R-255 70
R-270 71
R-273 71
R-290 72
R-295 72
R-297 73
R-1630 10
R-2000 12
R-2020 73
R-2300 14
R-2550 18
R-3310 22
R-3500 75
R-3540 75
R-4013H 76
R-4122 20
R-4500 80
R-5040 24
R-5045 26
R-5075 28
R-6101 30
R-6130 76
R-6160 82
R-6260 84
R-6840 32
R-7830 34
R-8230 36
R-8235 38
R-8500 39
R-8545 40
R-8820 42
R-9520 44
R-9560 46
R-9715 48
R-9720 86
R-9725 88
R-9727 50
R-9730 88
R-9750 52
R-9755 54
R-9757 56
R-9765 58
R-9777 60
R-9800 62
R-9976 97

R-1630

Heater/Air Conditioner/Defroster Unit

OFF-ROAD • CONSTRUCTION • INDUSTRIAL

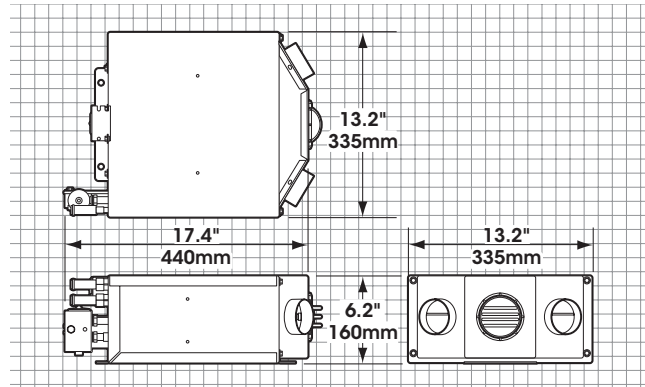
The R-1630 combines powerful heating and cooling with the compact profile you need for tight spaces. It easily mounts under the seat or the package tray, and the louver and duct options let you direct air where you need it..



Shown with optional louvers

R-1630 SPECIFICATIONS

BTUs	Heating - 27,000 BTU/hr @ 100° F (5.7kW @ 37.8° C) air temperature rise Cooling - 17,000 BTU/hr @ with 36° F (9.7 kW with 2.2° C) refrigerant temperature and 80° (26.7° C) wet bulb entering air
AIR FLOW	265 CFM
WEIGHT	25 lbs. (11.3 kg)
CURRENT	17.8 amps @ 13.6 VDC
DRAW	8.9 amps @ 27.2 VDC
MODELS	R-1630-1P (12 VDC) R-1630-1-24P (24 VDC)



R-1630 SYSTEM ORDERING GUIDE

	R-134a	NOTES
UNITS	R-1630-1P R-1630-1-24P	12 VDC – Variable Thermostat 24 VDC – Variable Thermostat
CONDENSER	R-6160 77R0650	ROOF MOUNT See Condenser Section RADIATOR MOUNT See Condenser Section
INSTALLATION KIT	78R1070 78R1077 78R1027 78R1025	Rooftop condenser ATCO version Rooftop condenser EZ Clip version Front mount condenser EZ Clip version Front mount condenser ATCO version
COMPRESSOR	Requires compressor and mounting kit	See Compressor Section

OPTIONS:

Louvers

Unit shown with optional louvers.

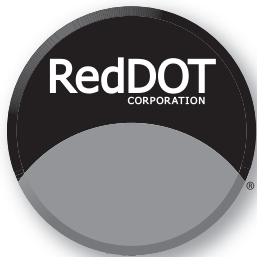


RD-3-10597-0P

Louvers & Ducts



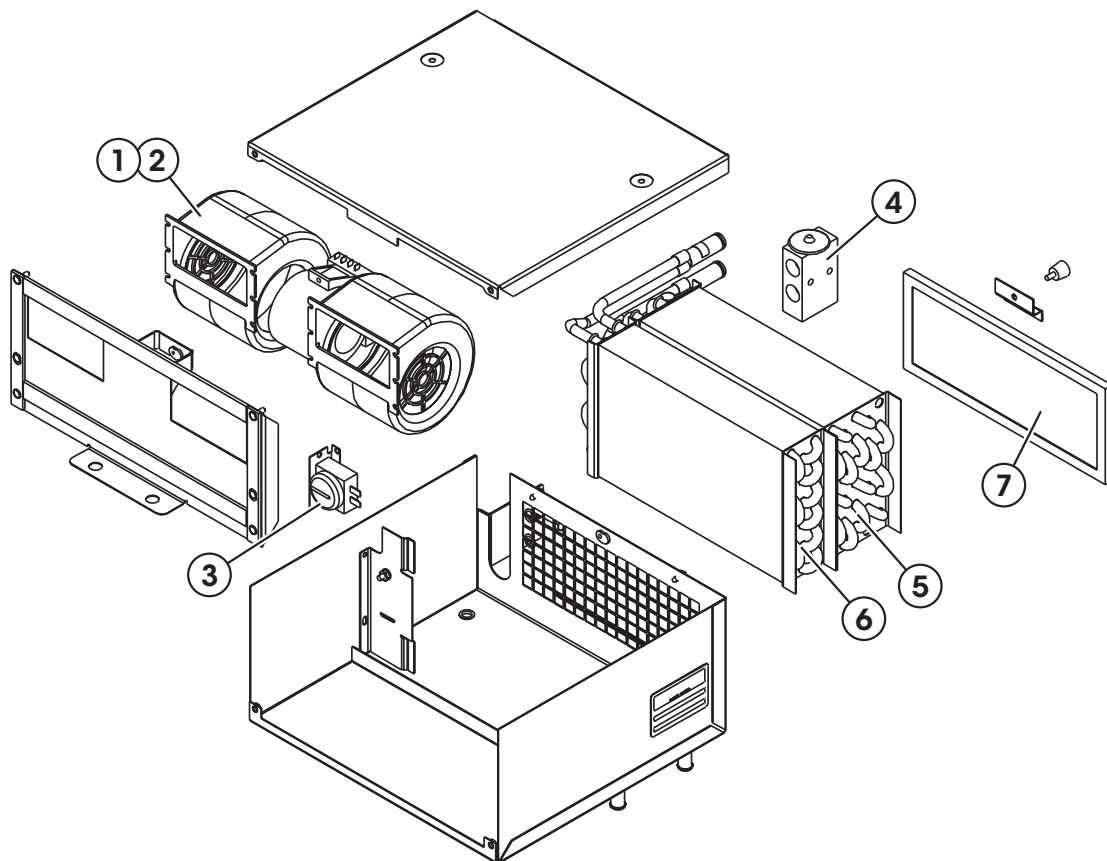
RD-3-10478-0P



Heater-Air Conditioner Model R-1630-1

SERVICE PARTS LIST

HEATER-A/C



ITEM	NOTE	PART NO.	DESCRIPTION	CAT. NO.
1		RD-5-8838-0P	Motor Blower Assembly- Double, 24v	73R5534
2		RD-5-8837-0P	Motor Blower Assembly- Double, 12v	73R5532
3		RD-5-4531-24P	Thermostat	71R3200
4		RD-5-6868-0P	Valve- Expansion	71R8300
5		RD-2-3832-0P	Evaporator Core Assembly	76R6325
6		RD-1-2069-0P	Heater Core Assembly	76R2740
7		RD-3-10591-0P	Recirc Filter	78R5355
8	A	RD-3-10729-0P	Wire Harness Assembly	

NOTES: A= Not shown

RED DOT CORPORATION

P.O.Box 58270 Seattle, WA 98138 (206) 575-3840 AMCustomerService@RedDotCorp.com

RD-3-9351-0 (REV A)

FOR REFERENCE ONLY. SUBJECT TO CHANGE WITHOUT NOTICE

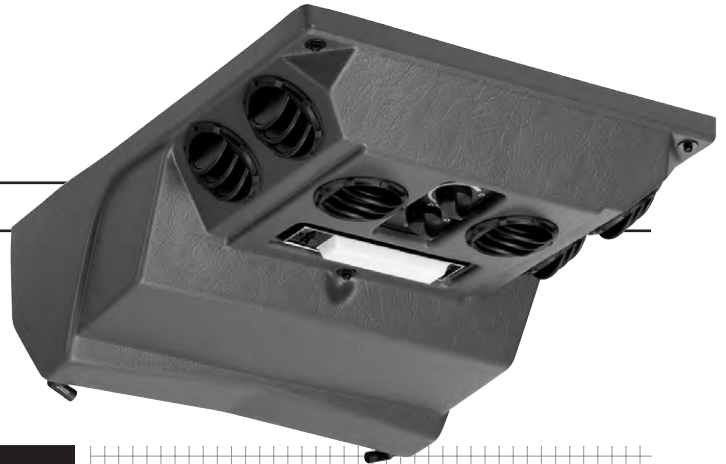
ON-ROAD

R-2000 Headliner

Air Conditioner Unit

TRUCKS • REFUSE • VANS • RV

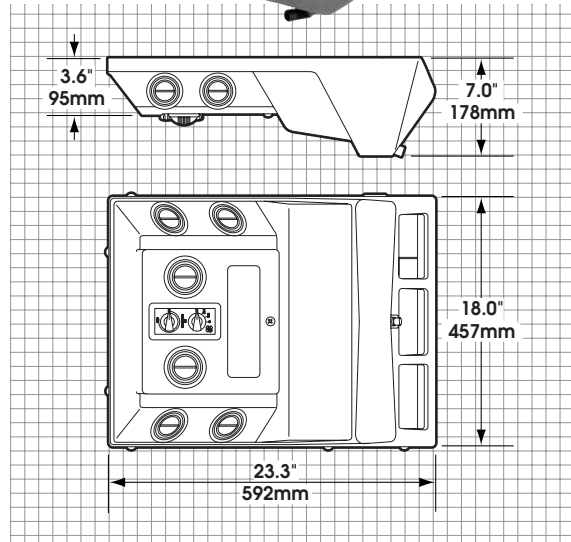
With a low profile and small footprint, the R-2000 can be mounted in virtually any cab and oriented in whatever direction suits your space. The R-2000 is also an effective auxiliary cooling unit in vans, motor homes, and small delivery vehicles.



HEATER-A/C

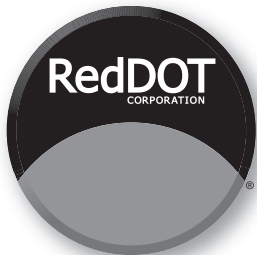
R-2000 SPECIFICATIONS

BTUS	Cooling – 17,000 BTU/Hr @ 36°F (5 kW @ 2.2°C) refrigerant temperature and 80°F (26.7°C) wet bulb entering air
AIR FLOW	235 CFM (400 m ³ /h)
WEIGHT	24 lbs. (11 kg)
CURRENT	18.5 amps @ 13.6 VDC (includes 4 amps for A/C clutch)
DRAW	9.3 amps @ 27.2 VDC (includes 2 amps for A/C clutch)
CONTROLS	Three-speed fan, adjustable thermostat



R-2000 SYSTEM ORDERING GUIDE

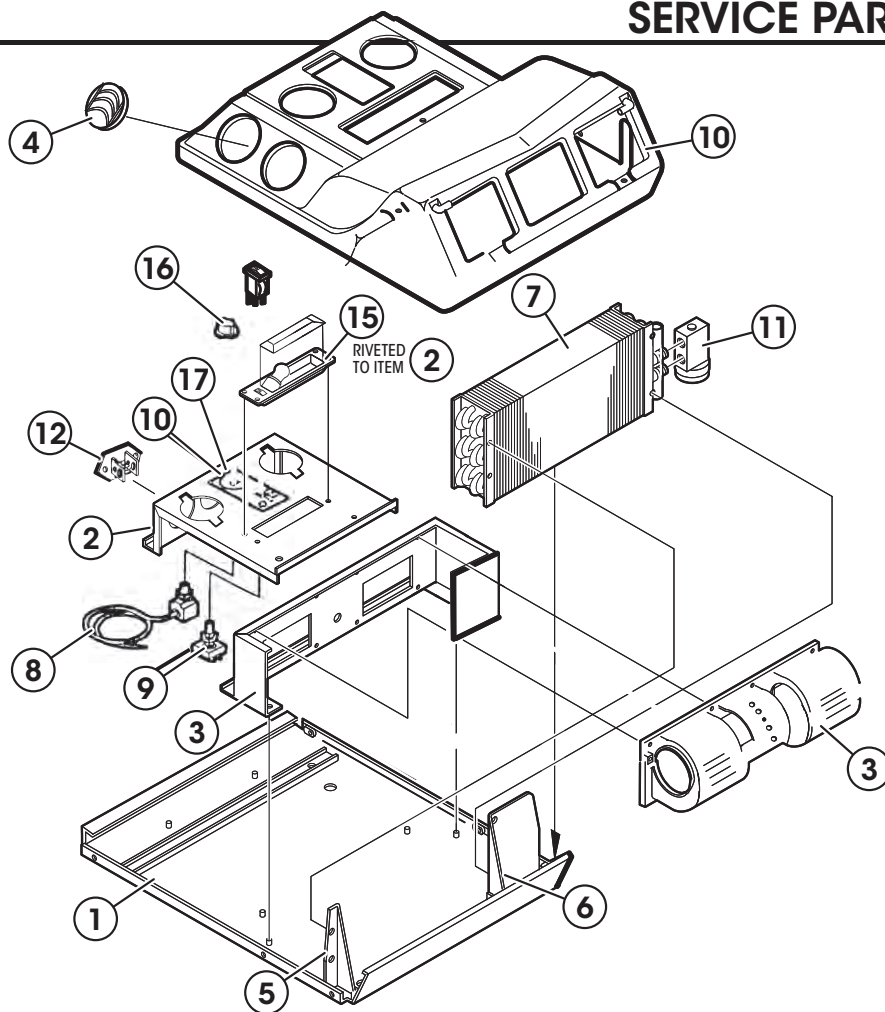
	R-134a	NOTES	
UNITS	R-2000-11P R-2000-11-24P	12 VDC 24 VDC	
CONDENSER	R-6160 77R0650	Roof Mount Universal	See Condenser Section
INSTALLATION KIT	78R1070 78R1077 78R1027 78R1025	Rooftop condenser Rooftop condenser Front mount condenser Front mount condenser	ATCO version EZ Clip version EZ Clip version ATCO version
COMPRESSOR	Requires compressor and mounting kit		See Compressor Section



Headliner Air Conditioner Model R-2000-11

SERVICE PARTS LIST

HEATER-A/C



ITEM	NOTE	PART NO.	DESCRIPTION	CAT. NO.
1		RD-2-2994-OP	Base Plate Assembly	
2		RD-2-2997-1P	Control Panel Assembly	
3		RD-5-14191-OP	Motor Blower Mount Assembly 12V	
4		RD-5-10236-OP	Louver Assembly	72R3135
5		RD-2-0986-1P	Retainer - BTM HDR	
6		RD-2-3003-1P	Retainer - TOP HDR	
7		RD-2-0993-1P	Evaporator Assembly	76R5200
8		RD-4125-36	Thermostat	71R2250
9		RD-5-3646-OP	Switch - 3 Speed Fan	
10		RD-2-5853-OP	Cover Assembly	

ITEM	NOTE	PART NO.	DESCRIPTION	CAT. NO.
11		RD-5-6868-OP	Expansion Valve	71R8300
12		RD-5-3647-OP	Resistor	71R1450
13	A	RD-2-3135-OP	Wire Harness Assembly	
14	A	RD-2-1017-OP	Foam - Evaporator	
15		RD-5-8535-OP	Dome Light Assembly	71R1626
16		RD-5-8812-OP	Knob (2)	71R4015
17		RD-2-0851-1P	Label	
18	B	RD-2-2997-2P	Control Panel Assembly	
19	B	RD-5-8526-1P	Motor Blower Assembly 24V	73R5514
20	B	RD-5-5037-OP	Light Bulb - 24 volt	

NOTES: A= Not shown B=for 24v system only

RED DOT CORPORATION

P.O.Box 58270 Seattle, WA 98138 (206) 575-3840 AMCustomerService@RedDotCorp.com

RD-2-3138-0 (REV D)

FOR REFERENCE ONLY. SUBJECT TO CHANGE WITHOUT NOTICE

OFF-ROAD

R-2300

Ductable Heater/Air Conditioner/Defroster Unit

UNIVERSAL APPLICATIONS

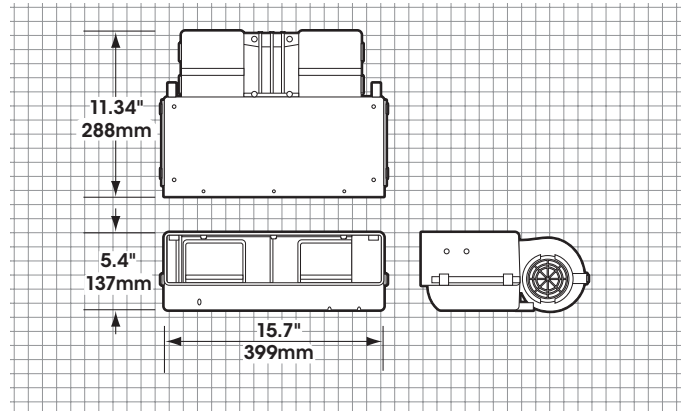
Perfect for lighter-duty vehicles, the versatile R-2300 mounts on the floor, ceiling, or under the dash and is available with optional louvers and air outlets for ducting.



HEATER-A/C

R-2300 SPECIFICATIONS

BTUs	Heating – 32,070 BTU/Hr @ 100°F (9 kW @ 37.8°C) air temperature rise Cooling – 17,736 BTU/Hr @ 36°F (5.2 kW @ 2.2°C) refrigerant temperature and 80°F (26.7°C) wet bulb entering air
WEIGHT	15 lbs. (6.8 kg)
AIR FLOW	275 CFM (467 m³/h)
CURRENT	12.2 amps @ 13.6 VDC (includes 4 amps for A/C clutch)
DRAW	6.1 amps @ 27.2 VDC (includes 2 amps for A/C clutch)



R-2300 SYSTEM ORDERING GUIDE

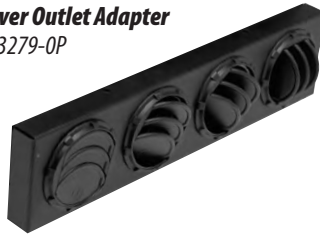
	R-134a	NOTES
UNITS	R-2300-0P R-2300-0-24P R-2300-1P R-2300-1-24P R-2300-2P R-2300-2-24P	A/C Only (12 VDC) A/C Only (24 VDC) Heater Only (12 VDC) Heater Only (24 VDC) Heater A/C (12 VDC) Heater A/C (24 VDC)
CONDENSER		12 & 24 VDC, See Condenser Section
INSTALLATION KIT	78R1027 78R1025	Refrigerant hose, fittings, drier, pressure switch, hardware / EZ Clip version Refrigerant hose, fittings, drier, pressure switch, hardware / ATCO version
COMPRESSOR	Requires compressor and mounting kit	See Compressor Section

OPTIONS:

2 1/2" Outlet Adapter
RD-1-1651-0P



4 Louver Outlet Adapter
RD-2-3279-0P

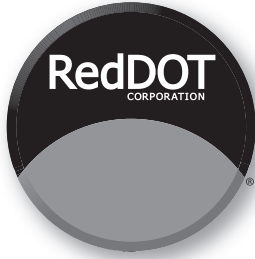


2 1/2" Defrost Hose (9')
78R0250



Control Panels (See also 71 Series, Control Panels)

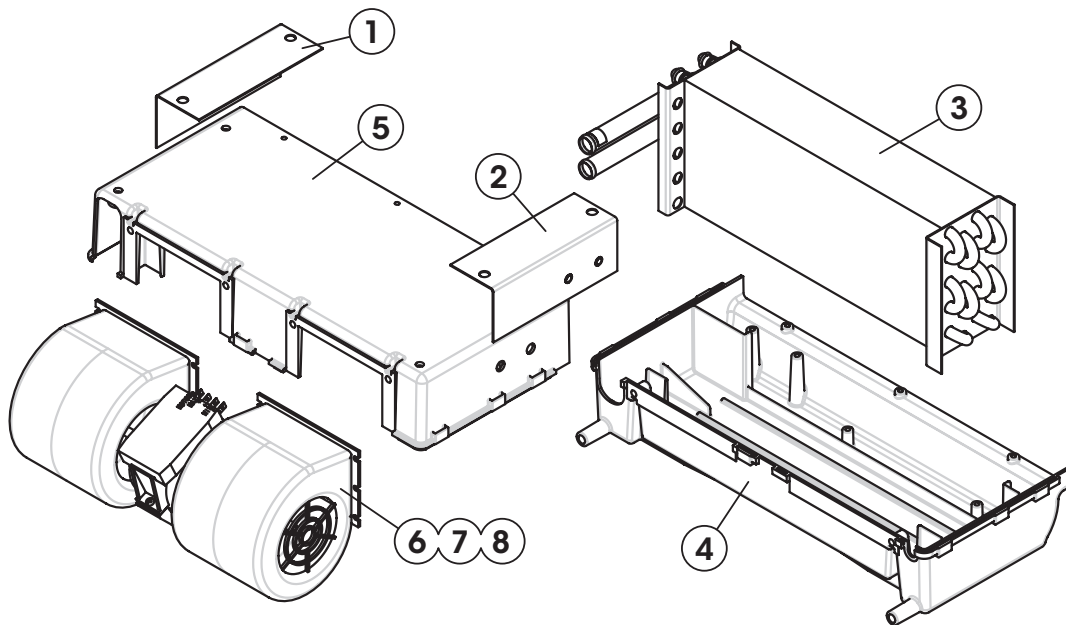
For R-2300-0P & R-2300-0-24P	71R5815	Three-speed motor switch with A/C switch
For R-2300-1P & R-2300-1-24P	71R5821	Heater control - Three-speed motor switch with manual water valve control
	71R5823	Heater control - Three-speed motor switch with electronic water valve control
For R-2300-2P & R-2300-2-24P	71R5600	Three-speed motor switch - includes manual water valve control
	71R5605	Three-speed motor switch - includes electronic water valve control
	71R5122	Three-speed motor switch - includes A/C switch and electronic water valve



Model R-2300-0,-1,-2 Heater

SERVICE PARTS LIST

HEATER-A/C



ITEM	NOTE	PART NO.	DESCRIPTION	CAT. NO.
1		RD-3-14539-OP	Bracket- Mount	
2		RD-3-14540-OP	Bracket- Mount	
3		RD-1-3436-OP	Core- Heater Assembly	
4		RD-3-14266-OP	Housing- Lower	
5		RD-3-14265-OP	Housing- Upper	

ITEM	NOTE	PART NO.	DESCRIPTION	CAT. NO.
6	A	RD-5-8837-OP	Motor- Double Blower, 12v	73R5532
7	B	RD-5-8838-OP	Motor- Double Blower, 24v	73R5534
	C	RD-1-1651-OP	2.5" Outlet Adapter	
	C	RD-2-3279-OP	Plenum Assembly	72R4535

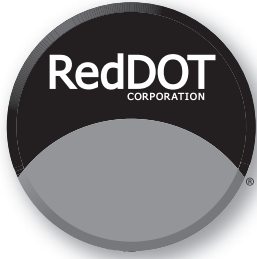
NOTES: A= 12 volt system A= 24 volt system C= Optional

RED DOT CORPORATION

P.O.Box 58270 Seattle, WA 98138 (206) 575-3840 AMCustomerService@RedDotCorp.com

RD-1-3497-0 (REV C)

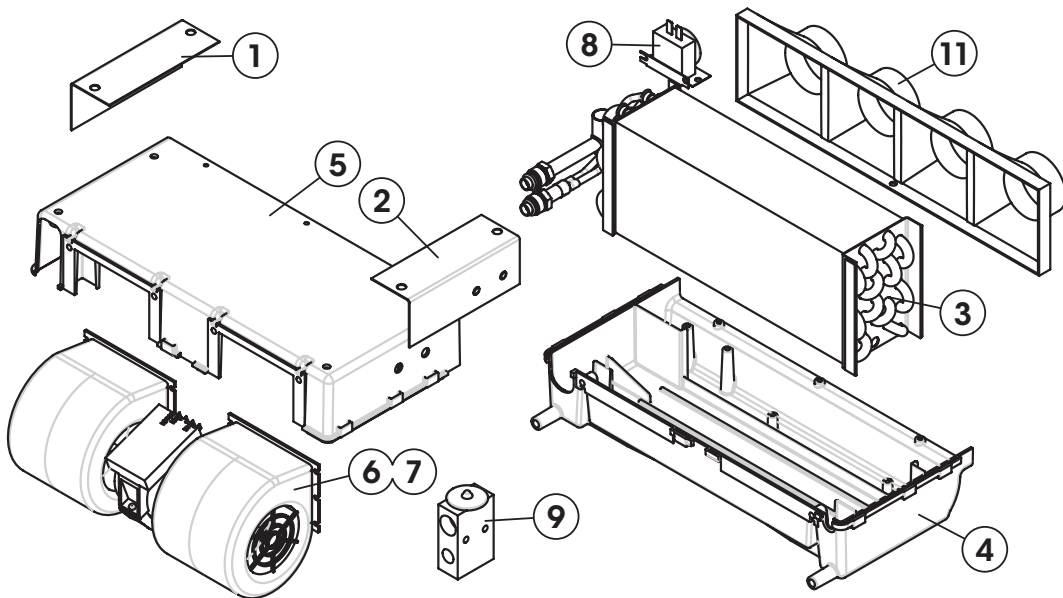
FOR REFERENCE ONLY. SUBJECT TO CHANGE WITHOUT NOTICE



Model R-2300-0,-1,-2 Air Conditioner

SERVICE PARTS LIST

HEATER-A/C



ITEM	NOTE	PART NO.	DESCRIPTION	CAT. NO.
1		RD-3-14539-OP	Bracket- Mount	
2		RD-3-14540-OP	Bracket- Mount	
3		RD-2-5661-OP	Evaporator Assembly	76R5323
4		RD-3-14266-OP	Housing- Lower	
5		RD-3-14265-OP	Housing- Upper	
6	A	RD-5-8837-OP	Motor- Double Blower, 12v	73R5532

ITEM	NOTE	PART NO.	DESCRIPTION	CAT. NO.
7	B	RD-5-8838-OP	Motor- Double Blower, 24v	73R5534
8		RD-5-6429-OP	Thermostat	71R3150
9		RD-5-6868-OP	Valve- Expansion, R-134A	71R8301
11	C	RD-1-1651-OP	2.5" Outlet Adapter	72R4534
		RD-2-5663-OP	Harness- Wire Assembly	
	C	RD-2-3279-OP	Plenum Assembly	72R4535

NOTES: A= 12 volt system B= 24 volt system C= Optional

RED DOT CORPORATION

P.O.Box 58270 Seattle, WA 98138 (206) 575-3840 AMCustomerService@RedDotCorp.com

RD-2-5740-0 (REV A)

FOR REFERENCE ONLY. SUBJECT TO CHANGE WITHOUT NOTICE

R-2550

Heater/Air Conditioner Unit

RESCUE VEHICLES

The R-2550 is specifically designed for ambulances and other lighter-duty vehicles with large interior spaces to heat and cool quickly.



R-2550 SPECIFICATIONS

BTUs Heating – 45,900 BTU/Hr @ 100°F
 (13.4 kW @ 37.8°C) air temperature rise
 Cooling – 35,600 BTU/Hr @ 36°F
 (10.4 kW @ 2.2°C) refrigerant temperature
 and 80°F (26.7°C) wet bulb entering air

AIR FLOW 390 CFM (662 m³/h)

WEIGHT 39 lbs. (17.7 kg)

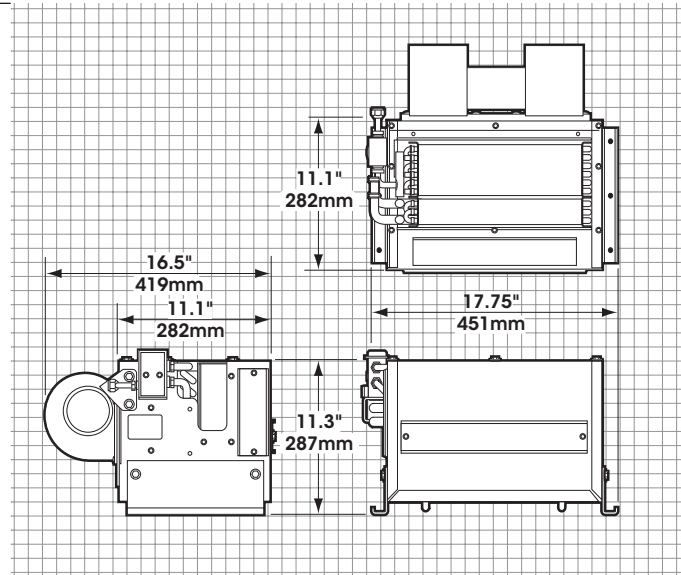
CURRENT DRAW 22 amps @ 13.6 VDC (Heater/AC)

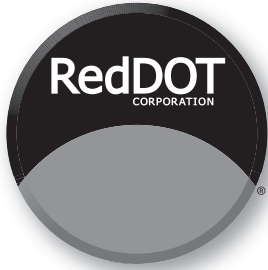
UNITS R-2550-0P Heater/Air Conditioner (12 VDC)

OPTIONS:

Control Panels (See also 71 Series, Control Panels)

- 71R5600 Three-speed motor switch - includes manual water valve control
- 71R5605 Three-speed motor switch - includes electronic water valve control
- 71R5122 Three-speed motor switch - includes A/C switch and electronic water valve
- 71R5812 Automatic Temperature Control - 12 volt
- 71R5212 Heater-A/C Control - Three-speed motor switch with Red Dot Twin Temp™ Control

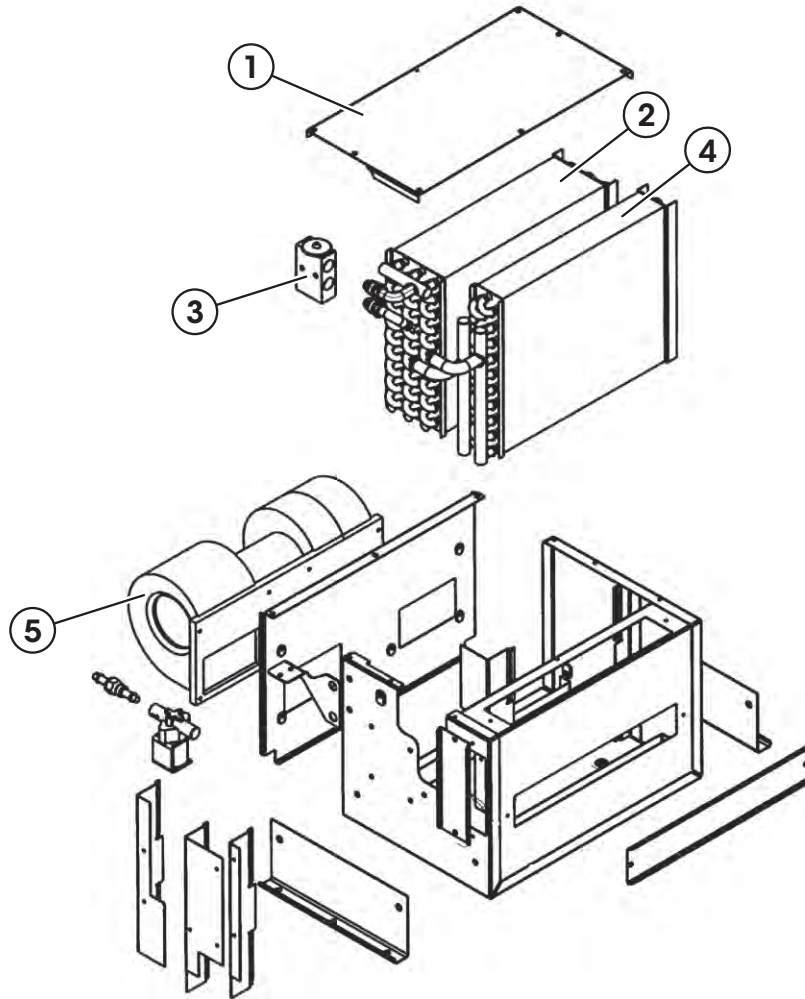




Heater-Air Contitioner Model R-2550-0

SERVICE PARTS LIST

HEATER-A/C



ITEM	NOTE	PART NO.	DESCRIPTION	CAT. NO.
1		RD-3-9175-0P	Cover	
4		RD-2-3812-0P	Evaporator Assembly	
5		RD-5-7015-0P	Expansion Valve	70R8321
6		RD-1-1748-0P	Heater Core Assembly	76R4020
9		RD-5-9204-0P	Motor Blower Assembly	73R5622

RED DOT CORPORATION

P.O.Box 58270 Seattle, WA 98138 (206) 575-3840 AMCustomerService@RedDotCorp.com

RD-5-9089-0 (REV A)

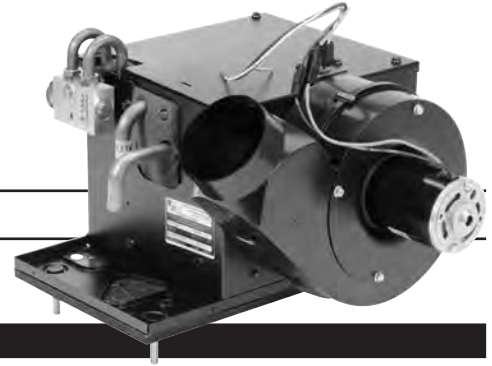
FOR REFERENCE ONLY. SUBJECT TO CHANGE WITHOUT NOTICE

R-4122

Sleeper Heater/Air Conditioner Unit

COMMERCIAL TRUCKS • INDUSTRIAL CABS • VANS

A high-performance heater-A/C unit for big interior spaces, the R-4122 helps keep the sleeper comfortable in any climate. Available with optional sleeper controls and a four-way air diffuser.



R-4122 SPECIFICATIONS

BTUs	Heating – 30,573 BTU/Hr @ 100°F (8.9 kW @ 37.8°C) air temperature rise Cooling – 19,246 BTU/Hr with 36°F (5.6 kW with 2.2°C) refrigerant temperature and 80°F wet bulb entering air
AIR FLOW	283 CFM (481 m³/h)
WEIGHT	28 lbs. (12.7kg)
MOTORS	Permanent magnet, three-speed
CURRENT DRAW	18 amps @ 13.6 VDC
UNITS	Heater/A/C R-4122-9P 12 VDC

OPTIONS:

Four-Way Air Assembly Diffuser

(outlets are 2 5/8" dia)

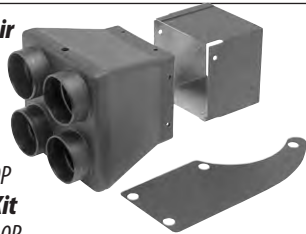
RD-3-7646-0P

Plumbing Kit

RD-3-12465-0P

Single Shaft, Single Speed Blower Motor

73R0404



Sleeper Control

R-4122-9P – 71R5212
(thermostat with fan and mode switch)

Solenoid Valve, 24v

71R9004

Control Panels (See also 71 Series, Control Panels)

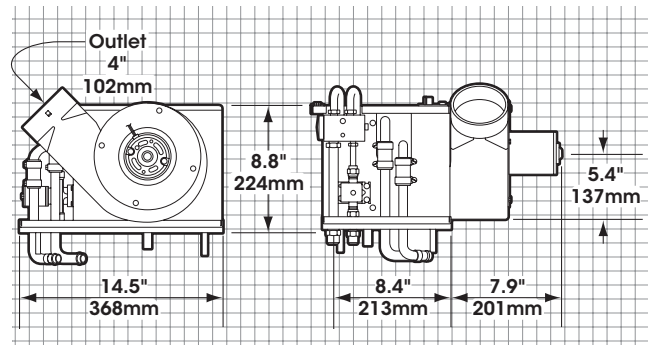
71R5600 Three-speed motor switch - includes manual water valve control

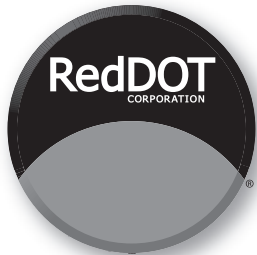
71R5605 Three-speed motor switch - includes electronic water valve control

71R5122 Three-speed motor switch - includes A/C switch electronic water valve

71R5812 Automatic Temperature Control - 12 volt

71R5212 Heater-A/C Control - three-speed motor switch, Red Dot Twin Temp™ Control

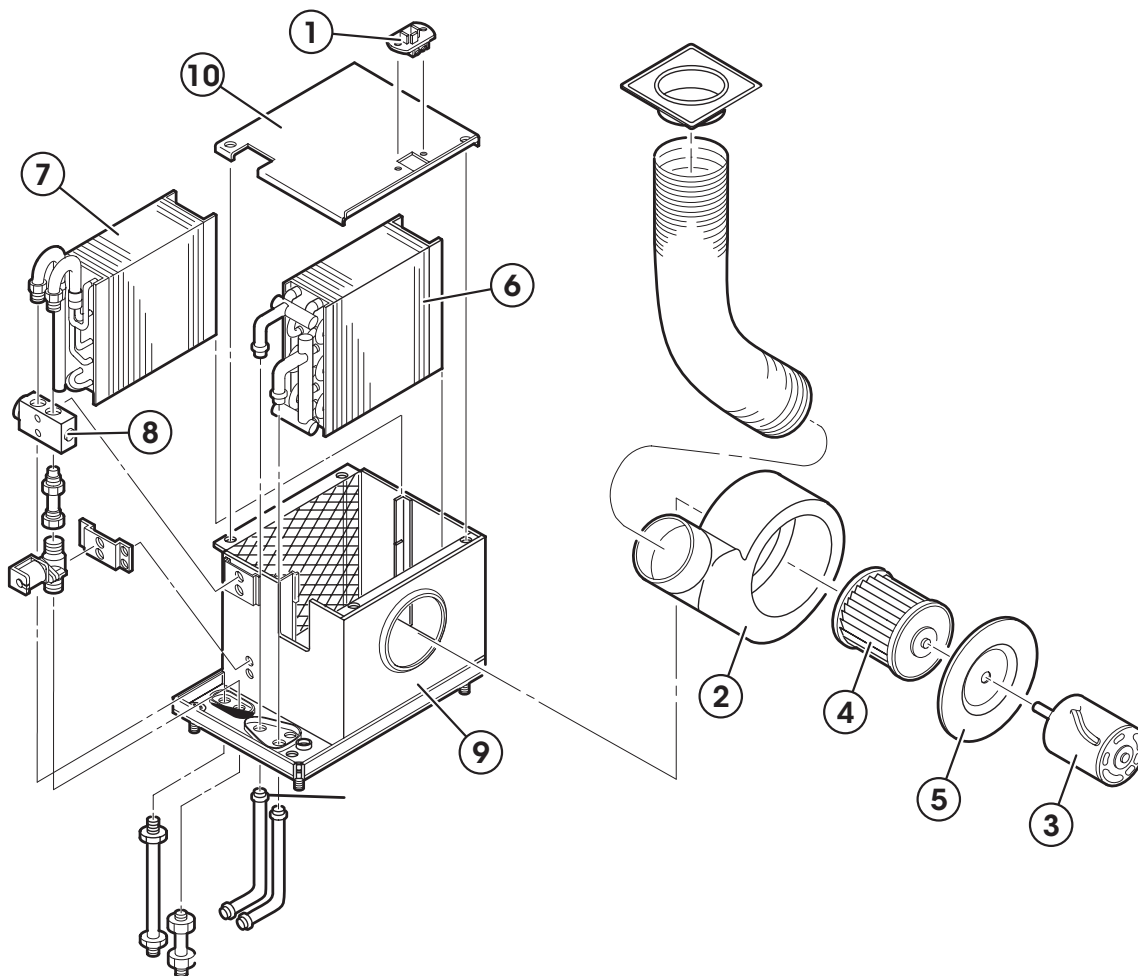




Sleeper Heater-A/C Heater Only Model R-4122-9

SERVICE PARTS LIST

HEATER-A/C



ITEM	NOTE	PART NO.	DESCRIPTION	CAT. NO.
1		RD-5-3647-OP	Resistor	71R1450
2		RD-5-9400-5P	Blower Housing Assembly	
3		RD-5-8203-OP	Motor - 12v	73R0962
4		RD-5-5551-OP	Blower Wheel	73R6391
5		RD-3-4066-OP	Motor Mount	
6		RD-1-0665-OP	Heater Core Assembly	76R2450

ITEM	NOTE	PART NO.	DESCRIPTION	CAT. NO.
7	A	RD-2-1590-OP	Evaporator Assembly	76R6140
8	A	RD-5-6868-OP	Expansion Valve	71R8301
9		RD-3-4072-OP	Housing Assembly	
10		RD-3-4052-OP	Cover Assembly	
	B	RD-3-4743-OP	Wire Harness	

NOTES: A= Heater - A/C Combo Only
B= Not Shown

RED DOT CORPORATION

P.O.Box 58270 Seattle, WA 98138 (206) 575-3840 AMCustomerService@RedDotCorp.com

RD-3-4742-0 (REV C)

FOR REFERENCE ONLY. SUBJECT TO CHANGE WITHOUT NOTICE

KALMAR

R-3310

Complete Heater A/C Upgrade Kit

FOR OTTAWA KALMAR YARDSPOTTERS

Yard trucks, spotters, dogs, mules, shunt trucks—no matter what you call them, Kalmar Ottawa yard vehicles are made for productivity.

Now Red Dot is offering the R-3310 under-dash HVAC unit to help make this work environment even more productive and comfortable. This kit replaces the current heater with the blower mounting under dash. Offering a cool 17,000 BTU's and 290 CFM, the R-3310 produces 25% more airflow over the existing heater. It's an ideal choice when you need an exact-fit replacement that exceeds the performance and reliability of the original.



HEATER-A/C

R-3310 SPECIFICATIONS

BTUS Heating 25,000 BTU/Hr @100 F (7.3 kW @ 37.8 C)
Cooling 17,000 BTU.Hr @ 36 F (5 kW @ 2.2 C)

AIR FLOW 290 CFM (493 m3/h)

VOLTAGE 19.5 amps @ 13.6 VDC

CONTROLS Three lever controls
● Fresh Air/Recirc Air
● Temperature
● Mode

CONDENSER 32" x 23.7" x 1" thick
22,000 BTUs

MOTOR/FAN Vented Ball Bearing

FITS Kalmar Ottawa Yard Spotters
YT-30 Series, 1998 to 2010
Left-hand cab

R-3310 SYSTEM ORDERING GUIDE

KIT NUMBER	R-3310-3P
HVAC UNIT	Included
CONDENSER	Included
INSTALL KIT	Included
MOUNT KIT	Not Included
COMPRESSOR	Not Included

Order Part Number **R-3310-3P**

Included is the heater, evaporator, condenser, and an installation kit. Compressor and mount kit not included.

ON-ROAD

R-5040 BACKWALL

Heater with Air Conditioner Option

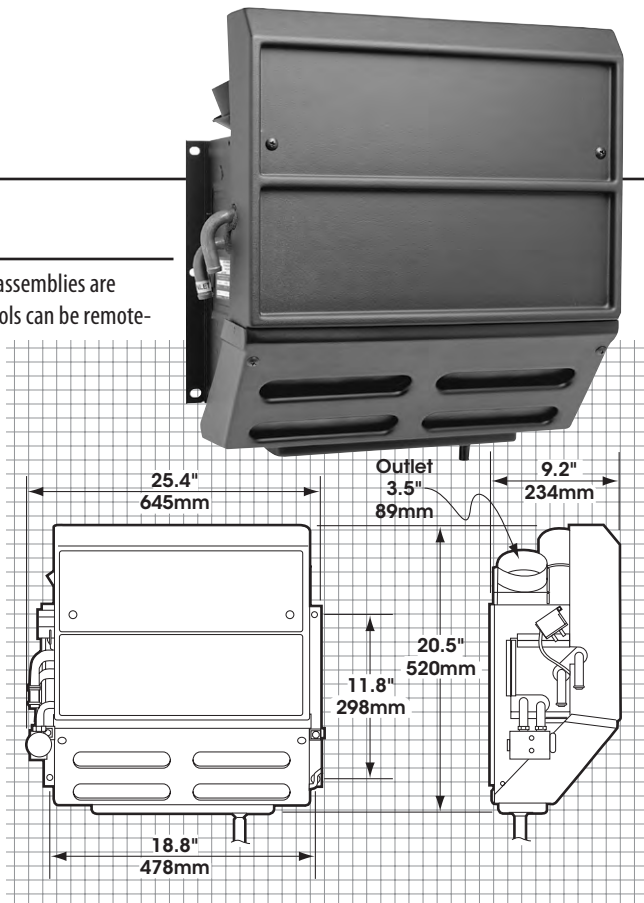
RV • ARMORED CARS •
RESCUE VEHICLES • LARGE CABS

At 425 CFM, the R-5040 is built to heat and cool high-volume interiors. The blower assemblies are easily accessible so the installer can duct the air to where it's needed, and the controls can be remote-mounted for the convenience of the operator.

R-5040 SPECIFICATIONS

BTUs	Heating – 48,000 BTU/Hr @ 100°F (14 kW @ 37°C) air temperature rise Cooling – 32,000 BTU/Hr with 36°F (9.4 kW with 2.2°C) refrigerant temperature and 80°F (26.7°C)
AIR FLOW	425 CFM (722 m ³ /h)
WEIGHT	Heater – 30 lbs. (14 kg) Heater-A/C – 39 lbs. (18 kg)
MOTOR	Two three-speed
CURRENT	27 amps @ 13.6 VDC (includes 4 amps for A/C clutch);
DRAW	14.5 amps @ 27.2 VDC (including 2 amps for A/C clutch)

HEATER-A/C

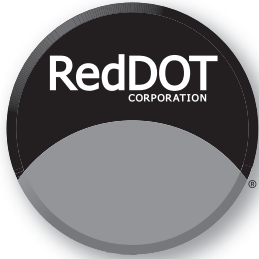


R-5040 SYSTEM ORDERING GUIDE

	R-134a	NOTES
UNITS	R-5040-0P R-5040-2P R-5040-4P R-5040-6P	12 VDC Heater 24 VDC Heater 12 VDC Heater/Air Conditioner 24 VDC Heater/Air Conditioner
CONDENSER	77R0700 - Radiator mount R-9730 - Remote mount	See Condenser Section See Condenser Section
INSTALLATION KIT	78R1070 78R1077 78R1027 78R1025	Rooftop condenser ATCO version Rooftop condenser EZ Clip version Front mount condenser EZ Clip version Front mount condenser ATCO version
COMPRESSOR	Requires compressor and mounting kit	See Compressor Section

OPTIONS: Control Panels (See also 71 Series, Control Panels)

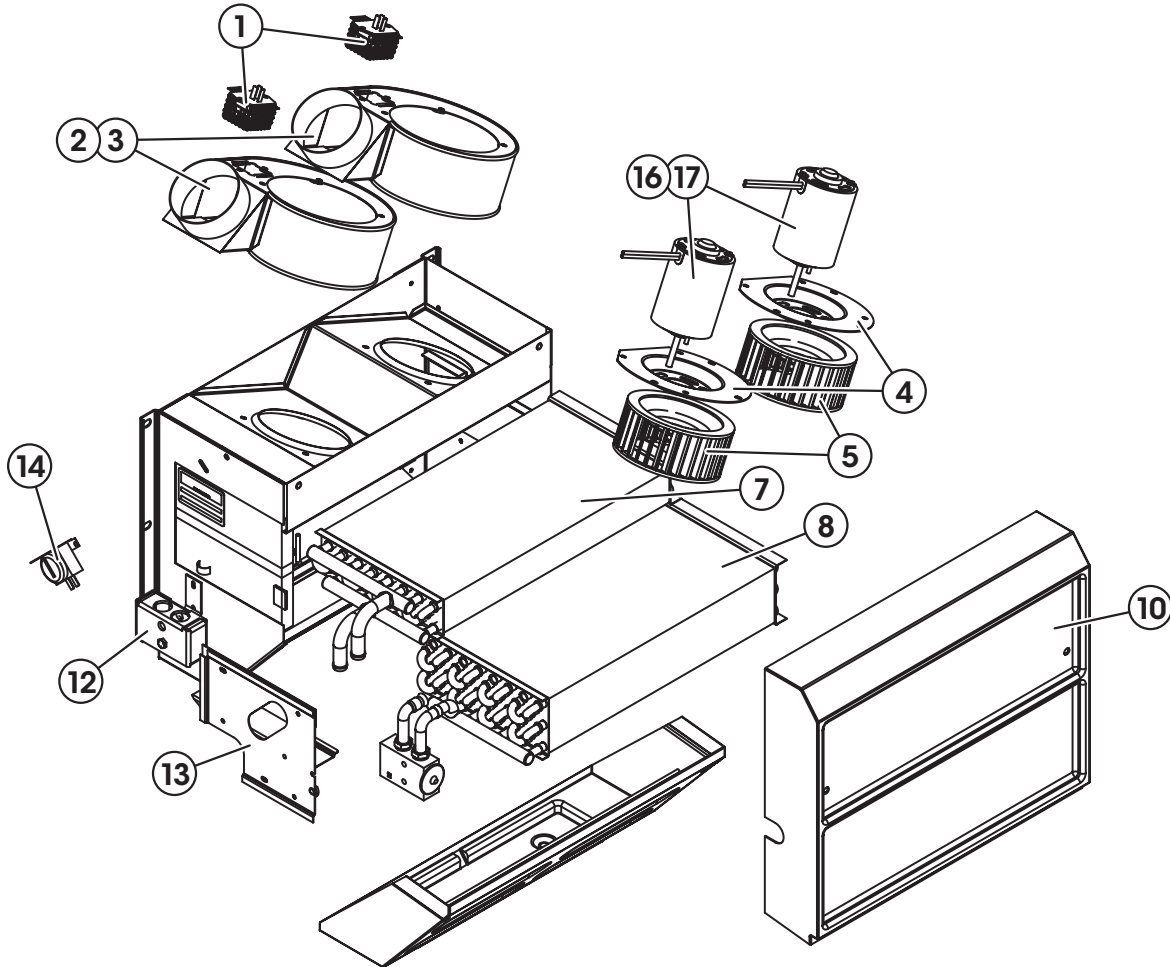
R-5040-0P	71R5821	Heater control - Three-speed motor switch with manual water valve control
R-5040-2P	71R5823	Heater control - Three-speed motor switch with electronic water valve control
R-5040-4P	71R5600	Three-speed motor switch - includes manual water valve control
	71R5605	Three-speed motor switch - includes electronic water valve control
	71R5122	Three-speed motor switch - includes A/C switch and electronic water valve
	71R5812	Automatic Temperature Control - 12 volt
R-5040-6P	71R5600	Three-speed motor switch - includes manual water valve control
	71R5605	Three-speed motor switch - includes electronic water valve control
	71R5122	Three-speed motor switch - includes A/C switch and electronic water valve
	71R5814	Automatic Temperature Control - 24 volt



Heater Model R-5040-0,-2,-4,-6

SERVICE PARTS LIST

HEATER-A/C



ITEM	NOTE	PART NO.	DESCRIPTION	CAT. NO.
1		RD-5-3647-0P	Resistor (2 Req)	71R1450
2		RD-3-3731-0P	Motor Blower Assembly-12v (2 Req)	73R0422
3		RD-3-3731-1P	Motor Blower Assembly-24v (2 Req)	
4		RD-4101-6P	Motor Mount (2 Req)	
5		RD-3106-38P	Blower Wheel (2 Req)	73R6101
6	A	RD-3-2220-0P	Blower Assembly (2 Req)	
7		RD-1-0325-0P	Heater Core	76R3500
8		RD-2-1370-0P	Evaporator Core	76R7070
9		RD-3-2415-2P	Core Cover	

ITEM	NOTE	PART NO.	DESCRIPTION	CAT. NO.
10		RD-3205-29P	Air Intake Cover Assembly	
11	A	RD-5-3550-120P	Drain Hose	78R0070
12		RD-5-6868-0P	Expansion Valve	71R8301
13		RD-3-2652-0P	Core Cover Assembly	
14		RD-5-4531-24P	Thermostat	71R3200
16		RD-5-6526-0P	Motor- 12v (2 Req)	73R0422
17		RD-5-3751-24P	Motor- 24v (2 Req)	73R0454
18	A	RD-5-3948-0P	Label- 24v	

NOTES: A= Not shown

RED DOT CORPORATION

P.O.Box 58270 Seattle, WA 98138 (206) 575-3840 AMCustomerService@RedDotCorp.com

RD-3-2703-0 (REV B)

FOR REFERENCE ONLY. SUBJECT TO CHANGE WITHOUT NOTICE

ON-ROAD

R-5045 BACKWALL

Heater/Air Conditioner Unit

ARMORED CARS • RESCUE VEHICLES • PERSONNEL CARRIERS

Our highest-capacity backwall heater-A/C unit. Originally designed for armored cars, the R-5045 produces 430 CFM and has multidirectional louvers to direct airflow throughout aid cars, delivery trucks, and other vehicles with front and rear compartments. Specify rear air exhaust outlet or fresh-air intake.



HEATER-A/C

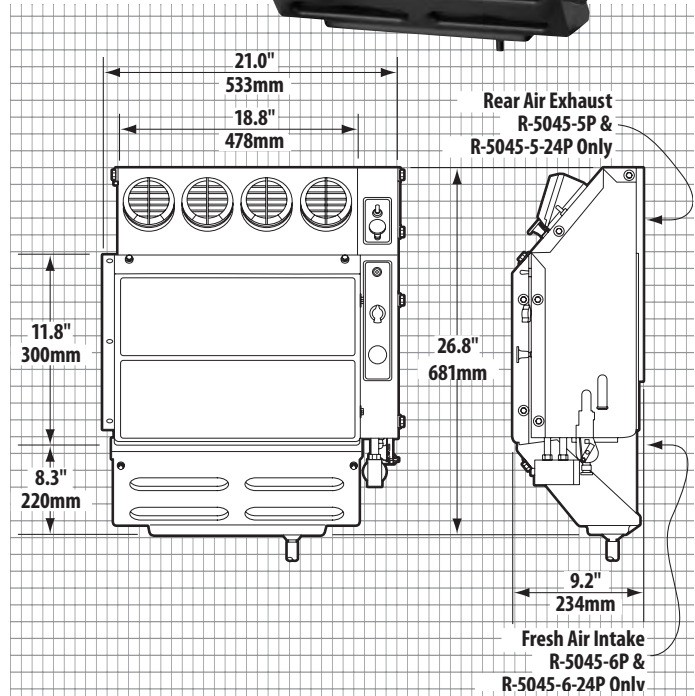
R-5045 SPECIFICATIONS

BTUs	Heating – 46,000 BTU/Hr @ 150°F (13.5 kW @ 66°C) water to air differential Cooling – 33,000 BTU/Hr with 36°F (9.7 kW @ 2.2°C) refrigerant temperature and 80°F (26.7°C) wet bulb entering air
AIR FLOW	430 CFM (730 m³/h)
WEIGHT	47 lbs. (21 kg)
MOTOR	One three-speed
CURRENT	22.5 amps @ 13.6 VDC (includes 4 amps for A/C clutch),
DRAW	11.2 amps @ 27.2 VDC (includes 2 amps for A/C clutch)

OPTIONS:

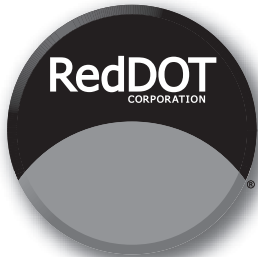
Bulkhead Louver Kit
RD-3-3133-1P
(-5 models only)

Inline Booster Pressurizer
(-6 models only)
see Filters & Pressurizers section



R-5045 SYSTEM ORDERING GUIDE

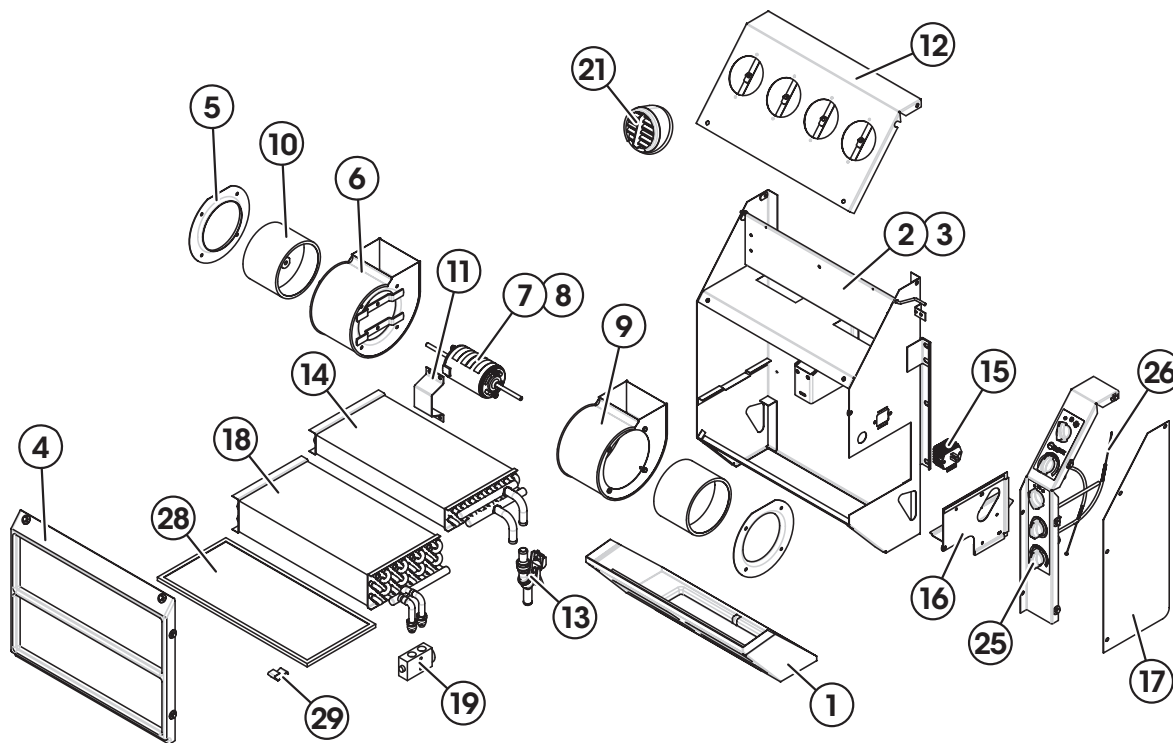
	R-134a	NOTES	
UNIT	R-5045-5P R-5045-5-24P R-5045-6P R-5045-6-24P	12 VDC - Rear Air Exhaust Outlet with rotary controls 24 VDC - Rear Air Exhaust Outlet with rotary controls 12 VDC - Fresh Air Intake 24 VDC - Fresh Air Intake	
CONDENSER	77R0700 R-9730	Radiator mount Remote mount	See Condenser Section See Condenser Section
INSTALLATION KIT	78R1070 78R1077 78R1027 78R1025	Rooftop condenser Rooftop condenser Front mount condenser Front mount condenser	ATCO version EZ Clip version EZ Clip version ATCO version
COMPRESSOR	Requires compressor and mounting kit		See Compressor Section



Backwall Heater-A/C Assembly Model R-5045-5,-6

SERVICE PARTS LIST

HEATER-A/C



ITEM	NOTE	PART NO.	DESCRIPTION	CAT. NO.
1		RD-3205-29P	Air Intake Cover	
2		RD-3-3122-1P	Housing Assembly	
3	B	RD-3-3122-2P	Housing Assembly	
4		RD-3-14440-0P	Core Cover Assembly Front	
5		RD-3-2592-0P	Entring Ring (2)	
6		RD-3-2547-0P	Blower Assembly	
7		RD-5-14184-0P	Motor 12v	
8		RD-5-14189-24P	Motor 24v	
9		RD-3-2547-1P	Blower Assembly	
10		RD-3-2557-2P	Blower Wheel (2)	73R7151
11		RD-3-3174-0P	Retainer - Motor	
12		RD-3-3128-0P	Panel Assembly - Top	
13		RD-5-7760-2P	Water Valve	72R5230
14		RD-1-0325-0P	Heater Core Assembly	76R3500
15		RD-5-3647-0P	Resistor	71R1450

ITEM	NOTE	PART NO.	DESCRIPTION	CAT. NO.
16		RD-3-3315-0P	Cover Assembly - Core Side (Heater A/C)	
17		RD-3-3131-4P	Plate Assembly Side	
18		RD-2-1370-0P	Evaporator Assembly	76R7070
19		RD-5-6868-0P	Expansion Valve	71R8301
20	A	RD-5-3550-120P	Drain Hose	
21		RD-5-5223-2P	Air Diffuser Assembly (4)	
22	A	RD-4125-36P	Thermostat	71R2250
23	A	RD-5-9013-0P	Switch- Rotary, 3 Position	
24	A	RD-5-11783-0P	Switch- Fan Speed, Rotary	
25		RD-5-8812-0P	Knob- Control, Rotary	71R4015
26	A	RD-5-7999-0P	Converter- Cable, Control	72R9000
27	C	RD-5-5222-0P	Louver Assembly	72R3111
28		RD-5-5428-1P	Filter	78R5400M
29		RD-3-3753-0P	Clip Filter (2)	

NOTES: A= Not shown B=for unit R-5045-6 ONLY C=Purchase Separately

RED DOT CORPORATION

P.O.Box 58270 Seattle, WA 98138 (206) 575-3840 AMCustomerService@RedDotCorp.com

RD-5-13444-0 (REV A)

FOR REFERENCE ONLY. SUBJECT TO CHANGE WITHOUT NOTICE

OFF-ROAD

R-5075 BACKWALL

Heater/Air Conditioner Unit

CONSTRUCTION • MINING • AGRICULTURE

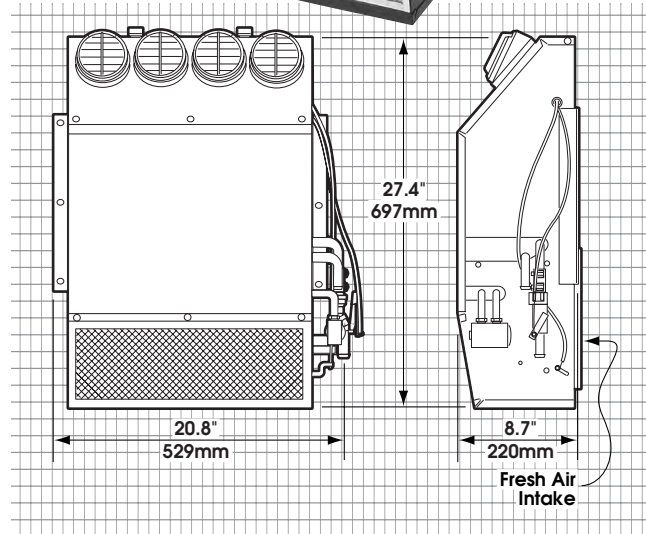
The R-5075 packages the performance and durability of our R-5045 heater-A/C unit into a robust metal housing for off-road equipment cabs. This unit has fresh-air intake and options include an in-line booster blower for a pressurized, dust-free cab.



HEATER-A/C

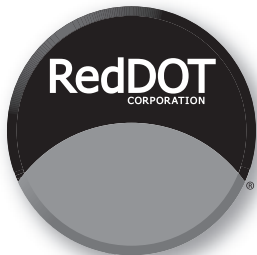
R-5075 SPECIFICATIONS

BTUs	Heating – 46,000 BTU/Hr @ 150°F (13.5 kW @ 66°C) water to air differential Cooling – 33,000 BTU/Hr with 36°F (9.7 kW w/ 2.2°C) refrigerant temperature and 80°F (26.7°C) wet bulb entering air
AIR FLOW	430 CFM (730 m³/h)
WEIGHT	47 lbs. (21 kg)
MOTOR	One three-speed
CURRENT	21.8 amps @ 13.6 VDC (includes 4 amps for A/C clutch)
DRAW	10.9 amps @ 27.2 VDC (includes 2 amps for A/C clutch)



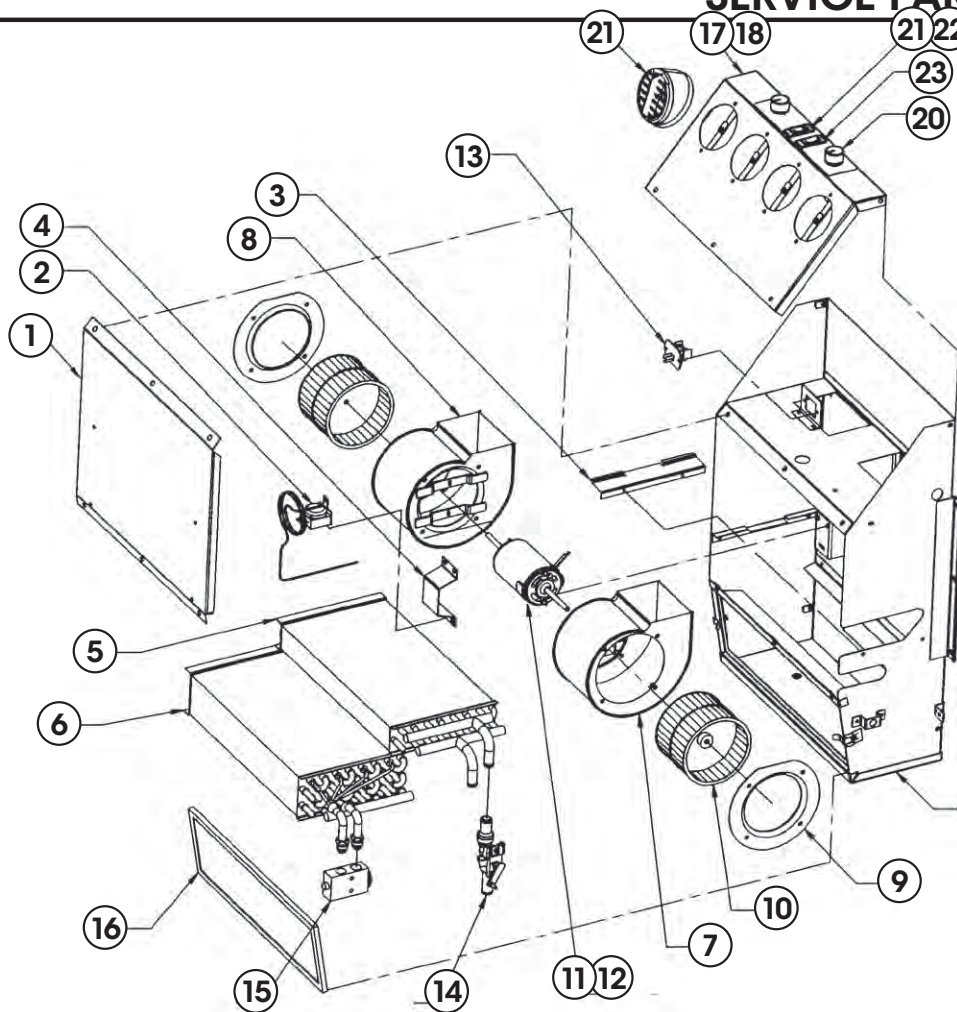
R-5075 SYSTEM ORDERING GUIDE

	R-134a	NOTES	
UNIT	R-5075-0P R-5075-0-24P	12 VDC 24 VDC	
CONDENSER	77R0700 - Radiator mount R-9730 - Remote mount	See Condenser Section See Condenser Section	
INSTALLATION KIT	78R1070 78R1077 78R1027 78R1025	Rooftop condenser Rooftop condenser Front mount condenser Front mount condenser	ATCO version EZ Clip version EZ Clip version ATCO version
OPTIONS	Replacement Recirc Filter Replacement Fresh Air Intake Filter Fresh Air Intake	78R5360 78R5320 78R5150	
COMPRESSOR	Requires compressor and mounting kit		See Compressor Section



Heater Air Conditioner Model R-5075-0

SERVICE PARTS LIST



ITEM	NOTE	PART NO.	DESCRIPTION	CAT. NO.
1		RD-3-7244-OP	Cover Assembly Core	
2		RD-4427-24P	Thermostat	71R3100
3		RD-3-7252-OP	Retainer-Core	
4		RD-3-3174-OP	Retainer-Motor	
5		RD-1-0325-OP	Heater Core Assembly	76R3500
6		RD-2-1370-OP	Evaporator Core Assembly	76R7070
7		RD-3-2547-OP	Blower Assembly	
8		RD-3-2547-1P	Blower Assembly	
9		RD-3-2592-OP	Entry Ring	
10		RD-3-2557-2P	Blower Wheel	73R7151
11		RD-5-14189-0P	Motor-12 Volt	73R4322
12		RD-5-14189-24P	Motor-24 Volt	73R4324

ITEM	NOTE	PART NO.	DESCRIPTION	CAT. NO.
13		RD-5-3647-0P	Resister-Speed Control	71R1450
14		RD-5-7760-0P	Valve-Water Cable Operated	72R5250
15		RD-5-6868-0P	Valve-R-1.34a/R12 Compatible	71R8301
16		RD-5-8076-0P	Filter-Air 17.5x5.5x.34 Thick	78R5360
17		RD-3-7254-0P	Plenum Assembly Control Panel 12 Volt	
18		RD-3-7254-1P	Plenum Assembly Control Panel 24 Volt	
19		RD-5-5223-2P	Air Diffuser Assembly	
20		RD-5-8043-27.80P	Converter-Cable Control	
21		RD-5-7183-0P	Switch-Mode Off-On-On 24 Volt	71R0854
22		RD-5-7181-0P	Switch-Rocker Fan On-On-On	71R0872
23		RD-5-8075-0P	Knob-Control Deep Recess	71R4060

HEATER-A/C

RED DOT CORPORATION

P.O.Box 58270 Seattle, WA 98138 (206) 575-3840 AMCustomerService@RedDotCorp.com

RD-5-8074-0 (REV D)

FOR REFERENCE ONLY. SUBJECT TO CHANGE WITHOUT NOTICE

ON-ROAD

R-6101 Rooftop

Air Conditioner Unit

COMMERCIAL TRUCKS •
CONSTRUCTION • AGRICULTURE



The R-6101 is a lightweight, high-capacity unit with a styled low profile.

Our engineers set out to create a sleek, low profile housing that would look right at home on today's truck and heavy-equipment cabs. The injection-molded housing has pockets to hold the receiver drier, blower assembly, and evaporator core, so they're simpler to replace. A 12-inch Spal fan, dual-scroll/dual-inlet Spal blower, rifled-tube evaporator and a parallel flow condenser contribute to the improved performance.



Low profile ceiling plenum blends with any interior.

HEATER-A/C

R-6100 SPECIFICATIONS

BTUs	Cooling – 21,300 BTU @ 100°F (6.2kw @ 37.8°C) air temperature rise
AIR FLOW	299 CFM (508 m3/h)
WEIGHT	40lbs (18.1kg)
CURRENT	25.7 amps @ 13.6 VDC
DRAW	12.9 amps @ 27.2 VDC
CONTROLS	Three speed blower

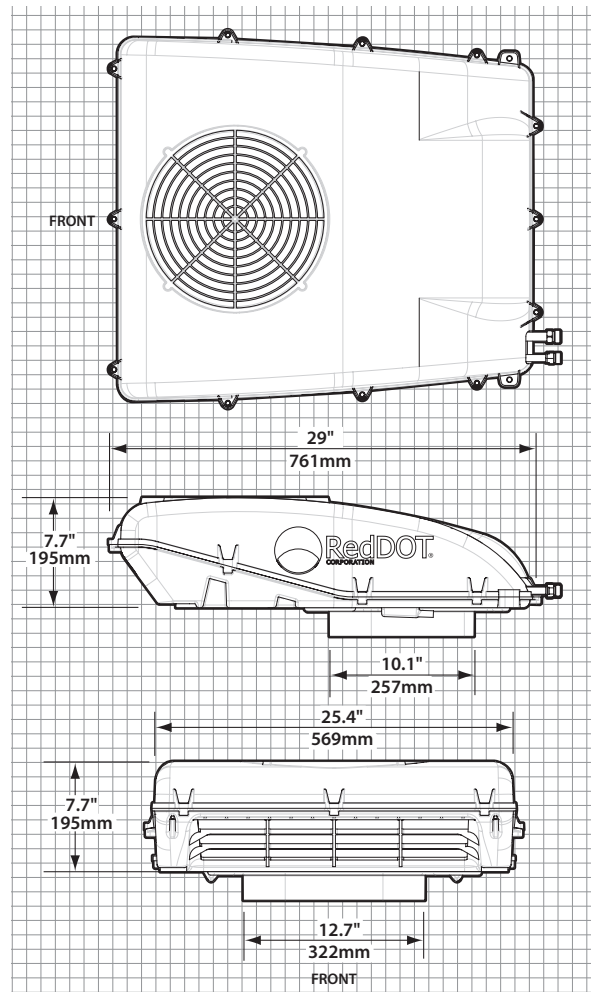
R-6100 SYSTEM ORDERING GUIDE

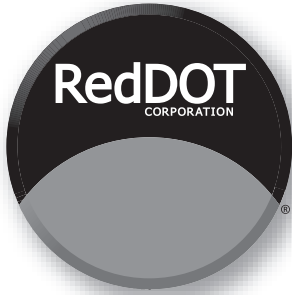
	R-134a	NOTES
UNITS	R-6101-0P R-6101-0-24P	12 VDC 24 VDC
CONDENSER	Contained in R-6100 unit	
INSTALLATION KIT	78R1505 78R1077	Refrigerant hose and fittings, etc. * Rooftop condenser **
OPTIONS	Universal Roof Mount Kit Replacement Recirc. Filter Replacement Receiver Drier Replacement Plenum	RD-2-1302-0P *** 78R5300 74R2546 RD-2-5974-0P
COMPRESSOR	Requires compressor and mounting kit See Compressor Section	

* ATCO version

** EZ Clip version

*** Relocates unit mounting bolts to pick up integral roof bracing

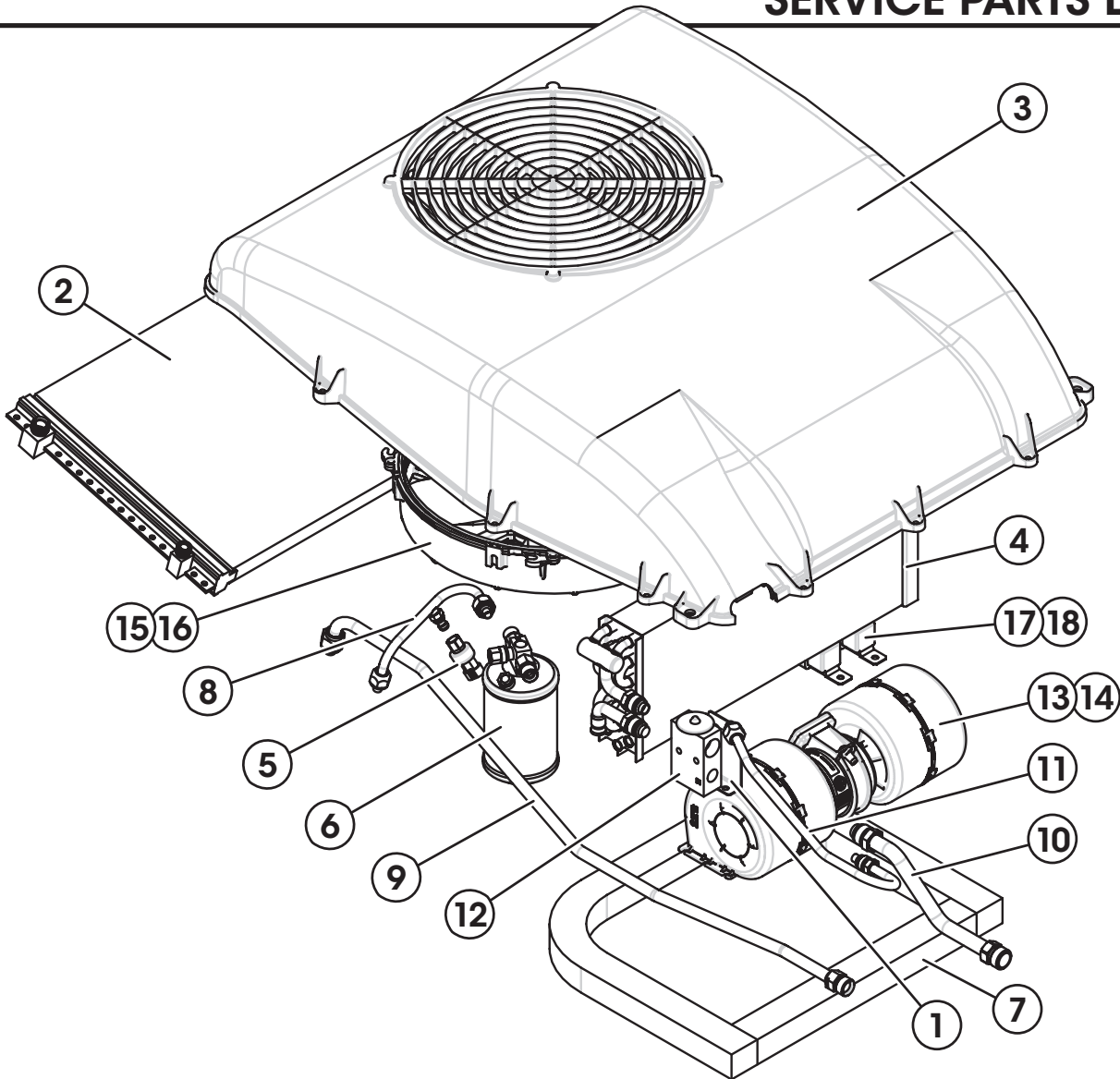




Air Conditioner Model R-6101

SERVICE PARTS LIST

HEATER-A/C



ITEM	NOTE	PART NO.	DESCRIPTION
1		RD-3-19432-OP	Bracket - TXV Support
2		RD-4-7337-OP	Condenser - Multi Flow
3		RD-3-19087-OP	Cover - Housing
4		RD-2-7179-OP	Evaporator Assembly
5		RD-5-11990-OP	Pressure Switch - Dual Function
6		RD-5-9419-1P	Receiver/Drier R-134a
7		RD-5-15378-OP	Seal Assembly - Roof
8		RD-4-7341-OP	Tube - #6 Cond To Drier
9		RD-4-7340-OP	Tube - #8 Inlet To Condenser
10		RD-2-7193-OP	Tube - 5/8 Suction

ITEM	NOTE	PART NO.	DESCRIPTION
11		RD-2-7192-OP	Tube - Drier To TXV
12		RD-5-6868-OP	Valve - Expansion R134a
13	B	RD-5-8837-OP	Motor Blower Assembly - Double, 12v
14	C	RD-5-8838-OP	Motor Blower Assembly - Double, 24v
15	B	RD-5-9076-2P	Fan/Motor Assembly - 12" Pusher 12v
16	C	RD-5-9076-3P	Fan/Motor Assembly - 12" Pusher 24v
17	B	RD-5-6690-OP	Relay - 12v with Metripak Shroud
18	C	RD-5-6693-OP	Relay - 24v with Metripak Shroud
	A,B	RD-3-19407-1P	Wire Harness - Condenser/AC, 24v
	A,C	RD-3-19407-OP	Wire Harness - Condenser/AC, 12v

NOTES: A= Not shown B=for unit R-6101-0 (12V) ONLY C=for unit R-6101-1 (24V) ONLY

ON/OFF-ROAD

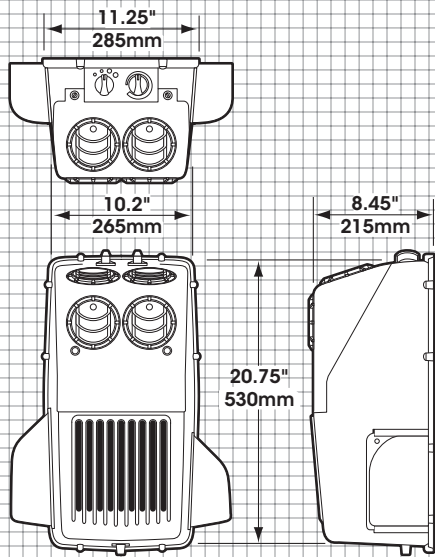
R-6840 Backwall

Air Conditioner Unit

VANS • COMMERCIAL TRUCKS • INDUSTRIAL • CONSTRUCTION • AGRICULTURE

Our R-6840 backwall air conditioner uses Red Dot's advanced coil and blower technology to produce the highest capacity possible from a compact wall-mounted unit. The resin housing is tough and good-looking—perfect for cabs where performance and fit and finish are important. Multidirectional diffusers send air where you need it. Floor support kit available.

HEATER-A/C



R-6840 shown with optional floor support kit, plumbing covers and filter

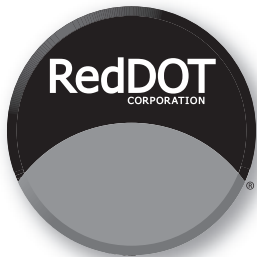


R-6840 SPECIFICATIONS

BTUs	Cooling – 22,300 BTU/Hr with 36°F (6.5 kW with 2.2°C) refrigerant temperature and 80°F (26.7°C) wet bulb entering air
AIR FLOW	325 CFM (552 m ³ /h)
WEIGHT	16 lbs. (7.3 kg)
CURRENT	18.6 amps @ 13.6 VDC (includes 4 amps for A/C clutch);
DRAW	9.5 amps @ 27.2 VDC (including 2 amps for A/C clutch)
CONTROLS	High-low motor speed, four adjustable louvers, adjustable thermostat

R-6840 SYSTEM ORDERING GUIDE

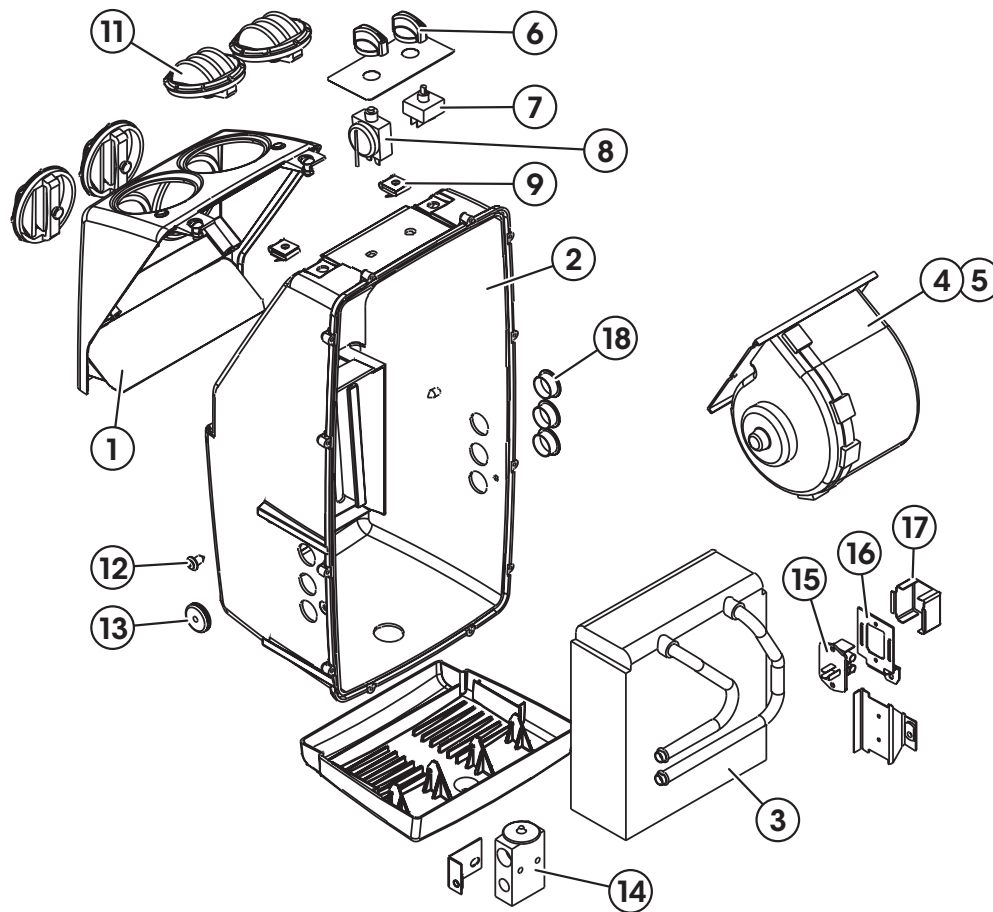
	R-134a	NOTES
UNITS	R-6840-0P R-6840-0-24P	12 VDC – Variable Thermostat 24 VDC – Variable Thermostat
CONDENSER	R-6160 - Roof Mount 77R0650 - Radiator Mount	See Unit Condenser Section See Condenser Section
INSTALLATION KIT	78R1070 78R1077 78R1027 78R1025	Rooftop condenser ATCO version Rooftop condenser EZ Clip version Front mount condenser EZ Clip version Front mount condenser ATCO version
OPTIONS	Floor Support Kit Plumbing Covers (left and right) Recirc Filter Remote Control Panel Kit	RD-2-3673-0P RD-2-3515-0P RD-2-3683-0P RD-2-3674-0P
COMPRESSOR	Requires compressor and mounting kit	See Compressor Section



Air Conditioner Model R-6840-0

SERVICE PARTS LIST

HEATER-A/C



ITEM	NOTE	PART NO.	DESCRIPTION	CAT. NO.
1		RD-2-3637-OP	Housing- Cover	
2		RD-2-3638-OP	Housing	
4		RD-2-5125-1P	Evaporator Core	76R7555
5		RD-5-9194-OP	Motor Blower Assembly- 12v	73R5572
6		RD-5-9194-1P	Motor Blower Assembly- 24v	73R5584
7		RD-5-8812-OP	Knob- Rotary Control	71R4015
8		RD-5-9833-OP	Switch- 3 Speed, Rotary (25 amp)	71R1160
9		RD-4125-36P	Thermostat	71R2250
10		RD-5-5355-OM	Receptacle- 1/4 Turn	
11		RD-5-8436-OP	Louver	72R3120
12		RD-5-8303-OP	Rivet- Plastic, Removable	73R0072

ITEM	NOTE	PART NO.	DESCRIPTION	CAT. NO.
13		RD-5-9843-OP	Grommet	
14		RD-5-6868-OP	Expansion Valve- 134g	71R8301
15		RD-5-3647-OP	Resistor- Speed Control	71R1450
16		RD-2-3647-OP	Bracket- Resistor	71R1450
17		RD-3-8113-OM	Resistor Guard	
18		RD-5-5688-OP	Button- Plug, 1.00 DIA	78R2090
19	A	RD-5-5260-0-.500	Screw- #8 Plastite Hex. HD	
20	A	RD-5-5261-0-.750	Screw-#12 Plastite Hex. HD	
21	A	RD-2-3683-OP	Filter	78R5291
22	A	RD-2-3673-OP	Floor Support- Kit	
23	A	RD-2-3515-OP	Plumbing Covers	

NOTES: A= Not shown

RED DOT CORPORATION

P.O.Box 58270 Seattle, WA 98138 (206) 575-3840 AMCustomerService@RedDotCorp.com

RD-2-5754-0-0 (REV A)

FOR REFERENCE ONLY. SUBJECT TO CHANGE WITHOUT NOTICE

ON/OFF-ROAD

R-7830 Backwall

Air Conditioner Unit

VANS • COMMERCIAL TRUCKS • INDUSTRIAL • CONSTRUCTION • AGRICULTURE

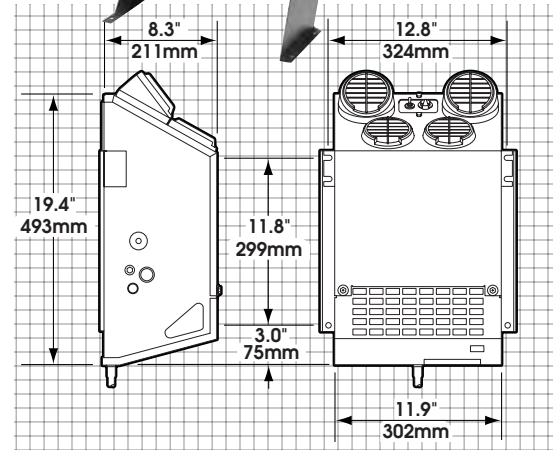
The R-7830 easily fits between the seats to mount to a bulkhead or back wall of a day cab, or can be front-dash mounted where a flat space permits. The welded steel housing provides protection yet allows easy access to components. Multidirectional diffusers send air where you need it. Floor support kit available.



HEATER-A/C

R-7830 SPECIFICATIONS

BTUs	Cooling – 17,180 BTU/Hr with 36°F (5 kW with 2.2°C) refrigerant temperature and 80°F (26.7°C) wet bulb entering air
AIR FLOW	260 CFM (442 m ³ /h)
WEIGHT	25 lbs. (11 kg)
CURRENT	18 amps @ 13.6 VDC (includes 4 amps for A/C clutch);
DRAW	9 amps @ 27.2 VDC (including 2 amps for A/C clutch)
CONTROLS	High-low motor speed, four adjustable louvers, adjustable thermostat



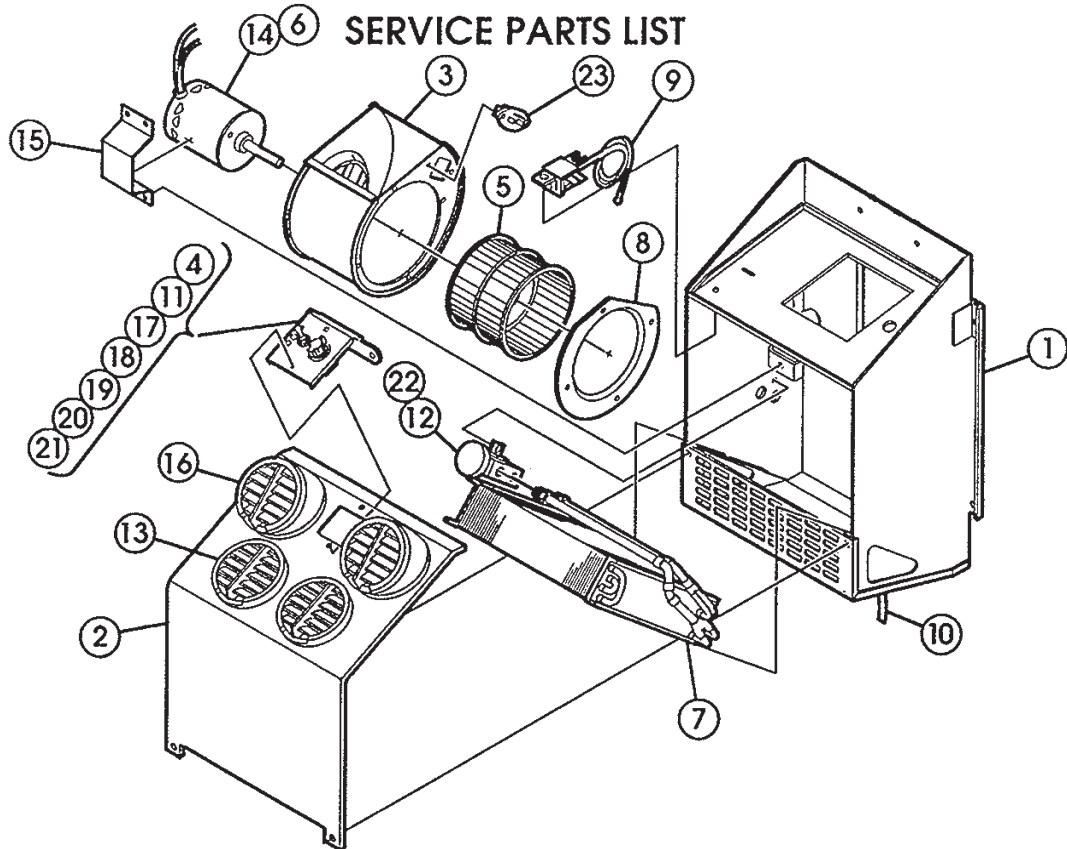
R-7830 SYSTEM ORDERING GUIDE

	R-134a	NOTES
UNITS	R-7830-0P R-7830-0-24P	12 VDC – Variable Thermostat 24 VDC – Variable Thermostat
CONDENSER	R-6160-0P - Roof Mount R-6160-0-24P - Roof Mount 77R0650 - Radiator Mount	12 VDC – See Units Condenser Section 24 VDC – See Units Condenser Section See Condenser Section
INSTALLATION KIT	78R1070 78R1077 78R1027 78R1025	Rooftop condenser ATCO version Rooftop condenser EZ Clip version Front mount condenser EZ Clip version Front mount condenser ATCO version
OPTIONS	Floor Support Kit Recirc Filter Kit	RD-2-1398-0P 78R5390
COMPRESSOR	Requires compressor and mounting kit	See Compressor Section

INSTALLATION TIPS

IDEAL FOR MOUNTING VERTICALLY BETWEEN THE SEATS ON THE BACK WALL OF A TRUCK CAB, OR THE SIDE WALL OF AN OFF-HIGHWAY CAB ON CABS WHERE EXTRA SUPPORT IS REQUIRED TO COMPLETE INSTALLATION, MOUNT SUPPORT KIT RD-2-1398-0 SHOULD BE USED TO SIMPLIFY INSTALLATION.

- NOTES: 1. REINFORCING MAY BE REQUIRED WHEN MOUNTING DIRECTLY TO CAB WALL.
 2. DUE TO THE WIDE VARIETY OF CONDITIONS FOUND IN OFF HIGHWAY APPLICATIONS, IT IS RECOMMENDED THAT A TRIAL INSTALLATION BE MADE TO DETERMINE IF THESE PRODUCTS ARE SUITABLE TO A PARTICULAR APPLICATION.



SERVICE PARTS LIST

ITEM	NOTE	PART NO.	DESCRIPTION	CAT. NO.	ITEM	NOTE	PART NO.	DESCRIPTION	CAT. NO.
1		RD-2-1389-0	HOUSING ASSY.		13		RD-5-5222-0	DIFFUSER (2)	
2		RD-2-1387-0	HOUSING COVER ASSY		14	C	RD-5-4827-24	MOTOR (24V)	
3		RD-2-1315-0	BLOWER SCROLL ASSY		15		RD-3-3174-0	RETAINER - MOTOR	
4	A	RD-2-1393-0	LABEL CONTROL PANEL		16		RD-5-5223-2	DIFFUSER ASSY. (2)	
5		RD-3-2557-0	BLOWER WHEEL	73R 7150	17	A	RD-4125-36	THERMOSTAT	71R 2250
6		RD-5-3753-1	MOTOR (12V)	73R 0402	18	A	RD-5-5928-0	KNOB	71R 4050
7		RD-2-1316-0	EVAPORATOR ASSY.	76R 6350	19	B	RD-2-1392-0	LABEL CONT. PNL. (FIXED)	
8		RD-2-1354-0	AIR ENTRY RING		20	A	RD-2-1487-0	CONTROL PANEL ASSY.	
9	B	RD-5-4531-24	THERMOSTAT	71R 3200	21	B	RD-2-1487-1	CONTROL PANEL ASSY.	
10		RD-5-3550-120	DRAIN HOSE	78R 0070	22		RD-2-1487-1	CONTROL PANEL ASSY.	
11		RD-5-3599-0	SWITCH	71R 0200	23		RD-4157-0	EXPANSION VALVE (R-12)	71R 8300
12		RD-5-6868-0	EXPANSION VALVE (R-134a)	71R 8300			RD-5-3647-0	RESISTOR	71R 1450

A. VARIABLE THERMOSTAT MODEL B. FIXED SET THERMOSTAT MODEL C. 24 VOLT APPLICATION

RED DOT CORPORATION

P.O.Box 58270 Seattle, WA 98138 (206) 575-3840 AMCustomerService@RedDotCorp.com

RD-2-5754-0-0 (REV A)

FOR REFERENCE ONLY. SUBJECT TO CHANGE WITHOUT NOTICE

INTERNATIONAL

R-8230 Underdash

Heater/Air Conditioner Unit

NAVISTAR INTERNATIONAL S, 4000, 7000, and 8000 SERIES TRUCKS, 1983–1994

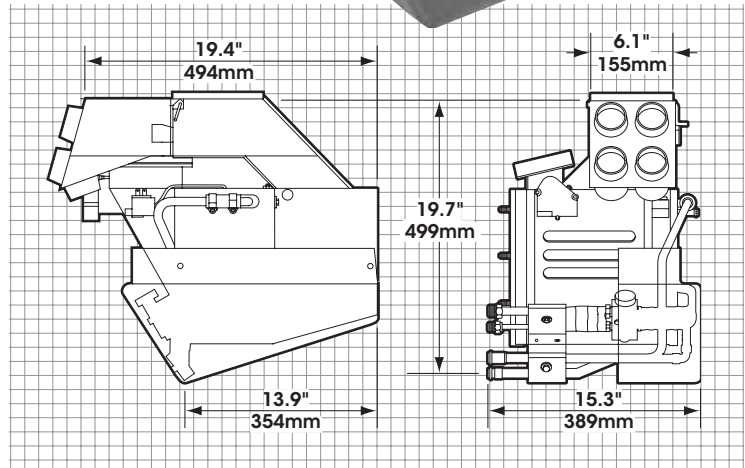
The R-8230 exceeds the performance of the original system and has styling to match the factory dash. Includes the "Max A/C" and "Defrost Interlock" features not offered from the factory. Mounts directly to the firewall and mates to existing inlet and outlet ducting.



HEATER-A/C

R-8230 SPECIFICATIONS

BTUs	Heating – 29,700 BTU/Hr at 100°F (kw 8.70 at 37.8°C) air temperature rise Cooling – 22,400 BTU/Hr with 36°F (kw 6.56 with 2.2°C) refrigerant temperature and 80°F (26.7°C) wet bulb entering air
AIR FLOW	265 CFM (450 m³/h)
WEIGHT	48 lbs. (22 kg)
MOTOR	Permanent magnet
CURRENT DRAW	19.5 amps at 13.6 VDC (includes 4 amps for A/C clutch)
MODEL	R-8230-0
NOTE	BTU's and air flow in installed conditions. Not for viscous fan applications.



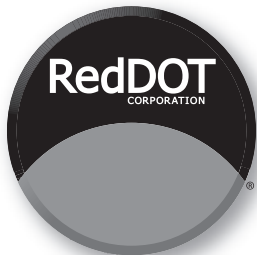
R-8230 SYSTEM ORDERING GUIDE

Heater A/C Kit	Vehicle	Engine	Steering	Brakes	Compressor	Compressor Mount Kit
R-8230-0P for Vehicles 1983–1994	Series 4600 Through 8100 "S" Series 1600 Through 2600	V/8 International 6.9 Liter, & 7.3 Liter	Standard/Power		75R8612 (134A)	75R9530
		6 Cylinder IHC DT466, DTA466, DT360 or DTA360	Standard/Power	Air	75R8612 (134A)	75R9980
		6 Cylinder IHC DT466, DTA466	Standard/Power	Hydraulic	75R8612 (134A)	75R9980
		6 Cylinder IHC DT360, DTA 360	Standard/Power	Hydraulic	75R8612 (134A)	75R9980
		Cummins 6 Cyl L-10 "S" Series	Power	Air	75R8612 (134A)	75R9540
		1994-1997 DT408/DT466 (will not work on DT466E)			75R8612 (134A)	75R9985

For complete kits order one Heater-Air Conditioner Kit, Compressor, Compressor Mount Kit. Not for viscous applications.

Kits Include:

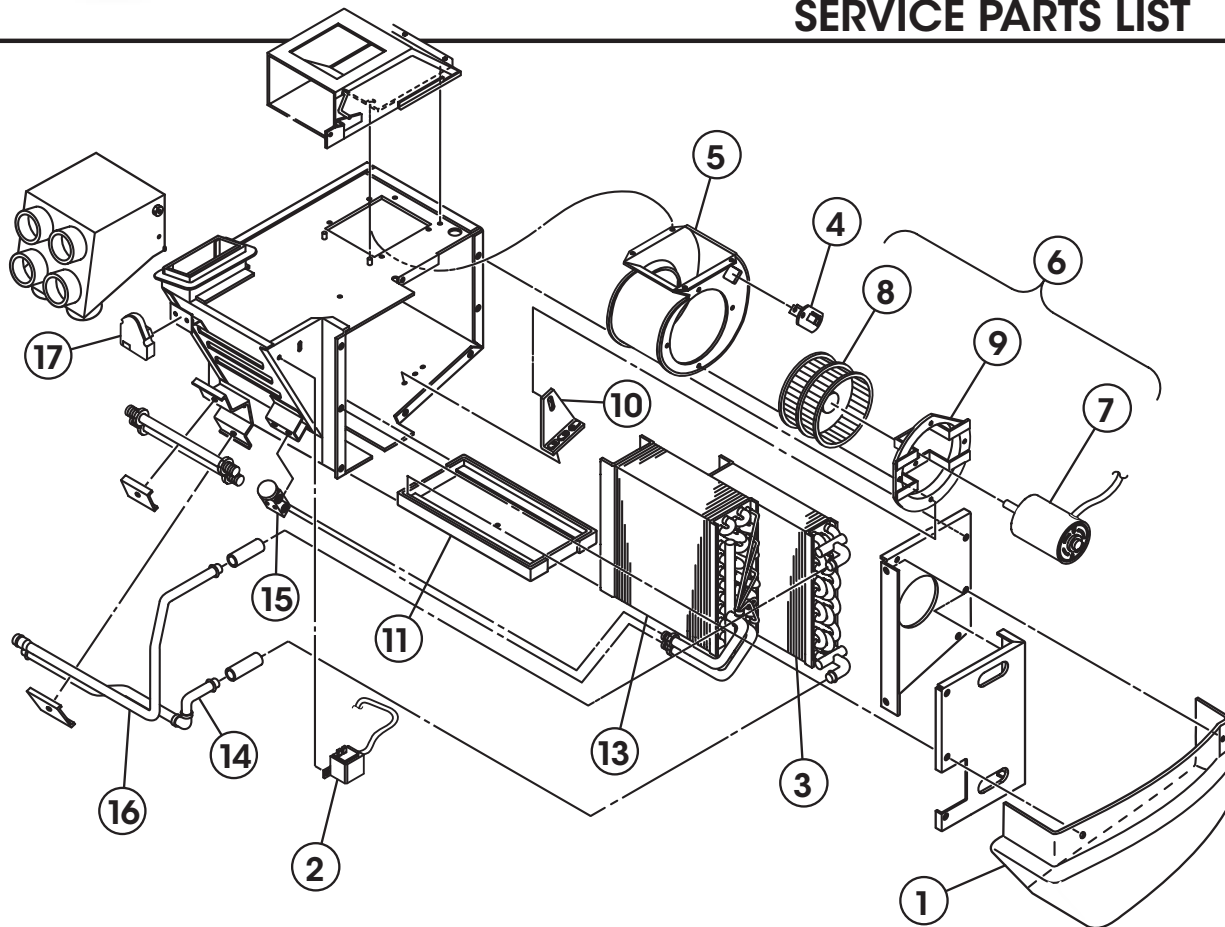
- Heater A/C Unit
- Heater Hose and Water Valve
- Refrigerant Hose & Fittings
- High Capacity Receiver Drier
- Trinary™ Protection Switch
- Wiring Harness
- Condenser
- Miscellaneous Installation Hardware and Brackets



Underdash Heater-Air Conditioner Model R-8230-0

SERVICE PARTS LIST

HEATER-A/C



ITEM	NOTE	PART NO.	DESCRIPTION	CAT. NO.
1		RD-3-4790-2P	Trim Cover Assembly	
2		RD-5-4531-24P	Thermostat-Side Mount	71R3200
3		RD-1-0700-0P	Heater Core Assembly	76R3910
4		RD-5-3647-0P	Resistor	71R1450
5		RD-3-4710-0P	Blower Housing Assembly	
6		RD-3-4776-0P	Motor Blower Assembly	
7		RD-5-6526-0P	Motor - 12V	73R0422
8		RD-3-2557-2P	Blower Wheel	73R7151
9		RD-3-4730-0P	Entry Ring Assembly	
10		RD-3-4720-0P	Bracket Assembly - Blower Support	
11		RD-3-4715-0P	Drain Pan Assembly	

ITEM	NOTE	PART NO.	DESCRIPTION	CAT. NO.
12	A	RD-5-3550-120P	Drain Hose	78R0070
13		RD-2-1616-0P	Evaporator Assembly	76R7520
14		RD-1-0723-0P	Tube Assembly Inlet Heater Core	
15		RD-5-6868-0P	Expansion Valve	71R8301
16		RD-1-0722-0P	Tube Outlet Heater Core	
17		RD-5-6320-0P	Motor Actuator	71R3575
18	A	RD-5-4408-0P	Relay 12V	71R1702
19	A	RD-5-6220-0P	Louver Assembly (4)	72R2105
20	A	RD-5-3758-0P	Ball Louver Assembly (2)	72R2550
21	A	RD-3-5390-0P	A/C Mode Switch	
22	A	RD-5-7760-1P	Water Valve	72R5220

NOTES: A= Not shown B=for unit R-6145-2 ONLY C=for unit R-6145-3 ONLY

RED DOT CORPORATION

P.O.Box 58270 Seattle, WA 98138 (206) 575-3840 AMCustomerService@RedDotCorp.com

RD-3-5431-0 (REV D)

FOR REFERENCE ONLY. SUBJECT TO CHANGE WITHOUT NOTICE

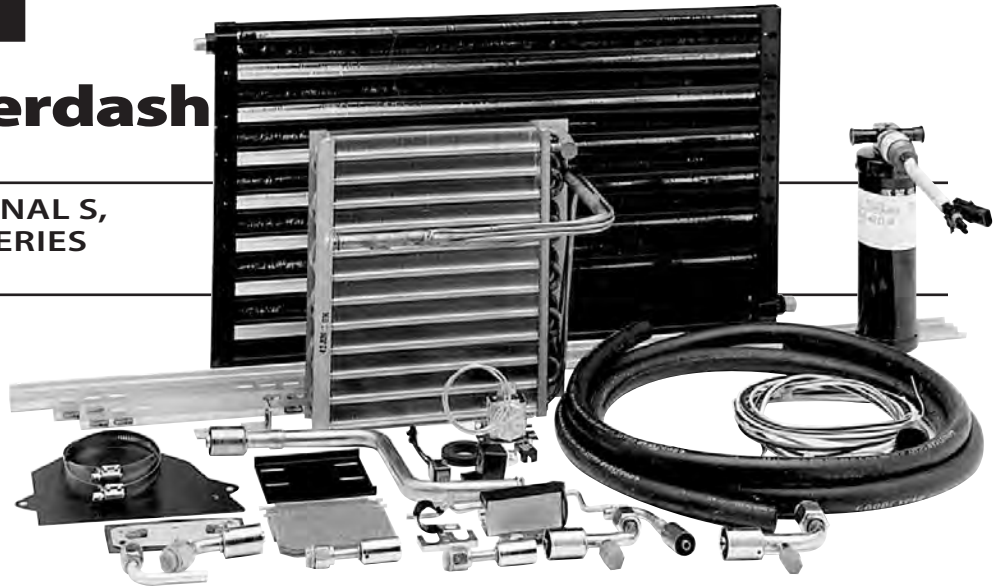
INTERNATIONAL

R-8235 Underdash

Drop-In Evaporator Kit

**NAVISTAR INTERNATIONAL S,
4000, 7000, and 8000 SERIES
TRUCKS, 1995-2002**

The R-8235 drop-in evaporator kit integrates with the OEM housing and blower motor assembly and meets all factory specifications. R-134a compatible.



HEATER-A/C

R-8235 SYSTEM ORDERING GUIDE

Heater A/C Kit	Engine	Steering	Brakes	Compressor	Compressor Mount Kit No.
R-8235-OP or Vehicles	Series 4600 through 8100 "S" Series 1600 through 2600 1995 to 2002	V8 International 6.9 Liter, & 7.3 Liter	Standard/Power	75R8612 (134A)	75R9530
	6 Cylinder IHC DT466, DTA466, DT360 or DTA360	Standard/Power	Air	75R8612 (134A)	75R9980
	6 Cylinder IHC DT466, DTA466	Standard/Power	Hydraulic	75R8612 (134A)	75R9980
	6 Cylinder IHC DT360, DTA 360	Standard/Power	Hydraulic	75R8612 (134A)	75R9980
	Cummins 6 Cylinder L-10 "S" Series	Power	Air	75R8612 (134A)	75R9540
	1995-1997 DT408/DT466 (will not work on DT466E)			75R8612 (134A)	75R9985

**For complete kits order one Heater-Air Conditioner Kit, Compressor, Compressor Mount Kit.
Not for viscous applications.**

Kits Include:

- Heater A/C Unit
- Heater Hose and Water Valve
- Refrigerant Hose & Fittings
- High Capacity Receiver Drier
- Trinary™ Protection Switch
- Wiring Harness
- Condenser
- Miscellaneous Installation Hardware and Brackets

NOTE A: Tecumseh Compressors require 75R1202 Clutch and one each (Service Valves and Charge Ports):

- R12: 75R5618 and 75R5611 or
- R134A: 75R5688 and 75R5681

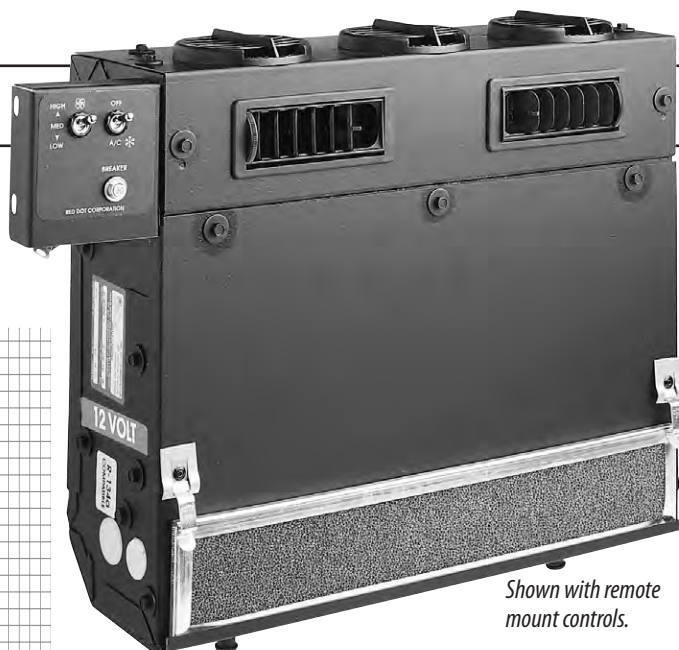
OFF-ROAD

R-8500 Backwall

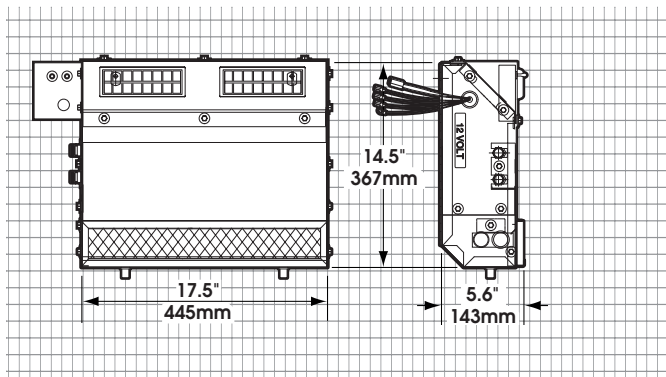
Air Conditioner with Heat Option

CONSTRUCTION • MINING • AGRICULTURE

Just 5.6 inches deep, the R-8500 packs high performance and reliability into a slim profile. The air plenum can be changed to divert air out the top or the front of the unit depending the application. In addition, the controls can be remote-mounted. Models include A/C only or heater and A/C combination.



Shown with remote mount controls.



HEATER-A/C

R-8500 SPECIFICATIONS

BTUs	Heating – 22,000 BTU/Hr @ 100°F (6.4 kW @ 37.8°C) air temperature rise Cooling – 15,200 BTU/Hr with 36°F (w 4.5 kW w/ 2.2°C) refrigerant temperature and 80°F (26.7°C) wet bulb entering air
AIR FLOW	205 CFM (348 m ³ /h)
WEIGHT	24 lbs. (11 kg)
MOTOR	Three-speed field wound
CURRENT	13.5 amps @ 13.6 VDC (includes 4 amps for A/C clutch)
DRAW	6.75 amps @ 27.2 VDC (includes 2 amps for A/C clutch)

R-8500 SYSTEM ORDERING GUIDE

		R-134a	NOTES
UNITS	R-8500-2P R-8500-2-24P R-8500-3P R-8500-3-24P	12 VDC – Heater - A/C 24 VDC – Heater - A/C 12 VDC – A/C Only 24 VDC – A/C Only	
CONDENSER	R-9720-12P R-9720-12-24P 77R0650	Remote Mount Remote Mount Radiator Mount	12 VDC – See page 90 24 VDC – See page 90 See page 464
GENERAL PURPOSE INSTALLATION KIT	78R1705 78R1070 78R1077 78R1027 78R1025 78R0100	Remote Mount Rooftop condenser Rooftop condenser Front mount condenser Front mount condenser Heater Hose	ATCO version ATCO version EZ Clip version EZ Clip version ATCO version 5/8" diameter, 50'
OPTIONS	Replacement Recirc Filter Plenum Assembly Universal Duct Kit	78R5330M RD-3-6060-0P 78R2100	
COMPRESSOR	Requires compressor and mounting kit		See Compressor Section
	Water Valve for Heater/AC is supplied by customer		

OFF-ROAD

R-8545 Backwall

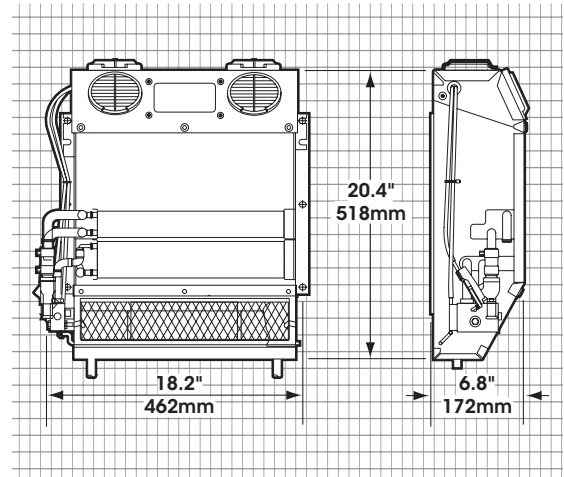
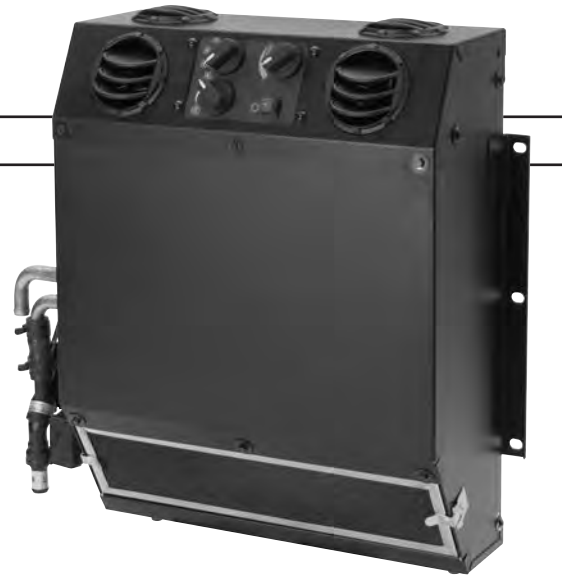
Air Conditioner with Heat Option

CONSTRUCTION • MINING • AGRICULTURE

Compact and powerful, the R-8545 produces the highest output of any off-road unit its size. Its performance and durability make the R-8545 the ideal choice for off-highway equipment cabs where space is a premium and reliability is essential. Engineered to filter in-cab air as well as incoming outside air when pressurization is required. Models include A/C only or heater and A/C combination.

R-8545 SPECIFICATIONS

BTUs	Heating – 31,460 BTU/Hr @ 100°F (8.4 kW @ 37.8°C) air temperature rise Cooling – 19,800 BTU/Hr with 36°F (5.3 kW with 2.2°C) refrigerant temperature and 80°F (26.7°C) wet bulb entering air
AIR FLOW	294 CFM (450 m ³ /h)
WEIGHT	Heater & A/C – 39 lbs. (18 kg) A/C Only – 34 lbs. (15 kg)
MOTOR	Totally sealed, 12 or 24 VDC permanent magnet type with long life brushes, and heavy duty pre-lubricated sealed ball bearings
CURRENT DRAW	16.1 amps @ 13.6 VDC (includes 4 amps for A/C clutch), 8 amps @ 27.2 VDC (includes 2 amps for A/C clutch)
CONTROLS	Mode selector switch (heat or A/C), three-speed fan switch, fixed setting A/C thermostat, cable controlled water valve



R-8545 SYSTEM ORDERING GUIDE

		R-134a	NOTES
UNITS	R-8545-17P R-8545-17-24P R-8545-16P R-8545-16-24P	12 VDC – A/C Only 24 VDC – A/C Only 12 VDC – Heater-A/C 24 VDC – Heater-A/C	
CONDENSER	R-9720-12P R-9720-12-24P 77R0650	12V, Remote Mount 4V, Remote Mount Radiator Mount	See Unit Condenser Section See Unit Condenser Section See Condenser Section
GENERAL PURPOSE INSTALLATION KIT	78R1705 78R1070 78R1077 78R1027 78R1025 78R0100	Remote Mount Rooftop condenser Rooftop condenser Front mount condenser Front mount condenser Heater Hose	ATCO version ATCO version EZ Clip version EZ Clip version ATCO version 5/8" diameter, 50'
OPTIONS	3" Air Outlet Adapter for Pressurization Remote Filters Pressurizers Universal Duct Kit Plenum	RD-3-5448-0P See Filters & Pressurizers section See Filters & Pressurizers section 78R2100 RD-3-15122-0P	
COMPRESSOR	Requires compressor and mounting kit		See Compressor section

HEATER-A/C

MACK

**R-8820 Underdash
Heater/Air Conditioner Unit**

MACK R MODEL CABS

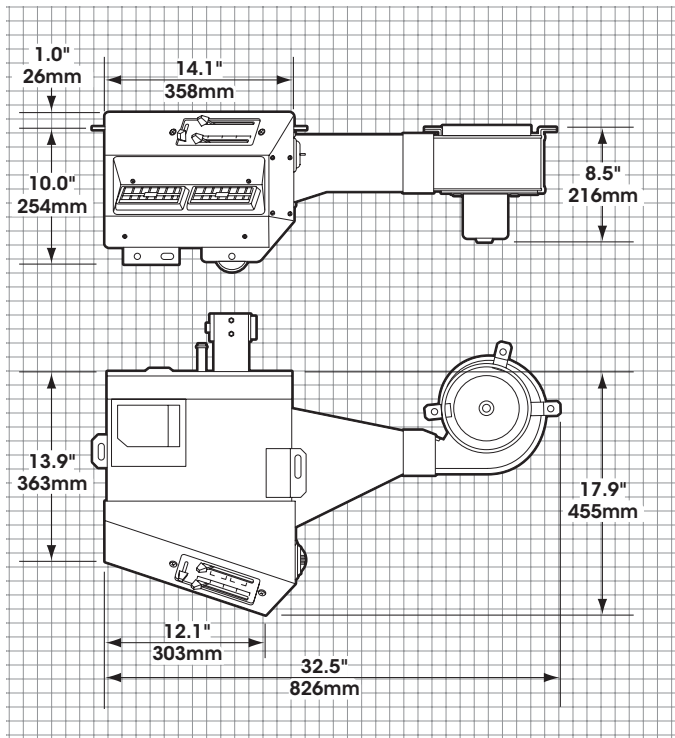
The R-8820 heater/air conditioner has a factory-installed look and improved air control and performance over the OE system. Uses existing mounting points for installation in R, U, DM, RL/RS, and RW cabs. Note: Kits for Model LE and MR severe-service applications are available from Mack dealers.



HEATER-A/C

R-8820 SPECIFICATIONS

BTUs	Heating – 27,000 BTU/Hr @ 100°F (kW 7.91 @ 37.8°C) air temperature rise Cooling – 20,000 BTU/Hr with 36°F (kW 5.86 with 2.2°C) refrigerant temperature and 80°F (26.7°C) wet bulb entering air
AIR FLOW	250 CFM (425 m³/h)
WEIGHT	34 lbs. (15 kg)
MOTOR	Permanent magnet, extended life
CURRENT DRAW	14 amps @ 13.6 VDC
CONTROLS	Three-speed blower motor switch, temperature-level and mode-selection lever
UNITS	R-8820-1P (tan) R-8820-2P (grey)



MODEL LE & MR

SEVERE SERVICE APPLICATIONS

Component parts available separately from Red Dot:

- R-2000-11P A/C Unit
- R-6160-0P Condensor
- 78R1025 Installation Kit
- RD-5-8476-0P LE Roof Bracing
- RD-5-8476-1P MR Roof Bracing

For compressor and compressor mount kit contact your local Mack dealer.

See ordering guide on the next page...

MACK

R-8820 Underdash

Heater/Air Conditioner Unit

R-8820 SYSTEM ORDERING GUIDE

Model	Color	Engine	Base Kit	Installation Kit	Compressor	Condenser With CMCAC*	Condenser Without CMCAC*	Mount & Drive Kit
R & U (1980-89)	G	E6 with two Valves	R-8820-2P	78R1470	75R8382	77R0570 ¹	77R1300 ⁴	75R9500 ²
R & U (1980-89)	G	E6 with Ambac & Bosch 6000 Injector	R-8820-2P	78R1470	75R8382	77R0570 ¹	77R1300 ⁴	Mack Dealer
R & U (1980-89)	G	E6 with Bosch 7100 Injector	R-8820-2P	78R1470	75R8382	77R0570 ¹	77R1300 ⁴	Mack Dealer
R & U (1980-89)	T	E6 with two Valves	R-8820-1P	78R1470	75R8382	77R0570 ¹	77R1300 ⁴	75R9500 ²
R & U (1980-89)	T	E6 with Ambac & Bosch 6000 Injector	R-8820-1P	78R1470	75R8382	77R0570 ¹	77R1300 ⁴	Mack Dealer
RD (1980-89)	G	E6 with two Valves	R-8820-2P	78R1470	75R8382	77R7710	77R1300 ⁴	75R9500
RB & RD (1980-89)	G	E6 with Ambac & Bosch 6000 Injector	R-8820-2P	78R1470	75R8382	77R7710	77R1300 ⁴	Mack Dealer
RB & RD (1980-89)	G	E6 with Bosch 7100 Injector	R-8820-2P	78R1470	75R8382	77R7710	77R1300 ⁴	Mack Dealer
RB & RD (1980-89)	T	E6 with two Valves	R-8820-1P	78R1470	75R8382	77R7710	77R1300 ⁴	75R9500 ²
RD (1980-89)	T	E6 with Ambac & Bosch 6000 Injector	R-8820-1P	78R1470	75R8382	77R7710	77R1300 ⁴	Mack Dealer
RB Facelift (1990+)	G	E7 ⁵	R-8820-2P	78R1470	75R8382	77R7710	N/A	Mack Dealer
RD Facelift (1990 +)	G	E7 ⁵	R-8820-2P	78R1470	75R8382	Mack Dealer	N/A	Mack Dealer
DM (1980-89)	G	E6 with two Valves	R-8820-2P	78R1470	75R8382	Mack Dealer	77R1300 ³	75R9500 ²
DM (1980-89)	G	E6 with Ambac & Bosch 6000 Injector	R-8820-2P	78R1470	75R8382	Mack Dealer	77R1300 ³	Mack Dealer
DM (1980-89)	G	E6 with Ambac & Bosch 6000 Injector	R-8820-2P	78R1470	75R8382	Mack Dealer	N/A	Mack Dealer
DM (1990 to 4/15/95)	G	E7 ⁵	R-8820-2P	78R1470	75R8382	Mack Dealer	N/A	Mack Dealer
DM (4/15/95 & later)	G	E7 ⁵	R-8820-2P	78R1470	75R8382	210RD425	N/A	Mack Dealer

UPGRADE HEATER TO HEATER-A/C

MR Conversion Kit	-	E6 with 4 valve (All)	RD-5-8622-0P	Included	Included	N/A	Mack Dealer
MR Conversion Kit	-	E7	RD-5-8622-0P	Included	Included	N/A	Mack Dealer

Color Code: B = Black G = Gray T = Tan W = White

- ¹ Requires proper operation of viscous fan to operate properly with R134a
- ² Vehicles equipped with steel timing contact Mack for mount kit.
- ³ Mount Kit will not work on very late E6s. Must change water pump housing to MACK #771GB232M
- ⁴ The following items need to be ordered from MACK: (1) 4103-5010332161 Front Condenser Bracket, (1) 4103-5010332164 Rear Condenser Bracket, (1) 4103-5010332652 Receiver Drier Bracket, and (3) 4103-5000717723 Hose Support Bracket.
- ⁵ Compressor Mount Kit must be ordered separately. E7 ETEC engine may require #12QR4115 blower motor bracket and #1MR2464M pressure switch.

* CMCAC = Chassis-mounted charge air cooler

OFF-ROAD

R-9520 Floor

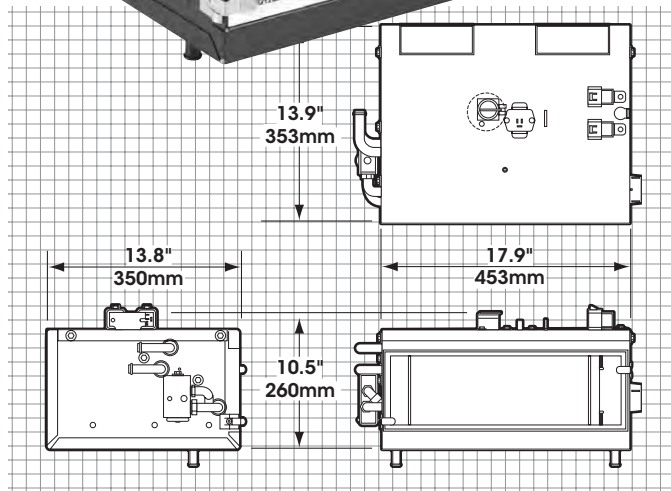
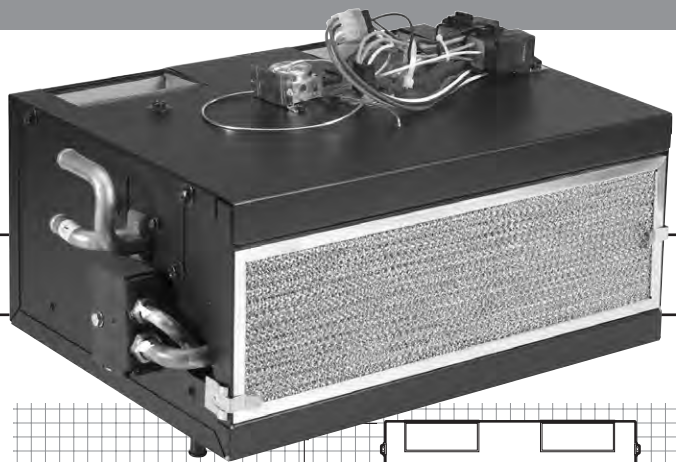
Heater/Air Conditioner with Reversible Cores

CONSTRUCTION • MINING • AGRICULTURE

Our R-9520 is a powerful floor-mounted heater/air conditioner for heavy-duty and off-highway equipment cabs. Plenum options let you duct or direct air where you need it, and a variety of remote-mounted controls are available to complete the installation. A plastic trim kit is available with the louvered plenum assembly for an integrated look.

R-9520 SPECIFICATIONS

BTUs	Heating – 31,600 BTU/Hr @ 100°F (9.3 kW @ 37.8°C) air temperature rise, Cooling – 33,070 BTU/hr with 36°F (9.7 kW with 2.2°C) refrigerant temperature and 80°F (26.7°C) wet bulb entering air
AIR FLOW	430 CFM (730 m³/h)
WEIGHT	41 lbs. (19 kg)
MOTOR	One three-speed; vented; permanent magnet
CURRENT	11.2 amps @ 27.2 VDC
DRAW	(includes 2 amps for A/C clutch)



HEATER-A/C

R-9520 SYSTEM ORDERING GUIDE

	R-134a	NOTES
UNITS	R-9520-0P R-9520-0-24P	12 VDC - Heater / Air Conditioner 24 VDC - Heater / Air Conditioner
CONDENSER	77R7100 - Radiator Mount R-9725-3P - Remote Mount R-9725-3-24P - Remote Mount	See Condenser Section See Unit Condenser Section See Unit Condenser Section
GENERAL PURPOSE INSTALLATION KIT	78R1705 78R1070 78R1077 78R1027	Remote Mount Rooftop condenser Rooftop condenser Front mount condenser
		ATCO version ATCO version EZ Clip version EZ Clip version
COMPRESSOR	Requires compressor and mounting kit	See Compressor Section

OPTIONS:



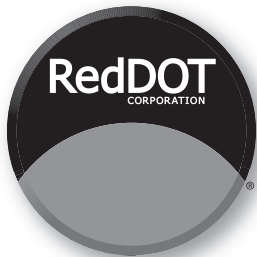
Louvered Plenum Assembly
RD-3-10111-0P



Ductable Plenum Assembly
RD-3-10112-0P

Control Panels (See also 71 Series, Control Panels)

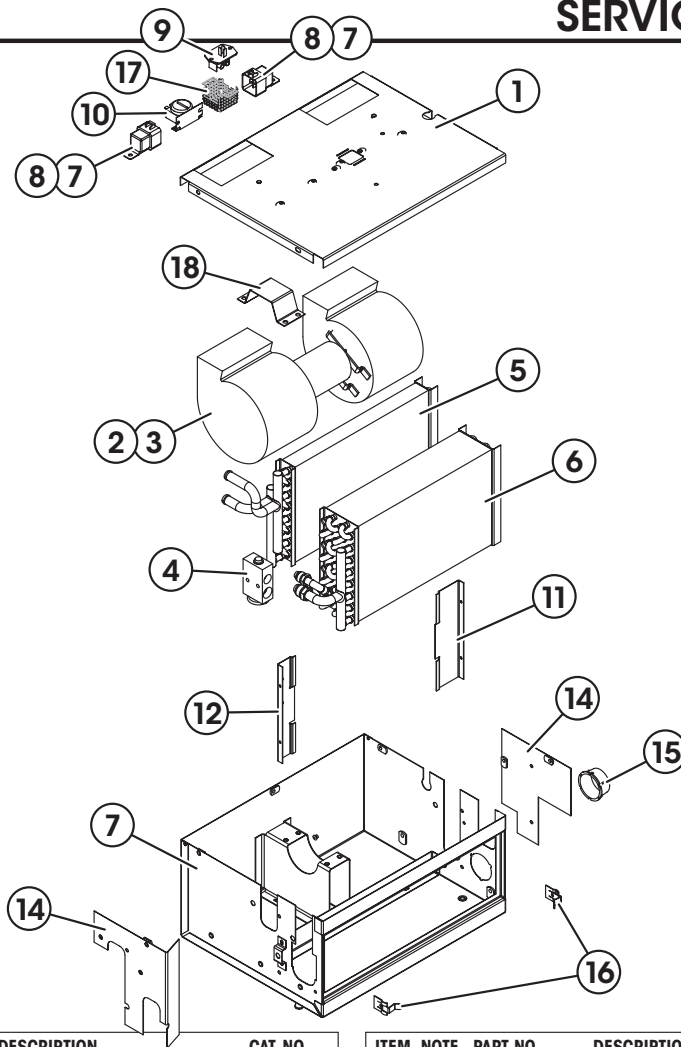
R-9520-0P	71R5600	Three-speed motor switch - includes manual water valve control
	71R5605	Three-speed motor switch - includes electronic water valve control
	71R5122	Three-speed motor switch - includes A/C switch and electronic water valve
	71R5812	Automatic Temperature Control - 12 volt
R-9520-0-24P	71R5600	Three-speed motor switch - includes manual water valve control
	71R5605	Three-speed motor switch - includes electronic water valve control
	71R5122	Three-speed motor switch - includes A/C switch and electronic water valve
	71R5814	Automatic Temperature Control - 24 volt



Heater Air Conditioner Model R-9520-0

SERVICE PARTS LIST

HEATER-A/C



ITEM	NOTE	PART NO.	DESCRIPTION	CAT. NO.
1		RD-3-8928-OP	Cover Assembly- Housing	
2		RD-3-7383-OP	Motor Blower Assembly- 12v	
3		RD-3-7383-1P	Motor Blower Assembly- 24v	
4		RD-5-7015-OP	Expansion Valve	71R8321
5		RD-1-2006-OP	Heater Core Assembly	76R3465
6		RD-2-5772-OP	Evaporator Core Assembly	
7		RD-5-6690-OP	Relay- 12v Metri-Pac	71R1902
8		RD-5-6693-OP	Relay- 24v Metri-Pac	71R1904
9		RD-5-3647-OP	Resistor- Speed Control	71R1450
10		RD-5-4531-24P	Thermostat	71R3200
11		RD-3-7696-OP	Retainer- Core & Evaporator	

ITEM	NOTE	PART NO.	DESCRIPTION	CAT. NO.
12		RD-3-9884-OP	Retainer- Core & Evaporator	
13		RD-3-7697-OP	Cover Assembly- Reversed Plumbing	
14		RD-3-8934-OP	Cover- Plumbing	
15		RD-5-4487-OP	Adapter- Hose, 2" Diameter	
16		RD-5-6239-OP	Snap Fastener	
17		RD-3-8113-OM	Guard- Resistor	
18		RD-3-3174-OP	Retainer- Motor	
19	A	RD-5-8076-1P	Air Filter	76R5360M
20	B	RD-3-10111-OP	Plenum Cover w/ Louvers	72R4536
21	B	RD-3-10112-OP	Air Outlet	72R4537

NOTES: A= Not shown B= Optional

RED DOT CORPORATION

P.O.Box 58270 Seattle, WA 98138 (206) 575-3840 AMCustomerService@RedDotCorp.com

RD-3-1163-0 (REV A)

FOR REFERENCE ONLY. SUBJECT TO CHANGE WITHOUT NOTICE

OFF-ROAD

R-9560 Headliner

Air Conditioner Unit with heat option

CONSTRUCTION • MINING • AGRICULTURE • INDUSTRIAL



Instead of pulling air from the rear, the unit draws air from the bottom, which allows efficient airflow even when it's mounted near a back wall or some other tight location

An added benefit: a hinged bottom makes the R-9560 easy to service. You just remove the front bolts and the unit swings down for easy access to filters and other components. This feature saves time—and the technician's shoulders.

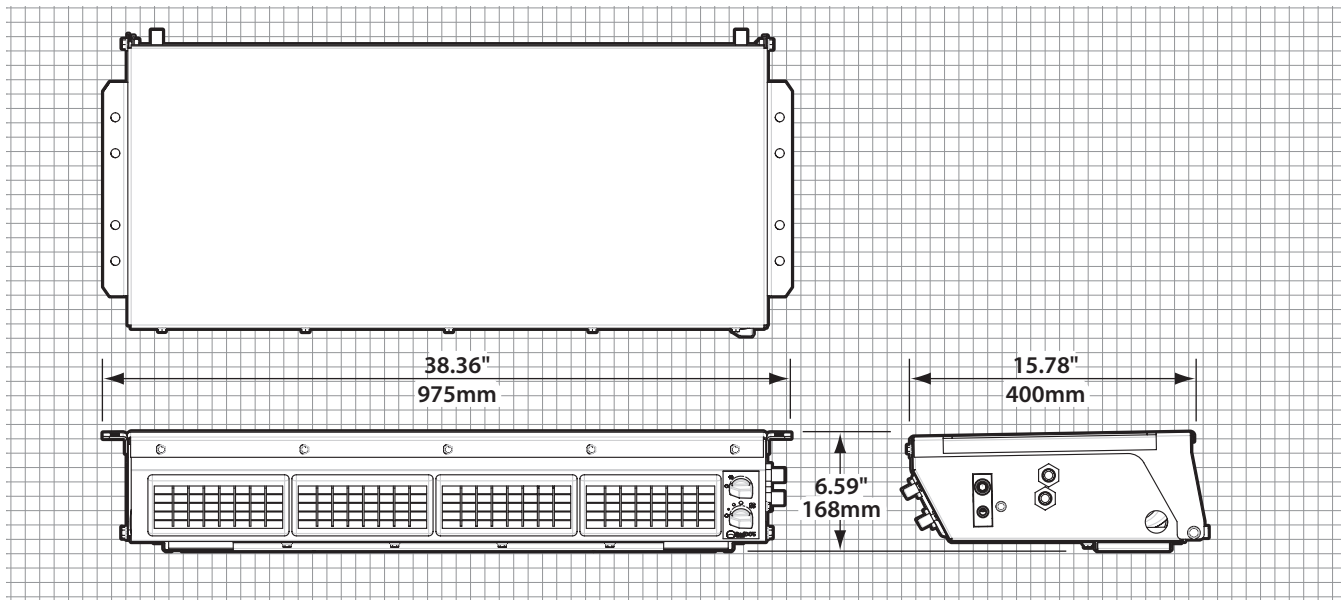
R-9755 SPECIFICATIONS

- BTUs** Cooling – 32,500 BTU @ 100°F (9.5kw @ 37.8°C) air temperature rise
Heating – 38,600 BTU @ 100°F (11.3kw @ 37.8°C) air temperature rise
- AIR FLOW** 485 CFM (824 m3/h)
- WEIGHT** 64lbs (29kg)
- CURRENT** 17.9 amps @ 13.6 VDC
- DRAW** 9 amps @ 27.2 VDC
- CONTROLS** Three speed

R-9560 SYSTEM ORDERING GUIDE

	R-134a	NOTES
UNITS	R-9560-0P R-9560-0-24P R-9560-1P R-9560-1-24P	HEATER - A/C 12V HEATER - A/C 24V AIR CONDITIONER 12V AIR CONDITIONER 24V
CONDENSER	Radiator Mount Remote Mount	See Condensers section See Units Condensers section
INSTALLATION KIT	78R1705 78R1077	Refrigerant hose, fittings and hardware Refrigerant hose, fittings and hardware EZ Clip version
OPTIONS	Remote mount control panel (Heat and A/C) Remote mount control panel (A/C only)	71R5851 71R5850
COMPRESSOR	Requires compressor and mounting kit	See Compressor Section

* Booster Pressurizer can only be used with Remote Mount Filters



ON-ROAD

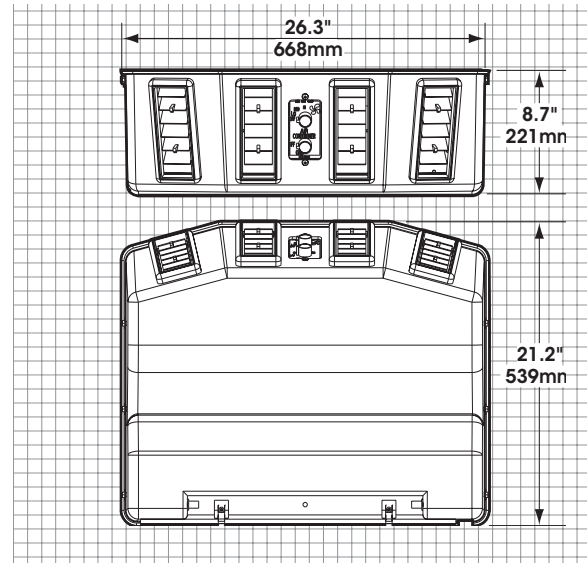
R-9715 Headliner

Air Conditioner

VAN • BUS • FIRE/RESCUE

The highest-capacity headliner A/C unit we make, the R-9715 is ideal for big interiors where appearance is important, including shuttle vehicles, buses, and fire trucks. An electric water pump can be used with tilt cabs or extremely humid conditions.

HEATER-A/C

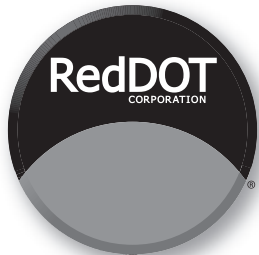


R-9715 SPECIFICATIONS

BTUs	Cooling – 39,500 BTU/Hr with 36°F (11.6 kW with 2.2°C) refrigerant temperature and 80°F (26.7°C) wet bulb entering air
AIR FLOW	577 CFM (980 m ³ /h)
WEIGHT	40 lbs. (18 Kg)
CURRENT	26.3 amps @ 13.6 VDC
DRAW	(includes 4 amps for A/C clutch) 13.2 amps @ 27.2 VDC (includes 2 amps for A/C clutch)

R-9715 SYSTEM ORDERING GUIDE

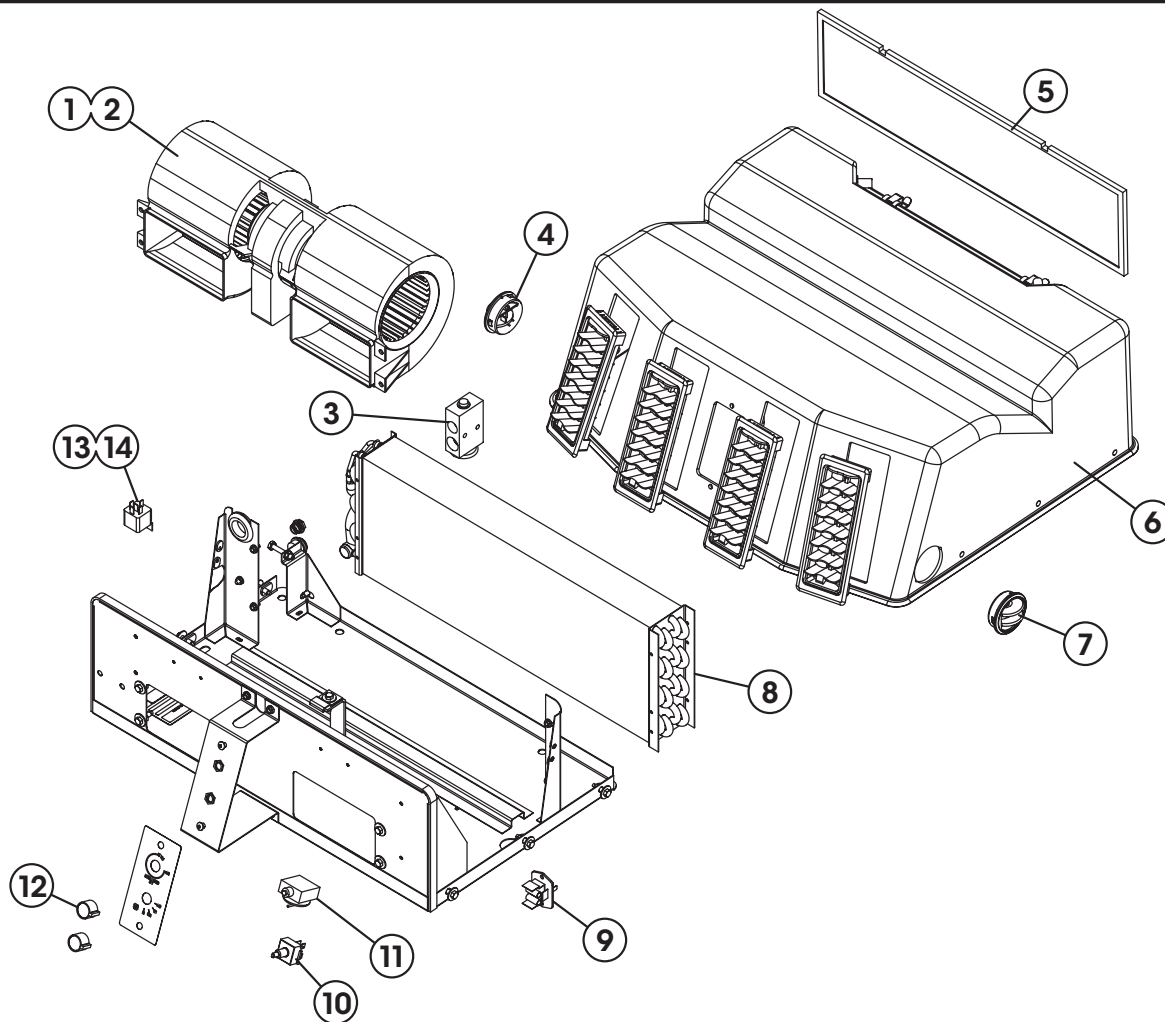
	R-134a	NOTES	
UNITS	R-9715-11P R-9715-11-24P	12 VDC - replaces R-9715-10P 24 VDC - replaces R-9715-10-24P	
CONDENSER	R-4500-8P Remote Mount R-4500-8-24P Remote Mount	12 VDC 24 VDC	
INSTALLATION KIT	78R1070 78R1077	Rooftop condenser Rooftop condenser	ATCO version EZ Clip version
DUAL PUMP KIT	RD-2-3825-0P		
COMPRESSOR	Requires compressor and mounting kit		See Compressor Section



Remote Mount Condenser Model R-9715-11

SERVICE PARTS LIST

HEATER-A/C



ITEM	NOTE	PART NO.	DESCRIPTION	CAT. NO.
1	A	RD-3-6770-OP	Motor Blower Assembly	73R5502
2	B	RD-3-6770-24P	Motor Blower Assembly 24 Volt	73R5504
3		RD-5-7015-OP	Valve - Expansion, R134a (2Ton)	71R8321
4		RD-5-11888-OP	Louver	
5		RD-1-0860-1P	Filter	78R5253M
6		RD-5-8421-5P	Cover - Plastic Housing	
7		RD-5-10418-OP	Louver - Alliance 3 X 8	72R2255

ITEM	NOTE	PART NO.	DESCRIPTION	CAT. NO.
8		RD-2-2928-OP	Evaporator Assembly	76R6040
9		RD-5-3647-OP	Resistor - Speed Control, Single Fan	71R1450
10		RD-5-3646-OP	Switch - Rotary 3 Speed	71R1150
11		RD-4125-36P	Thermostat	71R2250
12		RD-5-5928-OP	Knob - Control With Set Screw	71R4040
13	A	RD-5-4408-OP	Relay - 12 Volt	71R1702
14	B	RD-5-4417-OP	Relay - 24 Volt	71R1704

NOTES: A= Not shown B=for unit R-6145-2 ONLY C=for unit R-6145-3 ONLY

RED DOT CORPORATION

P.O.Box 58270 Seattle, WA 98138 (206) 575-3840 AMCustomerService@RedDotCorp.com

RD-2-4716-0 (REV B)

FOR REFERENCE ONLY. SUBJECT TO CHANGE WITHOUT NOTICE

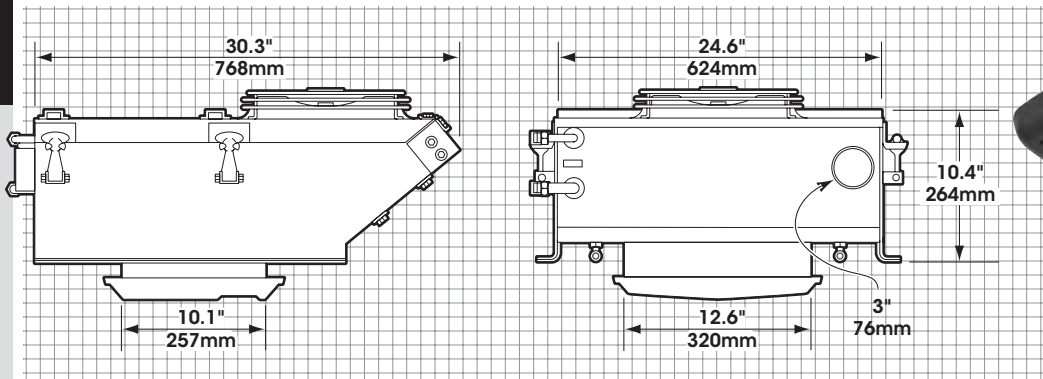
OFF-ROAD
 Ship LTL Only
R-9727 Rooftop
 Air Conditioner

CONSTRUCTION • MINING • AGRICULTURE



Shown with optional hydraulic compressor kit.

The R-9727 sets the standard for rooftop air conditioners in tough work environments. Renowned for its build quality, reliability, and performance, the R-9727 uses a sealed, long-life evaporator and condenser motor with a slinger ring and hubcap for protection from weather and dust. The heavy-gauge steel casing is gusseted and reinforced for structural integrity. Rubber hood tie-downs unlatch to easily expose the components for service. Options include a hydraulic compressor kit, remote-mount filter, and in-line booster blower for a pressurized, dust-free cab.



Low profile ceiling plenum blends with any interior.

R-9727 SPECIFICATIONS

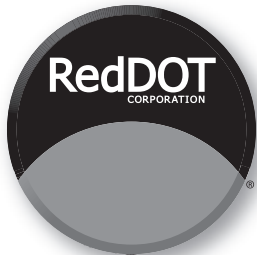
BTUS	Cooling – 22,000 BTU/Hr with 36°F (6.4 kw w/2.2°C) refrigerant temperature and 80°F (26.7°C) wet bulb entering air	
AIR FLOW	Evaporator – 320 CFM (544 m3/h) Condenser – 850 CFM (1444 m3/h)	
WEIGHT	104 Lbs (47 Kg)	
MOTORS	Evaporator – One 12 VDC, three-speed, 24 VDC available	Condenser – One 12 VDC, single-speed, 24 VDC available
CURRENT	29 amps @ 13.6 VDC (includes 4 amps for A/C clutch)	
DRAW	15 amps @ 27.2 VDC (includes 2 amps for A/C clutch)	
CONTROLS	Three speed blower and adjustable thermostat	

R-9727 SYSTEM ORDERING GUIDE

	R-134a	NOTES
UNITS	R-9727-2P R-9727-2-24P	12 VDC 24 VDC
CONDENSER	Contained in R-9727 Unit	
INSTALLATION KIT	78R1605	Refrigerant hose and fittings
OPTIONS	Winter Cover Stiffener Brackets Remote Mount Filters ** Remote Mount Filters ** Replacement Filters Replacement Gasket Kit Replacement Recirc. Filter Pressurizer Inlet Cap In-Line Booster Pressurizers * Replacement Receiver Drier Replacement Plenum Hydraulic Compressor Kit	RD-5-4031-0P RD-3-5790-0P 78R5100 (Horizontal) 78R5110 (Vertical) 78R5210 (Remote Mount) RD-2-0961-0P 78R5300 RD-5-6423-0P 73R9202 (12 VDC) For use with Remote Mount Filters 73R9204 (24 VDC) 74R2536 RD-2-5974-0P RD-5-13484-0P
COMPRESSOR	Requires compressor and mounting kit	See Compressor Section

* Booster Pressurizer Can Only Be Used With Remote Mount Filters

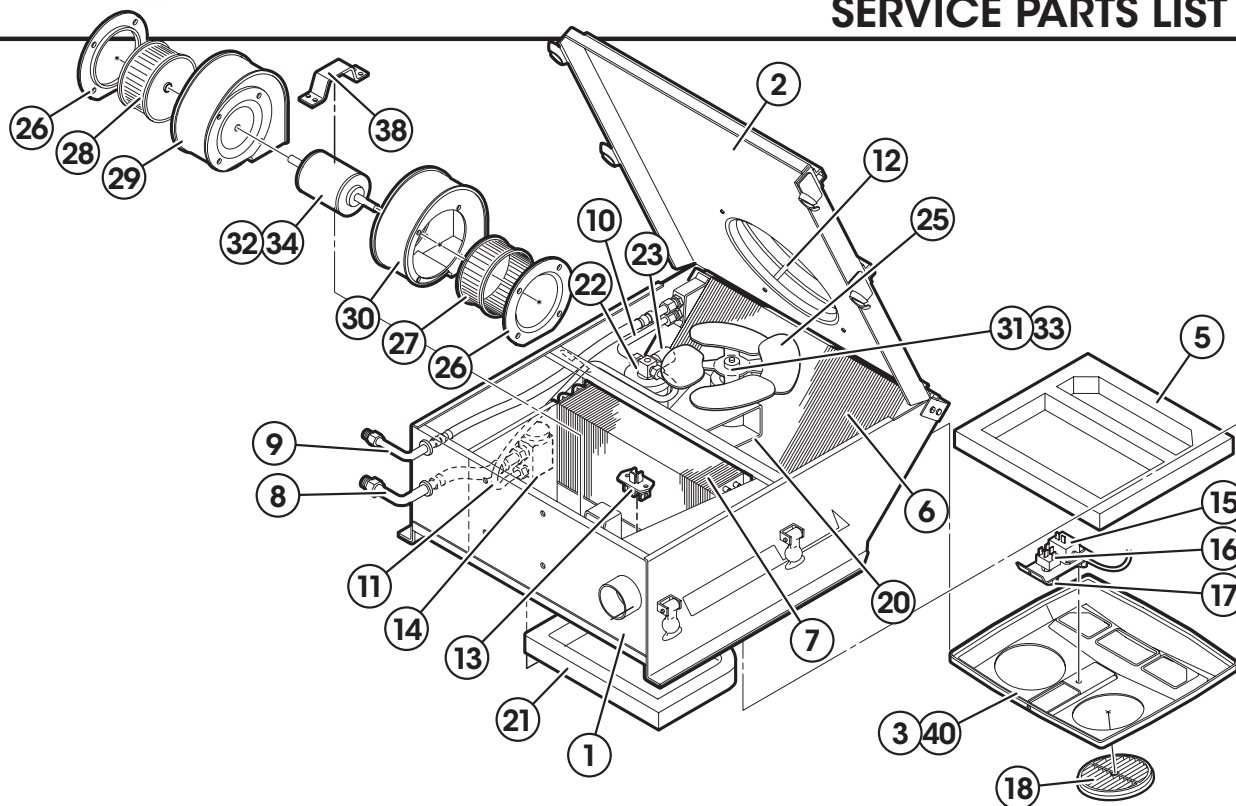
** Must be used with In-line Booster Pressurizer



Rooftop Air Conditioner Model R-9727-2

SERVICE PARTS LIST

HEATER-A/C



ITEM	NOTE	PART NO.	DESCRIPTION	CAT. NO.
1		RD-2-1067-1P	Housing Assembly	
2		RD-2-0921-1P	Cover Assembly	
3		RD-2-5974-0P	Plenum Assembly	
4	A	RD-2-1060-0P	Drain Pan Assembly	
5		RD-2-1297-0P	Gasket (Plenum)	
6		RD-4-3586-0P	Condenser Assembly	77R0350
7		RD-2-1121-2P	Evaporator Assembly	76R7100
8		RD-2-1072-0P	#10 Crimp- on Hose Assembly	
9		RD-2-1071-0P	#8 Crimp-on Hose Assembly	
10		RD-2-3150-0P	#6 Refrigerant Tube	
11		RD-2-1184-0P	Tube Assembly #6 "O" Ring	
12		RD-5-3894-1P	Fan Guard	
13		RD-5-3647-0P	Resistor	71R1450
14		RD-5-6868-0P	Expansion Valve	71R8301
15		RD-4125-36P	Thermostat	71R2250
16		RD-5-3646-0P	3- Speed Switch	71R1150
17		RD-5-8812-0P	Knob (2)	71R4015
18		RD-5-9053-0P	Louver	72R3140
19	A	RD-5-3550-120P	Drain Hose	78R0070
20		RD-2-1377-0P	Motor Mount.Assembly Cond	

ITEM	NOTE	PART NO.	DESCRIPTION	CAT. NO.
21		RD-2-0961-0P	Roof Seal Assembly	
22		RD-5-7061-7P	Reciever Drier	74R2577
23		RD-5-4640-0P	Switch-Pressure, Binary	72R7050
24	A	RD-2-1378-0P	Cable Retain., Cover (2)	
25		RD-4-3508-0P	Fan Blade 10"	73R8100
26		RD-3-2592-0P	Entry Ring (2)	
27		RD-3106-38P	Blower Wheel	73R6101
28		RD-3106-39P	Blower Wheel	73R6151
29		RD-2-0781-6P	Blower Assembly	
30		RD-2-0781-7P	Blower Assembly	
31	B	RD-5-14190-0P	Motor, 12 VDC (Condenser)	73R0512
32	B	RD-5-3757-12P	Motor, 12 VDC (Blower)	73R4202
33	C	RD-5-14190-24P	Motor , 24 VDC (Condenser)	73R0514
34	C	RD-5-3757-24P	Motor, 24 VDC (Blower)	73R4204
35	A	RD-5-4195-0P	Anchor, Rubber (4)	
36	A	RD-3-3031-0P	Writing Kit	
37	A	RD-2-0919-0P	Screen- Condenser	
38	A	RD-3-3174-0P	Retainer, Motor	
39	A	RD-2-1380-0P	Panel Access- Expansion Valve	
40		RD-5-5937-0P	Filter- Recirc.	78R5300

NOTES: A= Not shown B= for 12 volt applications C= for 24 volt applications (12v) D= Optional for filters see ordering information

RED DOT CORPORATION

P.O.Box 58270 Seattle, WA 98138 (206) 575-3840 AMCustomerService@RedDotCorp.com

RD-2-1326-0 (REV D)

FOR REFERENCE ONLY. SUBJECT TO CHANGE WITHOUT NOTICE

OFF-ROAD

R-9750 Headliner

Air Conditioner with Heat Option

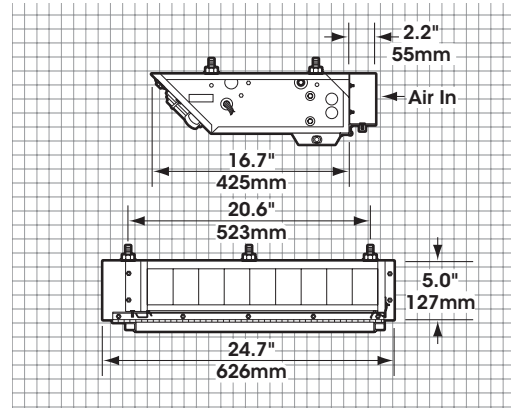
CONSTRUCTION • MINING • AGRICULTURE



The R-9750 is the ideal headliner A/C unit for off-highway equipment cabs. It quickly produces 240 CFM of airflow, filters recirculating cab air, and its heater option delivers year-round comfort. Four multidirectional louvers deliver the air where you need it. Options include an outside air adapter, remote-mount filter, and in-line booster blower for a pressurized, dust-free cab.

R-9750 SPECIFICATIONS

BTUs	Cooling – 17,000 BTU/Hr with 36°F (5 kW with 2.2°C) refrigerant temperature and 80°F (26.7°C) wet bulb entering air Heating – 25,600 BTU/Hr @ 100°F (7.5 kW @ 37.8°C) air temperature rise
AIR FLOW	240 CFM (408 m ³ /h)
WEIGHT	44 lbs. (20 kg)
CURRENT	13 amps @ 13.6 VDC (includes 4 amps for A/C clutch)
DRAW	6.5 amps @ 27.2 VDC (includes 2 amps for A/C clutch)

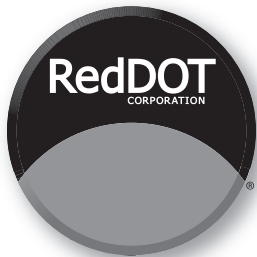


R-9750 SYSTEM ORDERING GUIDE

	R-134a	NOTES
UNITS	R-9750-9P R-9750-9-24P R-9750-10P R-9750-10-24P	12 VDC – Heater - A/C 24 VDC – Heater - A/C 12 VDC – A/C Only 24 VDC – A/C Only
CONDENSER	Radiator Mount Remote Mount	See Condensers Section 77R7100/RD-4-4968-0P
INSTALLATION KIT	78R1705 78R1077	Refrigerant hose, fittings and hardware Rooftop condenser EZ Clip version
OPTIONS	Outside Air Adapter Remote Mount Filters Replacement Recirc. Filter In-Line Booster Pressurizers * Heat Conversion Kit Metal Converter Controls Cable	RD-3-4784-0P See Filters & Pressurizers section 78R5310 See Filters & Pressurizers section RD-5-5982-1P RD-5-7999-1P RD-5-5505-33P
COMPRESSOR	Requires compressor and mounting kit	See Compressor Section

* Booster Pressurizer Can Only Be Used With Remote Mount Filters

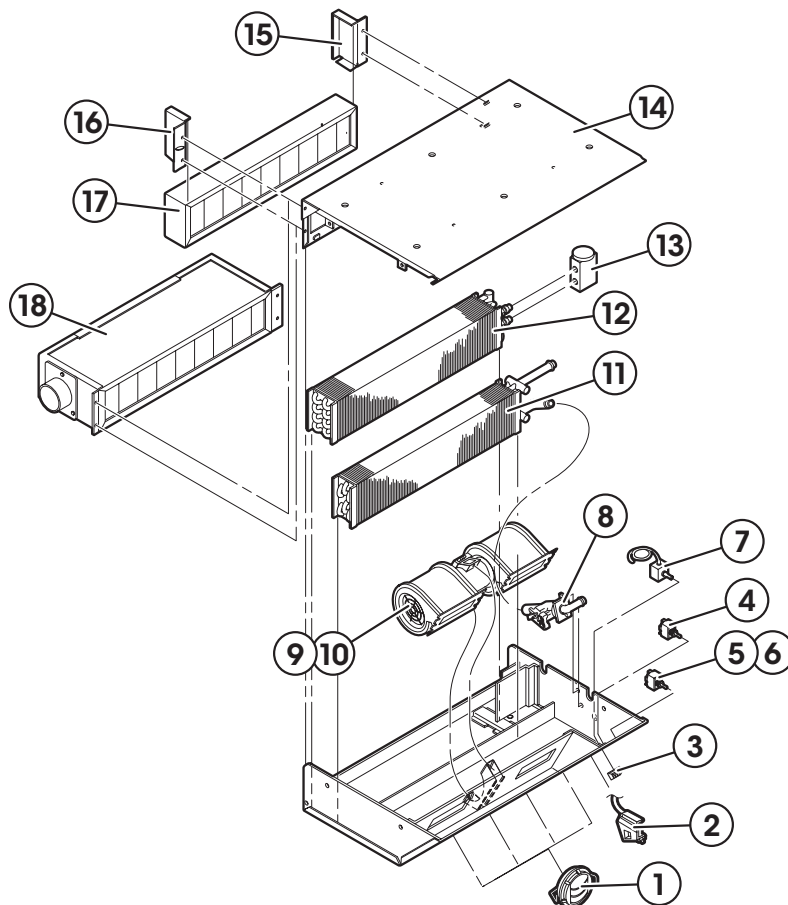
HEATER-A/C



Air Conditioner with Heater Options Model R-9750-9,-10

SERVICE PARTS LIST

HEATER-A/C



ITEM	NOTE	PART NO.	DESCRIPTION	CAT. NO.
1		RD-5-8436-0P	Louver (4)	72R3120
2	G	RD-5-7999-1P	Converter-Cable Control	
3		RD-5-8812-0P	Knob-Control, Rotary	71R4015
4		RD-5-0071-0P	Switch-Toggle SPDT	71R0400
5	E,H	RD-4123-2P	Switch-Toggle DPDT	71R0200
6	D	RD-5-3748-0P	Switch-Toggle SPST	71R0010
7		RD-4125-36P	Thermostat	71R2250
8	E,G	RD-3-7305-0P	Water Valve Assembly	
9	B	RD-5-8837-0P	Blower Motor Assembly (12v)	73R5532
10	C	RD-5-8838-0P	Blower Motor Assembly (24v)	73R5534

ITEM	NOTE	PART NO.	DESCRIPTION	CAT. NO.
11	E,H	RD-1-0726-0P	Heater Core Assembly	76R1000
12		RD-2-1633-0P	Evaporator Assembly	76R4900
13		RD-5-6868-0P	Expansion Valve	71R8301
14		RD-3-4683-0P	Cover Assembly - Housing	
15		RD-3-7794-0P	Bracket Assembly - Filter Right	
16		RD-3-7495-1P	Bracket Assembly - Filter Left	
17		RD-3-4804-1P	Filter	78R5310M
18	F	RD-3-4784-0P	Fresh Air Box Assembly	
19	A,F	RD-5-5982-1P	Conversion Kit	
20	A	RD-3-12113-0P	Drain Pan Assembly	

NOTES: A. Not shown B. 12 volt system only C. 24 volt system only D. Air conditioner only E. Purchased separately as part of heater conversion kit RD-5-5982-0 F. Optional and purchased separately G. R-9750-11-24P Uses RD-5-1893-0 water valve & RD-5-9022-6 cable/ converter H. Heater-A/C only

RED DOT CORPORATION

P.O.Box 58270 Seattle, WA 98138 (206) 575-3840 AMCustomerService@RedDotCorp.com

RD-5-5985-0 (REV G)

FOR REFERENCE ONLY. SUBJECT TO CHANGE WITHOUT NOTICE

OFF-ROAD

R-9755 Headliner

Air Conditioner Unit

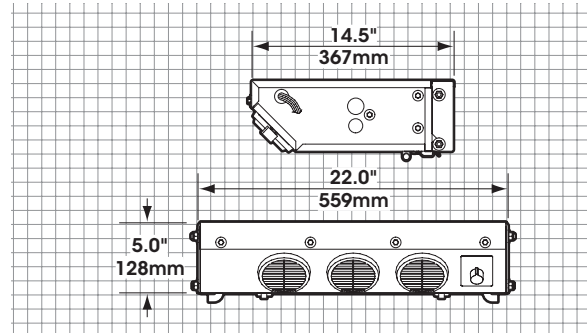
CONSTRUCTION • MINING •
AGRICULTURE • INDUSTRIAL

Perfect for compact and hard-to-cool truck and off-highway equipment cabs. The R-9755 produces 240 CFM of airflow, filters recirculating cab air, and is just 14.5 inches front to back. Options include an outside air adapter.



R-9755 SPECIFICATIONS

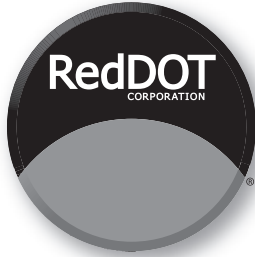
BTUs	Cooling – 17,000 BTU/Hr with 36°F (5 kW with 2.2°C) refrigerant temperature and 80°F (26.7°C) wet bulb entering air
AIR FLOW	240 CFM (408 m ³ /h)
WEIGHT	32 lbs. (14.5 kg)
CURRENT	14.1 amps @ 13.6 VDC (includes 4 amps for A/C clutch)
DRAW	7 amps @ 27.2 VDC (includes 2 amps for A/C clutch)



R-9755 SYSTEM ORDERING GUIDE

	R-134a	NOTES
UNITS	R-9755-0P R-9755-0-24P	12 VDC - A/C only 24 VDC - A/C only
CONDENSER	R-9720-12P R-9720-12-24P	See Condenser Section See Condenser Section
INSTALLATION KIT	78R1705 78R1077	Refrigerant hose, fittings and hardware Rooftop condenser EZ Clip version
OPTIONS	Outside Air Adapter Replacement Filter Remote Mount Filters * Replacement Recirc Filter In-Line Booster Pressurizers	RD-3-4784-0P 78R5310 See Filters & Pressurizers section 78R 5350 See Filters & Pressurizers section
COMPRESSOR	Requires compressor and mounting kit	See Compressor Section

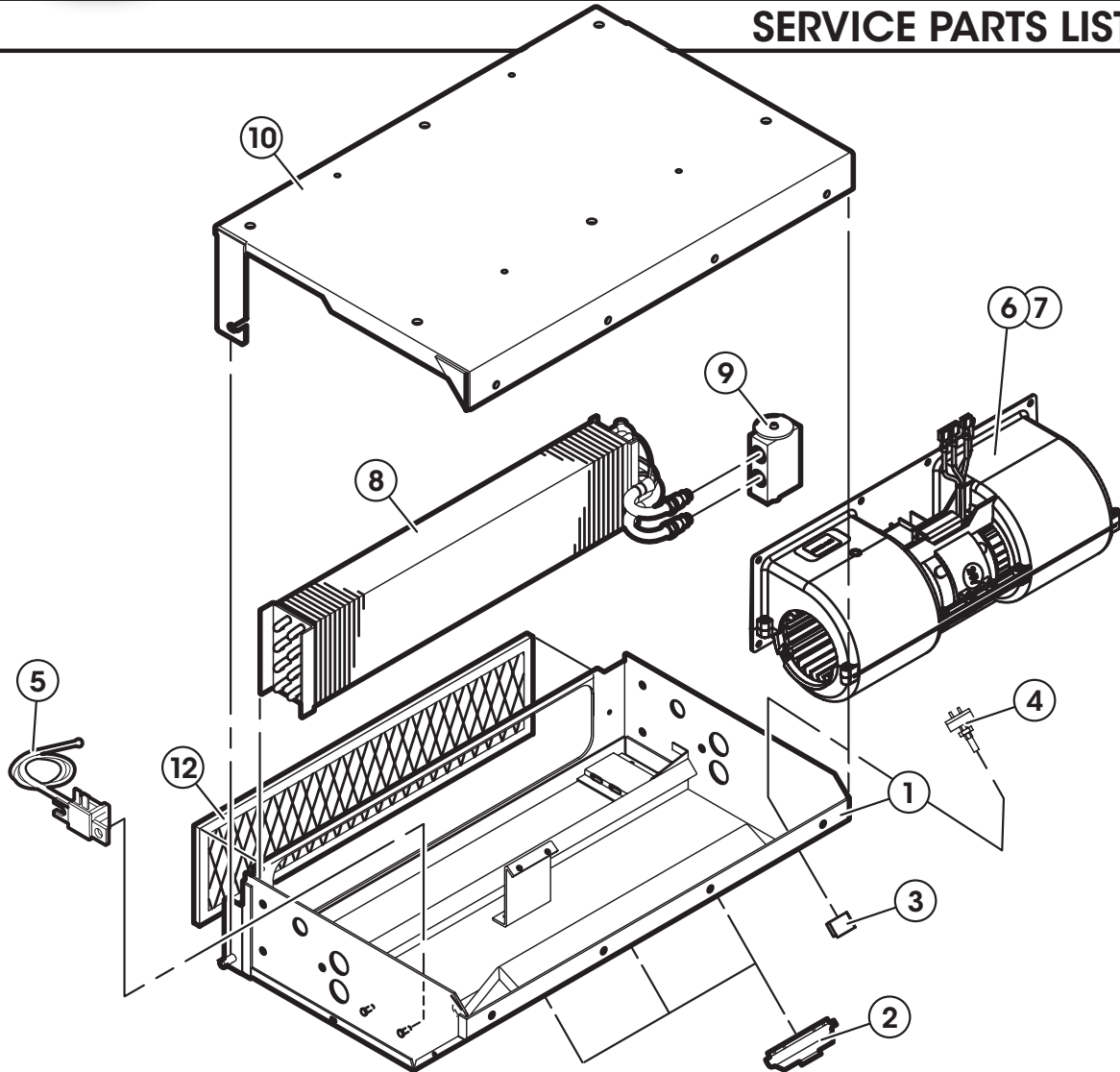
* Booster Pressurizer can only be used with Remote Mount Filters



Headliner Air Conditioner Model R-9755-0

SERVICE PARTS LIST

HEATER-A/C



ITEM	NOTE	PART NO.	DESCRIPTION	CAT. NO.
1		RD-2-2031-OP	Housing Assembly	
2		RD-5-9024-OP	Air Difuser Assembly (3)	72R3130
3		RD-5-5928-OP	Knob-Control	71R4040
4		RD-5-3646-OP	Switch, 3 speed	71R1150
5		RD-6-5893-OP	Electronic Thermostat	
6		RD-5-12742-OP	Blower Motor Assembly (12v)	73R5662

ITEM	NOTE	PART NO.	DESCRIPTION	CAT. NO.
7		RD-5-12742-24P	Blower Motor Assembly (24v)	73R5664
8		RD-2-2047-OP	Evaporator Assembly	76R4920
9		RD-5-6868-OP	Expansion Valve- R 134a	71R8301
10		RD-2-2041-OP	Cover Assembly- housing	
11	A	RD-3-4784-OP	Fresh Air Box Assembly	
12		RD-5-6867-OP	Air Filter	78R5350

NOTES: A= Not shown

RED DOT CORPORATION

P.O.Box 58270 Seattle, WA 98138 (206) 575-3840 AMCustomerService@RedDotCorp.com

RD-2-2026-0 (REV D)

FOR REFERENCE ONLY. SUBJECT TO CHANGE WITHOUT NOTICE

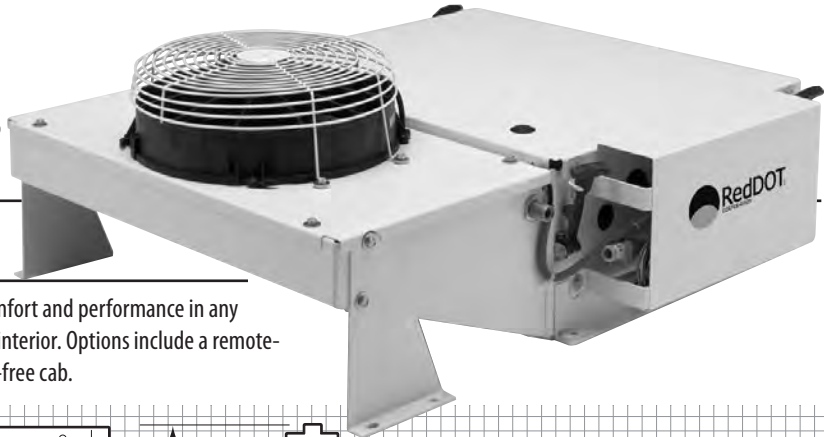
OFF-ROAD

Ship LTL Only

R-9757 Rooftop

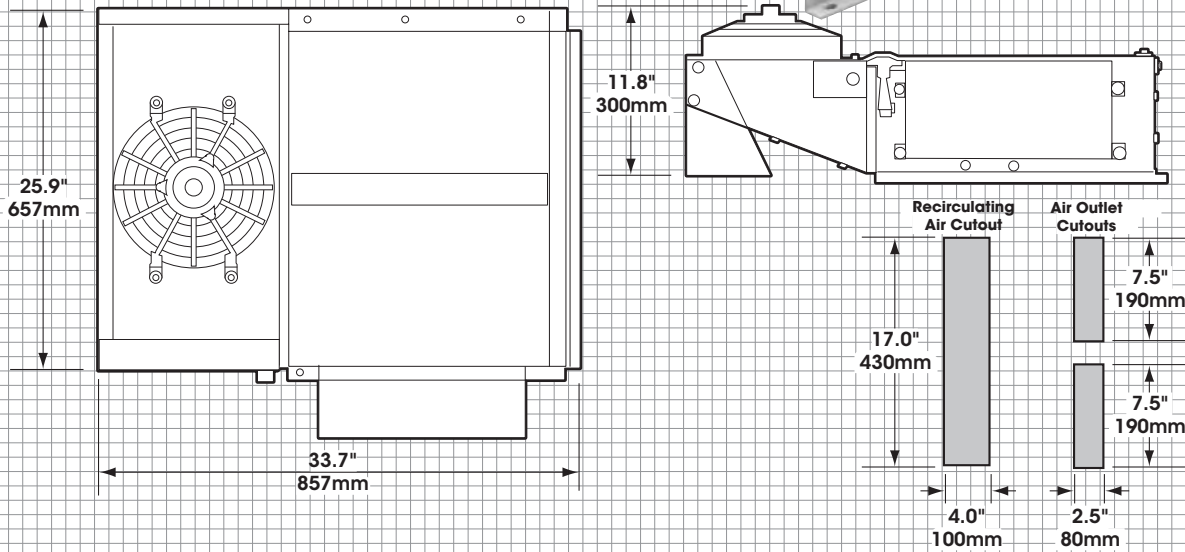
Heater/Air Conditioner

CONSTRUCTION • MINING • AGRICULTURE



With heating and cooling, the R-9757 rooftop unit delivers comfort and performance in any environment. The low-profile ceiling plenum blends with any interior. Options include a remote-mount filter and in-line booster blower for a pressurized, dust-free cab.

HEATER-A/C



R-9757 SPECIFICATIONS

BTUs Heating – 45,000 BTU/Hr @ 100°F (13.2 kw @ 37.8°C) air temperature rise
Cooling – 25,000 BTU/Hr with 36°F (7.3 kw with 2.2°C) refrigerant temperature and 80°F (26.7°C) wet bulb entering air

AIR FLOW 400 CFM (680 m³/h)

WEIGHT 135 lbs. (61kg)

MOTORS Evaporator – One 12 VDC, three speed (24 VDC available) Condenser – One 12 VDC low profile (24 VDC available)

CURRENT 38.2 amps @ 13.6 VDC (includes 4 amps for A/C clutch)

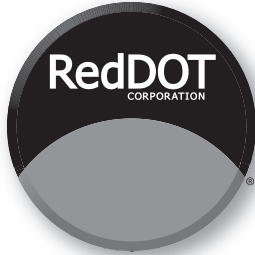
DRAW 19.1 amps @ 27.2 VDC (includes 2 amps for A/C clutch)

R-9757 SYSTEM ORDERING GUIDE

	R-134a	NOTES
UNITS	R-9757-0P R-9757-0-24P	12 VDC - Heater A/C 24 VDC - Heater A/C
CONDENSER	Contained in the R-9757	
INSTALLATION KIT	78R1805	Refrigerant hose, fittings and hardware.
OPTIONS	Replacement Filter Paper Replacement Filter Remote Mount Filters ** Replacement Filters Replacement Gasket Kit Replacement Recirc. Filter In-Line Booster Pressurizers * Replacement Receiver Drier	RD-3-6406-1P (Fresh Air Filter Box) RD-3-6407-0P (Fresh Air Filter Box) 78R5100 (Horizontal) 78R5110 (Vertical) 78R5210 (Remote Mount) RD-3-9706-0P (Gasket Kit) 78R5370 73R9202 (12 VDC) For use with Remote Mount Filters 73R9204 (24 VDC) 74R2546
COMPRESSOR	Requires compressor and mounting kit	See Compressor Section

* Booster Pressurizer can only be used with Remote Mount Filters

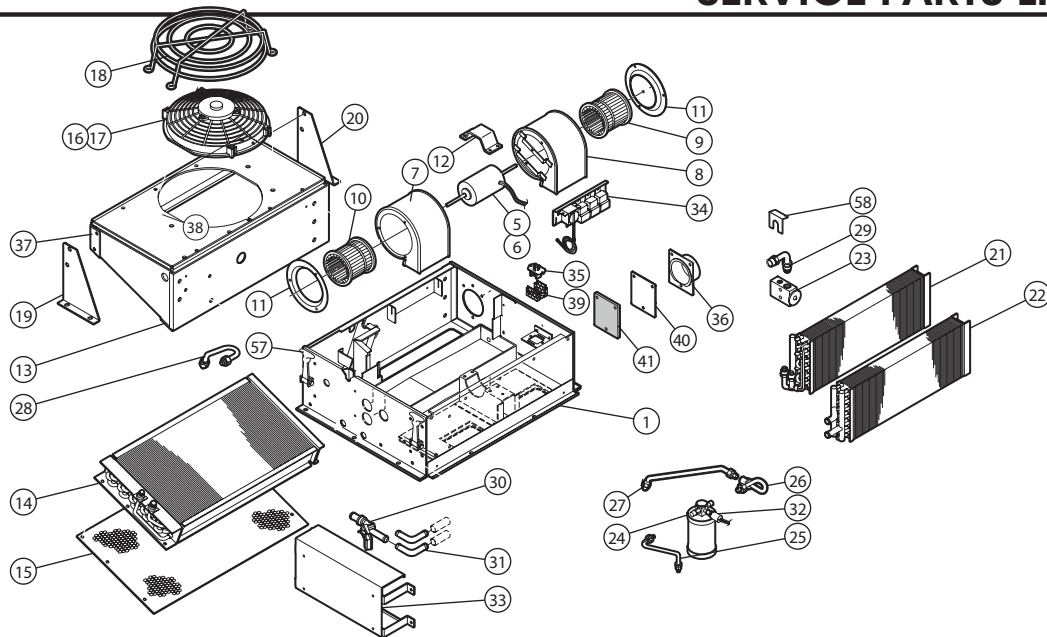
** Must be used with In-line Booster Pressurizer



Rooftop Heater-Air Conditioner Model R-9757

SERVICE PARTS LIST

HEATER-A/C



ITEM	NOTE	PART NO.	DESCRIPTION	CAT. NO.
1		RD-3-9093-0P	Housing Assembly	
2	A	RD-3-9210-0P	Cover Assembly	
3	B	RD-3-7383-0P	Blower/Motor Assembly (12V)	
4	B	RD-3-7383-1P	Blower/Motor Assembly (24V)	
5		RD-5-14189-0P	Motor (12V)	
6		RD-5-14189-24P	Motor (24V)	
7		RD-3-7382-0P	Blower Housing-Left	
8		RD-3-7382-1P	Blower Housing-Right	
9		RD-5-8092-0P	Blower Wheel-CW	73R7200
10		RD-5-8092-1P	Blower Wheel-CCW	73R7210
11		RD-3-7376-0P	Entry Ring (2)	
12		RD-3-3174-0P	Retainer-Motor	
13		RD-4-5444-0P	Condenser Housing Assembly	
14		RD-4-4724-0P	Condenser Assembly	77R0660
15		RD-4-4694-0P	Condenser Screen	
16	C	RD-5-13259-4P	Fan/Motor Assembly-12VDC	
17	C	RD-5-13259-5P	Fan/Motor Assembly-24VDC	
18		RD-4-4520-4P	Side Bar Support-Left	
19		RD-4-4520-5P	Side Bar Support-Right	
20		RD-2-2791-0P	Evaporator Assembly	76R6015
21		RD-1-1379-0P	Heater Core Assembly	76R1860
22		RD-5-6868-0P	Expansion Valve	71R8301
23		RD-5-7272-0P	Receiver Drier Assembly	74R2546
24		RD-3-9099-0P	Tube Assembly-No. 6, Drier	
25		RD-3-9096-1P	Tube Assembly-No. 6	
26		RD-3-9097-0P	Tube Assembly-No. 6	
27		RD-3-9101-1P	Tube Assembly-No. 8	
28		RD-2-2156-0P	Refrig Tube Assembly #10 O-Ring	
29		RD-5-7760-1P	Water Valve Assembly	72R5220

ITEM	NOTE	PART NO.	DESCRIPTION	CAT. NO.
30		RD-4366-0P	Coolant Tube 5/8" Elbow (2)	70R7150
31		RD-5-8433-0P	Switch, Binary Pressure	71R7075
32		RD-3-9212-0P	Plumbing Cover Assembly	
33		RD-3-6624-0P	Electrical Panel Assembly	
34		RD-5-3647-0P	Resistor	71R1450
35		RD-3-4812-2P	Plate-Ring Assembly	72R4531
36		RD-4-5445-2P	Condenser Support Assembly	
37		RD-4-7209-0P	Condenser Plate Assembly	
38		RD-3-8113-0M	Resistor Guard	
39		RD-3-4814-3P	Plate-Fresh Air	
40		RD-3-6960-0P	Gasket -Fresh Air Plate	
41	A	RD-5-4531-24P	Thermostat (part of #34)	71R3200
42	A	RD-5-6690-0P	Relay 12V	71R1902
43	A	RD-5-6917-2P	Converter Control	72R9005
44	A	RD-5-5928-0P	Control Knob	71R4040
45	A	RD-3-6475-0P	Plastic Plenum	
46	A	RD-4123-2P	Switch-Mode (on-off-on)	71R0200
47	A	RD-5-0071-0P	Switch-Fan (on-on-on)	71R0400
48	A	RD-5-7192-0P	Circuit Breaker-35AMP (12V)	71R1330
49	A	RD-5-6714-0P	Circuit Breaker-20AMP (24V)	71R1315
50	A	RD-5-4805-0P	Louver-4.5" Diameter	
51	A	RD-3-6408-0P	Filter-Recirculating Air	78R5370
52	A	RD-5-6693-0P	Relay (24V)	71R1904
53	A	RD-3-9095-0P	Wire Harness Assembly-Unit	
54	A	RD-3-9095-1P	Wire Harness Assembly-Unit	
55	A	RD-3-6613-0P	Wire Harness Assembly-Plenum	
56		RD-5-8086-0P	Retainer Assembly	
57		RD-3-6615-2P	Bracket-Fitting Assembly	

NOTES: **A**= Not shown **B**=Includes motor, blower assemblies, blower wheels and entry rings **C**=12" diameter

RED DOT CORPORATION

P.O.Box 58270 Seattle, WA 98138 (206) 575-3840 AMCustomerService@RedDotCorp.com

RD-3-9105-0 (REV D)

FOR REFERENCE ONLY. SUBJECT TO CHANGE WITHOUT NOTICE

OFF-ROAD

R-9765 Rooftop

Heater/Air Conditioner Unit

OFF-ROAD • CONSTRUCTION • INDUSTRIAL

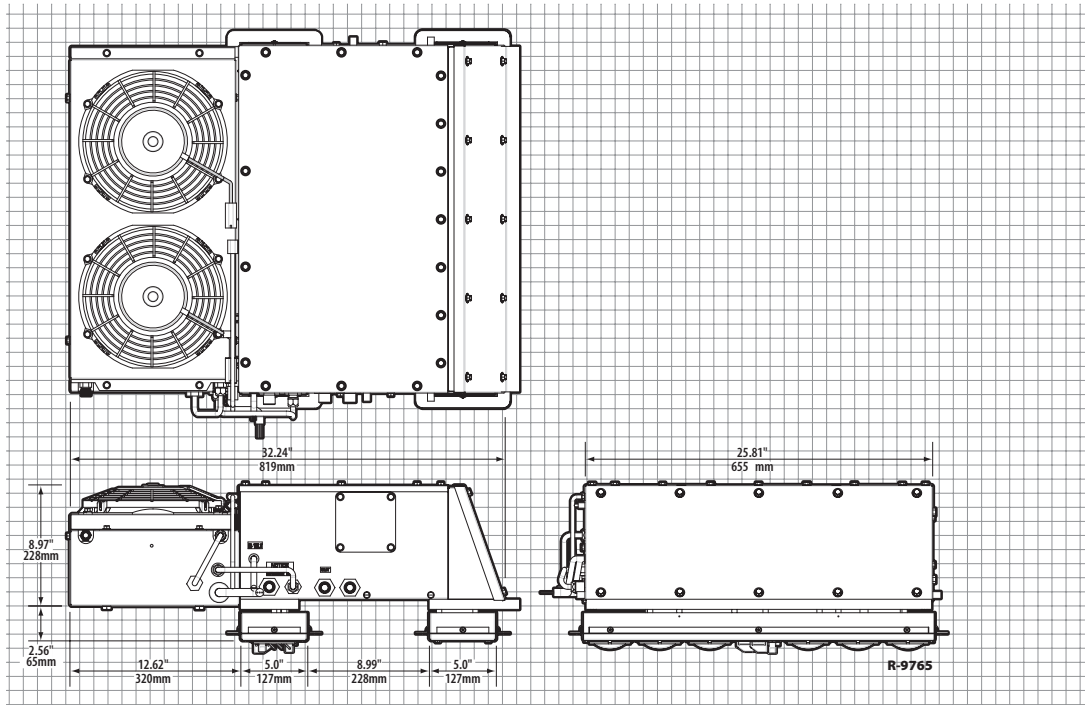
The R-9765 is designed as a direct-fit replacement for the Caterpillar wheel loader rooftop unit along with other applications from Cat and Kress.



HEATER-A/C

R-9765 SPECIFICATIONS

BTUs	Cooling - 27,000 BTU/Hr Heating - 48,000 BTU/Hr
AIR FLOW	415 CFM (705 m3/h)
WEIGHT	70 lbs. (32kg)
CURRENT	32 amps at 13.5 VDC
DRAW	17.6 amps at 27 VDC



R-9757 SYSTEM ORDERING GUIDE

	R-134a	NOTES
UNITS	R-9765-0P R-9765-0-24P	12 VDC - Heater A/C 24 VDC - Heater A/C
CONDENSER	Contained in the R-9765	
INSTALLATION KIT	78R1805	Refrigerant hose, fittings and hardware.
COMPRESSOR	Requires compressor and mounting kit	See Compressor Section

ON-ROAD/OFF-ROAD

R-9777 Rooftop

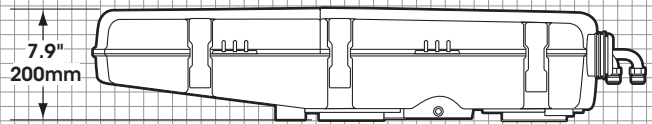
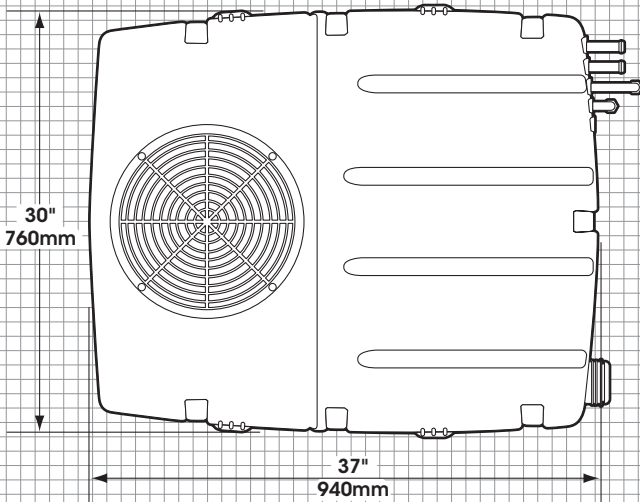
Heater/Air Conditioner

**CONSTRUCTION •
MINING •
AGRICULTURE**



The R-9777 rooftop unit packages high-performance heating and cooling capacity into a tough, sleek engineered-resin housing. At just 7.9 inches high and 65 lbs., it has the low profile and low weight necessary for installation and durability on many equipment cabs. Optional equipment includes a remote-mount filter and in-line booster blower for a pressurized, dust-free cab.

HEATER-A/C



Plenum
Included with kit

R-9777 SPECIFICATIONS

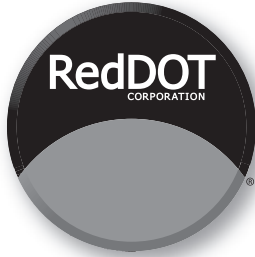
BTUs	Heating – 45,000 BTU/Hr @ 100°F (13.2 kW @ 37.8°C) air temperature rise Cooling – 25,000 BTU/Hr with 36°F (7.3 kW with 2.2°C) refrigerant temperature and 80°F (26.7°C) wet bulb entering air	
AIR FLOW	355 CFM (580 m ³ /h)	
WEIGHT	65 lbs.	
MOTORS	Evaporator – One 12 VDC, three speed (24 VDC available)	Condenser – One 12 VDC, low profile (24 VDC available)
CURRENT	38.2 amps @ 13.6 VDC (includes 4 amps for A/C clutch)	
DRAW	19.1 amps @ 27.2 VDC (includes 2 amps for A/C clutch)	

R-9777 SYSTEM ORDERING GUIDE

	R-134a	NOTES
UNITS	R-9777-0P R-9777-0-24P R-9777-1P R-9777-1-24P	Heater A/C 12VDC Heater A/C 24VDC A/C Only 12VDC A/C Only 24VDC
CONDENSER	Contained in the R-9777	
INSTALLATION KIT	78R1805	Refrigerant hose, fittings and hardware.
OPTIONS	Remote Mount Filters ** Replacement Filters Replacement Gasket Kit In-Line Booster Pressurizers * Replacement Receiver Drier	78R5100 (Horizontal) 78R5110 (Vertical) 78R5210 (Remote Mount) RD-3-10210-0P 73R9202 (12 VDC) For use with Remote Mount Filters 73R9204 (24 VDC) 74R2546, 74R2590
COMPRESSOR	Requires compressor and mounting kit See Compressor Section	

* Booster Pressurizer Can Only Be Used With Remote Mount Filters

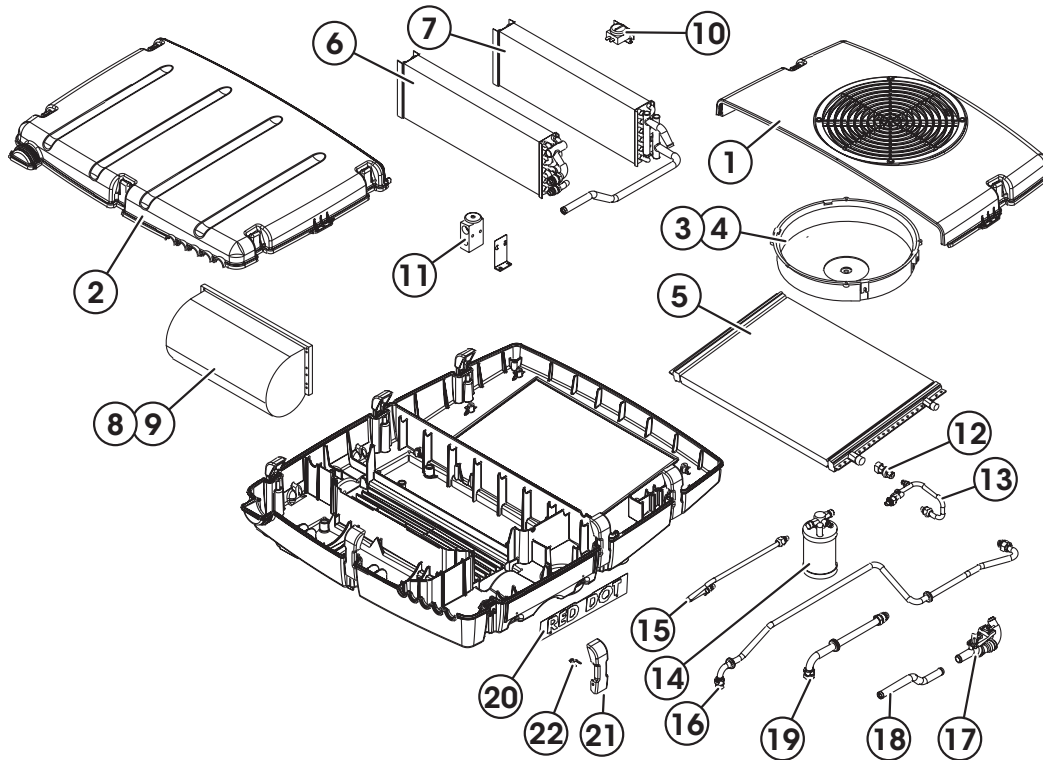
** Must be used with In-line Booster Pressurizer



Heater Air Conditioner Model R-9777-0,-1

SERVICE PARTS LIST

HEATER-A/C



ITEM	NOTE	PART NO.	DESCRIPTION	CAT. NO.
1		RD-3-9135-OP	Cover - Condenser - Gray	
2		RD-3-9152-OP	Cover - Evaporator - Gray	
3		RD-5-9076-2P	Fan/Motor Assembly, 12v	73R8642
4		RD-5-9076-3P	Fan/Motor Assembly, 24v	73R8644
5		RD-4-5378-OP	Condenser	77R1290
6		RD-1-1755-OP	Heater Core Assembly	76R1560
7		RD-2-3413-OP	Evaporator Assembly	76R5820
8		RD-5-8583-OP	Motor Blower Assembly, 12v	73R5552
9		RD-5-8583-1P	Motor Blower Assembly, 24v	73R5554
10		RD-5-4531-24P	Thermostat - Side & Btm Mnt	71R3200
11		RD-5-9513-OP	Expansion Valve	71R8380
12		RD-5-9577-OP	Pressure Switch	71R6150
13		RD-2-3418-OP	Tube - #6 Receiver Drier - Cond	
14		RD-5-9419-1P	Receiver Drier, R134a	74R2590
15		RD-2-3419-OP	Tube - #6 Condenser	
16		RD-4-5453-OP	Tube Assembly - Inlet Cond	
17		RD-5-9224-1P	Water Valve - Cable Operated	72R5285
18		RD-1-1896-OP	Tube - Heater	
19		RD-2-3416-OP	Tube Assembly - Outlet	
20		RD-3-9144-OP	Placard	
21		RD-3-9405-OP	Latch - Over Center Assembly - Gray	

ITEM	NOTE	PART NO.	DESCRIPTION	CAT. NO.
22		RD-3-9406-OM	Retainer - Latch Pivot	
23	A	RD-5-5260-0-.500M	Screw - #8 Plastite Hex HD.	
24	A	RD-5-5261-0-.750M	Screw - #12 Plastite Hex HD.	
25	A	RD-3-9608-OP	Wire Harness Assembly	
26	A	RD-3-12929-OP	Wire Harness Assembly (Cat Only)	
27	A	RD-5-6690-OP	Relay 12v	71R1902
28	A	RD-5-6693-OP	Relay 24v	71R1904
29	A	RD-3-9137-OP	Converter Control	
30	A	RD-3-9142-OP	Plenum - Outlet	
31	A	RD-5-9053-OP	Louver	72R3140
32	A	RD-5-10934-OP	Switch - Rotary 3 Speed	71R1163
33	A	RD-5-8967-OP	Switch - Rocker Black	71R0840
34	A	RD-5-8812-OP	Knob - Rotary Control	71R4015
35	A	RD-5-9077-1P	Filter - Recirc	78R5410M
36	A	RD-5-12203-OP	Cover - Recirc Filter	
37	A	RD-5-9437-OP	Resistor (For 12v)	71R1402
38	A	RD-5-9445-OP	Resistor (For 24v)	71R1401
39	A	RD-3-9388-OP	Plenum - Outlet Assembly (Heater-A/C)	
40	A	RD-3-9388-1P	Plenum - Outlet Assembly (A/C)	
41	A	RD-3-9389-OP	Plenum Recirc. Assy.	

NOTES: A= Not shown

RED DOT CORPORATION

P.O.Box 58270 Seattle, WA 98138 (206) 575-3840 AMCustomerService@RedDotCorp.com

RD-3-9141-0 (REV J)

FOR REFERENCE ONLY. SUBJECT TO CHANGE WITHOUT NOTICE

OFF-ROAD

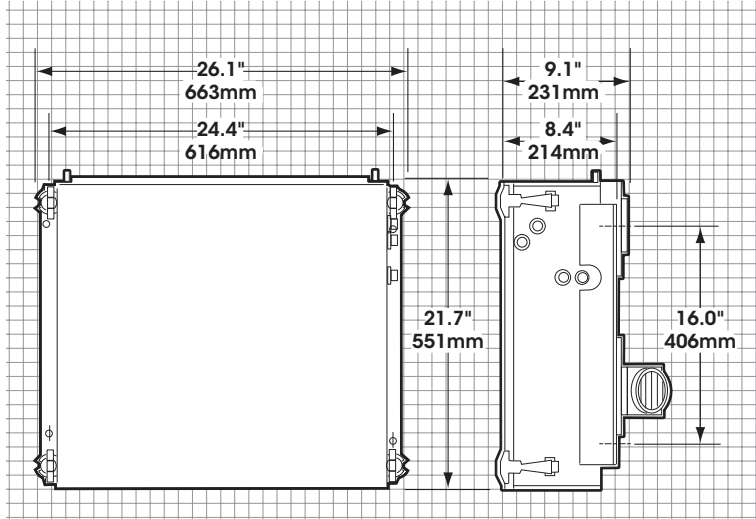
R-9800 RoofTop or Side Mount

Heater/Air Conditioner Unit

CONSTRUCTION • MINING • AGRICULTURE

Vertical or horizontal—the R-9800 mounts either way to fit your space. The control panel can be remote-mounted for the convenience of the operator. Rubber tie-downs unlatch for easy servicing of all components. Optional equipment includes a remote-mount filter and in-line booster blower for a pressurized, dust-free cab.

HEATER-A/C



R-9800 SPECIFICATIONS

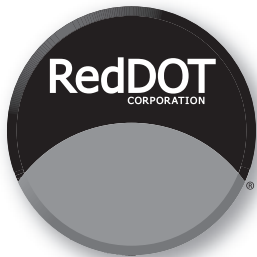
BTUs	Heating – 45,000 BTU/Hr @ 100°F (13.2 kW @ 37.8°C) air temperature rise Cooling – 25,000 BTU/Hr with 36°F (7.3 kW @ 2.2°C) refrigerant temperature and 80°F (26.7°C) wet bulb entering air
AIR FLOW	400 CFM (680 m³/h)
WEIGHT	70 lbs. (32 kg)
MOTORS	One 12 VDC, three-speed (24 VDC available)
CURRENT	22.7 amps @ 13.6 VDC (includes 4 amps for A/C clutch)
DRAW	11.4 amps @ 27.2 VDC (includes 2 amps for A/C clutch)

R-9800 SYSTEM ORDERING GUIDE

	R-134a	NOTES
UNIT	R-9800-0P R-9800-0-24P	12 VDC 24 VDC
CONDENSER	77R0700 Radiator Mount R-9725-3P Remote Mount R-9725-3P Remote Mount	See Condenser Section See Condenser Section See Condenser Section
INSTALLATION KIT	78R1705	Refrigerant hose, fittings and hardware
OPTIONS	Remote Mount Filters ** Replacement Filters Replacement Recirculating Filters Replacement Gasket Kit In-Line Booster Pressurizers * Replacement Receiver Drier Air Outlet Adapter for In-Line Booster Pressurizer	78R5100 (Horizontal) 78R5110 (Vertical) 78R5210 (Remote Mount) 78R5360 RD-3-7837-0P 73R9202 (12 VDC) For use with Remote Mount Filters 73R9204 (24 VDC) 74R2546 72R4531
COMPRESSOR	Requires compressor and mounting kit	See Compressor Section

* Booster Pressurizer can only be used with Remote Mount Filters

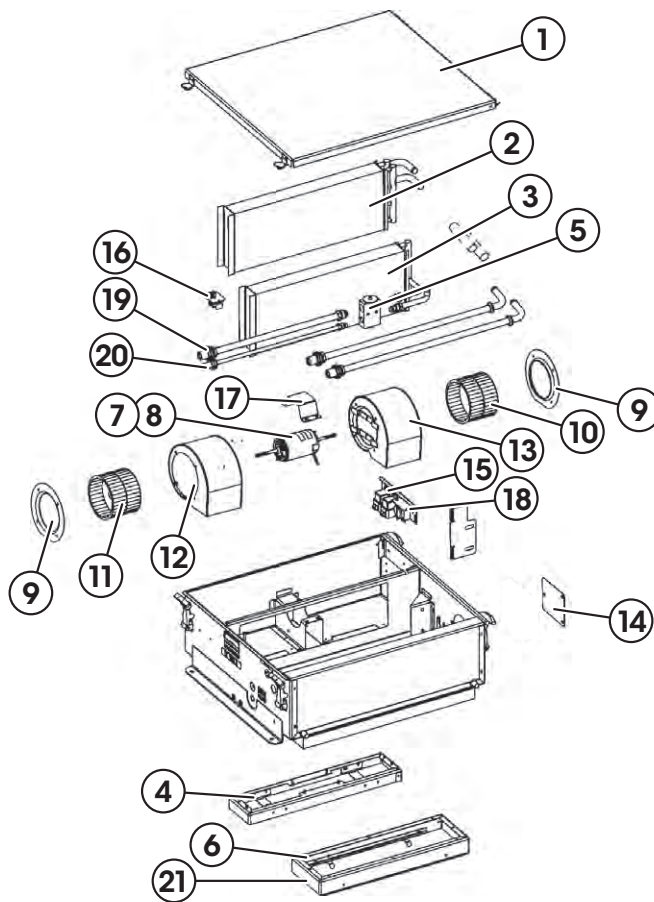
** Must be used with In-line Booster Pressurizer



Heater Air Conditioner Model R-9800-0

SERVICE PARTS LIST

HEATER-A/C



ITEM	NOTE	PART NO.	DESCRIPTION	CAT. NO.
1		Rd-3-7799-Op	Cover Assembly	
2		RD-1-1480-OP	Heator Core Assembly	76R1870
3		RD-2-2885-OP	Evaporator Assembly	76R5700
4		RD-3-7820-OP	Duct Assembly - Outlet	
5		RD-3-7822-OP	Valve - Expansion	71R8310
6		RD-3-7817-OP	Duct Assembly - Inlet	
7		RD-3-7383-OP	Motor Blower Assembly 12V	
8		RD-3-7383-1P	Motor Blower Assembly 24V	
9		RD-3-7376-OP	Ring - Entry	
10		RD-5-8092-OP	Blower Wheel (CW)	73R7200
11		RD-5-8092-1P	Blower Wheel (CCW)	73R7210
12		RD-3-7382-OP	Blower Assembly, Left Hand	
13		RD-3-7382-1P	Blower Assembly, Right Hand	

ITEM	NOTE	PART NO.	DESCRIPTION	CAT. NO.
14		RD-3-4814-3P	Plate - Fresh Air	
15		RD-3-7826-OP	Panel Assembly - Electric	
16		RD-5-3647-OP	Resistor	71R1450
17		RD-3-3174-OP	Retainer - Motor	
18		RD-5-4531-24P	Thermostat	71R3200
19		RD-2-2895-OP	Tube Assembly - Evaporator #10	
20		RD-2-2896-OP	Tube Assembly Evaporator #6	
21		RD-5-8076-1P	Filter- Air	78R5360M
22	A	RD-5-8397-OP	Plenum Assembly	
23	A	RD-5-8436-OP	Louver (4)	72R13120
24	A	RD-5-3779-OP	Speed Switch- Rotary, 4 Position	71R1165
25	A	RD-5-9013-OP	Switch- Rotary, Heat-A/C 3 Pos	
26	A	RD-3-7872-OP	Wire Harness Assembly	

NOTES: A= Not shown

RED DOT CORPORATION

P.O.Box 58270 Seattle, WA 98138 (206) 575-3840 AMCustomerService@RedDotCorp.com

RD-5-8399-0 (REV A)

FOR REFERENCE ONLY. SUBJECT TO CHANGE WITHOUT NOTICE

COMMON REPLACEMENT PARTS

R-1630

Part No.	Factory No.	Description	Notes
73R5532	RD-5-8837-0P	Motor- Double Blower, 12V	A
73R5534	RD-5-8838-0P	Motor Blower Assembly- Double, 24V	B
71R8300	RD-5-6868-0P	Valve- Expansion	
71R3200	RD-5-4531-24P	Thermostat- Side & Bottom Mounted	

Notes: A = R-1630-1P (12V) B = R-1630-1-24P (24V)

R-2000

Part No.	Factory No.	Description	Notes
71R4015	RD-5-8812-0P	Knob- Control, Rotary	
71R1450	RD-5-3647-0P	Resistor- Speed Control, Single Fan	
71R1150	RD-5-3646-0P	Switch- Rotary, 3 Speed	
71R2250	RD-4125-36P	Thermostat	
72R3135	RD-5-10236-0P	Louver	

Notes: A = R-2000-11P (12V) B = R-2000-11-24P (24V)

R-2300

Part No.	Factory No.	Description	Notes
73R5532	RD-5-8837-0P	Motor- Double Blower, 12V	A
73R5534	RD-5-8838-0P	Motor- Double Blower, 24V	B
71R8301	RD-5-6868-0P	Valve- Expansion	
71R3150	RD-5-6429-0P	Thermostat	

Notes: A = R-2300-0P, -1P, -2P (12V) B = R-2300-0-24P, -1-24P, -2-24P (24V)

R-2550

Part No.	Factory No.	Description
73R5622	RD-5-9204-0P	Motor Blower Assembly, 12V
70R8321	RD-5-7015-0P	Valve- Expansion

R-4122

Part No.	Factory No.	Description
	RD-3-4058-0P	Motor/ Blower Assembly
71R8301	RD-5-6868-0P	Valve- Expansion
76R6140	RD-2-1590-0P	Evaporator Assembly

R-3310

Part No.	Factory No.	Description
	RD-3-15167-0P	Motor Blower Assembly
	RD-5-5123-24	Hose, Flex 2- 1/2"

R-5040

Part No.	Factory No.	Description	Notes
	RD-3-3731-0P	Motor Blower Assembly, 12V	B
	RD-3-3731-1P	Motor Blower Assembly, 24V	C
71R8301	RD-5-6868-0P	Valve- Expansion	A
71R3200	RD-5-4531-24P	Thermostat- Side & Bottom Mounted	A

Notes: A = R-5040-4P,-6P (Heater- A/C) B = R-5040-0P, -4P (12V) C = R-5040-2P, -6P (24V)

Part No.	Factory No.	Description	Notes
78R5355	RD-3-10591-0P	Filter- Recirc	
76R2740	RD-1-2069-0P	Core- Heater Assembly	
76R6325	RD-2-3832-0P	Core- Evaporator Assembly	

Part No.	Factory No.	Description	Notes
71R8301	RD-5-6868-0P	Valve- Expansion	
	RD-2-3000-0P	Motor/Blower/Mount Assembly, 12V	A
	RD-2-3000-2P	Motor/Blower/Mount Assembly, 24V	B
76R5200	RD-2-0993-1P	Evaporator Assembly	
	RD-2-5853-0P	Cover Assembly	

Part No.	Factory No.	Description	Notes
	RD-2-5661-0P	Evaporator Assembly	
	RD-1-3436-0P	Core- Heater Assembly	C
	RD-3-12104-0P	Core- Heater/Evaporator	D

C = R-2300-1P, -1-24P D = R-2300-2P, -2-24P

Part No.	Factory No.	Description
76R4020	RD-1-1748-0P	Heater Core Assembly
	RD-2-3812-0P	Evaporator Assembly

Part No.	Factory No.	Description
76R2450	RD-1-0665-0P	Heater Core Assembly
71R1450	RD-5-3647-0P	Resistor

Part No.	Factory No.	Description
74R3077	RD-5-11534-0P	Reciever Drier
	RD-4-7190-0P	Condenser Assembly

Part No.	Factory No.	Description	Notes
71R1450	RD-5-3647-0P	Resistor- Speed Control, Single Fan	
76R7070	RD-2-1370-0P	Evaporator Assembly	A
76R3500	RD-1-0325-0P	Core- Heater	

COMMON REPLACEMENT PARTS

R-5045

Part No.	Factory No.	Description	Notes
	RD-3-3753-0P	Clip Filter	
	RD-5-5428-1P	Filter	
71R2250	RD-4125-36P	Thermostat	
	RD-5-9013-0P	Switch- Rotary, 3 Switch	
	RD-5-11783-0P	Switch- Fan Speed, Rotary	
	RD-5-7999-0P	Converter- Cable, Control	
	RD-5-5505-20	Cable- Control, Double Loop	
71R4015	RD-5-8812-0P	Knob- Control, Rotary	
	RD-3-15381-0	Panel- Control	
	RD-3-15380-0	Control Panel Assembly	A
	RD-3-15504-0	Control Panel Assembly	B
	RD-5-5223-2P	Air Diffuser Assembly	

Notes: **A** = R-5045-5-P, -5-24P **B** = R-5045-6P -6-24P **C** = R-5045-5P, -6P (12V) **D** = R-5045-5-24P, -6-24P (24V)

R-5075

Part No.	Factory No.	Description
	RD-3-3729-2	Motor Blower Assembly, 12V
	RD-3-3729-3	Motor Blower Assembly, 24V
	RD-3-7254-0P	Plenum Assembly- Control Panel, 12V
	RD-3-7254-1P	Plenum Assembly- Control Panel, 24V
72R5250	RD-5-7760-0P	Valve- Water, Cable Operated
71R8301	RD-5-6868-0P	Valve- Expansion

Notes: **A** = R-5075-0P (12V) **B** = R-5075-0-24P (24V)

R-6100

Part No.	Factory No.	Description	Notes
	RD-2-1206-0P	Motor Blower Assembly, 12V	A
73R4264	RD-5-5121-2P	Motor 24V	B
73R6300	RD-5-7312-0P	Blower Wheel- CCW	
73R6350	RD-5-7311-0P	Blower Wheel- CW	
	RD-3-4755-2P	Motor- Condenser Assembly, 12V	A
	RD-3-4755-3P	Motor- Condenser Assembly, 24V	B
71R2250	RD-4125-36P	Thermostat	
71R1150	RD-5-3646-0P	Switch- Rotary, 3 Speed	

Notes: **A** = R-6100-4P (12V) **B** = R-6100-4-24P (24V)

R-6101

Part No.	Factory No.	Description	Notes
71R8301	RD-5-6868-0P	Expansion Valve	
73R5534	RD-5-8838-0P	Blower Assy 24V	B
73R5532	RD-5-8837-0P	Blower Assy 12V	A
71R1150	RD-5-3646-0P	Fan Speed Switch	
	RD-5-11990-0P	Pressure Switch - Dual Function	
71R2250	RD-4125-36P	Thermostat	
73R8644	RD-5-9076-3P	Fan/Motor Assy 24V	B

Notes: **A** = R-6101-0P (12V) **B** = R-6101-0-24P (24V)

Part No.	Factory No.	Description	Notes
71R8301	RD-5-6868-0P	Valve- Expansion	
76R7070	RD-2-1370-0P	Evaporator Assembly	
71R1450	RD-5-3647-0P	Resistor	
76R3500	RD-1-0325-0P	Heater Core Assembly	
72R5230	RD-5-7760-2P	Water Valve	
73R7151	RD-3-2557-2P	Blower Wheel	
	RD-3-2547-1P	Blower Assembly	
	RD-3-2547-0P	Blower Assembly	
	RD-5-5049-1P	Motor 12V	C
	RD-5-5049-2P	Motor 24V	D
	RD-3-14440-0P	Cover- Core Front	

Part No.	Factory No.	Description
71R3100	RD-4427-24P	Thermostat
71R1450	RD-5-3647-0P	Resistor- Speed Control, Single Fan
	RD-5-8076-1P	Air Filter
76R7070	RD-2-1370-0P	Evaporator Assembly
76R3500	RD-1-0325-0P	Heater Core

Part No.	Factory No.	Description	Notes
71R8301	RD-5-6868-0P	Valve- Expansion	
74R2447	RD-5-7272-1P	Receiver Drier- Assembly	
	RD-5-7297-0P	Fan- 10"	
76R5500	RD-2-1195-0P	Evaporator Assembly	
	RD-2-2890-0P	Drain Pan Assembly	
73R8100	RD-2-1189-0P	Cover Assembly- Outer	
77R0620	RD-4-4738-0P	Condenser Assembly	

Part No.	Factory No.	Description	Notes
73R8642	RD-5-9076-2P	Fan/Motor Assy 12V	A
74R2590	RD-5-9419-1P	Receiver Drier	
	RD-2-7179-0P	Evaporator	
	RD-4-7337-0P	Condenser	
	RD-3-19087-0P	Housing Cover	
	RD-2-5974-0P	Plenum	

COMMON REPLACEMENT PARTS

R-6840

Part No.	Factory No.	Description	Notes
73R5572	RD-5-9194-0P	Motor Blower Assembly- 12v	A
73R5584	RD-5-9194-1P	Motor Blower Assembly- 24v	B
71R8301	RD-5-6868-0P	Valve- Expansion	
71R2250	RD-4125-36P	Thermostat	
71R1160	RD-5-9833-0P	Switch- Rotary, 3 Speed (25 amp)	

Notes: A = R-6840-0P (12V) B = R-6840-0-24P (24V)

Part No.	Factory No.	Description	Notes
71R1450	RD-5-3647-0P	Resistor- Speed Control, Single Fan	
72R3120	RD-5-8436-0P	Louver	
71R4015	RD-5-8812-0P	Knob- Control, Rotary	
76R7555	RD-2-5125-1P	Core- Evaporator Plate/ Fin	

R-7830

Part No.	Factory No.	Description	Notes
	RD-3-3895-0P	Motor Blower Assembly- 12v	A
	RD-3-3895-1P	Motor Blower Assembly- 24v	B
71R8301	RD-5-6868-0P	Valve- Expansion	
	RD-2-1316-0P	Evaporator Assembly	

Notes: A = R-7830-0P (12V) B = R-7830-0-24P (24V)

Part No.	Factory No.	Description	Notes
	RD-2-1487-0P	Control Panel Assembly	
	RD-5-5223-0P	Air Diffuser Assembly	
	RD-5-5223-1P	Air Diffuser Assembly	
71R2250	RD-4125-36P	Thermostat	

R-8500

Part No.	Factory No.	Description	Notes
73R5672	RD-3-14448-0P	Motor Blower Assembly- 12v	A
73R5674	RD-3-14448-1P	Motor Blower Assembly- 24v	B
71R8301	RD-5-6868-0P	Valve- Expansion	
	RD-5-4531-24P	Thermostat	
	RD-5-6987-0P	Louver- Driver	

Notes: A = R-8500-2P, -3P (12V) B = R-8500-2-24P, -3-24P (24V)

Part No.	Factory No.	Description	Notes
	RD-5-5222-0P	Louver- Air Diffuser Assembly	
	RD-1-0830-0P	Heater Core Assembly	
	RD-3-6162-1P	Air Filter	
	RD-2-1909-0P	Evaporator Assembly	

R-8545

Part No.	Factory No.	Description	Notes
	RD-3-17687-0P	Motor Blower Assembly- 12v	A, C
	RD-3-17687-1P	Motor Blower Assembly- 24v	B, D
	RD-3-13403-0P	Plenum- Control Panel Assembly	A
	RD-3-13403-2P	Plenum- Control Panel Assembly	B
	RD-3-13403-1P	Plenum- Control Panel Assembly	C
	RD-3-13403-3P	Plenum- Control Panel Assembly	D

Notes: A = R-8545-16P B = R-8545-16-24P C = R-8545-17P D = R-8545-17-24P

Part No.	Factory No.	Description	Notes
72R5220	RD-5-7760-1P	Valve- Water, Cable Operated	A, B
71R8301	RD-5-6868-0P	Valve- Expansion	
71R3100	RD-4427-24P	Thermostat	
78R5340	RD-5-6240-0P	Filter- Recirc	
76R5300	RD-2-1664-0P	Evaporator Assembly	
	RD-1-0771-0P	Heater Core Assembly	A, B

R-9520

Part No.	Factory No.	Description	Notes
	RD-3-7383-0P	Motor Blower Assembly- 12v	A
	RD-3-7383-1P	Motor Blower Assembly- 24v	B
76R3465	RD-1-2006-0P	Heater Core Assembly	

Notes: A = 9520-0P (12V) B = 9520-0-24P (24V)

Part No.	Factory No.	Description	Notes
	RD-5-8076-1P	Air Filter	
71R3200	RD-5-4531-24P	Thermostat	
	RD-2-5772-0P	Evaporator Core Assembly	

R-9530

Part No.	Factory No.	Description	Notes
	RD-5-8583-0P	Motor Blower Assembly- 12v	A
	RD-5-8583-1P	Motor Blower Assembly- 24v	B
71R8301	RD-5-6868-0P	Valve- Expansion	

Notes: A = R-9530-0P, -1P (12V) B = R-9530-0-24P, -1-24P (24V)

Part No.	Factory No.	Description	Notes
	406433	Evaporator Coil	
	406434	Heater Coil	
	RD-3-18633-0P	Drain Pan	

COMMON REPLACEMENT PARTS

R-9560

Part No.	Factory No.	Description	Notes
71R8301	RD-5-6868-0P	Expansion Valve	
	RD-5-10796-0P	Rectangular Louver	
73R5534	RD-5-8838-0P	Blower Assy 24V	B, D
73R5532	RD-5-8837-0P	Blower Assy 12V	A, C
	RD-5-13530-0P	Fan Speed Switch	
	406334	Rotary Switch	A, B

Notes: A = 9560-0P (12V) B = 9560-0-24P (24V) C = R-9560-1P (12V)

Part No.	Factory No.	Description	Notes
	408466	Filter	
	RD-2-6825-0P	Evaporator	C, D
	RD-3-18282-0P	Combo Core	A, B
70R6508	RD-5-8773-0P	#8 Bulkhead fitting	A, B
	RD-6-5893-0P	Electronic Thermostat	

D = R-9560-1-24P (24V)

R-9715

Part No.	Factory No.	Description	Notes
73R5502	RD-3-6770-0P	Motor Blower Assembly- 12v	A
73R5504	RD-3-6770-24P	Motor Blower Assembly- 24v	B
71R8321	RD-5-7015-0P	Valve- Expansion	
71R2250	RD-4125-36P	Thermostat	
71R1150	RD-5-3646-0P	Switch - Rotary, 3 Speed	

Notes: A = R-9715-11P (12V) B = R-9715-11-24P (24V)

Part No.	Factory No.	Description	Notes
71R1450	RD-5-3647-0P	Resistor- Speed Control, Single Fan	
71R4040	RD-5-5928-0P	Knob- Control	
78R5253M	RD-1-0860-1P	Filter	
76R6040	RD-2-2928-0P	Evaporator Assembly	
	RD-5-8421-5P	Cover- Plastic Housing	

R-9727

Part No.	Factory No.	Description	Notes
	RD-3-3914-2	Condenser motor- 12v	A
	RD-3-3914-3P	Condenser motor- 24v	B
	RD-5-3860-4P	Blower Motor Assembly- 12V	A
	RD-5-3860-5P	Blower Motor Assembly- 24V	B
71R1150	RD-5-3646-0P	Switch- Rotary, 3 Speed	
73R8100	RD-4-3508-0P	Fan	
71R1450	RD-5-3647-0P	Resistor- Speed Control, Single Fan	
	RD-5-4195-0P	Anchor- Rubber, Tie Down	

Notes: A = R-9727-2P (12V) B = R-9727-2-24P (24V)

Part No.	Factory No.	Description	Notes
	RD-5-3894-1P	Fan- Guard Assembly	
77R0350	RD-4-3586-0P	Condenser Assembly	
76R7100	RD-2-1121-2P	Evaporator Cross Flow	
71R2250	RD-4125-36P	Thermostat	
74R2577	RD-5-7061-6P	Receiver Drier	
72R7050	RD-5-4640-0P	Binary Pressure Switch	
71R8301	RD-5-6868-0P	Valve- Expansion	
	RD-2-1060-0P	Drain Pan Assembly	

R-9750

Part No.	Factory No.	Description	Notes
73R5532	RD-5-8837-0P	Motor- Double Blower, 12V	A
73R5534	RD-5-8838-0P	Motor- Double Blower, 24V	B
	RD-5-5505-33P	Control Cable, Double Loop	C
71R0010	RD-5-3748-0P	Switch- Toggle, SPST	D
	RD-3-7305-0P	Water Valve Assembly	C
71R8301	RD-5-6868-0P	Valve- Expansion	
71R2250	RD-4125-36P	Thermostat	
71R0400	RD-5-0071-0P	Switch- Toggle, SPDT On-On-On	

Notes: A = R-9750-9P, -10P (12V) B = R-9750-9-24P, -10-24P (24V) C = R-9750-9P, -9-24P (HTR-A/C) D = R-9750-10P, -10-24P (A/C)

Part No.	Factory No.	Description	Notes
71R0200	RD-4123-2P	Switch- Toggle DPDT	C
72R3120	RD-5-8436-0P	Louver	
71R4015	RD-5-8812-0P	Knob- Control, Rotary	
76R1000	RD-1-0726-0P	Heater Core Assembly	C
78R5310M	RD-3-4804-1P	Filter- Recirc	
76R4900	RD-2-1633-0P	Evaporator Assembly	
	RD-5-7999-1P	Converter- Cable, Control	C

COMMON REPLACEMENT PARTS

R-9753

Part No.	Factory No.	Description	Notes
	450828	Motor Blower Assembly- 12v	A
	504029	Motor Blower Assembly- 24v	B
	301337	Knob, Pointer Push On	
	402284	Switch, A/C Temp Rotary	
71R8301	RD-5-6868-0P	Valve- Expansion	
72R3135	RD-5-10236-0P	Louver	

Notes: **A** = R-9753-0P, -1P (12V) **B** = R-9753-0-24P, -1-24P (24V)

Part No.	Factory No.	Description	Notes
	RD-5-13530-0P	Switch, Rotary Fan	
	407800	Evaporator Coil	
	407813	Filter	
	504019	Drain Pan	
	407801	Coil	
	450813	Switch, Pot	

R-9755

Part No.	Factory No.	Description	Notes
73R5662	RD-5-12742-0P	Motor Blower Assembly- 12v	A
73R5664	RD-5-12742-24P	Motor Blower Assembly- 24v	B
71R8301	RD-5-6868-0P	Valve- Expansion	
71R1150	RD-5-3646-0P	Switch- Rotary, 3 Speed	
	RD-6-5893-0P	Electronic Thermostat	

Notes: **A** = R-9755-0P (12V) **B** = R-9755-0-24P (24V)

Part No.	Factory No.	Description	Notes
72R3130	RD-5-9024-0P	Louver	
71R4040	RD-5-5928-0P	Knob- Control	
76R4920	RD-2-2047-0P	Evaporator	
78R5350	RD-5-6867-0P	Filter	

R-9757

Part No.	Factory No.	Description	Notes
	RD-3-7383-0P	Motor Blower Assembly- 12v	A
	RD-3-7383-1P	Motor Blower Assembly- 24v	B
	RD-5-8086-0P	Retainer Assembly	
71R1450	RD-5-3647-0P	Resistor- Speed Control, Single Fan	
74R2447	RD-5-7272-1P	Receiver Drier Assembly	
76R1860	RD-1-1379-0P	Heater Core Assembly	
	RD-5-13259 -4P	Fan/Motor Assembly-12VDC	A
	RD-5-13259-5P	Fan/Motor Assembly-24VDC	B

Notes: **A** = R-9757-0P **B** = R-9757-0-24P

Part No.	Factory No.	Description	Notes
76R6015	RD-2-2791-0P	Evaporator Assembly	
72R9005	RD-5-6917-2P	Convertor Control	
77R0660	RD-4-4724-0P	Condenser Assembly	
72R5220	RD-5-7760-1P	Valve- Water, Cable Operated	
71R8301	RD-5-6868-0P	Valve- Expansion	
71R3200	RD-5-4531-24P	Thermostat	
71R7075	RD-5-8433-0P	Switch- Binary, Pressure	

R-9765

Part No.	Factory No.	Description	Notes
	450819	Motor Blower Assembly- 12v	A
	450818	Motor Blower Assembly- 24v	B
71R1912	RD-5-7232-0P	Relay- 12V	A
71R1904	RD-5-6693-0P	Relay- 24V	B
	450782	Fan- 12V	A
	450814	Fan- 24V	B
	301337	Knob- Pointer Push On	
	404968	Switch, Thermostat	
71R8301	RD-5-6868-0P	Valve- Expansion	

Notes: **A** = R-9765-0P (12V) **B** = R-9765-0-24P (24V)

Part No.	Factory No.	Description	Notes
71R7075	RD-5-8433-0P	Binary Pressure Switch	
	RD-5-13530-0P	Switch, Rotary, Fan	
74R0462	RD-5-7064-1P	Receiver Drier	
	406334	Switch, Rotary	
	407368	Coil Condenser	
	407399	Heater Coil	
	407714	Evaporator Coil	
	504007	Electric Actuator and Bracket	
	450815	Water Valve	

COMMON REPLACEMENT PARTS

R-9777

Part No.	Factory No.	Description	Notes
73R5552	RD-5-8583-0P	Motor Blower Assembly- 12V	A
73R5554	RD-5-8583-1P	Motor Blower Assembly- 24V	B
73R8642	RD-5-9076-2P	Fan/ Motor Assembly- 12V	A
73R8644	RD-5-9076-3P	Fan/ Motor Assembly- 24V	B
71R1902	RD-5-6690-0P	Relay- 12V	A
71R1904	RD-5-6693-0P	Relay- 24V	B
	RD-3-9137-0P	Converter- Cable Control	C
71R2250	RD-4125-36P	Thermostat	D

Notes: A = R-9777-0P, 1P (12V) B = R-9777-0-24P, -1-24P (24V) C = R-9777-0P, -0-24P (HTR-A/C) D = R-9777-1P, -1-24P (A/C)

R-9800

Part No.	Factory No.	Description	Notes
	RD-3-7383-0P	Motor Blower Assembly- 12V	A
	RD-3-7383-1P	Motor Blower Assembly- 24V	B
71R3200	RD-5-4531-24P	Thermostat	
71R1450	RD-5-3647-0P	Resistor- Speed Control	

Notes: A = R-9800-0P (12V) B = R-9800-0-24P (24V)

Part No.	Factory No.	Description	Notes
72R5285	RD-5-9224-1P	Valve- Water, Cable Operated	C
71R8380	RD-5-9513-0P	Valve- Expansion	
71R3200	RD-5-4531-24P	Thermostat- Side & Bottom Mounted	C
71R6150	RD-5-9577-0P	Pressure Switch	
74R2590	RD-5-9419-1P	Receiver Drier	
76R1560	RD-1-1755-0P	Heater Core Assembly	C
76R5820	RD-2-3413-0P	Evaporator Assembly	
77R1290	RD-4-5378-0P	Condenser	

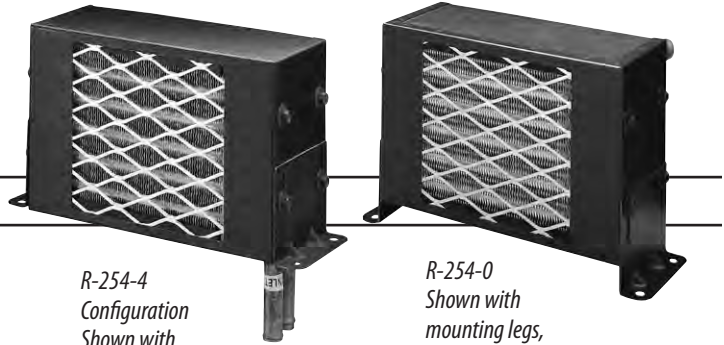
Part No.	Factory No.	Description	Notes
71R8310	RD-3-7822-0P	Valve- Expansion	
76R5700	RD-2-2885-0P	Evaporator Assembly	
76R1870	RD-1-1480-0P	Heater Core Assembly	

R-254 & R-255

Auxiliary Heaters

RV • TRUCKS

Tried and true, our R-254 (single-fan) and R-255 (double-fan) auxiliary heaters are among the most versatile and maintenance-free heaters you'll find. Their round-tube-and-fin design lets you mount these heaters in any position using our multi-position leg brackets or flush-mount frame, and their compact size, simple plumbing, and high output make them ideal for any application.



R-254-4 Configuration Shown with mounting legs, floor exit

R-254-0 Shown with mounting legs, rear exit

SPECIFICATIONS

	R-254	R-255
BTUS	16,000 BTU/Hr @ 150°F (4.69kw @ 65.6°C) air temp. rise	30,000 BTU/Hr @ 100°F (8.79kw @ 37.8°C) air temp. rise
AIR FLOW	150 CFM (255 m ³ /h)	280 CFM (476 m ³ /h)
WEIGHT	7 lbs. (3 kg)	12 lbs. (5.5 kg)
CURRENT	3.3 amps @ 13.6 VDC	6.6 amps @ 13.6 VDC
Draw	1.7 amps @ 27.2 VDC	3.3 amps @ 27.2 VDC
MODELS	Single Fan 5/8" fittings, rear exit: R-254-0P (12 VDC) R-254-0-24P (24 VDC) 3/4" fittings, rear exit: R-254-1P (12 VDC) FLOOR EXIT 5/8" fittings: R-254-4P (12 VDC)	Double Fan 5/8" fittings, rear exit: R-255-10P (12 VDC) R-255-10-24P (24 VDC) FLOOR EXIT 5/8" fittings: R-255-12P (12 VDC)

OPTIONS:

Heater Hose
78R0100

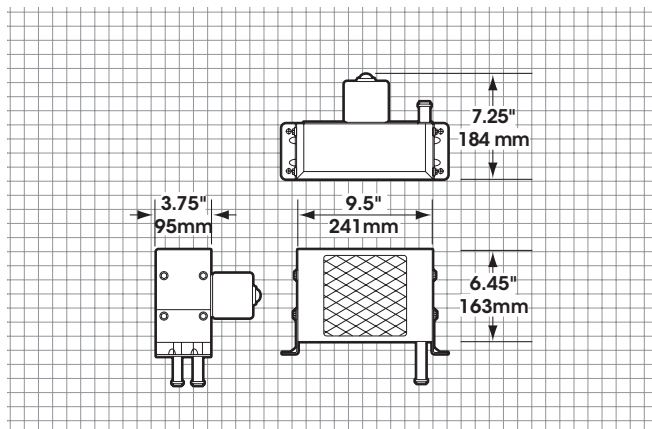
Toggle Switch
71R0100

Defrost Hose Outlet 3 1/2"
RD-1-0639-0P

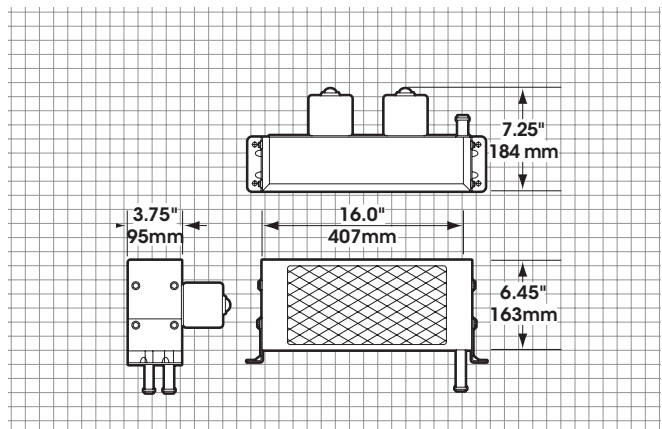
5/8" to 3/4" Adapter
70R7110

Control Panel
71R5819
Heater control -
Two-speed motor switch with manual water valve control

Diagrams for R-254



Diagrams for R-255



LS = Limited to stock on hand

HEATER ONLY

R-270

Auxiliary Heater

RV • TRUCKS

The R-270 is a compact heater with two optional "snap-in" outlets so you can direct the air to where you need it.



R-270 SPECIFICATIONS

BTUs	Heating – 15,000 BTU/Hr @ 100°F air temp. rise (4.4 kW @ 34.8°C)
AIR FLOW	140 CFM (237 m ³ /h)
WEIGHT	7 lbs. (3 kg)
MOTORS	One 12 VDC (2-speed)
CURRENT DRAW	7.7 amps @ 13.6 VDC 3.8 amps @ 27.2 VDC
UNITS	R-270-0P (12 VDC) R-270-0-24P (24 VDC)

OPTIONS:

Snap In Outlets

Straight 2 1/4" Hose Outlet
72R4532

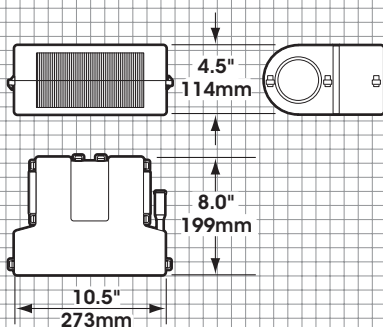


Louvered Outlet
72R3157



Installation Kit
RD-1-1654-0P 12VDC

Control Panel
71R5819
Heater control -
Two-speed motor switch with manual
water valve control



R-273

Auxiliary Heater

RV • TRUCKS

The R-273 is a compact heater with optional "snap-in" outlet so you can direct the air to where you need it.



R-270 SPECIFICATIONS

BTUS	Heating – 14,000 BTU/Hr @ 100°F air temp. rise (4.1 kW @ 34.8°C)
AIR FLOW	129 CFM (220 m ³ /h)
WEIGHT	3 lbs. (1.35 kg)
MOTORS	One 12 VDC (3-speed)
CURRENT DRAW	4.6 amps @ 13.6 VDC 2.3 amps @ 27.2 VDC
UNITS	R-273-0P (12 VDC) R-273-0-24P (24 VDC)

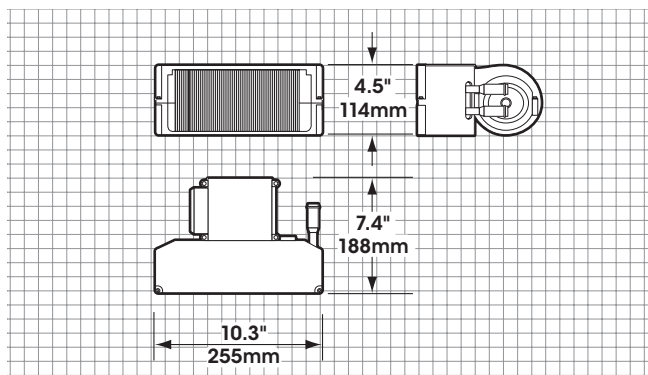
OPTIONS:

Louvers

RD-5-14071-0P



Installation Kit
RD-1-1654-0P



R-290

Auxiliary Heater (Single Blower)

The R-290 is a compact, high-velocity heater with a single three-speed blower motor. A defrost hose adapter is available for ducting air.

R-290 SPECIFICATIONS

BTUS	20,000 BTU/Hr @ 150°F (kw 5.86 @ 65.6°C) air temp. rise	
AIR FLOW	220 CFM (373 m ³ /h)	
WEIGHT	7 lbs. (3 kg)	
CURRENT DRAW	4.3 amps @ 13.6 VDC (high speed) 2.7 amps @ 27.2 VDC (high speed)	
MODELS	R-290-0P	(12 VDC), 5/8 fitting rear exit
	R-290-0-24P	(24 VDC), 5/8 fitting rear exit
	R-290-4P	(12 VDC), 5/8 fitting floor exit
	LS R-290-4-24P	(24 VDC), 5/8 fitting floor exit

LS = Limited to stock on hand

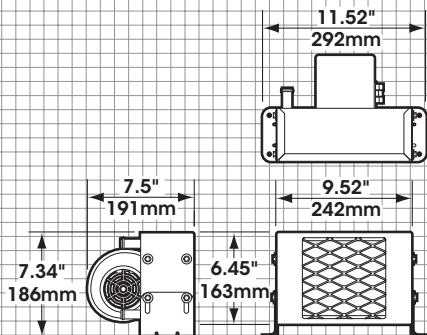


OPTIONS:

Defrost Hose Outlet Adapter	Switch	Knob
3 1/2" RD-1-0639-0P	71R1150	71R4050

Control Panel

71R5821 Heater control – Three-speed motor switch with manual water valve control



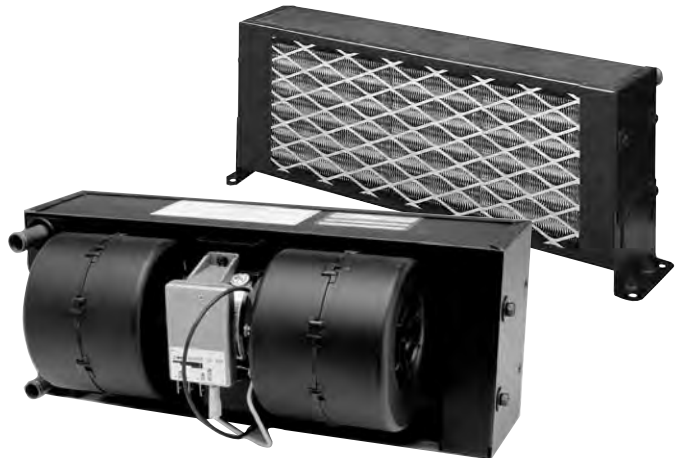
R-295

Auxiliary Heater (Double Blower)

With a three-speed blower motor, the R-295 produces 430 CFM—a powerful, compact, and robust heater. A defrost hose adapter is available for ducting air.

R-295 SPECIFICATIONS

BTUS	35,000 BTU/Hr @ 180°F (kw 10.25 @ 82°C) air temp. rise	
AIR FLOW	430 CFM (730 m ³ /h)	
WEIGHT	11 lbs. (5 kg)	
CURRENT DRAW	16 amps @ 13.6 VDC (high speed) 7 amps @ 27.2 VDC (high speed)	
UNITS	R-295-0P	(12 VDC), 5/8 fitting rear exit
	R-295-0-24P	(24 VDC), 5/8 fitting rear exit
	R-295-4P	(12 VDC), 5/8 fitting floor exit

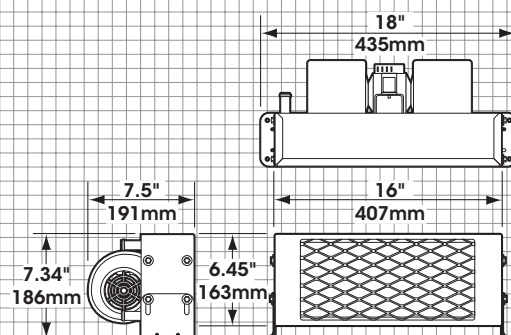


OPTIONS:

Defrost Hose Outlet Adapter	Switch	Knob
3 1/2" RD-1-0639-0P (uses two)	71R1150	71R4050

Control Panel

71R5821 Heater control – Three-speed motor switch with manual water valve control



R-297

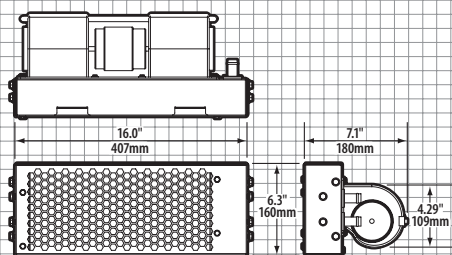
Auxiliary Double Blower Heater

TRUCK SLEEPERS

The R-297 is a powerful, three-speed floor-mounted heater for cabs used in demanding environments.

R-297 SPECIFICATIONS

BTUS	Heating - 28,000 BTU/Hr	
AIR FLOW	300 CFM (510 m ³ /h)	
WEIGHT	9.8 lbs. (4 kg)	
CURRENT DRAW	6A @ 27V 12A @ 13.5V	
UNITS	R-297-0P	12 VDC
	R-297-0-24P	24 VDC



R-297

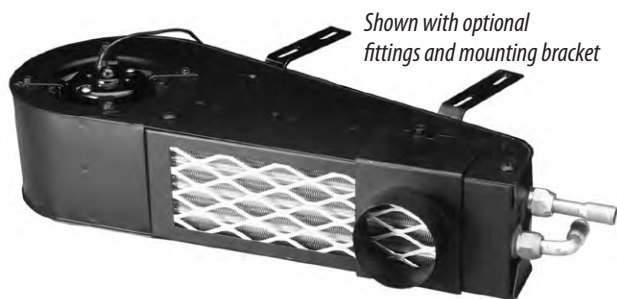
R-2020

Auxiliary Heater-Defrost and Oil Cooler

MARINE • INDUSTRIAL • CONSTRUCTION

R-2020 SPECIFICATIONS

BTUS	Heat -17,800 BTU/Hr @ 100°F (kw 5.21 @ 37.8°C) with water for heat source (BTU's per hour with oil for heat source lower)
AIR FLOW	165 CFM (280 m ³ /h)
WEIGHT	10.7 lbs. (4.85 kg)
MOTOR	One 12 VDC or one 24 VDC single speed
CURRENT DRAW	6 amps @ 13.6 VDC, 3 amps @ 27.2 VDC
UNITS	R-2020-0P (12 VDC), R-2020-0-24P (24 VDC)



Shown with optional fittings and mounting bracket

OPTIONS:

2 1/2" Defrost Adapter

72R3601

3" Defrost Adapter

72R3603

Swivel Fittings

70R7600 (Straight 5/8" hose)

70R7650 (90° 5/8" hose)

Hoses

78R0100 (Heater, 5/8" 50ft)

78R0250 (Defrost, 2 1/2" 9ft)

78R0300 (Defrost, 3" 9ft)

Switches

71R0050 (Toggle, ON-OFF)

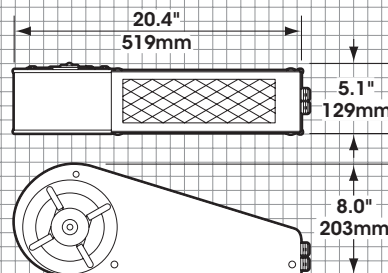
71R1210 (Rotary, 3-speed)

Mounting Bracket

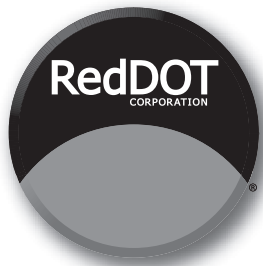
RD-1-0419-0P

Control Panel

71R5817 Heater control - Single speed motor switch with manual water valve control



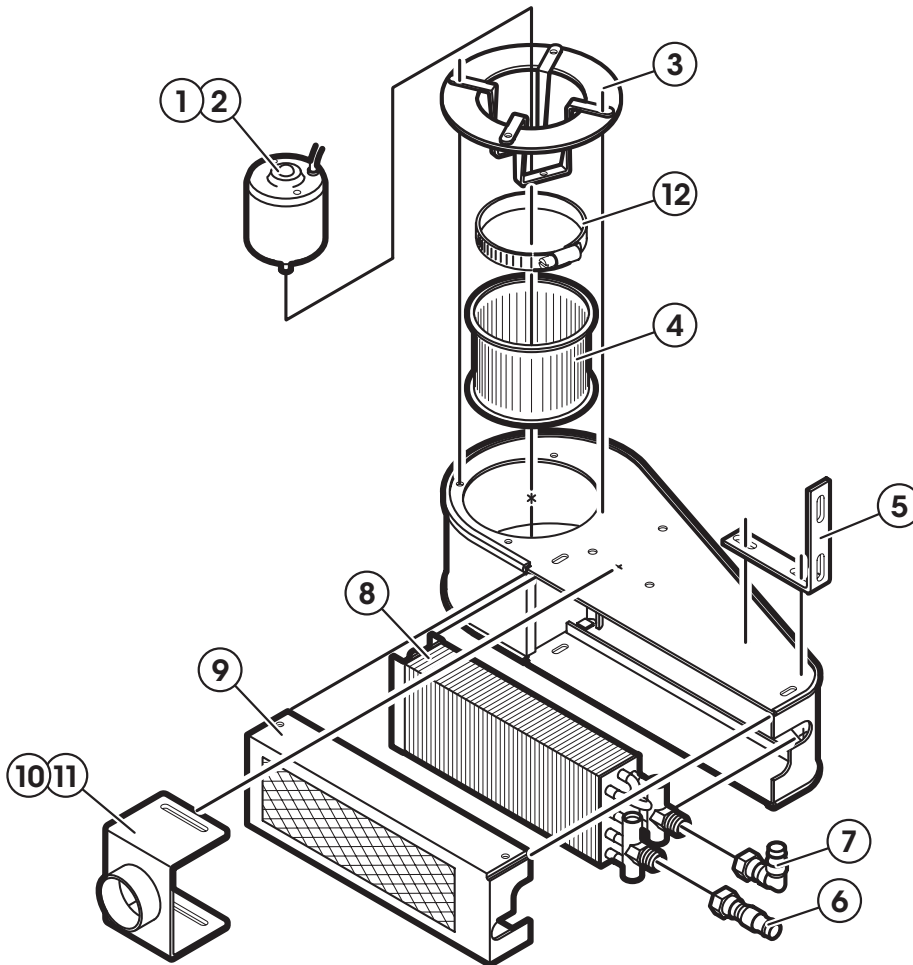
HEATER ONLY



R-2020-0 Heater

SERVICE PARTS LIST

HEATER ONLY



ITEM	NOTE	PART NO.	DESCRIPTION	CAT. NO.
1		RD-5-4550-OP	Motor (12v)	73R0102
2		RD-5-4550-24P	Motor (24v)	73R0104
3		RD-1-0411-OP	Motor Mount Assembly	
4		RD-5-3800-1P	Blower Wheel	73R6251
5	A	RD-1-0419-OP	Mounting Bracket	
6	A	RD-1-0425-OP	Straight Swivel Fitting Assembly- Use with 5/8" Hose	70R7600
7	A	RD-1-0426-OP	90° Swivel Fitting Assembly - Use with 5/8" Hose	70R7650

ITEM	NOTE	PART NO.	DESCRIPTION	CAT. NO.
8		RD-1-0427-OP	Heater Core Assembly	76R0500
9		RD-1-0440-OP	Front Cover Assembly	
10	A	RD-1-0422-OP	Auxiliary Outlet Assembly (2.5")	72R6301
11	A	RD-1-0423-OP	Auxiliary Outlet Assembly (3.0")	72R3603
12		RD-5-4035-52P	Clamp	70R5650
13	A	RD-1-1153-OP	Auxiliary Outlet (3-Ring)	
14	A	RD-5-5194-OP	Control Switch- (3 Speed)	71R1210

NOTES: A= Optional item

RED DOT CORPORATION

P.O.Box 58270 Seattle, WA 98138 (206) 575-3840 AMCustomerService@RedDotCorp.com

RD-1-0439-0 (REV E)

FOR REFERENCE ONLY. SUBJECT TO CHANGE WITHOUT NOTICE

R-3500 HEATER

Auxiliary Heater

CRASH/FIRE/RESCUE • CREW CABS

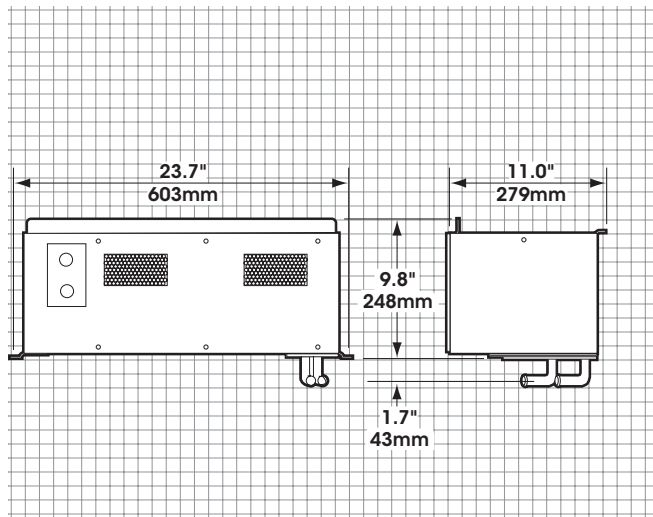
The R-3500 crew cab heater was designed with high performance to be able to heat larger cabs in extreme conditions. Its low profile and heavy duty construction allows this heater to be used in various applications.

R-3500 SPECIFICATIONS

BTUS	Heating – 49,000 BTU/Hr @ 180°F (kw 14.35 @ 82.2°C) temp. rise
AIR FLOW	480 CFM (816 m ³ /h)
WEIGHT	28 lbs. (13 kg)
CURRENT DRAW	15.9 amps @ 13.6 VDC
UNITS	R-3500-1P (12 VDC)



NOTE: Gasket on front



R-3540 HEATERS

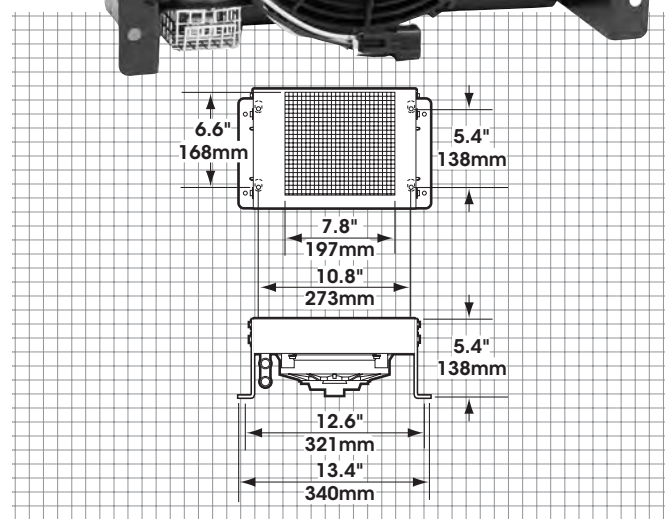
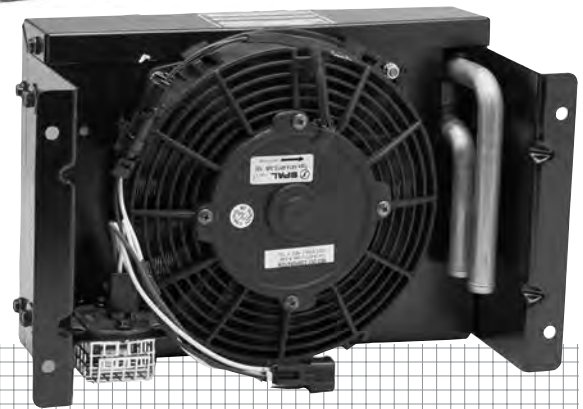
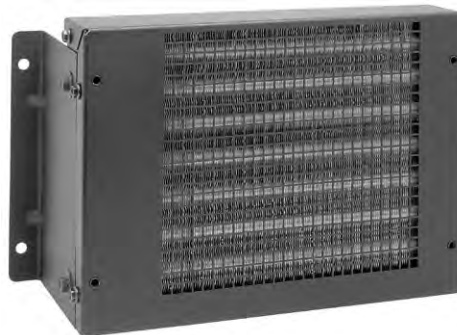
Auxiliary Heater

CRASH/FIRE/RESCUE • VAN • BUS

Designed for small spaces, the R-3540 delivers high capacity for its size. With a pancake fan design, this unit is quiet and moves close to 200 CFM of air. It has versatile mounting (flat or horizontal) and a resistor for variable speed control.

R-3540 SPECIFICATIONS

BTUS	22,970 BTU/Hr @ 180°F (kw 6.73 @ 82.6°C) air temp. rise
AIR FLOW	194 CFM (330 m ³ /h)
WEIGHT	10 lbs. (4.5 kg)
CURRENT DRAW	4.8 amps @ 13.6 VDC
UNITS	R-3540-2P (12 VDC)



HEATER ONLY

R-4013H

Heater/Defroster

CONSTRUCTION •
MINING •
AGRICULTURE •
INDUSTRIAL



The R-4013H is a compact, versatile, and high-output heater/defroster. Like other Red Dot heaters, the tube and fin coil design allows mounting in any position. A diversion door can be manually or cable-actuated to control defrost and heat output. An optional adapter to the heat outlet turns the R-4013 into a dual defroster or multi-compartment heater.

R-4013H SPECIFICATIONS

BTUS	Heating – 20,000 BTU/Hr @ 100°F (5.7 kW @ 37.8°C) air temp. rise
AIR FLOW	185 CFM (314 m³/h)
WEIGHT	15.7 lbs. (7.1 kg)
CURRENT DRAW	11 amps @ 13.6 VDC, 5.5 amps @ 27.2 VDC
UNITS	R-4013HP (12 VDC) For 24 volt see R-6130 (right)

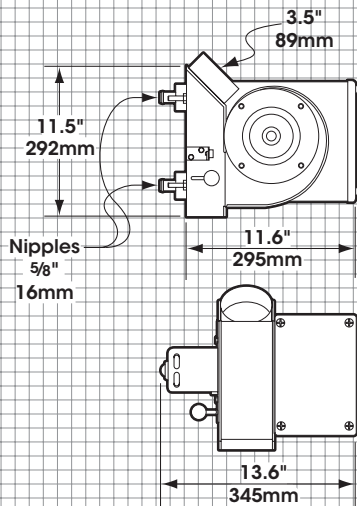
OPTIONS:

Heater Hose 5/8" – 50' 78R0100	3 1/2" Defrost Adapter 72R3550
---	--



Control Panel

71R5819 Heater control - Two-speed motor switch with manual water valve control



R-6130

Box Heater

BUS •
CONSTRUCTION •
MINING •
AGRICULTURE •
INDUSTRIAL



The R-6130's compact size is ideal for mounting in tight areas and the rotatable blower makes it easy to duct heat to where you need it.

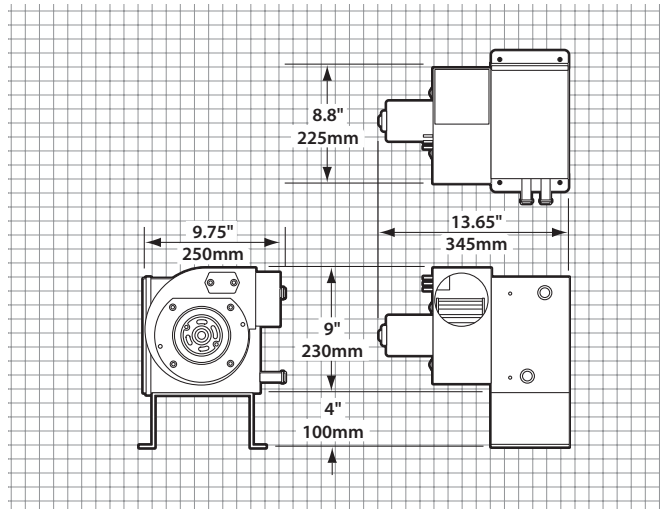
R-6130 SPECIFICATIONS

BTUS	Heating – 28,100 BTU/Hr @ 180°F (8.2 kW @ 37.8°C) air temp. rise
AIR FLOW	283 CFM (481 m³/h)
UNITS	R-6130-1P (12 VDC) R-6130-0P (24 VDC)

OPTIONS:

Control Panel

71R5819 Heater control - Two-speed motor switch with manual water valve control



HEATER ONLY

COMMON REPLACEMENT PARTS

R-254

Part No.	Factory No.	Description	Notes
	RD-5-10491-0P	Motor- 12V	A
	RD-5-10491-24P	Motor- 24V	B
	RD-1-0352-0P	Leg Assembly- Mounting	

Notes: A = R-254-0P (12V) B = R-254-0-24P (24V) C = R-254-0P, -0-24P

Part No.	Factory No.	Description	Notes
	RD-1-0355-0P	Core- Heater Assembly	C
	RD-3133-9P	Fan Blade	

R-255

Part No.	Factory No.	Description	Notes
73R0032	RD-5-10491-0P	Motor- 12V	A
73R0034	RD-5-10491-24P	Motor- 24V	B
	RD-1-0352-0P	Leg- Mounting	

Notes: A = R-255-10P (12V) B = R-255-10-24P (24V)

Part No.	Factory No.	Description	Notes
73R8050	RD-3133-9P	Fan Blade	
	RD-1-3538-0P	Core- Heater	

R-290

Part No.	Factory No.	Description	Notes
73R5522	RD-5-8835-0P	Motor Blower Assembly- 12V	A
	RD-5-8836-0P	Motor Blower Assembly- 24V	B
	RD-1-0355-0P	Heater Core Assembly	C

Notes: A = R-290-0P, -4P (12V) B = R-290-0-24P, -4-24P (24V) C = R-290-0P, -0-24P D = R-290-4P, -4-24P

Part No.	Factory No.	Description	Notes
	RD-1-0355-4P	Heater Core Assembly	D
	RD-1-0352-0P	Leg Assembly- Mounting	

R-295

Part No.	Factory No.	Description	Notes
73R5532	RD-5-8837-0P	Motor Blower Assembly- 12V	A, C
73R5534	RD-5-8838-0P	Motor Blower Assembly- 24V	B
	RD-1-0355-2P	Heater Core	A, B

Notes: A = R-295-0P B = R-295-0-24P C = R-295-4P

Part No.	Factory No.	Description	Notes
	RD-1-0355-5P	Heater Core	C
	RD-1-0352-0P	Leg Assembly- Mounting	

R-2020

Part No.	Factory No.	Description	Notes
77R6935	RD-5-4550-0P	Motor- Single Speed- 12V	A
73R0104	RD-5-4550-24P	Motor- Single Speed- 24V	B

Notes: A = R-2020-0P (12V) B = R-2020-0-24P (24V)

Part No.	Factory No.	Description	Notes
73R6251	RD-5-3800-1P	Blower Wheel	
76R0500	RD-1-0427-0P	Heater Core Assembly	

R-3500

Part No.	Factory No.	Description
	RD-2-2701-0P	Motor Blower Assembly
72R5240	RD-5-7760-3P	Valve- Water, Cable Operated
71R1150	RD-5-3646-0P	Switch- Rotary, 3 Speed

Part No.	Factory No.	Description	Notes
71R1450	RD-5-3647-0P	Resistor- Speed Control, Single Fan	
71R4040	RD-5-5928-0P	Knob- Control	
	RD-1-1281-0P	Heater Core Assembly	

R-3540

Part No.	Factory No.	Description	Notes
	RD-5-8759-1P	Fan/ Motor Assembly	
	RD-1-1545-0P	Heater Core Assembly	

Part No.	Factory No.	Description	Notes
71R1450	RD-5-3647-0P	Resistor- Speed Control, Single Fan	

COMMON REPLACEMENT PARTS

R-4013HP

Part No.	Factory No.	Description	Notes
	RD-3-3735-0P	Motor Blower Assembly	

Part No.	Factory No.	Description	Notes
	RD-1-0147-2P	Core- Heater Round Tube & Fin	

R-6130

Part No.	Factory No.	Description	Notes
	RD-3-3728-1P	Motor Blower Assembly- 12V	B
	RD-3-3728-3P	Motor Blower Assembly- 24V	A

Part No.	Factory No.	Description	Notes
	RD-5-9540-0P	Resistor- 3 Speed	
	RD-1-0333-4P	Heater Core Assembly	

Notes: **A** = R-6130-0P (24V) **B** = R-6130-1P (12V)

Ship LTL Only

R-4500

Rooftop Condenser (45,000 BTU)

**CRASH/FIRE/RESCUE •
DUAL EVAPORATORS**

Our largest "power" condenser, the R-4500 is a dual-fan unit with the capacity needed for high-performance evaporators and dual-evaporator systems. Available with a low-profile conversion kit.



R-4500 SPECIFICATIONS

CAPACITY 45,200 BTU/hr. @ 135°F
(13.2 kW @ 57.2°C) condensing temp.
and 110°F (43.3°C) entering air

WEIGHT 85 lbs. (38.6 kg)

AIR FLOW 2,011 CFM (3,517 m³/h)

MOTORS Two 16-inch diameter

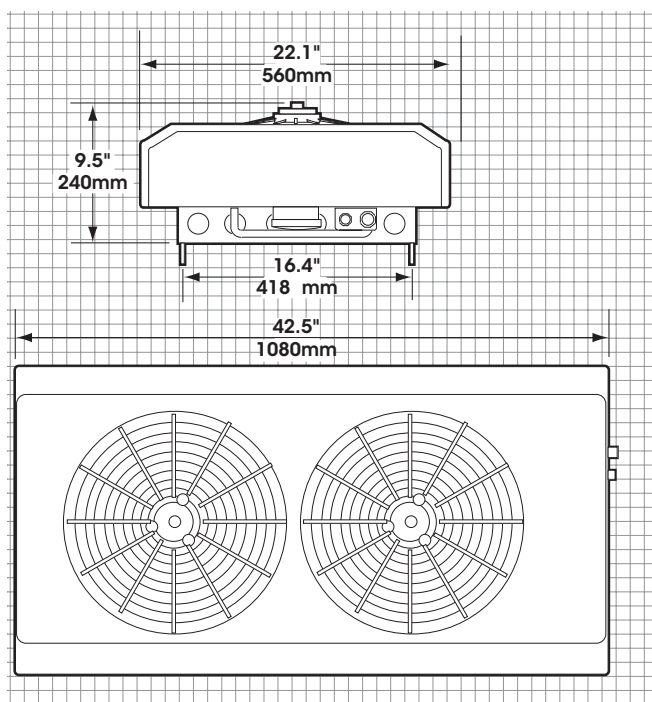
CURRENT 30.3 amps @ 13.6 VDC

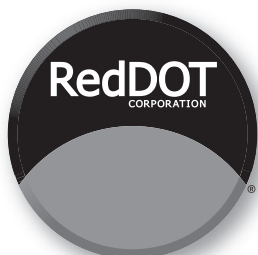
DRAW

MODEL R-4500-8P (12 VDC)
R-4500-8-24P (24 VDC)

OPTIONS: *Low Profile Conversion Kit RD-4-5341-0P*

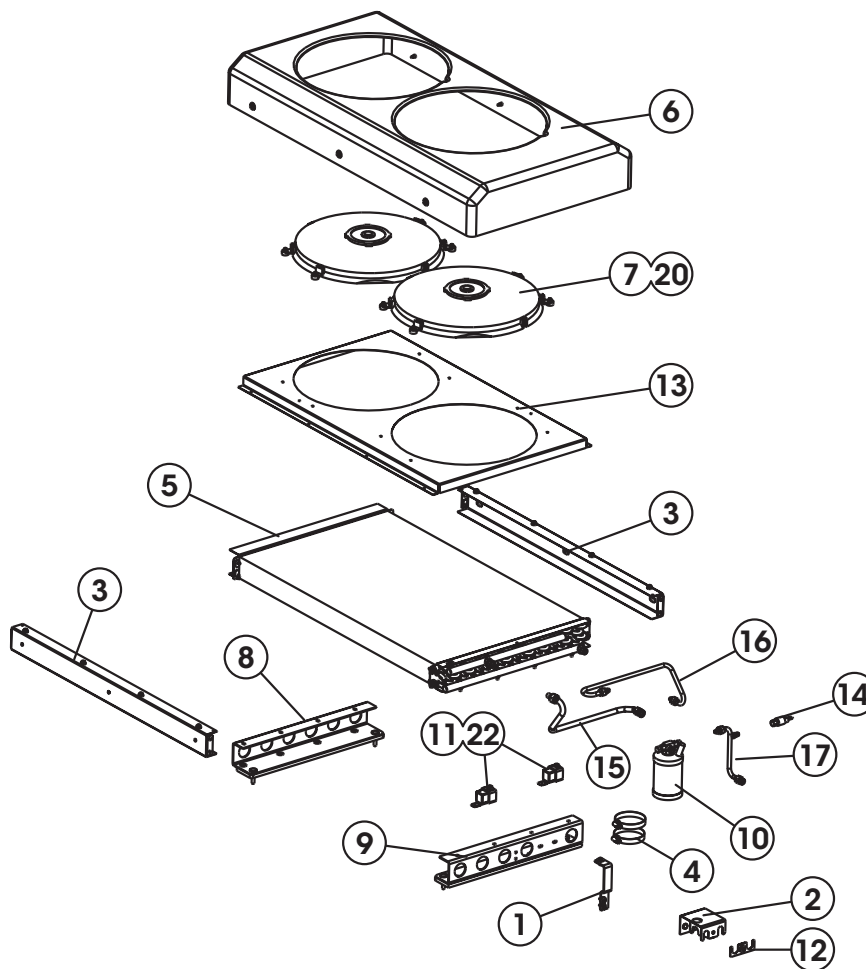
CONDENSERS





Condenser Roofmount R-4500-8

SERVICE PARTS LIST



ITEM	NOTE	PART NO.	DESCRIPTION	CAT. NO.
1		RD-4-5047-1P	Bracket Assembly-Drier	
2		RD-4-5053-0P	Bracket Assembly-Support	
3		RD-4-5044-2P	Channel Assembly Cover	
4		RD-5-4035-52P	Clamp	70R5650
5		RD-4-5045-0P	Coil Assembly	77R0990
6		RD-4-5041-0P	Cover-Condenser	
7		RD-5-8785-4P	Fan/Motor Assembly- Puller	73R8592
8		RD-4-5042-1P	Leg Assembly- Mounting Left	
9		RD-4-5043-2P	Leg Assembly- Mounting Right	
10		RD-5-9419-1P	Receiver Drier Assembly	74R2590

ITEM	NOTE	PART NO.	DESCRIPTION	CAT. NO.
11		RD-5-6690-0P	Relay-Sealed	71R1902
12		RD-4-4404-2P	Retainer- Fitting	
13		RD-4-5324-2P	Shroud Assembly-Fan	
14		RD-5-9577-0P	Switch- Pressure	71R6150
15		RD-4-5050-0P	Tube Assembly- Inlet #8	
16		RD-4-5052-0P	Tube Assembly -#6	
17		RD-2-3524-1P	Tube Assembly - #6	
18	A	RD-5-8636-0M	Bracket- Mounting	
20	B	RD-5-8785-5P	Fan/Motor Assembly- Puller	73R8594
22	B	RD-5-6693-0P	Relay	71R1904

NOTES: A= Not shown B= 24 volt system

RED DOT CORPORATION

P.O.Box 58270 Seattle, WA 98138 (206) 575-3840 AMCustomerService@RedDotCorp.com

RD-4-5198-0 (REV E)

FOR REFERENCE ONLY. SUBJECT TO CHANGE WITHOUT NOTICE

CONDENSERS

R-6160

Rooftop Condenser (24,000 BTU)

TRUCKS • CONSTRUCTION •
AGRICULTURE

A compact, rugged rooftop condenser with a low profile for cabs with minimal roof space or aerodynamic fairings.



R-6160 SPECIFICATIONS

CAPACITY 24,000 BTU's/hr (7 kW @ 65.5°C)

WEIGHT 23 lbs. (10.5 kg) Lightweight

CONDENSER COIL The coil is aluminum fin and copper tube construction, which includes a tube of .022" (6 cm) wall thickness, results in an effective, lightweight rugged coil.

MOTOR/FAN The motor is a permanent magnet type selected for its extended life. The fan is made of aluminum.

CURRENT DRAW 12 amps @ 13.6 VDC (includes 4 amps A/C for clutch)
6 amps @ 27.2 VDC (includes 2 amps A/C for clutch)

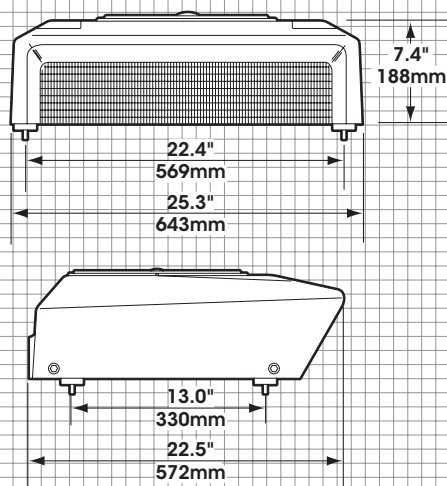
UNITS R-6160-0P (12 VDC), R-6160-0-24P (24 VDC)

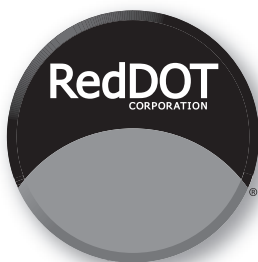
OPTIONS:

Receiver Drier Kit (12/24 VDC) RD-5-4722-1P/-2P

Winter Cover RD-5-4743-0P

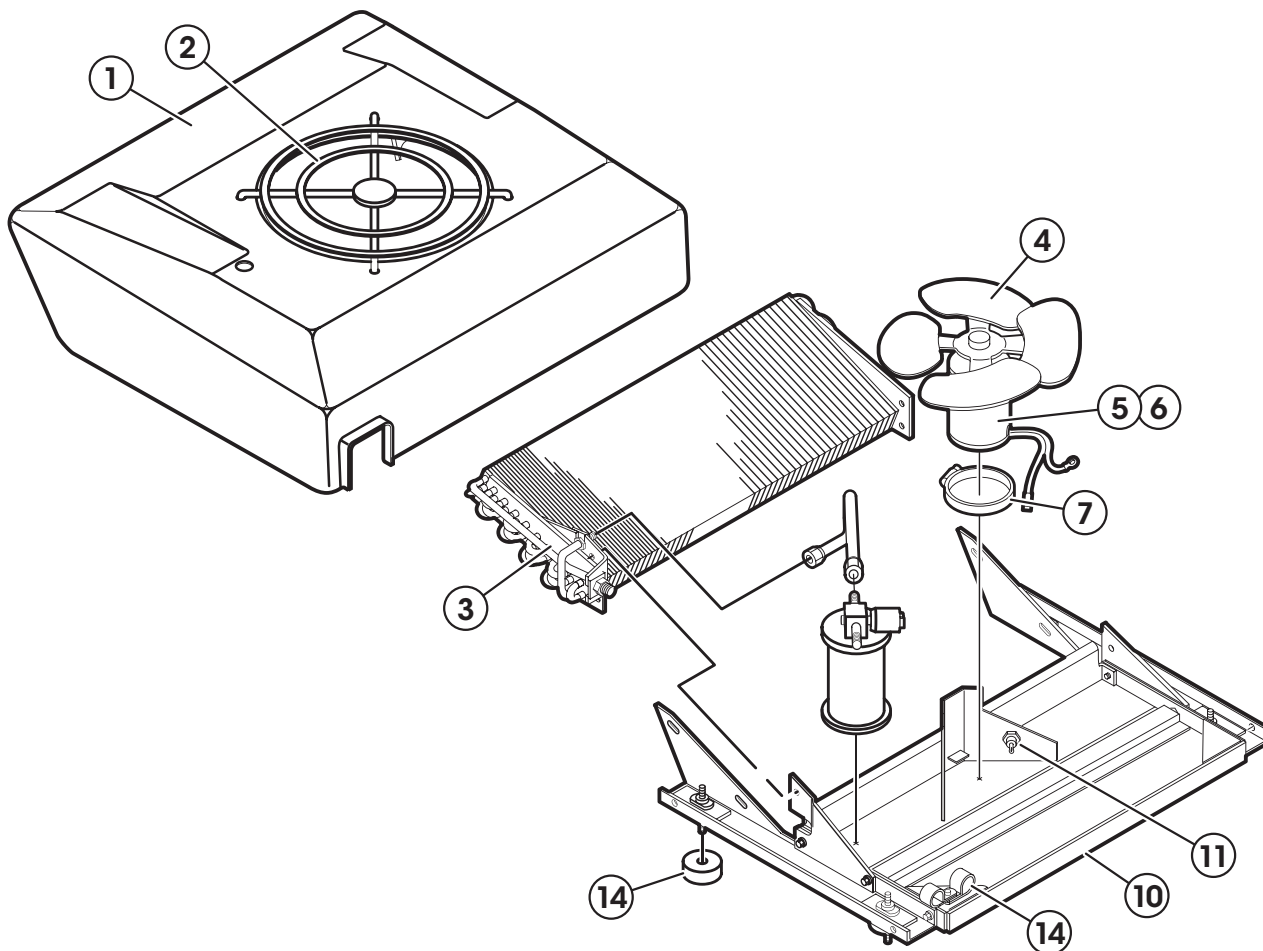
Bug Screen RD-4-4529-1P





Rooftop Condenser Model R-6160-0

SERVICE PARTS LIST



CONDENSERS

ITEM	NOTE	PART NO.	DESCRIPTION	CAT. NO.
1		RD-4-3882-0P	Cover Assembly (with Fan Guard)	
2		RD-5-3894-2P	Fan Guard Only	
3		RD-4-4738-0P	Condenser Assembly	77R0620
4		RD-5-7297-0P	Fan	73R8100
5		RD-5-14193-0P	Motor - 12 Volt	
6		RD-5-14190-24P	Motor - 24 Volt	

ITEM	NOTE	PART NO.	DESCRIPTION	CAT. NO.
7		RD-5-4035-52P	Clamp (3.5")	70R5650
10		RD-4-3875-0P	Pan Assembly	
11		RD-5-4216-0P	Diode	71R1900
12		RD-5-4665-0M	Clamp - Hose	70R5706
13		RD-5-4666-0M	Clamp - Hose	70R5708
14		RD-5-3855-1P	Spacer (4)	

RED DOT CORPORATION

P.O.Box 58270 Seattle, WA 98138 (206) 575-3840 AMCustomerService@RedDotCorp.com

RD-4-3881-0 (REV J)

FOR REFERENCE ONLY. SUBJECT TO CHANGE WITHOUT NOTICE

R-6260

Rooftop Condenser (38,800 BTU)

TRUCKS • CONSTRUCTION • AGRICULTURE

A dual-fan, high-capacity rooftop condenser with a low profile for cabs with minimal roof space or aerodynamic fairings.



R-6260 SPECIFICATIONS

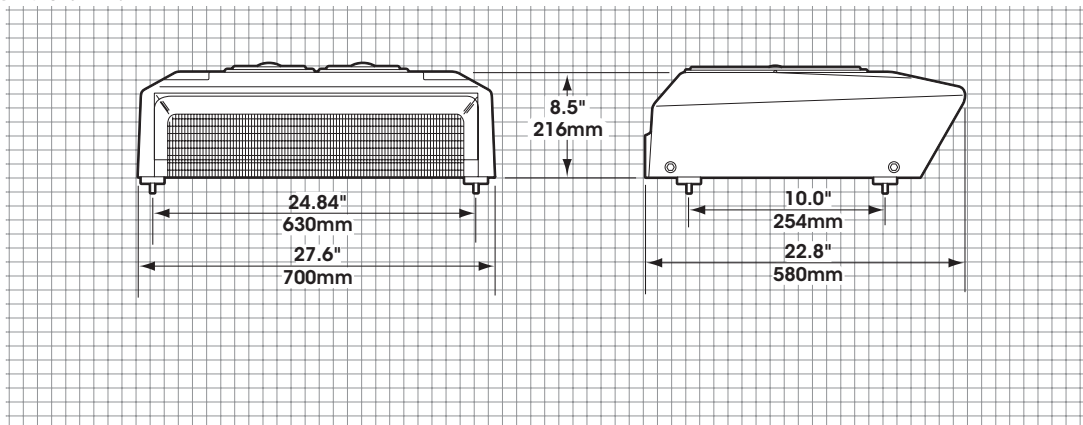
CAPACITY	38,800 BTU/hr (11.4 kW @ 65.5°C)
WEIGHT	30 lbs. (14 kg) Lightweight
MOTOR/FAN	Two 11-inch (27.9 cm) diameter pancake motor fan assembly producing 970 CFM (1,648 m3/h)
CURRENT	15 amps @ 13.6 VDC (includes 4 amps A/C for clutch)
DRAW	8.5 amps @ 27.2 VDC (includes 2 amps A/C for clutch)
UNITS	R-6260-1P (12 VDC) R-6260-1-24P (24 VDC)

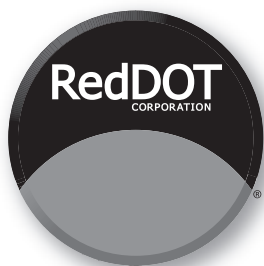
OPTIONS:

Bug Screen Kit RD-4-5135-OP

Winter Cover RD-5-8412-OP

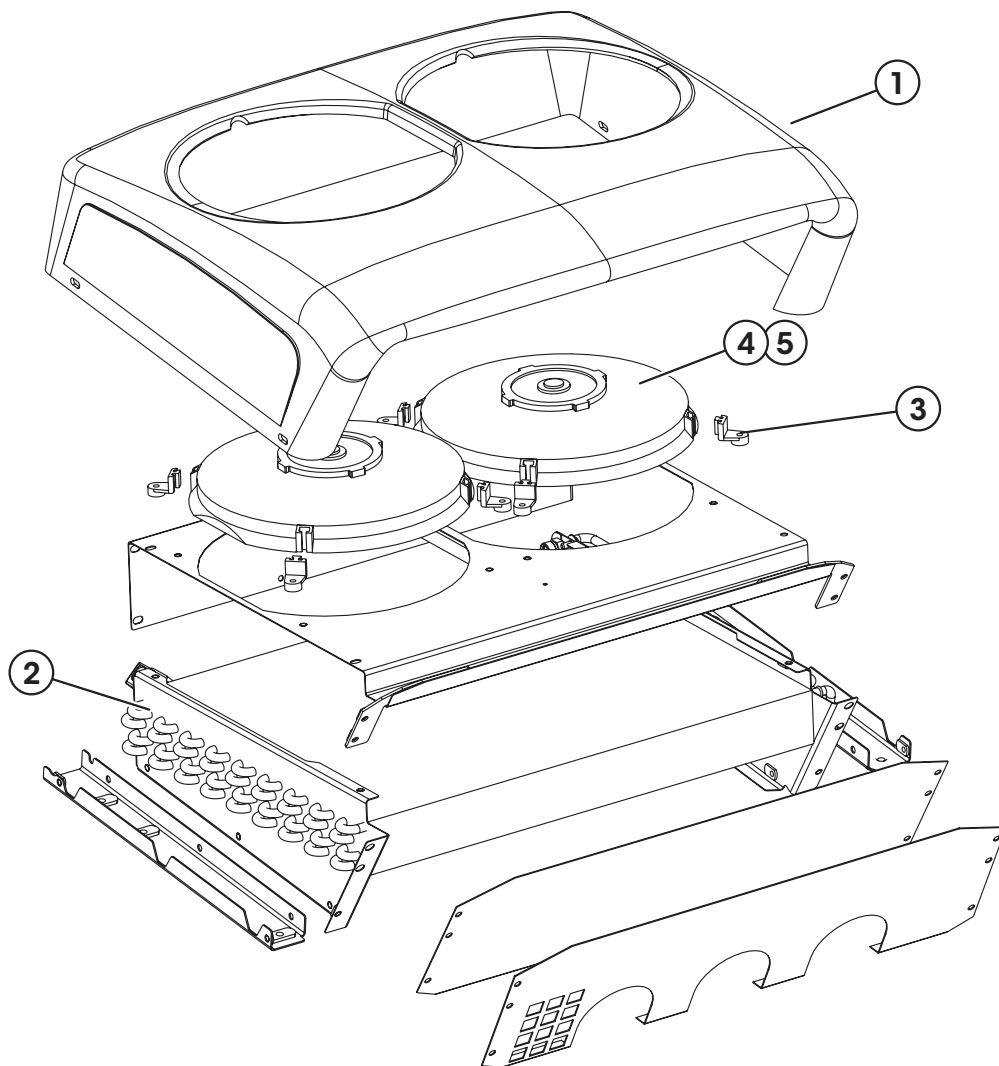
CONDENSERS





Rooftop Condenser Model R-6260-1

SERVICE PARTS LIST



CONDENSERS

ITEM	NOTE	PART NO.	DESCRIPTION	CAT. NO.
1		RD-4-5121-OP	Cover	
2		RD-4-5122-OP	Condenser Assembly	77R0630
3	A	RD-5-7232-OP	Relay- 12v Metri Pack with Diode	71R1912
4		RD-5-8627-5P	Fan/Motor Assembly 12v	73R8612

ITEM	NOTE	PART NO.	DESCRIPTION	CAT. NO.
5		RD-5-8627-6P	Fan/Motor Assembly 24v	73R8614
6	A	RD-5-7233-OP	Relay- 24v Metri Pack with Diode	71R1914
7	A	RD-4-5271-OP	Wire Harness Assembly 12v	
8	A	RD-4-5271-1P	Wire Harness Assembly 24v	

NOTES: A=Not Shown

RED DOT CORPORATION

P.O.Box 58270 Seattle, WA 98138 (206) 575-3840 AMCustomerService@RedDotCorp.com

RD-3-9168-0 (REV D)

FOR REFERENCE ONLY. SUBJECT TO CHANGE WITHOUT NOTICE

R-9720

Remote Mount Condenser (39,000 BTU)

CONSTRUCTION • MINING • AGRICULTURE

The R-9720 is the industry's most versatile and rugged remote-mount condenser. Its unique design allows installation on a horizontal surface or mounted below a roof or floor panel simply by changing two hose connectors. Suitable for off-highway applications, commercial trucks, or specialty vehicles where a radiator-mount or rooftop condenser cannot be used.



R-9720 SPECIFICATIONS

CAPACITY	39,000 BTU/Hr. (8.8 kW)
WEIGHT	45 lbs. (16.8 kg)
CONDENSER COIL	Copper tubing, aluminum fins and plated steel headers
CURRENT DRAW	12.3 amps @ 13.6 VDC (includes 4 amps for A/C clutch) 6.17 amps @ 27.2 VDC (includes 2 amps for A/C clutch)
FAN	10-inch (25.4 cm) diameter, 4 blade fan with single speed long life motor

R-9720 Series OPTIONS:

Shock Mount Assembly

RD-4-3669-0P
(2 required per unit)



Condenser Mount Bracket

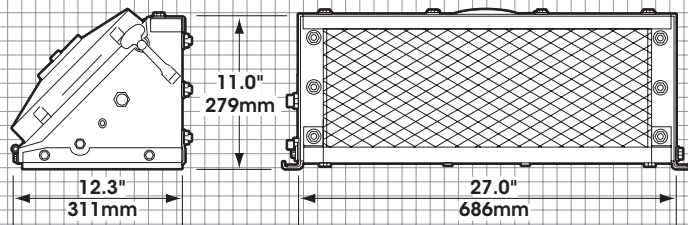
77R9020



R-9720 SERIES SYSTEM ORDERING GUIDE

R-9720-12P	12 VDC with In-Line Drier	R-134a Compatible
R-9720-12-24P	24 VDC with In-Line Drier	R-134a Compatible

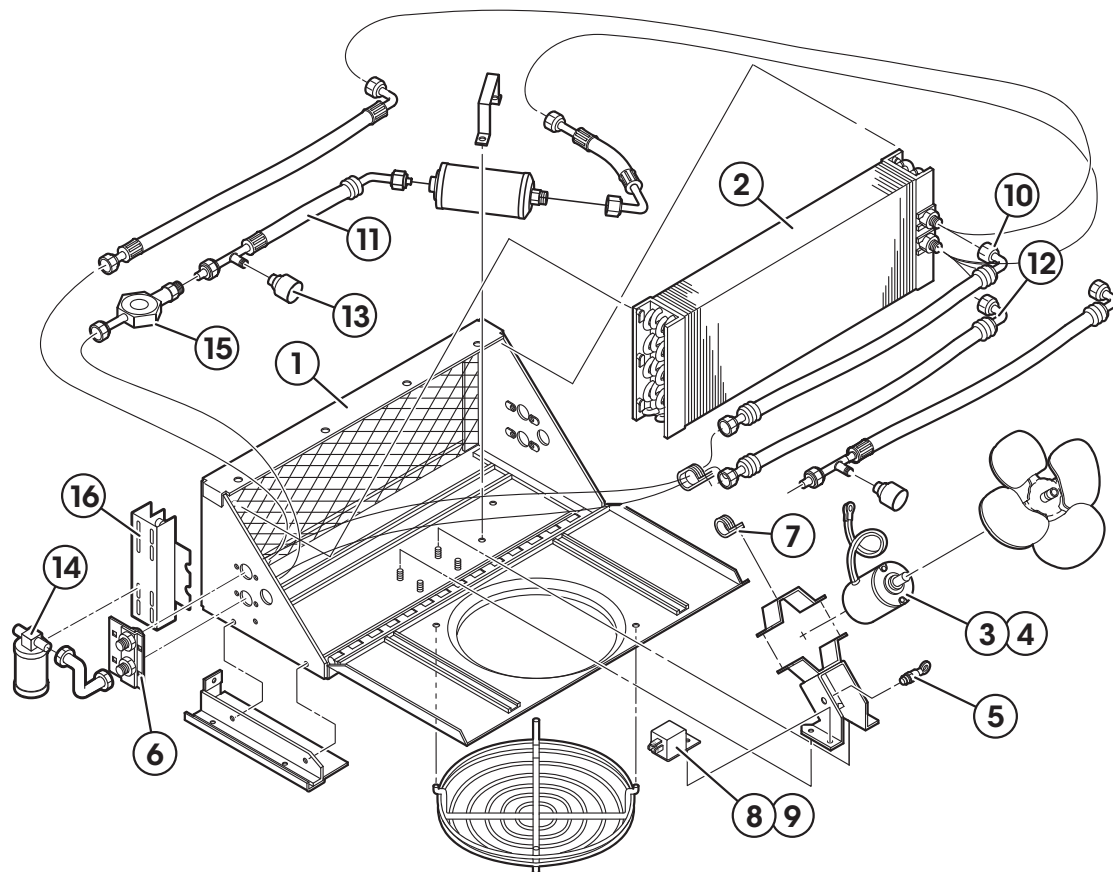
CONDENSERS





Remote Mount Condenser Model R-9720-3

SERVICE PARTS LIST



CONDENSERS

ITEM	NOTE	PART NO.	DESCRIPTION	CAT. NO.
1		RD-4-6677-0P	Housing Assembly	
2		RD-4-4069-1P	Condenser Assembly	77R0110
3	B	RD-5-13259-2P	Fan/Motor Assembly (12v)	
4	C	RD-5-13259-3P	Fan/Motor Assembly (24v)	
5		RD-5-4216-0P	Diode	71R1900
6		RD-4-3804-0P	Fitting Bracket Assembly	
7		RD-5-4666-0M	Clamp, Single Hose	70R5708
8	B	RD-5-6690-0P	Relay (12v)	71R1902
9	C	RD-5-6693-0P	Relay (24v)	71R1904

ITEM	NOTE	PART NO.	DESCRIPTION	CAT. NO.
10		RD-2-1659-26P	#6 to #8 Refrigerant Hose Assembly	
11		RD-2-1784-12P	#6 Refrigerant Hose Assembly-#6	
12		RD-2-0815-8.50P	#6 Refrigerant Hose Assembly-#6	
13		RD-5-8433-0P	Binary Switch Assembly	71R7075
14		RD-5-7064-1P	Receiver Drier	74R0462
15		RD-5-4903-0P	Moisture Indicator	70R3500
16		RD-4-4253-1P	Bracket Assembly, Drier	
17	A	RD-5-8086-0P	Rubber tie down handles (2)	

NOTES: A= Not shown B= For Unit RD-9720-12P (12v) C= For Unit RD-9720-12-24P (24v)

RED DOT CORPORATION

P.O.Box 58270 Seattle, WA 98138 (206) 575-3840 AMCustomerService@RedDotCorp.com

RD-4-4127-0 (REV D)

FOR REFERENCE ONLY. SUBJECT TO CHANGE WITHOUT NOTICE

R-9725

Remote Mount Condenser (36,500 BTU)

CONSTRUCTION • MINING • AGRICULTURE

The R-9725's dual fans provide the capacity to handle any of Red Dot's auxiliary air conditioners. Can be mounted vertically or horizontally. Rock guard optional.

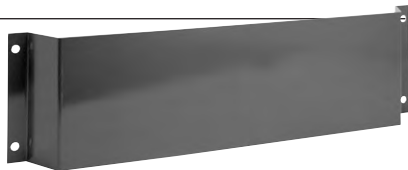


R-9725 SPECIFICATIONS

CAPACITY	36,500 BTU/hr (9.7 kW)
WEIGHT	40 lbs. (18 kg)
CONDENSER COIL	Copper tubing, aluminum fins and plated steel headers
MOTORS	Single speed sealed permanent magnet
CURRENT DRAW	24 amps @ 13.6 VDC (includes 4 amps for A/C clutch) 12 amps @ 27.2 VDC (includes 2 amps for A/C clutch)
FANS	Two 9-inch (20.32 cm) diameter bladed fans producing 900 CFM (1,529 m3/h)
UNITS	R-9725-3P (12 VDC), R-9725-3-24P (24 VDC)

OPTIONS:

Rock Guard
RD-4-4548-1P



R-9730

Remote Mount Condenser (44,500)

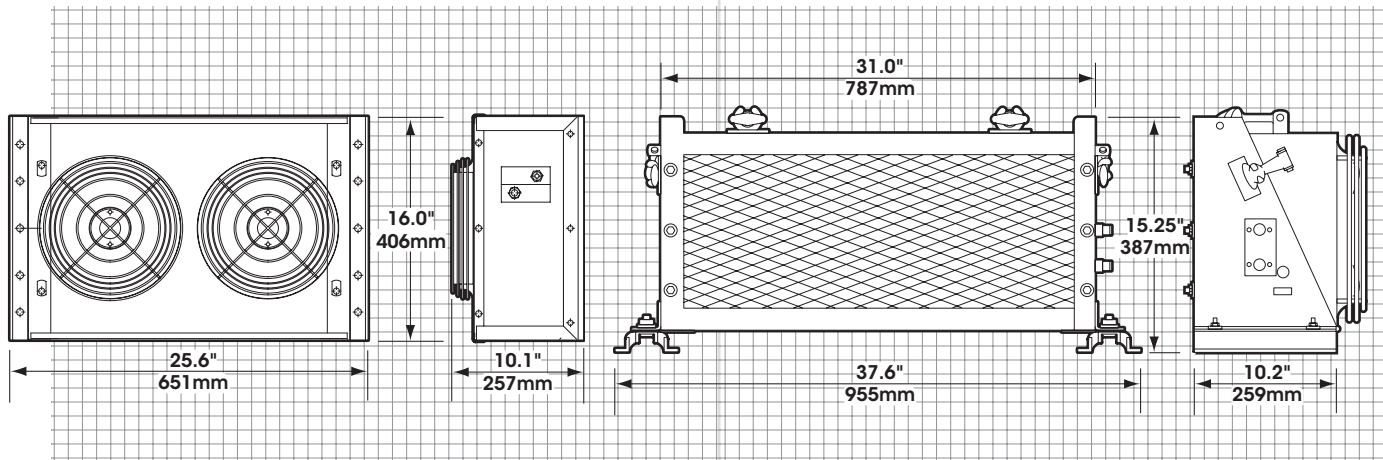
CONSTRUCTION • MINING • AGRICULTURE

The R-9730 is a heavy-duty condenser with the capacity to support dual-evaporator systems used in punishing off-highway environments.



R-9730 SPECIFICATIONS

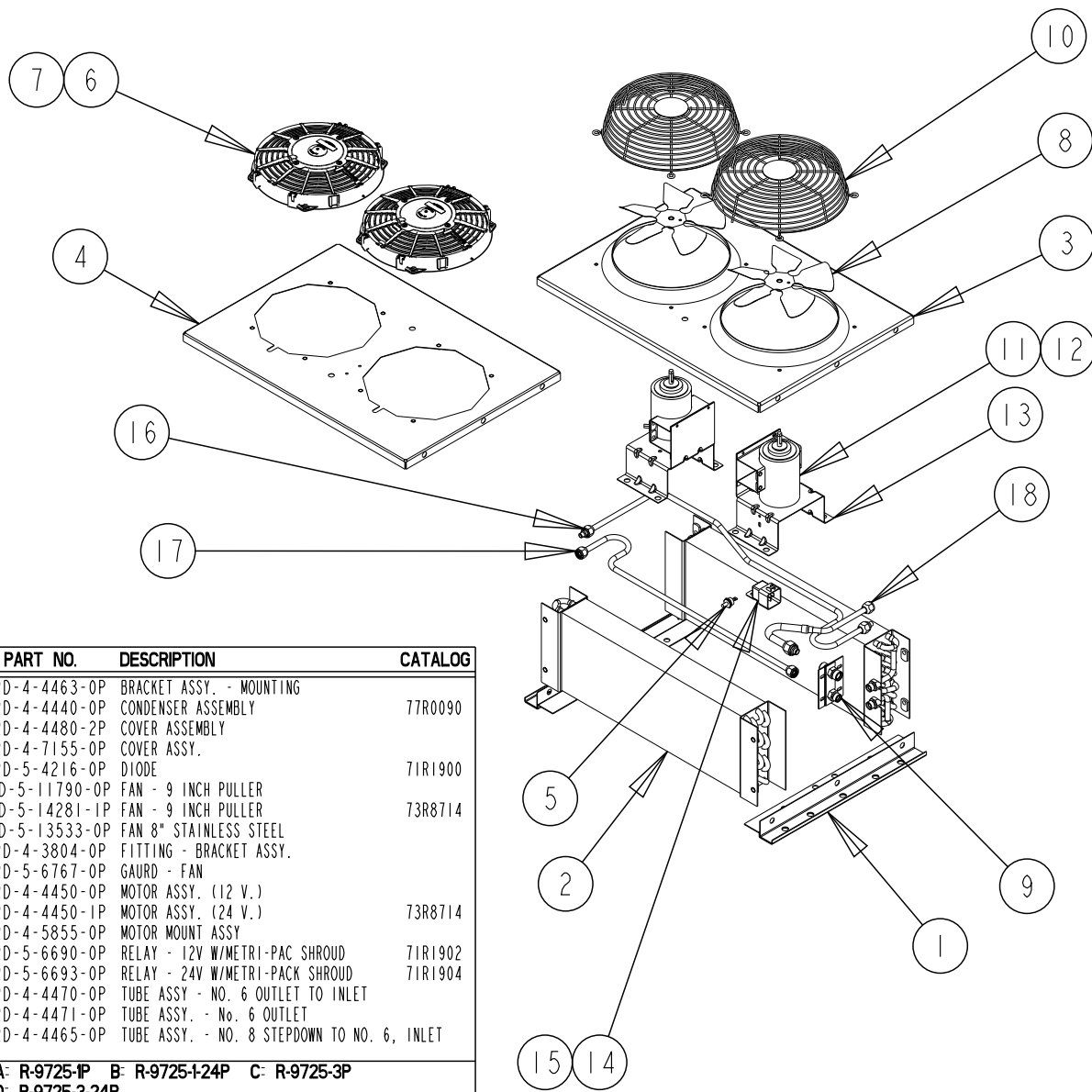
CAPACITY	44,500 BTU/hr (13 kW)
WEIGHT	74 lbs. (33.6 kg)
CONDENSER COIL	Copper tubing, aluminum fins and plated steel headers
MOTORS	Two single speed, long life sealed with pre-lubricated bearings.
CURRENT DRAW	26 amps @ 13.6 VDC (includes 4 amps for A/C clutch) 13 amps @ 27.2 VDC (includes 2 amps for A/C clutch)
FANS	Two 10-inch (25.4 cm) dia. bladed fans producing 1500 CFM (2,548 m3/h)
UNITS	R-9730-0P (12 VDC), R-9730-0-24P (24 VDC)





REMOTE MOUNT CONDENSER R-9725

SERVICE PARTS LIST



CONDENSERS

ITEM	NOTE	PART NO.	DESCRIPTION	CATALOG
1		RD-4-4463-0P	BRACKET ASSY. - MOUNTING	
2		RD-4-4440-0P	CONDENSER ASSEMBLY	77R0090
3		RD-4-4480-2P	COVER ASSEMBLY	
4		RD-4-7155-0P	COVER ASSY.	
5		RD-5-4216-0P	DIODE	71R1900
6	C	RD-5-11790-0P	FAN - 9 INCH PULLER	
7	D	RD-5-14281-1P	FAN - 9 INCH PULLER	73R8714
8	A, B	RD-5-13533-0P	FAN 8" STAINLESS STEEL	
9		RD-4-3804-0P	FITTING - BRACKET ASSY.	
10	A, B	RD-5-6767-0P	GAURD - FAN	
11	A	RD-4-4450-0P	MOTOR ASSY. (12 V.)	
12	B	RD-4-4450-1P	MOTOR ASSY. (24 V.)	73R8714
13		RD-4-5855-0P	MOTOR MOUNT ASSY	
14	A, C	RD-5-6690-0P	RELAY - 12V W/METRI-PAC SHROUD	71R1902
15	B, D	RD-5-6693-0P	RELAY - 24V W/METRI-PACK SHROUD	71R1904
16		RD-4-4470-0P	TUBE ASSY. - NO. 6 OUTLET TO INLET	
17		RD-4-4471-0P	TUBE ASSY. - NO. 6 OUTLET	
18		RD-4-4465-0P	TUBE ASSY. - NO. 8 STEPDOWN TO NO. 6, INLET	

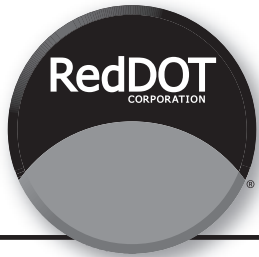
NOTES: A: R-9725-1P B: R-9725-1-24P C: R-9725-3P
D: R-9725-3-24P

RED DOT CORPORATION

P.O.Box 58270 Seattle, WA 98138 (206) 575-3840 AMCustomerService@RedDotCorp.com

RD-4-4506-0 (REV E) PER. EC-PUR3883

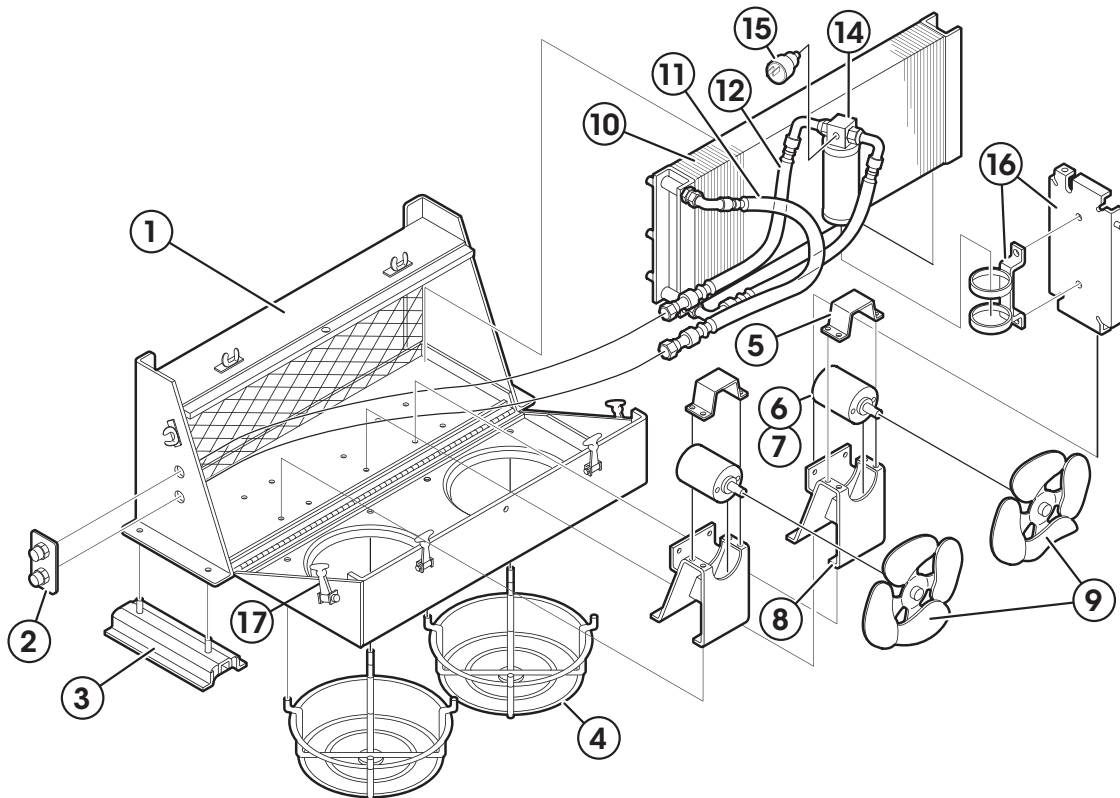
FOR REFERENCE ONLY. SUBJECT TO CHANGE WITHOUT NOTICE



Red Dot Heavy Duty Condenser R-9730-0 Series

SERVICE PARTS LIST

CONDENSERS



ITEM	NOTE	PART NO.	DESCRIPTION	CAT. NO.
1		RD-4-3666-OP	Housing Assembly	
2		RD-4-3804-OP	Fitting Assembly	
3		RD-4-3669-OP	Shock Mount (2)	
4		RD-5-3894-1P	Fan Guard (2)	
5		RD-3-3174-OP	Retainer - Motor (2)	
6	A	RD-5-5120-OP	Motor - 12v (2)	73R0512
7	B	RD-5-5120-24P	Motor - 24v (2)	73R0514
8		RD-4-4150-OP	Motor Mount Assembly (2)	
9		RD-4-3508-OP	Fan (2)	73R8110

ITEM	NOTE	PART NO.	DESCRIPTION	CAT. NO.
10		RD-4-3646-OP	Condenser Assembly	77R0800
11		RD-2-0815-14.70P	#6 Freon Hose Assembly	
12		RD-2-1647-24P	#6 Freon Hose Assembly	
13		RD-5-8433-OP	Switch-Pressure	71R7075
14		RD-5-7063-OP	Receiver Drier	74R1866
15		RD-5-4646-OP	Binary Switch	71R4000
16		RD-4-3652-OP	Support - Receiver Drier	
17		RD-5-4195-OP	Anchor, Rubber (4)	

NOTES: A= 12 Volt application B= 24 Volt application

RED DOT CORPORATION

P.O.Box 58270 Seattle, WA 98138 (206) 575-3840 AMCustomerService@RedDotCorp.com

RD-4-4510-0 (REV C)

FOR REFERENCE ONLY. SUBJECT TO CHANGE WITHOUT NOTICE

COMMON REPLACEMENT PARTS

R-4500

Part No.	Factory No.	Description	Notes
	RD-5-8785-4P	Fan/ Motor Assembly- Puller, 12V	A
	RD-5-8785-5P	Fan/ Motor Assembly- Puller, 24V	B
	RD-5-9577-0P	Pressure Switch	

Notes: A = R-4500-8P (12V) B = R-4500-8-24P (24V)

Part No.	Factory No.	Description	Notes
74R2590	RD-5-9419-0P	Receiver Drier	
	RD-4-5041-0P	Cover- Condenser	
	RD-4-5045-0P	Coil Assembly- Condenser Roof Mount	

R-6160

Part No.	Factory No.	Description	Notes
	RD-5-14193-0P	Motor- 12V	A
73R0544	RD-5-7129-VP	Motor- 24V	B
73R8100	RD-5-7297-0P	Fan- 10"	

Notes: A = R-6160-0P (12V) B = R-6160-0-24P (24V)

Part No.	Factory No.	Description	Notes
	RD-5-4216-0P	Diode	
	RD-4-3882-0P	Cover Assembly	
77R0620	RD-4-4738-0P	Condenser Assembly	

R-6260

Part No.	Factory No.	Description	Notes
73R8612	RD-5-8627-5P	Fan/ Motor Assembly- Puller, 12V	A
73R8614	RD-5-8627-6P	Fan/ Motor Assembly- Puller, 24V	B

Notes: A = R-6260-1P (12V) B = R-6260-1-24P (24V)

Part No.	Factory No.	Description	Notes
	RD-4-5121-0P	Cover	
	RD-4-5122-0P	Condenser Assembly	

R-9720

Part No.	Factory No.	Description	Notes
	RD-5-13259-2P	Fan/ Motor Assembly- Puller, 12V	A
	RD-5-13259-3P	Fan/ Motor Assembly- Puller, 24V	B
71R7075	RD-5-8433-0P	Binary Pressure Switch	
	RD-5-8086-0P	Retainer Assembly	
74R0462	RD-5-7064-1P	Receiver Drier	

Notes: A = R-9720-12P (12V) B = R-9720-12-24P (24V)

Part No.	Factory No.	Description	Notes
70R3500	RD-5-4903-0P	Moisture Indicator	
	RD-4-3804-0P	Fitting- Bracket Assembly	
	RD-5-4216-0P	Diode	
	RD-4-4069-1P	Condenser Assembly	

R-9725

Part No.	Factory No.	Description	Notes
71R1902	RD-5-6690-0P	Relay- 12V	A
71R1904	RD-5-6693-0P	Relay- 24V	B
	RD-5-11790-1P	Fan- 9" Puller	A
	RD-5-14281-1P	Fan- 9" Puller	B

Notes: A = R-9725-3P (12V) B = R-9725-3-24P (24V)

Part No.	Factory No.	Description	Notes
	RD-4-3804-0P	Fitting- Bracket Assembly	
	RD-5-4216-0P	Diode	
	RD-4-4440-0P	Condenser Assembly	

R-9730

Part No.	Factory No.	Description
	RD-5-4195-0P	Anchor- Rubber, Tie Down
	RD-4-3804-0P	Fitting- Bracket Assembly
73R8110	RD-4-3508-0P	Fan
	RD-5-3894-1P	Fan Guard

Part No.	Factory No.	Description	Notes
	RD-4-3669-0P	Shock Mount Assembly	
74R1866	RD-5-7063-0P	Receiver Drier	
71R7075	RD-5-8433-0P	Binary Pressure Switch	
77R0800	RD-4-3646-0P	Condenser Assembly	

CONDENSER DESCRIPTIONS

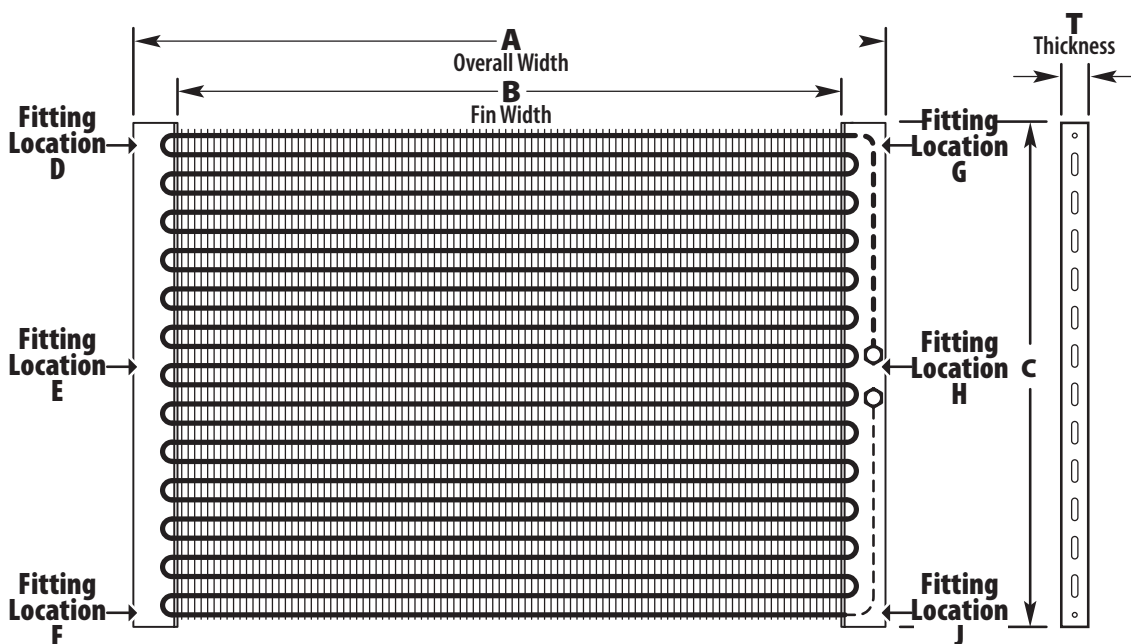
CONDENSER COIL TYPE

SERPENTINE TYPE - Continuous extruded aluminum tube, $\frac{3}{4}$ to 2 inches thick. The fin is either skyve type or vacuum brazed ribbon type spaced approximately 14 fins per inch. High heat rejection, compact size exact O.E.M. replacements.

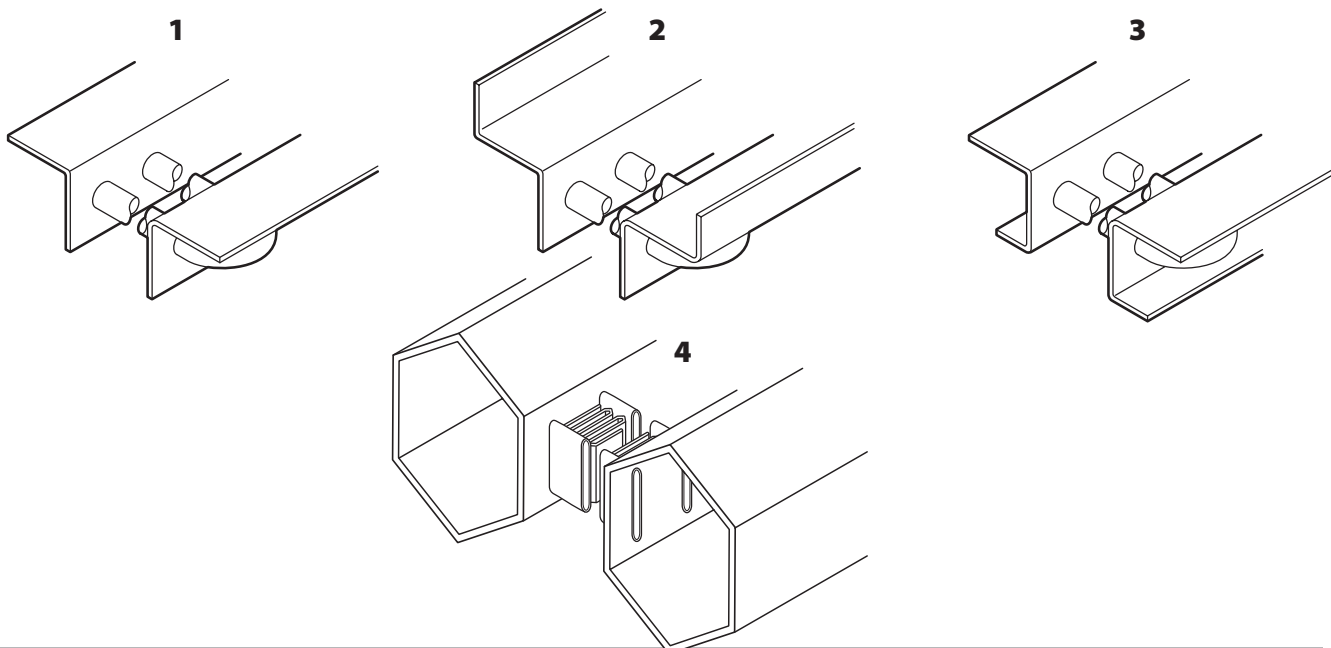
TUBE AND FIN TYPE - Constructed with .008 thick aluminum corrugated fin $\frac{3}{4}$ to 2 $\frac{1}{2}$ inches in thickness. Fin spacing at 10 to 12 fins per inch providing maximum heat rejection. Tubes are either copper or aluminum.

GRILLDENSER TYPE - Constructed with .030 to .050 aluminum, fins are $\frac{3}{4}$ of an inch thick. Fins are spaced at 2 to 4 fins per inch providing minimal air flow restriction. Tubes are either .035" wall aluminum or .022" wall copper.

MULTI FLOW - Constructed with .0051 thick zinc coated cross flow tubes. Fin spacing is 14 fins per inch. Four pass design.



TYPICAL HEADER TYPES



POWER CONDENSERS

Listed in ascending order by **Height x Length x Thickness**

Height	Length	Thickness	Fitting #6 (5/8")	Location #8 (3/4")	Amps	Fan CFM	BTUs	Application	Red Dot Part No.	Factory No.
12 VOLT FAN										
9 1/8	26 21/32	4 3/4	J	H			5,800	Fits R-2110, 1 Fan	77R0250	RD-4-4144-2P
10 1/8	22 5/8	2 3/4	G	G		800	22,000	Fits R-2150, 2 Fans	77R0530	RD-4-4400-0P
12 1/8	16 1/4	6	G	J	7.5	1,100	19,500	1 Fan, 7.5 amps @ 12.6VDC	77R1622	RD-4-5311-0P
12 7/8	33 1/2	4	F	D	15.7	1,210	25,000	Fits R-9475, 2 Fans	77R1502	RD-4-5990-0P
14 1/4	22	3 3/4	G	J	28	818	17,300	2 Fans, 28 amps @ 12.6 VDC	77R1602	RD-5-9616-0P
15	16 1/4	6	F	D			20,000	Fits R-20500, 1 Fan with Drier	77R1632	RD-4-5700-1P
16	31 1/2	8 1/2	G	J	18	1,219	25,000	1 Fan, 18 amps @ 13.6 VDC	77R1612	RD-5-9617-0P
12 3/8	25	6	G	J	19	1,040	30,000	19 amps @ 13.5 vdc	77R1512	RD-4-7083-0P
14	36	6 1/2			22	1,680	45,000	22 amps @ 13.5 vdc	77R1522	RD-4-7084-0P
12 1/4	15 1/2	4 1/2	G	J	11	500	25,000	11 amps @ 13.5 vdc	77R1702	RD-4-7085-0P
24 VOLT FAN										
10 1/8	22 5/8	2 3/4	G	G		800	22,000	Fits R-2150, 2 Fans	77R0530	RD-4-4400-0P
12 1/8	16 1/4	6	G	J	3.6	1,100	19,500	1 Fan, 3.6 amps @ 27.2 VDC	77R1624	RD-4-5312-0P
12 7/8	33 1/2	4	F	D	7.8	1,210	25,000	Fits R-9475-0-24, 2 Fans	77R1504	RD-4-5990-1P
14 1/4	22	3 3/4	G	J	14	910	25,000	2 Fans, 14 amps @ 27.2 VDC	77R1604	RD-4-5498-0P
15	16 1/4	6	F	D			20,000	Fits R-20500-0-24, Fan with Drier	77R1634	RD-4-5700-1-24P
16	31 1/2	8 1/2	G	J	9	1,219	25,000	9 amps @ 27.2 VDC	77R1614	RD-5-9618-0P
12 3/8	25	6	G	J	9	1,040	30,000	9 amps @ 27vdc	77R1514	RD-4-7083-0-24P
14	36	6 1/2			12	1,750	45,000	12 amps @ 27 vdc	77R1524	RD-4-7084-0-24P
12 1/4	15 1/2	4 1/2	G	J	5.4	500	25,000	5.4 amps @ 27 vdc	77R1704	RD-4-7085-0-24P

77R0250 RD-4-4144-2P

9 1/8" high x 26 21/32" long x 4 3/4" thick
 Used with R-2110
 With 12 VDC Fan, 5,800 BTU
 Replacement fan & motor assembly: RD-5-9001-2P
 Replacement condenser: 77R0260



77R0534 RD-4-4400-1P

10 1/8" high x 22 5/8" long x 2 3/4" thick
 Used with R-2150
 With 24 VDC Fans, 800 CFM, 22,000 BTU
 Replacement fan & motor assembly: RD-5-9001-2P
 Replacement condenser: RD-4-4405-0P



77R0530 RD-4-4400-0P

10 1/8" high x 22 5/8" long x 2 3/4" thick
 Used with R-2150
 With 12 VDC Fans, 800 CFM, 22,000 BTU
 Replacement fan & motor assembly: RD-5-9001-2P
 Replacement condenser: RD-4-4405-0P



77R1502 RD-4-5990-0P

12 7/8" high x 33 1/2" long x 4" thick
 Used with R-9475
 With 12 VDC Fans, 15.7 Amps @ 13.6 VDC, 1,210 CFM, 25,000 BTU
 Replacement fan & motor assembly: RD-5-9018-0P
 Replacement condenser: RD-4-5452-0P



CONDENSERS

POWER CONDENSERS

77R1504

RD-4-5990-1P

12 7/8" high x 33 1/2" long x 4" thick
 Used with R-9475-0-24
 With 24 VDC Fans, 1210 CFM, 7.8 Amps @ 27.2 VDC, 25,000 BTU
 Replacement fan & motor assembly: RD-5-9018-1P
 Replacement condenser: RD-4-5452-0P



77R1522

RD-4-7084-0P

14" high x 36" long x 6 1/2" thick
 With 12 VDC Fans, 1,680 CFM, 22 Amps @ 13.5 VDC, 45,000 BTU



77R1512

RD-4-7083-0P

12 3/8" high x 25" long x 6" thick
 With 12 VDC Fans, 1,040 CFM, 19 Amps @ 13.5 VDC, 30,000 BTU
 Mounting Bracket: 77R9025 (sold separately)



77R1524

RD-4-7084-0-24P

14" high x 36" long x 6 1/2" thick
 With 24 VDC Fans, 1,750 CFM, 12 Amps @ 27 VDC, 45,000 BTU



77R1514

RD-4-7083-0-24P

12 3/8" high x 25" long x 6" thick
 With 24 VDC Fans, 1,040 CFM, 9 Amps @ 27 VDC, 30,000 BTU
 Mounting Bracket: 77R9025 (sold separately)



77R1602

RD-5-9616-0P

14 1/4" high x 22" long x 3 3/4" thick
 With 12 VDC Fans at 11.5 amps, 818 CFM, 17,300 BTU
 Replacement fan & motor assembly: RD-5-9001-0P
 Replacement condenser: 77R1290



CONDENSERS

POWER CONDENSERS

77R1604

RD-4-5498-0P

14 1/4" high x 22" long x 3 3/4" thick
 With 24 VDC Fans, 910 CFM, 14 Amps @ 27.2 VDC
 Replacement fan & motor assembly: RD-5-9001-1P
 Replacement condenser: 77R1290



77R1622

RD-4-5311-0P

12 1/8" high x 16 1/4" long x 6" thick
 With 12 VDC Fan, 12.6 VDC at 7.5 amps, 1,100 CFM, 19,500 BTU
 Replacement fan & motor assembly: RD-5-8703-2P



77R1612

RD-5-9617-0P

16" high x 31 1/2" long x 8 1/2" thick
 With 12 VDC Fans, 1219 CFM, 18 Amps @ 13.6 VDC, 25,000 BTU
 Replacement fan & motor assembly: RD-5-9884-0P
 Replacement condenser: 77R1300



77R1624

RD-4-5312-0P

12 1/8" high x 16 1/4" long x 6" thick
 With 24 VDC Fan, 27.2 VDC at 3.6 amps, 1,100 CFM, 19,500 BTU
 Replacement fan & motor assembly: RD-5-8703-1P



77R1614

RD-5-9618-0P

16" high x 31 1/2" long x 8 1/2" thick
 With 24 VDC Fans, 1219 CFM, 9 Amps @ 27.2 VDC, 25,000 BTU
 Replacement fan & motor assembly: 73R8594
 Replacement condenser: 77R1300



77R1632

RD-4-5700-1P

15" high x 16 1/4" long x 6" thick – 12v fan with drier, 20,000 BTU
 Used with R-20500-0 Heater AC TB175 Kit
 Replacement fan & motor assembly: RD-5-8747-4P
 Replacement condenser: RD-4-6528-0P



CONDENSERS

POWER CONDENSERS

77R1634 RD-4-5700-1-24P

15" high x 16 1/4" long x 6" thick – 24v fan with drier, 20,000 BTU
 Used with R-20500-0-24 Heater AC Kit
 Replacement fan & motor assembly: 73R8654 / RD-5-8747-5P
 Replacement condenser: RD-4-6528-0P



77R1702 RD-4-7085-0P

12 1/4" high x 15 1/2" long x 4 1/2" thick
 With 12 VDC Fans, 500 CFM, 11 Amps @ 13.5 VDC, 25,000 BTU
 Mounting Bracket: 77R9027 (sold separately)



77R1704 RD-4-7085-0-24P

12 1/4" high x 15 1/2" long x 4 1/2" thick
 With 24 VDC Fans, 500 CFM, 5.4 Amps @ 27 VDC, 25,000 BTU
 Mounting Bracket: 77R9027 (sold separately)



CONDENSERS

CONDENSER MOUNTING BRACKETS

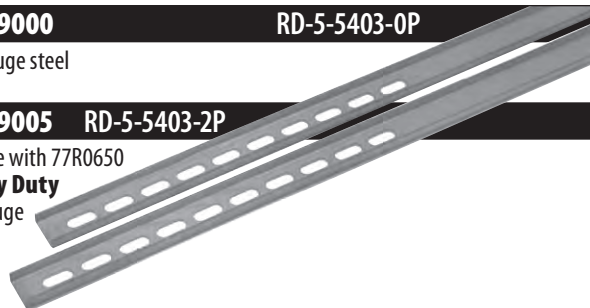
Developed to aid the installer, these universal condenser mounting brackets attach directly to the condenser. Will span a radiator with outside dimension of 44 inches.

77R9000 RD-5-5403-0P

16-gauge steel

77R9005 RD-5-5403-2P

For use with 77R0650
Heavy Duty
 11-gauge steel

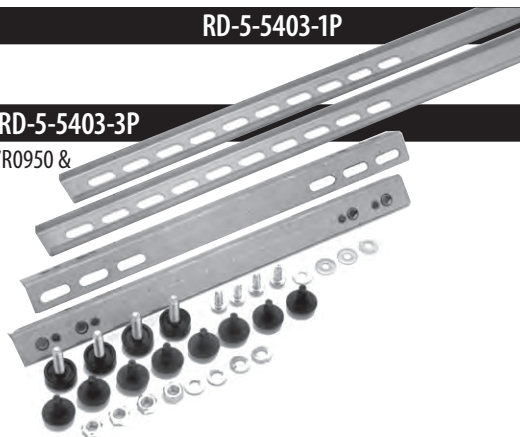


77R9010 RD-5-5403-1P

16-gauge steel

77R9015 RD-5-5403-3P

For use with 77R0950 & 77R1100
Heavy Duty
 11-gauge steel



77R9020 RD-11-0054-0P

For use with Remote Mount Condenser
 16-gauge steel



77R9025 1761

For use with 77R1512 and 77R1514 condensers
 12-gauge steel



77R9027 1866

For use with 77R1702 and 77R1704 condensers
 12-gauge steel



R-9976

Hydraulic Axial Direct Drive

CONSTRUCTION • MINING • AGRICULTURE

New for 2015, the updated R-9976 is now available in three different motor sizes:

R-9976-5P = 8cc/rev (same as current dash-3 assembly)

R-9976-6P = 14cc/rev

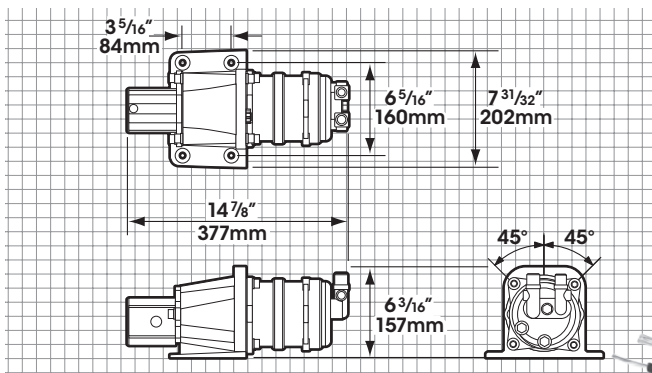
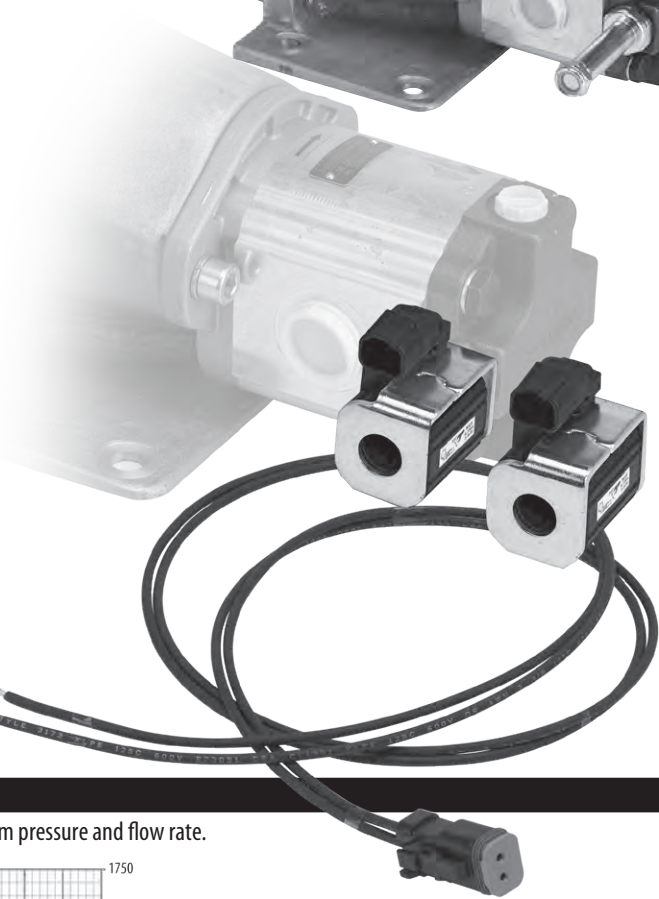
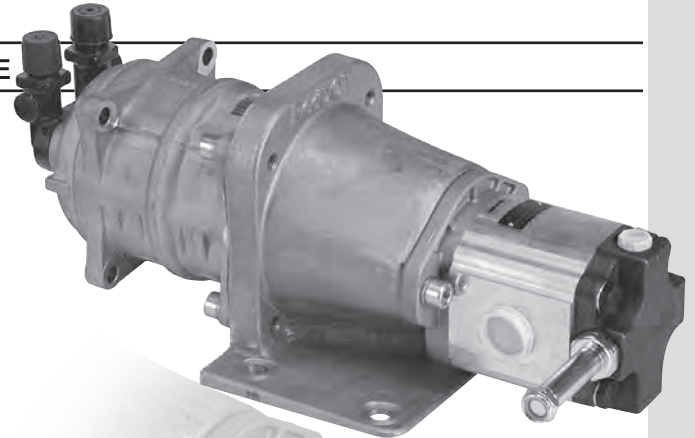
R-9976-7P = 23cc/rev

The new hydraulic motors have integrated on/off solenoid valve and bypass circuit offering greater hydraulic *flow* range flexibility and greater hydraulic *pressure* range flexibility.

Earlier versions used an external valve to control the flow of hydraulic fluid to the unit. Red Dot's new design has an on/off valve and bypass circuit built into the motor making it easier to connect only three hydraulic lines; earlier models required as many as seven lines. And the R-9976 requires no external control valves or bypass circuits.

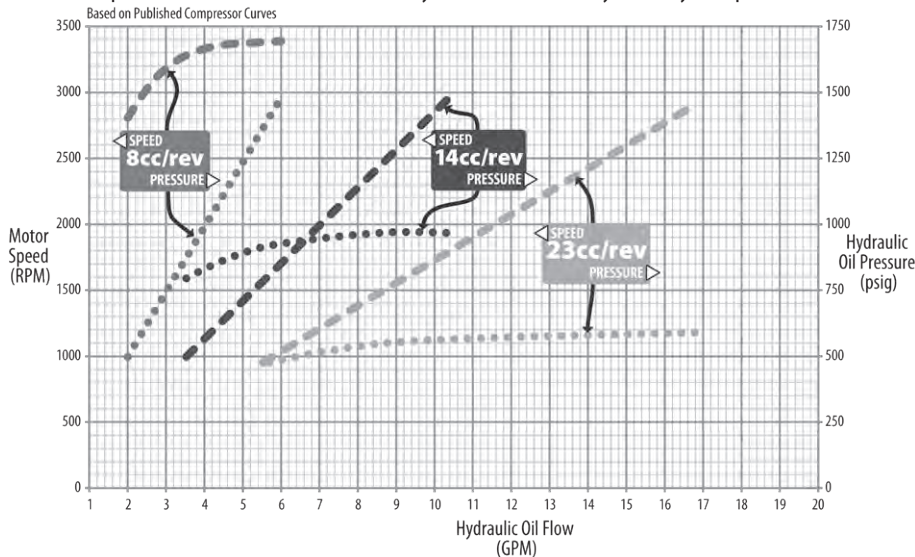
With fewer components and hydraulic connections, the new design is simpler to install and eliminates several potential leak points

Although the overall unit has a slightly larger footprint, the mounting plate is the same as previous installations.



HYDRAULIC FLOW AND PRESSURE CURVES

It is important to choose the correct assembly based on available hydraulic system pressure and flow rate.



Every R-9976 ships with both 12 and 24 volt coils and the wiring harness to connect it to your vehicle's electronics.

DIRECT DRIVE UNITS

RED DOT UNITS

BOOSTER PRESSURIZERS, FILTER SYSTEMS, FILTER KITS AND PARTS

ENGINAIR

78R5120

RD-5-15299-0P

Pressurizer Pump
Use with a downstream filter
12/24V



78R5125

RD-5-15300-0P

Precleaner and pressurizer pump
Use with a downstream filter
12/24V



78R5130

RD-5-15301-0P

Precleaner, filter and pressurizer pump
12/24V



78R5155

RD-5-15546-0P

Precleaner, charcoal filter and pressurizer pump
12/24V



78R5165

RD-5-15570-0P

Precleaner, HEPA filter and pressurizer pump
12/24V



78R5170

RD-5-15327-0P

Model EL
12/24V



KITS

ENGINEIR ACCESSORIES

78R5135 RD-5-15302-0P

Flanged air inlet



78R5140 RD-5-15303-0P

Filter



78R5145 RD-5-15304-0P

HEPA filter



78R5160 RD-5-15547-0P

Charcoal filter



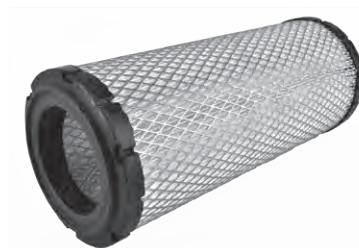
78R5180 RD-5-15334-0P

VLR Retro Kit (fits Donaldson 8")



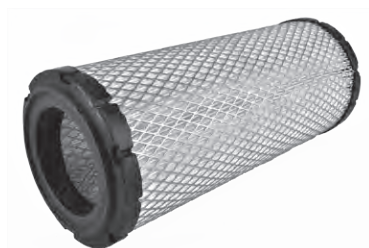
785172 RD-5-15350-0P

Model EL Filter



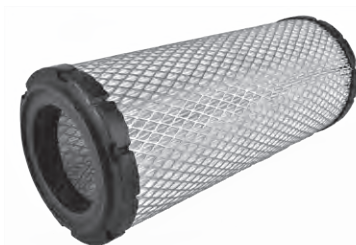
78R5173 RD-5-15350-1P

Model EL Charcoal filter



78R5174 RD-5-15350-2P

Model EL HEPA Filter



Pressurizer & Remote Mount Filters

Booster Blower

AGRICULTURAL • MINING • INDUSTRIAL

Attaching directly to the 78R5100 and 78R5110 remote mount filters (shown below) the Booster Blower forces dust free air into the cab through our heater and air conditioner units.

PRESSURIZER SPECIFICATIONS

AIR FLOW	140 CFM (238m ³ /h) with filter; 230 CFM (391m ³ /h) free flow
WEIGHT	7 lbs. (3 kg)
MOTOR/FAN	One 12 VDC, single speed (24 VDC available)
CURRENT DRAW	10.2 amps @ 13.6 VDC 6 amps @ 27.2 VDC
DIMENSIONS	4" inlet 3" outlet
UNITS	73R9202 (12 VDC) 73R9204 (24 VDC)



Remote Mount Filters

The integration of Red Dot's Remote Mount Filters with the Booster Blower guarantees your dust-free working environment.

BACKPACK MOUNT

78R5000



9" Dia x 16" long
(228mm x 464mm)

REPLACEMENT PARTS

Filter Model	78R5000
Filter	78R5200
Hood	RD-5-4288-0P
Band	RD-5-4289-0P
Rubber Elbow	78R5500

HORIZONTAL MOUNT

78R5100



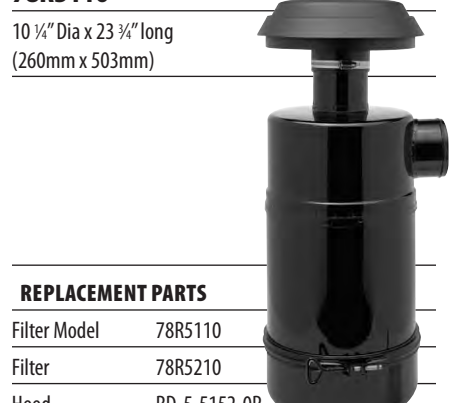
10 1/4" Dia x 18" long
(260mm x 457mm)

REPLACEMENT PARTS

Filter Model	78R5100
Filter	78R5210
Hood	RD-5-5151-0P
Band	RD-5-5150-0P

VERTICAL MOUNT

78R5110



10 1/4" Dia x 23 3/4" long
(260mm x 503mm)

REPLACEMENT PARTS

Filter Model	78R5110
Filter	78R5210
Hood	RD-5-5152-0P
Band	RD-5-5150-0P

* Cab pressure and protection level may vary with individual cab integrity



Intake Replacement Filter
78R5200



Fresh Air Intake Replacement Filter
78R5210



Air Outlet Adapter For Pressurization
72R4531

Off-Road Evaporator Kits All 134a Compatible

When ordering kits we recommended that you order both the condenser and the compressor mount kit.

Caterpillar

Model Name	Model Number	Engine	Kit Number	Evaporator	Condenser	Condenser Mount Kit	Compressor	Compressor Mount Kit
Dozer	953	3204	R-17002-5P ⁴	Included	Included	Included	Included	Included
Dozer	D4C	3204	R-17002-2P ⁴	Included	Included	Included	Included	Included
Dozer	D4h	3204	R-17002-3P ⁴	Included	Included	Included	Included	Included
Dozer	D5	3306	R-17002-4P ⁴	Included	Included	Included	Included	Included
Grader	120H	3116	R-17002-0P ⁴	Included	Included	Included	Included	Included
Grader	140H	3306	R-17002-1P ⁴	Included	Included	Included	Included	Included
Scraper	627B	3306	R-17004-0P ⁴	Included	Included	Included	Included	Included

Hitachi

Model Name	Model Number	Engine	Kit Number	Evaporator	Condenser	Condenser Mount Kit	Compressor	Compressor Mount Kit
Excavator	EX200		R-17000-0P ⁴	Included	Included	Included	Included	Included
Excavator	EX300		R-17000-1P ⁴	Included	Included	Included	Included	Included
Excavator	EX400		R-17000-2P ⁴	Included	Included	Included	Included	Included
Excavator	EX400-1		R-17000-3P ⁴	Included	Included	Included	Included	Included

John Deere

Model Name	Model Number	Engine	Kit Number	Evaporator	Condenser	Condenser Mount Kit	Compressor	Compressor Mount Kit
Excavator	490E-LC	4045T	R-10035-5P ³	Included	Included		Included	75R9715
Excavator	690E-LC	6068T / 6414T	R-10035-5P ^{1,2}	Included	Included	RD-11-0126-0P	Included	75R9710
Excavator	790E-LC	6068T / 6414T	R-10035-5P ³	Included	Included	RD-11-0127-0P	Included	75R9710
Excavator	892E-LC	6076	R-10035-5P ³	Included	Included	RD-11-0128-0P	Included	
Excavator	992E-LC	6101T	R-10035-5P ³	Included	Included	RD-11-0128-0P	Included	75R9805
Wheel Loaders	544H	6068T	R-10060-4P ²	Included	Included		Included	75R9405
Wheel Loaders	624H	6068T	R-10060-4P ²	Included	Included		Included	75R9410

Komatsu

Model Name	Model Number	Engine	Kit Number	Evaporator	Condenser	Condenser Mount Kit	Compressor	Compressor Mount Kit
Loader	WA180		R-17001-0P ⁴	Included	Included	Included	Included	Included
Loader	WA320-1		R-17001-1P ⁴	Included	Included	Included	Included	Included
Loader	WA380		R-17001-2P ⁴	Included	Included	Included	Included	Included
Loader	WA450		R-17001-3P ⁴	Included	Included	Included	Included	Included

Notes:

¹ Beginning with serial number 559603 John Deere pulley part #R123413 must be ordered to complete installation

² Must order John Deere pulley #123413 to complete installation

³ John Deere "Allied Approved" kit

⁴ 30-day lead time

VEHICLE SPECIFIC PARTS

BUSES

BUSES

WATER VALVE

72R6540

RD-5-9415-0P

Red Dot Model R-6120 Gillig Bus, R-6135 Orion Bus
Gillig Models 21-43550, 21-55565
Orion Models 071320036, 058, 151
 5/8" x 5/8" hose, 1/2 NPT-1/2 NPT
 Cable controlled
 Pull to Open



ROTARY ACTUATOR

71R3571

RD-5-8988-0P

Red Dot Model R-6135
Orion Models 071320036, 058, 151
 Servo Actuator, 126° max. travel



71R3583

RD-5-12450-1P

Universal Sealed Actuator, 12 Volt or 24 Volt
 Mounts in same position as many OE actuators
 Sealed unit, no worry of corrosion
 Control signal by linear voltage or pwm
 (pulse with modulation) input
 4 pin Duetz sealed connection
 104° maximum travel

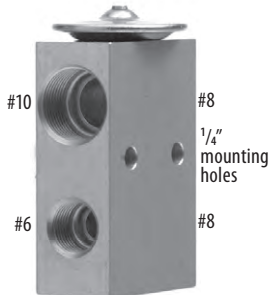


EXPANSION VALVES

71R8301

RD-5-6868-0P

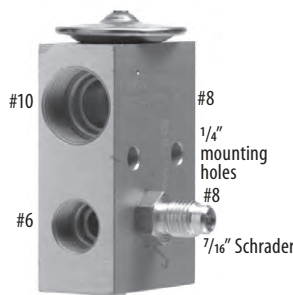
A/C Industries/Carrier Units
 OE#101-100 (R-12) OE#101-107 (R-134a)
 Kyser Units, OE#404098
Inlet: #6 (3/8") Female O-Ring
Outlet: #10 (5/8") Female O-Ring
Evaporator Fittings
In: #8 (1/2") Female O-Ring
Out: #8 (1/2") Female O-Ring
Superheat Rating: 5°F
Pressure Limit: 80 psig @40°F



71R8400

RD-5-7155-0P

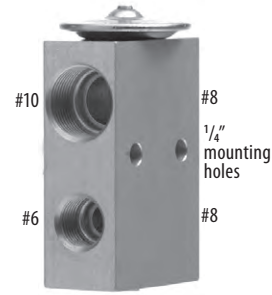
A/C Industries/Carrier Units OE#210-035
 High-Capacity (2-ton)
 With 7/16" Schrader Port
Inlet: #6 (3/8") Female O-Ring
Outlet: #10 (5/8") Female O-Ring
Evaporator Fittings
In: #8 (1/2") Female O-Ring
Out: #8 (1/2") Female O-Ring
Superheat Rating: 5°F
Pressure Limit: 50 psig @85°F



71R8459

RD-5-9327-0P

Orion Bus Models OE#G1310514BH
Inlet: #6 (3/8") Female O-Ring
Outlet: #10 (5/8") Female O-Ring
Evaporator Fittings
In: #8 (1/2") Female O-Ring
Out: #8 (1/2") Female O-Ring
Superheat Rating: 7°F
Pressure Limit: 80 psig @85°F



71R8100

RD-5-3824-1P

AC Industries / Carrier Units OE#101-102
 External Equalizer
Inlet: #6 (3/8") Male O-Ring
Outlet: #8 (1/2") Male O-Ring
 Equalizer Tube
Length: 13"
Nut: 1/4" Female O-Ring
Capillary Tube Length: 13"
Rating: 1 1/2 Ton



SINGLE SHAFT MOTORS

Dimensions are listed in order by Overall Length x Motor Length x Motor Diameter

73R0012 RD-5-10379-0P

Amtram Model 2503277C1
IHC/Navistar Model 2503277C1
Thomas Model 8566-0226
 Single Speed
 12 Volt
 Rotates Either Direction
 Stud Mounted, Span 2 5/16"
 Dimensions: 4" x 3 1/2" x 3"
 Shaft: 5/16" diameter, Length: 1 7/8"
 Vented
 Connector: Two conductor, 14 gauge



73R0142 RD-5-10070-0P

Alliance/Freightliner Model ABP N83 301881
Amtram Model 2503279C1
Thomas Applications
 Two Speed
 12 Volt
 Rotates Clockwise
 Field Wound Motor
 Stud Mounted, Span 2 5/16"
 Dimensions: 4 1/4" x 3 1/2" x 3"
 Shaft: 5/16" diameter, Length: 1"
 Vented
 Connector: Three conductor, two-speed, orange-high, red-low



BUSES

73R0032 RD-10491-0P

Red Dot Model R-7550-1
Orion Model 071330501 Series 12V Stepwell Heater
 Two Speed
 12 Volt
 Rotates Clockwise
 Field Wound Motor
 Stud Mounted, Span 2 5/16"
 Dimensions: 3 5/8" x 2 3/4" x 3"
 Shaft: 1/4" diameter, Length: 1 1/16"
 Non Vented
 Connector: Two conductor, orange-high, red-low



73R0322 RD-5-6531-0P

Amtram Model 1691708C91
IHC/Navistar Model 691708C91
Thomas Applications
 Single Speed
 12 Volt
 Rotates Counter Clockwise
 Permanent Magnet Motor
 Stud Mounted, Span 2 5/16"
 Dimensions: 4 1/2" x 3 5/8" x 3"
 Shaft: 5/16" diameter, Length: 1 1/2"
 Vented - RFI
 Connector: Two conductor Packard #12034343



73R0034 RD-10491-24P

Red Dot Model R-7550-0-24 LS
Orion Model 071330501 Series 24V Stepwell Heater
 Two Speed
 24 Volt
 Rotates Clockwise
 Field Wound Motor
 Stud Mounted, Span 2 5/16"
 Dimensions: 3 5/8" x 2 3/4" x 3"
 Shaft: 1/4" diameter, Length: 1 1/16"
 Non Vented
 Connector: Two conductor, orange-high, red-low



73R0332 RD-5-10867-0P

Red Dot Model R-7160
Thomas Applications
 Single Speed
 12 Volt
 Rotates Counter Clockwise
 Permanent Magnet Motor
 Flange / Plate Mounted
 Dimensions: 5" x 4" x 3"
 Shaft: 5/16" diameter, Length: 1 1/2"
 Vented
 Connector: Two conductors, female ring terminal, Packard #2984528



73R0082 RD-5-10071-0P

Alliance/Freightliner Model ABP N83 301901
Thomas Applications
 Two Speed
 12 Volt
 Rotates Clockwise
 Field Wound Motor
 Stud Mounted, Span 2 5/16"
 Dimensions: 3 1/2" x 2 5/8" x 3"
 Shaft: 1/4" diameter, Length: 1 1/16"
 Non Vented
 Connector: Two conductor, orange-high, red-low



73R0404 RD-5-4827-24P

Red Dot Model R-6135-0P, -2P
Orion Model 071320058 Underseat Heater
 Single Speed
 24 Volt
 Rotates Counter Clockwise
 Permanent Magnet Motor
 Stud Mounted, Span 2 5/16"
 Dimensions: 4 3/4" x 4" x 3"
 Shaft: 5/16" diameter, Length: 1 1/2"
 Vented
 Connector: Two conductor Packard #2984528, 2971859



BUSES

SINGLE SHAFT MOTORS

Dimensions are listed in order by **Overall Length x Motor Length x Motor Diameter**

BUSES

73R0632

RD-5-10069-0P

Amtram Model 2503279C1

Bluebird Model 4316238

IHC/Navistar Models ZGG19343, ZGG11643

Thomas 6500-0439, 8566-0378

Two Speed

12 Volt

Rotates Clockwise

Field Wound Motor

Stud Mounted, Span 2 5/16"

Dimensions: 4 9/16" x 3 5/8" x 3"

Shaft: 5/16" diameter, Length: 1 5/16"

Vented

Connector: Two conductor, orange-high, red-low



73R0642

RD-5-10072-0P

Bluebird 4316246

IHC/Navistar Model ZGG701089

Thomas Applications

Single Speed

12 Volt

Rotates Clockwise

Permanent Magnet Motor

Stud Mounted, Span 2 5/16"

Dimensions: 4 1/4" x 3 3/4" x 3"

Shaft: 5/16" diameter, Length: 1 5/8"

Vented

Connector: Two conductors, 1/4" male and female spade



73R0654

RD-5-10255-2P

Red Dot Model R-6135-1P, -3P

Orion Model 071320036 Underseat Heater

Two Speed

24 Volt

Rotates Clockwise

Brushless Motor

Stud / Strap Mounted

Dimensions: 4 11/64" x 4" x 3"

Shaft: 5/16" diameter, Shaft Length: 2 1/4"

Vented - RFI

Connector: 3 conductor Packard



73R1064

RD-5-9245-24P

Red Dot Model R-6120-0, -1, -2, -10

Gillig Models 21-4355, 21-55565

Single Speed

24 Volt

Rotates Counter Clockwise

Permanent Magnet Motor

Strap Mounted

Dimensions: 4 3/8" x 4 3/16" x 3"

Shaft: 5/16" diameter, Length: 1 1/8"

Vented

Connector: Two conductors, combined male/female bullet



DOUBLE SHAFT MOTORS

Dimensions are listed in order by Overall Length x Motor Length x Motor Diameter

73R4182 RD-5-6801-0P

Amtram Model 2503276C1
IHC/Navistar Models 1691733C91, ZGG19348
Thomas Model 8566-0102

Single Speed
 12 Volt
 Permanent Magnet Motor
 Strap / Stud Mounted, Span 2 5/16
 Dimensions: 4 3/4" x 4" x 3"
 Shafts: 5/16" diameter, length: 2 5/8"
 Vented
 Connector: 1/4" spade receptacle



73R4422 RD-5-5049-1P

IHC/Navistar Model ZGG19347
Thomas Model 8566-0297

Single Speed
 12 Volt
 Permanent Magnet Motor
 Strap / Stud Mounted, Span 2 5/16
 Dimensions: 5 1/4" x 4 1/2" x 3"
 Shafts: 5/16" diameter, length: 2 7/8"
 Vented
 Connector: Two conductor Packard #2984528
 1/4" blade terminal



73R4242 RD-5-8126-0P

Red Dot Model R-6145
Orion Model 071320015

Single Speed
 12 Volt
 Permanent Magnet Motor
 Strap / Stud Mounted, Span 2 5/16
 Dimensions: 5 5/16" x 4 1/2" x 3"
 Shafts: 5/16" diameter, length: 2 7/8"
 Vented
 Connector: Two conductor
 Packard #2984528, 1/4" Blade



73R4424 RD-5-5049-2P

Red Dot Models R-6125, R-6145
Orion Models 071310003, 071310011, 071320008, 071320015

Single Speed
 24 Volt
 Permanent Magnet Motor
 Strap / Stud Mounted, Span 2 5/16
 Dimensions: 5 5/16" x 4 1/2" x 3"
 Shafts: 5/16" diameter, length: 2 7/8"
 Vented
 Connector: Two conductor Packard #2984528
 1/4" blade terminal



73R4312 RD-5-10073-0P

Thomas Applications, Freightliner # ABP N83 301332

Single Speed
 12 Volt
 Permanent Magnet Motor
 Stud Mounted, Span 2 5/16
 Dimensions: 5 3/8" x 4 1/2" x 3"
 Shafts: 5/16" diameter, length: 2 13/16"
 Vented
 Connector: Two conductor 1/4" spade receptacle



73R4532 RD-3-10538-0P

IHC/Navistar Model ZGG701071
Thomas Model 1118390

Single Speed
 12 Volt
 Field Wound Motor
 Stud Mounted, Span 2 5/16
 Dimensions: 5 1/8" x 4 1/2" x 3"
 Shafts: 5/16" diameter,
 Shaft length: 2 7/8"
 Vented
 Includes gasket and wire assembly
 Connector: Two conductor integrated spade receptacle



73R4322 RD-5-10068-0P

Thomas Model Applications, Freightliner # ABP N83 301322

Single Speed
 12 Volt
 Permanent Magnet Motor
 Stud Mounted, Span 2 5/16
 Dimensions: 4 7/8" x 4 1/2" x 3"
 Shafts: 5/16" diameter, length: 2 1/2"
 Vented
 Connector: Two conductor spade receptacle



BUSES

ALL PURPOSE FANS

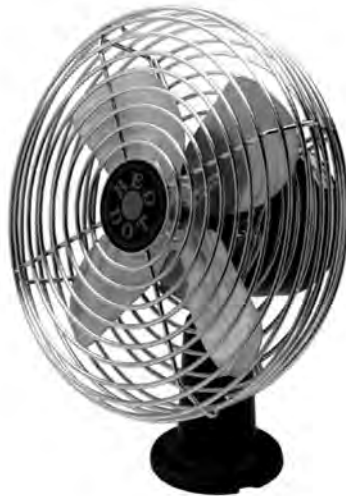
The all purpose fan is designed to mount on either Horizontal (dash) or vertical (wall) surfaces. A unique spring loaded ball and socket allows easy adjustment of air direction, but once set remains in position. The 73R9052 fan blade has a matte black polypropylene fan guard and the 73R9062 uses a bright chrome metal wire guard.

BUSES

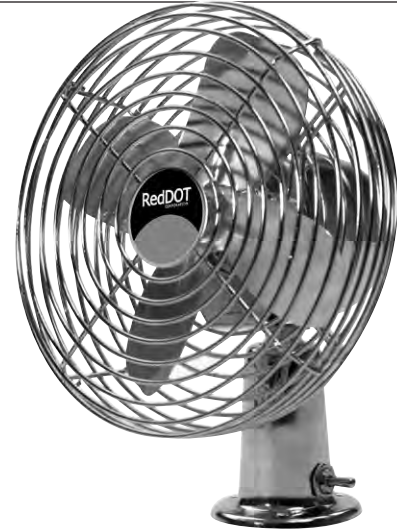
73R9062	RD-5-5796-0P
IHC/Navistar Model 221099C1 Thomas Applications 5200-3268	
Size	7.5" Diameter Fan, 8.625" Fan Height
Height	Fan Guard, x 5.33" x 8.75"
Weight	2.5 lbs.
Motor	12 VDC
Current Draw	3.3 Amps @ 13.6 VDC: 1.65 Amps @ 27.2 VDC
Controls	3 Position Switch – Off/Low/High
Color	Black



73R9064	RD-5-5796-24P
IHC/Navistar Model 4507329R1	
Size	7.5" Diameter Fan, 8.625" Fan Height
Height	Fan Guard, x 5.33" x 8.75"
Weight	2.5 lbs.
Motor	24 VDC
Current Draw	3.3 Amps @ 13.6 VDC: 1.65 Amps @ 27.2 VDC
Controls	3 Position Switch – Off/Low/High
Color	Chrome



73R9082	RD-5-10490-0P
Amtram, IHC/Navistar Model 783966C93 Thomas Applications, Freightliner ABP N83 309311	
Size	7.5" Diameter Fan, 8.75" Fan Height
Height	Fan Guard, x 5.33" x 8.75"
Weight	2.5 lbs.
Motor	12 VDC
Current Draw	3.3 Amps @ 13.6 VDC: 1.65 Amps @ 27.2 VDC
Controls	3 Position Switch – Off/Low/High
Color	Black or Chrome



PANCAKE FANS

73R8664

RD-5-9919-24P

**Red Dot Models R-6140-2-24P, -3-24P, -5
Gillig Model 21-42075 Series Underseat Heater**

Single Speed – Puller
24 Volt
Rotates Counter Clockwise
Permanent Magnet
Motor
Mounted with Shroud & Fan
Dimensions:
11 5/8" diameter x 3" thick
Height 12 1/4"



73R8702

RD-5-8759-1P

**Red Dot Models R-3540
Gillig Model 21-42075 Series Underseat Heater**

Single Speed – Pusher
12 Volt
Rotates Clockwise
Permanent Magnet Motor
Mounted with Shroud & Fan
Dimensions:
8" diameter x 2 1/2" thick
Height: 8 1/2"



BUSES

73R8674

RD-5-10933-1P

**Red Dot Models R-6140-45
Gillig Model 21-42075 Series Underseat Heater**

Single Speed – Puller
24 Volt
Rotates Counter Clockwise
Brushless Motor
Mounted with Shroud & Fan
Dimensions:
10 3/4" diameter x 5" thick
Height 11 1/4"



BLADED FANS

* Rotation as viewed from discharge side.

73R8050

RD-3133-9P

**Red Dot Models R-7550
Orion Model 071330501**

6" Diameter
Rotates Clockwise



VEHICLE SPECIFIC PARTS

BUSES

BLOWER WHEELS

BUSES

73R6370

RD-5-5601-0P

Red Dot Models R-6135
Orion Models 071310036, 058, 151 Underseat Heater

5 3/4" diameter, 3" width
5/8" bore diameter
Hub inset: 1 1/4"
Counter Clockwise Rotation
Plastic
Single Entry



73R7201

RD-5-10935-0P

Red Dot Models R-7160
Thomas Bus

5 5/8" diameter, 3 3/4" width
5/8" bore diameter
Hub inset: 1/2"
Dual Rotation
Plastic
Double Entry



73R7130

RD-5-10346-0P

IHC/Navistar Model 1691728C1
Thomas Model 8566-0050

4 3/4" diameter, 3 7/32" width
5/8" bore diameter
Hub inset: 1 1/4"
Dual Rotation
Plastic
Double Entry



73R7202

RD-5-10935-2P

Red Dot Models R-6120
Gillig Models 21-43550, 21-55565

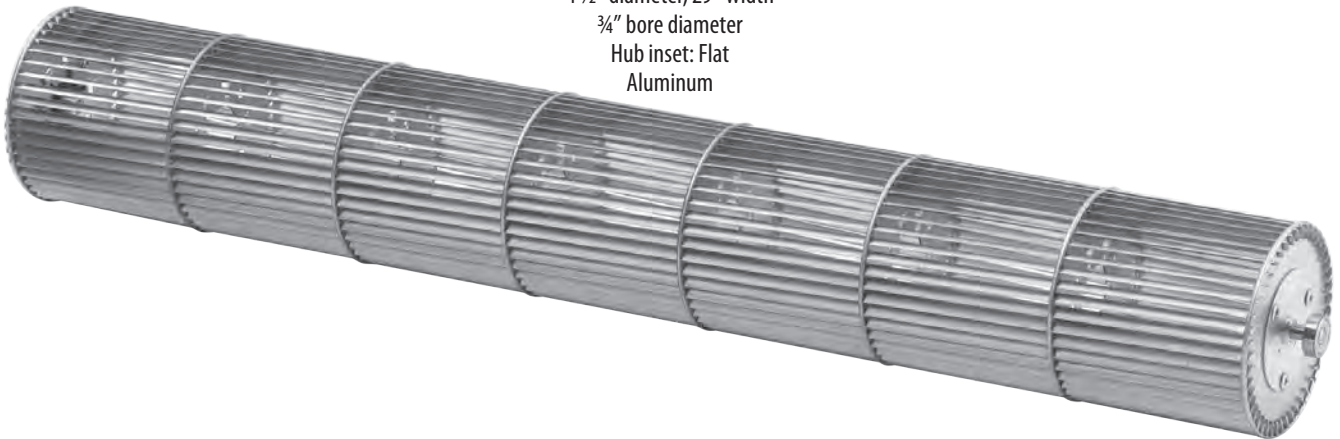
5 1/4" diameter, 3 3/4" width
5/8" bore diameter
Hub inset: 1/2"
Counter Clockwise Rotation
Plastic
Double Entry
Fits Brushed Blower Motor
73R1064 / RD-5-9245-24P



73R7220

RD-5-15298-0P

4 1/2" diameter, 29" width
3/4" bore diameter
Hub inset: Flat
Aluminum



RECEIVER DRIERS

74R0480

RD-5-14686-0P

2 3/4" diameter x 8 1/4" long
#8 Male O-Ring Inline
With moisture indicator



74R0490

RD-5-14688-0P

2 1/2" diameter x 7 3/4" long
#12 Male O-Ring Inline
With moisture indicator



74R0485

RD-5-14687-0P

3" diameter x 10" long
#8 Flare O-Ring Inline



BUSES

VEHICLE SPECIFIC PARTS

BUSES

HEATER CORES

BUSES

76R1550

RD-1-1401-0P

Red Dot Unit Model R-7550-1

Orion Model 071330501

6" high x 6" long x 3 1/2" wide



76R3943

RD-1-2379-0P

Red Dot Unit Model R-7160, Thomas Bus Heater

10 7/64" high x 17 3/4" long x 3 1/32" wide



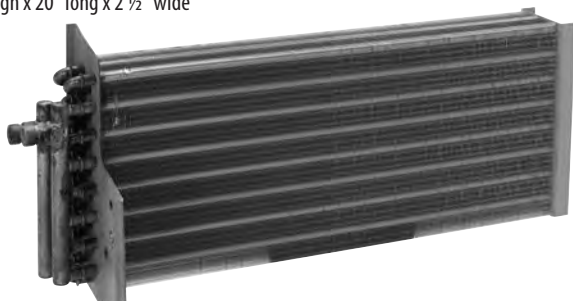
76R3905

RD-3-10194-0P

Red Dot Unit Model R-6125

Orion Model 071310003, 071310011

8" high x 20" long x 2 1/2" wide



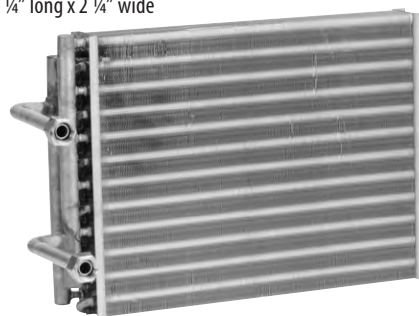
76R3950

RD-1-1919-0P

Red Dot Unit Model R-6140

Gillig Model 21-42075

12 1/8" high x 6 1/4" long x 2 1/4" wide



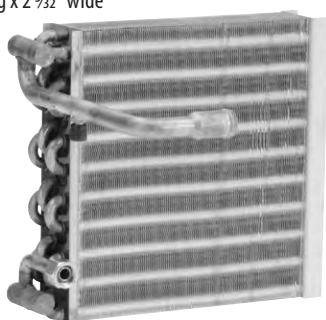
76R3940

RD-1-2079-0P

Red Dot Unit Model R-6135

Orion Model 071320036, 058, 151 Underseat heater

10" high x 10 3/16" long x 2 3/32" wide

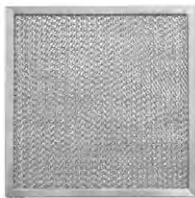


AIR FILTERS

BUSES

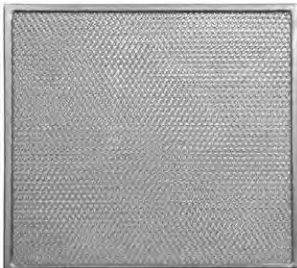
78R5236 RD-5-10077-0P

IHC/Navistar Models ZGG720002
 Thomas 8566-0439
 9" x 9" x 5/8" thick



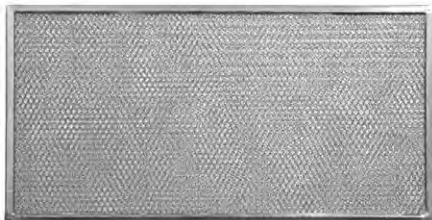
78R5244 RD-5-10076-0P

Thomas 8566-0237
 14" x 12 3/4" x 3/16" thick



78R5249 RD-5-10080-0P

Thomas Applications
 20 1/4" x 10 3/8" x 1/4" thick



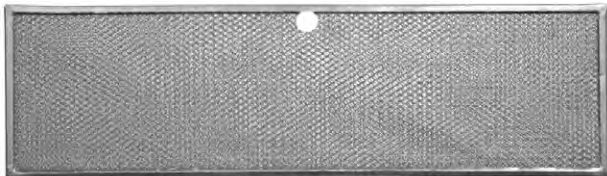
78R5252 RD-5-10078-0P

Thomas Applications
 23 1/2" x 5" x 5/16" thick



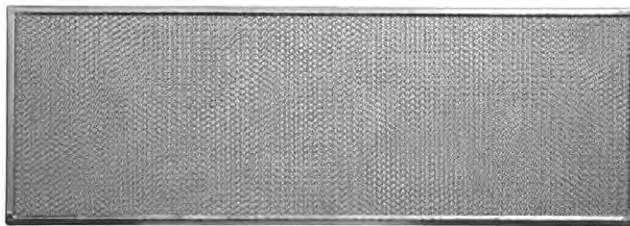
78R5254 RD-5-10079-0P

Thomas Applications
 28 1/2" x 8 1/4" x 5/16" thick



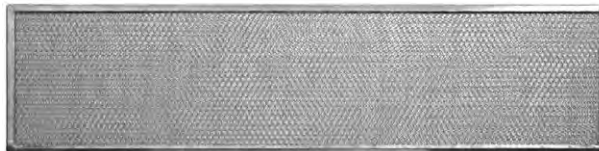
78R5255 RD-5-10082-0P

IHC/Navistar Models ZGG720008
 Thomas Applications
 30" x 10 3/8" x 3/8" thick



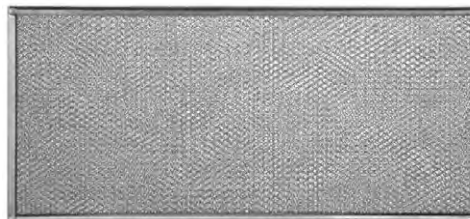
78R5256M RD-10075-1P

IHC/Navistar Models ZGG720006
 Thomas 8566-0237
 28 1/2" x 7 1/8" x 1/4" thick



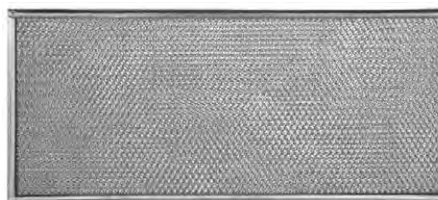
78R5257 RD-5-10081-0P

IHC/Navistar Models ZGG720005
 22 1/2" x 10 1/4" x 1/4" thick



78R5258 RD-5-10074-0P

Thomas Applications
 21" x 9 1/4" x 1/4" thick



VEHICLE SPECIFIC PARTS

BUSES

AIR FILTERS

BUSES

78R5306M

RD-5-10773-1P

Red Dot Models R-6135

IHC/Navistar Models ZGG720007, ZGG14263

13 1/2" Wide – 13" High – 3/4" Thick



78R5361M

RD-5-9234-1P

Red Dot Model R-6120, -1,-2,-10,-11,

Gillig Model 21-43550, 21-55565 Series

17" x 4 1/2" x 1/4" thick



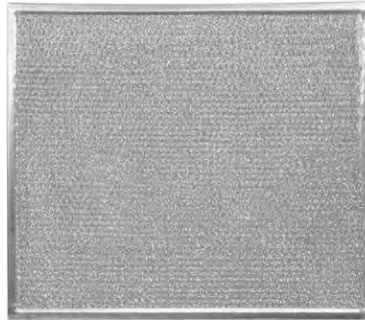
78R5363

RD-5-9233-0P

Red Dot Model R-6140

Gillig Model 21-42075 Series

16 1/4" x 12 5/16" x 1/4" thick



78R5309

RD-5-10249-0P

Red Dot Model R-6145

Orion Model 071320008, 071320015

23 1/2" x 4" x 3/8" thick



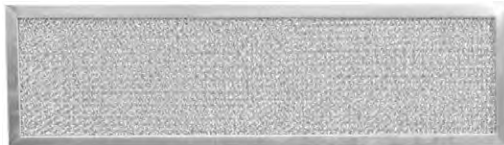
78R5351

RD-5-10041-0P

Red Dot Model R-6125

Orion Model 071320008, 071320015

16 3/4" x 10 5/32" x 1/4" thick



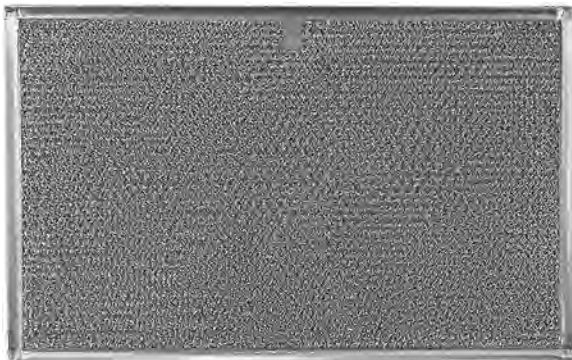
78R5353M

RD-5-10795-1P

Red Dot Model R-7160

Thomas Applications

16 3/4" x 10 5/32" x 1/4" thick



BUS PRODUCT OE / AFTERMARKET CROSS REFERENCE

Red Dot Part No.	Red Dot Factory No.	Amtran	Bluebird	Gillig Model No.	IHC Navistar	Orion Model No.	Thomas Model No.
71R8459	RD-5-9327-0P					G1310514BH	
72R6540	RD-5-9415-0P			21-43550, 21-55565			
73R0012	RD-5-10379-0P	2503277C1			2503277C1		8566-0226
73R0142	RD-5-10070-0P	2503279C1			2503279C1		8566-0378
73R0322	RD-5-6531-0P	1691708C91			691708C91		
73R0414	RD-5-4827-2P					71320058	
73R0552	RD-3106-12P						2606-2365
73R0632	RD-5-10069-0P	2503279C1	4316238		ZGG11643, ZGG19343		6500-0439, 8566-0378
73R0642	RD-5-10072-0P		4316246		ZGG701089		
73R0654	RD-5-10255-2P					71320036	
73R1064	RD-5-9245-24P			21-43550, 21-55565			
73R4182	RD-5-6801-0P	2503276C1			1691733C91, ZGG19348		8566-0102
73R4242	RD-5-8126-0P					71320015	
73R4422	RD-5-5049-1P				ZGG19347		8566-0297
73R4424	RD-5-5049-2P					071310003, 8, 11, 071320015	
73R4532	RD-3-10538-0P				ZGG701071		1118390
73R6370	RD-5-5601-0P					071310036, 058, 151	
73R7130	RD-5-10346-0P				1691728C1		8566-0050
73R7202	RD-5-10935-2P			21-43550, 21-55565			
73R8050	RD-3133-9P					71330501	
73R9062	RD-5-5796-0P				221099C1		5200-3268
73R9064	RD-5-5796-24P				4507329R1		
73R9082	RD-5-10490-0P	783966C93			783966C93		
76R1550	RD-1-1401-0P					71330501	
76R3940	RD-1-2079-0P					071310036, 058, 151	
76R3905	RD-3-10194-0P					071310003, 11	
76R3950	RD-1-1919-0P			21-42075			
78R5236	RD-5-10077-0P				ZGG720002		8566-0439
78R5244	RD-5-10076-0P						8566-0237
78R5255	RD-5-10082-0P				ZGG720008		
78R5256	RD-5-10075-0P				ZGG720006		8566-0237
78R5257	RD-5-10081-0P				ZGG720005		
78R5306M	RD-5-10773-1P				ZGG14263, ZGG720007		
78R5309	RD-5-10249-0P					71320008, 15	
78R5351	RD-5-10041-0P					71320008, 15	
78R5361	RD-5-9234-0P			21-43550, 21-55565			
78R5363	RD-5-9233-0P					71320008, 15	

BUSES

ON-ROAD APPLICATIONS

CARRIER

YEAR	MODEL	DESCRIPTION	OEM PART #	FACTORY #	RedDOT #
------	-------	-------------	------------	-----------	----------

CARRIER

BLOWER MOTOR

Bus Parts	Blower motor	BLW-200-41	RD-5-14684-0P	73R5772
-----------	--------------	------------	---------------	----------------



BLOWER WHEEL

Bus Parts	Blower Wheel	MCC# 38-00564-50	RD-5-15298-0P	73R7220
-----------	--------------	------------------	---------------	----------------



FAN

Bus Parts	Vector fan	MTR-140V	RD-5-14681-0P	73R8712
Bus Parts	Condenser fan	MTR-105P	RD-5-14682-0P	73R8722

73R8712 RD-5-14681-0P

Single Speed Pusher
12 Volt
Rotates Counter Clockwise
Permanent Magnet Motor
mounted with Shroud & Fan
Dimensions:
12" diameter x 4" thick
Height 12"

73R8722 RD-5-14682-0P

Single Speed Puller
12 Volt
Rotates Counter Clockwise
Permanent Magnet Motor
mounted with Shroud & Fan
Dimensions:
13" diameter x 2 1/2" thick
Height 13"

RECEIVER DRIER

Bus Parts	Receiver Drier	DRI-104	RD-5-14685-0P	74R0475
-----------	----------------	---------	---------------	----------------

74R0475 RD-5-14685-0P

3" diameter x 8 1/4" long
Carrier #DRI-104

YEAR	MODEL	DESCRIPTION	OEM PART #	FACTORY #	RedDOT #
------	-------	-------------	------------	-----------	----------

CHEVROLET/GMC

ACTUATOR

1992-01	Topkick	Electric, Rotary, Duct Door	16141802	RD-5-13605-0P	71R3571
---------	---------	-----------------------------	----------	---------------	----------------

71R3571 RD-5-13605-0P

Servo Actuator,
126° max. travel



COMPRESSOR

1980-85	All w/OEM Number	GM A6, 1 groove 1/2" width, 4 7/8" diameter (124mm), generic	1131202, 12300270, 1131197	RD-5-5000-0P	75R8102
1994-00	All w/OEM Number	Sanden 7H15, 12V, 2A Groove, 125MM, 2 Wire, QD Head	15653237, 15680077, 15020478	RD-5-10283-0P	75R83112
1993	All w/OEM Number	Sanden 7H15, 12V, 2A Groove, 125MM, 2 Wire, QD Head	12387671, 15679484	RD-5-10283-0P	75R83112

75R8102 RD-5-5000-0P

GM A6R, Generic Superheat switch port
5" Single Groove Clutch 12 volt
Pulley with 3/8" - 3/4" variable groove R-12 / R134a
Standard thread mounting holes Clockwise rotation
No Oil

75R83112 RD-5-10283-0P

Model: 7H15 **Head:** QD **Voltage:** 12
Mount: Ear **Sanden:** 7803
Clutch: 4.9" (125mm) A2 Groove **R-134a**



CONDENSER

2003-09	Topkick	Condenser Parallel Flow	15112434, 15-63391	RD-4-7538-0P	77R8420
---------	---------	-------------------------	--------------------	--------------	----------------

EXPANSION VALVE

1978-92	Topkick	Block, #6 #10 #8 #8, with Mounting Holes	02-7086617	RD-5-6868-0P	71R8301
---------	---------	--	------------	--------------	----------------

71R8301 RD-5-6868-0P

Inlet: #6 (3/8") Female O-Ring
Outlet: #10 (3/4") Female O-Ring
Evaporator Fittings:
In: #8 (1/2") Female O-Ring
Out: #8 (1/2") Female O-Ring
Superheat Rating: 5°F
Pressure Limit: 80 psig @40°F



ORIFICE TUBE

1991-00	Topkick	Orifice Tube-Blk/Wht	3093576, 3096068	RD-5-10012-0P	71R8501
1999-10	Topkick	Orifice Tube-White	15-5151, 3033879, 3033919	RD-5-4919-0P	71R8500

71R8500 RD-5-4919-0P

White - GM CCOT OE#3033879, 3033919, IHC#1676822-C91
Length: 3.485", O.D.: .386", Orifice: .071"



71R8501 RD-5-10012-0P

Black/White - GM CCOT, OE#3096068
Length: 3.55", O.D.: .386", Orifice: .071"



ON-ROAD APPLICATIONS

CHEVROLET/GMC

YEAR	MODEL	DESCRIPTION	OEM PART #	FACTORY #	RedDOT #
------	-------	-------------	------------	-----------	----------

CHEVROLET/GMC

RECEIVER DRIER

1980-93	Topkick	In-line Drier, 2 1/2" X 6 9/16", #6 to #8 male O-Ring	15-1641, 15505227, 2724475, 3949269	RD-5-4947-0P	74R0450
---------	---------	---	-------------------------------------	--------------	----------------

74R0450 RD-5-4947-0P

2 1/2" diameter x 6 9/16" long
#6 - #8 Male O-Ring Inline – No Port, No Glass



RELAY

1985-93	Topkick	Relay, Blower, 12V, 20/30A, Tab Mount, 5 Terminals	221655	RD-5-4408-0P	71R1702
1990-00	Topkick	Relay, Blower, 12V, 30/40A, Socket Mount	14100455, 25520198, 3949297	RD-5-9915-0P	71R1722
1990-95	Topkick	Relay, Blower, 12V, 30/40A, Socket Mount	14100455, 3949297	RD-5-9915-0P	71R1722
1983-85	Topkick	Relay, Blower, 12V, 20/30A, Tab Mount, 5 Terminals	2098912	RD-5-4408-0P	71R1702

71R1702 RD-5-4408-0P

12V Relay, 30/20 amps, SPDT, 5 terminals Bosch type



71R1722 RD-5-9915-0P

12V Relay with Diode, 40/30 amps, SPST, 5 terminals



WATER VALVE

1984-89	Topkick	Cable Controlled, 5/8" Hose, STR-STR, Pull to Open	3857131	RD-4257-0P	72R5050
---------	---------	--	---------	------------	----------------

72R5050 RD-4257-0P

5/8" hose to 5/8" hose



YEAR	MODEL	DESCRIPTION	OEM PART #	FACTORY #	RedDOT #
------	-------	-------------	------------	-----------	----------

FREIGHTLINER

ACTUATOR

	All with OEM Part No.	Single action air cylinder, 3/4" diameter, 3 1/4" length	RDH RD3267 1	RD-3267-1P	72R1100
2002-17	M2	Universal, 12v/24v, 4 pin Deutz Connector, 104° Max Travel	VCC32000022	RD-5-12450-1P	71R3583

72R1100 RD-3267-1P

.75" Dia x 3.25" Long – 1.02" Stroke – Brass



71R3583 RD-5-12450-1P

Universal, 12 or 24 Volt
4-pin Deutz
sealed connection
104° maximum
travel



BLOWER MOTOR

1994 -01	Century C112, Century C120, Columbia	Main unit (Assembly), plate mounted, 7" diameter, CW, 1 speed, 4 3/4" length	ABP N83 301137, BOA-85-440-50-009, HA1870	RD-5-11466-0P	73R3002
1994-04	FL50, FL60, FL70, FLB, FLL	Main unit (Assembly), plate mounted, 7" diameter, CW, 1 speed, 4 3/4" length	BOA-85-440-50-009	RD-5-11466-0P	73R3002
1994-04	Century C112, Century C120, Columbia	Main unit (Assembly), plate mount, 7 3/16" diameter	BOA-80-415-00-789	RD-5-11489-0P	73R3062
1998-00	All with OEM Part No.	A/C and heater 7 7/8" flange motor, CW, vented, shaft length 1 1/2"	ABP N83 301020	RD-5-11579-0P	73R3072
2000-06	All with OEM Part No.	Behr Auxillary Unit (with water valve), plate mount, 7 3/16" diameter	ABP N83 301327, 2809-841-036	RD-5-11488-0P	73R3052
2002-05	Century C112, Century C120, Columbia	Main unit with blower assembly, plate mount, 7 3/16" diameter	BOA-85-462-5000-900, 2809-850-053	RD-5-11488-0P	73R3052
2002-11	Century C112, Century C120, Columbia, Coronado	Front and Aux with Blend air system	BOA94350, BOAD8587	RD-5-13067-0P	73R3122
2006-07	Classic XL, FLP Conventional	Sleeper cab motor, single shaft with brackets	2808-841-036M	RD-5-8255-0P	73R0982

73R3002 RD-5-11466-0P

Single Speed
12 Volt
Rotates CW
PM Motor
Plate Mounted
Dimensions: 4 3/8" x 4" x 3"
Shaft: 3/16" diameter, Length: 1 1/2"
Plate/Flange Diameter: 7"
Wheel: 6" diameter, 2 1/2" width
Vented
Connector: Two conductor Packard terminal block
12065863 with 12020120 terminal



73R3062 RD-5-11489-0P

Single Speed **LS**
12 Volt
Rotates CCW
Permanent Magnet Motor
Plate Mount
Dimensions: 4" x 3 13/16" x 3"
Shaft: 3/16" diameter, Length: 1 1/2"
Plate/Flange Diameter: 7 3/16"
Wheel: 6" diameter, 2 1/2" width – Vented



73R3072 RD-5-11579-0P

Single Speed
12 Volt
Rotates CW
Permanent Magnet Motor
Plate Mount
Dimensions: 4 5/8" x 3 3/4" x 3 3/4"
Shaft: 3/16" diameter, Length: 1 1/2"
Plate/Flange Diameter: 7 3/8"
Vented
Connector: Two conductor module #373-112-01



73R3052 RD-5-11488-0P

Single Speed
12 Volt
Rotates CCW
Permanent Magnet Motor –
Plate Mount
Dimensions: 4 1/4" x 3 13/16" x 3"
Shaft: 3/16" diameter, Length: 1 1/2"
Plate/Flange Diameter: 7 3/16"
Wheel: 6" diameter, 2 1/2" width
Vented
Connector: Two conductor Packard terminal block #12064750



73R3122 RD-5-13067-0P

Single Speed
12 Volt
Rotates CW
Flange Mount



73R0982 RD-5-8255-0P

Single Speed
12 Volt
Rotates CCW
Permanent Magnet Motor
Strap/Stud Mounted, Span 2 5/16"
Dimensions: 4 13/16" x 4" x 3"
Shaft: 3/16" diameter, Length: 1 3/4"
Vented, Strap diameter (hole to hole): 6 5/16", 120° angle
Connector: Two female ring terminals



ON-ROAD APPLICATIONS

FREIGHTLINER

YEAR	MODEL	DESCRIPTION	OEM PART #	FACTORY #	RedDOT #
------	-------	-------------	------------	-----------	----------

FREIGHTLINER

CLUTCH ASSEMBLY

All with OEM Part No.	12V, PV6 Groove, 5 3/4", 2 Wire	024 25244	RD-5-10363-0P	75R0502
All with OEM Part No.	12V, PV6 Groove, 5 3/4", 1 Wire	024 25144, ABP N83 303287	RD-5-10364-0P	75R0512
All with OEM Part No.	12V, PV8 Groove, 6 1/8", 2 Wire	024 25247, ABP N83 303123T	RD-5-10365-0P	75R0682
All with OEM Part No.	12V, PV6 Groove, 5 7/8", 2 Wire	024 25241, MAE MG07, ABP N83 303187	RD-5-10366-0P	75R0522
All with OEM Part No.	12V, 2A Groove, 125MM, 2 Wire	4740-9931, 6593-6010	RD-5-10368-0P	75R1532
All with OEM Part No.	Poly 6 groove, 4.7" 119mm diameter pulley, bullet plug	6524-6010	RD-5-10398-0P	75R0032
All with OEM Part No.	2 groove 5 21/64" 135mm diameter pulley, 1/2" width, bullet plug	2570151, 624-19724	RD-5-11025-0P	75R0172
All with OEM Part No.	12V, 1A Groove, 6", 1 Wire	024 21942, ABP N83 303051	RD-5-4966-0P	75R0302
All with OEM Part No.	2 groove 6" diameter pulley, 1/2" width, 1 5/8" ga, bullet plug	03-1104973, 501215, 518521	RD-5-4967-0P	75R0452
All with OEM Part No.	12V, 2A Groove, 6", 1 Wire	024 25190, 03-1104973, 501939	RD-5-4972-1P	75R1202
All with OEM Part No.	1 groove, 6 3/4" diameter pulley, 1/2" width, 1 3/4" gaugeline, bullet plug	A22-22499, L50-2731, ABP N83 303071	RD-5-4975-0P	75R1652
All with OEM Part No.	12V, 2A Groove, 7", 1 Wire	ABP N83 303012, 332334, MA 7A	RD-5-4994-0P	75R4502
All with OEM Part No.	12V, 2A Groove, 132MM, 1 Wire	6514-6210, 6519-6010, 6575-6310	RD-5-5486-0P	75R0202
All with OEM Part No.	12V, 1A Groove-Overhang, 125MM, 1 Wire	511869, ABP N83 303261	RD-5-6646-0P	75R0182
All with OEM Part No.	12V, PV6 Groove, 6 1/8", 1 Wire	024 25078, ABP N83 303007, 513352	RD-5-8009-0P	75R0612
All with OEM Part No.	2 groove 7" diameter pulley, 24V, 1/2" width, 2" ga, bullet plug	ABP N83 303342, 501075	RD-5-8382-0P	75R4534
All with OEM Part No.	12V, 2A Groove, 6", 2 Wire	024 25238, ABP N83 303063T	RD-5-9456-0P	75R1302
All with OEM Part No.	12V, PV8 Groove, 5 3/8", 1 Wire	ABP N83 303307, ABP N83 303017	RD-5-9802-0P	75R0662

75R0502 RD-5-10363-0P

Diameter: 5 3/4"
Groove: Poly 6
Width: .14"
12 Volts
B Dimension: 2"



Double wire coil w diode
Metripak plug

75R0512 RD-5-10364-0P

Diameter: 5 3/4"
Groove: Poly 6
Width: .14"
12 Volts
B Dimension: 2"



Single wire coil w diode
Weatherpak plug

75R0682 RD-5-10365-0P

Diameter: 6 1/8"
Groove: Poly 8
Width: .14"
12 Volts
B Dimension: 1 15/16"



Double wire coil w diode
Metripak plug

75R0522 RD-5-10366-0P

Diameter: 5 7/8"
Groove: Poly 6
Width: .14"
12 Volts
B Dimension: 1 5/8"



Double wire coil w diode,
Metripak plug

75R0032 RD-5-10398-0P

Model 709 / 7H15
Diameter: 4.7" / 119mm
Groove: Poly 6
Width: .14"
12 Volts
B Distance: 2 1/2" / 63mm



Double wire coil
Male bullet plug

75R0172 RD-5-11025-0P

Model: Seltec - CH
Diameter: 5 21/64" / 135mm
Groove: 2
Width: 1/2"
12 Volts
B Dimension: 1 1/4" / 40mm



Single wire coil
Male bullet plug

75R0302 RD-5-4966-0P

Diameter: 6"
Groove: 1
Width: 1/2"
12 Volts
B Dimension: 2 3/4"



Single wire coil w diode
Weatherpak plug

75R0452 RD-5-4967-0P

Diameter: 6"
Groove: 2
Width: 1/2"
12 Volts
B Dimension: 1 5/8"



Single wire coil
Male bullet plug

75R1202 RD-5-4972-1P

OE #501939, MAE-6AR
Diameter: 6"
Groove: 2
Width: 1/2"
12 Volts
B Dimension: 1 5/8"



Single wire coil with diode
Weatherpak plug

75R1652 RD-5-4975-0P

OE #L50-2731
Diameter: 6 3/4"
Groove: 1
Width: 3/8"
12 Volts
B Dimension: 1 3/8"



Single wire coil
Male bullet plug

75R4502 RD-5-4994-0P

Diameter: 7"
Groove: 2
Width: 1/2"
12 Volts
B Dimension: 2"



Single wire coil
Male bullet plug

75R0202 RD-5-5486-0P

Model SD5 (508, 510, 5H14)
Diameter: 5 1/4" / 132mm
Groove: 2
Width: 1/2"
12 Volts
B Distance: 1 1/4" / 40mm



Single wire coil
Bare wire

CLUTCH ASSEMBLY CONTINUED ON NEXT PAGE

YEAR	MODEL	DESCRIPTION	OEM PART #	FACTORY #	RedDOT #
------	-------	-------------	------------	-----------	----------

FREIGHTLINER

CLUTCH ASSEMBLY

75R0182 RD-5-8382-0P

Model: Seltec/TAMA - CH
Diameter: 4.9" / 125mm
Groove: 1
Width: 1/2"
12 Volts
B Dimension: 2 7/16" / 62 mm



Single wire coil
Male bullet plug

75R0612 RD-5-8009-0P

Diameter: 6 1/8"
Groove: Poly 6
Width: .14"
12 Volts
B Dimension: -



Single wire coil w diode
Female Weatherpak (IHC) plug

75R4534 RD-5-8382-0P

Diameter: 7"
Groove: 2
Width: 1/2"
24 Volts
B Dimension: 2"



Single wire coil
Male bullet plug

75R1302 RD-5-9456-0P

Diameter: 6"
Groove: 2
Width: 1/2"
12 Volts
B Dimension: 1 5/8"



Double wire coil w diode
Metripak plug

75R0662 RD-5-9802-0P

Diameter: 5 5/8"
Groove: Poly 8
Width: .14"
12 Volts
B Dimension: 1 5/8"
Single wire coil with diode
Female Weatherpak (IHC) plug



COMPRESSOR

All with OEM Part No.	7H15HD, 12V, PV8 Groove, 119MM, 2 Wire, MDA Head	4734, 22-47692-000	RD-5-10262-0P	75R84162
All with OEM Part No.	7H15, MJA head, ear mount, 2 groove, 5 1/4"(132mm) diameter	4471, 22-47691-000	RD-5-10263-0P	75R84172
All with OEM Part No.	7H15, MJA head, ear mount, 2 groove, 5 1/4"(132mm) diameter	4735, 22-47691-000	RD-5-10263-0P	75R84172
All with OEM Part No.	7H15, JDA head, ear mt, 2 groove, 5 1/4"(132mm) diameter	4488, 22-47690-000	RD-5-10264-0P	75R84182
All with OEM Part No.	7H15, JDA head, ear mt, 2 groove, 5 1/4"(132mm) diameter	4736, 22-47690-000	RD-5-10264-0P	75R84182
All with OEM Part No.	7H15, JD head, direct mt, 2 groove, 5 1/4"(132mm) diameter	4491, 22-47694-000	RD-5-10265-0P	75R84192
All with OEM Part No.	7H15, JD head, direct mt, 2 groove, 5 1/4"(132mm) diameter	4752, 22-47694-000	RD-5-10265-0P	75R84192
All with OEM Part No.	7H15, CBA head, direct mt, poly 6, 4.9"(125mm) diameter	4475, 22-47693-000	RD-5-10266-0P	75R84212
All with OEM Part No.	7H15, CBA head, direct mt, poly 6, 4.9"(125mm) diameter	4756, 22-47693-000	RD-5-10266-0P	75R84212
All with OEM Part No.	7H15, MDA head, direct mt, poly 8 groove, 4.7"(119mm) diameter	4776, ABP N83 304113	RD-5-10267-0P	75R84232
All with OEM Part No.	7H15HD, MD head, ear mount, 2 groove, 5 1/4"(132mm) diameter	4617, ABP N83 304303	RD-5-10291-0P	75R84532
All with OEM Part No.	7H15HD, 12V, PV6 Groove, 125MM, 1 Wire, CBA Head, Direct Mount	4687, 22-44462-000	RD-5-10303-0P	75R84152
All with OEM Part No.	7H15, KCA head, direct Mount, 2 groove, 5 1/4" (132mm) diameter	4428, ABP N83 304503	RD-5-10737-0P	75R84632
All with OEM Part No.	7H15, GH head, ear mount, 2 groove, 5 1/4"(132mm) diameter	4821, ABP N83 304803	RD-5-11243-0P	75R81212
All with OEM Part No.	7H15, GH head, ear mount, 2 groove, 5 1/4"(132mm) diameter	4429, ABP N83 304803	RD-5-11243-0P	75R81212
All with OEM Part No.	7H15, MD head, ear mount, poly 8 groove 4.7"(119mm) diameter	7822, ABP N83 304803	RD-5-11243-0P	75R81212
All with OEM Part No.	7H15, GH head, direct mount, poly 6 4.9"(125mm) diameter	4430, ABP N38 304813	RD-5-11244-0P	75R81232
All with OEM Part No.	7H15, MJA head, ear mount, poly 8 groove, 4.7"(119mm) diameter	4431, 22-47692-000	RD-5-11247-0P	75R81262
All with OEM Part No.	7H15, GH head, direct mount, poly 8 groove, 4.7"(119mm) diameter	4417, ABP N83 304783	RD-5-11251-0P	75R81302
All with OEM Part No.	7H15, GH head, direct mt, poly 6, 4.7"(119mm) diameter	4485, ABP N83 304903	RD-5-11251-0P	75R81302
M2	COMPRESSOR - 12V SD7H15 GH 119MM PV8 DIR	SKI 4818	RD-5-11251-0P	75R81302
All with OEM Part No.	7H15, MDA head, direct mt, poly 6, 4.9"(125mm) diameter	4492, 22-48437-000	RD-5-11254-0P	75R81352
All with OEM Part No.	7H15, MDA head, direct mt, poly 6, 4.9"(125mm) diameter	4761, 22-48437-000	RD-5-11254-0P	75R81352
All with OEM Part No.	7H15, GV head, ear mount, poly 8 groove 4.7"(119mm) diameter	22-59342-000	RD-5-11258-0P	75R81382
All with OEM Part No.	7H15, MJA head, ear mount, 2 groove, 5 1/4"(132mm) diameter	4646, 22-41180-000	RD-5-11315-0P	75R81462
All with OEM Part No.	7H15, 12V, PV8 Groove, 119MM, 1 Wire, MDA Head	4672, 22-43374-000	RD-5-11328-0P	75R81512
All with OEM Part No.	7H15, KG head, ear mount, 2A groove, 4.9"(125mm) diameter	4709, 22-59343-000	RD-5-11331-0P	75R81552
All with OEM Part No.	7H15, GH head, ear mount, poly 8 groove 4.7"(119mm) diameter	4820, ABP N83 304913	RD-5-11340-0P	75R81612
All with OEM Part No.	with 8 groove 119mm, direct mt, PK head	SK4314	RD-5-15572-1P	RD-5-15572-1P
All with OEM Part No.	12V, PV8 Groove, 4 3/4", 2 Wire. Fits Cummins 8.3 Liter	SKI43145	RD-5-15572-1P	75R89852Q
All with OEM Part No.	QP15HD, 12V, 1A Groove Overhang, 125MM, 1 Wire, F Head, R-12	488-25063, ABP N83 304029	RD-5-5875-1P	75R8502Q
All with OEM Part No.	QP15HD, 12V, 2A Groove, 135MM, 1 Wire, F Head, R-12	488-25011, ABP N83 304019	RD-5-5876-1P	75R8512Q

COMPRESSOR CONTINUED ON NEXT PAGE

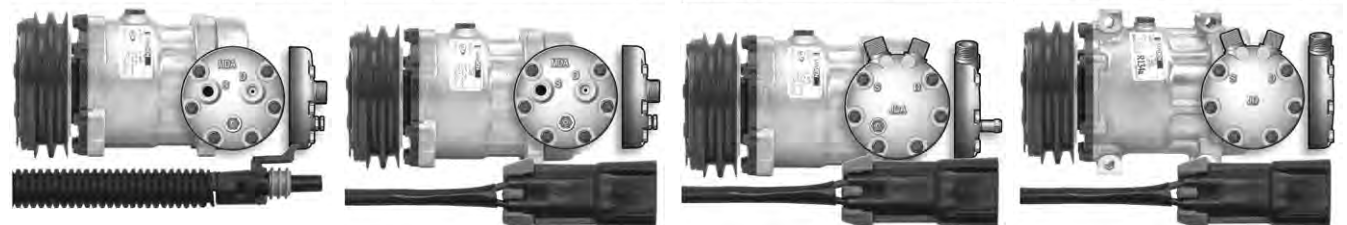
YEAR	MODEL	DESCRIPTION	OEM PART #	FACTORY #	RedDOT #
------	-------	-------------	------------	-----------	----------

FREIGHTLINER

COMPRESSOR

	All with OEM Part No.	7H15, JD head, ear mt, 2 groove, 5 1/4"(132mm) diameter	4644, ABP N83 304363	RD-5-7088-0P	75R8382
	All with OEM Part No.	QP15HD, 12V, 2A Groove, 135MM, 1 Wire, D Head	488-45011, ABP N83 304025	RD-5-7145-1P	75R8612Q
	All with OEM Part No.	QP15HD, 12V, 1 VAR Groove, 159MM, 1 Wire, D Head	488-45065, ABP N83 304015	RD-5-7164-1P	75R8632Q
	All with OEM Part No.	7H15HD, 12V, 2A Groove, 132MM, 2 Wire, JDA Head, Direct Mount	4626, ABP N83 304095	RD-5-7522-0P	75R8432
	All with OEM Part No.	Rotolock, LH Suction, #8 Discharge, #10 Suction, NO CLUTCH	ER210L-25149	RD-5-8637-0P	75R7280
	All with OEM Part No.	Tube-0, LH Suction, 1"-14 Discharge, 1"-14 Suction, NO CLUTCH	ET210L-25150	RD-5-8638-0P	75R7290
	All with OEM Part No.	QP15HD, 12V, 1A Groove Overhang, 125MM, 1 Wire, D Head	488-45063, ABP N83 304039	RD-5-8944-1P	75R8532Q
	All with OEM Part No.	QP15HD, 12V, 2A Groove, 135MM, 1 Wire, D Head	488-45077, ABP N83 304059	RD-5-9609-10P	75R8552Q
	All with OEM Part No.	FLX replacement, 2 groove, 5 1/4"(132mm) diameter	9285	RD-5-11012-0P with RD-5-10881-0P adapter	75R89292 with 75R89310 adapter
1999-00	All with OEM Part No.	Tube-0, LH Suction, 1"-14 Discharge, 1"-14 Suction, 12V, 2A Groove, 6", 2 Wire	ET210L-25246C	RD-5-11219-0P	75R7332
2000-04	All with OEM Part No.	709, GH head, direct mt, poly 6, 4.9"(125mm) diameter	4819, ABP N83 304813	RD-5-11244-0P	75R81232
2000-11	All with OEM Part No.	709, GH head, direct mt, poly 8, 4.7"(119mm) diameter	4818, ABP N83 304903	RD-5-11251-0P	75R81302
2001-03	All with OEM Part No.	Slimline head with flange fitting without charge ports with ester oil	ES210L-25334C	RD-5-10029-0P	75R7300
2010-17	M2	8 groove, 140mm clutch, 12v, 2 wire, 10S15C	22-65770-000, 10S15C	RD-5-14644-0P	75R9072
2011-14	All with OEM Part No.	Nippondenso PV8 159mm dia direct mount	10S15C, 22-65771-000	RD-5-14645-0P	75R9082

75R81462	RD-5-11315-0P	75R84172	RD-5-10263-0P	75R84182	RD-5-10264-0P	75R84192	RD-5-10265-0P	
Model: 5D7H15	Head: MDA	Voltage: 12	Model: 7H15HD	Head: MDA	Voltage: 12	Model: 7H15HD	Head: JD	Voltage: 12
Mount: Ear	Sanden: 4646		Mount: Ear	Sanden: 4471, 4735		Mount: Direct	Sanden: 4488, 4736	
Clutch: 5 1/4" (132mm) A2 Groove	R-134a	Clutch: 5 1/4" (132mm) A2 Groove	R-134a	Clutch: 5 1/4" (132mm) A2 Groove	R-134a	Clutch: 5 1/4" (132mm) A2 Groove	R-134a	



75R84212	RD-5-10266-0P	75R84232	RD-5-10267-0P	75R84532	RD-5-10291-0P	75R84152	RD-5-10303-0P	
Model: 7H15HD	Head: CBA	Voltage: 12	Model: 7H15HD	Head: MDA	Voltage: 12	Model: 7H15HD	Head: CBA	Voltage: 12
Mount: Direct	Sanden: 4475, 4756		Mount: Direct	Sanden: 4776		Mount: Direct	Sanden: 4687	
Clutch: 4.9" (125mm) Poly 6	R-134a	Clutch: 4.7" (119mm) Poly 8	R-134a	Clutch: 5 1/4" (132mm) A2 Groove - Sealed	R134a	Clutch: 4.9" (125mm) Poly 6	R-134a	



75R84632	RD-5-10737-0P	75R81212	RD-5-11243-0P	75R81232	RD-5-11244-0P	75R81262	RD-5-11247-0P	
Model: 7H15HD	Head: KCA	Voltage: 12	Model: 7H15	Head: GH	Voltage: 12	Model: 7H15HD	Head: MDA	Voltage: 12
Mount: Direct	Sanden: 4306, 4428		Mount: Ear	Sanden: 4429, 4472		Mount: Ear	Sanden: 4431, 4477	
Clutch: 5 1/4" (132mm) A2 Groove	R134a	Clutch: 5 1/4" (132mm) A2 Groove	R134a	Clutch: 4.9" (125mm) Poly 6	R134a	Clutch: 4.7" (119mm) Poly 8	R134a	



COMPRESSORS CONTINUED ON NEXT PAGE

YEAR	MODEL	DESCRIPTION	OEM PART #	FACTORY #	RedDOT #
------	-------	-------------	------------	-----------	----------

FREIGHTLINER

COMPRESSOR

75R81302 RD-5-11251-0P
Model: 7H15 **Head:** GH **Voltage:** 12
Mount: Direct **Sanden:** 4417, 4485
Clutch: 4.7" (119mm) Poly 8 **R134a**



75R81512 RD-5-11328-0P
Model: 7H15 **Head:** MDA **Voltage:** 12
Mount: Ear **Sanden:** 4672
Clutch: 4.7" (119mm) Poly 8 **R134a**



75R8512Q RD-5-5876-1P
Model: QP-15HD **Head:** F **Voltage:** 12V
Mount: Ear **ICE:** 2521121 **Seltec:** 488-25011
Clutch: 5 1/4" (135mm) 2 Groove **R-12**



75R8432 RD-5-7522-0P
Model: 7H15HD **Head:** JDA **Voltage:** 12
Mount: Direct **Sanden:** 4626, 4695
Clutch: 5 1/4" (132mm) A2 Groove **R134a**



75R8552Q RD-5-9609-10P
Model: QP-15HD **Head:** D **Voltage:** 12V
Mount: Ear **ICE:** 2521301 **Seltec:** 488-45077
Clutch: 5 1/4" (135mm) 2 Groove **R134a**



75R81352 RD-5-11254-0P
Model: 7H15HD **Head:** MDA **Voltage:** 12
Mount: Direct **Sanden:** 4492, 4761
Clutch: 4.9" (125mm) Poly 6 **R134a**



75R81552 RD-5-11331-0P
Model: 7H15 **Head:** KG **Voltage:** 12
Mount: Ear **Sanden:** 4709
Clutch: 4.9" (125mm) A2 Groove **R134a**



75R8382 RD-5-7088-0P
Model: 7H15 **Head:** JD **Voltage:** 12
Mount: Ear **Sanden:** 4509, 4510, 6664
Clutch: 5 1/4" (132mm) A2 Groove **R134a**



75R7280 RD-5-8637-0P
 Fitting: 1" - 14
 Universal, Standard Duty with
 Super Screws, Felt Ring, PRV
 and Ester Oil
 Supplied without clutch
 No connector supplied



75R7332 RD-5-11219-0P
 Fitting: 1" - 14
 OE Replacement, Standard Duty
 Clutch: 6 1/8", Poly 8, .014"
 Gauge Line: 1 1/8"
 Connector: 2 wire Metripak



75R81382 RD-5-11258-0P
Model: 7H15HD **Head:** GV **Voltage:** 12
Mount: Ear **Sanden:** 4453, 4495
Clutch: 4.7" (119mm) Poly 8 **R134a**



75R81612 RD-5-11340-0P
Model: 7H15 **Head:** GH **Voltage:** 12
Mount: Ear **Sanden:** 4820
Clutch: 4.7" (119mm) Poly 8 **R134a**



75R8612Q RD-5-7145-1P
Model: QP-15HD **Head:** D **Voltage:** 12V
Mount: Ear **ICE:** 2521152 **Seltec:** 488-45011
Clutch: 5 1/4" (135mm) 2 Groove **R134a**



75R7290 RD-5-8638-0P
 Fitting: 1" - 14
 Universal, Standard Duty with
 Super Screws, Felt Ring, PRV
 and Ester Oil
 Supplied without clutch
 No connector supplied



75R9072 RD-5-14644-0P
Model: 10S15C
Clutch: 140mm PV8 Clutch
Voltage: 12



75R81462 RD-5-11315-0P
Model: SD7H15 **Head:** MDA **Voltage:** 12
Mount: Ear **Sanden:** 4646
Clutch: 5 1/4" (132mm) A2 Groove **R-134a**



75R8502Q RD-5-5875-1P
Model: QP-15HD **Head:** F **Voltage:** 12V
Mount: Ear **ICE:** 2521129 **Seltec:** 488-25063
Clutch: 5" (125mm) 1 Groove overhang **R-12**



75R8632Q RD-5-7164-1P
Model: QP-15HD **Head:** D **Voltage:** 12V
Mount: Ear **ICE:** 2521167 **Seltec:** 488-45065
Clutch: 6 1/4" (159mm) Variable 1 Groove **R134a**



75R8532Q RD-5-8944-1P
Model: QP-15HD **Head:** D **Voltage:** 12V
Mount: Ear **ICE:** 2521166 **Seltec:** 488-45063
Clutch: 5" (125mm) 1 Groove overhang **R134a**



75R9082 RD-5-14645-0P
Model: 10S15C
Clutch: 164mm PV8 Clutch
Voltage: 12



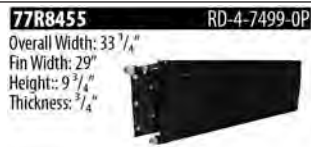
FREIGHTLINER

COMPRESSORS CONTINUED ON NEXT PAGE

ON-ROAD APPLICATIONS

FREIGHTLINER

YEAR	MODEL	DESCRIPTION	OEM PART #	FACTORY #	RedDOT #
FREIGHTLINER					
CONDENSER					
1992-97	FLA, FLD	Condenser	A22-32466-001	RD-4-7532-0P	77R8405
1992-99	Classic XL, FLD112, FLD120	Condenser	22-32302-001	RD-4-7498-0P	77R8457
1994-00	FL50, FL60, FL70, FL112	Condenser	A22-24885-001	RD-4-7499-0P	77R8455
1994-03	FL50, FL60, FL70	Condenser	ABP N83 306280, 680-830-03-70, BOA 19836S, BSM 306280	RD-4-7535-0P	77R8415
2000-05	Century C112, Century C120, Columbia, Coronado	Multi Flow with slim line fittings	1E 6068, BHT 92710, BHT 73002	RD-4-6527-0P	77R6978
2001-05	FLD112, FLD120, FLD132	Condenser	22-43941-000	RD-4-7500-0P	77R8460
2001-05	FL, FLA, FLD	Condenser	A22-43941-000	RD-4-7533-0P	77R8410
2002-06	Sprinter	Condenser	901-500-05-54, 5104114AA	RD-4-7531-0P	77R8400
2002-10	M2	Condenser	BHT P5631001, BHT E2108	RD-4-7386-0P	77R8355
2004-10	FLD, Classic XL, Coronado	Radiator mt., tube & fin style with slim line fittings	1E6854, BHT79465	RD-4-6527-0P	77R6978
2006-09	Columbia, Coronado	Radiator Mount	A22-67125-000, A22-66824-000, A22-66839-000, A22-72249-000	RD-4-7131-0P	77R1277
2008-09	Century Class, Columbia, Classic, Coronado, FLD	All w/detroit Series 60, MBE4000 Engines (main)	22-62271-000	RD-4-7131-0P	77R1277
2008-09	Century Class, Columbia, Classic, Coronado, FLD	All w/detroit Series 60, MBE4000 Engines (main)	22-62271-000	RD-4-7131-0P	77R1277
2008-11	Cascadia	Multi Flow with slim line fittings 44 1/2" X 22"	A22-72249-000, A22-66839-000, A22-66824-000, A22-72459-000	RD-4-7131-0P	77R1277
2008-15	Cascadia	Radiator Mount (Dual block fitting)	A22-67126-000, A22-66825-000, A22-66840-000, A22-72250-000	RD-4-7306-0P	77R1279
2008-16	M2	Condenser	A22-62390-000, A22-66842-000	RD-4-7529-0P	77R8395
2010-11	Cascadia	Condenser	A22-67126-001, A22-72250-001	RD-4-7552-0P	77R8490
2011-13	B2, C2, S2	Condenser	VAB1210416, 7-9102	RD-4-7541-0P	77R8435
2011-15	Coronado	Radiator Mount (Dual block fitting)	A22-67126-000, A22-66825-000, A22-66840-000, A22-72250-000	RD-4-7306-0P	77r1279
All	WFC, WFT	Radiator Mount	RDH RD4 3724 0	RD-4-3724-0P	77R0650



YEAR	MODEL	DESCRIPTION	OEM PART #	FACTORY #	RedDOT #
------	-------	-------------	------------	-----------	----------

FREIGHTLINER

EVAPORATOR

1990-99	FLD120	Evaporator	ABP N83 307040	RD-2-1660-0P	76R6120
1994-04	FLD112, FLD120	Evaporator	RDH RD2 1402 0, NA1040	RD-2-1402-0P	76R6150
2002-10	M2	Evaporator 8 3/16" high x 8" long x 2 3/8" wide	VCC50000031	RD-2-7284-0P	76R7735

76R6120 RD-2-1660-0P
8" high x 5 5/8" long x 2 7/8" wide



76R6150 RD-2-1402-0P
8" high x 8" long x 3 13/32" wide



76R7735 RD-2-7284-0P
8 3/16" high x 8" long x 2 3/8" wide



EXPANSION VALVE

1980-99	FLD112, FLD120	Block, #6, #10, #8, #8	A22-18591-000	RD-5-6868-1P	71R8301
1989-96	WFC, WFT, FLC	Block, #6 #10 #8 #10, with Mounting Holes	A22-45432-000, ABP N83 308071	RD-5-7015-1P	71R8321
1991-00	FLD112, FLD120, Classic XL, Coronado	Block, #6 #12 #8 #8, with Mounting Holes	BOA-80-321-00-129	RD-5-7567-0P	71R8370
1994-00	FL50, FL60, FL70, FL80, FL106, FL112, FLL	Block, #6 #12 #8 #8, with Mounting Holes	A06-44004-002	RD-5-10179-0P	71R8469
1994-03	FL50, FL60, FL70, FL80, FL106, FL112, FLB, FLL	Block, #6 #10 #8 #10, with Mounting Holes	A22-45432-000, ABP N83 308071	RD-5-7015-1P	71R8321
1996-00	Century C112, Century C120	Main unit	A22-45432-000	RD-5-7567-0P	71R8370
1996-01	Century C112, Century C120	Block, #6 #10 #8 #10, with Mounting Holes	BOA-80-821-00-129	RD-5-7015-1P	71R8321
1997-02	All with OEM Part No.	Block, #6 #10 #8 #10, with Mounting Holes	A22-45432-000, ABP N83 308211	RD-5-7015-1P	71R8321
1998-01	All with OEM Part No.	Main unit	A22-45432-000, BOA 80-321-00-129	RD-5-7567-0P	71R8370
1998-05	Century C112, Century C120	with main system bleed type	329-474	RD-5-10334-0P	71R8350
2000-02	FL50, FL60, FL70, FL80, FL106, FL112	Main unit, Hi - capacity	A22-45432-001, ABP N83 308070	RD-5-10546-0P	71R8385
2000-06	Century C112, Century C120, Columbia, Coronado	Main unit, (Slim line seal), gold color	ABP N83 308231	RD-5-10903-0P	71R8451
2000-08	Century C112, Century C120, Century S/T, Columbia, Coronado	Auxiliary Unit (Mini Stat O Seal), gold color	BOA-80-321-00-269	RD-5-12520-0P	71R8453
2001-07	Century C112, Century C120, Columbia, Coronado	Main unit, (Stat Seal), Behr valve	BOA 4965	RD-5-12521-0P	71R8455
2001-07	FLD112, FLD120, Classic XL, Coronado	Main unit, (Stat Seal), Behr valve	BOA A4965	RD-5-12521-0P	71R8455
2002-07	Century C112, Century C120, Columbia, Coronado	Auxiliary Unit, (Stat Seal), Behr valve, burgundy color	BOA 93674	RD-5-12522-0P	71R8457
2002-08	M2	Block #6 #10 #8 #10 Stat o Seal	VCC88000030	RD-5-10903-0P	71R8451
2002-10	Century C112, Century C120, Columbia	Main unit	BOAN9535001	RD-5-15295-0P	71R8477
2002-10	Century C112, Century C120, Columbia	Main unit	BOAN9535001	RD-5-15295-0P	71R8477
2002-10	Century C112, Century C120, Columbia	Main unit	BOAN9535001	RD-5-15295-0P	71R8477
2003-07	M2	Main unit (Mini Stat O Seal)	VCC 88000030	RD-5-12520-0P	71R8453
2003-07	Century, Columbia, Coronado	Main Unit, Stat Seal Type	ABP N83 308107, BOA 4961, 4965	RD-5-12521-0P	71R8455
2003-10	Coronado, FLD	Block, #6 #12 #8 #8, with Mounting Holes	BOA-80-321-00-129	RD-5-7567-0P	71R8370

EXPANSION VALVES CONTINUED ON NEXT PAGE

ON-ROAD APPLICATIONS

FREIGHTLINER

YEAR	MODEL	DESCRIPTION	OEM PART #	FACTORY #	RedDOT #
------	-------	-------------	------------	-----------	----------

FREIGHTLINER

EXPANSION VALVES

2008-11	Cascadia	All	VCCT1000898P	RD-5-9513-0P	71R8380
2008-13	Century C112, Century C120, Century S/T, Columbia	Block, #8, #8, #10, #12 (Stat Seal)	BOAN8119001	RD-5-16214-0P	71R8485
2008-17	M2	Block type	VCCT1001838L	RD-5-15296-0P	71R8475
9/00-6/02	Century, Columbia, Coronado	Auxilliary Unit	BOA-80-321-00-269	RD-5-10903-0P	71R8451

71R8301 RD-5-6868-0P

Inlet: #6 (3/8") Female O-Ring
 Outlet: #10 (3/4") Female O-Ring
 Evaporator Fittings
 In: #8 (1/2") Female O-Ring
 Out: #8 (1/2") Female O-Ring
 Superheat Rating: 5°F
 Pressure Limit: 80 psig @40°F



71R8321 RD-5-7015-0P

High Capacity (2 Ton)
 Inlet: #6 (3/8") Female "O" Ring
 Outlet: #10 (3/4") Female O-Ring
 Evaporator Fittings
 In: #8 (1/2") Female O-Ring
 Out: #10 (3/4") Female O-Ring
 Superheat Rating: 8°F
 Pressure Limit: 53.5 psig @75°F



71R8350 RD-5-10334-0P

2 Ton
 Inlet: #6 (3/8") Female O-Ring
 Outlet: #10 (3/4") Female O-Ring
 Evaporator Fittings
 In: #8 (1/2") Female O-Ring
 Out: #10 (3/4") Female O-Ring
 Superheat Rating: 5°F
 Pressure Limit: 50 psig @75°F



71R8370 RD-5-7567-0P

Inlet: #6 (3/8") Female O-Ring
 Outlet: #10 (3/4") Female O-Ring
 Evaporator Fittings
 In: #8 (1/2") Female O-Ring
 Out: #10 (3/4") Female O-Ring
 Superheat Rating: 5°F
 Pressure Limit: 80 psig @40°F



71R8380 RD-5-9513-0P

Anti-trumpeting (2 Ton)
 Inlet: #6 (3/8") Female O-Ring
 Outlet: #10 (3/4") Female O-Ring
 Evaporator Fittings
 In: #8 (1/2") Female O-Ring
 Out: #10 (3/4") Female O-Ring
 Superheat Rating: 8°F
 Pressure Limit: 53.5 psig @75°F



71R8385 RD-5-10546-0P

Anti-trumpeting (2 Ton)
 Inlet: #6 (3/8") Female O-Ring
 Outlet: #10 (3/4") Female O-Ring
 Evaporator Fittings
 In: #8 (1/2") Female O-Ring
 Out: #10 (3/4") Female O-Ring
 Superheat Rating: 5°F
 Pressure Limit: 53.5 psig @75°F



71R8451 RD-5-10903-0P

Inlet: #6 (3/8") Stat-O-Seal
 Outlet: #10 (3/4") Stat-O-Seal
 Evaporator Fittings
 In: #8 (1/2") Stat-O-Seal
 Out: #10 (3/4") Stat-O-Seal
 Replaces: OE# APB N83 308231
 Superheat Rating: 8.5°F
 Pressure Limit: 53 psig @90°F



71R8453 RD-5-12520-0P

Inlet: #6 (3/8") Stat-O-Seal
 Outlet: #10 (3/4") Stat-O-Seal
 Evaporator Fittings
 In: #8 (1/2") Stat-O-Seal
 Out: #10 (3/4") Stat-O-Seal
 Replaces: OE# BOA 80-321-00-269
 Superheat Rating: 12°F
 Pressure Limit: 50 psig @85°F



71R8455 RD-5-12521-0P

(2 Ton)
 Inlet: #6 (3/8") Stat-O-Seal
 Outlet: #12 (3/4") Stat-O-Seal
 Evaporator Fittings
 In: #8 (1/2") Stat-O-Seal
 Out: #10 (3/4") Stat-O-Seal
 Replaces: Main Unit Freightliner Egelh #A4965



71R8457 RD-5-12522-0P

Inlet: #6 (3/8") Stat-O-Seal
 Outlet: #10 (3/4") Stat-O-Seal
 Evaporator Fittings
 In: #8 (1/2") Stat-O-Seal
 Out: #10 (3/4") Stat-O-Seal
 Replaces: Freightliner Century Class A BOA A93674
 Color: Burgundy



71R8469 RD-5-10179-0P

Inlet: #6 (3/8") Female O-Ring
 Outlet: #12 (3/4") Female O-Ring
 Evaporator Fittings
 In: #8 (1/2") Female O-Ring
 Out: #10 (3/4") Female O-Ring
 Superheat Rating: 5°F
 Pressure Limit: 80 psig @53.5°F



71R8475 RD-5-15296-0P

Inlet: #8 (1/2") Stat-O-Seal
 Outlet: #12 (3/4") Stat-O-Seal
 Evaporator Fittings
 In: #8 (1/2") Stat-O-Seal
 Out: #12 (3/4") Stat-O-Seal



71R8477 RD-5-15295-0P

Inlet: #6 (3/8") Stat-O-Seal
 Outlet: #12 (3/4") Stat-O-Seal
 Evaporator Fittings
 In: #8 (1/2") Stat-O-Seal
 Out: #10 (3/4") Stat-O-Seal



YEAR	MODEL	DESCRIPTION	OEM PART #	FACTORY #	RedDOT #
------	-------	-------------	------------	-----------	----------

FREIGHTLINER

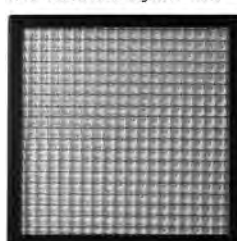
FILTER

1997-06	C, Century C112, Century C120, F	Main unit, 10 1/2"x10 1/2"x3/4" filter	22-44665-000	RD-5-11224-0P	78R5239
2002-07	C, Century C112, Century C120, Columbia, Coronado	Main unit, 10 5/8"x10 5/8"x1" pleated filter	BOA 91559, FR0202P	RD-5-11841-1P	78R5237M
2003-10	All with OEM Part No.	Sleeper unit	A22-46891-000	RD-5-11836-0P	78R5430
2003-11	Columbia, Coronado, Cascadia	Main unit, 10 5/8"x10 5/8"x1" pleated filter	BOA 91621	RD-5-11841-1P	78R5237M
2003-15	M2	8 1/4"x8 1/2"x1" filter	VCC36000006	RD-5-11836-0P	78R5430
2003-15	M2	8 1/4"x8 1/2"x1" filter	VCC36000006	RD-5-11836-0P	78R5430

78R5237M RD-5-11841-1P
10 5/8" Wide x 10 5/8" High x 1" Thick



78R5239 RD-5-11224-0P
10 1/2" Wide x 10 1/2" High x 3/4" Thick



78R5430 RD-5-11836-0P
8 1/4" x 8 1/2" x 1" Thick



O-RING / SEALS

All with OEM Part No.	#10 Slimline seal, metal washer (black), 3/4" O.D., 9/16" I.D.	ABP N83 312092	RD-5-10198-0M	70R5026
All with OEM Part No.	#8 Slimline seal, metal washer (black), 11/16" O.D., 5/16" I.D.	ABP N83 312060	RD-5-10199-0M	70R5024
All with OEM Part No.	#6 Slimline seal, metal washer (black), 9/16" O.D., 5/16" I.D.	ABP N83 312076	RD-5-10200-0M	70R5022
All with OEM Part No.	#6 Mini Stat -O - Seal, metal washer with red rubber insert, 5/8" O.D., 5/16" I.D.	23-13201-000	RD-5-11527-0M	70R5031
All with OEM Part No.	#8 Mini Stat -O - Seal, metal washer with red rubber insert, 3/4" O.D., 7/16" I.D.	23-13202-000	RD-5-11528-0M	70R5032
All with OEM Part No.	#10 Mini Stat -O - Seal, Red, 15/16" O.D., 9/16" I.D.	ABP N83 312361	RD-5-11529-0M	70R5033
All with OEM Part No.	#12 Mini Stat -O - Seal, Red, 1" O.D., 11/16" I.D.	PH720565	RD-5-11530-0M	70R5034
All with OEM Part No.	#12 Mini Stat -O - Seal, Red, 1" O.D., 11/16" I.D.	ABP N83 312372	RD-5-11530-0M	70R5034

70R5022 RD-5-10200-0M
#6 Slimline Seal 9/16" O.D., 5/16" I.D.
Metal Washer (Black)
10 pieces



70R5024 RD-5-10199-0M
#8 Slimline Seal 11/16" O.D., 5/16" I.D.
Metal Washer (Black)
10 pieces



70R5026 RD-5-10198-0M
#10 Slimline Seal 3/4" O.D., 9/16" I.D.
Metal Washer (Black)
10 pieces



70R5031 RD-5-11527-0M
#6 Mini Stat-O-Seal 5/8" O.D., 5/16" I.D.
(8mm Slimline block sealing washer)
Metal Washer with Rubber Insert (Red)
10 pieces



70R5032 RD-5-11528-0M
#8 Mini Stat-O-Seal
3/4" O.D., 7/16" I.D.
Metal Washer with
Rubber Insert (Red)
10 pieces



70R5033 RD-5-11530-0M
#10 Mini Stat-O-Seal
15/16" O.D., 9/16" I.D.
Metal Washer with
Rubber Insert (Red)
10 pieces



Fits 71R8455 expansion valve Hose side out

70R5034 RD-5-11530-0M
#12 Mini Stat-O-Seal
1" O.D., 11/16" I.D.
Metal Washer with
Rubber Insert (Red)
10 pieces



Fits 71R8455 expansion valve Evaporator side out

YEAR	MODEL	DESCRIPTION	OEM PART #	FACTORY #	RedDOT #
------	-------	-------------	------------	-----------	----------

FREIGHTLINER

PRESSURE SWITCH

1974-03	FL50, FL60, FL70, M2	Switch, Pressure, Trinary, NO	RDH RD5 4585 0	RD-5-4585-0P	71R7500
1994-03	C, F	Switch, Pressure, Low, NO	085108-00	RD-4191-0P	71R6050
1994-03	C, Century, Classic, Coronado, FL, W	Dual Function switch, M10 x 1.25 Low: open 455 psi, closed 30psi. High: open 28psi, closed 370	22-43249	RD-5-11169-0P	71R7077
1994-03	FL50, FL60, FL70, FL80, FL106, FL112	All with Fujikoki binary sw with M10 threads, 4 term.	A22-43249-000	RD-5-11169-0P	71R7077
1994-03	FL50, FL60, FL70, M2	Switch, Pressure, Trinary, NO	A06-18015-000	RD-5-4583-0P	71R7500
1994-03	FL50, FL60, FL70, M2	Switch, Pressure, High, NO	BOA-80-941-00-063	RD-5-6394-0P	71R6080
1994-03	FL50, FL60, FL70, FL80, FL106, FL112	High pressure switch, normally open	A22-30930-000	RD-5-8288-0P	71R6220
1997-04	Century C112, Century C120	Switch, Pressure, APADS, High, NC	8040279P, 8040135	RD-5-9990-0P	71R6400
1997-04	Century C112, Century C120	Switch, Pressure, APADS, Low, NC	3966805, 8040136, 8040152, 8040161P	RD-5-9991-0P	71R6405
1997-07	Century C112, Century C120	High Pressure Fan switch with M10 threads	A22-45194-001	RD-5-8287-0P	71R6210
2000-11	M2, FL50, FL60, FL70	Switch, Pressure	A22-512296-000	RD-5-15318-0P	71R6267
2009-11	Century C112, Century C120	Switch, Pressure, High	06-35209-000, BOA91619	RD-5-13234-0P	71R6155


71R6050 RD-4191-0P

3/8"-24-UNF-2A male threads O-Ring Normally open - closes at 27 PSIG



71R6080 RD-5-6394-0P

Type: High Side Fitting / Connector: 1/4" female flare / two-conductor Metripak Normally Open - Closes at 215 PSI - Opens at 170 PSI




71R6155 RD-5-13234-0P

High Pressure 4 Terminal Green M10 Threads



71R6210 RD-5-8287-0P

Type: High Side - Gray Fitting / Connector: M10 x 1.25 female / two-conductor male Weatherpak Normally Closed - Closes at 250 PSI - Opens at 300 PSI



71R6220 RD-5-8288-0P

Type: High Side Fitting / Connector: 1/4" female flare / two-conductor male Weatherpak Normally Open - Closes at 260 PSI - Opens at 174 PSI



71R6267 RD-5-15318-0P

	OPEN	CLOSED
LOW	40	28
HIGH	351	455

10mm Female Normally Closed



71R6400 RD-5-9990-0P



71R6405 RD-5-9991-0P



71R7077 RD-5-11169-0P

	OPEN	CLOSED
LOW	455	30
HIGH	28	370

Thread: M10 x 1.25 Freightliner OE#22-43249



71R7500 RD-5-4585-0P

3/8" - 24 UNF-2A Male thread with bulkhead seal, 2-012 O-Ring Shutter/fan switch is normally open



71R7550 RD-5-4583-0P

3/8" - 20 UNF-2B Female thread for male Schrader Shutter/fan switch is normally open




YEAR	MODEL	DESCRIPTION	OEM PART #	FACTORY #	RedDOT #
------	-------	-------------	------------	-----------	----------

FREIGHTLINER

RECEIVER DRIER

1994-01	FLD112, FLD120, Classic XL	2 3/4"x10", #6MOR in, #6MOR out, PRV, Top Glass, Side Port with Low Pressure Switch	A22-14425-003	RD-4160-1P	74R2106
1994-01	FL50, FL60, FL70, FL80, FL106, FL112	Male O-Ring with fuse plug, side port, top glass	A22-14425-002	RD-5-4950-1P	74R0907
1995-00	All with OEM Part No.	All model series with Red Dot A/C, OE# RD-5-11196-0	ABP N83 319735	RD-5-11196-0P	74R3331
1996-01	Century C112, Century C120	Male & Female O-Ring with HPRV, MI, 2 M10 switch ports	ABP N83 319615	RD-5-11188-0P	74R3328
1996-01	Century C112, Century C120	Slim-line Stato Seal with side mounting	088502-00	RD-5-11522-0P	74R3129
1996-03	Century C112, Century C120, Columbia	Male O-Ring with fuse plug, side port, top glass	A22-14425-001	RD-5-4950-1P	74R0907
1999-06	FLD, Classic XL, Coronado	3" dia 10" high with quick siconnect	088336-00	RD-5-11189-0P	74R3323
2000-03	Century C112, Century C120	Quick Disconnect, side mt. fittings	ABP N83 319524, 319510	RD-5-11190-0P	74R3317
2000-03	Century, Columbia, Coronado	Quick disconnect	ABP N83 319665	RD-5-11190-0P	74R3317
2000-04	Century, Columbia	Slim-line Stato Seal with side mounting	PH088538-00	RD-5-11522-0P	74R3129
2000-07	Century S/T	Slim-line Stato Seal with side mounting	PH088446-00	RD-5-11522-0P	74R3129
2002-11	Century, Columbia	Slim-Line seal top mt with opposing #6 male O-Ring	PH088518-00	RD-5-10589-1P	74R3126
2006-08	M2	Slim-line seal with top mounting	PH088539-00	RD-5-10589-1P	74R3126
2008-10	Century, Columbia, M2	4" dia 7" long PAD mount fittings	A22-63992-000, A22-63992-001, A22-72392-000	RD-5-13216-1P	74R4215
2010-12	Cascadia	4" dia 7" long PAD mount fittings	A22-66700-000, A22-69800-000	RD-5-14648-0P	74R4028
2011-17	M2	Receiver Drier	A22-66600-000, A22-69799-000	RD-5-15689-1P	74R4218

74R0907 RD-5-4950-1P
2 1/2" diameter x 8" long
#6 Male O-Ring
Fuse
Side Port



74R2106 RD-4160-1P
Includes Low Pressure Switch
2 3/4" diameter x 10" long
#6 Male O-Ring
High Capacity
Low Pressure /
Pressure Relief
Side Port



74R3126 RD-5-10589-1P
3" diameter x 10 1/4" long
#6 Slimline Seal
High Capacity
Pressure Relief
2 M10 Ports



74R3129 RD-5-11522-0P
3" diameter x 10 1/2" long
Pad Mount,
#6 Slimline connector
Two Schraders
Fuse
Side Port, M-10



74R3317 RD-5-11190-0P
3" diameter x 10" long
Quick Disconnect
High Capacity
Pressure Relief
Two 1/4" Schrader Valves



74R3323 RD-5-11189-0P
3" diameter x 10" long --
Quick Disconnect
Two Top Metric
Ports
Top Port



74R3328 RD-5-11188-0P
3" diameter x 10" long
#6 Male O-Ring Inlet
#6 Female O-Ring Outlet,
2 Schrader 10 X 1.25 mm ports
High Capacity



74R3331 RD-5-11196-0P
3" diameter x 10" long
#6 Male O-Ring Inlet
#6 Female O-Ring Out
High Capacity
Pressure Relief
Two Top Metric Ports



74R4028 RD-5-14648-0P



74R4215 RD-5-13216-1P
4" diameter x 7" long
In/Out - #8 Stat Seals



74R4218 RD-5-15688-1P



ON-ROAD APPLICATIONS

FREIGHTLINER

YEAR	MODEL	DESCRIPTION	OEM PART #	FACTORY #	RedDOT #
------	-------	-------------	------------	-----------	----------

FREIGHTLINER

RELAY

1974-00	All with OEM Part No.	Relay, Blower, 12V, 20/30A, Tab Mount, 5 Terminals	A22-011101-022	RD-5-4408-0P	71R1702
1974-00	All with OEM Part No.	Relay, Compressor, 12V, 20/30A, Tab Mount, 5 Terminals	ABP N83 320140	RD-5-4408-0P	71R1702
1974-00	All with OEM Part No.	Relay, Blower, 12V, 30/40A, Socket Mount	APB N83 320140	RD-5-9915-0P	71R1722
1974-00	All with OEM Part No.	Relay, Compressor, 12V, 30/40A, Socket Mount	POTVF415F11	RD-5-9915-0P	71R1722

71R1702 RD-5-4408-0P

12V Relay, 30/20 amps, SPDT, 5 terminals Bosch type



71R1722 RD-5-9915-0P

12V Relay with Diode, 40/30 amps, SPST, 5 terminals



RESISTOR

1988-96	FLP, FLT, WCF, WFT	Blower Resistor, 4 speed, 4 terminal	BOA-80-926-00-079, RDH RD5 6450 0	RD-5-6450-0P	71R1455
1990-06	All with OEM Part No.	Resistor, Blower Speed, Bakelite Back, 3 Terminal, 3 Speed	RDH RD5 3647 0, ABP N83 321060	RD-5-3647-0P	71R1450
1990-10	Classic, FLD	Blower Resistor, 4 speed, 4 terminal	BOA-80-926-00-079, RDH RD5 6450 0	RD-5-6450-0P	71R1455
1996-11	C, Century C112, Century C120, Columbia	Blower resistor, 4 speed, 4 terminal	BOA-80-926-00-079, ABP N83 321350	RD-5-6450-0P	71R1455
1997-11	Century C112, Century C120	Blower Resistor	RDH RD5 6450 0	RD-5-6450-0P	71R1455
2000-01	Century C112, Century C120	Blower Resistor, Sleeper Unit, 3 terminal, 3 speed	ABP N83 321300	RD-5-10341-0P	71R1457

71R1450 RD-5-3647-0P

3 Terminals (3/4" blade) / 3 Speeds
Bakelite base: 2 1/4" x 1 1/2" x .10" thick - Height: 1"



71R1455 RD-5-6450-0P

4 Terminals (3/4" blade) / 4 Speeds
Bakelite base: 3 1/4" x 1 3/8" x .10" thick - Height: 1 3/8"



71R1457 RD-5-10341-0P

3 Terminals (3/4" blade) / 3 Speeds
Bakelite base: 3" x 1 1/4" x .10" thick - Height: 1 1/4"



SWITCH


	All with OEM Part No.	Toggle switch with nickel plated toggle	RDH RD5 3827 2	RD-5-3827-2P	72R0220
	All with OEM Part No.	Toggle switch with 90 degree air fitting, 1/4" in, 1/8" out	RDH RD5 4721 0	RD-5-4721-0P	72R0610
1972-00	All with OEM Part No.	Valve, Solenoid, 12V, #6 MOR	207583, LA1225	RD-4188-0P	71R9002
1990-06	All with OEM Part No.	Thermistor, CTC, 12V, Blower Speed Control	RDH RD6 4797 0, ABP N83 322925	RD-6-4797-0P	71R3502
1991-10	FLD120, FLD112, Classic XL	Switch, Rotary, 3 Speed, Long Shaft, 5 Terminal	A06-14889-001	RD-5-3646-0P	71R1150
1993-00	FL50, FL60, FL70, FL80, FL106, FL112	Switch, Micro, 2 Terminal, with Arm	BOA-80-908-00-219	RD-5-8490-0P	71R1610
1993-00	FLB, FLL, FLD112, FLD120, FL50, FL60, FL70, FL80, FL106, FL112, Classic XL	Switch, Rotary, 3 Speed, Short Shaft, 5 Terminal	BOA-80-926-00-059	RD-5-9833-0P	71R1160
1994-01	FL50, FL60, FL70, FL80, FL106, FL112	Toggle switch, DP3T, 4 position, 4 terminal	BOA-80-926-00-059	RD-5-3779-0P	71R1165
1994-01	FL50, FL60, FL70, FL80, FL106, FL112	Toggle switch, DP3T, 4 position, 4 terminal	BOA-80-926-00-059	RD-5-3779-0P	71R1165
1999-01	FLD112, FLD120, Classic XL	Switch, Rotary, 3 Speed, Long Shaft, 5 Terminal	BOA-80-926-00-109	RD-5-3646-0P	71R1150
All	All with OEM Part No.	Switch, Toggle, SPDT, ON-OFF-ON, 3 Terminal	A06-11454-001	RD-4123-1P	71R0100
All	All with OEM Part No.	Toggle switch, SPST, 2 terminal	ABP N83 322030	RD-5-3748-0P	71R0010
All	All with OEM Part No.	Rotary switch, 3 speed, DP3T, 4 position, 5 terminal	INM2G754A	RD-5-5194-0P	71R1210

SWITCHES CONTINUED ON NEXT PAGE

YEAR	MODEL	DESCRIPTION	OEM PART #	FACTORY #	RedDOT #
------	-------	-------------	------------	-----------	----------

FREIGHTLINER

SWITCH

71R0010 RD-5-3748-0P  SPST Type Chrome Toggle Function: ON - OFF 2 Terminals	71R0100 RD-4123-1P  SPDT Type Black Toggle Function: ON - OFF - ON 3 Terminals	71R1150 RD-5-3646-0P  3 speed, Long Shaft DP3T 4-position 5 terminals 25 amps Mounting hole: .442" x .385" - "D" hole	71R1160 RD-5-9833-0P  3 speed, Short Shaft DP3T 4-position 5 terminals 25 amps Mounting hole: .442" x .385" - "D" hole
71R1165 RD-5-3779-0P  3 speed (low, medium, high) DP3T, 4-position, 5 terminals 15 amps Mounting hole: .442" x .385" - "D" hole	71R1210 RD-5-5194-0P  3 Speed with Resistor - DP3T, 4-position, 5 terminals 18 amps Uses Knob 71R4050 Mounting hole: .500"	71R1610 RD-5-8490-0P  8 amp, 12 volt, SPDT, 2 terminals Normally Open, Base: 1 1/4" x 3/8" x 3/8"	71R3502 RD-6-4797-0P  12 Volt, 30k ohm Thermistor blower speed control switch
71R9002 RD-4188-0P  #6 Male O-Ring Fitting 12 volt	72R0220 RD-5-3827-2P  Nickel plated toggle	72R0610 RD-5-4721-0P  Black Toggle with Quick Connect fitting 1/4" In and 1/8" Out	

THERMOSTAT

1989-04	C, Century, Classic, Coronado, FL	Adjustable, Cable Controlled, 30" Capillary	02-7010174	RD-4226-0P	71R2700
1990-10	C, Century, Century S/T	Main & Sleeper unit with fixed setting thermostat	BOA-80-946-00-109	RD-5-6429-0P	71R3150
1994-01	FL50, FL60, FL70, FL80, FL106, FL112, FLB, FLL	Main unit with fixed setting thermostat	BOA-80-946-00-079	RD-5-6429-0P	71R3150
1998-10	C, Century C112, Century C120, Columbia	Main unit with fixed setting thermostat	A630-008-00, BOA-80-946-00-079	RD-5-6429-0P	71R3150

71R2700 RD-4226-0P  Pull for cold Variable temp. Mounting hole spacing 2 13/16" Capillary Length: 30" Type: Variable Temp. Range: 34°-54°F Clutch Cycle Range: 5°F	71R3150 RD-5-6429-0P  Capillary Length: 16" Type: Fixed Temp. Range: 28°-35°F Clutch Cycle Range: 7°F
--	--

WATER VALVE

1991-00	FLB, FLD112, FLD120, FLL, Classic XL	Cable Operated (Bergstrom), mounts to core	MA1365	RD-5-11319-0P	72R6533
1991-10	FLD112, FLD120	Cable operated, Red Dot, Main unit	A22-44553-000, MVA1-6296	RD-5-8943-0P	72R6515
1992-01	FL50, FL60, FL70, FL80, FL106, FL112, FLB, FLL, MB70	Valve, Heater, Cable Controlled, 5/8" Hose, Offset, Pull to Close	KYS 173144, MA1425	RD-5-10344-0P	72R6520
1996-03	Century C112, Century C120, Columbia	Cable operated, Red Dot	A22-44463-001, A22-44553-000, MVA1-6296	RD-5-8943-0P	72R6515

72R6515 RD-5-8943-0P  Pull to Open Cable Controller for FLC120 Century Class 1997	72R6520 RD-5-10344-0P  5/8" Hose to 1/2" Hose	72R6533 RD-5-11319-0P  5/8" Hose to Core Mount - Pull to Open
---	---	--

YEAR	MODEL	DESCRIPTION	OEM PART #	FACTORY #	RedDOT #
------	-------	-------------	------------	-----------	----------

IHC - NAVISTAR

ACCUMULATOR

2001-07	4200, 4300, 4400, 7300, 7400, 7500, 7600, 8500, 8600	Aluminum, Pad Fittings with Studs, with Mounting Bracket	3542577-C2	RD-5-12623-0P	74R5097
2007-10	4,000,700,080,009,000	With OE number 3666273C1	3666273-C1	RD-5-14650-0P	74R5401
2008-10	9000, 9000i, ix, Eagle	with Pad Mount Accumulator with OE#	3666273C1	RD-5-14650-0P	74R5401
2012-14	TerraStar	Aluminum, Pad Fittings with Studs	3839360C92, 3843558C92, 6102500C91	RD-5-15287-0P	74R5088
2012-14	TERRASTAR with PAD MOUNT ACCUMULATOR	Accumulator	3843558C92, 6102500C91	RD-5-15697-0P	74R5090
After 10/10/2001	7300	Aluminum, Pad Fittings with Studs, with Mounting Bracket	3542577-2	RD-5-12623-0P	74R5097
All	3200	Aluminum, Pad with Stud x #6 Tube Insert	3670134C1	RD-5-14045-0P	74R5405

74R5088	RD-5-15287-0P	74R5090	RD-5-15697-0P	74R5097	RD-5-12623-0P	74R5401	RD-5-14650-0P
----------------	---------------	----------------	---------------	----------------	---------------	----------------	---------------



3 1/2" diameter x 9 1/4" long
 Inlet: Pad Mount 1"-14 UNF
 Outlet: Pad Mount 1"-14 UNF
 Switch Port: M12 x 1.5
 Bracket Mount:
 2)M8 x 1.25 female thread
 Adjustable studs



Navistar Maxx Force
 3666273-C1



74R5405 RD-5-14045-0P

Navistar Prostar
 3670134-C1
 P6546001



ACTUATOR

	4000, 4070, 4070A, 4070B, 4100, 4200, 4300, 4300, 4400, 4500, 4600, 4700, 4800, 4900, 4954, 5000, 5000i, 5360, 5500, 5500i, 5600i, 5870, 5900i, 6300, 7000, 7100, 7300, 7400, 7500, 7600, 7700, 8000	2 Terminal, Actuator with Label #L6402515A	3542606C1	RD-5-14607-0P	71R3580
2001-11	5000, 5000i, 5360, 5500, 5500i, 5600i, 5870, 5900i, 9000, 9000i, 9100, 9100i, 9200, 9200i, 9300, 9370, 9400, 9400i, 9600, 9670, 9671, 9700, 9800, 9900, 9900i	Actuator	3685800C1	RD-5-15505-0P	71R3591
2001-11	5000, 5000i, 5360, 5500, 5500i, 5600i, 5870, 5900i, 9000, 9000i, 9100, 9100i, 9200, 9200i, 9300, 9370, 9400, 9400i, 9600, 9670, 9671, 9700, 9800, 9900, 9900i	Actuator	3524465C1	RD-5-15541-0P	71R8489
All	All with OEM Part No.	Actuator	3542606C1, 2611234C1	RD-5-14607-0P	71R3580
All	All with OEM Part No.	Actuator	3599602C1	RD-5-14608-0P	71R3581
All	All with OEM Part No.	Actuator	2503207C1	RD-5-14609-0P	71R3582

ACTUATORS CONTINUED ON NEXT PAGE

YEAR	MODEL	DESCRIPTION	OEM PART #	FACTORY #	RedDOT #
------	-------	-------------	------------	-----------	----------

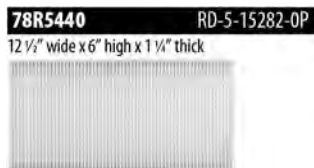
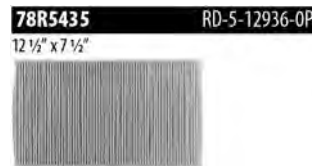
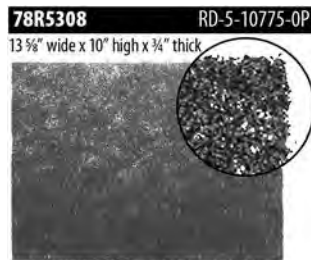
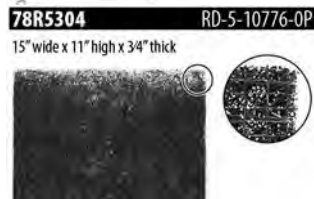
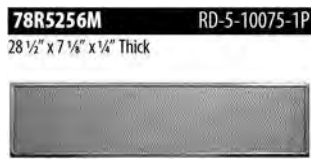
IHC - NAVISTAR

ACTUATOR

71R3580 Moto Mode Control - 2 Terminal 4000/8000 Series	RD-5-14607-0P	71R3581 Actuator - 12V 5-pin	RD-5-14608-0P	71R3582 Actuator - 12V 4-pin	RD-5-14609-0P	71R3591 RD-5-15505-0P
						
71R8489	RD-5-15541-0P					
						

AIR FILTER

All with OEM Part No.	Mesh filter 28 1/2" x 7 1/8" x 5/16"	ZGG720006	RD-5-10075-1P	78R5256M	
All with OEM Part No.	Mesh filter 9" x 9" x 5/8"	ZGG720002	RD-5-10077-1P	78R5236M	
All with OEM Part No.	Mesh filter 22 1/2" x 10 1/4" x 1/4"	ZGG720005	RD-5-10081-1P	78R5257M	
All with OEM Part No.	Mesh filter 30" x 10 3/8" x 3/8"	ZGG720008	RD-5-10082-1P	78R5255M	
1980-00	4070A, 4070B	A/C and heater filter, in cab, 15" x 11" x 3/4"	480836-C1	RD-5-10776-0P	78R5304
1995-10	All with OEM Part No.	All Series with OE # 1699956-C1	1699956-C1	RD-5-10775-0P	78R5308
2000-10	All with OEM Part No.	Air Filter	2506656C1	RD-5-12936-0P	78R5435
2000-10	All with OEM Part No.	Air Filter	3839141C1	RD-5-15282-0P	78R5440
All	4000, 7000, 8000	A/C and heater filter, in cab, 13 1/2" x 13" x 3/4"	498144-C1, ZGG14265, ZGG720007	RD-5-10773-1P	78R5306M



ON-ROAD APPLICATIONS

IHC - NAVISTAR

YEAR	MODEL	DESCRIPTION	OEM PART #	FACTORY #	RedDOT #
------	-------	-------------	------------	-----------	----------

IHC - NAVISTAR

BLOWER MOTOR

	All with OEM Part No.	OE style blower motor (only), 3 3/4" length, non-vented	411876C91, 442987C1	RD-5-10391-0P	73R0092
	All with OEM Part No.	12V, CCW, 1 Speed, Single 5/16" Shaft, with Mounting Studs	1691717C91	RD-5-6526-1P	73R0402
	All with OEM Part No.	12V, 1 Speed, Double 5/16" Shaft, WO/Mounting Studs	1691704C91, 1691733C91	RD-5-6801-0P	73R4182
	All with OEM Part No.	Double Shaft motor, 1 speed, 4 3/4" length	1691705C91	RD-5-8032-0P	73R4122
1988-01	2000	All with flange style motor (heavy duty)	2500485C1	RD-5-4937-0P	73R2102
1988-01	2000	Flange Mount, 1 speed, 4 3/4" length, CW, No Wire	1699291C1	RD-5-4937-0P	73R2102
2000-10	5000i, 9100i, 9200i, 9400i, 9900i	Main unit	1699949C1	RD-5-14073-0P	73R0572
2000-11	5000, 5000i	with flange type motor and OE#	1699949C1	RD-5-14073-0P	73R0572
2007-13	ProStar, LoneStar	Blower Motor Assembly	2602570C92, 3839363C91, 3599581C2	RD-5-15574-0P	73R3162
2009-11	4000, 5000, 5000i, 8000, ProStar	All models Fan with wheel and OE#	3674285C1	RD-5-14612-0P	73R3112
After 10/1/01	7300	Single Shaft, Flange Mount	3542611C2	RD-5-13068-0P	73R3132

73R0092 RD-5-10391-0P



Single Speed
12 Volt
Rotates Either Direction
Stud Mounted, Span 2 5/8"
Dimensions: 3 3/4" x 2 7/8" x 3"
Shaft: 1/4" diameter, Length: 1 1/2"
Non Vented
Connector: Two conductor, 14 gauge
Supplied with 5/8" adapter

73R0402 RD-5-6526-1P



Single Speed
12 Volt
Rotates CCW
Permanent Magnet Motor
Stud Mounted, Span 2 5/8"
Dimensions: 5" x 4" x 3"
Shaft: 5/16" diameter, Length: 1 5/8"
Vented
Connector: Two conductor Packard #2984528, 2971859

73R0572 RD-5-14073-0P




Single Speed
12 Volt
Rotates CW
Permanent Magnet Motor
Plate Mount: 7"
Dimensions: 4 1/4" x 4" x 3"
Shaft: 3/8" diameter, Length: 1.1"
Vented
Connector: Two conductor Packard male blade

73R2102 RD-5-4937-0P



Single Single Speed
12 Volt
Rotates CW
Permanent Magnet Motor
Plate Mounted
Dimensions: 4 3/4" x 4 1/8" x 3 1/8"
Shaft: 5/16" diameter, Length: 1 1/8"
Vented Includes wire assembly
Connector: Male spade OE#IHC274243, ZGG16249

73R3112 RD-5-14612-0P



Single Speed
12 Volt
Rotates CounterCW
Permanent Magnet Motor
Flange Mount
Dimensions: 7 1/2" diameter
Shaft: 5/8" diameter, Length: 1 1/2"

73R3132 RD-5-13068-0P



Single Speed
12 Volt
Rotates CW
Flange Mount

73R3162 RD-5-15574-0P



Single Speed
12 Volt
Rotates Clockwise
Flange Mount
Dimensions: 6 5/8" x 7 1/4"

73R4122 RD-5-8032-0P



Single Speed
12 Volt
Permanent Magnet Motor
Stud Mounted, Span 2 5/8"
Dimensions: 4 3/4" x 4" x 3"
Shafts: 5/16" diameter, length: 3 3/8"
Vented - RFI
Connector: Two conductor Packard #8900420, 1/4" blade terminal

73R4182 RD-5-6801-0P



Single Speed
12 Volt
Permanent Magnet Motor
Strap / Stud Mounted, Span 2 5/8"
Dimensions: 4 3/8" x 4" x 3"
Shafts: 5/16" diameter, length: 2 5/8"
Vented
Connector: 3/4" spade receptacle

CLUTCH ASSEMBLY

	All with OEM Part No.	12V, PV6 Groove, 5 3/4", 2 Wire	ZGG704000	RD-5-10363-0P	75R0502
	4900	12V, PV6 Groove, 5 3/4", 1 Wire	1687780C92, 1687780C92	RD-5-10364-0P	75R0512
	All with OEM Part No.	12V, PV8 Groove, 6 1/8", 2 Wire	ZGG19310	RD-5-10365-0P	75R0682
	All with OEM Part No.	12V, PV8 Groove, 6 1/8", 2 Wire	ZGG19310, ZGG19841	RD-5-10365-0P	75R0682
	All with OEM Part No.	12V, PV6 Groove, 5 7/8", 2 Wire	ZGG19323, ZGG704000	RD-5-10366-0P	75R0522
	All with OEM Part No.	1 groove 1/2" width, 6 1/4" diameter pulley, 2 11/16" gaugeline, IHC plug	2016403C1, 2016403C2, ZGG19845	RD-5-10397-0P	75R1342
	All with OEM Part No.	Poly 8 groove, 5 1/8" diameter (130mm), metripak plug	4700-9931, 4885-9931	RD-5-11374-0P	75R4802
	9100	12V, 1A Groove, 6", 1 Wire	481800-C91, ZGG19311	RD-5-4966-0P	75R0302
	All with OEM Part No.	12V, 1A Groove, 6", 1 Wire	14190, 481800C91, ZGG19311, ZGG12141	RD-5-4966-0P	75R0302
	All with OEM Part No.	2 groove 1/2" width, 6" diameter pulley, 1 5/8" gaugeline, bullet plug	024-21590, 1647566C91, 165338C91, ZGG12135	RD-5-4967-0P	75R0452
	All with OEM Part No.	12V, 2A Groove, 6", 1 Wire	165129C91, 1647566C91, ZGG11566	RD-5-4972-1P	75R1202

CLUTCH ASSEMBLY CONTINUED ON NEXT PAGE

YEAR	MODEL	DESCRIPTION	OEM PART #	FACTORY #	RedDOT #
------	-------	-------------	------------	-----------	----------

IHC - NAVISTAR

CLUTCH ASSEMBLY

All with OEM Part No.	12V, 2A Groove, 7", 1 Wire	1687801C91, ZGG12136	RD-5-4994-0P	75R4502
All with OEM Part No.	12V, 2A Groove, 132MM, 1 Wire	576625C91, ZGG11207, 8517-6014	RD-5-5486-0P	75R0202
All with OEM Part No.	12V, 1A Groove-Overhang, 125MM, 1 Wire	1691736C1, ZGG16355	RD-5-6646-0P	75R0182
All with OEM Part No.	12V, PV6 Groove, 6 1/8", 1 Wire	1687780C91, ZGG18414	RD-5-8009-0P	75R0612
All with OEM Part No.	2 groove 1/2" width, 7" diameter pulley, 2" gaugeline, bullet plug, 24V	1140568C91	RD-5-8382-0P	75R4534
All with OEM Part No.	1 groove 1/2" width, 6" diameter pulley, 2 3/4" gaugeline, IHC plug	1653480C91, 1653480-92, ZGG14191	RD-5-9665-0P	75R0402
4700	12V, PV8 Groove, 5 3/8", 1 Wire	1818128C1, 1818128C2	RD-5-9802-0P	75R0662

75R0182 RD-5-8382-0P

Model: Seltec/TAMA - CH
Diameter: 4.9" / 125mm
Groove: 1
Width: 1/2"
12 Volts
B Dimension: 2 7/16" / 62 mm



Single wire coil
Male bullet plug

75R0202 RD-5-5486-0P

Model SD5 (508, 510, 5H14)
Diameter: 5 1/4" / 132mm
Groove: 2
Width: 1/2"
12 Volts
B Distance: 1 9/16" / 40mm



Single wire coil
Bare wire

75R0302 RD-5-4966-0P

Diameter: 6"
Groove: 1
Width: 1/2"
12 Volts
B Dimension: 2 3/4"



Single wire coil w diode
Weatherpak plug

75R0402 RD-5-9665-0P

Diameter: 6"
Groove: 1
Width: 1/2"
12 Volts
B Dimension: 2 3/4"



Single wire coil
Female Weatherpak (IHC) plug

75R0452 RD-5-4967-0P

Diameter: 6"
Groove: 2
Width: 1/2"
12 Volts
B Dimension: 1 5/8"



Single wire coil
Male bullet plug

75R0502 RD-5-10363-0P

Diameter: 5 3/4"
Groove: Poly 6
Width: .14"
12 Volts
B Dimension: 2"



Double wire coil w diode
Metripak plug

75R0512 RD-5-10364-0P

Diameter: 5 3/4"
Groove: Poly 6
Width: .14"
12 Volts
B Dimension: 2"



Single wire coil w diode
Weatherpak plug

75R0522 RD-5-10366-0P

Diameter: 5 7/8"
Groove: Poly 6
Width: .14"
12 Volts
B Dimension: 1 5/8"



Double wire coil w diode,
Metripak plug

75R0612 RD-5-8009-0P

Diameter: 6 1/8"
Groove: Poly 6
Width: .14"
12 Volts
B Dimension: -



Single wire coil w diode
Female Weatherpak (IHC) plug

75R0662 RD-5-9802-0P

Diameter: 5 1/8"
Groove: Poly 8
Width: .14"
12 Volts
B Dimension: 1 5/8"



Single wire coil with diode
Female Weatherpak (IHC) plug

75R0682 RD-5-10365-0P

Diameter: 6 1/8"
Groove: Poly 8
Width: .14"
12 Volts
B Dimension: 1 15/16"



Double wire coil w diode
Metripak plug

75R1202 RD-5-4972-1P

OE #501939, MAE-6AR
Diameter: 6"
Groove: 2
Width: 1/2"
12 Volts
B Dimension: 1 5/8"



Single wire coil with diode
Weatherpak plug

75R1342 RD-5-10397-0P

Diameter: 6 1/4"
Groove: 1
Width: 3/8"
12 Volts
B Dimension: 2 11/16"



Single wire coil
Female Weatherpak (IHC) plug

75R4502 RD-5-4994-0P

Diameter: 7"
Groove: 2
Width: 1/2"
12 Volts
B Dimension: 2"



Single wire coil
Male bullet plug

75R4534 RD-5-8382-0P

Diameter: 7"
Groove: 2
Width: 1/2"
24 Volts
B Dimension: 2"



Single wire coil
Male bullet plug

75R4802 RD-5-11374-0P

Model 709 / 7H15
Diameter: 5 1/8" / 130mm
Groove: Poly 8
Width: .14"
12 Volts
B Distance: -



Double wire coil w diode
Metripak plug

YEAR	MODEL	DESCRIPTION	OEM PART #	FACTORY #	RedDOT #
IHC - NAVISTAR					
COMPRESSOR					
	All with OEM Part No.	IHC Models with Detroit Series 60 engine, Sanden #4822	3551405C1	RD-5-10738-0P	75R84622
	All with OEM Part No.	7H15HD, JDA head, direct mt, poly 8, 4.7" (119mm) diameter		RD-5-10738-0P	75R84622
	All with OEM Part No.	QP16HD, GWA fittings, ear mount, Poly 8 groove, 4 3/4" (123mm) 12v	3547916C1	RD-5-11250-1P	75R81292Q
	9800	7H15HD, MDA head, direct mt, poly 6, 4.9" (125mm) diameter	3541235C91, ZGG705017	RD-5-11254-0P	75R81352
	All with OEM Part No.	7H15HD, 12V, PV8 Groove, 119MM, 1 Wire, JDA Head	2003413C91, ZGG705130	RD-5-11313-0P	75R81452
	All with OEM Part No.	IHC Models with Cummins 8.3L engine, Sanden #4647	2032287C91	RD-5-11316-1P	75R81472Q
	All with OEM Part No.	7H15HD, 12V, PV8 Groove, 119MM, 2 Wire, KC Head, Direct Mount	3579878C1	RD-5-11326-0P	75R81502
	All with OEM Part No.	7H15HD GWA head, direct mt., poly 6 groove, (125mm) diameter	3541235-C91, 3547916C1	RD-5-13235-0P	75R84302Q
	All with OEM Part No.	QP15HD. 12V PV 6, 125mm, direct mount GWA head	3541235C91, 4815	RD-5-13235-0P	75R84302Q
	ProStar, DuraStar	Sanden 4418, direct mount, poly 8, 119mm clutch	3582435C1	RD-5-14689-0P	75R89752
	All with OEM Part No.	Sanden 4720, direct mount, poly 8, 119mm clutch	3808548C1	RD-5-14696-0P	75R89762
	All with OEM Part No.	GM A6, 1 groove 1/2" width, 4 7/8" diameter (124mm), generic	509170C91	RD-5-5000-0P	75R8102
	All with OEM Part No.	QP15HD, 12V, 2A Groove, 135MM, 1 Wire, F Head, R-12	488-25011	RD-5-5876-1P	75R8512Q
	All with OEM Part No.	7H15HD, JD head, direct mt, 2 groove, 5 1/4" (132mm) diameter	2032287C91	RD-5-7088-0P	75R8382
	All with OEM Part No.	QP15HD, 12V, 2A Groove, 135MM, 1 Wire, D Head	488-45011	RD-5-7145-1P	75R8612Q
	All with OEM Part No.	QP15HD, 12V, 1 VAR Groove, 159MM, 1 Wire, D Head	488-45065	RD-5-7164-1P	75R8632Q
	All with OEM Part No.	Rotolock, LH Suction, #8 Discharge, #10 Suction, NO CLUTCH	417888C92, ER, R210L- 21237, 25062, 25149, 1676831C91, 1676832C91, 2502460C91	RD-5-8637-0P	75R7280
	All with OEM Part No.	Rotolock, LH Suction, #8 Discharge, #10 Suction, NO CLUTCH	417888C91	RD-5-8637-0P	75R7280
	All with OEM Part No.	Rotolock, LH Suction, #8 Discharge, #10 Suction, NO CLUTCH	417888C91, ER, R210L- 21237, 25062,	RD-5-8637-0P	75R7280
	All with OEM Part No.	Tube-0, LH Suction, 1"-14 Discharge, 1"-14 Suction, NO CLUTCH	ET210L-25061, 21160, 25150C, ZGG19254, 1676832C91, 1676832C92, 1685127C91, 2000820C91, 2003413C91, 2502459C91, 2502460C91, 417888C91, 468323C91, 417887C93 .	RD-5-8638-0P	75R7290
	All with OEM Part No.	Tube-0, LH Suction, 1"-14 Discharge, 1"-14 Suction, NO CLUTCH	1610046C91	RD-5-8638-0P	75R7290
	All with OEM Part No.	Tube-0, LH Suction, 1"-14 Discharge, 1"-14 Suction, NO CLUTCH	ET210L-25061, 21160, 25150-C, ZGG19254, 1676832C91, 1676832C92, 1685127C91, 2000820C91, 2003413C91, 2502459C91, 2502460C91, 417888C91, 468323C91, 417887C93 .	RD-5-8638-0P	75R7290
	All with OEM Part No.	Tube-0, LH Suction, 1"-14 Discharge, 1"-14 Suction, NO CLUTCH	99244-5, ET210L-25061, 21160, 25150C	RD-5-8638-0P	75R7290
	All with OEM Part No.	QP15HD, 12V, 1A Groove Overhang, 125MM, 1 Wire, D Head	488-45063	RD-5-8944-1P	75R8532Q
	All with OEM Part No.	QP15HD, 12V, 2A Groove, 135MM, 1 Wire, D Head	488-45077	RD-5-9609-10P	75R8552Q
	All with OEM Part No.	FLX replacement, 2 groove, 5 1/4"(132mm) diameter	9285	RD-5-11012-0P with RD-5-10881-0P adapter	75R89292 with 75R89310 adapter

YEAR	MODEL	DESCRIPTION	OEM PART #	FACTORY #	RedDOT #
------	-------	-------------	------------	-----------	----------

IHC - NAVISTAR COMPRESSOR

75R7280 RD-5-8637-0P
Fitting: 1" - 14
Universal, Standard Duty with Super Screws, Felt Ring, PRV and Ester Oil
Supplied without clutch
No connector supplied




75R7290 RD-5-8638-0P
Fitting: 1" - 14
Universal, Standard Duty with Super Screws, Felt Ring, PRV and Ester Oil
Supplied without clutch
No connector supplied




75R8102 RD-5-5000-0P
GMC A6R, Generic Superheat switch port
5" Single Groove Clutch 12 volt
Pulley with 1/2" - 3/4" variable groove R-12 / R134a
Standard thread mounting holes Clockwise rotation
No Oil




75R81292Q RD-5-11250-1P
Model: QP7H15 Head: H Voltage: 12V
Mount: Ear Sander: 4618
Clutch: 4 3/4" (123mm) Poly 7




75R81352 RD-5-11254-0P
Model: 7H15HD Head: MDA Voltage: 12
Mount: Direct Sanden: 4492, 4761
Clutch: 4.9" (125mm) Poly 6 R134a




75R81452 RD-5-11313-0P
Model: 7H15HD Head: JDA Voltage: 12
Mount: Ear Sanden: 4645
Clutch: 4.7" (119mm) Poly 7 R134a



75R81472Q RD-5-11316-1P
Model: QP-7H15 Head: JDA Voltage: 12V
Mount: Ear
Clutch: 5" (125mm) 2 Groove R134a




75R81502 RD-5-11326-0P
Model: 7H15 Head: KC Voltage: 12
Mount: Direct Sanden: 4667
Clutch: 4.7" (119mm) Poly 8 R134a




75R8382 RD-5-7088-0P
Model: 7H15 Head: JD Voltage: 12
Mount: Ear Sanden: 4509, 4510, 6664
Clutch: 5 1/4" (132mm) A2 Groove R134a



75R84302Q RD-5-13235-0P
Model: QP-7H15 Head: GWA Voltage: 12V
Mount: Direct Sanden: 4815
Clutch: 4.9" (125mm) Poly 6 R134a



75R84622 RD-5-10738-0P
Model: 7H15 Head: JDA Voltage: 12
Mount: Direct Sanden: 4822
Clutch: 4.7" (119mm) Poly 8 R134a



75R8512Q RD-5-5876-1P
Model: QP-15HD Head: F Voltage: 12V
Mount: Ear ICE: 2521121 Seltec: 488-25011
Clutch: 5 3/4" (135mm) 2 Groove R-12



75R8532Q RD-5-8944-1P
Model: QP-15HD Head: D Voltage: 12V
Mount: Ear ICE: 2521166 Seltec: 488-45063
Clutch: 5" (125mm) 1 Groove overhang R134a




75R8552Q RD-5-9609-10P
Model: QP-15HD Head: D Voltage: 12V
Mount: Ear ICE: 2521301 Seltec: 488-45077
Clutch: 5 1/4" (135mm) 2 Groove R134a




75R8612Q RD-5-7145-1P
Model: QP-15HD Head: D Voltage: 12V
Mount: Ear ICE: 2521152 Seltec: 488-45011
Clutch: 5 1/4" (135mm) 2 Groove R134a




75R8632Q RD-5-7164-1P
Model: QP-15HD Head: D Voltage: 12V
Mount: Ear ICE: 2521167 Seltec: 488-45065
Clutch: 6 1/4" (159mm) Variable 1 Groove R134a



75R89752 RD-5-14689-0P
Model: 7H15HD Head: Voltage: 12v
Mount: Direct Sanden: 4418
Clutch: 7" (180mm) Poly 8 R-134a



75R89762 RD-5-14696-0P
Model: 7H15HD Head: Voltage: 12v
Mount: Direct Sanden: 4720
Clutch: 4.7" (119mm) Poly 8 R-134a


















IHC - NAVISTAR

YEAR	MODEL	DESCRIPTION	OEM PART #	FACTORY #	RedDOT #
IHC - NAVISTAR					
CONDENSER					
1982-91	9600, 9700	Condenser	586908C92	RD-4-7502-0P	77R8475
1989-93	7100, 8100	Condenser	1667340C5	RD-4-7496-0P	77R8465
1992-02	2000, 7000, 8000, 9000, 9200	Radiator Mount, IHC and Red Dot unit, #R-10035-1, -2, -3, -4	2004801C1, 2004801C2, 2004801C3, 2004801C4	RD-4-4713-0P	77R7000
1993-00	All with OEM Part No.	4600-4900 (7.3L engine)	2000655C2	RD-4-7283-0P	77R0715
1993-96	2500, 2600, 8200, 8300	Condenser	1072720, 1675462C1, 1675462C2	RD-4-7501-0P	77R8470
1993-99	4600, 4700, 4900	Condenser	1667340C5	RD-4-7496-0P	
1999-02	9000, 9000i, 9100, 9100i, 9200, 9200i, 9300, 9370, 9400, 9400i, 9600, 9670, 9671, 9700, 9800, 9900, 9900i	Condenser	3504377C1	RD-4-7371-0P	77R8309
2001-06	5000, 5000i, 5360, 5500, 5500i, 5600i, 5870, 5900i	23 5/8" X 20 1/8" X 5/8"	2585373C2	RD-4-7279-0P	77R0115
2001-07	7000, 7100, 7300, 7400, 7500, 7600, 7700, 8000, 8100, 8200, 8300, 8500, 8600, 8600i, 9000, 9000i, 9100, 9100i, 9200, 9200i, 9300, 9370, 9400, 9400i, 9600, 9670, 9671, 9700, 9800, 9900, 9900i	Two connections	2507482C92	RD-4-7278-0P	77R0095
2001-07	8000, 8100, 8200, 8300, 8500, 8600, 8600i	All with OE#	2586812C91, 1E5633, 2505650C92, 3548907F93	RD-4-7280-0P	77R0355
2001-07	8000, 8100, 8200, 8300, 8500, 8600, 8600i, 9000, 9000i, 9100, 9100i, 9200, 9200i, 9300, 9370, 9400, 9400i, 9600, 9670, 9671, 9700, 9800, 9900, 9900i	Block connection	2508698C92	RD-4-7281-0P	77R0635
2007-10	ProStar	32 3/4" X 15 3/4" X 5/8"	2601445C91	RD-4-7277-0P	77R7705
2007-10	ProStar	Condenser	2591836C91, 2591621C91	RD-4-7361-0P	77R8350
2008-11	4000, 8000	with 20" X 23-1/2" X 5/8" Pad Fittings with OE#	2593329C91, 1E5956	RD-4-7282-0P	77R0675
2010-11	ProStar	ProStar with OE#	2593329C91	RD-4-7282-0P	77R0675
2014-16	PayStar, 9000	Condenser	2604851C92	RD-4-7473-0P	77R8375

YEAR	MODEL	DESCRIPTION	OEM PART #	FACTORY #	RedDOT #
------	-------	-------------	------------	-----------	----------

IHC - NAVISTAR

CONDENSER

77R8465 Overall Width: 29 1/2" Fin Width: 26" Height: 26 1/2" Thickness: 3/4" 	RD-4-7496-0P	77R0095 Overall Width: 21 3/4" Fin Width: 19 3/4" Height: 19 1/2" Thickness: 3/8" 	RD-4-7278-0P	77R0115 Overall Width: 21" Fin Width: 19 1/2" Height: 24" Thickness: 3/8" 	RD-4-7279-0P	77R0355 Overall Width: 21" Fin Width: 19 1/2" Height: 24" Thickness: 3/8" 	RD-4-7280-0P
77R0635 Overall Width: 21" Fin Width: 19 1/2" Height: 24" Thickness: 3/8" 	RD-4-7281-0P	77R0675 Overall Width: 21 1/2" Fin Width: 19 1/2" Height: 24" Thickness: 3/8" 	RD-4-7282-0P	77R0715 Overall Width: 26" Fin Width: 24" Height: 25 3/4" Thickness: 3/8" 	RD-4-7283-0P	77R7000 Grilldenser Coil Type Overall Width: 28 13/32" Fin Width: 26 19/32" Height: 26 5/32" Thickness: 25/32" 	RD-4-4713-0P
77R7705 Overall Width: 33 1/2" Fin Width: 31 1/2" Height: 16 1/2" Thickness: 5/8" 	RD-4-7277-0P	77R8309 Overall Width: 36 1/2" Fin Width: 32" Height: 28" 	RD-4-7371-0P	77R8350 Overall Width: 32 3/4" Fin Width: 31" Height: 16" Thickness: 1/2" 	RD-4-7361-0P	77R8375 Overall Width: 37 1/2" Fin Width: 32 1/2" Height: 19 1/4" Thickness: 3/4" 	RD-4-7473-0P
77R7000 Grilldenser Coil Type Overall Width: 28 13/32" Fin Width: 26 19/32" Height: 26 5/32" Thickness: 25/32" 	RD-4-4713-0P	77R8470 Overall Width: 28 1/2" Fin Width: 25 1/2" Height: 27 1/4" Thickness: 3/4" 	RD-4-7501-0P	77R8475 Overall Width: 36 1/4" Fin Width: 34" Height: 31 1/4" Thickness: 1 1/4" 	RD-4-7502-0P		

EVAPORATOR

5000, 5000i, 5360, 5500, 5500i, 5600i, 5870, 5900i, 9000, 9000i, 9100, 9100i, 2000-12 9200, 9200i, 9300, 9370, 9400, 9400i, 9600, 9670, 9671, 9700, 9800, 9900, 9900i	10" X 13" X 2 5/8"	1699950C1	RD-5-14624-0P	76R7712
--	--------------------	-----------	---------------	----------------

76R7712 RD-5-14624-0P

10" high x 12 3/4" long x 2 3/4" wide



ON-ROAD APPLICATIONS

IHC - NAVISTAR

YEAR	MODEL	DESCRIPTION	OEM PART #	FACTORY #	RedDOT #
------	-------	-------------	------------	-----------	----------

IHC - NAVISTAR

EXPANSION VALVE

	All with OEM Part No.	Expansion Valve, Right Angle, Flare, with Capillary, with Equalizer	2684701C1	RD-4126-1P	71R8050
	All with OEM Part No.	Block, #6 #10 #8 #8, with Mounting Holes	431606-R1	RD-5-6868-1P	71R8301
1983-00	4000, 4070, 4070A, 4070B, 4100, 4200, 4300, 4300, 4400, 4500, 4600, 4700, 4800, 4900, 4954	Main unit, with O-Ring style valve	1691469C2	RD-5-5862-0P	71R8080
1994-01	2000, 4000, 4700, 8000, S Series	Block, #6 #10 #8 #8, with Mounting Holes	2503783C91	RD-5-15291-0P	71R8480
1995-01	S	Main unit with Red Dot A/C	1696846C2	RD-5-10447-0P	71R8405
1995-01	2000, 2010, 2011A, 2050, 2070A, 2100, 2200, 2300, 2500, 2600, 4000, 4070, 4070A, 4070B, 4100, 4200, 4300, 4300, 4400, 4500, 4600, 4700, 4800, 4900, 4954, 8000, 8100, 8200, 8300, 8500, 8600, 8600i	Main unit no nick type (O-ring) valve	1696846C2, 1696846C3, 2503783C91	RD-5-10447-0P	71R8405
1997-06	9000, 9000i, 9100, 9100i, 9200, 9200i, 9300, 9370, 9400, 9400i, 9600, 9670, 9671, 9700, 9800, 9900, 9900i	Sleeper units	2501794C92	RD-5-10306-0P	71R8415
2000-02	9200, 9300, 9400, 9600, 9700, 9800	Main unit no nick type (O-ring) valve	2503783C91	RD-5-10447-0P	71R8405
2000-10	5000i, 9100i, 9200i, 9400i, 9900i	Main unit No Nick Type Expansion Valve	1699955C1, 2501794C92	RD-5-10306-0P	71R8415
2007-10	ProStar	Main Cab	3599589C1	RD-5-14618-0P	71R8465
2007-10	ProStar, LoneStar, 4000, 7000, 8000	Main Cab	3660853C2	RD-5-14619-0P	71R8467
2010-13	ProStar	Block, #8 #10 #8 #10, with Mounting Holes	3857948C3	RD-5-15292-0P	71R8481

71R8050 RD-4126-1P



External Equalizer
Inlet: #6 (3/8") Male Flare
Outlet: #8 (1/2") Male Flare
 Equalizer Tube
Length: 18"
Nut: 1/4" Female Flare
Capillary Tube Length: 18"
Rating: 1 1/2 Ton

71R8080 RD-5-5862-0P



External Equalizer
Inlet: #6 (3/8") Male O-Ring
Outlet: #8 (1/2") Male O-Ring
 Equalizer Tube
Length: 10"
Nut: 1/4" Male O-Ring
Capillary Tube Length: 10"
Rating: 1 1/2 Ton

71R8301 RD-5-6868-0P



Inlet: #6 (3/8") Female O-Ring
Outlet: #10 (5/8") Female O-Ring
 Evaporator Fittings
In: #8 (1/2") Female O-Ring
Out: #8 (1/2") Female O-Ring
Superheat Rating: 5°F
Pressure Limit: 80 psig @40°F

71R8405 RD-5-10447-0P



With Schrader Port
Inlet: #6 (3/8") Female O-Ring
Outlet: #10 (5/8") Female O-Ring
 Evaporator Fittings
In: #8 (1/2") Female O-Ring
Out: #8 (1/2") Female O-Ring
Superheat Rating: 8°F
Pressure Limit: 53.5 psig @75°F

71R8415 RD-5-10306-0P



With M12, M10 Schrader Port
Inlet: #6 Plate (Flange) Mount
Outlet: #10 Plate (Flange) Mount
 Evaporator Fittings
In: #8 Plate (Flange) Mount
Out: #8 Plate (Flange) Mount
Superheat Rating: N/A
Pressure Limit: N/A

71R8465 RD-5-14618-0P



Inlet: #6 (3/8") Plate (Flange) Mount
Outlet: #10 (5/8") Plate (Flange) Mount
Evaporator Fittings
In: #8 (1/2") Plate (Flange) Mount
Out: #10 (5/8") Plate (Flange) Mount
Superheat Rating: 7.5°F
Pressure Limit: 80 psig @53.5°F

71R8467 RD-5-14619-0P



2-Ton
Inlet: #6 (3/8") Plate (Flange) Mount
Outlet: #12 (5/8") Plate (Flange) Mount
Evaporator Fittings
In: #8 (1/2") Plate (Flange) Mount
Out: #10 (5/8") Plate (Flange) Mount
Superheat Rating: 5°F
Pressure Limit: 80 psig @53.5°F

71R8480 RD-5-15291-0P



2-ton with M10 port & one switch port
Inlet:
 #6 (3/8") Plate (Flange) Mount
Outlet:
 #10 (5/8") Plate (Flange) Mount
 Evaporator Fittings
In: #8 (1/2") Plate (Flange) Mount
Out: #8 (1/2") Plate (Flange) Mount

71R8481 RD-5-15292-0P



2-ton
Inlet: #8 (1/2") Plate (Flange) Mount
Outlet: #10 (5/8") Plate (Flange) Mount
 Evaporator Fittings
In: #8 (1/2") Plate (Flange) Mount
Out: #10 (5/8") Plate (Flange) Mount

YEAR	MODEL	DESCRIPTION	OEM PART #	FACTORY #	RedDOT #
------	-------	-------------	------------	-----------	----------

IHC - NAVISTAR

FAN

	All with OEM Part No.	12 Volt Defroster Fan Assembly	783966C93	RD-5-10490-4P	73R9092
1979-02	All with OEM Part No.	All models with CW, plastic blower wheel	465502C1, 1693199C1, BSM302001, ZGG14606	RD-5-14613-0P	73R7215
2001-11	All with OEM Part No.	6" dia CCW	1699947C1	RD-5-10753-0P	73R6253

73R6253 RD-5-10753-0P

6" diameter, 3" width
 3/4" bore diameter
 Hub inset: 1 1/2"
 CCW Rotation
 Plastic



73R7215 RD-5-14613-0P

5" diameter, 3" width
 5/16" bore diameter
 Hub inset: 1/2"
 CW Rotation
 Plastic



73R9092 RD-5-10490-4P

12V, Black Metal Cage, two wire with toggle

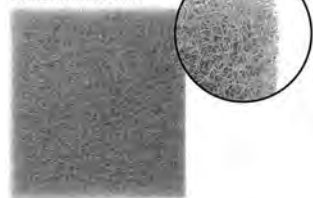


FILTER

1997-00	9200, 9400, 9800	All with AC and heater intake 12" X 11" X 1/2" with OE#	1696834C1	RD-5-14635-0P	78R5305M
---------	------------------	---	-----------	---------------	-----------------

78R5305M RD-5-14635-0P

12" Wide x 11" High x 3/4" Thick
 IHC/Navistar 1696834C1



HEATER CORE

	4000, 7000, 8000	All with OE#	3542604C3, 3542604C2, BOA-85-471-77-009	RD-5-14622-0P	76R6020
1982-01	5000, 5000i, 5360, 5500, 5500i, 5600i, 5870, 5900i, 9000, 9000i, 9100, 9100i, 9200, 9200i, 9300, 9370, 9400, 9400i, 9600, 9670, 9671, 9700, 9800, 9900, 9900i	9" X 11" X 1 5/16" Main Cab	501099C91	RD-5-14620-0P	76R3475
2007-10	ProStar	10 3/8" X 6" X 1 5/8" Auxiliary Sleeper	3599598C1	RD-5-14621-0P	76R3945
2007-10	ProStar	Front Main Cab with OE#	3542604C3	RD-5-14622-0P	76R6020

76R3475 RD-5-14620-0P

10" high x 13 1/2" long x 2 1/4" wide



76R3945 RD-5-14621-0P

6" high x 11" long x 2" wide



76R6020 RD-5-14622-0P

7 1/2" high x 13" long x 1 3/4" wide



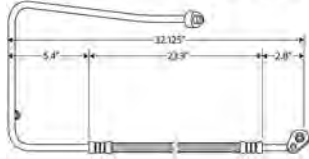
YEAR	MODEL	DESCRIPTION	OEM PART #	FACTORY #	RedDOT #
------	-------	-------------	------------	-----------	----------

IHC - NAVISTAR

HOSE ASSEMBLY

	ProStar	#8 Discharge Hose	3582989C91	RD-2-7302-0P	78R3005
--	---------	-------------------	------------	--------------	----------------

78R3005 RD-2-7302-0P



ORIFICE TUBE

2001-10	4000, 4200, 4300, 7500, 8000, 9000, 9000i, 9100, 9100i, 9200, 9200i, 9300, 9370, 9400, 9400i, 9600, 9670, 9671, 9700, 9800, 9900, 9900i	Main unit (NGV) - Behr Orifice Tube-Purple	3548044C1, BOA-80-305-00-949	RD-5-10757-0P	71R8507
---------	---	--	------------------------------	---------------	----------------

All	All with OEM Part No.	GM type, CCOT Orifice Tube-White with accumulator system, Main unit	1676822C91	RD-5-4919-0P	71R8500
-----	-----------------------	---	------------	--------------	----------------

71R8500 RD-5-4919-1P
 White - GM CCOT OE#3033879, 3033919, IHC#1676822-C91
 Length: 3.485", O.D.: .386", Orifice: .071"



71R8507 RD-5-10757-0P
 Purple - Length: 3.55", O.D.: .429", Orifice: .0605"



O-RINGS / SEALS

	All with OEM Part No.	O-ring Kit	3660865C1, 2610414C1	RD-5-14697-0P	70R5505
	All with OEM Part No.	O-ring Kit	3824716C1, 2610417C1	RD-5-14698-0P	70R5501
	All with OEM Part No.	O-ring Kit	3661318C1, 2610415C1	RD-5-14699-0P	70R5502
	All with OEM Part No.	O-ring Kit	3660864C1, 2610413C1	RD-5-15280-0P	70R5503
	All with OEM Part No.	O-ring Kit	3660862C1, 2610412C1	RD-5-15281-0P	70R5504

70R5501 RD-5-14698-0P **70R5502** RD-5-14699-0P **70R5503** RD-5-15280-0P **70R5504** RD-5-15281-0P



70R5505 RD-5-14697-0P



YEAR	MODEL	DESCRIPTION	OEM PART #	FACTORY #	RedDOT #
------	-------	-------------	------------	-----------	----------

IHC - NAVISTAR

PRESSURE SWITCH

	All with OEM Part No.	APADS switch high pressure	8040177P	RD-5-14636-0P	71R6582
	All with OEM Part No.	APADS switch low pressure	8040178P	RD-5-14637-0P	71R6584
1985-00	9200, 9300, 9400, 9900, 9900i	Low pressure switch, normally open 11psi, close 39 psi, 1/4" female flare	442183C1, 442183C2, 587977C1	RD-5-6397-0P	71R6020
1991-00	4600, 4700, 4800, 4900, 8100, 8200, 8300, 9200, 9200i, 9300, 9370, 9400, 9400i, 9600, 9670, 9671, 9700	High pressure switch, normally closed 205psi, opens 375 psi, 1/4" female flare	1676787C1, 318000	RD-5-10166-0P	71R6181
1991-00	4600, 4700, 4800, 4900, 8100, 8200, 8300, 9200, 9200i, 9300, 9370, 9400, 9400i, 9600, 9670, 9671, 9700	Low pressure switch, normally closed 5psi, open 35 psi, M10 female flare	1676786C1, 318004	RD-5-10167-0P	71R6183
1993-03	All with OEM Part No.	Switch, Pressure, High, NO	1514307C1	RD-5-6430-0P	71R6110
1993-05	All with OEM Part No.	Switch, Pressure, Trinary, NO	1676658C1	RD-5-4583-0P	71R7550
1993-05	All with OEM Part No.	Switch, Pressure, Trinary, NO	1691699C91	RD-5-4585-0P	71R7500
1998-03	All with OEM Part No.	Switch, Pressure, APADS, Low, NC	1699310-C1, 8040136	RD-5-9991-0P	71R6405
2001-05	9000	High Pressure Normally Closed 275 / 225psi	3521729C1	RD-5-14603-0P	71R6235
2006-10	4000, 4070, 4070A, 4070B, 4100, 4200, 4300, 4300, 4400, 4500, 4600, 4700, 4800, 4900, 4954, 5000, 5000i, 5360, 5500, 5500i, 5600i, 5870, 5900i, 8000, 8100, 8200, 8300, 8500, 8600, 8600i	Transducer M10 thread 3 pin Brown	3546241C1	RD-5-14604-0P	71R6260
2010-14	LoneStar, ProStar, TerraStar	Low Pressure Switch	3839315C1	RD-5-15501-0P	71R6270
All	All with OEM Part No.	Accumulator Switch fits 3542577C2	3622764C3	RD-5-14605-0P	71R6265

71R6020 RD-5-6397-0P
 Type: Low Side
 Fitting / Connector: 1/4" female flare / two-conductor Packard male/female
 Normally Closed - Closes at 7 PSI - Opens at 30 PSI



71R6110 RD-5-6430-0P
 Type: High Side -
 Fitting / Connector: 1/4" female flare / two-conductor male Weatherpak
 Normally Open - Closes at 300 PSI - Opens at 210 PSI



71R6181 RD-5-10166-0P
 Type: Low Side - Black
 Fitting / Connector: M12 x 1.5 female / integral two-prong (round)
 Normally Closed - Closes at 5 PSI - Opens at 35 PSI
 Mating Plug: Packard two-prong round



71R6183 RD-5-10167-0P
 Type: High Side - Green
 Fitting / Connector: M10 x 1.25 female / integral two-prong (round)
 Normally Closed - Closes at 205 PSI - Opens at 375 PSI
 Mating Plug: Packard two-prong round



71R6235 RD-5-14603-0P
 Type: High Side -
 Fitting / Connector: M10x 1.25 female / two conductor male weatherpak
 Normally Closed - Closes at 225 PSI - Opens at 275 PSI



71R6260 RD-5-14604-0P
 Fitting / Connector: M10, three-pin



71R6265 RD-5-14605-0P
 Fitting / Connector: M12 Thread



71R6270 RD-5-15501-0P
 Fitting/Connector: M12 Female
 On: 22-32 PSI Off: 3-9 PSI



71R6405 RD-5-9991-0P



71R6582 RD-5-14636-0P



71R6584 RD-5-14637-0P



71R7500 RD-5-4585-0P
 3/8" - 24 UNF-2A
 Male thread with bulkhead seal, 2-012 O-Ring
 Shutter/fan switch is normally open



71R7550 RD-5-4583-0P
 3/4" - 20 UNF-2B
 Female thread for male Schrader
 Shutter/fan switch is normally open



ON-ROAD APPLICATIONS

IHC - NAVISTAR



YEAR	MODEL	DESCRIPTION	OEM PART #	FACTORY #	RedDOT #
IHC - NAVISTAR					
RECEIVER DRIER					
1973-03	2000, 2010, 2011A, 2050, 2070A, 2100, 2200, 2300, 2500, 2600, 4000, 4070, 4070A, 4070B, 4100, 4200, 4300, 4300, 4400, 4500, 4600, 4700, 4800, 4900, 4954, 5000, 5000i, 5360, 5500, 5500i, 5600i, 5870, 5900i, 6300, 8000, 8100, 8200, 8300, 8500, 8600, 8600i, 9000, 9000i, 9100, 9100i, 9200, 9200i, 9300, 9370, 9400, 9400i, 9600, 9670, 9671, 9700, 9800, 9900, 9900i	3"x10", 11/16" FOR In, #6 FOR out, PRV, Top Glass	2000821C1	RD-5-4959-0P	74R3450
1991-00	4600, 4700, 4800, 4900, 4954, 5000, 8100, 8200, 8300	3"x8 1/4", #6 MOR in, #6 MOR out, PRV, Side Glass, Top Port	1676663C1	RD-5-4955-0P	74R2706
1993-01	2000, 2010, 2011A, 2050, 2070A, 2100, 2200, 2300, 2500, 2600, 4000, 4070, 4070A, 4070B, 4100, 4200, 4300, 4300, 4400, 4500, 4600, 4700, 4800, 4900, 4954, 8000, 8100, 8200, 8300, 8500, 8600, 8600i, 9000, 9000i, 9100, 9100i, 9200, 9200i, 9300, 9370, 9400, 9400i, 9600, 9670, 9671, 9700, 9800, 9900, 9900i	3"x10", QD In, QD out, PRV, Top Glass, R134A Service Port	2004050C1	RD-5-10741-1P	74R3320
1993-08	2000, 4600, 4700, 4800, 4900, 4954, 5000, 8100, 8200, 8300, 9200, 9200i, 9300, 9370, 9400, 9400i, 9600, 9670, 9671, 9700	3"x10", 11/16" FOR in, #6 FOR out, PRV, Top Glass, R134A Service Port	1693117C1, 2000821C1	RD-5-12757-1P	74R3456
2001-07	9000, 9000i, 9100, 9100i, 9200, 9200i, 9300, 9370, 9400, 9400i, 9600, 9670, 9671, 9700, 9800, 9900, 9900i	3"x10", 11/16" FOR in, #6 FOR out, PRV, Top Glass, R134A Service Port	1693117C1	RD-5-12757-1P	74R3456
2012-17	ProStar, LoneStar, TerraStar	Receiver Drier - Day Cab	3839360C92	RD-5-15287-0P	74R5088
2012-17	ProStar, LoneStar, TerraStar	Receiver Drier - Sleeper Unit	3843558C92, 6102500C92	RD-5-15697-0P	74R5090
All	9000, 9000i, 9100, 9100i, 9200, 9200i, 9300, 9370, 9400, 9400i, 9600, 9670, 9671, 9700, 9800, 9900, 9900i	Quick disconnect, #6 male, #6 female outlet, 2 M10 ports		RD-5-11189-0P	74R3323
All	9000, 9000i, 9100, 9100i, 9200, 9200i, 9300, 9370, 9400, 9400i, 9600, 9670, 9671, 9700, 9800, 9900, 9900i	3"x10", 11/16", QD in, QD out, Moisture Ind, (2) M10 Switch Ports	1607149C2	RD-5-11195-0P	74R3309

RECEIVER DRIERS CONTINUED ON NEXT PAGE

YEAR	MODEL	DESCRIPTION	OEM PART #	FACTORY #	RedDOT #
------	-------	-------------	------------	-----------	----------

IHC - NAVISTAR

RECEIVER DRIER

74R2706 3" diameter x 8 1/2" long #6 Male O-Ring Pressure Relief Top Port	RD-5-4955-0P		74R3309 3" diameter x 10" long – Quick Disconnect High Capacity – two 1/4" Schrader valves 2 Top Port	RD-5-11195-0P		74R3320 Includes Moisture Indicator 3" diameter x 10" long Quick Disconnect – High Capacity Pressure Relief Side Port	RD-5-10741-1P		74R3323 3" diameter x 10" long – Quick Disconnect Two Top Metric Ports Top Port	RD-5-11189-0P	
74R3450 3" diameter x 10" long 1/4" Female O-Ring Inlet 1/4" Female O-Ring Outlet Pressure Relief No Port	RD-5-4959-0P		74R3456 3" diameter x 9 1/4" long 1/4" Female O-Ring Inlet 1/4" Female O-Ring Outlet Pressure Relief R-134a Charge Port	RD-5-12757-1P							

RESISTOR

1977-00	All with OEM Part No.	Sleeper units with 3 terminal, 4 speed resistor	469458-C1	RD-5-13299-0P	71R1462
1977-01	2000, 2010, 2011A, 2050, 2070A, 2100, 2200, 2300, 2500, 2600, 4000, 4070, 4070A, 4070B, 4100, 4200, 4300, 4300, 4400, 4500, 4600, 4700, 4800, 4900, 4954, 8000, 8100, 8200, 8300, 8500, 8600, 8600i	IHC Resistor, 4 terminal, 4 speed	506552C1, BSM321010, ZGG14512	RD-5-13299-0P	71R1462
1991-01	2000, 4600, 4700, 4800, 4900, 4954, 5000, 8100, 8200, 8300	Blower Resistor	506552C1	RD-5-13299-0P	71R1462
1991-02	2000, 4600, 4700, 4900, 8100, 8200, 8300	Resistor, Blower Speed, Bakelite Back, 3 Terminal, 3 Speed	1696836-C1, 650179	RD-5-10341-0P	71R1457
2000-04	5000i, 9100i, 9200i, 9400i, 9900i	Resistor, Blower Speed, Bakelite Back, 3 Terminal, 3 Speed	2500918-C1	RD-5-10341-0P	71R1457
2002-07	4000, 4600, 4700, 4900, 5000, 7100, 7400, 8000, 9000, 9200, 9200i, 9300, 9370, 9400, 9400i, 9600, 9670, 9671, 9700, 9800, 9900	LPM Module 5 terminal	3562102C1	RD-5-14651-0P	71R1470
2007-10	5000, 9000, ProStar	LPM Module	3626414C1	RD-5-14601-0P	71R1475
2010-13	ProStar	LPM Module	2510671C1	RD-5-15500-0P	71R1477

71R1457 RD-5-10341-0P

3 Terminals (1/4" blade) / 3 Speeds
Bakelite base: 2 3/4" x 1 1/4" x .10" thick – Height: 1 1/4"



71R1462 RD-5-13299-0P

4 Terminals (1/2" blade) / 4 Speeds
Bakelite base: 2 3/4" x 1 1/2" x .10" thick – Height: 1 3/8"



71R1470 RD-5-14651-0P

5 Terminals Resistor
Navistar #3562102-C1



71R1475 RD-5-14601-0P

LPM Module/Resistor –
12 volt, 4 spade, 3 pin
Navistar Prostar
#3626414-C1



71R1477 RD-5-15500-0P

LPM Module/Resistor
Navistar #2510671C1



ON-ROAD APPLICATIONS

IHC - NAVISTAR

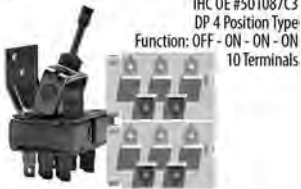
YEAR	MODEL	DESCRIPTION	OEM PART #	FACTORY #	RedDOT #
------	-------	-------------	------------	-----------	----------

IHC - NAVISTAR

SWITCH

1976-03	All with OEM Part No.	Switch, Rotary, 3 Speed, Long Shaft, 5 Terminal	INM2G754A	RD-5-3646-OP	71R1150
1981-01	9300, 9370, 9400, 9400i, 9600, 9670, 9671, 9700	Blower (fan) toggle switch, 10 terminal, OFF-ON-ON-ON	501087C1, 501087C3, ZGG14469	RD-5-8256-OP	71R0480
2001-08	All with OEM Part No.	Switch, Rotary, 3 Speed, Short Shaft, 5 Terminal	1661420C1	RD-5-9833-OP	71R1160
2007-10	ProStar	Blower Switch	3600338C1	RD-5-15293-OP	71R6259
2007-10	ProStar	Blower Switch	3600339C1	RD-5-15294-OP	71R6261
All	All with OEM Part No.	Valve, Solenoid, 12V, #6 MOR	1669329C1, 1669334C1	RD-4188-OP	71R9002

71R0480 RD-5-8256-OP



71R1150 RD-5-3646-OP



71R1160 RD-5-9833-OP



71R6259 RD-5-15293-OP



71R6261 RD-5-15294-OP



71R9002 RD-4188-OP



THERMISTOR KIT

2001-11	DURASTAR 4000 SERIES, WORKSTAR 7000 SERIES, TRANSTAR 7000 SERIES, ALL LONESTAR/PROSTAR	Thermister Freon Sensor Kit	2606229C92	RD-5-15688-OP	71R6266
---------	---	-----------------------------	------------	---------------	----------------

71R6266 RD-5-15688-OP




YEAR	MODEL	DESCRIPTION	OEM PART #	FACTORY #	RedDOT #
------	-------	-------------	------------	-----------	----------

IHC - NAVISTAR


THERMOSTAT

	All with OEM Part No.	Adjustable, 36" Probe	175575C1	RD-4125-36P	71R2250
	All with OEM Part No.	Adjustable, 48" Capillary	301305C91	RD-4125-48P	71R2300
	All with OEM Part No.	Adjustable, Cable Controlled, 30" Capillary	445444C1	RD-4226-0P	71R2700
	All with OEM Part No.	Fixed, 24" Probe	1691726C91, 3093422	RD-4427-24P	71R3100
	All with OEM Part No.	Fixed, 24" Probe	1676655C91, 1691722C91	RD-5-4531-24P	71R3200
	All with OEM Part No.	All Models with factory air with rotary switch	A45-1033, 13011C2	RD-5-4909-0P	71R2100
	All with OEM Part No.	Fixed Setting thermostat with 16" capillary tube, flange mt.	1691729C91, B0A-80-946-00-079	RD-5-6429-0P	71R3150
1973-01	5000, 7100, 9000, 9100, 9200, 9300, 9400, 9600, 9700	Cable controlled thermostat, 43" cap tube	581691C1	RD-5-4917-0P	71R2800
1989-01	2000, 4000, 4600, 4700, 4900, 5000, 7100, 7400, 8000, 9000, 9200, 9200i, 9300, 9370, 9400, 9400i, 9600, 9670, 9671, 9700, 9800, 9900	Fixed setting thermostat, 25" cap tube	1664248C1	RD-5-8257-0P	71R3300
All	5500i, 5600i, 5900i, 9100, 9300, 9400, 9800	Fixed, 25" Capillary, 34°-44°, with Threaded Mounting Holes	1699953C1	RD-5-8257-0P	71R3300


71R2100 RD-5-4909-0P
 Capillary Length: 18"
 Type: Variable
 Temp. Range: 28°- 62°F
 Clutch Cycle Range: 6°F




71R2250 RD-4125-36P
 Capillary Length: 36"
 Type: Variable
 Temp. Range: 34°- 52°F
 Clutch Cycle Range: 5°F




71R2300 RD-4125-48P
 Capillary Length: 48"
 Type: Variable
 Temp. Range: 34°- 52°F
 Clutch Cycle Range: 5°F




71R2700 RD-4226-0P
 Pull for cold Variable temp. Mounting hole spacing 2 1/16"
 Capillary Length: 30"
 Type: Variable
 Temp. Range: 34°- 54°F
 Clutch Cycle Range: 5°F




71R2800 RD-5-4917-0P
 Pull for warm Variable temperature, Mounting hole spacing 2 3/16"
 Capillary Length: 43"
 Type: Variable
 Temp. Range: 30°- 62°F
 Clutch Cycle Range: 10°F
 IHC#581691C1



71R3100 RD-4-4272-4P
 Mounting hole spacing: 2 1/8"
 Capillary Length: 24"
 Type: Fixed
 Temp. Range: 34°- 38°F
 Clutch Cycle Range: 5°F



71R3150 RD-5-6429-0P
 Capillary Length: 16"
 Type: Fixed
 Temp. Range: 28°- 35°F
 Clutch Cycle Range: 7°F



71R3200 RD-5-4531-24P
 Mounting hole spacing: 2 1/4"
 Capillary Length: 24"
 Type: Fixed (side mount)
 Temp. Range: 31°- 39°F
 Clutch Cycle Range: 8°F



71R3300 RD-5-8257-0P
 Mounting hole spacing: 2 3/16"
 Capillary Length: 25"
 Type: Fixed
 Temp. Range: 34°- 44°F
 Clutch Cycle Range: 8°F



WATER VALVE

	All with OEM Part No.	Cable Controlled, 5/8" Hose, STR-STR, Pull to Open	899996-R91	RD-4257-0P	72R5050
	All with OEM Part No.	Manual valve for 5/8" hose to 5/8" hose	ZGG14525	RD-5-5192-0P	72R5500
1997-00	9000, 9900i, ix, Eagle	Water Shutoff (3/4" x 1/2" NPT)	367972C92, ZGG11080	RD-5-14606-0P	72R5090
2001-07	4000, 4070, 4070A, 4070B, 4100, 4200, 4300, 4300, 4400, 4500, 4600, 4700, 4800, 4900, 4954, 7000, 7100, 7300, 7400, 7500, 7600, 7700, 8000, 8100, 8200, 8300, 8500, 8600, 8600i	with OE number	3542575C1, 3542575C2	RD-5-14610-0P	71R3585

71R3585 RD-5-14610-0P
 Actuator - 12V 2-pin



72R5050 RD-4257-0P
 5/8" hose to 5/8" hose



72R5090 RD-5-14606-0P
 3/4" to 1/2" NPT Male



72R5500 RD-5-5192-0P
 5/8" Hose To 5/8" Hose
 Manual Open & Close



ON-ROAD APPLICATIONS

KENWORTH

YEAR	MODEL	DESCRIPTION	OEM PART #	FACTORY #	RedDOT #
------	-------	-------------	------------	-----------	----------

KENWORTH

ACCUMULATOR

1998-10	All with OEM Part No.	Accumulator Pad mount	F37-6063, 18-04171	RD-5-9556-1P	74R5062
1998-10	All with OEM Part No.	Aluminum, 3 1/2"x9 1/8" Pad Fitting in, Pad Fitting out	F31-6063, 18-04171	RD-5-9556-1P	74R5062

74R5062 RD-5-9556-1P

3 1/2" diameter x 9 1/8" long
Inlet: Pad Mount
Outlet: Pad Mount



ACTUATOR

1996-03	All with OEM Part No.	Universal, 12v/24v, 4 pin Deutz Connector, 104° Max Travel	MA14400, 650341BSM	RD-5-12450-1P	71R3583
---------	-----------------------	--	--------------------	---------------	----------------

71R3583 RD-5-12450-1P

Universal, 12 or 24 Volt
4-pin Deutz
sealed connection
104° maximum
travel



AIR FILTER

1993-00	All with OEM Part No.	Filter, Cab Air	5X000190, 5X000180	RD-5-14695-0P	78R5450
1998-10	All with OEM Part No.	Filter, Cab Air	5X010007	RD-5-14694-0P	78R5460
2002-09	T2000	Filter, Cab Air	GD11800, 525507BSM, 525507	RD-5-10745-1P	78R5420M
2008-10	All with OEM Part No.	Filter, Cab Air	5X013817	RD-5-14693-0P	78R5455

78R5420M RD-5-10745-1P

13 3/4" Wide x 10 1/4" High x 3/4" Thick



78R5450 RD-5-14695-0P

11 1/4" wide x 6" high x 1 1/4" thick



78R5455 RD-5-14693-0P

12 1/2" wide x 9" high x 1/2" thick



78R5460 RD-5-14694-0P

10 3/4" wide x 8" high x 3/4" thick



YEAR	MODEL	DESCRIPTION	OEM PART #	FACTORY #	RedDOT #
KENWORTH					
BLOWER MOTOR					
1978-98	C500, C500B	12V, CW, 1 Speed, Single 5/16" Shaft, with Mounting Studs	HA1105, HA1100	RD-3106-12P	73R0552
1980-09	C500	12V, 1 Speed, Double 5/16" Shaft, WO/Mounting Studs	HB16100, HB1610, 203080, K318-201	RD-5-6801-0P	73R4182
1980-12	W900	12V, 1 Speed, Double 5/16" Shaft, WO/Mounting Studs	HB16100, HB1610, 203080	RD-5-6801-0P	73R4182
1983-07	K100, K100E	12V, 1 Speed, Double 5/16" Shaft, without Mounting Studs	HB15700, HB1570, HB1680, 203085, HA16050, HA1605, 203076	RD-5-10068-0P	73R4322
1986-07	K100E	12V, 1 Speed, Double 5/16" Shaft, without Mounting Studs	HB15700, HB1570, HB1680, 203085	RD-5-10068-0P	73R4322
1995-07	All with OEM Part No.	12V, CW, 1 Speed, Single 5/16" Shaft, with Mounting Studs	HA16050, HA1605, 203076	RD-5-5512-0P	73R0912
1995-97	W900	12V, CCW, 1 Speed, Single 5/16" Shaft, with Mounting Studs	HA1120, 2807-517-019	RD-5-6526-1P	73R0402
1996-10	T2000	12V, 1 Speed, Double 5/16" Shaft, with Mounting Studs	HA15250, HA1525, 203142BSM, 871218BSM	RD-5-10867-0P	73R0332
1996-12	T2000	12V, CW, 1 Speed, Single 5/16" Shaft, with Mounting Tabs	HA12600, 203139BSM	RD-5-8922-0P	73R0612
1997-01	T300, T400, T600, W900	12V, 1 Speed, Double 5/16" Shaft, without Mounting Studs	HA13500, 203235BSM	RD-5-10068-0P	73R4322
2005-12	T270, T370, T470	12V, CW, 1 Speed, Single 5/16" Shaft, Flange Mount	3X010983	RD-5-13069-0P	73R3142
2011-12	T700	with Bergstrom main unit	203142BSM	RD-5-10867-0P	73R0332
All	All with OEM Part No.	12V, CW, 2 Speed, Single 5/16" Shaft, with Mounting Studs	20132P	RD-3106-12P	73R0552
All	All with OEM Part No.	12V, CW, 1 Speed, Single 5/16" Shaft, with Mounting Studs	20152P1, 20302P	RD-3106-12P	73R0552
All	All with OEM Part No.	12V, Reversible, 1 Speed, Single 5/16" Shaft, with Mounting Studs	20322P, 20332P	RD-5-10390-0P	73R0212
All	All with OEM Part No.	24V, CCW, 1 Speed, Single 5/16" Shaft, with Mounting Studs	20303P	RD-5-3751-24P	73R0454
All	All with OEM Part No.	12V, 1 Speed, Double 5/16" Shaft, WO/Mounting Studs	20578P	RD-5-6801-0P	73R4182

73R0212 RD-5-10390-0P



Single Speed
12 Volt
Rotates Either Direction
Stud Mounted, Span 2 5/16"
Dimensions: 4" x 3 3/8" x 3"
Shaft: 5/16" diameter, Length: 1 1/2"
Non Vented
Connector: Two conductor, 14 gauge

73R0332 RD-5-10867-0P



Single Speed
12 Volt
Rotates CCW
Permanent Magnet Motor
Flange/Plate Mounted
Dimensions: 5" x 4" x 3"
Shaft: 5/16" diameter, Length: 1 1/2"
Vented
Connector: Two conductors, female ring terminal, Packard #2984528

73R0402 RD-5-6526-1P



Single Speed
12 Volt
Rotates CCW
Permanent Magnet Motor
Stud Mounted, Span 2 5/16"
Dimensions: 5" x 4" x 3"
Shaft: 5/16" diameter, Length: 1 5/8"
Vented
Connector: Two conductor Packard #2984528, 2971859

73R0454 RD-5-3751-24P



Single Speed
24 Volt
Rotates CW
Permanent Magnet Motor
Stud Mounted, Span 2 5/16"
Dimensions: 4 1/16" x 3 7/8" x 3"
Shaft: 5/16" diameter, Length: 1 5/8"
Vented
Connector: Two conductor Packard #2984528

73R0552 RD-3106-12P



Two Speed
12 Volt
Rotates CW
Field Wound Motor
Stud Mounted, Span 2 5/16"
Dimensions: 4 1/4" x 3 13/32" x 3"
Shaft: 5/16" diameter, Length: 1 1/2"
Vented
Connector: Two conductor, orange-high, red-low

73R0612 RD-5-8922-0P



Single Speed
12 Volt
Rotates CW
Permanent Magnet Motor
Strap/Stud Mounted, Span 2 5/16"
Dimensions: 5 1/8" x 4 1/16" x 3"
Shaft: 5/16" diameter, Length: 1 5/8"
Vented, Strap Diameter: 6 3/4"
Connector: Two conductor Packard #12129939

73R0912 RD-5-5512-0P



Single Speed
12 Volt
Rotates CCW
Permanent Magnet Motor
Stud Mounted, Span 2 5/16"
Dimensions: 4 3/4" x 4" x 3"
Shaft: 5/16" diameter, Shaft Length: 1 1/2"
Vented - RFI
Connector: Multiple adapters in kit

73R3142 RD-5-13069-0P



Single Speed
12 Volt
Rotates CW
Flange Mount

73R4182 RD-5-6801-0P



Single Speed
12 Volt
Permanent Magnet Motor
Strap / Stud Mounted, Span 2 5/16"
Dimensions: 4 3/8" x 4" x 3"
Shafts: 5/16" diameter, length: 2 5/8"
Vented
Connector: 1/4" spade receptacle

73R4322 RD-5-10068-0P



Single Speed
12 Volt
Permanent Magnet Motor
Stud Mounted, Span 2 5/16"
Dimensions: 4 7/8" x 4 1/2" x 3"
Shafts: 5/16" diameter, length: 2 1/2"
Vented
Connector: Two conductor 1/4" spade receptacle

ON-ROAD APPLICATIONS

KENWORTH

YEAR	MODEL	DESCRIPTION	OEM PART #	FACTORY #	RedDOT #
KENWORTH					
BLOWER WHEEL					
1986-10	W900	Reversible, Double Entry	HC10500, HC1050, 589540	RD-5-10346-0P	73R7130
1986-10	C, T, W	w Bergstrom unit	589540	RD-5-13230-0P	73R7135
1987-02	All with OEM Part No.	CW, Single Entry	HC12800, HC1280, 1-1034Q, 52980P	RD-5-5263-0P	73R6230
1987-07	All with OEM Part No.	CW, Single Entry	HC1285, HC1280, HC 12800, 52480P, HF1060, HC1620	RD-5-3800-1P	73R6251
1987-96	LCF, Mid Ranger, 200, 210	Reversible, Double Entry	HC13500, HC1350, RD5-5656 0	RD-5-5656-0P	73R7000
1996-07	T2000	Reversible, Double Entry	HC10500, HC1050	RD-5-10346-0P	73R7130
All	All with OEM Part No.	CCW, Single Entry	HC10250, HC1025, 1-1033Q	RD-3106-39P	73R6151
All	All with OEM Part No.	CCW, Single Entry	HC10250, HC1025, RD-3106-14	RD-3106-39P	73R6151
All	All with OEM Part No.	Reversible, Double Entry	302042	RD-5-10346-0P	73R7130
All	All with OEM Part No.	CW, Single Entry	HC12800, HC1280, 1-1034Q	RD-5-3800-1P	73R6251
All	All with OEM Part No.	CW, Single Entry	HC16200, HC1620, RD-5-3800-1	RD-5-3800-1P	73R6251
All	All with OEM Part No.	Reversible, Double Entry	HC1075, 1199001	RD-5-3933-1P	73R7101
All	All with OEM Part No.	Reversible, Double Entry	RD-5-3933-1	RD-5-3933-1P	73R7101
All	All with OEM Part No.	CW, Single Entry	HC1325, HC1405, 260822, 260830	RD-5-5601-0P	73R6370
All	All with OEM Part No.	CW, Single Entry	HC13250, HC1325, RD5-5601-0	RD-5-5601-0P	73R6370
All	All with OEM Part No.	CCW, Single Entry	HC14000, HC1400, HC1015	RD-5-8618-0P	73R6051


73R6051 RD-5-8618-0P
 5 1/4" diameter, 3 1/2" width
 3/16" bore diameter
 Hub inset: 3/4"
 CCW Rotation
 Steel



73R6151 RD-3106-39P
 5 1/4" diameter, 2 1/2" width
 3/16" bore diameter
 Hub inset: 7/8"
 CCW Rotation
 Steel



73R6230 RD-5-5263-0P
 5 1/4" diameter, 3 1/2" width
 3/16" bore diameter
 Hub inset: 3/4"
 CW Rotation
 Steel



73R6251 RD-5-3800-1P
 5 1/4" diameter, 3 3/8" width
 3/16" bore diameter
 Hub inset: Flat
 CW Rotation
 Steel



73R6370 RD-5-5601-0P
 5 3/4" diameter, 3" width
 5/16" bore diameter
 Hub inset: 1 13/16"
 CCW Rotation
 Plastic



73R7000 RD-5-5656-0P
 3 3/16" diameter, 3 13/16" width
 5/16" bore diameter
 Hub inset: 1 1/8"
 Dual Rotation
 Plastic



73R7101 RD-5-3933-1P
 3 1/4" diameter, 3 1/4" width
 5/16" bore diameter
 Hub inset: 1 1/4"
 Dual Rotation
 Steel



73R7130 RD-5-10346-0P
 4 3/4" diameter, 3 7/32" width
 5/16" bore diameter
 Hub inset: 1 1/16"
 CW Rotation
 Plastic



73R7135 RD-5-13230-0P
 4 1/2" diameter, 3 3/8" width
 Bore Diameter: 5/16" bore diameter
 CW / CCW Rotation
 Plastic



YEAR	MODEL	DESCRIPTION	OEM PART #	FACTORY #	RedDOT #
KENWORTH					
CLUTCH ASSEMBLY					
	All with OEM Part No.	12V, PV6 Groove, 5 3/4", 2 Wire	KA14000, KA1400, 024-25244, KA332-59-7	RD-5-10363-0P	75R0502
	All with OEM Part No.	12V, PV6 Groove, 5 3/4", 1 Wire	KA14100, KA1410, K332-59-3, 024-25078, 024- 25144	RD-5-10364-0P	75R0512
	All with OEM Part No.	12V, PV8 Groove, 6 1/8", 2 Wire	KA14050, KA1405, 024-25247, K332-59-4	RD-5-10365-0P	75R0682
	All with OEM Part No.	12V, PV6 Groove, 5 7/8", 2 Wire	KA15350, KA1535, 024-25241, K322-59-7	RD-5-10366-0P	75R0522
	All with OEM Part No.	12V, 2A Groove, 125MM, 2 Wire	KA44260, KA4426, 4426-9931, 1399068	RD-5-10368-0P	75R1532
	All with OEM Part No.	12V, PV7 Groove, 119MM, 1 Wire	4645-9931, 6512-6210	RD-5-10399-0P	75R0052
	All with OEM Part No.	12V, 2A Groove, 125MM, 1 Wire	KA1160, 6511-6210, 511946, K322-39	RD-5-10723-0P	75R0262
	All with OEM Part No.	12V, 1A Groove, 6", 1 Wire	KA10950, KA1095, K332-62-2, 024-21942	RD-5-4966-0P	75R0302
	All with OEM Part No.	12V, 2A Groove, 6", 1 Wire	KA10400, KA1040, K332-62-1 K332-19, K322-24, K322-27, 5019390CC	RD-5-4972-1P	75R1202
	All with OEM Part No.	12V, 2A Groove, 7", 1 Wire	KA1090, 332334, MA-7A	RD-5-4994-0P	75R4502
	All with OEM Part No.	12V, 2A Groove, 132MM, 1 Wire	KA1075, 6519-6010, KA1350, KA1345	RD-5-5486-0P	75R0202
	All with OEM Part No.	12V, 1A Groove-Overhang, 125MM, 1 Wire	KA10550, KA1055, 511869, 511575, 303261	RD-5-6646-0P	75R0182
	All with OEM Part No.	12V, 2A Groove, 125MM, 1 Wire	6511-6110, 9353-6010	RD-5-7831-0P	75R0192
	All with OEM Part No.	24V, 2A Groove, 125MM, 1 Wire	K332-B25, 4611-9931	RD-5-7832-0P	75R0194
	All with OEM Part No.	12V, PV6 Groove, 6 1/8", 1 Wire	KA13900, KA1390, KA14000, KA1400, KA14800, KA1480	RD-5-8009-0P	75R0612
	All with OEM Part No.	12V, 2A Groove, 6", 2 Wire	KA15250, KA1525, 024-25238, K332-59-5	RD-5-9456-0P	75R1302
	All with OEM Part No.	12V, PV8 Groove, 5 3/8", 1 Wire	KA14850, KA1485, 024 25247, 14444, MA N05	RD-5-9802-0P	75R0662

KENWORTH

ON-ROAD APPLICATIONS

KENWORTH

YEAR	MODEL	DESCRIPTION	OEM PART #	FACTORY #	RedDOT #
------	-------	-------------	------------	-----------	----------

KENWORTH

CLUTCH ASSEMBLY

<p>75R0052 RD-5-10399-0P</p> <p>Model 709 / 7H15 Diameter: 4.7" / 119mm Groove: Poly 7 Width: .14" 12 Volts B Distance: 1 7/8" / 48mm</p> <p>Single wire coil Weatherpak plug</p> 	<p>75R0182 RD-5-8382-0P</p> <p>Model: Seltec/TAMA - CH Diameter: 4.9" / 125mm Groove: 1 Width: 1/2" 12 Volts B Dimension: 2 3/16" / 62 mm</p> <p>Single wire coil Male bullet plug</p> 	<p>75R0192 RD-5-7831-0P</p> <p>Model SD7 Diameter: 4.9" / 125mm Groove: 2 Width: 1/2" 12 Volts B Distance: -</p> <p>Single wire coil Male bullet plug</p> 	<p>75R0194 RD-5-7832-0P</p> <p>Model 709 / 7H15 Diameter: 4.9" / 125mm Groove: 2 Width: 1/2" 24 Volts B Distance: 1 1/4" / 40mm Single wire coil Female 280 HD plug</p> 
<p>75R0202 RD-5-5486-0P</p> <p>Model SDS (508, 510, 5H14) Diameter: 5 1/4" / 132mm Groove: 2 Width: 1/2" 12 Volts B Distance: 1 9/16" / 40mm</p> <p>Single wire coil Bare wire</p> 	<p>75R0262 RD-5-10723-0P</p> <p>Model: Seltec - TM15 Diameter: 4.9" / 125mm Groove: 2 Width: 1/2" 12 Volts B Dimension: 1 9/16" / 40 mm</p> <p>Single wire coil Male bullet plug</p> 	<p>75R0302 RD-5-4966-0P</p> <p>Diameter: 6" Groove: 1 Width: 1/2" 12 Volts B Dimension: 2 3/4"</p> <p>Single wire coil w diode Weatherpak plug</p> 	<p>75R0502 RD-5-10363-0P</p> <p>Diameter: 5 3/4" Groove: Poly 6 Width: .14" 12 Volts B Dimension: 2"</p> <p>Double wire coil w diode Metripak plug</p> 
<p>75R0512 RD-5-10364-0P</p> <p>Diameter: 5 3/4" Groove: Poly 6 Width: .14" 12 Volts B Dimension: 2"</p> <p>Single wire coil w diode Weatherpak plug</p> 	<p>75R0522 RD-5-10366-0P</p> <p>Diameter: 5 7/8" Groove: Poly 6 Width: .14" 12 Volts B Dimension: 1 5/8"</p> <p>Double wire coil w diode, Metripak plug</p> 	<p>75R0612 RD-5-8009-0P</p> <p>Diameter: 6 1/8" Groove: Poly 6 Width: .14" 12 Volts B Dimension: -</p> <p>Single wire coil w diode Female Weatherpak (IHC) plug</p> 	<p>75R0662 RD-5-9802-0P</p> <p>Diameter: 5 3/8" Groove: Poly 8 Width: .14" 12 Volts B Dimension: 1 5/8" Single wire coil with diode Female Weatherpak (IHC) plug</p> 
<p>75R0682 RD-5-10365-0P</p> <p>Diameter: 6 1/8" Groove: Poly 8 Width: .14" 12 Volts B Dimension: 1 5/8"</p> <p>Double wire coil w diode Metripak plug</p> 	<p>75R1202 RD-5-4972-1P</p> <p>OE #501939, MAE-6AR Diameter: 6" Groove: 2 Width: 1/2" 12 Volts B Dimension: 1 5/8" Single wire coil with diode Weatherpak plug</p> 	<p>75R1302 RD-5-9456-0P</p> <p>Diameter: 6" Groove: 2 Width: 1/2" 12 Volts B Dimension: 1 5/8"</p> <p>Double wire coil w diode Metripak plug</p> 	<p>75R1532 RD-5-10368-0P</p> <p>Model 709 / 7H15 Diameter: 4.9" / 125mm Groove: 2 Width: 1/2" 12 Volts B Distance: 2 5/16" / 55mm</p> <p>Double wire coil Metripak plug</p> 
<p>75R4502 RD-5-4994-0P</p> <p>Diameter: 7" Groove: 2 Width: 1/2" 12 Volts B Dimension: 2"</p> <p>Single wire coil Male bullet plug</p> 			

YEAR	MODEL	DESCRIPTION	OEM PART #	FACTORY #	RedDOT #
KENWORTH					
COMPRESSOR					
	All with OEM Part No.	7H15HD, 12V, PV6 Groove, 125MM, 2 Wire, GSA Head, Direct Mount	4731, 4424	RD-5-10273-0P	75R84292
	All with OEM Part No.	7H15HD, 12V, 2A Groove, 125MM, 2 Wire, JDA Head, Direct Mount	4740SAN, 4740	RD-5-10274-0P	75R84312
	All with OEM Part No.	Tube-0, LH Suction, 1"-14 Discharge, 1"-14 Suction, 12V, 2A Groove, 6", 1 Wire	LC1140, LC1015, ET210L-25073C	RD-5-11217-0P	75R7312
	All with OEM Part No.	Tube-0, LH Suction, 1"-14 Discharge, 1"-14 Suction, 12V, 2A Groove, 6", 2 Wire	LC2120, ET210L-25237C	RD-5-11218-0P	75R7322
	All with OEM Part No.	Tube-0, LH Suction, 1"-14 Discharge, 1"-14 Suction, 12V, PV8 Groove, 6 1/8", 2 Wire	LC2125, ET210L-25246C	RD-5-11219-0P	75R7332
	All with OEM Part No.	7H15HD, 12V, PV8 Groove, 119MM, 1 Wire, JDA Head	4645SAN, 4645, LE1150	RD-5-11313-0P	75R81452
	All with OEM Part No.	7H15HD, 12V, 2A Groove, 125MM, 1 Wire, JDA Head	4647SAN, LE1135, 4664	RD-5-11316-1P	75R81472Q
	All with OEM Part No.	7H15HD, 12V, 2A Groove, 125MM, 1 Wire, JDA Head	4647SAN, LE1135, F69-6001-253, LE1640, 18-04088, 4713SAN, 4713	RD-5-11316-1P	75R81472Q
	All with OEM Part No.	7H15HD, 12V, PV8 Groove, 119MM, 1 Wire, JDA Head	4660	RD-5-11322-0P	75R81482
	All with OEM Part No.	7H15HD, 12V, PV8 Groove, 119MM, 2 Wire, KC Head, Direct Mount	LE1085, K318-103, 4667SAN, F69-6002-114	RD-5-11326-0P	75R81502
	All with OEM Part No.	7H15HD, 12V, PV8 Groove, 119MM, 1 Wire, MDA Head	4672SAN, 4672, F69-6001-215	RD-5-11328-0P	75R81512
	All with OEM Part No.	7H15HD, 12V, PV8 Groove, 119MM, 2 Wire, KG Head	4739SAN, 4739, F69-6002-214, 18-04291	RD-5-11334-0P	75R81562
	All with OEM Part No.	7H15HD, 12V, PV8 Groove, 119MM, 2 Wire, GQ Head, Direct Mount	4432, 4759, F69-1003, F69-6002-111	RD-5-12334-0P	75R81662
	All with OEM Part No.	7H15HD, 12V, 2A Groove, 125MM, 2 Wire, GQ Head	LF0231, F69-6002-231, 4426SAN, 4696SAN	RD-5-12523-0P	75R8772
	All with OEM Part No.	QP16HD, 12V, 8GRV, 119mm, GQ head	4705, F69-6002-212, 18-04178	RD-5-12535-0P	75R81642Q
	All with OEM Part No.	QP16HD, 12V, PV8 Groove, 123MM, 2 Wire, H Head	LF0211, F69-6001-211, 18-04178, 252-1496	RD-5-12535-0P	75R81642Q
	All with OEM Part No.	7H15SHD, 12V, Direct mount, GQ head, 126mm, PV12	4078, F69-6003-151	RD-5-13210-0P	75R89532
	All with OEM Part No.	QP15HD, 12v direct mount GQ head, 119mm, Poly 8	F69-6003-111	RD-5-13213-1P	75R89562Q
	All with OEM Part No.	QP15HD, 12V Direct mount GH head, 125mm dia	F69-6003-122, 4376, 4079	RD-5-13215-1P	75R89582Q
	All with OEM Part No.	7H15SHD, PV8 Groove, 119mm, GSA head, direct mount	4081, 4398	RD-5-14655-0P	75R89652
	All with OEM Part No.	7H15SHD, PV8 Groove, 119mm, KCA head, direct mount	4090, 4391	RD-5-14656-0P	75R89662
	All with OEM Part No.	QP15HD, 12V, 1A Groove Overhang, 125MM, 1 Wire, F Head, R-12	488-25063, K318-36-02	RD-5-5875-1P	75R8502Q
	All with OEM Part No.	QP15HD, 12V, 2A Groove, 135MM, 1 Wire, F Head, R-12	LF1005, 488-25011, K318-36-03	RD-5-5876-1P	75R8512Q
	All with OEM Part No.	QP15HD, 12V, 2A Groove, 135MM, 1 Wire, F Head, R-12	488-25077	RD-5-7023-1P	75R8522Q
	All with OEM Part No.	5H14HD, 12V, 2A Groove, 132MM, 1 Wire, FL Head	LE1620, LE1035, 4644	RD-5-7088-0P	75R8382
	All with OEM Part No.	7H15HD, 12V, 2A Groove, 125MM, 1 Wire, JD Head	LE1145, 75R8422	RD-5-7120-0P	75R8422
	All with OEM Part No.	QP15HD, 12V, 2A Groove, 135MM, 1 Wire, D Head	103-55011, 435-55011, 488-45011	RD-5-7145-1P	75R8612Q
	All with OEM Part No.	QP15HD, 12V, 1 VAR Groove, 159MM, 1 Wire, D Head	435-55065, 488-45065	RD-5-7164-1P	75R8632Q
	All with OEM Part No.	7H15HD, 12V, 2A Groove, 132MM, 2 Wire, JDA Head, Direct Mount	4626SAN, 4626, 4695, LE1140, 1CC4696, F69-1000, F69-6001-153	RD-5-7522-0P	75R8432
	All with OEM Part No.	Rotolock, LH Suction, #8 Discharge, #10 Suction, NO CLUTCH	LC2000, LD1000, 99239-5, ER210L-25149, K318-48-4	RD-5-8637-0P	75R7280
	All with OEM Part No.	Tube-0, LH Suction, 1"-14 Discharge, 1"-14 Suction, NO CLUTCH	LC2100, LD1030, 99241-3, LD1035, 99244-3, ET210L-25150,	RD-5-8638-0P	75R7290
	All with OEM Part No.	QP15HD, 12V, 1A Groove Overhang, 125MM, 1 Wire, D Head	488-45063	RD-5-8944-1P	75R8532Q
2000-06	All with OEM Part No.	7H15HD, 12V, PV6 Groove, 125MM, 2 Wire, GQ Head, Direct Mount	4425, 4792, F69-6003-121, F69-6000, F69-6002-122	RD-5-12332-0P	75R81632

KENWORTH

ON-ROAD APPLICATIONS

KENWORTH

YEAR	MODEL	DESCRIPTION	OEM PART #	FACTORY #	RedDOT #
------	-------	-------------	------------	-----------	----------


KENWORTH COMPRESSOR


75R7280	RD-5-8637-0P
Fitting: 1" - 14 Universal, Standard Duty with Super Screws, Felt Ring, PRV and Ester Oil Supplied without clutch No connector supplied	
	


75R7290	RD-5-8638-0P
Fitting: 1" - 14 Universal, Standard Duty with Super Screws, Felt Ring, PRV and Ester Oil Supplied without clutch No connector supplied	
	


75R7332	RD-5-11219-0P
Fitting: 1" - 14 OE Replacement, Standard Duty Clutch: 6 3/8", Poly 8, .014" Gauge Line: 1 9/16" Connector: 2 wire Metripak	
	


75R81452	RD-5-11313-0P	
Model: 7H15HD	Head: JDA	Voltage: 12
Mount: Ear	Sanden: 4645	
Clutch: 4.7" (119mm) Poly 7	R134a	
		


75R81472Q	RD-5-11316-1P	
Model: QP-7H15	Head: JDA	Voltage: 12V
Mount: Ear	Sanden: 4660	
Clutch: 5" (125mm) 2 Groove	R134a	
		

75R81482	RD-5-11322-0P	
Model: 7H15HD	Head: JDA	Voltage: 12
Mount: Ear	Sanden: 4660	
Clutch: 4 3/4" (119mm) Poly 8	R134a	
		


75R81502	RD-5-11326-0P	
Model: 7H15	Head: KC	Voltage: 12
Mount: Direct	Sanden: 4667	
Clutch: 4.7" (119mm) Poly 8	R134a	
		

75R81512	RD-5-11328-0P	
Model: 7H15	Head: MDA	Voltage: 12
Mount: Ear	Sanden: 4672	
Clutch: 4.7" (119mm) Poly 8	R134a	
		


75R81562	RD-5-11334-0P	
Model: 7H15HD	Head: KG	Voltage: 12
Mount: Ear	Sanden: 4739	
Clutch: 4.7" (119mm) Poly 8	R134a	
		


75R81632	RD-5-12332-0P	
Model: 7H15	Head: GQ	Voltage: 12
Mount: Direct	Sanden: 4040, 4425, 4792	
Clutch: 4.9" (125mm) Poly 6	R134a	
		


75R81642Q	RD-5-12535-0P	
Model: QP16HD	Head: GQ	Voltage: 12V
Mount: Ear	ICE: 2521496	
Clutch: 4 3/4" (123mm) Poly 8	R134a	
		

75R81662	RD-5-12334-0P	
Model: 7H15	Head: GQ	Voltage: 12
Mount: Direct	Sanden: 4042, 4432, 4759	
Clutch: 4.7" (119mm) Poly 8	R134a	
		

75R8382	RD-5-7088-0P	
Model: 7H15	Head: JD	Voltage: 12
Mount: Ear	Sanden: 4509, 4510, 6664	
Clutch: 5 1/4" (132mm) A2 Groove	R134a	
		

75R8422	RD-5-7120-0P	
Model: 7H15HD	Head: JD	Voltage: 12
Mount: Ear	Sanden: 4627	
Clutch: 4.9" (125mm) A2 Groove	R134a	
		

75R84292	RD-5-10273-0P	
Model: 7H15	Head: GSA	Voltage: 12
Mount: Direct	Sanden: 4039, 4424, 4731	
Clutch: 4.9" (125mm) Poly 6	R134a	
		

75R84312	RD-5-10274-0P	
Model: 7H15HD	Head: JDA	Voltage: 12
Mount: Ear	Sanden: 4433, 4484, 4740	
Clutch: 4.9" (125mm) A2 Groove	R134a	
		

75R8432	RD-5-7522-0P	
Model: 7H15HD	Head: JDA	Voltage: 12
Mount: Direct	Sanden: 4626, 4695	
Clutch: 5 1/4" (132mm) A2 Groove	R134a	
		

75R8502Q	RD-5-5875-1P	
Model: QP-15HD	Head: F	Voltage: 12V
Mount: Ear	ICE: 2521129 Seltec: 488-25063	
Clutch: 5" (125mm) 1 Groove overhang	R-12	
		

75R8512Q	RD-5-5876-1P	
Model: QP-15HD	Head: F	Voltage: 12V
Mount: Ear	ICE: 2521121 Seltec: 488-25011	
Clutch: 5 1/4" (135mm) 2 Groove	R-12	
		

75R8522Q	RD-5-7023-1P	
Model: QP-15HD	Head: F	Voltage: 12V
Mount: Ear	ICE: 2521132 Seltec: 488-25077	
Clutch: 5 1/4" (135mm) 2 Groove	R-12	
		

COMPRESSOR CONTINUED ON NEXT PAGE

YEAR	MODEL	DESCRIPTION	OEM PART #	FACTORY #	RedDOT #
------	-------	-------------	------------	-----------	----------

KENWORTH COMPRESSOR

75R8532Q RD-5-8944-1P
Model: QP-15HD **Head:** D **Voltage:** 12V
Mount: Ear **ICE:** 2521166 **Seltec:** 488-45063
Clutch: 5" (125mm) 1 Groove overhang **R134a**



75R8612Q RD-5-7145-1P
Model: QP-15HD **Head:** D **Voltage:** 12V
Mount: Ear **ICE:** 2521152 **Seltec:** 488-45011
Clutch: 5 3/4" (135mm) 2 Groove **R134a**



75R8632Q RD-5-7164-1P
Model: QP-15HD **Head:** D **Voltage:** 12V
Mount: Ear **ICE:** 2521167 **Seltec:** 488-45065
Clutch: 6 1/4" (159mm) Variable 1 Groove **R134a**



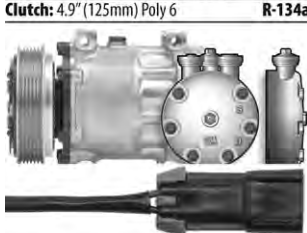
75R8772 RD-5-12523-0P
Model: 7H15 **Head:** GQ **Voltage:** 12
Mount: Ear **Sanden:** 4041, 4426, 4696
Clutch: 4.9" (125mm) A2 Groove **R134a**



75R89532 RD-5-13210-0P
Model: SD7H15 **Head:** GQ **Voltage:** 12
Mount: Direct **Sanden:** 4078
Clutch: 4.9" (126mm) Poly 12 **R-134a**



75R89582Q RD-5-13215-1P
Model: QP7H15 **Head:** GSA **Voltage:** 12V
Mount: Direct
Sanden: 4039, 4424, 4731, 4376, 5362
Clutch: 4.9" (125mm) Poly 6 **R-134a**



75R89652 RD-5-14655-0P
Model: 7H15SHD **Head:** GSA **Voltage:** 12v
Mount: Direct **Sanden:** 4081
Clutch: 4.7" (119mm) Poly 8 **R-134a**



75R89662 RD-5-14656-0P
Model: 7H15SHD **Head:** KCA **Voltage:** 12v
Mount: Direct **Sanden:** 4090
Clutch: 4.7" (119mm) Poly 8 **R-134a**



KENWORTH

ON-ROAD APPLICATIONS

KENWORTH

YEAR	MODEL	DESCRIPTION	OEM PART #	FACTORY #	RedDOT #
------	-------	-------------	------------	-----------	----------

KENWORTH

CONDENSER

1988-96	T300	Grilldenser, Non Functional, Aluminum Finish	K137-300-1	RD-4-5226-4P	77R8301
1992-95	T800	Radiator Mount	K122-102, RD4-4300-0	RD-4-4300-0P	77R6945
1994-98	W900B	Radiator Mount	K122-121, RD4-4403-1	RD-4-4403-1P	77R6960
1995-00	T300	Radiator Mount	K122-128	RD-4-4613-1P	77R6955
1995-00	T400, T450, T470, T500, T600, T600A, T600B	Radiator Mount	K122-125	RD-5-12488-0P	77R6957
1996-06	T400, T602, T603	Grilldenser, Non Functional, Aluminum Finish	K137-299-1, RD4-5190-0	RD-4-5190-4P	77R6970
1996-06	T400, T602, T603	Grilldenser, Non Functional, Black Finish	K137-299-2	RD-4-5190-5P	77R6975
1996-08	T2000	Radiator Mount	486684-5008, 1514022	RD-4-6560-0P	77R6985
1996-11	T800, W900B	Condenser Parallel Flow	K122-143	RD-4-7534-0P	77R8425
2008-12	T700, T800, T2000	Radiator Mount	N4778001, M3611002, R0440001	RD-4-7081-0P	77R8305
2008-12	T300, T660, W900	Condenser	N4783001	RD-4-7362-0P	77R8330
2011-14	C500, W900, T370	Radiator Mount	R0337001	RD-4-7353-0P	77R8310
2013	T680	Condenser	29206001	RD-4-7551-0P	77R8465

77R6945 RD-4-4300-0P

Grilldenser Coil Type
Overall Width: 41 3/4"
Fin Width: 37"
Height: 29"
Thickness: 7/8"



77R6955 RD-4-4613-1P

Grilldenser Coil Type
Overall Width: 32 1/4"
Fin Width: 30"
Height: 17 5/8"
Thickness: 1 3/8"



77R6957 RD-5-12488-0P

Grilldenser Coil Type
Overall Width: 32 1/2"
Fin Width: 28 1/2"
Height: 20 7/8"
Thickness: 3/4"



77R6960 RD-4-4403-1P

Grilldenser Coil Type
Overall Width: 43 1/2"
Fin Width: 41"
Height: 36 1/4"
Thickness: 1 3/16"



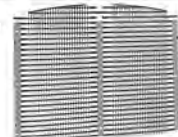
77R6970 RD-4-5190-4P

Nonfunctional Grill
Overall Width: 35 1/2"
Fin Width: 32 15/16"
Height: 27 3/8"
Thickness: 1/2"



77R6975 RD-4-5190-5P

Nonfunctional Grill
Overall Width: 35 1/2"
Fin Width: 32 15/16"
Height: 27 3/8"
Thickness: 1/2"



77R6985 RD-4-6560-0P

Grilldenser Type
Overall Width with brackets: 35 5/8"
Fin Width: 32"
Height: 24 3/8"
Thickness: 5/8"



77R8301 RD-4-5226-4P

Grilldenser Coil Type
Overall Width: 41 3/8"
Fin Width: 37"
Height: 22"
Thickness: 1/2"



77R8305 RD-4-7081-0P

Overall Width: 34"
Fin Width: 33"
Height: 22"
Thickness: 1/2"



77R8310 RD-4-7353-0P

Overall Width: 35"
Fin Width: 31 3/8"
Height: 20"
Thickness: 1/2"



77R8330 RD-4-7362-0P

Overall Width: 32 3/4"
Fin Width: 26"
Height: 20"
Thickness: 1/2"



77R8465 RD-4-7496-0P

Overall Width: 29 1/2"
Fin Width: 26"
Height: 26 1/2"
Thickness: 3/4"



EVAPORATOR

1987-95	13-210 Mid Ranger	Evaporator Coil	NA11450, NA1145	RD-2-1510-0P	76R5000
1995-14	C500, T300, T600, T800, W900	Evaporator Coil	NA10900, NA1090, 151328, NA10050, NA1005	RD-2-2502-0P	76R6960
1996-03	C500	Evaporator Coil	NA10050, NA1005, 151280	RD-2-2502-0P	76R6960

76R5000 RD-2-1510-0P

5 1/4" high x 12 1/4" long x 3" wide



76R6960 RD-2-2502-0P

8" high x 12 1/4" long x 3 1/2" wide



YEAR	MODEL	DESCRIPTION	OEM PART #	FACTORY #	RedDOT #
------	-------	-------------	------------	-----------	----------

KENWORTH

EXPANSION VALVE

	All with OEM Part No.	Right Angle, Flare, with Capillary, with Equalizer	EA10050, EA1005, RD4126-1	RD-4126-1P	71R8050
	All with OEM Part No.	Right Angle, O Ring, with Capillary, with Equalizer	EA10200, EA1020, RD5-3824-1	RD-5-3824-1P	71R8100
1976-09	C500	Block, #6 #10 #8 #8, with Mounting Holes 1.5 ton	EA10650, EA1065, 404098	RD-5-6868-1P	71R8301
1980-15	C500	Sleeper Unit, Standard Block Valve, 1 1/2 ton	EA10660, 1-2467Q, 58294P, 58590P	RD-5-14084-0P	71R8461
1981-95	C500	Right Angle, O Ring, with Capillary, with Equalizer	EA10200, EA1020, 1-1845Q, 404073, 56380, EA12300, EA1230, RD-5-3824-1P 576270		71R8100
1982-07	K100, K100C, K100E	Block, #6 #10 #8 #8, with Mounting Holes	EA10650, EA1065, RD4157-0, 404098, D2953-5350	RD-5-6868-1P	71R8301
1986-07	All with OEM Part No.	Block, #6 #10 #8 #8, with Mounting Holes	EA10650, EA1065, 540031	RD-5-6868-1P	71R8301
1995-08	C500, T300, T400, T600, T800, W900	Block, #6 #10 #8 #8, with Mounting Holes	EA10650, EA1065, 540031, 404098, EA1210	RD-5-6868-1P	71R8301
1996-10	T2000	Block, #6 #10 #8 #8, Flange Mount	540056	RD-5-7179-0P	71R8420
1996-10	T2000	Block, #6 #10 #8 #8, Flange Mount, with M10 & M12 Schrader	540057	RD-5-8936-0P	71R8430
2007-11	C500, T270-T470, W900	Block, M10, M12 ports 2 ton	540446BSM	RD-5-9935-0P	71R8450
2015	CT500, T400, T470, T660, T800, W900	Stat o Seal type, 2 Ton	31-31391, 1000534258BSM	RD-5-16206-0P	71R8483

71R8050 RD-4126-1P




External Equalizer
Inlet: #6 (3/8") Male Flare
Outlet: #8 (1/2") Male Flare
 Equalizer Tube
Length: 18"
Nut: 1/4" Female Flare
Capillary Tube Length: 18"
Rating: 1 1/2 Ton

71R8100 RD-5-3824-1P



External Equalizer
Inlet: #6 (1/2") Male O-Ring
Outlet: #8 (1/2") Male O-Ring
 Equalizer Tube
Length: 13"
Nut: 1/4" Female O-Ring
Capillary Tube Length: 13"
Rating: 1 1/2 Ton

71R8301 RD-5-6868-0P



Inlet: #6 (3/8") Female O-Ring
Outlet: #10 (3/8") Female O-Ring
 Evaporator Fittings
In: #8 (1/2") Female O-Ring
Out: #8 (1/2") Female O-Ring
Superheat Rating: 5°F
Pressure Limit: 80 psig @40°F

71R8420 RD-5-7179-0P



Inlet: #6 Plate (Flange) Mount
Outlet: #10 Plate (Flange) Mount
 Evaporator Fittings
In: #8 Plate (Flange) Mount
Out: #8 Plate (Flange) Mount
Superheat Rating: 8.5°F
Pressure Limit: 53.5 psig @90°F

71R8430 RD-5-8936-0P



With Schrader Port (2-ton)
Inlet: #6 (3/8") Plate (Flange) Mount
Outlet: #10 (3/8") Plate (Flange) Mount
 Evaporator Fittings
In: #8 (1/2") Plate (Flange) Mount
Out: #8 (1/2") Plate (Flange) Mount
Superheat Rating: 8.5°F
Pressure Limit: 53.5 psig @90°F

71R8450 RD-5-9935-0P



With Schrader Port (2-ton)
Inlet: #6 (3/8") Female O-Ring
Outlet: #10 (3/8") Female O-Ring
 Evaporator Fittings
In: #8 (1/2") Female O-Ring
Out: #10 (3/8") Female O-Ring
Superheat Rating: 8°F
Pressure Limit: 53.5 psig @75°F

71R8461 RD-5-14084-0P



2-Ton
Inlet: #6 (3/8") Female O-Ring
Outlet: #12 (5/8") Female O-Ring
 Evaporator Fittings
In: #8 (1/2") Female O-Ring
Out: #8 (1/2") Female O-Ring

71R8483 RD-5-16206-0P



With Schrader Port (2-ton HiCap)
Inlet: #6 (3/8") Plate (Flange)
Outlet: #8 (1/2") Plate (Flange)
 Evaporator Fittings
In: #10 (3/8") Plate (Flange)
Out: #8 (1/2") Plate (Flange)

ON-ROAD APPLICATIONS

KENWORTH

YEAR	MODEL	DESCRIPTION	OEM PART #	FACTORY #	RedDOT #
KENWORTH					
PRESSURE SWITCH					
1981-07	C500, K100, T400	Switch, Pressure, High, NC	18-03835, 79PSL2	RD-5-8220-0P	71R6180
1981-08	C500, K100, T400, T450, T470, T500, T600, T600A, T600B, T602, T603, T660, T700, T800, T800B, T800H, T800W, W901	Fan Override switch (gray) M10 NC	P93CAA-3606-01, K301-370-1	RD-5-5877-0P	71R6060
1989-99	C500, W900B, T2000, T270, T300, T370, T400, T450, T470, T500, T600, T600A, T600B, T602, T603, T660, T700, T800, T800B, T800H, T800W, K100E	Switch, Pressure, Trinary, NO	BC10050, BC1005, RD5-4585-0	RD-5-4585-0P	71R7500
1989-99	C500, W900B, T2000, T270, T300, T370, T400, T450, T470, T500, T600, T600A, T600B, T602, T603, T660, T700, T800, T800B, T800H, T800W, K100E	Switch, Pressure, Trinary, NC	BA12650, BA1265, RD5-4620-0	RD-5-4620-0P	71R7600
1989-99	C500, W900B, T2000, T270, T300, T370, T400, T450, T470, T500, T600, T600A, T600B, T602, T603, T660, T700, T800, T800B, T800H, T800W, K100E	Switch, Pressure, High, NC	BB10250, BB1025, 867559	RD-5-5873-0P	71R6070
1998-07	T2000	Switch, Pressure, High, NC w M10 port	650697BSM	RD-5-8220-0P	71R6180
2006-08	C500, K100, T400, T450, T470, T500, T600, T600A, T600B, T602, T603, T660, T700, T800, T800B, T800H, T800W, W900	Dual function (Brown) M10, NC, 330-370psi	79PSD4-1, K301-370-1	RD-5-13233-0P	71R7073
All	All with OEM Part No.	ECM, APADS Controller	8042105	RD-5-10352-0P	71R6565
All	All with OEM Part No.	Switch, Pressure, APADS, High, NC	8040279P, 8040135P, 8040135	RD-5-9990-0P	71R6400
All	All with OEM Part No.	Switch, Pressure, APADS, Low, NC	8040136P, 8040152P, 8040152	RD-5-9991-0P	71R6405

71R6060 RD-5-5877-0P

Type: Low Side –
Fitting / Connector: ¼" female flare
Normally Open – Closes at 42 PSI – Opens at 11 PSI



71R6070 RD-5-5873-0P

Type: High Side
Fitting / Connector: ¼" female flare
Normally Closed – Closes at 210 PSI –
Opens at 340 PSI



71R6180 RD-5-8220-0P

Type: High Side – Purple
Fitting / Connector: M10 x 1.25 female – integral
two-prong (oval)
Normally Closed – Closes at 180-240 PSI –
Opens at 330-370 PSI Plug: Packard #12052643



71R6400 RD-5-9990-0P



71R6405 RD-5-9991-0P



71R6565 RD-5-10352-0P

Detroit Series 60 engine



71R7073 RD-5-13233-0P

Binary Switch, NC

OPEN	CLOSED
330-370 psi	180-240 psi

10MM Female
OE Part Number: K301-370-1
Kenworth 2006-2008 T400 thru T800 Binary Switch
M10 (brown)



71R7500 RD-5-4585-0P

¾" - 24 UNF-2A
Male thread with bulkhead
seal, 2-012 O-Ring
Shutter/fan switch is
normally open



71R7600 RD-5-4620-0P

¾" - 24 UNF-2A
Male thread with bulkhead
seal, 2-012 O-Ring
Shutter/fan switch is
normally closed



YEAR	MODEL	DESCRIPTION	OEM PART #	FACTORY #	RedDOT #
------	-------	-------------	------------	-----------	----------

KENWORTH

RECEIVER DRIER

1994-02	C500, K100, T400, T450, T600, T800, W900B	3"x10", Quick Connect in, Quick Connect out, Side Glass, Moisture Indicator	JA20350, JA2035, PH088341-00	RD-5-10729-1P	74R3318
1994-07	C500, K100, T400, T450, T600, T800, W900B	3"x10", #6FOR in, #6MOR out, Side Glass, Moisture Indicator	GD11350, GD1135, K251-571, RD5-8254-0, F37-1003	RD-5-11184-0P	74R3357
1996-10	T2000	3"x10 11/16", Slimline Manifold Block	JA22250, JA2225, F37-6000C	RD-5-10434-1P	74R2002
2013-14	C500, K100, W900, T680	Drier with PAD mount fittings	F37-1017-100, F37-1022-100	RD-5-15703-0P	74R4219

74R2002 RD-5-10434-1P

3" diameter x 10 11/16" long
Flange Type
Slimline Manifold Block
High Capacity



74R3357 RD-5-11184-0P

Includes Moisture Indicator
3" diameter x 10" long
#6 Female O-Ring Inlet
#6 Male O-Ring Outlet
High Capacity



RELAY

1986-10	All with OEM Part No.	Relay, Blower, Twin Temp, 12V, 10A, Socket Mount, 8 Terminal	CB10250, CB1025, RD4370-0	RD-4370-0P	71R1652
1986-10	T2000	Relay, Blower, 12V, 20/30A, Tab Mount, 5 Terminals	CB11150, CB1115	RD-5-4408-0P	71R1702
1986-10	All with OEM Part No.	Relay, Blower, 12V, 20/30A, Tab Mount, 5 Terminals	CB11150, CB1115, 652420	RD-5-4408-0P	71R1702
1986-10	All with OEM Part No.	Relay, Blower, 24V, 20/30A, Tab Mount, 5 Terminal	CB10750, CB1075, RD5-4417-0	RD-5-4417-0P	71R1704
1986-10	All with OEM Part No.	Relay, Blower, 12V, 15A, Socket Mount, 8 Terminal	CB10100, CB1010, RD5-5027-1	RD-5-5027-1P	71R1802
All	All with OEM Part No.	Relay, Blower, 12V, 20/30A, Tab Mount, 5 Terminals	CB10050, CB1005, RD5-4408-0	RD-5-4408-0P	71R1702

71R1652 RD-4370-0P

12V Relay, 8 terminal, DPDT



71R1702 RD-5-4408-0P

12V Relay, 30/20 amps, SPDT, 5 terminals Bosch type



71R1704 RD-5-4417-0P

24V Relay, 20/10 amps, Bosch type SPDT, 5 terminals



71R1802 RD-5-5027-1P

12V Relay, 15 amps, DPDT, 8 terminals



RESISTOR

1995-09	C500, K100E, T2000, T270, T300, T370, T400, T450, T470, T500, T600, T600A, T600B, T602, T603, T660, T700, T800, T800B, T800H, T800W, W900B	Resistor, Blower Speed, Bakelite Back, 3 Terminal, 3 Speed	CA10350, CA1035, 650179	RD-5-10341-0P	71R1457
---------	--	--	-------------------------	---------------	----------------

71R1457 RD-5-10341-0P

3 Terminals (1/4" blade) / 3 Speeds
Bakelite base: 3" x 1 1/4" x .10" thick - Height: 1 1/4"



ON-ROAD APPLICATIONS

KENWORTH

















YEAR	MODEL	DESCRIPTION	OEM PART #	FACTORY #	RedDOT #
KENWORTH					
SWITCH					
1976-01	Conventional	Valve, Solenoid, 12V, #6 MOR	CD1000, RD4188-0	RD-4188-0P	71R9002
1976-01	All with OEM Part No.	Solenoid, 12V, Fan Clutch Air Control	BA12450, BA1245, RD5-0060-0	RD-5-0060-0P	72R1502
1976-01	All with OEM Part No.	Switch, Air, Push Button, Chrome	BA12350, BA1235, RD5-3827-4	RD-5-3827-4P	72R0240
1981-00	C500, K100E, W900B, T2000, T270, T300, T370, T400, T450, T470, T500, T600, T600A, T600B, T602, T603, T660, T700, T800, T800B, T800H, T800W	Switch, Micro, 3 Terminal, with Arm	BA10800, BA1080, 652100	RD-5-10590-0P	71R1620
1981-97	C500, K100, T400, T450, T470, T500, T600, T600A, T600B, T602, T603, T660, T700, T800, T800B, T800H, T800W, W900B	Circuit Breaker, 30A, Push Button Reset	CC10200, CC1020, K1110-0552-30	RD-5-5874-0P	71R1300
1986-00	C500, K100E, W900B, T2000, T270, T300, T370, T400, T450, T470, T500, T600, T600A, T600B, T602, T603, T660, T700, T800, T800B, T800H, T800W	Switch, Bent Lever, 5 Terminal	BA10050, BA1005, 652090	RD-5-10056-0P	71R0453
1996-05	T2000	Circuit Breaker, 15A, Push Button Reset	CC10150, CC1015, K1110-0548-15	RD-5-6602-0P	71R1310
1996-05	T2000	Circuit Breaker, 20A, Push Button Reset	K1110-0548-20	RD-5-6714-0P	71R1315
1996-07	C500, K100E, W900B, T2000, T270, T300, T370, T400, T450, T470, T500, T600, T600A, T600B, T602, T603, T660, T700, T800, T800B, T800H, T800W	Switch, Rotary, 3 Speed, Long Shaft, 5 Terminal	BA10650, BA1065, FG1005, 651690	RD-5-3646-0P	71R1150
1996-08	C500, K100E, W900B, T2000, T270, T300, T370, T400, T450, T470, T500, T600, T600A, T600B, T602, T603, T660, T700, T800, T800B, T800H, T800W	Switch, Micro, 2 Terminal, with Arm	BA10800, BA1080, BA1045	RD-5-8490-0P	71R1610
2006	T300	Switch, Rotary, 3 Speed, Long Shaft, 5 Terminal	BA13900, BA1390, 650657	RD-5-3646-0P	71R1150
All	C500, W900	Switch, Rocker, 3 Terminal	BA12950, BA1295, RD-4151-1	RD-4151-1P	71R0500
All	All with OEM Part No.	Switch, Rocker, 5 Terminal	BA12600, BA1260, RD-4151-2	RD-4151-2P	71R0550
All	All with OEM Part No.	Switch, Rocker, 6 Terminal	BA10400, BA1040, RD-4151-4, K301-19	RD-4151-4P	71R0600
All	C500, K100, W900, W900B, W900L	Switch, Toggle, 3 Terminal	BE10250, BE1025, RD-4225-1, K301-89	RD-4225-1P	71R0150
All	All with OEM Part No.	Switch, Rocker, 5 Terminal	BE10050BE1005, RD-4225-2	RD-4225-2P	71R0300
All	All with OEM Part No.	Switch, Rocker, 5 Terminal	BA10300, BA1030, 223183, RD5-3599-0P	RD-5-3599-0P	71R0250

SWITCH CONTINUED ON NEXT PAGE

YEAR	MODEL	DESCRIPTION	OEM PART #	FACTORY #	RedDOT #
------	-------	-------------	------------	-----------	----------





KENWORTH

SWITCH

71R0150  RD-4225-1P SPDT Type Safety Toggle Function: ON - OFF - ON 3 Terminals	71R0250  RD-5-3599-0P DPDT Type Black Toggle Function: ON - OFF - ON 5 Terminals	71R0300  RD-4225-2P DPDT Type Safety Toggle Function: ON - OFF - ON 5 Terminals	71R0453  RD-5-10056-0P SPST Type with Bent Lever Uses 71R4030 knob OFF - ON - ON - ON 5 Terminals
71R0500  RD-4151-1P SPDT Type Function: On-Off-On 3 Terminals 12VDC, 15 amps	71R0550  RD-4151-2P DPDT Type with Jumper Function: On-Off-On 5 Terminals 12VDC, 15 amps	71R0600  RD-4151-4P DPDT Type Function: On-Off-On 6 Terminals	71R1150  RD-5-3646-0P 3 speed, Long Shaft DP3T 4-position 5 terminals 25 amps Mounting hole: .442" x .385" - "D" hole
71R1300  RD-5-5874-0P Current Rating: 30 amp Maximum operating voltage: 50VDC @250VAC Terminal: ¼" blade Dimensions: 1 ¾" x 1 ¾" x ¾" Mounting: ¼", 28 thread	71R1310  RD-5-6602-0P Current Rating: 15 amp Maximum operating voltage: 50VDC @250VAC Terminal: ¼" blade Dimensions: 1 ¾" x 1 ¾" x ¾" Mounting: ¼", 28 thread	71R1315  RD-5-6714-0P Current Rating: 20 amp Maximum operating voltage: 50VDC @250VAC Terminal: ¼" blade Dimensions: 1 ¾" x 1 ¾" x ¾" Mounting: ¼", 28 thread	71R1610  RD-5-8490-0P 8 amp, 12 volt, SPDT, 2 terminals Normally Open, Base: 1 ¼" x ¾" x ¾"
71R1620  RD-5-10590-0P 15 amp, 12 volt, DPDT, 3 terminals	71R9002  RD-4188-0P #6 Male O-Ring Fitting 12 volt	72R0240  RD-5-3827-4P Chrome Push Button Momentary Off/ Maintain On	72R1502  RD-5-0060-0P 12 VDC - Draws .65 AMPS

THERMOSTAT

1986-02	K100E	Fixed, 24" Probe	BD11050, BD1105, 589490	RD-5-4531-24P	71R3200
1987-96	13-210 Mid Ranger	Fixed, 24" Probe	BD10750, BD1075, RD4427-24	RD-4427-24P	71R3100
1987-96	13-210 Mid Ranger	Fixed, 24" Probe	BD11050, BD1105, 404145	RD-5-4531-24P	71R3200
1991-08	C500, T300, T600, T800, W900	Fixed, 12" Probe	BD13550, BD1355, 650163BSM	RD-5-8938-0P	71R3160
1996-10	T2000	Fixed, 12" Probe	BD13550, BD1355, RD5-8938-0, 650163BSM	RD-5-8938-0P	71R3160
All	All with OEM Part No.	Adjustable, 48" Capillary	BD10350, BD1035, BD1025, 1-4185Q, 404082	RD-4125-48P	71R2300

71R2300  RD-4125-48P Capillary Length: 48" Type: Variable Temp. Range: 34°- 52°F Clutch Cycle Range: 5°F	71R3100  RD-4-4272-4P Mounting hole spacing: 2 ¼" Capillary Length: 24" Type: Fixed Temp. Range: 34°- 38°F Clutch Cycle Range: 5°F	71R3160  RD-5-8938-0P Capillary Length: 12" Type: Fixed Temp. Range: 31°- 40°F Clutch Cycle Range: 8°F	71R3200  RD-5-4531-24P Mounting hole spacing: 2 ¼" Capillary Length: 24" Type: Fixed (side mount) Temp. Range: 31°- 39°F Clutch Cycle Range: 8°F
--	---	--	---

ON-ROAD APPLICATIONS

KENWORTH

YEAR	MODEL	DESCRIPTION	OEM PART #	FACTORY #	RedDOT #
------	-------	-------------	------------	-----------	----------

KENWORTH

WATER VALVE

	All with OEM Part No.	Cable Controlled, 5/8" Hose, STR-STR, Pull to Open	MA10600, MA1060, MA1115, 1-1574Q, RD5-5119-0	RD-5-5119-0P	72R5060
	All with OEM Part No.	Cable Controlled, 5/8" Hose, STR-STR, Pull to Close	MA11000, MA1100, RD-5-5300-0	RD-5-5300-0P	72R5200
	All with OEM Part No.	Cable Controlled, 5/8" Hose, STR-90°, Pull to Open	MA12850, MA1285, RD5-5495-1	RD-5-5495-1P	72R5260
	All with OEM Part No.	Air Controlled, 3/4" Hose, 90°	MA10500, MA1050, RD5-4797-0, RD5-8859-0	RD-5-8859-0P	72R6410
1983-00	All with OEM Part No.	Cable Controlled, 5/8" Hose, STR-STR, Pull to Open	MA12750, MA1275, RD4257-0	RD-4257-0P	72R5050
1983-00	All with OEM Part No.	Cable Controlled, 5/8" Hose, STR-STR, Pull to Open	MA10650, MA1065, RD5-4923-0	RD-5-4923-0P	72R5040
1983-02	All with OEM Part No.	Cable Controlled, 5/8" to 3/4" Hose, STR-STR, Pull to Open	MA1345, DA1020, RD5-3877-0	RD-5-8034-0P	72R5110
1987-00	All with OEM Part No.	Air Controlled, 5/8" Hose, Offset	MA10850, MA1085, RD5-5138-0	RD-5-8857-1P	72R6421
1987-02	All with OEM Part No.	Air Controlled, 5/8" Hose, 90°	MA10200, MA1020, RD5-4800-0, RD5-8804-0, K295-193	RD-5-8804-0P	72R6400

72R5040 RD-5-4923-0P

3/4" hose to 3/4" hose



72R5050 RD-4257-0P

5/8" hose to 5/8" hose



72R5060 RD-5-5119-0P

3/4" hose to 3/4" hose



72R5110 RD-5-8034-0P

3/4" Hose To 3/4" Hose
Pull To Open



72R5200 RD-5-5300-0P

3/4" Hose to 3/4" Hose
Pull To Close



72R5260 RD-5-5495-1P

3/4" Hose to 3/4" Hose
90° Elbow*
Pull To Open



72R6400 RD-5-8804-0P

3/4" Hose to 3/4" Hose



72R6410 RD-5-8859-0P

3/4" Hose to 3/4" Hose



72R6421 RD-5-8857-1P

3/4" Hose to 3/4" Hose



YEAR	MODEL	DESCRIPTION	OEM PART #	FACTORY #	RedDOT #
------	-------	-------------	------------	-----------	----------

MACK

ACTUATOR

	All with OEM Part No.	Single action air cylinder, 3/4" diameter, 3 1/4" length	4379-RD32671	RD-3267-1P	72R1100
	All with OEM Part No.	Actuator, Air, Single Action	4379-RD554144	RD-5-5414-4P	72R1200
	All with OEM Part No.	Actuator, Air, Double Acting	4379-RD554241	RD-5-5424-1P	72R1300
	All with OEM Part No.	Actuator, Air, Single Action	4379-RD557845	RD-5-5784-5P	72R1210
2007-08	MR (Oscar)	Universal, 12v/24v, 4 pin Deutz Connector, 104° Max Travel	4379-RD5118620	RD-5-12450-1P	71R3583

71R3583 RD-5-12450-1P

Universal, 12 or 24 Volt
4-pin Deutz
sealed connection
104° maximum
travel



72R1100 RD-3267-1P

.75" Dia x 3.25" Long - 1.02" Stroke - Brass



72R1200 RD-5-5414-4P

.625" Dia x 3.69" Long - 1.10" Stroke - Plastic



72R1210 RD-5-5784-5P

.625" Dia x 3.69" Long - 1.10" Stroke - Plastic



72R1300 RD-5-5424-1P

.69" Dia x 4.74" Long - 0.5" Stroke - Plastic



BLOWER MOTOR

	All with OEM Part No.	Motor, 12V, CW, 1 Speed, Single 5/16" Shaft, with Mounting Studs	7979-275130	RD-5-10905-0P	73R0442
	All with OEM Part No.	Heater blower motor, 1 speed, CW, 4" length	4379-RD556340	RD-5-5634-1P	73R0922
	All with OEM Part No.	Motor, 12V, CW, 1 Speed, Single 5/16" Shaft, with Mounting Studs	7979-274070	RD-5-9100-0P	73R0462
1975-81	F	Motor, 12V, 1 Speed, Double 5/16" Shaft, with Mounting Studs	2790-275140	RD-5-5121-0P	73R4252
1975-93	R, U, DM Conventional	Heater Only (Flanged Motor)(Evans) Black		RD-5-10053-0P	73R2262
1979-01	MS Midliner	Motor, 12V, 1 Speed, Double 5/16" Shaft, with Mounting Studs	275102-060	RD-5-5614-0P	73R4062
1979-86	All with OEM Part No.	Motor, 12V, CCW, 1 Speed, Single 5/16" Shaft, with Mounting Studs	4379-RD310618	RD-3106-18P	73R0202
1981-85	R, RL, RS, RW, U, DM	with Kysor Mini-Brute Combo A/C, heater blower motor, 1 speed, CW, 4" length	2790-275160	RD-5-5634-1P	73R0922
1981-86	All with OEM Part No.	Motor, 12V, CCW, 2 Speed, Single 5/16" Shaft, with Mounting Studs	4379-RD310613	RD-3106-13P	73R0602
1981-86	WL, WS	Motor, 12V, CW, 1 Speed, Single 5/16" Shaft, with Mounting Studs	4379-RD565260	RD-5-6526-0P	73R0422
1985-91	Conventional	Motor, 12V, 1 Speed, Double 5/16" Shaft, with Mounting Studs	HA1700	RD-5-6531-0P	73R0322
1986-93	All with OEM Part No.	Motor, 1 speed, CW, 4" length, Sleeper Series (C.O.E.) with Bunk Blower	4379-RD556341	RD-5-5634-1P	73R0922
1986-93	C.O.E., Conventional	Motor, 12V, 1 Speed, Double 5/16" Shaft, with Mounting Studs	HA1175, 203174, 203178	RD-5-6531-0P	73R0322
1986-94	MH Ultraliner	Motor, 12V, CW, 1 Speed, Single 5/16" Shaft, with Mounting Studs	4379-RD555120	RD-5-5512-0P	73R0912
1986-96	CS Midliner	Motor, 12V, 1 Speed, Double 5/16" Shaft, with Mounting Studs	7979-275102	RD-5-5614-0P	73R4062
1986-96	C.O.E.	Motor, 12V, 1 Speed, Double 5/16" Shaft, with Mounting Studs	4379-RD554350	RD-5-6531-0P	73R0322
1987-93	R, U, DM Conventional	Motor, 12V, CW, 1 Speed, Single 5/16" Shaft, with Mounting Studs	4379-RD537530, 4379-RD565260	RD-5-6526-0P	73R0422
1987-94	All with OEM Part No.	Motor, 12V, CCW, 1 Speed, Single 5/16" Shaft, with Mounting Studs	4379-RD565261	RD-5-6526-1P	73R0402
1988-00	CH, CL	Sleeper Unit, heater blower motor, 1 speed, CW, 4" length	4379-RD591020	RD-5-5634-1P	73R0922
1988-02	CH	Red Dot A/C, single shaft, CCW, 4 13/32" length	4379-RD582030	RD-5-8203-0P	73R0962
1988-93	CS Midliner Conv	Motor, 12V, CCW, 1 Speed, Single 5/16" Shaft, with Mounting Studs, RFI Shielded	HA1060, 4379-RD582040	RD-5-8204-0P	73R0432
1988-97	CM	Main unit with single shaft, 4 7/8" length	HA1695, 4379-RD559070	RD-5-5120-0P	73R0512
1990-02	CS Midliner Conv	Motor, 12V, 1 Speed, Double 5/16" Shaft, with Mounting Studs	4379-RD551210	RD-5-5121-0P	73R4252
1993-00	LE	Main unit	4379-RD552692	RD-5-5269-2P	73R0622
1995-02	All with OEM Part No.	Sleeper Series with Red Dot Model R-4230/R-4240	4379-RD582030	RD-5-8203-0P	73R0962
1999-00	CX, Vision	Motor, 12V, CW, 1 Speed, Single 5/16" Shaft, with Mounting Studs	4379-RD591000	RD-5-9100-0P	73R0462
2000-08	CX, Vision	Main Unit Bergstrom system	7787-869445	RD-5-12551-0P	73R3102
2007-08	MR (Oscar)	2RD570M2, M3 Unit with heater only, Unit with Heater A/C, 12V double blower motor only	4379-RD5123580	RD-5-12358-0P	RD-5-12358-0P
2007-08	MR (Oscar)	2RD570M Unit with Heater A/C, 12V blower motor assy	RD 5 8837 0	RD-5-8837-0P	73R5532

BLOWER MOTOR CONTINUED ON NEXT PAGE

ON-ROAD APPLICATIONS

MACK

YEAR	MODEL	DESCRIPTION	OEM PART #	FACTORY #	RedDOT #
------	-------	-------------	------------	-----------	----------

MACK

BLOWER MOTOR

73R0202 RD-3106-18P

Single Speed
12 Volt
Rotates CCW
Field Wound Motor
Stud Mounted, Span 2 5/16"
Dimensions: 3 7/8" x 3" x 3"
Shaft: 5/16" diameter, Length: 1 7/8"
Non Vented
Connector: One conductor, 14 gauge



73R0322 RD-5-6531-0P

Single Speed
12 Volt
Rotates Clockwise
Permanent Magnet Motor
Stud Mounted, Span 2 5/16"
Dimensions: 4 1/2" x 3 7/8" x 3"
Shaft: 7/16" diameter, Length: 1 1/2"
Vented - RFI
Connector: Two conductor Packard



73R0402 RD-5-6526-1P

Single Speed
12 Volt
Rotates CCW
Permanent Magnet Motor
Stud Mounted, Span 2 5/16"
Dimensions: 5" x 4" x 3"
Shaft: 5/16" diameter, Length: 1 5/8"
Vented
Connector: Two conductor Packard #2984528, 2971859



73R0422 RD-5-6526-0P

Single Speed
12 Volt
Rotates CW
Permanent Magnet Motor
Strap/Stud Mounted, Span 2 5/16"
Dimensions: 4 3/4" x 4" x 3"
Shaft: 5/16" diameter, Length: 1 5/8"
Vented
Connector: Two conductor Packard #2984528, 2971859



73R0432 RD-5-8204-0P

Single Speed
12 Volt
Rotates CCW
Permanent Magnet Motor
Strap/Stud Mounted, Span 2 5/16"
Dimensions: 4 3/4" x 4" x 3"
Shaft: 5/16" diameter, Length: 1 7/8"
Vented - RFI
Connector: Two conductor Packard #12034343



73R0442 RD-5-10905-0P

Single Speed
12 Volt
Rotates CW
Permanent Magnet Motor
Stud Mounted, Span 2 5/16"
Dimensions: 4 3/8" x 4 1/4" x 3"
Shaft: 5/16" diameter, Length: 1 3/4"
Vented
Connector: Two conductor Packard 1/4" blade terminal #2973781



73R0462 RD-5-9100-0P

Single Speed
12 Volt
Rotates CW
Permanent Magnet Motor
Stud Mounted, Span 2 5/16"
Dimensions: 5" x 4 1/4" x 3"
Shaft: 5/16" diameter, Length: 1 1/2"
Vented
Connector: Two conductor Packard #2984528, 2971859



73R0512 RD-5-5120-0P

Single Speed
12 Volt
Rotates CW
Permanent Magnet Motor
Strap/Stud Mounted, Span 2 5/16"
Dimensions: 4 7/8" x 4" x 3"
Shaft: 5/16" diameter, Length: 1 1/8"
Non Vented
Connector: Two conductor Packard 1/4" blade terminal



73R0602 RD-3106-13P

Two Speed
12 Volt
Rotates CCW
Field Wound Motor
Stud Mounted, Span 2 5/16"
Dimensions: 4 1/4" x 3 13/16" x 3"
Shaft: 5/16" diameter, Length: 1 1/2"
Vented
Connector: Two conductor, orange-high, red-low



73R0622 RD-5-5269-2P

Single Speed
12 Volt
Rotates CW
Permanent Magnet Motor
Stud Mounted, Span 2 5/16"
Dimensions: 4 7/8" x 4" x 3"
Shaft: 5/16" diameter, Length: 3 3/8"
Vented - RFI
Connector: Two conductor Packard #2984528



73R0912 RD-5-5512-0P

Single Speed
12 Volt
Rotates CCW
Permanent Magnet Motor
Stud Mounted, Span 2 5/16"
Dimensions: 4 3/4" x 4" x 3"
Shaft: 5/16" diameter, Shaft Length: 1 1/2"
Vented - RFI
Connector: Multiple adapters in kit



73R0922 RD-5-5634-1P

Single Speed
12 Volt
Rotates CW
Permanent Magnet Motor
Stud Mounted, Span 2 5/16"
Dimensions: 4 7/8" x 4 1/4" x 3"
Shaft: 5/16" diameter, Length: 1 5/8"
Vented
Connector: Two conductor Packard #2984528, 2971859



73R0962 RD-5-8203-0P

Single Speed
12 Volt
Rotates CCW
Permanent Magnet Motor
Stud Mounted, Span 2 5/16"
Dimensions: 4 13/16" x 4" x 3"
Shaft: 5/16" diameter, Length: 2"
Vented
Connector: Two conductor, 1/4" blade terminals Packard #2984528



73R2262 RD-5-10053-0P

Single Speed
12 Volt
Rotates Either Direction
Black Finish
Plate Mounted
Dimensions: 4 1/2" x 3 1/2" x 3"
Shaft: 5/16" diameter, Length: 1 3/4"
Plate/Flange Diameter: 6 3/4"
Vented
Connector: Metripak



73R3102 RD-5-12551-0P

Single Speed
12 Volt
Rotates CW
Permanent Magnet Motor
Strap Mount (4) 8" diameter
Dimensions: 4 3/8" x 4" x 3"
Shaft: 5/16" diameter, Length: 1 7/8"
Wheel: 7" diameter, 4" width
Connector: Mack OE#7787-869445



73R4062 RD-5-5614-0P

Single Speed
12 Volt
Permanent Magnet Motor
Strap / Stud Mounted, Span 2 5/16"
Dimensions: 4" x 3 3/8" x 3 1/8"
Shafts: 5/16" diameter, length: 3 1/4"
Vented
Connector: Two conductor Packard #2971859, 1/4" blade terminal



73R4252 RD-5-5121-0P

Single Speed
12 Volt
Permanent Magnet Motor
Strap / Stud Mounted, Span 2 5/16"
Dimensions: 4 13/16" x 4" x 3"
Shafts: 5/16" diameter, length: 3 3/8"
Vented
Connector: Two conductor Packard #8900420, 1/4" blade



73R5532 RD-5-8837-0P

Three Speed
442 CFM - 12 volt - 12 1/4" x 3 1/8" x 4 1/2"
Replacement Resistor: 71R1403



YEAR	MODEL	DESCRIPTION	OEM PART #	FACTORY #	RedDOT #
MACK					
BLOWER WHEEL					
1979-86	DM C.O.E.	CCW, Single Entry	4379-RD310614	RD-3106-39P	73R6151
1979-86	DM, DM C.O.E.	CCW, Single Entry	4379-RD31069	RD-5-8618-0P	73R6051
1979-86	R, RW, RL, RS C.O.E.	CCW, Single Entry	4379-RD31069, HC1015	RD-5-8618-0P	73R6051
1979-99	DM, DM C.O.E., DMM	CW, Single Entry	4379-RD552630	RD-5-5263-0P	73R6230
1982-00	CS, CS Midliner	Reversible, Double Entry	7979-260680	RD-5-5656-0P	73R7000
1986-94	C.O.E.	CW, Single Entry	4379-RD538001	RD-5-3800-1P	73R6251
1986-99	MC	Reversible, Double Entry	4379-RD539330	RD-5-3933-1P	73R7101
1990-02	CS, CS Midliner Conventional	Red Dot A/C with 3 5/16" double entry wheel, 3 3/4" width	4379-RD348291	RD-3-4829-1P	73R7071
1990-99	MS, MS Midliner	Reversible, Double Entry	4379-RD556560	RD-5-5656-0P	73R7000
1993-00	LE	Reversible, Double Entry	HC1300, 4379-RD325572	RD-3-2557-2P	73R7151
2000-01	CX	Main unit	4379-RD566511	RD-5-6651-1P	73R6381

73R6051 RD-5-8618-0P

5 1/4" diameter, 3 1/2" width
 5/16" bore diameter
 Hub inset: 3/4"
 CCW Rotation
 Steel



73R6151 RD-3106-39P

5 3/4" diameter, 2 1/2" width
 5/16" bore diameter
 Hub inset: 7/8"
 CCW Rotation
 Steel



73R6230 RD-5-5263-0P

5 1/4" diameter, 3 1/2" width
 5/16" bore diameter
 Hub inset: 3/4"
 CW Rotation
 Steel



73R6251 RD-5-3800-1P

5 1/4" diameter, 3 7/16" width
 5/16" bore diameter
 Hub inset: Flat
 CW Rotation
 Steel



73R6381 RD-5-6651-1P

5 3/4" diameter, 3 1/4" width
 5/16" bore diameter
 Hub inset: 7/8"
 CW Rotation
 Steel



73R7000 RD-5-5656-0P

3 3/16" diameter, 3 13/16" width
 5/16" bore diameter
 Hub inset: 1 1/8"
 Dual Rotation
 Plastic



73R7071 RD-3-4829-1P

3 3/16" diameter, 3 3/4" width
 5/16" bore diameter
 Hub inset: 1 13/16"
 Dual Rotation
 Steel



73R7101 RD-5-3933-1P

3 1/4" diameter, 3 1/4" width
 5/16" bore diameter
 Hub inset: 1 1/8"
 Dual Rotation
 Steel



73R7151 RD-3-2557-2P

5 1/4" diameter, 3 3/4" width
 5/16" bore diameter
 Hub inset: 1 7/8"
 Dual Rotation
 Steel



MACK

ON-ROAD APPLICATIONS

MACK


YEAR	MODEL	DESCRIPTION	OEM PART #	FACTORY #	RedDOT #
------	-------	-------------	------------	-----------	----------

MACK

CLUTCH ASSEMBLY

All with OEM Part No.	2 groove 5 21/64" 135mm diameter pulley, 1/2" width, bullet plug	2570151, 624-19724	RD-5-11025-0P	75R0172
All with OEM Part No.	2 groove 6" diameter pulley, 1/2" width, 1 5/8" ga, bullet plug	IMX242, 7531, 332639	RD-5-4967-0P	75R0452
All with OEM Part No.	12V, 2A Groove, 6", 1 Wire	IMX240, 1MXA1280, 10884	RD-5-4972-1P	75R1202
All with OEM Part No.	1 groove, 6 3/4" diameter pulley, 1/2" width, 1 3/4" gaugeline, bullet plug	1MXA3217, 10582, 502731	RD-5-4975-0P	75R1652
All with OEM Part No.	12V, 2A Groove, 7", 1 Wire	IMX246, 7534, 332334	RD-5-4994-0P	75R4502
All with OEM Part No.	12V, 2A Groove, 132MM, 1 Wire	6574-6210, 6514-6210	RD-5-5486-0P	75R0202
All with OEM Part No.	12V, 1A Groove-Overhang, 125MM, 1 Wire	511869, 4379-RD566460	RD-5-6646-0P	75R0182

75R0172 RD-5-11025-0P
 Model: Seltec - CH
 Diameter: 5 21/64" / 135mm
 Groove: 2
 Width: 1/2"
 12 Volts
 B Dimension: 1 1/4" / 40mm



Single wire coil
 Male bullet plug

75R0182 RD-5-8382-0P
 Model: Seltec/TAMA - CH
 Diameter: 4.9" / 125mm
 Groove: 1
 Width: 1/2"
 12 Volts
 B Dimension: 2 2/16" / 62mm



Single wire coil
 Male bullet plug

75R0202 RD-5-5486-0P
 Model SDS (508, 510, 5H14)
 Diameter: 5 1/4" / 132mm
 Groove: 2
 Width: 1/2"
 12 Volts
 B Distance: 1 1/16" / 40mm



Single wire coil
 Bare wire

75R0452 RD-5-4967-0P
 Diameter: 6"
 Groove: 2
 Width: 1/2"
 12 Volts
 B Dimension: 1 5/8"



Single wire coil
 Male bullet plug

75R1202 RD-5-4972-1P
 OE #501939, MAE-6AR
 Diameter: 6"
 Groove: 2
 Width: 1/2"
 12 Volts
 B Dimension: 1 3/8"



Single wire coil with diode
 Weatherpak plug

75R1652 RD-5-4975-0P
 OE #L50-2731
 Diameter: 6 3/4"
 Groove: 1
 Width: 3/8"
 12 Volts
 B Dimension: 1 3/8"



Single wire coil
 Male bullet plug

75R4502 RD-5-4994-0P
 Diameter: 7"
 Groove: 2
 Width: 1/2"
 12 Volts
 B Dimension: 2"



Single wire coil
 Male bullet plug

COMPRESSOR

All with OEM Part No.	7H15SHD, 12V, 2A Groove, 132mm, WV head, Direct mount	4715, 4890, 85104593	RD-5-10278-0P	75R84382
All with OEM Part No.	SD7H15, 12v 2A Groove 125mm, QD head Ear mount	7803, 15653237	RD-5-10283-0P	75R83112
All with OEM Part No.	7H15HD, JDA head, direct mount, poly 8, 4.7" (119mm) diameter	4822	RD-5-10738-0P	75R84622
All with OEM Part No.	7H15SHD, 12V, PV 8 Groove, 132mm, WV head, Direct mount	4493, 4733, 4892 20501067	RD-5-11256-0P	75R81362
All with OEM Part No.	7H15SHD, 12V, PV 6 Groove, 132mm, WV head, Direct mount	4494,4757,4891, 20501069	RD-5-11257-0P	75R81372
All with OEM Part No.	7H15SHD, 12V, 2A Groove, 132mm, WV head, Ear mount	4717, 4777, 4893, 85104592	RD-5-11343-0P	75R81652
All with OEM Part No.	7H15HD direct mount, poly 6 gr. (125mm) diameter, 2 wire	206RD51M, 20514024, 4883	RD-5-12330-0P	75R81622
All with OEM Part No.	7H15SHD, WV head direct mount, poly 8, (180mm) diameter	4326E, 4326	RD-5-13248-0P	75R9612
All with OEM Part No.	SPRHD, WV head, direct mount, 8 groove, 7" (180mm) diameter	206RD53M, 4326	RD-5-13248-0P	75R9612
All with OEM Part No.	QP15HD, 12V, 2A Groove, 135MM, 1 Wire, F Head, R-12	488-25011, 4379-RD558760	RD-5-5876-1P	75R8512Q
All with OEM Part No.	QP15HD, 12V, 2A Groove, 135MM, 1 Wire, F Head, R-12	488-25077, 4379-RD570230	RD-5-7023-1P	75R8522Q
All with OEM Part No.	7H15HD, JD head, ear mount, 2 groove, 5 1/4"(132mm) diameter	206RD413M, 4639	RD-5-7088-0P	75R8382
All with OEM Part No.	7H15HD, 12V, 2A Groove, 125MM, 1 Wire, JD head	4379-RD571200, 4627	RD-5-7120-0P	75R8422
All with OEM Part No.	QP15HD, 12V, 2A Groove, 135MM, 1 Wire, D Head	488-45011, 4379-RD571450	RD-5-7145-1P	75R8612Q
All with OEM Part No.	QP15HD, 12V, 1 VAR Groove, 159MM, 1 Wire, D Head	488-45065, 4379-RD571640	RD-5-7164-1P	75R8632Q
All with OEM Part No.	7H15HD, 12V, 2A Groove, 132MM, 2 Wire, JDA head, Direct Mount	206RD49AM, 4626	RD-5-7522-0P	75R8432
All with OEM Part No.	Rotolock, LH Suction, #8 Discharge, #10 Suction, NO CLUTCH	99242-5, ER210L-25149	RD-5-8637-0P	75R7280
All with OEM Part No.	Tube-0, LH Suction, 1"-14 Discharge, 1"-14 Suction, NO CLUTCH	99244-5, ET210L-25150	RD-5-8638-0P	75R7290
All with OEM Part No.	QP15HD, 12V, 1A Groove Overhang, 125MM, 1 Wire, D Head	488-45063, 4379-RD589440	RD-5-8944-1P	75R8532Q
All with OEM Part No.	QP15HD, 12V, 2A Groove, 135MM, 1 Wire, D Head	488-45077, 4379-RD596091	RD-5-9609-10P	75R8552Q
All with OEM Part No.	Red Dot Roof Mounted A/C	4379-RD438741	RD-4-3874-1P	77R0500

CONDENSERS CONTINUED ON NEXT PAGE

YEAR	MODEL	DESCRIPTION	OEM PART #	FACTORY #	RedDOT #
------	-------	-------------	------------	-----------	----------

MACK

COMPRESSOR

75R7280 RD-5-8637-0P

Fitting: 1" - 14
Universal, Standard Duty with Super Screws, Felt Ring, PRV and Ester Oil
Supplied without clutch
No connector supplied



75R7290 RD-5-8638-0P

Fitting: 1" - 14
Universal, Standard Duty with Super Screws, Felt Ring, PRV and Ester Oil
Supplied without clutch
No connector supplied



75R81362 RD-5-11256-0P

Model: 7H15HD Head: WV Voltage: 12
Mount: Direct Sanden: 4493, 4733, 4892
Clutch: 5 1/4" (130mm) Poly 8 **R134a**



75R81372 RD-5-11257-0P

Model: 7H15HD Head: WV Voltage: 12
Mount: Direct Sanden: 4494, 4757, 4891
Clutch: 4.9" (125mm) Poly 6 **R134a**



75R81622Q RD-5-12330-1P

Model: QP-7H15 Head: JD Voltage: 12V
Mount: Direct
Clutch: 4.9" (125mm) Poly 6 **R134a**



75R81652 RD-5-11343-0P

Model: 7H15 Head: WV Voltage: 12
Mount: Ear Sanden: 4717, 4777, 4893
Clutch: 5 1/4" (132mm) A2 Groove **R134a**



75R83112 RD-5-10283-0P

Model: 7H15 Head: QD Voltage: 12
Mount: Ear Sanden: 7803
Clutch: 4.9" (125mm) A2 Groove **R-134a**



75R8382 RD-5-7088-0P

Model: 7H15 Head: JD Voltage: 12
Mount: Ear Sanden: 4509, 4510, 6664
Clutch: 5 1/4" (132mm) A2 Groove **R134a**



75R8422 RD-5-7120-0P

Model: 7H15HD Head: JD Voltage: 12
Mount: Ear Sanden: 4627
Clutch: 4.9" (125mm) A2 Groove **R134a**



75R8432 RD-5-7522-0P

Model: 7H15HD Head: JDA Voltage: 12
Mount: Direct Sanden: 4626, 4695
Clutch: 5 1/4" (132mm) A2 Groove **R134a**



75R84382 RD-5-10278-0P

Model: 7H15 Head: WV Voltage: 12
Mount: Direct Sanden: 4715, 4890
Clutch: 5 1/4" (132mm) A2 Groove **R134a**



75R84622 RD-5-10738-0P

Model: 7H15 Head: JDA Voltage: 12
Mount: Direct Sanden: 4822
Clutch: 4.7" (119mm) Poly 8 **R134a**



75R8512Q RD-5-5876-1P

Model: QP-15HD Head: F Voltage: 12V
Mount: Ear ICE: 2521121 Seltec: 488-25011
Clutch: 5 1/4" (135mm) 2 Groove **R-12**



75R8522Q RD-5-7023-1P

Model: QP-15HD Head: F Voltage: 12V
Mount: Ear ICE: 2521132 Seltec: 488-25077
Clutch: 5 1/4" (135mm) 2 Groove **R-12**



75R8532Q RD-5-8944-1P

Model: QP-15HD Head: D Voltage: 12V
Mount: Ear ICE: 2521166 Seltec: 488-45063
Clutch: 5" (125mm) 1 Groove overhang **R134a**



75R8552Q RD-5-9609-10P

Model: QP-15HD Head: D Voltage: 12V
Mount: Ear ICE: 2521301 Seltec: 488-45077
Clutch: 5 1/4" (135mm) 2 Groove **R134a**



75R8612Q RD-5-7145-1P

Model: QP-15HD Head: D Voltage: 12V
Mount: Ear ICE: 2521152 Seltec: 488-45011
Clutch: 5 1/4" (135mm) 2 Groove **R134a**



75R8632Q RD-5-7164-1P

Model: QP-15HD Head: D Voltage: 12V
Mount: Ear ICE: 2521167 Seltec: 488-45065
Clutch: 6 1/4" (159mm) Variable 1 Groove **R134a**



75R9612 RD-5-13248-0P

Model: 7H15HD Head: WV Voltage: 12V
Mount: Direct Sanden: 4326
Clutch: 7" (180mm) Poly 8 **R-134a**



MACK

ON-ROAD APPLICATIONS

MACK

YEAR	MODEL	DESCRIPTION	OEM PART #	FACTORY #	RedDOT #
MACK					
CONDENSER					
1968-80	DM Conventional	with Charge Air with Male O-Ring Fittings	4379-RD451461	RD-4-5146-1P	77R0570
1972-84	MH	Cab over	210RD46AM-R.H.	RD-4-5770-0P	77R7702
1976-05	DM, DM 600 Construction	All series with with factory A/C	210RD410M	RD-4-5763-0P	77R7706
1976-05	DM, DM 600 Construction	All series with with factory A/C	210RD410M	RD-4-5763-0P	77R7706
1976-89	R, U Conventional	All series with with factory A/C, grilldenser coil	210RD277P2	RD-4-3714-0P	77R5910
1980-89	DM Conventional	with charge air fittings, serpentine coil	210RD46AM, 4379-RD442320	RD-4-4232-0P	77R0560
1982-05	MR, MR600	All series with with factory A/C	210RD413	RD-4-5766-0P	77R7712
1983-01	CS, MS Midliner	Main unit with 12V auxillary fan	4379-RD441442	RD-4-4144-2P	77R0250
1984-95	RL, RS, RW	Condenser coil only for hood mount, grilldenser coil	210RD48	RD-4-3434-1P	77R6900
1986-03	CH, CH600 Construction	Main unit radiator mount, serpentine coil	210RD54M	RD-4-5769-0P	77R7704
1990-91	RW, RWL, RWS	with hood mount grilldenser coil	4379-RD435952	RD-4-3595-4P	77R8200
1991-93	DH, DM	All series with with factory A/C	210RD412M	RD-4-5765-0P	77R7710
1994-04	MR	All with factory A/C	210RD424	RD-4-7352-0P	77R8320
1994-98	CH	Main unit radiator mount, serpentine coil	210RD421M, 4379-RD457620	RD-4-5762-0P	77R1105
1995-00	RD, RD688S	All series with with factory A/C	210RD418	RD-4-5767-0P	77R7714
2000-07	Vision	Condenser Coil	210RD517M	RD-4-7360-0P	77R8340
2000-08	CH	Main unit radiator mount, serpentine coil	210RD411M, 4379-RD457460	RD-4-5764-0P	77R7708
2000-08	All with OEM Part No.	Condenser Coil	210RD59M	RD-4-7358-0P	77R8335
2001	CH613	Condenser	210RD510M, 25172536	RD-4-7040-0P	77R6995
2003	RD, RD688S	All series with with factory A/C	210RD422	RD-4-7351-0P	77R8315
2006	GRANITE	Condenser	210RD428	RD-4-6414-0P	RD-4-6414-0P
2008-12	CH,CL,CX	Main unit radiator mount, serpentine coil	210RD290	RD-4-6343-0P	77R0585

77R0250 RD-4-4144-2P

9 1/2" high x 26 1/2" long x 4 1/4" thick
With 12 VDC Fan, 5,800 BTU



77R0500 RD-4-3874-1P

Tube & Fin Coil Type
Radiator Mount
Overall Width: 23 3/4"
Fin Width: 20 7/8"
Height: 11 7/8"
Thickness: 1 1/8"



77R0560 RD-4-4232-0P

Serpentine Coil Type
Overall Width: 33"
Fin Width: 31 1/8"
Height: 8 1/2"
Thickness: 1 1/4"



77R0570 RD-4-5146-1P

Serpentine Coil Type
Overall Width: 32 15/16"
Fin Width: 31 13/32"
Height: 8 1/2"
Thickness: 2"



77R0585 RD-4-6343-0P

MultiFlow Coil Type
Overall Width: 32 1/2"
Fin Width: 30 3/4"
Height: 16 3/8"
Thickness: 1"



77R1105 RD-4-5762-0P

Serpentine Coil Type
Overall Width: 36 1/4"
Fin Width: 33 3/4"
Height: 11 1/8"
Thickness: 1 3/8"



77R5910 RD-4-3714-0P

Grilldenser Type
Overall Width: 37"
Fin Width: 34 1/4"
Height: 25 1/2"
Thickness: 1/4"



77R6900 RD-4-3434-1P

Grilldenser Coil Type
Overall Width: 28 3/8"
Fin Width: 26 1/2"
Height: 26"
Thickness: 3/4"



77R6995 RD-4-7040-0P

MultiFlow Type
Overall Width: 34 1/4"
Fin Width: 30 3/4"
Height: 19 5/8"
Thickness: 1"



77R7702 RD-4-5770-0P

Serpentine Coil Type
Overall Width: 33 3/4"
Fin Width: 31 13/16"
Height: 8 1/2"
Thickness: 1"



77R7704 RD-4-5769-0P

Serpentine Coil Type
Overall Width: 30"
Fin Width: 28"
Height: 28 5/8"
Thickness: 1"



77R7706 RD-4-5763-0P

Serpentine Coil Type
Overall Width: 33 3/4"
Fin Width: 31 13/16"
Height: 8 1/2"
Thickness: 1"



YEAR	MODEL	DESCRIPTION	OEM PART #	FACTORY #	RedDOT #
------	-------	-------------	------------	-----------	----------

MACK

CONDENSER

Serpentine Type
Overall Width: 39 ⁷/₁₂"
Fin Width: 37 ¹³/₂₄"
Height: 6 ⁷/₁₆"
Thickness: 1 ¹/₄"



Serpentine Coil Type
Overall Width: 36 ⁹/₁₆"
Fin Width: 34"
Height: 26 ³/₄"
Thickness: 1"



Serpentine Coil Type
Overall Width: 28 ³/₄"
Fin Width: 27 ³/₄"
Height: 9 ¹/₈"
Thickness: 3"



Serpentine Coil Type
Overall Width: 34 ¹/₂"
Fin Width: 31 ¹/₂"
Height: 23 ⁹/₃₂"
Thickness: 1"



77R8200 RD-4-3595-4P
Grilldenser Coil Type
Overall Width: 51"
Fin Width: 48"
Height: 33 ¹/₄"
Thickness: ³/₄"



77R8315 RD-4-7351-0P
Overall Width: 34"
Fin Width: 31"
Height: 23 1/4"
Thickness: 3/4"



77R8320 RD-4-7352-0P
Overall Width: 20"
Fin Width: 18 1/2"
Height: 24 1/2"
Thickness: 1 1/4"



77R8335 RD-4-7358-0P
Overall Width: 44"
Fin Width: 30"
Height: 19 3/4"
Thickness: 1/2"



77R8340 RD-4-7360-0P
Overall Width: 38 1/2"
Fin Width: 32 1/2"
Height: 16 1/2"
Thickness: 1/2"



CONTROL CABLE

2007-08	MR (Oscar)	2RD570M, M2, M3 Unit, 60" length	RD 5 6410 60	RD-5-6410-60P	RD-5-6410-60P
---------	------------	----------------------------------	--------------	---------------	----------------------

EVAPORATOR

1975-84	WL, WS, Cruiseline	Main unit (Red Dot)	4379-RD211560	RD-2-1156-0P	76R6700
1986-04	MC, MR	Evaporator Coil	4379-RD213810	RD-2-1381-0P	76R6950
1987-02	DM, DMM	Main unit (with drain pan)	4379-RD214801	RD-2-1480-1P	76R6180
1988-01	CH, CL Conventional	Main unit (Red Dot)	4379-RD216550	RD-2-1655-0P	76R7510
1990-99	MS Midliner	Evaporator Coil	4379-RD215100	RD-2-1510-0P	76R5000
1995-02	All with OEM Part No.	Sleeper Unit	4379-RD218981	RD-2-1898-0P	76R6130
2002-07	CX, Vision	Evaporator 10 x 2 19/32 x 10	7787-869224	RD-4-7540-0P	77R8430

76R5000 RD-2-1510-0P
5 1/4" high x 12 1/4" long x 3" wide



76R6130 RD-2-1898-0P
8 5/16" high x 7 7/32" long x 3 13/32" wide



76R6180 RD-2-1480-1P
8" high x 8 1/4" long x 3 13/32" wide



76R6700 RD-2-1156-0P
8" high x 11 13/16" long x 2 7/8" wide



76R6950 RD-2-1381-0P
8" high x 12 1/4" long x 3 13/32" wide



76R7510 RD-2-1655-0P
10" high x 9" long x 3 1/2" wide



ON-ROAD APPLICATIONS

MACK

YEAR	MODEL	DESCRIPTION	OEM PART #	FACTORY #	RedDOT #
------	-------	-------------	------------	-----------	----------

MACK

EXPANSION VALVE

1975-94	DM, F C.O.E.	Right Angle, O Ring, with Capillary, with Equalizer	7979-404073, 4379-RD538241	RD-5-3824-1P	71R8100
1976-93	DM	Block, #6 #10 #8 #8, with Mounting Holes	7979-404098	RD-5-6868-1P	71R8301
1979-93	CS, MS Midliner, Magirus 200, Magirus 300, CS200-2	Block, #6 #10 #8 #8, with Mounting Holes	4379-RD568680	RD-5-6868-1P	71R8301
1979-93	All with OEM Part No.	Block, #6 #10 #8 #8, with Mounting Holes	4300-57104, 4379-RD568680	RD-5-6868-1P	71R8301
1982-93	All with OEM Part No.	Main unit with Signet A/C	3230-218023	RD-5-5862-0P	71R8080
1988-00	CH Conventional	Block, #6 #10 #8 #10, with Mounting Holes	4379-RD570150	RD-5-7015-1P	71R8321
2000-02	CX	Main unit, Hi - capacity (2 ton), (Red Dot)	4379-RD5105460	RD-5-10546-0P	71R8385
2003-13	CH, Vision, Granite	Block, #6 #12 #8 #10 with Mount Holes	20443850	RD-5-14619-0P	71R8467
2007-08	MR (Oscar)	Block, #6 #10 #8 #8, with Mounting Holes	RD 5 6868 0	RD-5-6868-1P	71R8301

71R8080 RD-5-5862-0P

External Equalizer
Inlet: #6 (1/8") Male O-Ring
Outlet: #8 (1/2") Male O-Ring
 Equalizer Tube
Length: 10"
Nut: 1/2" Male O-Ring
Capillary Tube Length: 10"
Rating: 1 1/2 Ton



71R8100 RD-5-3824-1P

External Equalizer
Inlet: #6 (1/8") Male O-Ring
Outlet: #8 (1/2") Male O-Ring
 Equalizer Tube
Length: 13"
Nut: 1/2" Female O-Ring
Capillary Tube Length: 13"
Rating: 1 1/2 Ton



71R8301 RD-5-6868-0P

Inlet: #6 (3/8") Female O-Ring
Outlet: #10 (5/8") Female O-Ring
 Evaporator Fittings
In: #8 (1/2") Female O-Ring
Out: #8 (1/2") Female O-Ring
Superheat Rating: 5°F
Pressure Limit: 80 psig @40°F



71R8321 RD-5-7015-0P

High Capacity (2 Ton)
Inlet: #6 (3/8") Female "O" Ring
Outlet: #10 (5/8") Female O-Ring
 Evaporator Fittings
In: #8 (1/2") Female O-Ring
Out: #10 (5/8") Female O-Ring
Superheat Rating: 8°F
Pressure Limit: 53.5 psig @75°F



71R8385 RD-5-10546-0P

Anti-trumpeting (2 Ton)
Inlet: #6 (3/8") Female O-Ring
Outlet: #10 (5/8") Female O-Ring
 Evaporator Fittings
In: #8 (1/2") Female O-Ring
Out: #10 (5/8") Female O-Ring
Superheat Rating: 5°F
Pressure Limit: 53.5 psig @75°F



71R8467 RD-5-14619-0P

2-Ton
Inlet: #6 (3/8") Plate (Flange) Mount
Outlet: #12 (5/8") Plate (Flange) Mount
Evaporator Fittings
In: #8 (1/2") Plate (Flange) Mount
Out: #10 (5/8") Plate (Flange) Mount
Superheat Rating: 5°F
Pressure Limit: 80 psig @53.5°F



FAN

All with OEM Part No. Fan, Defrost, Universal, 12 Volt, 2 Speed

96-14, 101RD35-P1, 101RD41-P2 RD-5-5796-0P **73R9062**

73R9062 RD-5-5796-0P

12V, Metal Cage



YEAR	MODEL	DESCRIPTION	OEM PART #	FACTORY #	RedDOT #
------	-------	-------------	------------	-----------	----------

MACK

HEATER CORE

1979-81	All with OEM Part No.	Heater Core	4379-RD103330	RD-1-0333-0P	76R2300
1981-01	DM, DMM	Heater Core	4379-RD101471	RD-1-0147-1P	76R2600
1981-83	All with OEM Part No.	Heater Core	4379-RD103710	RD-1-0371-1P	76R2210
1986-02	MC, MR	Main unit with Red Dot A/C	4379-RD105500	RD-1-0550-0P	76R3300
1987-00	All with OEM Part No.	Sleeper Unit (withCTC)	4379-RD105630	RD-1-0563-0P	76R2400
1987-94	All with OEM Part No.	Heater Core	4379-RD106650	RD-1-0665-0P	76R2450
1988-02	DM, DMM	Main unit (without Drainpan)	4379-RD106151	RD-1-0615-1P	76R1900
1995-02	All with OEM Part No.	Heater Core	4379-RD108221	RD-1-0822-0P	76R2410
2003-06	Granite	Main unit with Red Dot A/C	4379-RD107440	RD-1-0744-0P	76R3930
2007-08	MR (Oscar)	2RD570M3 Unit with heater only, HP heater core	4379-RD105500	RD-1-0552-0P	76R4310

76R1900 RD-1-0615-1P

7" high x 8 1/4" long x 2 1/2" wide



76R2210 RD-1-0371-1P

8 1/2" high x 6 3/4" long x 2 3/4" wide



76R2300 RD-1-0333-0P

8" high x 5 3/4" long x 2 1/2" wide



76R2400 RD-1-0563-0P

8" high x 8" long x 2 1/2" wide



76R2410 RD-1-0822-0P

8 3/4" high x 7 29/32" long x 2 1/2" wide



76R2450 RD-1-0665-0P

8" high x 7 1/8" long x 2 3/4" wide



76R2600 RD-1-0147-1P

8" high x 9" long x 2 1/2" wide



76R3300 RD-1-0550-0P

8" high x 12 1/8" long x 1 3/4" wide



76R3930 RD-1-0744-0P

10" high x 9" long x 2 1/2" wide



MACK

ON-ROAD APPLICATIONS

MACK

YEAR	MODEL	DESCRIPTION	OEM PART #	FACTORY #	RedDOT #
------	-------	-------------	------------	-----------	----------

MACK

PRESSURE SWITCH

	All with OEM Part No.	Switch, Pressure, Low, NO	4379-RD41910	RD-4191-OP	71R6050
	All with OEM Part No.	All with APAdS electronic pressure switch	4379-RD5107690	RD-5-10769-OP	71R6416
1978-94	CS, MS Midliner, Magirus	Switch, Pressure, High, NC	4379-RD558730, 7979-404141	RD-5-5873-OP	71R6070
1980-01	All with OEM Part No.	with Red Dot A/C, Trinary Switch with harness	4379-RD5121500	RD-5-12150-OP	71R4501
1980-01	All with OEM Part No.	Switch, Pressure, Trinary, NO	4379-RD545830	RD-5-4583-OP	71R7550
1980-01	All with OEM Part No.	Switch, Pressure, Trinary, NO	4379-RD545850	RD-5-4585-OP	71R7500
1983-00	R, RL, RS, RW, U, DM	with Red Dot A/C, Binary Switch	4379-RD546460	RD-5-4646-OP	71R7000
1983-93	R, RL, RS, RW, U, DM	with Red Dot A/C, Trinary Switch	4379-RD563950	RD-5-6395-OP	71R6040
1994-03	CH	Micro Switch	4379-RD584900	RD-5-8490-OP	71R1610
1995-04	All with OEM Part No.	ECM, APADS Controller	4379-RD5103520	RD-5-10352-OP	71R6565
1996-05	CH, CHN, CL, CM, CS Conventional	Micro Switch	4379-RD568330	RD-5-10590-OP	71R1620
1996-06	CH, CHN, CL, CM, CS Conventional	with Red Dot A/C, Binary Switch	4379-RD546400	RD-5-4640-OP	71R7050
2002-09	Granite, Titan	Dual Function M10 Port NC	4379-RD589460, 1MR3550M	RD-5-8946-OP	71R6125

71R1610 RD-5-8490-OP



71R1620 RD-5-10590-OP



71R4501 RD-5-12150-OP



71R6040 RD-5-6395-OP



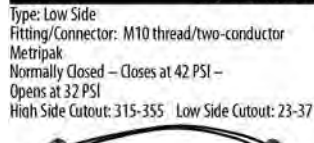
71R6050 RD-4191-OP



71R6070 RD-5-5873-OP



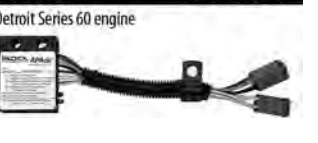
71R6125 RD-5-8946-OP



71R6416 RD-5-10769-OP



71R6565 RD-5-10352-OP



71R7000 RD-5-4646-OP



71R7050 RD-5-4640-OP



71R7500 RD-5-4585-OP



71R7550 RD-5-4583-OP




YEAR	MODEL	DESCRIPTION	OEM PART #	FACTORY #	RedDOT #
------	-------	-------------	------------	-----------	----------

MACK

RECEIVER DRIER

	All with OEM Part No.	#6 male O-Ring, 2 3/4" X 10 5/8", without trinary switch	4379-RD565672	RD-5-6768-2P	74R2797
1976-93	R, RL, RS, RW, U Conventional	#6 male O-Ring, 2 3/4" X 10", binary switch	JA1120	RD-5-9455-0P	74R1836
1977-81	R, RB, RD, RL, RS, RW	with Econodine Engine	402529	RD-5-3593-1P	74R1706
1977-93	DM Conventional	2 3/4"x9 5/8", #6MOR in, #6MOR out, PRV, Top Glass, Side Port with Trinary Switch	402529	RD-5-4632-0P	74R1956
1977-93	DM	2 3/4"x9 5/8", #6MOR in, #6 MOR out, PRV, Side Glass, Top Port with Trinary Switch	4379-RD546321	RD-5-4632-1P	74R1906
1977-93	DM	O-Ring Type with side port, top glass, moisture indicator	221RD32	RD-5-7272-1P	74R2447
1979-87	MS Midliner, Magirus	2 3/4"x10", #6MOR in, #6 MOR out, PRV, Top Glass, Side Port	402529, 4379-RD535930	RD-5-3593-0P	74R1756
1979-87	WL, WS, WM, Cruisliner C.O.E.	O-Ring Type with Side Mount L.P. Switch	210RD39303	RD-5-3593-1P	74R1706
1983-02	MS Midliner	High capacity O-Ring Type with trinary switch, side port, top glass	4379-RD547271	RD-5-4727-1P	74R2596
1983-03	MH, MH Ultraliner	O-Ring type with female switch port & moisture indicator	221RD312, 333	RD-5-8240-1P	74R3347
1983-94	Conventional	O-Ring Type with Kysor MiniBrute A/C	7979-402492, 7979-402562	RD-5-4950-1P	74R0907
1983-94	CS, MS Midliner	O-Ring Type with Kysor A/C	7979-402562	RD-5-4950-1P	74R0907
1986-97	All with OEM Part No.	O-Ring type with female switch port & moisture indicator	221RD333	RD-5-8240-1P	74R3347
1988-91	CS, MS Midliner	O-Ring Type with Behr A/C	JA1045	RD-5-4950-1P	74R0907
1988-98	CH, CL, CM	#6 male O-Ring, 2 3/4" X 10", without binary switch	221RD327P, 328P, 4379-RD555720	RD-5-5572-0P	74R1856
1989-00	CS, MS Midliner	O-Ring Type with Red Dot A/C	4379-RD570610	RD-5-7061-6P	74R2577
1989-00	CS, MS Midliner	O-Ring Type with Red Dot A/C	4379-RD570611	RD-5-7061-7P	74R2537
1993-03	All with OEM Part No.	O-Ring type with metric ports and moisture indicator	221RD331, 334, 335	RD-5-11534-0P	74R3077
1994-02	DM	O-Ring Type with Standard Ports and Moisture Indicator	221RD334	RD-5-11533-0P	74R3107
2005-07	CX	O-Ring Type with Metric Ports and Moisture Indicator	221RD335	RD-5-11534-0P	74R3077
2006-11	CH, CL, CX, Vision, Titan	O-Ring Type 3" by 9" with moisture indicator	221RD44M	RD-5-11531-0P	74R1427
2006-12	Granite	O-Ring Type with Switch Port and HPRV	088214-00, 088214-03	RD-5-11533-0P	74R3107
2007-13	CX, CXU, CXN, CTP	O-Ring Type 3" by 9" with moisture indicator	82733985	RD-5-11531-0P	74R1427

74R0907 RD-5-4950-1P
2 1/2" diameter x 8" long
#6 Male O-Ring
Fuse
Side Port



74R1427 RD-5-11531-0P
3" diameter x 9" long
#6 Male O-Ring
Volvo VN Series
OE#20447319
Mack Granite
2013-2014



74R1706 RD-5-3593-1P
2 3/4" diameter x 10" long
#6 Male O-Ring
High Capacity
Pressure Relief - Side
Top Port -
3/8" x 24 Switch



74R1756 RD-5-3593-0P
2 3/4" diameter x 10" long
#6 Male O-Ring
High Capacity
Pressure Relief
Side Port



74R1836 RD-5-9455-0P
2 1/2" diameter x 10" long
#6 Male O-Ring
Includes
Binary Switch - Top
Fuse
Top Port



74R1856 RD-5-5572-0P
2 3/4" diameter x 10" long
#6 Male O-Ring (Schrader Port)
High Capacity
Pressure Relief
Side Port



74R1906 RD-5-4632-1P
Includes Trinary™ Switch - Top
2 3/4" diameter x 9 5/8" long
#6 Male O-Ring
High Capacity
Pressure Relief
Side Port



74R1956 RD-5-4632-0P
Includes Trinary™ Switch - Side
2 3/4" diameter x 9 5/8" long
#6 Male O-Ring
High Capacity
Pressure Relief
Side Port



74R2447 RD-5-7272-1P
Includes Moisture Indicator
3" diameter x 6 1/4" long
#6 Male O-Ring
High Capacity
Pressure Relief
Side Port



74R2537 RD-5-7061-7P
3" diameter x 6 1/4" long
#6 Male O-Ring
(Schrader Port)
High Capacity
Pressure Relief
Side Port



74R2577 RD-5-7061-6P
3" diameter x 6 1/4" long
#6 Male O-Ring
(No Ports)
High Capacity
No Port
No Glass



74R2596 RD-5-4727-1P
Includes Trinary™ Switch
3" diameter x 6" long
#6 Male O-Ring
High Capacity
Pressure Relief
Side Port



74R2797 RD-5-6768-2P
Includes Moisture Indicator
3" diameter x 10 1/4" long
#6 Male O-Ring
High Capacity
Press Relief
Top Port



74R3077 RD-5-11534-0P
3" diameter x 10" long with Moisture Indicator
#6 Male O-Ring
Male Metric Schrader
with Male 10 X
1.25mm Threads
High Capacity
Pressure Relief
Side Port



74R3107 RD-5-11533-0P
Includes Moisture Indicator
3" diameter x 9 1/4" long
#6 Male O-Ring
High Capacity
Pressure Relief
Top Port
1/4" Schrader Valve



74R3347 RD-5-8240-1P
Includes Moisture Indicator
3" diameter x 9 1/4" long
#6 Male O-Ring
High Capacity
Pressure Relief
Side Port



ON-ROAD APPLICATIONS

MACK

YEAR	MODEL	DESCRIPTION	OEM PART #	FACTORY #	RedDOT #
------	-------	-------------	------------	-----------	----------

MACK

RELAY

1983-00	All with OEM Part No.	Relay, Blower, Twin Temp, 12V, 10A, Socket Mount, 8 Terminal	4379-RD43700	RD-4370-0P	71R1652
1983-97	All with OEM Part No.	Relay, Blower, 12V, 20/30A, Tab Mount, 5 Terminals	2MR2014, 3917-65885-C2	RD-5-4408-0P	71R1702
1983-97	CS, MS Midliner, Magirus	Relay, Blower, 12V, 20/30A, Tab Mount, 5 Terminals	2MR2014	RD-5-4408-0P	71R1702
1983-97	CS, CS Midliner	Relay, Blower, 12V, 20/30A, Tab Mount, 5 Terminals	7979-221568, 7979-221655	RD-5-4408-0P	71R1702
1983-97	CS, MS Midliner	Relay, 12V, 20/30A, Tab Mount, 5 Terminals	2MR2014	RD-5-4408-0P	71R1702
1986-98	CS, CS Midliner	Relay, Blower, 12V, 20/30A, Tab Mount, 5 Terminals	2MR1702	RD-5-4408-0P	71R1702

71R1652 RD-4370-0P

12V Relay, 8 terminal, DPDT



71R1702 RD-5-4408-0P

12V Relay, 30/20 amps, SPDT, 5 terminals Bosch type



RESISTOR

1980-97	All with OEM Part No.	Resistor, Blower Speed, Bakelite Back, 3 Terminal, 3 Speed	7979-220990	RD-5-10441-0P	71R1463
1981-95	MH Ultraliner	Behr A/C units with 3 terminal, 4 speed resistor	3230-220276	RD-5-13299-0P	71R1462
1985-00	CS, CS Midliner	Resistor, Blower Speed, Bakelite Back, 3 Terminal, 3 Speed	4379-RD536470	RD-5-3647-0P	71R1450

71R1450 RD-5-3647-0P

3 Terminals (3/4" blade) / 3 Speeds
Bakelite base: 2 3/4" x 1 1/2" x .10" thick - Height: 1"



71R1462 RD-5-13299-0P

4 Terminals (1/4" blade) / 4 Speeds
Bakelite base: 2 1/2" x 1 1/2" x .10" thick - Height: 1 3/16"



71R1463 RD-5-10441-0P

3 Terminals (1/4" blade) / 3 Speeds
Bakelite base: .10" thick



SWITCH

	All with OEM Part No.	Valve, Solenoid, 12V, #6 MOR	207583, LA1225	RD-4188-0P	71R9002
	All with OEM Part No.	Valve, Solenoid, 12V, #6 MOR	4379-RD41880	RD-4188-0P	71R9002
	C.O.E., Conventional	Solenoid, 12V, Fan Clutch Air Control	4379-RD500600	RD-5-0060-0P	72R1502
	C.O.E., Conventional	Switch, Air, Push Button, Chrome	4379-RD538274	RD-5-3827-4P	72R0240
	All with OEM Part No.	Switch, Air Pressure, NC	4379-RD544750	RD-5-4475-0P	72R0050
1973-86	All with OEM Part No.	Switch, Toggle, DPDT, ON-ON-ON, 4 Terminal	221030, 4379-RD500710	RD-5-0071-0P	71R0400
1975-81	F.C.O.E.	Switch, Toggle, DPDT, ON-OFF-ON, 6 Terminal	4379-RD41232	RD-4123-2P	71R0200
1975-81	F.C.O.E.	Switch, Toggle, DPDT, ON-OFF-ON, 6 Terminal	4379-RD4123-2	RD-4123-2P	71R0200
1975-81	F.C.O.E.	Fan Switch (Bunk)	4379-RD537480	RD-5-3748-0P	71R0010
1977-86	All with OEM Part No.	A/C units with rocker blower fan switch, 5 terminal	220891, BA1260, 4379-RD41512	RD-4151-2P	71R0550
1978-94	CS	Switch, Lever, 5 Terminal	4379-RD546941	RD-5-4694-1P	71R0450
1978-94	CS	Kysor A/C units, rotary blower fan switch with resistor, 3 speed, DP3T	BA1145, 2175002, 2199002, 220268	RD-5-5194-0P	71R1210
1979-04	All with OEM Part No.	Switch, Toggle, DPDT, ON-OFF-ON, 6 Terminal	7979-221189	RD-4123-2P	71R0200
1979-04	MS Midliner, Magirus	Switch, Rotary, 3 Speed, Short Shaft, 5 Terminal	7979-220635	RD-5-9833-0P	71R1160
1979-93	CS, MS Midliner, Magirus	Switch, Rotary, 3 Speed, Long Shaft, 5 Terminal	7979-220268	RD-5-3646-0P	71R1150
1979-93	CS Midliner, Magirus	Switch, Rotary, 3 Speed, Long Shaft, 5 Terminal	3230-221-519, 7979-220635, 1MR2355	RD-5-3646-0P	71R1150
1979-93	CS, MS Midliner, Magirus	Switch, Rotary, 3 Speed, Long Shaft, 5 Terminal	RD536460	RD-5-3646-0P	71R1150
1979-93	MS Midliner, Magirus	Switch, Rotary, 3 Speed, Long Shaft, 5 Terminal	3230-221-519, 1MR2355	RD-5-3646-0P	71R1150
1979-93	CS, MS Midliner, Magirus	with Kysor A/C, Blower Switch (12 Volt Resistor Type)	4379-RD551940	RD-5-5194-0P	71R1210
1979-93	MS Midliner, Magirus	with Kysor A/C, Blower Switch (12 volt resistor type)	7979-220300, 4379-RD551940	RD-5-5194-0P	71R1210

SWITCH CONTINUED ON NEXT PAGE

YEAR	MODEL	DESCRIPTION	OEM PART #	FACTORY #	RedDOT #
------	-------	-------------	------------	-----------	----------

MACK

SWITCH

1980-05	All with OEM Part No.	Thermistor, CTC, 12V, Blower Speed Control	4379-RD647970	RD-6-4797-0P	71R3502
1980-05	All with OEM Part No.	Thermistor, CTC, 24V, Blower Speed Control	4379-RD647971	RD-6-4797-1P	71R3504
1982-85	MH Ultraliner	Switch, Rotary, 3 Speed, Long Shaft, 5 Terminal	4379-RD53646-0	RD-5-3646-0P	71R1150
1985-93	All with OEM Part No.	Switch, Lever, DP4POS, OFF-ON-ON-ON, 10 Terminal	4379-RD553021	RD-5-5302-1P	71R0470
1986-94	CS	Switch, Rotary, 3 Speed, Long Shaft, 5 Terminal	4379-RD536460	RD-5-3646-0P	71R1150
1988-00	CH	Fan Switch - Lever	4379-RD546941	RD-5-4694-1P	71R0449
1988-00	CH	Fan Switch - Rotary	4379-RD587710	RD-5-8771-0P	71R1175
1993-04	CH	Switch, Micro, 3 Terminal, with Arm	4379-RD54379, 4379-RD5105900	RD-5-10590-0P	71R1620

71R0010 RD-5-3748-0P
SPST Type
Chrome Toggle
Function: ON - OFF
2 Terminals



71R0200 RD-4123-2P
DPDT Type
Chrome Toggle
Function: ON - OFF - ON
6 Terminals



71R0400 RD-5-0071-0P
DPDT Type
Chrome Toggle
Function: ON - ON - ON
4 Terminals



71R0449 RD-5-4694-1P
SPST Type
Uses 71R4030 knob
Function: OFF - ON - ON - ON
5 Terminals



71R0450 RD-5-4694-1P
SPST Type
Uses 71R4030 knob
Function: OFF - ON - ON - ON
5 Terminals



71R0470 RD-5-5302-1P
Fits unit model R-4140, R-4145
DP4POS Type
Uses 71R4030 knob
Function: OFF - ON - ON - ON
10 Terminals



71R0550 RD-4151-2P
DPDT Type with Jumper
Function: On-Off-On
5 Terminals
12VDC, 15 amps



71R1150 RD-5-3646-0P
3 speed, Long Shaft
DP3T
4-position
5 terminals
25 amps
Mounting hole: .442" x .385" - "D" hole



71R1160 RD-5-9833-0P
3 speed, Short Shaft
DP3T
4-position
5 terminals
25 amps
Mounting hole: .442" x .385" - "D" hole



71R1175 RD-5-8771-0P
5 speed
DP3T
5-position
6 terminals
25 amps
Mounting hole: .375"



71R1210 RD-5-5194-0P
3 Speed with Resistor -
DP3T,
4-position,
5 terminals
18 amps
Uses Knob
71R4050
Mounting hole: .500"



71R3502 RD-6-4797-0P
12 Volt, 30k ohm Thermistor blower speed control switch



71R3504 RD-6-4797-1P
24 Volt, 30k ohm Thermistor blower speed control switch



71R9002 RD-4188-0P
#6 Male O-Ring Fitting 12 volt



72R0050 RD-5-4475-0P
Normally Closed,
Opens At 25 PSIG
1/8"-27 NPTF Male



72R0240 RD-5-3827-4P
Chrome Push Button
Momentary Off/
Maintain On



72R1502 RD-5-0060-0P
12 VDC - Draws .65 AMPS



ON-ROAD APPLICATIONS

MACK

YEAR	MODEL	DESCRIPTION	OEM PART #	FACTORY #	RedDOT #
------	-------	-------------	------------	-----------	----------

MACK

THERMOSTAT

1975-80	WL, WS, Cruiseline	Adjustable, 36" Probe	2790-HV27072	RD-4125-36P	71R2250
1975-81	F C.O.E.	Adjustable, 36" Probe	7979-404028	RD-4125-36P	71R2250
1976-89	DM, DMM	All models with Kysor Mini Brute A/C and factory air with rotary switch	7979-404075, 4379-RD549090	RD-5-4909-0P	71R2100
1979-87	CS Midliner	Adjustable, 48" Capillary	4379-RD412548	RD-4125-48P	71R2300
1982-87	MH, MH Ultraliner	Cable controlled thermostat, 43" capillary tube	3230-22533, 4379-RD549170	RD-5-4917-0P	71R2800
1982-88	MH, MH Ultraliner	Variable, Cable Controlled, 30" Capillary	4379-RD42260	RD-4226-0P	71R2700
1983-89	CS 200, CS250	Fixed, 24" Probe	4379-RD5453124	RD-5-4531-24P	71R3200
1985-00	MC	Fixed, 24" Probe	RD 5 4531 24	RD-5-4531-24P	71R3200
1987-04	MS Midliner	Fixed, 24" Probe	A22-23640-000	RD-5-4531-24P	71R3200
1989-01	CS, CS Midliner	Fixed, 24" Probe	4379-RD442724	RD-4427-24P	71R3100
1999-09	CX	Fixed, 24" Probe	7787-650163, 4379-RD442724	RD-4427-24P	71R3100

71R2100 RD-5-4909-0P
Capillary Length: 18"
Type: Variable
Temp. Range: 28°- 62°F
Clutch Cycle Range: 6°F



71R2250 RD-4125-36P
Capillary Length: 36"
Type: Variable
Temp. Range: 34°- 52°F
Clutch Cycle Range: 5°F




71R2300 RD-4125-48P
Capillary Length: 48"
Type: Variable
Temp. Range: 34°- 52°F
Clutch Cycle Range: 5°F



71R2700 RD-4226-0P
Pull for cold Variable temp. Mounting hole spacing 2 1/16"
Capillary Length: 30"
Type: Variable
Temp. Range: 34°- 54°F
Clutch Cycle Range: 5°F




71R2800 RD-5-4917-0P
Pull for warm Variable temperature, Mounting hole spacing 2 1/16"
Capillary Length: 43"
Type: Variable
Temp. Range: 30°- 62°F
Clutch Cycle Range: 10°F
IHC#581691C1



71R3100 RD-4-4272-4P
Mounting hole spacing: 2 1/8"
Capillary Length: 24"
Type: Fixed
Temp. Range: 34°- 38°F
Clutch Cycle Range: 5°F



71R3200 RD-5-4531-24P
Mounting hole spacing: 2 1/4"
Capillary Length: 24"
Type: Fixed (side mount)
Temp. Range: 31°- 39°F
Clutch Cycle Range: 8°F



WATER VALVE

All with OEM Part No.	Cable Controlled, 5/8" Hose, STR-STR, Pull to Open	2790-HV22563	RD-4257-0P	72R5050	
All with OEM Part No.	Cable Controlled, 5/8" Hose, STR-STR, Pull to Open	2790-HV30644	RD-5-4923-0P	72R5040	
All with OEM Part No.	Cable Operated, Red Dot (5/8" to 5/8"), pull to open	4379-RD553001, 30RS326	RD-5-5300-1P	72R5210	
All with OEM Part No.	Air Operated (Red Dot), 5/8" to 5/8" hose	4379-RD588041	RD-5-8804-1P	72R6401	
1980-96	R, DM	Air Operated (Red Dot), 5/8" to 5/8" hose	29RD29300	RD-5-8857-0P	72R6420
1983-00	All with OEM Part No.	Air Controlled, 5/8" Hose, Offset	29RD29301	RD-5-8857-1P	72R6421
1986-93	MH Ultraliner	Air Controlled, 5/8" Hose, 90°	4379-RD588040	RD-5-8804-0P	72R6400
2007-08	MR (Oscar)	2RD570M, M2, M3 Unit	4379-RD552150	RD-5-5215-0P	72R5080

72R5040 RD-5-4923-0P
3/8" hose to 3/8" hose



72R5050 RD-4257-0P
5/8" hose to 5/8" hose



72R5080 RD-5-5215-0P
3/8" Hose To 3/8" Hose
Pull To Open



72R5210 RD-5-5300-1P
3/8" Hose to 3/8" Hose
Pull To Open



72R6400 RD-5-8804-0P
3/8" Hose to 3/8" Hose



72R6401 RD-5-8804-1P
3/8" Hose to 3/8" Hose



72R6420 RD-5-8857-0P
3/8" Hose to 3/8" Hose



72R6421 RD-5-8857-1P
3/8" Hose to 3/8" Hose



YEAR	MODEL	DESCRIPTION	OEM PART #	FACTORY #	RedDOT #
------	-------	-------------	------------	-----------	----------

PETERBILT

ACCUMULATOR

1994-02	357, 377, 378, 379, 385 Conv	Aluminum, 3 1/2"x9 1/2", #12 FOR in, #12 FOR out	JC10800, JC1080, 18-03837, 700001	RD-5-10927-0P	74R5061
1994-10	357, 377, 378, 379, 385 Conventional	Aluminum, 3 1/2"x9 1/8" Pad Fitting in, Pad Fitting out	FG2618, F31-6063, 18-04171	RD-5-9556-1P	74R5062
1999-10	325, 330, 335, 340	Accumulator	F31-6063, 18-04171	RD-5-9556-1P	74r5062

74R5061 RD-5-10927-0P
3 1/2" diameter x 9 1/2" long
Inlet: 1 1/16" Female O-Ring
Outlet: 1 1/16" Female O-Ring



74R5062 RD-5-9556-1P
3 1/2" diameter x 9 1/8" long
Inlet: Pad Mount
Outlet: Pad Mount



74R5062 RD-5-9556-1P
3 1/2" diameter x 9 1/8" long
Inlet: Pad Mount
Outlet: Pad Mount



ACTUATOR

1995-06	All with OEM Part No.	Electric, Rotary, 12V, 104° Travel	MA0200-01S, P93CAA0200-01S	RD-5-6320-0P	71R3575
1996-08	All with OEM Part No.	Electric, Universal, Rotary, 12v/24v, 4 pin Deutz Connector, 104° Max Travel	MA14400, 650341BSM	RD-5-12450-1P	71R3583
All	All with OEM Part No.	Air, Single Action	DA10100, DA1010	RD-5-5414-4P	72R1200
All	All with OEM Part No.	Air, Double Acting	DA10350, DA1035	RD-5-5424-1P	72R1300
All	All with OEM Part No.	Air, Single Action	DA10050, DA1005	RD-5-5784-5P	72R1210
All	All with OEM Part No.	Air, Double Acting	DA10000, DA1000	RD-5-6028-1P	72R1310

71R3575 RD-5-6320-0P
Red Label
D161124932



71R3583 RD-5-12450-1P
Universal, 12 or 24 Volt
4-pin Deutz
sealed connection
104° maximum
travel



72R1200 RD-5-5414-4P
.625" Dia x 3.69" Long - 1.10" Stroke - Plastic



72R1210 RD-5-5784-5P
.625" Dia x 3.69" Long - 1.10" Stroke - Plastic



72R1300 RD-5-5424-1P
.69" Dia x 4.74" Long - 0.5" Stroke - Plastic



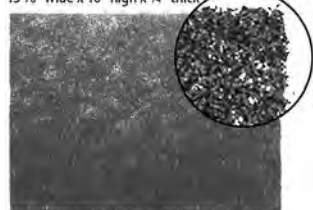
72R1310 RD-5-6028-1P
.79" Dia x 5.34" Long - 0.375" Stroke - Plastic



AIR FILTER

1998-10	All with OEM Part No.	Filter, Cab Air	5X010007	RD-5-14694-0P	78R5460
2002-09	387	Filter, Cab Air	GD11800, 525507BSM	RD-5-10745-1P	78R5420
2008-12	Conventional, C.O.E.	Filter, Cab Air, Fresh	FR11120, 525838BSM	RD-5-10775-0P	78R5308

78R5308 RD-5-10775-0P
13 3/8" wide x 10" high x 3/4" thick



78R5420M RD-5-10745-1P
13 3/4" Wide x 10 1/4" High x 3/4" Thick



78R5460 RD-5-14694-0P
10 1/4" wide x 8" high x 3/4" thick



ON-ROAD APPLICATIONS

PETERBILT

YEAR	MODEL	DESCRIPTION	OEM PART #	FACTORY #	RedDOT #
PETERBILT					
BLOWER MOTOR					
1988-04	362 C.O.E, 372	Motor, 12V, 1 Speed, Double 5/16" Shaft, with Mounting Studs	HB10850, HB1085	RD-5-5049-1P	73R4422
1994-00	357, 377, 378, 379, 385 Conventional	Motor, 12V, CW, 1 Speed, Single 5/16" Shaft, with Mounting Studs	HA03010, HA0301-01S, P93CAA0301-01S, P93CAA0300-01S, HA1825	RD-5-10336-0P	73R0042
1994-00	357, 377, 378, 379, 385 Conv	Motor, 12V, CW, 1 Speed, Single 5/16" Shaft, with Mounting Studs	HA18250, HA1825, HA03010, HA0301-01S, P93CAA0301-01S, P93CAA0300-01S	RD-5-10905-0P	73R0442
1994-02	Conventional	Motor 12V, single speed, CW or CCW, stud mount 5/16 shaft	2809-540-036, P93CAA0300-01S	RD-5-10336-0P	73R0042
1997-01	379, 387 Conv	Motor, 12V, CCW, 1 Speed, Single 5/16" Shaft, with Mounting Studs	BSM203133	RD-5-6526-0P	73R0422
1997-02	320, Dual Steer	Motor, 12V, 1 Speed, Double 5/16" Shaft, WO/Mounting Studs	HB10500, HB1050, 205780	RD-5-6801-0P	73R4182
1997-12	320	Motor, 12V, 1 Speed, Double 5/16" Shaft, WO/Mounting Studs	HB16100, HB1610, 203080	RD-5-6801-0P	73R4182
1998-05	C.O.E.	Motor, 12V, CW, 1 Speed, Single 5/16" Shaft, Flange Mount	5X012163	RD-5-13069-0P	73R3142
1998-16	330, 335, 340, 365, 367, 377, 378, 379, 385, 387, 388, 389	Motor, 12V, CW, 1 Speed, Single 5/16" Shaft, Flange Mount	3X010983, HA0983, HA09830, P93CAA0301-01S, ZGG701018	RD-5-13069-0P	73R3142
1999-12	379, 387 Conv	Motor, 12V, CW, 1 Speed, Single 5/16" Shaft, with Mounting Tabs	HA12600, BSM203139	RD-5-8922-0P	73R0612
2000-10	387	Motor, 12V, CW, 1 Speed, Single 5/16" Shaft, with Mounting Tabs	HB17500, HB1750, 203364	RD-5-8922-0P	73R0612
2000-10	387	Motor, 12V, CW, 1 Speed, Single 5/16" Shaft, with Mounting Tabs	203363	RD-5-8922-0P	73R0612
2000-12	387, 587	Motor 12V, single speed, CCW flange mounted tabs	871218BSM, 203364BSM, 203142BSM	RD-5-10867-0P	73R0332

73R0042 RD-5-10336-0P



Single Speed
12 Volt
Rotates Either Direction
Permanent Magnet Motor
Stud Mounted, Span 2 5/16"
Dimensions: 4 1/4" x 3 3/4" x 3"
Shaft: 5/16" diameter, Length: 1 3/4"
Vented
Connector: Packard with two 1/4" blade terminals

73R0332 RD-5-10867-0P



Single Speed
12 Volt
Rotates CCW
Permanent Magnet Motor
Flange/Plate Mounted
Dimensions: 5" x 4" x 3"
Shaft: 5/16" diameter, Length: 1 1/2"
Vented
Connector: Two conductors, female ring terminal, Packard #2984528

73R0422 RD-5-6526-0P



Single Speed
12 Volt
Rotates CW
Permanent Magnet Motor
Strap/Stud Mounted, Span 2 5/16"
Dimensions: 4 3/4" x 4" x 3"
Shaft: 5/16" diameter, Length: 1 5/8"
Vented
Connector: Two conductor Packard #2984528, 2971859

73R0442 RD-5-10905-0P



Single Speed
12 Volt
Rotates CW
Permanent Magnet Motor
Stud Mounted, Span 2 5/16"
Dimensions: 4 5/8" x 4 1/4" x 3"
Shaft: 5/16" diameter, Length: 1 3/4"
Vented
Connector: Two conductor Packard 1/4" blade terminal #2973781

73R0612 RD-5-8922-0P



Single Speed
12 Volt
Rotates CW
Permanent Magnet Motor
Strap/Stud Mounted, Span 2 5/16"
Dimensions: 5 1/8" x 4 1/16" x 3"
Shaft: 5/16" diameter, Length: 1 5/8"
Vented, Strap Diameter: 6 3/4"
Connector: Two conductor Packard #12129939

73R3142 RD-5-13069-0P



Single Speed
12 Volt
Rotates CW
Flange Mount

73R4182 RD-5-6801-0P



Single Speed
12 Volt
Permanent Magnet Motor
Strap / Stud Mounted, Span 2 5/16"
Dimensions: 4 3/4" x 4" x 3"
Shafts: 5/16" diameter, length: 2 5/8"
Vented
Connector: 1/4" spade receptacle

73R4422 RD-5-5049-1P



Single Speed
12 Volt
Permanent Magnet Motor
Strap / Stud Mounted, Span 2 5/16"
Dimensions: 5 1/4" x 4 1/2" x 3"
Shafts: 5/16" diameter, length: 2 7/8"
Vented
Connector: Two conductor Packard #2984528 1/4" blade terminal

YEAR	MODEL	DESCRIPTION	OEM PART #	FACTORY #	RedDOT #
------	-------	-------------	------------	-----------	----------

PETERBILT

BLOWER WHEEL

1986-03	310, 320 LCF	Reversible, Double Entry	HC10500, HC1050, BSM302042	RD-5-10346-0P	73R7130
1986-95	13-210 Mid Ranger	Reversible, Double Entry	HC13500, HC1350, RD5-5656-0, 260680,	RD-5-5656-0P	73R7000
1986-97	310, 357, 375, 377, 378, 379	CCW, Single Entry	HC12800, HC1280, RD3106-15	RD-5-8618-0P	73R6051
1987-08	310, 320	Reversible, Double Entry	HC10500, HC1050, 589540	RD-5-10346-0P	73R7130
1987-99	357, 362, 375, 376, 377, 378, 379	CW, Single Entry	HC13250, HC1325, RD5-5601-0	RD-5-5601-0P	73R6370
1988-03	320	Reversible, Double Entry	HC13000, HC1300, RD3-2557-2	RD-3-2557-2P	73R7151
1988-95	13-210 Mid Ranger	Reversible, Double Entry	HC1290, 260680	RD-5-5656-0P	73R7000
2000-08	387	Reversible, Double Entry	HC10050, HC1005, 563500	RD-5-10346-0P	73R7130
2005-10	330, 335, 340, 365, 367 Conventional	CCW, Single Entry	HC16250, HC1625, HC0400-0150, HC0400-015, P93CAB0400-015	RD-5-10435-0P	73R6383

<p>73R6051 RD-5-8618-0P</p> <p>5 1/4" diameter, 3 1/2" width 5/16" bore diameter Hub inset: 3/4" CCW Rotation Steel</p> 	<p>73R6370 RD-5-5601-0P</p> <p>5 3/4" diameter, 3" width 5/16" bore diameter Hub inset: 1 1/4" CCW Rotation Plastic</p> 	<p>73R6383 RD-5-10435-0P</p> <p>5 3/4" diameter, 3 1/4" width 5/16" bore diameter Hub inset: Flat CCW Rotation Steel</p> 	<p>73R7000 RD-5-5656-0P</p> <p>3 3/8" diameter, 3 1/4" width 5/16" bore diameter Hub inset: 1 1/8" Dual Rotation Plastic</p> 
<p>73R7130 RD-5-10346-0P</p> <p>4 3/4" diameter, 3 1/2" width 5/16" bore diameter Hub inset: 1 1/4" CW Rotation Plastic</p> 	<p>73R7151 RD-3-2557-2P</p> <p>5 1/4" diameter, 3 3/4" width 5/16" bore diameter Hub inset: 1 1/8" Dual Rotation Steel</p> 		

CLUTCH ASSEMBLY

All with OEM Part No.	12V, PV6 Groove, 5 3/4", 2 Wire	KA14000, KA1400, 024-25244, 14432	RD-5-10363-0P	75R0502
All with OEM Part No.	12V, PV6 Groove, 5 3/4", 1 Wire	KA14100, KA1410, 024-25144, 14304	RD-5-10364-0P	75R0512
All with OEM Part No.	12V, PV8 Groove, 6 1/8", 2 Wire	KA14050, KA140500, 024-25247, 14372	RD-5-10365-0P	75R0682
All with OEM Part No.	12V, PV6 Groove, 5 7/8", 2 Wire	KA15350, KA1535, 024-25241, 14565	RD-5-10366-0P	75R0522
All with OEM Part No.	12V, 2A Groove, 125MM, 2 Wire	4695-9931, 4740-9931	RD-5-10368-0P	75R1532
All with OEM Part No.	12V, PV7 Groove, 119MM, 1 Wire	4645-9931, 6512-6210	RD-5-10399-0P	75R0052
All with OEM Part No.	12V, 2A Groove, 135MM, 1 Wire	KA10250, KA1025, 511868, 511051	RD-5-10722-0P	75R0252
All with OEM Part No.	12V, 2A Groove, 125MM, 1 Wire	KA10250, KA1025, 511868, 524-19724	RD-5-10723-0P	75R0262
All with OEM Part No.	12V, PV8 Groove, 119MM, 2 Wire	4667-9931	RD-5-10760-0P	75R1842
All with OEM Part No.	12V, 2A Groove, 6", 1 Wire	KA10400, KA1040, RD5-4972-0, 18-01210, 5019390CC, 18-02572, 024-21590	RD-5-4972-1P	75R1202
All with OEM Part No.	12V, 2A Groove, 132MM, 1 Wire	6514-6210, KA1245, KA1075, 6519-6010, 6574-6210	RD-5-5486-0P	75R0202
All with OEM Part No.	24V, 2A Groove, 132MM, 1 Wire	6519-6210	RD-5-5487-0P	75R0204
All with OEM Part No.	12V, 1A Groove-Overhang, 125MM, 1 Wire	KA10550, KA1055, 511869, 511575	RD-5-6646-0P	75R0182
All with OEM Part No.	12V, 2A Groove, 125MM, 1 Wire	6560-6010, 9353-6010	RD-5-7831-0P	75R0192
All with OEM Part No.	12V, 2A Groove, 6", 2 Wire	KA15250, KA1525, 024-25238, 520556	RD-5-9456-0P	75R1302

CLUTCH ASSEMBLY CONTINUED ON NEXT PAGE

ON-ROAD APPLICATIONS

PETERBILT

YEAR	MODEL	DESCRIPTION	OEM PART #	FACTORY #	RedDOT #
------	-------	-------------	------------	-----------	----------

PETERBILT

CLUTCH ASSEMBLY

<p>75R0052 RD-5-10399-0P</p> <p>Model 709 / 7H15 Diameter: 4.7" / 119mm Groove: Poly 7 Width: .14" 12 Volts B Distance: 1 7/8" / 48mm</p>  <p>Single wire coil Weatherpak plug</p> 	<p>75R0182 RD-5-8382-0P</p> <p>Model: Seltec/TAMA - CH Diameter: 4.9" / 125mm Groove: 1 Width: 1/2" 12 Volts B Dimension: 2 3/16" / 62mm</p>  <p>Single wire coil Male bullet plug</p> 	<p>75R0192 RD-5-7831-0P</p> <p>Model SD7 Diameter: 4.9" / 125mm Groove: 2 Width: 1/2" 12 Volts B Distance: -</p>  <p>Single wire coil Male bullet plug</p> 	<p>75R0202 RD-5-5486-0P</p> <p>Model SD5 (508, 510, 5H14) Diameter: 5 1/4" / 132mm Groove: 2 Width: 1/2" 12 Volts B Distance: 1 1/16" / 40mm</p>  <p>Single wire coil Bare wire</p> 
<p>75R0204 RD-5-5487-0P</p> <p>Model SD5 (508, H14) Diameter: 5 1/4" / 132mm Groove: 2 Width: 1/2" 24 Volts B Distance: 1 1/16" / 40mm</p>  <p>Single wire coil Male bullet plug</p> 	<p>75R0252 RD-5-10722-0P</p> <p>OE # 2570152 Model: Seltec - TM15 Diameter: 5 23/64" / 135mm Groove: 2 Width: 1/2" 12 Volts B Dimension: - Single wire coil Male bullet plug</p>  <p>Single wire coil Male bullet plug</p> 	<p>75R0262 RD-5-10723-0P</p> <p>Model: Seltec - TM15 Diameter: 4.9" / 125mm Groove: 2 Width: 1/2" 12 Volts B Dimension: 1 9/16" / 40mm</p>  <p>Single wire coil Male bullet plug</p> 	<p>75R0502 RD-5-10363-0P</p> <p>Diameter: 5 3/4" Groove: Poly 6 Width: .14" 12 Volts B Dimension: 2"</p>  <p>Double wire coil w diode Metripak plug</p> 
<p>75R0512 RD-5-10364-0P</p> <p>Diameter: 5 3/4" Groove: Poly 6 Width: .14" 12 Volts B Dimension: 2"</p>  <p>Single wire coil w diode Weatherpak plug</p> 	<p>75R0522 RD-5-10366-0P</p> <p>Diameter: 5 3/4" Groove: Poly 6 Width: .14" 12 Volts B Dimension: 1 5/8"</p>  <p>Double wire coil w diode, Metripak plug</p> 	<p>75R0682 RD-5-10365-0P</p> <p>Diameter: 6 1/8" Groove: Poly 8 Width: .14" 12 Volts B Dimension: 1 15/16"</p>  <p>Double wire coil w diode Metripak plug</p> 	<p>75R1202 RD-5-4972-1P</p> <p>OE #501939, MAE-6AR Diameter: 6" Groove: 2 Width: 1/2" 12 Volts B Dimension: 1 3/4" Single wire coil with diode Weatherpak plug</p>  <p>Single wire coil with diode Weatherpak plug</p> 
<p>75R1302 RD-5-9456-0P</p> <p>Diameter: 6" Groove: 2 Width: 1/2" 12 Volts B Dimension: 1 5/8"</p>  <p>Double wire coil w diode Metripak plug</p> 	<p>75R1532 RD-5-10368-0P</p> <p>Model 709 / 7H15 Diameter: 4.9" / 125mm Groove: 2 Width: 1/2" 12 Volts B Distance: 2 5/32" / 55mm</p>  <p>Double wire coil Metripak plug</p> 	<p>75R1842 RD-5-10760-0P</p> <p>Model 709 / 7H15 Diameter: 4.7" / 119mm Groove: Poly 8 Width: .14" 12 Volts B Distance: Double wire coil Metripak plug</p>  <p>Double wire coil Metripak plug</p> 	

YEAR	MODEL	DESCRIPTION	OEM PART #	FACTORY #	RedDOT #
PETERBILT					
COMPRESSOR					
	All with OEM Part No.	7H15HD, 12V, PV8 Groove, 119MM, 2 Wire, MDA Head	4476	RD-5-10262-0P	75R84162
	All with OEM Part No.	7H15HD, 12V, PV8 Groove, 119MM, 2 Wire, MDA Head	4734, 22-47692-000	RD-5-10262-0P	75R84162
	All with OEM Part No.	7H15HD, 12V, PV6 Groove, 125MM, 2 Wire, GSA Head, Direct Mount	4039, 4424, 4731, F69-6003-122, 18-05000	RD-5-10273-0P	75R84292
	All with OEM Part No.	7H15HD, 12V, 2A Groove, 125MM, 1 Wire, JDA Head	LE1640, 18-04088, 4713SAN	RD-5-10274-0P	75R84312
	All with OEM Part No.	7H15HD, 12V, 2A Groove, 125MM, 2 Wire, JDA Head, Direct Mount	4433SAN, 4740SAN, 18-04373, F69-6001-233, 18-04088, 18-04373	RD-5-10274-0P	75R84312
	All with OEM Part No.	7H15HD, 12V, PV6 Groove, 125MM, 1 Wire, CBA Head, Direct Mount	4687, 22-44462-000	RD-5-10303-0P	75R84152
	All with OEM Part No.	Tube-0, LH Suction, 1"-14 Discharge, 1"-14 Suction, 12V, 2A Groove, 6", 2 Wire	LC2120, ET210L-25237C	RD-5-11218-0P	75R7322
	All with OEM Part No.	Tube-0, LH Suction, 1"-14 Discharge, 1"-14 Suction, 12V, 2A Groove, 6", 2 Wire	LC2125, ET210L-25246C	RD-5-11219-0P	75R7332
	All with OEM Part No.	7H15HD, 12V, PV8 Groove, 119MM, 1 Wire, JDA Head	4645SAN, LE1150, 18-03788, F69-6002-243, 4645	RD-5-11313-0P	75R81452
	All with OEM Part No.	7H15HD, 12V, PV8 Groove, 119MM, 1 Wire, JDA Head	4660	RD-5-11322-0P	75R81482
	All with OEM Part No.	7H15HD, 12V, PV8 Groove, 119MM, 2 Wire, KC Head, Direct Mount	LE1085, 4667SAN, K318-103, F69-6002-114	RD-5-11326-0P	75R81502
	All with OEM Part No.	7H15HD, 12V, PV8 Groove, 119MM, 1 Wire, MDA Head	4672SAN, F69-6001-215	RD-5-11328-0P	75R81512
	All with OEM Part No.	7H15HD, 12V, PV8 Groove, 119MM, 2 Wire, KG Head	F69-6002-214, 4739SAN, 18-04291	RD-5-11334-0P	75R81562
	All with OEM Part No.	7H15HD, 12V, PV6 Groove, 125MM, 2 Wire, GQ Head, Direct Mount "Heavy Duty"	4040, 4425, 4792, F69-6002-121, F69-6000,	RD-5-12332-0P	75R81632
	All with OEM Part No.	7H15HD, 12V, PV8 Groove, 119MM, 2 Wire, GQ Head, Direct Mount "Heavy Duty"	LF0111, F69-6002-111, 4432SAN, 4759	RD-5-12334-0P	75R81662
	All with OEM Part No.	7H15HD, 12V, 2A Groove, 125MM, 2 Wire, GQ Head "Heavy Duty Version"	LF0231, F69-6001-231, 4696SAN, 1CC4696, F69-1000, 18-04154,	RD-5-12523-0P	75R8772
	All with OEM Part No.	7H15HD, 12V, 2A Groove, 125MM, 2 Wire, GQ Head "Heavy Duty Version"	LF0231, F69-6001-231, 4696SAN, 1CC4696, F69-1000, 18-04154,	RD-5-12523-0P	75R8772
	All with OEM Part No.	7H15HD, 12V, 2A Groove, 125MM, 2 Wire, GQ Head	LF0231, F69-6001-231, 4426SAN	RD-5-12523-0P	75R8772
	All with OEM Part No.	QP16HD, 12V, PV8 Groove, 123MM, 2 Wire, H Head	LF0211, F69-6001-211, 252-1496, 18-04178	RD-5-12535-0P	75R81642Q
	All with OEM Part No.	QP16HD, 12V, PV8 Groove, 123MM, 2 Wire, H Head	LF0211, F69-6001-211, 4705SAN, 18-04175	RD-5-12535-0P	75R81642Q
	All with OEM Part No.	QP7H15S, 12V, PV6 Groove, 125MM, 2 Wire, GQ Head, Direct Mount "Super Duty"	F69-6003-121	RD-5-12550-1P	75R89492
	All with OEM Part No.	QP7H15S, 12V, PV8 Groove, 119MM, 2 Wire, GQ Head, Direct Mount "Super Heavy Duty"	F69-6003-111, 4759	RD-5-13207-1P	75R89502Q
	All with OEM Part No.	QP7H15S 12V, PV6, 126MM, GSA Head, Direct Mount "Super Heavy Duty"	F69-6003-122, 4079, 4379	RD-5-13209-1P	75R89522Q
	All with OEM Part No.	QP7H15S PV12, 126MM, GQ Head, Direct Mount "Super Duty"	F69-6003-151	RD-5-13210-1P	75R89532Q
	All with OEM Part No.	7H15HD, 12V, 2A Groove, 125MM, 2 Wire, GQ Head	LF0231, F69-6001-231, 4426SAN	RD-5-13212-1P	75R89552Q
	All with OEM Part No.	QP15, 12V, 2A Groove, 125MM, 2 Wire, GQ Head "Standard Duty Version"	LF0231, F69-6001-231, 4696SAN, 1CC4696, F69-1000, 18-04154,	RD-5-13212-1P	75R89552Q
	All with OEM Part No.	QP15, 12V, PV8 Groove, 119MM, 2 Wire, GQ Head, Direct Mount "Standard Duty"	F69-6001-111, 4759	RD-5-13213-1P	75R89562Q
	All with OEM Part No.	QP15 12V, PV6, 126MM, GSA Head, Direct Mount "Standard Duty"	F69-6001-122	RD-5-13215-1P	75R89582Q
	All with OEM Part No.	7H15HD, 12V, PV8 Groove, 125mm, GSA head, ear mount	F69-6003-112	RD-5-14655-0P	75R89652
	All with OEM Part No.	QP15HD, 12V, 2A Groove, 135MM, 1 Wire, F Head, R-12	LF1005, 488-25011, 18-3006, K318-36-03	RD-5-5876-1P	75R8512Q
	All with OEM Part No.	5H14HD, 12V, 2A Groove, 132MM, 1 Wire, FL Head	LE1620, 4664	RD-5-7088-0P	75R8382
	All with OEM Part No.	5H14HD, 12V, 2A Groove, 132MM, 1 Wire, FL Head	LE1620, 4644, 18-03787	RD-5-7088-0P	75R8382

PETERBILT

ON-ROAD APPLICATIONS

PETERBILT

YEAR	MODEL	DESCRIPTION	OEM PART #	FACTORY #	RedDOT #
------	-------	-------------	------------	-----------	----------

PETERBILT COMPRESSOR

	All with OEM Part No.	QP7H15, 12V, 2A Groove, 132mm, 1 Wire, JD Head	LE1620, 4664	RD-5-7088-1P	75R8382Q
	All with OEM Part No.	QP15HD, 12V, 2A Groove, 135MM, 1 Wire, D Head	LE1260,103-55011, 435-55011, 488-45011	RD-5-7145-1P	75R8612Q
	All with OEM Part No.	QP15HD, 12V, 1 VAR Groove, 159MM, 1 Wire, D Head	LE1210, 435-55065, 488-45065	RD-5-7164-1P	75R8632Q
	All with OEM Part No.	7H15HD, 12V, 2A Groove, 132MM, 2 Wire, JDA Head, Direct Mount	4695SAN, F69-1002, F69-6002-133	RD-5-7522-0P	75R8432
	All with OEM Part No.	7H15HD, 12V, 2A Groove, 132MM, 2 Wire, JDA Head, Direct Mount	4626SAN, F69-6001-153, 4626, 4695, LE1140, 1CC4696, F69-1000	RD-5-7522-0P	75R8432
	All with OEM Part No.	Rotolock, LH Suction, #8 Discharge, #10 Suction, NO CLUTCH	LC2000, LC1000, LC1005, LD1000, ER210L-25149,	RD-5-8637-0P	75R7280
	All with OEM Part No.	Tube-0, LH Suction, 1"-14 Discharge, 1"-14 Suction, NO CLUTCH	LC2100, LD1005, LC1010, LC1130, LC2120, ET210L-25150	RD-5-8638-0P	75R7290
	All with OEM Part No.	QP15HD, 12V, 1A Groove Overhang, 125MM, 1 Wire, D Head	488-45063	RD-5-8944-1P	75R8532Q
	All with OEM Part No.	QP15HD, 12V, 2A Groove, 135MM, 1 Wire, D Head	LE1135, 103-55077, 435-55077, 488-45077	RD-5-9609-10P	75R8552Q
	All with OEM Part No.	7H15HD, 12V, PV6 Groove, 125MM, 2 Wire, GQ Head, Direct Mount "Standard Duty"	F69-6001-121, 1027U3	RD-5-12332-1P	75R81632Q
1995-02	All with OEM Part No.	Tube-0, LH Suction, 1"-14 Discharge, 1"-14 Suction, 12V, 2A Groove, 6", 1 Wire	LC1140, ET210L-25073C	RD-5-11217-0P	75R7312

75R7280 RD-5-8637-0P
Fitting: 1" - 14
Universal, Standard Duty with Super Screws, Felt Ring, PRV and Ester Oil
Supplied without clutch
No connector supplied



75R7290 RD-5-8638-0P
Fitting: 1" - 14
Universal, Standard Duty with Super Screws, Felt Ring, PRV and Ester Oil
Supplied without clutch
No connector supplied



75R7332 RD-5-11219-0P
Fitting: 1" - 14
OE Replacement, Standard Duty
Clutch: 6 3/8", Poly 8, .014"
Gauge Line: 1 1/16"
Connector: 2 wire Metripak



75R81452 RD-5-11313-0P
Model: 7H15HD Head: JDA Voltage: 12
Mount: Ear Sanden: 4645
Clutch: 4.7" (119mm) Poly 7 **R134a**



75R81482 RD-5-11322-0P
Model: 7H15HD Head: JDA Voltage: 12
Mount: Ear Sanden: 4660
Clutch: 4 3/4" (119mm) Poly 8 **R134a**



75R81502 RD-5-11326-0P
Model: 7H15 Head: KC Voltage: 12
Mount: Direct Sanden: 4667
Clutch: 4.7" (119mm) Poly 8 **R134a**



75R81512 RD-5-11328-0P
Model: 7H15 Head: MDA Voltage: 12
Mount: Ear Sanden: 4672
Clutch: 4.7" (119mm) Poly 8 **R134a**



75R81562 RD-5-11334-0P
Model: 7H15HD Head: KG Voltage: 12
Mount: Ear Sanden: 4739
Clutch: 4.7" (119mm) Poly 8 **R134a**



75R81632 RD-5-12332-0P
Model: 7H15 Head: GQ Voltage: 12
Mount: Direct Sanden: 4040, 4425, 4792
Clutch: 4.9" (125mm) Poly 6 **R134a**



75R81632Q RD-5-12332-1P
Model: QP-7H15 Head: GQ Voltage: 12V
Mount: Direct Sanden: 4040, 4792
Clutch: 4.9" (125mm) Poly 6 **R134a**



75R81642Q RD-5-12535-0P
Model: QP16HD Head: GQ Voltage: 12V
Mount: Ear ICE: 2521496
Clutch: 4 3/4" (123mm) Poly 8 **R134a**



75R81662 RD-5-12334-0P
Model: 7H15 Head: GQ Voltage: 12
Mount: Direct Sanden: 4042, 4432, 4759
Clutch: 4.7" (119mm) Poly 8 **R134a**



COMPRESSOR CONTINUED ON NEXT PAGE

YEAR	MODEL	DESCRIPTION	OEM PART #	FACTORY #	RedDOT #
------	-------	-------------	------------	-----------	----------

PETERBILT

COMPRESSOR

75R8382 RD-5-7088-0P
Model: 7H15 **Head:** JD **Voltage:** 12V
Mount: Ear **Sanden:** 4509, 4510, 6664
Clutch: 5 1/4" (132mm) A2 Groove **R134a**



75R8382Q RD-5-7088-1P
Model: 5H14-HD **Head:** FL **Voltage:** 12V
Mount: Ear **Sanden:** 4509, 4639, 6664
Clutch: 5 1/4" (132mm) A2 Groove **R134a**



75R84152 RD-5-10303-0P
Model: 7H15HD **Head:** CBA **Voltage:** 12V
Mount: Direct **Sanden:** 4687
Clutch: 4.9" (125mm) Poly 6 **R-134a**



75R84162 RD-5-10262-0P
Model: 7H15HD **Head:** MDA **Voltage:** 12V
Mount: Ear **Sanden:** 4476, 4734
Clutch: 4.7" (119mm) Poly 8 **R-134a**



75R84292 RD-5-10273-0P
Model: 7H15 **Head:** GSA **Voltage:** 12V
Mount: Direct **Sanden:** 4039, 4424, 4731
Clutch: 4.9" (125mm) Poly 6 **R134a**



75R84312 RD-5-10274-0P
Model: 7H15HD **Head:** JDA **Voltage:** 12V
Mount: Ear **Sanden:** 4433, 4484, 4740
Clutch: 4.9" (125mm) A2 Groove **R134a**



75R8432 RD-5-7522-0P
Model: 7H15HD **Head:** JDA **Voltage:** 12V
Mount: Direct **Sanden:** 4626, 4695
Clutch: 5 1/4" (132mm) A2 Groove **R134a**



75R8512Q RD-5-5876-1P
Model: QP-15HD **Head:** F **Voltage:** 12V
Mount: Ear **ICE:** 2521121 **Seltec:** 488-25011
Clutch: 5 1/4" (135mm) 2 Groove **R-12**



75R8532Q RD-5-8944-1P
Model: QP-15HD **Head:** D **Voltage:** 12V
Mount: Ear **ICE:** 2521166 **Seltec:** 488-45063
Clutch: 5" (125mm) 1 Groove overhang **R134a**



75R8552Q RD-5-9609-10P
Model: QP-15HD **Head:** D **Voltage:** 12V
Mount: Ear **ICE:** 2521301 **Seltec:** 488-45077
Clutch: 5 1/4" (135mm) 2 Groove **R134a**



75R8612Q RD-5-7145-1P
Model: QP-15HD **Head:** D **Voltage:** 12V
Mount: Ear **ICE:** 2521152 **Seltec:** 488-45011
Clutch: 5 1/4" (135mm) 2 Groove **R134a**



75R8632Q RD-5-7164-1P
Model: QP-15HD **Head:** D **Voltage:** 12V
Mount: Ear **ICE:** 2521167 **Seltec:** 488-45065
Clutch: 6 1/4" (159mm) Variable 1 Groove **R134a**



75R8772 RD-5-12523-0P
Model: 7H15 **Head:** GQ **Voltage:** 12V
Mount: Ear **Sanden:** 4041, 4426, 4696
Clutch: 4.9" (125mm) A2 Groove **R134a**



75R89492 RD-5-12550-0P
Model: 7H15FLX **Head:** GQ **Voltage:** 12V
Mount: Direct **Sanden:** 4080
Clutch: 4.9" (125mm) Poly 6 **R134a**



75R89502Q RD-5-13207-1P
Model: QP7H15S **Head:** GQ **Voltage:** 12V
Mount: Direct **Sanden:** 4077, 4368
Clutch: 4 3/4" (119mm) Poly 8 **R-134a**



75R89522Q RD-5-13209-1P
Model: QP7H15S **Head:** GSA **Voltage:** 12V
Mount: Direct **Sanden:** 4079, 4379
Clutch: 5" (126mm) Poly 6 **R-134a**



75R89532Q RD-5-13210-1P
Model: QP7H15S **Head:** GQ **Voltage:** 12V
Mount: Direct **Sanden:** 4078, 4370
Clutch: 5" (126mm) Poly 12 **R-134a**



75R89582Q RD-5-13215-1P
Model: QP7H15 **Head:** GSA **Voltage:** 12V
Mount: Direct
Sanden: 4039, 4424, 4731, 4376, 5362
Clutch: 4.9" (125mm) Poly 6 **R-134a**



75R89652 RD-5-14655-0P
Model: 7H15SHD **Head:** GSA **Voltage:** 12V
Mount: Direct **Sanden:** 4081
Clutch: 4.7" (119mm) Poly 8 **R-134a**



YEAR	MODEL	DESCRIPTION	OEM PART #	FACTORY #	RedDOT #
------	-------	-------------	------------	-----------	----------

PETERBILT

CONDENSER

1987-97	357, 377, 378, 379, 385 Conv	Radiator Mount	18-03543, 23-12753 KIT	RD-4-5462-0P	77R0580
1988-00	320, 320 LCF	Radiator Mount	18-03903, RD4-4931-0	RD-4-4931-0P	77R0665
1994-07	357, 377, 378, 379, 385 Conv	Radiator Mount	18-04015, 18-03809	RD-4-5658-0P	77R6950
1999-04	377, 378, 379, 385, 386, 387, 388, 389 Conv	Radiator Mount	1E4582	RD-4-7020-0P	77R0705
2001-04	377, 378, 379, 385, 386, 387, 388, 389	Radiator Mount	F31-6097, 3S011268, 18-04454	RD-4-7018-0P	77R0710
2003-09	330	Radiator Mount, with Pad Fittings	18-03722	RD-4-7017-0P	77R6982
2004-08	289, 330, 349, 353, 357, 359, 375, 376, 377, 378, 379, 387	Radiator Mount, with Pad Fittings	F31-6043, 1E6043	RD-4-6812-0P	77R1335
2006-07	335, 340 Conventional	Radiator Mount, with Pad Fittings	F31-6042	RD-4-6812-0P	77R1335
2006-08	330, 335, 340	Condenser	3S010633	RD-4-7363-0P	77R8365
2008-12	365, 367, 387, 587	Radiator Mount	N4778001, R0440001, M3611002	RD-4-7081-0P	77R8305
2008-12	388	Radiator Mount	R0337001	RD-4-7353-0P	77R8310

77R0580 RD-4-5462-0P

Serpentine Coil Type
Overall Width: 29 3/4"
Fin Width: 28 1/2"
Height: 10"
Thickness: 1 1/2"



77R0665 RD-4-4931-0P

Tube & Fin Coil Type
Overall Width: 35 7/8"
Fin Width: 30"
Height: 16 1/2"
Thickness: 1 3/4"



77R0705 RD-4-7020-0P

Overall Width: 34"
Fin Width: 29 1/2"
Height: 24"
Thickness: 7/8"



77R0710 RD-4-7018-0P

Tube & Fin Type
Overall Width: 31"
Fin Width: 28 1/4"
Height: 28 1/2"
Thickness: 1 1/2"



77R1335 RD-4-6812-0P

MultiFlow Type
Overall Width: 35 1/2"
Fin Width: 31 3/4"
Height: 25"
Thickness: 3/4"



77R6950 RD-4-5658-0P

Tube & Fin Type
Overall Width: 31"
Fin Width: 28"
Height: 33 1/32"
Thickness: 1 1/4"



77R6982 RD-4-7017-0P

Grilldenser Type
Overall Width: 35 1/2"
Fin Width: 33"
Height: 17 1/4"
Thickness: 1 1/4"



77R8305 RD-4-7081-0P

Overall Width: 34"
Fin Width: 33"
Height: 22"
Thickness: 1/2"



77R8310 RD-4-7353-0P

Overall Width: 35"
Fin Width: 31 3/4"
Height: 20"
Thickness: 1/2"



77R8365 RD-4-7363-0P

Overall Width: 38"
Fin Width: 31"
Height: 15 1/4"
Thickness: 3/4"



YEAR	MODEL	DESCRIPTION	OEM PART #	FACTORY #	RedDOT #
------	-------	-------------	------------	-----------	----------

PETERBILT

EVAPORATOR

1981-02	362 C.O.E, 372 C.O.E.	Evaporator Coil	NB10050, NB1005	RD-2-1610-0P	76R7010
1986-93	357, 365, 367, 375, 377, 378, 379, 382, 384, 385, 386, 387, 388, 389, 587	Evaporator Coil	151280, 15128P, NA1005	RD-2-2502-0P	76R6960
1987-93	357, 365, 367, 375, 377, 378, 379, 382, 384, 385, 386, 387, 388, 389, 587	Evaporator Coil	RD2-1402-0	RD-2-1402-0P	76R6150
1987-93	357, 365, 367, 375, 377, 378, 379, 383, 384, 385	Evaporator Coil	NC1000, RD2-1485-0	RD-2-1485-0P	76R6850
1987-99	Conventional, C.O.E.	Evaporator Coil	RD2-1402-0, NA1040	RD-2-1402-0P	76R6150
1988-96	310	Evaporator Coil	RD2-1485-0	RD-2-1485-0P	76R6850
1996-14	320	Evaporator Coil	108291, NA1295	RD-2-2928-0P	76R6040
2000-06	330, 335, 340	Evaporator Coil	3X010018	RD-2-6299-0P	76R7730
2008-10	357, 365, 367, 375, 377, 378, 379, 382, 384, 385, 386, 389	Evaporator Coil	3X011171	RD-2-6299-0P	76R7730

77R6040 RD-2-2928-0P
8 3/4" high x 21 1/2" long x 2 7/8" wide



76R6150 RD-2-1402-0P
8" high x 8" long x 3 1/2" wide



76R6850 RD-2-1485-0P
8" high x 12" long x 3 13/32" wide



76R6960 RD-2-2502-0P
8" high x 12 1/4" long x 3 1/2" wide



76R7010 RD-2-1610-0P
8" high x 14 1/2" long x 2 7/8" wide



EXPANSION VALVE

1987-96	320	Block, #6 #10 #8 #8, with Mounting Holes	EA10650, EA1065, RD5-6868-0	RD-5-6868-1P	71R8301
1997-07	320	Block, #6 #10 #8 #10, with Mounting Holes	EA10660, EA13150, EA1315, 540035	RD-5-7015-1P	71R8321
1999-07	379	Block, #6 #10 #8 #8, Flange Mount, with M10 & M12 Schrader	540057, F90-6001	RD-5-8936-0P	71R8430
1999-11	387	Block, #6 #10 #8 #8, Flange Mount	540056	RD-5-7179-0P	71R8420
2007-11	387	Block, #6 #10 #8 #8, Flange Mount, with M10 & M12 Schrader	549708, 540057BSM, F90-6001	RD-5-8936-0P	71R8430
2009-12	All with OEM Part No.	Main Unit M10, M12 ports block type	549708BSM	RD-5-8936-0P	71R8430

71R8301 RD-5-6868-0P
Inlet: #6 (3/8") Female O-Ring
Outlet: #10 (5/8") Female O-Ring
Evaporator Fittings
In: #8 (1/2") Female O-Ring
Out: #8 (1/2") Female O-Ring
Superheat Rating: 5°F
Pressure Limit: 80 psig @40°F



71R8321 RD-5-7015-0P
High Capacity (2 Ton)
Inlet: #6 (3/8") Female "O" Ring
Outlet: #10 (5/8") Female O-Ring
Evaporator Fittings
In: #8 (1/2") Female O-Ring
Out: #10 (5/8") Female O-Ring
Superheat Rating: 8°F
Pressure Limit: 53.5 psig @75°F



71R8420 RD-5-7179-0P
Inlet: #6 Plate (Flange) Mount
Outlet: #10 Plate (Flange) Mount
Evaporator Fittings
In: #8 Plate (Flange) Mount
Out: #8 Plate (Flange) Mount
Superheat Rating: 8.5°F
Pressure Limit: 53.5 psig @90°F



71R8430 RD-5-8936-0P
With Schrader Port (2-ton)
Inlet: #6 (3/8") Plate (Flange) Mount
Outlet: #10 (5/8") Plate (Flange) Mount
Evaporator Fittings
In: #8 (1/2") Plate (Flange) Mount
Out: #8 (1/2") Plate (Flange) Mount
Superheat Rating: 8.5°F
Pressure Limit: 53.5 psig @90°F



ON-ROAD APPLICATIONS

PETERBILT

YEAR	MODEL	DESCRIPTION	OEM PART #	FACTORY #	RedDOT #
------	-------	-------------	------------	-----------	----------

PETERBILT

FAN

All	All with OEM Part No.	Fan, Defrost, Universal, 12 Volt, 2 Speed	HD1130, HG1040, PB2-14, 2899-006-026, 038, 051	RD-5-5796-0P	73R9062
All	All with OEM Part No.	Fan, Defrost, Universal, 24 Volt, 2 Speed	HD10250, HD1025, 2899-006-056	RD-5-5796-24P	73R9064

73R9062 RD-5-5796-0P
12V, Metal Cage



73R9064 RD-5-5796-24P
24V, Metal Cage



HEATER CORE

1981-02	362, 372 C.O.E.	Heater Core	MC11000, MC1100	RD-1-0715-0P	76R3460
1988-03	320	Heater Core	MC11000, MC1100	RD-1-0715-0P	76R3460
2014-16	579	Heater Core - Bunk unit	3599598C1, 85104200	RD-5-14621-0P	76R3495

76R3460 RD-1-0715-0P
8" high x 14 1/2" long x 2 1/2" wide



76R3495 RD-5-14621-0P
6" high x 11" long x 2" wide



ORIFICE TUBE

1994-09	357, 377, 378, 379, 385 Conv	Orifice Tube - Red	EC10150, EC1015, EC2500-01S, P93CAB2500-01S	RD-5-9564-1P	71R8505
1998-05	357, 377, 378, 379, 385 Conventional	Orifice Tube - Orange	EC10250, EC1025, EC010061, 5X010061	RD-5-10011-0P	71R8504

71R8504 RD-5-10011-0P
Orange - Length: 3.46", O.D.: .429", Orifice: .057"



71R8505 RD-5-9564-1P
Red - Length: 3.46", O.D.: .425", Orifice: .062"



YEAR	MODEL	DESCRIPTION	OEM PART #	FACTORY #	RedDOT #
------	-------	-------------	------------	-----------	----------

PETERBILT

PRESSURE SWITCH

1977-00	All with OEM Part No.	Switch, Pressure, High, NO	BA12500, BA1250, RD5-6394-0, 18-03163	RD-5-6394-0P	71R6080
1986-00	357, 375, 376, 377, 378, 379 Conventional	Switch, Air Pressure, NC	BA12250, BA1225, RD5-4475-0	RD-5-4475-0P	72R0050
1986-00	357, 375, 376, 377, 378, 379 Conventional	Switch, Air Pressure, NO	BB10100, BB1010, RD5-5538-0	RD-5-5538-0P	72R0070
1988-95	357, 375, 377, 378, 379 Conventional	Switch, Pressure, High, NO	18-03600, 20PS40-11, BOA 80-942-01-695	RD-5-6430-0P	71R6110
1988-96	357, 375, 377, 378, 379 Conventional	Switch, Pressure, Low, NO	BB10050, BB1005, 20PS39-10, 18-03285	RD-5-6395-0P	71R6040
1988-97	362, 372, 375, 376, 377, 378, 379	Switch, Pressure, Low, NO	BB10000, BB1000, 71R6050, 2299005, 404097	RD-4191-0P	71R6050
1993-10	330, 335, 340, 349, 352, 353, 357, 359, 362, 365, 367, 372, 372 C.O.E., 375, 376, 377, 378, 379, 385, 386, 387	Switch, Pressure, Low, NO	18-03836, P93CAA3606-01	RD-5-8218-0P	71R6160
1994-10	357, 375, 377, 378, 379, 385 Conventional	Switch, Pressure, Low, NO	18-04331, 18-03834, P93CAA3604-01	RD-5-8219-0P	71R6170
1994-10	330, 357, 375, 377, 378, 379, 385 Conv	Switch, Pressure, High, NC	18-03835, P93CAA3605-01, 650697BSM	RD-5-8220-0P	71R6180
All	All with OEM Part No.	Switch, Pressure, Trinary, NO	BC10000, BC1000, BSM865700	RD-5-4583-0P	71R7550
All	All with OEM Part No.	Switch, Pressure, Trinary, NO	BC10050, BC1005, RD5-4585-0	RD-5-4585-0P	71R7500
All	All with OEM Part No.	Switch, Pressure, Trinary, NC	BA12400, BA1240, RD-5-4625-0	RD-5-4625-0P	71R7650
All	All with OEM Part No.	Switch, Pressure, High, NO	18-03601, 20PS39-16	RD-5-4912-0P	71R6100

71R6040 RD-5-6395-0P

Type: Low Side
Fitting / Connector: 1/4" female flare / male bullet, female receptacle
Normally Open - Closes at 35 PSI - Opens at 15 PSI



71R6050 RD-4191-0P

3/8"-24 UNF-2A male threads O-Ring
Normally open - closes at 27 PSIG



71R6080 RD-5-6394-0P

Type: High Side
Fitting / Connector: 1/4" female flare / two-conductor Metripak
Normally Open - Closes at 215 PSI - Opens at 170 PSI



71R6100 RD-5-4912-0P

Type: High Side
Fitting / Connector: 1/4" female flare
Normally Open - Closes at 250 PSI - Opens at 190 PSI



71R6110 RD-5-6430-0P

Type: High Side -
Fitting / Connector: 1/4" female flare / two-conductor male Weatherpak
Normally Open - Closes at 300 PSI - Opens at 210 PSI



71R6160 RD-5-8218-0P

Type: High Side - Fan Override - Gray
Fitting / Connector: M10 x 1.25 female / integral two-prong (oval)
Normally Open - Closes at 270 PSI - Opens at 200 PSI
Mating Plug: Packard #12052643



71R6170 RD-5-8219-0P

Type: Low Side - Beige housing, Black port,
Fitting / Connector: M12 x 1.5 female / integral two-prong
Normally Open - Closes at 47 PSI - Opens at 23 PSI
Mating Plug: Packard #12052643



71R6180 RD-5-8220-0P

Type: High Side - Purple
Fitting / Connector: M10 x 1.25 female - integral two-prong (oval)
Normally Closed - Closes at 180-240 PSI - Opens at 330-370 PSI Plug: Packard #12052643



71R7500 RD-5-4585-0P

3/8"-24 UNF-2A
Male thread with bulkhead seal, 2-012 O-Ring
Shutter/fan switch is normally open



71R7550 RD-5-4583-0P

3/8"-20 UNF-2B
Female thread for male Schrader
Shutter/fan switch is normally open



71R7650 RD-5-4625-0P

3/8"-20 UNF-2B
Female thread for male Schrader
Shutter/fan switch is normally closed



72R0050 RD-5-4475-0P

Normally Closed,
Opens At 25 PSIG
1/4"-27 NPTF Male



72R0070 RD-5-5538-0P

Normally Open,
Closes at 21 TO 29 PSIG
1/4"-27 NPTF Male



ON-ROAD APPLICATIONS

PETERBILT

YEAR	MODEL	DESCRIPTION	OEM PART #	FACTORY #	RedDOT #
------	-------	-------------	------------	-----------	----------

PETERBILT

RECEIVER DRIER

1988-04	362, 372 C.O.E.	3"x8 1/2", #6 MOR in, #6 MOR out, PRV, Side Glass, Top Port	JA10850, JA1085, 088248, 18-01800	RD-5-4955-0P	74R2706
1993-97	Conventional, C.O.E.	3"x8 1/4", #6 MOR in, #6 FOR out, PRV, Top Glass, Moisture ind, 1/4" Top Switch Port (2)	JA2145, 088301-00, 18-03783	RD-5-10735-1P	74R3157
1994-02	357, 377, 378, 379, 385 Conventional	Right Angle, O Ring, with Capillary	BH3804-02S, P93CAC3804-02S, EA3900-02S, P93CAC3900-02S, P93CAC3900-01S	RD-5-10734-0P	71R8090
1999-05	All with OEM Part No.	Sleeper Unit	540044BSM	RD-5-10447-0P	71R8405
2000-10	387	3"x10 11/16", Slimline Manifold Block	JA22250, JA2225, F37-6000	RD-5-10434-1P	74R2002
2009-11	365, 367	Drier with PAD mount fittings	F37-6009, F37-6011	RD-5-14638-0P	74R2006
2009-11	All with OEM Part No.	3"x10 11/16", Slimline Manifold Block	F37-6008, F37-6009	RD-5-14639-0P	74R2016
2009-11	382, 385, 386, 387, 388, 389	Drier with PAD mount fittings	F37-6008, F37-6010	RD-5-14639-0P	74R2016
2010-12	325, 330, 335, 340	Drier with PAD mount fittings	F37-6002, F37-6013	RD-5-14640-0P	74R2016
2011-12	587	Expansion Valve sleeper with flange type	540056BSM	RD-5-10333-0P	71R8440
2014-16	579	Drier with PAD mount fittings	F37-1017-100, F37-1022-100	RD-5-15703-0P	74R4219
2014-16	579	Drier with PAD mount fittings	F37-1017-200, F37-1022-200	RD-5-16204-0P	74R4220

71R8090 RD-5-10734-0P

Internal Equalizer
Inlet: M16 x 1.5
Outlet: M20 x 1.5
Capillary Tube
Length: 16"
Rating: 1 1/2 Ton



71R8405 RD-5-10447-0P

With Schrader Port
Inlet: #6 (3/8") Female O-Ring
Outlet: #10 (5/8") Female O-Ring
Evaporator Fittings
In: #8 (1/2") Female O-Ring
Out: #8 (1/2") Female O-Ring
Superheat Rating: 8°F
Pressure Limit: 53.5 psig @75°F



71R8440 RD-5-10333-0P

Inlet: #6 (3/8") Plate (Flange) Mount
Outlet: #12 (3/4") Plate (Flange) Mount
Evaporator Fittings
In: #8 (1/2") Plate (Flange) Mount
Out: #10 (5/8") Plate (Flange) Mount
Superheat Rating: 5.5°F
Pressure Limit: 65.7 psig @90°F



74R2002 RD-5-10434-1P

3" diameter x 10 1/4" long
Flange Type
Slimline Manifold Block
High Capacity



74R2006 RD-5-14638-0P

3" diameter x 10" long
Flange Fittings



74R2016 RD-5-14639-0P

3" diameter x 10" long
Flange Fittings



74R2016 RD-5-14640-0P

3" diameter x 10" long
Flange Fittings



74R2706 RD-5-4955-0P

3" diameter x 8 1/2" long
#6 Male O-Ring
Pressure Relief
Top Port



74R3157 RD-5-10735-1P

Includes Moisture Indicator
3" diameter x 8" long
#6 Male O-Ring Inlet
#6 Female O-Ring Outlet
2 Schrader Ports
Pressure Relief
Top Port (2)



RELAY

1986-10	All with OEM Part No.	Relay, Blower, 12V, 20/30A, Tab Mount, 5 Terminals	CB11150, CB1115, 652420	RD-5-4408-0P	71R1702
1986-10	All with OEM Part No.	Relay, Blower, 24V, 20/30A, Tab Mount, 5 Terminal	650690	RD-5-4417-0P	71R1704
1986-10	All with OEM Part No.	Relay, Blower, 12V, 30/40A, Socket Mount	650731	RD-5-9915-0P	71R1722
1997-12	320	Relay, Blower, 12V, 20/30A, Tab Mount, 5 Terminals	CB11150, CB1115, CB10050, CB1005, 652420	RD-5-4408-0P	71R1702

71R1702 RD-5-4408-0P

12V Relay, 30/20 amps,
SPDT, 5 terminals Bosch type



71R1704 RD-5-4417-0P

24V Relay, 20/10 amps, Bosch type
SPDT, 5 terminals



71R1722 RD-5-9915-0P

12V Relay with Diode,
40/30 amps,
SPST, 5 terminals



YEAR	MODEL	DESCRIPTION	OEM PART #	FACTORY #	RedDOT #
------	-------	-------------	------------	-----------	----------

PETERBILT

RESISTOR

1973-96	320	Resistor, Blower Speed, Bakelite Back, 3 Terminal, 3 Speed	CA1010	RD-5-10441-0P	71R1463
1973-96	All with OEM Part No.	Resistor, Blower Speed, Bakelite Back, 3 Terminal, 3 Speed	CA1000, CA1005, 220990	RD-5-3647-0P	71R1450
1987-00	All with OEM Part No.	Resistor, Blower Speed, Bakelite Back, 3 Terminal, 3 Speed	CA10000, CA1000, RD5-3647-0	RD-5-3647-0P	71R1450
1988-96	357, 377, 378, 379 Conventional	Resistor, Blower, Potentiometer, Sliding Lever	CA10250, CA1025, RD6-4661-1	RD-6-4661-1P	71R1510
1991-96	All with OEM Part No.	Resistor, Blower Speed, Bakelite Back, 3 Terminal, 3 Speed	CA10350, CA1035	RD-5-10341-0P	71R1457
1995-09	All with OEM Part No.	Resistor, Blower Speed, Bakelite Back, 3 Terminal, 3 Speed	CA10350, CA1035, 650179	RD-5-10341-0P	71R1457

71R1450 RD-5-3647-0P
3 Terminals (3/4" blade) / 3 Speeds
Bakelite base: 2 3/4" x 1 1/2" x .10" thick - Height: 1"



71R1457 RD-5-10341-0P
3 Terminals (1/4" blade) / 3 Speeds
Bakelite base: 3" x 1 1/4" x .10" thick - Height: 1 1/4"



71R1463 RD-5-10441-0P
3 Terminals (1/4" blade) / 3 Speeds
Bakelite base: .10" thick



71R1510 RD-6-4661-1P
Variable resistor assembly, sliding potentiometer with lever - Two Contacts
Length: 2" Diameter: 2 1/2" Height: 1 3/4"



SWITCH

	Conventional, 377, 378, 379, 385, 387, 388, 389	Fan Override Switch (Orange Body) 2 pin	BSM650469	RD-5-15305-0P	71R6157
	All with OEM Part No.	Switch, Air, Toggle, NPT	BA13550, BA1355, MA1265, RD5-3827-6	RD-5-3827-6P	72R0260
	All with OEM Part No.	Switch, Air, Toggle, Push Lock	BA14500, BA1450, BA1210, 08-02445, RD5-5721-0	RD-5-5721-0P	72R0600
	All with OEM Part No.	Switch, Air, Toggle, Push-Lock	BA16300, BA1630, RD5-5721-1	RD-5-5721-1P	72R0190
1976-01	Conventional	Valve, Solenoid, 12V, #6 MOR	CD10000, CD1000, RD4188-0	RD-4188-0P	71R9002
1976-01	All with OEM Part No.	Switch, Air, Push Button, Chrome, NPT	BA12350, BA1235, RD5-3827-4	RD-5-3827-4P	72R0240
1976-95	All with OEM Part No.	Switch, Micro, 2 Terminal, with Arm	BA10800, BA1080, BA1045, RD5-8490-0, 652100	RD-5-8490-0P	71R1610
1993-05	330, 335, 340, 349, 352, 353, 357, 359, 362, 365, 367, 372, 372 C.O.E., 375, 376, 377, 378, 379, 385, 386, 387	Circuit Breaker, 30A, Push Button Reset	CC10200, CC1020, K1110-0552-30	RD-5-5874-0P	71R1300
1993-05	330, 335, 340, 349, 352, 353, 357, 359, 362, 365, 367, 372, 372 C.O.E., 375, 376, 377, 378, 379, 385, 386, 387	Circuit Breaker, 15A, Push Button Reset	CC10150, CC1015, K1110-0548-15	RD-5-6602-0P	71R1310
1993-05	330, 335, 340, 349, 352, 353, 357, 359, 362, 365, 367, 372, 372 C.O.E., 375, 376, 377, 378, 379, 385, 386, 387	Circuit Breaker, 20A, Push Button Reset	K1110-0548-20	RD-5-6714-0P	71R1315
1993-05	330, 335, 340, 349, 352, 353, 357, 359, 362, 365, 367, 372, 372 C.O.E., 375, 376, 377, 378, 379, 385, 386, 387	Switch, Micro, 2 Terminal, with Arm	BA10800, BA1080, BOA-80-908-00-219	RD-5-8490-0P	71R1610
All	All with OEM Part No.	Switch, Rotary, 3 Speed, Short Shaft, 5 Terminal	BA1020, BA1190, BA1390, BOA-80-926-00-059, 101019Q	RD-5-9833-0P	71R1160

SWITCH CONTINUED ON NEXT PAGE

YEAR	MODEL	DESCRIPTION	OEM PART #	FACTORY #	RedDOT #
------	-------	-------------	------------	-----------	----------

PETERBILT

SWITCH

71R1160 RD-5-9833-0P 3 speed, Short Shaft DP3T 4-position 5 terminals 25 amps Mounting hole: .442" x .385" - "D" hole 	71R1300 RD-5-5874-0P Current Rating: 30 amp Maximum operating voltage: 50VDC @250VAC Terminal: 3/4" blade Dimensions: 1 3/8" x 1 3/8" x 3/4" Mounting: 3/8", 28 thread 	71R1310 RD-5-6602-0P Current Rating: 15 amp Maximum operating voltage: 50VDC @250VAC Terminal: 3/4" blade Dimensions: 1 3/8" x 1 3/8" x 3/4" Mounting: 3/8", 28 thread 	71R1315 RD-5-6714-0P Current Rating: 20 amp Maximum operating voltage: 50VDC @250VAC Terminal: 3/4" blade Dimensions: 1 3/8" x 1 3/8" x 3/4" Mounting: 3/8", 28 thread 
71R1610 RD-5-8490-0P 8 amp, 12 volt, SPDT, 2 terminals Normally Open, Base: 1 1/4" x 3/4" x 3/4" 	71R6157 RD-5-15305-0P Caterpillar Pressure Switch 7/16 - 20 UNF LP: 28 PSI HP: 350 PSI Red- 	71R9002 RD-4188-0P #6 Male O-Ring Fitting 12 volt 	72R0190 RD-5-5721-1P Black Toggle with Quick Connect fittings 1/4" in and 1/4" out 
72R0240 RD-5-3827-4P Chrome Push Button Momentary Off/ Maintain On 	72R0260 RD-5-3827-6P Black Toggle 	72R0600 RD-5-5721-0P Black Toggle with Quick Connect fitting 1/4" In and 1/4" Out 	

THERMOSTAT

1987-00	Conventional, C.O.E.	Fixed, 24" Probe	323010BSM, BD11050, BD1105, BD1095, RD5-4531-24, 1-4183Q	RD-5-4531-24P	71R3200
1987-00	375, 376, 377, 378, 379	Fixed, 24" Probe	BD11050, BD1105, 404145	RD-5-4531-24P	71R3200
1987-11	320	Fixed, 24" Probe	BD11050, BD1105, 589490, BD10750, BD1075	RD-5-4531-24P	71R3200
1987-16	320	Fixed, 24" Probe	BD10750, BD1075, RD4427-24	RD-4427-24P	71R3100
1988-04	362	Fixed, 24" Probe	BD11050, BD1105, RD5-4531-24	RD-5-4531-24P	71R3200
1995-99	Conventional	Fixed, 24" Probe	P93CAA4230-02S	RD-5-4531-24P	71R3200
1999-10	387	Fixed, 12" Probe	BD13550, BD1355, 650163BSM	RD-5-8938-0P	71R3160

71R3100 RD-4-4272-4P Mounting hole spacing: 2 1/4" Capillary Length: 24" Type: Fixed Temp. Range: 34°- 38°F Clutch Cycle Range: 5°F 	71R3160 RD-5-8938-0P Capillary Length: 12" Type: Fixed Temp. Range: 31°- 40°F Clutch Cycle Range: 8°F 	71R3200 RD-5-4531-24P Mounting hole spacing: 2 1/4" Capillary Length: 24" Type: Fixed (side mount) Temp. Range: 31°- 39°F Clutch Cycle Range: 8°F 
--	---	---

WATER VALVE

1983-00	All with OEM Part No.	Cable Controlled, 5/8" Hose, Offset, Pull to Close	MA10100, MA1010	RD-5-10344-0P	72R6520
1987-00	357, 375, 377, 378, 379 Conventional	Cable Controlled, 5/8" Hose, STR-90°, Pull to Close	MA12050, MA1205, RD5-5495-0	RD-5-5495-2P	72R5270
1987-00	357, 375, 377, 378, 379 Conventional	Air Controlled, 5/8" Hose, Offset	MA10850, MA1085, RD5-5138-0	RD-5-8857-0P	72R6420
1987-96	320	Cable Controlled, 5/8" Hose, STR-Core, Pull to Close	MA11100, MA1110, 867405	RD-5-10345-0P	72R6530
All	362	Cable Controlled, 5/8" Hose, STR-STR, Pull to Close	MA11000, MA1100, RD5-5300-0	RD-5-5300-0P	72R5200

72R5200 RD-5-5300-0P 3/8" Hose to 3/8" Hose Pull To Close 	72R5270 RD-5-5495-2P 3/8" Hose to 3/8" Hose 90° Elbow* Pull To Close 	72R6420 RD-5-8857-0P 3/8" Hose to 3/8" Hose 	72R6520 RD-5-10344-0P 3/8" Hose to 3/8" Hose 
72R6530 RD-5-10345-0P 3/8" Hose to Core Mount - Pull to Close 			

YEAR	MODEL	DESCRIPTION	OEM PART #	FACTORY #	RedDOT #
------	-------	-------------	------------	-----------	----------

STERLING

ACCUMULATOR

1997-06	A-Line, Acterra, L-Line, 5500 - 8500, Silverstar	Accumulator with 134A charge port and pressure switch port, inlet 5/8" (#10), outlet 3/4" (#12)	F6HZ-19C836A, XC4H-19E647AA	RD-5-11546-0P	74R5095
2000-10	A-Line, Acterra	Accumulator with 134A charge port and pressure switch port, inlet 5/8" (#10), outlet 3/4" (#12)	4C4H19C808-AA	RD-5-11546-0P	74R5095

74R5095 RD-5-11546-0P

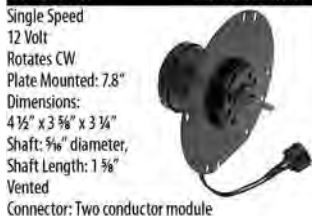


3 1/2" diameter x 8" long
Inlet: 5/8" (#10) Male Insert O-Ring
Outlet: 3/4" (#12) Male Insert O-Ring

BLOWER MOTOR

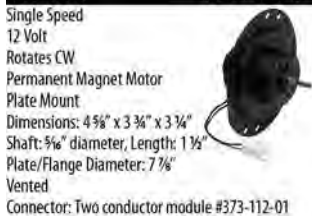
1998-00	A-Line, Acterra, L-Line, 5500 - 8500, Silverstar	Flange motor	F1HZ19805	RD-5-11843-0P	73R3092
1998-10	A-Line, Acterra, L-Line, 5500 - 8500, Silverstar	A/C and heater 7 7/8" flange motor, CW, vented, shaft length 1 1/2"	XC4H-19805-AA	RD-5-10387-0P	73R2142
1998-10	A-Line, Acterra, L-Line, 5500 - 8500, Silverstar	A/C and heater flange mounted motor, CW, vented, shaft length 1 5/8"	F6UZ-19805BA, F8HH-19805AA, F8HZ-19805AA, BA, X4CZ-19805BA	RD-5-11579-0P	73R3072

73R2142 RD-5-10387-0P



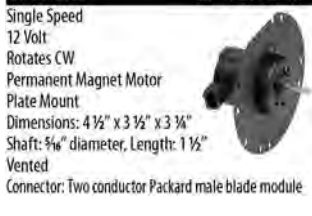
Single Speed
12 Volt
Rotates CW
Plate Mounted: 7.8"
Dimensions:
4 1/2" x 3 3/8" x 3 3/4"
Shaft: 5/8" diameter,
Shaft Length: 1 3/8"
Vented
Connector: Two conductor module

73R3072 RD-5-11579-0P



Single Speed
12 Volt
Rotates CW
Permanent Magnet Motor
Plate Mount
Dimensions: 4 5/8" x 3 3/4" x 3 3/4"
Shaft: 5/8" diameter, Length: 1 1/2"
Plate/Flange Diameter: 7 7/8"
Vented
Connector: Two conductor module #373-112-01

73R3092 RD-5-11843-0P



Single Speed
12 Volt
Rotates CW
Permanent Magnet Motor
Plate Mount
Dimensions: 4 1/2" x 3 1/2" x 3 3/4"
Shaft: 5/8" diameter, Length: 1 1/2"
Vented
Connector: Two conductor Packard male blade module

COMPRESSOR

	A-Line, Acterra, L-Line, 5500 - 8500, Silverstar	7H15, WH head, direct mount, poly 8 groove, 4.7"(119mm) diameter	4422	RD-5-11237-0P	75R81152
	A-Line, Acterra, L-Line, 5500 - 8500, Silverstar	7H15, WJ head, direct mount, poly 6, 4.9"(125mm) diameter	4423	RD-5-11238-0P	75R81162
	A-Line, Acterra, L-Line, 5500 - 8500, Silverstar	7H15, WJ head, ear mount, 2A groove, 5 1/4" (132mm) diameter	4469, 4603, F4HT-19D629-CA	RD-5-11241-0P	75R81192
1997-03	A-Line, Acterra, L-Line, 5500 - 8500, Silverstar	7H15, GV head, ear mount, poly 8 groove, 4.7"(119mm) diameter	4482, 4885	RD-5-10267-0P	75R84232
1997-03	A-Line, Acterra, L-Line, 5500 - 8500, Silverstar	7H15, GV head, ear mount, poly 8 groove, 4.7"(119mm) diameter	4817	RD-5-10267-0P	75R84232
1997-04	A-Line, Acterra, L-Line, 5500 - 8500, Silverstar	7H15, WJ head, direct mount, poly 6, 4.9"(125mm) diameter	4810	RD-5-10275-0P	75R84352
1997-06	A-Line, Acterra, L-Line, 5500 - 8500, Silverstar	7H15, WH head, direct mount, poly 8 groove, 4.7"(119mm) diameter	4486, 4767	RD-5-11237-0P	75R81152
1997-06	A-Line, Acterra, L-Line, 5500 - 8500, Silverstar	7H15, WH head, direct mount, poly 8 groove, 4.7"(119mm) diameter	4486, 4767, A22-48973-000	RD-5-11237-0P	75R81152
1997-06	A-Line, Acterra, L-Line, 5500 - 8500, Silverstar	7H15, WJ head, ear mount, poly 8 groove, 4.7"(119mm) diameter	4305	RD-5-11239-0P	75R81172
1997-06	A-Line, Acterra, L-Line, 5500 - 8500, Silverstar	7H15, WH head, direct mount, 1A groove 6 1/2" (169mm) diameter	4470, 4602, F4HT-19D629-BA	RD-5-11242-0P	75R81202
1997-06	A-Line, Acterra, L-Line, 5500 - 8500, Silverstar	7H15, WJ head, ear mount, poly 8 groove, 4.7"(119mm) diameter	4427, 4718	RD-5-11259-0P	75R81392
1998-02	A-Line, Acterra, L-Line, 5500 - 8500, Silverstar	TCCI, Tube-0, LH Suction, 1"-14 Discharge, 1"-14 Suction, NO CLUTCH	F7HS-19D629AA, ET210L-25150, C	RD-5-8638-0P	75R7290
1998-05	A-Line, Acterra, L-Line, 5500 - 8500, Silverstar	7H15, WH head, direct mount, poly 8 groove, 4.7"(119mm) diameter	7804, F4HT-19D629-AA	RD-5-11245-0P	75R81252

COMPRESSOR CONTINUED ON NEXT PAGE

ON-ROAD APPLICATIONS

STERLING

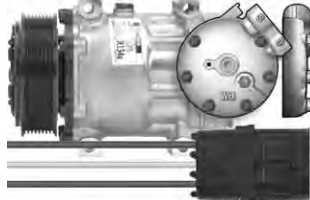
YEAR	MODEL	DESCRIPTION	OEM PART #	FACTORY #	RedDOT #
------	-------	-------------	------------	-----------	----------

STERLING COMPRESSOR


75R7290 RD-5-8638-0P
 Fitting: 1" - 14
 Universal, Standard Duty with Super Screws, Felt Ring, PRV and Ester Oil
 Supplied without clutch
 No connector supplied




75R81152 RD-5-11237-0P
 Model: 7H15 Head: WH Voltage: 12
 Mount: Direct Sanden: 4303, 4422
 Clutch: 4.7" (119mm) Poly 8 **R134a**



75R81162 RD-5-11238-0P
 Model: 7H15 Head: WJ Voltage: 12
 Mount: Direct Sanden: 4304, 4423
 Clutch: 4.9" (125mm) Poly 6 **R134a**



75R81172 RD-5-11239-0P
 Model: SD7H15 Head: WJ Voltage: 12
 Mount: Ear Sanden: 4305
 Clutch: 4.7" (119mm) Poly 8 **R-134a**



No photo of plug available


75R81192 RD-5-11241-0P
 Model: 7H15 Head: WJ Voltage: 12
 Mount: Ear Sanden: 4469, 4603
 Clutch: 5 1/4" (132mm) A2 Groove **R134a**




75R81202 RD-5-11242-0P
 Model: 7H15 Head: WH Voltage: 12
 Mount: Direct Sanden: 4602
 Clutch: 6 1/2" (169mm) A1 Groove - Sealed **R134a**



75R81252 RD-5-11245-0P
 Model: 7H15 Head: WH Voltage: 12
 Mount: Direct Sanden: 4474, 7804
 Clutch: 4.7" (119mm) Poly 8 **R134a**




75R81392 RD-5-11259-0P
 Model: 7H15HD Head: WJ Voltage: 12
 Mount: Ear Sanden: 4427, 4496, 4718
 Clutch: 4.7" (119mm) Poly 8 **R134a**




No photo of plug available.

75R84232 RD-5-10267-0P
 Model: 7H15HD Head: MDA Voltage: 12
 Mount: Direct Sanden: 4776
 Clutch: 4.7" (119mm) Poly 8 **R-134a**



75R84352 RD-5-10275-0P
 Model: 7H15 Head: WJ Voltage: 12
 Mount: Direct Sanden: 4810
 Clutch: 4.9" (125mm) Poly 6 **R134a**



CONDENSER

1995-98	A-Line, Acterra, L-Line, 5500 - 8500, Silverstar	All models with Factory Air, Grill	Condenser Type 37" x 19" x 3/4"	F6HT-19710-BA	RD-4-5696-0P	77R6807
1998-03	A-Line, Acterra, L-Line, 5500 - 8500, Silverstar	All models with Factory Air, Grill	Condenser Type 37" x 19" x 3/4"	F6HZ-19712A	RD-4-5696-0P	77R6807
2003-05	Acterra	Condenser Parallel Flow		BHT E9328	RD-4-7546-0P	77R8455
2008-10	A-Line, Acterra, L-Line, 5500, 6500, 7500, 8500, Silverstar	All w/OEM Number		22-62271-000	RD-4-7131-0P	77R1277

77R1277 RD-4-7131-0P
 Overall Width: 34 1/2"
 Fin Width: 32 3/4"
 Height: 17 1/2"
 Thickness: 3/4"



77R6807 RD-4-5696-0P
 Grill Condenser Coil Type
 Fin Width: 37"
 Height: 19"
 Thickness: 3/4"




77R8455

ORIFICE TUBE

1994-01	A-Line, Acterra, L-Line, 5500 - 8500, Silverstar	Orifice Tube-Red	E59H-19860AA, E69Z-19D990A	RD-5-9564-1P	71R8505
---------	--	------------------	----------------------------	--------------	----------------

71R8505 RD-5-9564-1P
 Red - Length: 3.46", O.D.: .425", Orifice: .062"



YEAR	MODEL	DESCRIPTION	OEM PART #	FACTORY #	RedDOT #
------	-------	-------------	------------	-----------	----------

STERLING

PRESSURE SWITCH

	A-Line, Acterra, L-Line, 5500 - 8500, Silverstar	Switch, Pressure, High, NO	18-03601, 20PS39-16	RD-5-4912-0P	71R6100
	A-Line, Acterra, L-Line, 5500 - 8500, Silverstar	Pressure Cycling Switch, closes 46 psi	E35H-19E561A	RD-5-8026-0P	71R6095
1998-00	A-Line, Acterra, L-Line, 5500 - 8500, Silverstar	Accumulator Cycling R-134A Switch, normally opens 46psi	F3AH-19E561AA, F3AZ-19E561A	RD-5-10442-0P	71R6093
1998-99	A-Line, Acterra, L-Line, 5500 - 8500, Silverstar	Accumulator Cycling Switch, closes 46 psi	E35H-19E561AA	RD-5-8026-0P	71R6095
2007-10	A-Line, Acterra, L-Line, 5500 - 8500, Silverstar	High Pressure Switch, M10; 4 Terminal	06-35209-000, BOA91619	RD-5-13234-0P	71R6155

71R6093 RD-5-10442-0P
Type: High Side
Fitting / Connector: M12 x 1.5 female
Normally Closed – Closes at 23 PSI – Opens at 46 PSI



71R6095 RD-5-8026-0P
Type: Low Side –
Ford Accumulator Cycling Switch #E35H-19E561AA
Fitting / Connector: 1/4" female flare
Normally Open – Closes at 46 PSI – Opens at 25 PSI



71R6100 RD-5-4912-0P
Type: High Side
Fitting / Connector: 1/4" female flare
Normally Open – Closes at 250 PSI –
Opens at 190 PSI



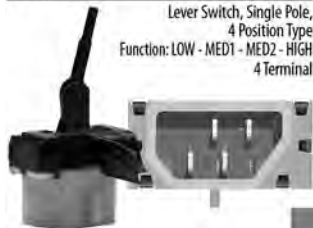
71R6155 RD-5-13234-0P
High Pressure
4 Terminal Green
M10 Threads



SWITCH

1998-10	A-Line, Acterra, L-Line, 5500 - 8500, Silverstar	Rotary switch, 4 terminal	F4DZ-19986A	RD-5-10194-0P	RD-5-10194-0P
1998-10	A-Line, Acterra, L-Line, 5500 - 8500, Silverstar	Lever switch, 4 terminal, 4 position	F1HZ-19986A, D5AZ-19986A	RD-5-10196-0P	71R0487

71R0487 RD-5-10196-0P
Lever Switch, Single Pole,
4 Position Type
Function: LOW - MED1 - MED2 - HIGH
4 Terminal



ON-ROAD APPLICATIONS

TRIPAC APU

YEAR	MODEL	DESCRIPTION	OEM PART #	FACTORY #	RedDOT #
------	-------	-------------	------------	-----------	----------

TRIPAC APU

BINARY BOOT

TRIPAC APU	BOOT ASSY BINARY 2 PART	416845	RD-5-12151-2P	71R4511
71R4511	RD-5-12151-2P			



BINARY SWITCH

TRIPAC APU	SWITCH - BINARY PRESSURE (SCHRADER)	417020	RD-5-4640-0P	71R7050
71R7050	RD-5-4640-0P			

3/16"-20 UNF-2B Female Thread for Installation on Male Schrader Type Valve.



BLOWER MOTOR

TRIPAC APU	MOTOR BLOWER ASSY - DOUBLE 12V	781537	RD-5-8837-0P	73R5532
73R5532	RD-5-8837-0P			

Three Speed
442 CFM - 12 volt - 12 1/4" x 3 1/8" x 4 1/2"
Replacement Resistor: 71R1403



COMPRESSOR

TRIPAC APU	COMPRESSOR - QP15HD 12V 123MM PV8 EAR 1266	102580	RD-5-10429-1P	75R86132Q
------------	--	--------	---------------	------------------

75R86132Q RD-5-10429-1P
Model: QP-15HD Head: A Voltage: 12V
Mount: Ear ICE: 2521266 Seltec: 488-45122
Clutch: 4 3/4" (123mm) Poly 8 **R134a**



CONDENSER

TRIPAC APU	CONDENSER	672145, 672363, 672494	RD-4-7474-0P	77R8370
------------	-----------	------------------------	--------------	----------------

77R8370 RD-4-7474-0P

Overall Width: 21 3/4"
Fin Width: 18 3/4"
Height: 12"



EXPANSION VALVE

TRIPAC APU	EXPANSION VALVE - R134A	613413	RD-5-6868-1P	71R8301
------------	-------------------------	--------	--------------	----------------

71R8301 RD-5-6868-0P

Inlet: #6 (3/8") Female O-Ring
Outlet: #10 (5/8") Female O-Ring
Evaporator Fittings
In: #8 (1/2") Female O-Ring
Out: #8 (1/2") Female O-Ring
Superheat Rating: 5°F
Pressure Limit: 80 psig @40°F



YEAR	MODEL	DESCRIPTION	OEM PART #	FACTORY #	RedDOT #
------	-------	-------------	------------	-----------	----------

TRIPAC APU

PRESSURE SWITCH

TRIPAC APU	PRESSURE SWITCH	417509	RD-5-15711-0P	71R6280
------------	-----------------	--------	---------------	----------------

71R6280 RD-5-15711-0P

1/8" -27 NPT/ two conductor bare wire
Normally Closed
Working Pressure: On 300±15 PSI - Off 400 ±15 PSI



RECEIVER DRIER

TRIPAC APU	RECEIVER DRIER ASSY	613316	RD-5-4727-0P	74R2586
------------	---------------------	--------	--------------	----------------

TRIPAC APU	RECEIVER DRIER	613552	RD-5-15698-0P	74R4208
------------	----------------	--------	---------------	----------------

74R2586 RD-5-4727-0P

Includes Binary™ Switch
3" diameter x 6" long
#6 Male O-Ring
High Capacity
Pressure Relief
Side Port



74R4208 RD-5-15698-0P



RECEIVER DRIER BRACKET

TRIPAC APU	RECEIVER DRIER - BRACKET KIT- BULKHD MT	925028	RD-3-3454-0P	74R7210
------------	---	--------	--------------	----------------

74R7210 RD-3-3454-0P

Receiver Drier Bracket



RELAY

TRIPAC APU	RELAY - 12V WITH DIODE	449111	RD-5-9915-0P	71R1722
------------	------------------------	--------	--------------	----------------

71R1722 RD-5-9915-0P

12V Relay with Diode,
40/30 amps,
SPST, 5 terminals



THERMOSTAT

TRIPAC APU	THERMOSTAT - 12IN	416844	RD-5-8938-0P	71R3160
------------	-------------------	--------	--------------	----------------

71R3160 RD-5-8938-0P

Capillary Length: 12"
Type: Fixed
Temp. Range: 31°- 40°F
Clutch Cycle Range: 8°F



ON-ROAD APPLICATIONS

VOLVO/WHITE GMC

YEAR	MODEL	DESCRIPTION	OEM PART #	FACTORY #	RedDOT #
------	-------	-------------	------------	-----------	----------

VOLVO/WHITE GMC

BLOWER MOTOR

	All with OEM Part No.	Motor, 12V, 1 Speed, Double 5/16" Shaft, with Mounting Studs	3918242, 2809-541-006	RD-5-6531-0P	73R0322
	All with OEM Part No.	Motor, 12V, CCW, 1 Speed, Single 5/16" Shaft, with Mounting Studs	60009-5005, 2807-517-019	RD-5-6526-1P	73R0402
	All with OEM Part No.	Motor, 12V, CW, 1 Speed, Single 5/16" Shaft, with Mounting Studs	3949262, 60009-5009	RD-5-6526-0P	73R0422
	All with OEM Part No.	Motor, 12V, CW, 1 Speed, Single 5/16" Shaft, with Mounting Studs	892106	RD-5-10905-0P	73R0442
	All with OEM Part No.	Motor, 12V, CW, 1 Speed, Single 5/16" Shaft, with Mounting Studs	3949388	RD-5-9100-0P	73R0462
	All with OEM Part No.	Motor, 12V, CW, 1 Speed, Single 5/16" Shaft, with Mounting Studs	1707646	RD-5-9100-0P	73R0462
	All with OEM Part No.	Kysor A/C, single shaft-non-vented, 1 speed, CW, 4 7/8" length	60009-5014, 275130	RD-5-7129-0P	73R0542
	All with OEM Part No.	Motor, Flange Mount, 1 speed, 4 3/4" length, CW, No Wire	3949261	RD-5-4937-0P	73R2102
	All with OEM Part No.	Motor, 12V, 1 Speed, Double 5/16" Shaft, WO/Mounting Studs	3949266	RD-5-6801-0P	73R4182
1988-00	WG, WXL	Motor, 12V, 1 Speed, Double 5/16" Shaft, with Mounting Studs	V1118390, 3945237	RD-5-10073-0P	73R4312
1988-00	WC, WCA, WG, WIA	Motor, 12V, 1 Speed, Double 5/16" Shaft, without Mounting Studs	868541	RD-5-10068-0P	73R4322
1988-00	ACL, WC, WCA, WG, WH, WI, WIA, WX, WXL, WXR	Motor, 12V, 1 Speed, Double 5/16" Shaft, WO/Mounting Studs, with Adapter Harness	3945237, BOA-80-415-00-159, 279, 3919288	RD-3-10538-0P	73R4532
1988-01	WG, WX Dual, WXL Dual	Main unit (Bergstrom), plate mounted 6 3/4" diameter	1092319	RD-5-10395-0P	73R3032
1988-01	WX Dual	Main unit, Bosch motor, plate mounted 6 3/4" diameter	203038, 60009-5025, V1092319, V1119217	RD-5-10395-0P	73R3032
1988-02	FE	Motor, 12V, 1 Speed, Double 5/16" Shaft, with Mounting Studs	275102	RD-5-5614-0P	73R4062
1996-02	VN420, 610, 770, VNL64T	Behr Sleeper Unit, plate mounted, 7" diameter, CW, 1 speed, 4 3/4" length	3949102, BOA-85-440-51-009	RD-5-11466-0P	73R3002
1996-06	VN, VHD, VT	Main Behr unit motor with blower wheel	BOA-80-414-00-769, 3946686	RD-5-14046-0P	73R5652
1998-02	VN420, 610, 770	Sleeper Unit (Behr), plate mount, 7 3/16" diameter	BOA-85-462-51-009, 3949886	RD-5-11488-0P	73R3052
2002-10	VN, VHD, VT	Main Unit and sleeper	BOA94350, BOAD8587	RD-5-13068-0P	73R3132

73R0322 RD-5-6531-0P



Single Speed
12 Volt
Rotates CW
Permanent Magnet Motor
Stud Mounted, Span 2 5/16"
Dimensions: 4 1/2" x 3 5/8" x 3"
Shaft: 5/16" diameter, Length: 1 1/2"
Vented - RFI
Connector: Two conductor Packard #12034343

73R0402 RD-5-6526-1P



Single Speed
12 Volt
Rotates CCW
Permanent Magnet Motor
Stud Mounted, Span 2 5/16"
Dimensions: 5" x 4" x 3"
Shaft: 5/16" diameter, Length: 1 5/8"
Vented
Connector: Two conductor Packard #2984528, 2971859

73R0422 RD-5-6526-0P



Single Speed
12 Volt
Rotates CW
Permanent Magnet Motor
Strap/Stud Mounted, Span 2 5/16"
Dimensions: 4 3/4" x 4" x 3"
Shaft: 5/16" diameter, Length: 1 5/8"
Vented
Connector: Two conductor Packard #2984528, 2971859

73R0442 RD-5-10905-0P



Single Speed
12 Volt
Rotates CW
Permanent Magnet Motor
Stud Mounted, Span 2 5/16"
Dimensions: 4 5/8" x 4 1/4" x 3"
Shaft: 5/16" diameter, Length: 1 3/4"
Vented
Connector: Two conductor Packard 3/4" blade terminal #2973781

73R0462 RD-5-9100-0P



Single Speed
12 Volt
Rotates CW
Permanent Magnet Motor
Stud Mounted, Span 2 5/16"
Dimensions: 5" x 4 1/4" x 3"
Shaft: 5/16" diameter, Length: 1 1/2"
Vented
Connector: Two conductor Packard #2984528, 2971859

73R0542 RD-5-7129-0P



Single Speed
12 Volt
Rotates CW
Permanent Magnet Motor
Strap/Stud Mounted, Span 2 5/16"
Dimensions: 4 7/8" x 4" x 3"
Shaft: 5/16" diameter, Length: 1 1/4"
Non Vented
Connector: Male blade with Packard #8900420

73R2102 RD-5-4937-0P



Single Single Speed
12 Volt
Rotates CW
Permanent Magnet Motor
Plate Mounted
Dimensions: 4 3/4" x 4 1/8" x 3 1/8"
Shaft: 5/16" diameter, Length: 1 1/4"
Vented Includes wire assembly
Connector: Male spade OE#IHC274243, ZGG16249

73R3002 RD-5-11466-0P



Single Speed
12 Volt
Rotates CW
PM Motor
Plate Mounted
Dimensions: 4 5/8" x 4" x 3"
Shaft: 5/16" diameter, Length: 1 1/2"
Plate/Flange Diameter: 7"
Wheel: 6" diameter, 2 1/2" width
Vented
Connector: Two conductor Packard terminal block 12065863 with 12020120 terminal

73R3032 RD-5-10395-0P



Single Speed
12 Volt
Rotates CW
Plate Mounted
Dimensions: 5" x 4 5/8" x 3"
Shaft: 5/16" diameter, Length: 1 1/4"
Plate/Flange Diameter: 6 3/4"
Vented
Connector: Two conductor spade termination

73R3052 RD-5-11488-0P



Single Speed
12 Volt
Rotates CCW
Permanent Magnet Motor - Plate Mount
Dimensions: 4 1/4" x 3 1/4" x 3"
Shaft: 5/16" diameter, Length: 1 1/2"
Plate/Flange Diameter: 7 3/16"
Wheel: 6" diameter, 2 1/2" width
Vented
Connector: Two conductor Packard terminal block #12064750

73R3132 RD-5-13068-0P



Single Speed
12 Volt
Rotates CW
Flange Mount

73R4062 RD-5-5614-0P



Single Speed
12 Volt
Permanent Magnet Motor
Strap / Stud Mounted, Span 2 5/16"
Dimensions: 4" x 3 3/8" x 3 1/8"
Shafts: 5/16" diameter, length: 3 1/4"
Vented
Connector: Two conductor Packard #2971859, 3/4" blade terminal

YEAR	MODEL	DESCRIPTION	OEM PART #	FACTORY #	RedDOT #
------	-------	-------------	------------	-----------	----------

VOLVO/WHITE GMC

73R4182 RD-5-6801-0P
 Single Speed
 12 Volt
 Permanent Magnet Motor
 Strap / Stud Mounted, Span 2 5/16"
 Dimensions: 4 3/8" x 4" x 3"
 Shafts: 5/16" diameter, length: 2 1/2"
 Vented
 Connector: 1/4" spade receptacle



73R4312 RD-5-10073-0P
 Single Speed
 12 Volt
 Permanent Magnet Motor
 Stud Mounted, Span 2 5/16"
 Dimensions: 5 3/8" x 4 1/2" x 3"
 Shafts: 5/16" diameter, length: 2 1/4"
 Vented
 Connector: Two conductor 1/4" spade receptacle



73R4322 RD-5-10068-0P
 Single Speed
 12 Volt
 Permanent Magnet Motor
 Stud Mounted, Span 2 5/16"
 Dimensions: 4 7/8" x 4 1/2" x 3"
 Shafts: 5/16" diameter, length: 2 1/2"
 Vented
 Connector: Two conductor 1/4" spade receptacle



73R4532 RD-3-10538-0P
 Single Speed
 12 Volt
 Field Wound Motor
 Stud Mounted, Span 2 5/16"
 Dimensions: 5 1/8" x 4 1/2" x 3"
 Shafts: 5/16" diameter, Shaft length: 2 7/16"
 Vented Includes gasket and wire assembly
 Connector: Two conductor integrated spade receptacle



73R5652 RD-5-14046-0P
 Single Speed - 253 CFM - 12 volt -
 12 1/4" x 3 1/8" x 4 1/2"




BLOWER WHEEL

All with OEM Part No.	CCW, Single Entry	60010-5001	RD-5-8618-0P	73R6051	
All with OEM Part No.	CCW, Single Entry	60010-5009, 1-10330, HC1025, HC1340	RD-3106-39P	73R6151	
All with OEM Part No.	CW, Single Entry	60010-5002, 3949274	RD-5-3800-1P	73R6251	
All with OEM Part No.	Wheel, Blower, Reversible, Double Entry	260680, BSM602005	RD-5-5656-0P	73R7000	
All with OEM Part No.	Reversible, Double Entry	60010-5014, HC1290	RD-5-5656-0P	73R7000	
All with OEM Part No.	Red Dot A/C with 3 5/16" double entry wheel, 3 3/4" width	3918247	RD-3-4829-1P	73R7071	
1996-06	VN420, 610	Sleeper units, 5 5/8" single entry wheel, 3 7/16" width, CW	3947421, BSM302011	RD-5-10753-0P	73R6253
1998-00	ACL	Wheel, Blower, Reversible, Double Entry	1118417	RD-5-10346-0P	73R7130

73R6051 RD-5-8618-0P
 5 1/4" diameter, 3 1/2" width
 5/16" bore diameter
 Hub inset: 3/4"
 CCW Rotation
 Steel




73R6151 RD-3106-39P
 5 1/4" diameter, 2 1/2" width
 5/16" bore diameter
 Hub inset: 7/8"
 CCW Rotation
 Steel




73R6251 RD-5-3800-1P
 5 1/4" diameter, 3 7/16" width
 5/16" bore diameter
 Hub inset: Flat
 CW Rotation
 Steel




73R6253 RD-5-10753-0P
 6" diameter, 3" width
 5/16" bore diameter
 Hub inset: 1 1/2"
 CCW Rotation
 Plastic



73R7000 RD-5-5656-0P
 3 3/16" diameter, 3 13/16" width
 5/16" bore diameter
 Hub inset: 1 1/8"
 Dual Rotation
 Plastic



73R7071 RD-3-4829-1P
 3 3/16" diameter, 3 3/4" width
 5/16" bore diameter
 Hub inset: 1 13/16"
 Dual Rotation
 Steel



73R7130 RD-5-10346-0P
 4 3/4" diameter, 3 7/32" width
 5/16" bore diameter
 Hub inset: 1 1/4"
 CW Rotation
 Plastic



YEAR	MODEL	DESCRIPTION	OEM PART #	FACTORY #	RedDOT #
------	-------	-------------	------------	-----------	----------

VOLVO/WHITE GMC

CLUTCH ASSEMBLY

All with OEM Part No.	12V, 1A Groove-Overhang, 125MM, 1 Wire	511575, 511869	RD-5-6646-0P	75R0182
All with OEM Part No.	12V, 2A Groove, 125MM, 1 Wire	6511-6110, 9353-6010	RD-5-7831-0P	75R0192
All with OEM Part No.	12V, 2A Groove, 132MM, 1 Wire	6519-6010	RD-5-5486-0P	75R0202
All with OEM Part No.	12V, 2A Groove, 132MM, 1 Wire	6514-6210	RD-5-5486-0P	75R0202
All with OEM Part No.	2 groove 6" diameter pulley, 1/2" width, 1 5/8" ga, bullet plug	61103-0019	RD-5-10367-0P	75R0422
All with OEM Part No.	2 groove 6" diameter pulley, 1/2" width, 1 5/8" ga, bullet plug	332639	RD-5-4967-0P	75R0452
All with OEM Part No.	12V, 2A Groove, 6", 1 Wire	1118116, 61103-0017, 024 21590	RD-5-4972-1P	75R1202
All with OEM Part No.	12V, 2A Groove, 125MM, 2 Wire	85105256, 4695-9931, 4896-9931	RD-5-10368-0P	75R1532
All with OEM Part No.	1 groove, 6 3/4" diameter pulley, 1/2" width, 1 3/4" gaugeline, bullet plug	02701-0496, 10582, 502731, 520533A	RD-5-4975-0P	75R1652
All with OEM Part No.	2 groove 1/2" width, 5 1/4" diameter (132mm), metripak plug	3918124	RD-5-10759-0P	75R1832
All with OEM Part No.	12V, PV8 Groove, 119MM, 2 Wire	3099389, 3948140, 4606-6871, 4705-9930, 9931	RD-5-10760-0P	75R1842
All with OEM Part No.	2 groove 1/2" width, 5 1/4" diameter (132mm), metripak plug	4752-9931, 4777-9931, 85100878	RD-5-10761-0P	75R1852
All with OEM Part No.	12V, 2A Groove, 7", 1 Wire	31160-7760, 332334	RD-5-4994-0P	75R4502

75R0182 RD-5-8382-0P

Model: Seltec/TAMA - CH
Diameter: 4.9" / 125mm
Groove: 1
Width: 1/2"
12 Volts
B Dimension: 2 7/16" / 62 mm



Single wire coil
Male bullet plug

75R0192 RD-5-7831-0P

Model SD7
Diameter: 4.9" / 125mm
Groove: 2
Width: 1/2"
12 Volts
B Distance: -



Single wire coil
Male bullet plug

75R0202 RD-5-5486-0P

Model SD5 (508, 510, 5H14)
Diameter: 5 1/4" / 132mm
Groove: 2
Width: 1/2"
12 Volts
B Distance: 1 1/16" / 40mm



Single wire coil
Bare wire

75R0422 RD-5-10367-0P

Diameter: 6"
Groove: 2
Width: 1/2"
12 Volts
B Dimension: 2 1/4"



Single wire coil
Female Weatherpak (IHC) plug

75R0452 RD-5-4967-0P

Diameter: 6"
Groove: 2
Width: 1/2"
12 Volts
B Dimension: 1 5/8"



Single wire coil
Male bullet plug

75R1202 RD-5-4972-1P

OE #501939, MAE-6AR
Diameter: 6"
Groove: 2
Width: 1/2"
12 Volts
B Dimension: 1 3/8"



Single wire coil with diode
Weatherpak plug

75R1532 RD-5-10368-0P

Model 709 / 7H15
Diameter: 4.9" / 125mm
Groove: 2
Width: 1/2"
12 Volts
B Distance: 2 5/16" / 55mm



Double wire coil
Metripak plug

75R1652 RD-5-4975-0P

OE #L50-2731
Diameter: 6 3/8"
Groove: 1
Width: 3/8"
12 Volts
B Dimension: 1 3/8"



Single wire coil
Male bullet plug

75R1832 RD-5-10759-0P

Model 709 / 7H15
Diameter: 5 1/4" / 132mm
Groove: 2
Width: 1/2"
12 Volts
B Distance: —
Double wire coil
Metripak plug



75R1842 RD-5-10760-0P

Model 709 / 7H15
Diameter: 4.7" / 119mm
Groove: Poly 8
Width: .14"
12 volts
B Distance: —
Double wire coil
Metripak plug



75R1852 RD-5-10761-0P

Model 709 / 7H15
Diameter: 5 1/4" / 132mm
Groove: 2
Width: 1/2"
12 volts
B Distance: —
Double wire coil with diode
Metripak plug



75R4502 RD-5-4994-0P

Diameter: 7"
Groove: 2
Width: 1/2"
12 Volts
B Dimension: 2"



Single wire coil
Male bullet plug

YEAR	MODEL	DESCRIPTION	OEM PART #	FACTORY #	RedDOT #
------	-------	-------------	------------	-----------	----------

VOLVO/WHITE GMC

COMPRESSOR

All with OEM Part No.	Rotolock, LH Suction, #8 Discharge, #10 Suction, NO CLUTCH	ER210L-25149	RD-5-8637-0P	75R7280
All with OEM Part No.	Rotolock, LH Suction, #8 Discharge, #10 Suction, NO CLUTCH	99242-5	RD-5-8637-0P	75R7280
All with OEM Part No.	Tube-0, LH Suction, 1"-14 Discharge, 1"-14 Suction, NO CLUTCH	ET210L-25150	RD-5-8638-0P	75R7290
All with OEM Part No.	Tube-0, LH Suction, 1"-14 Discharge, 1"-14 Suction, NO CLUTCH	99244-5	RD-5-8638-0P	75R7290
All with OEM Part No.	7H15, WV head, direct mount, poly 8 groove, 5 1/8" (130 mm) diameter	20388777, 4733	RD-5-11256-0P	75R81362
All with OEM Part No.	7H15, WV head, direct mount, poly 8 groove, 5 1/8" (130 mm) diameter	20501067, 4892	RD-5-11256-0P	75R81362
All with OEM Part No.	7H15, WV head, direct mount, poly 6 groove, 4.9" diameter (125 mm)	8088112, 20501069	RD-5-11257-0P	75R81372
All with OEM Part No.	7H15HD, 12V, 2A Groove, 125MM, 1 Wire, JDA head	8177090, 4647	RD-5-11316-1P	75R81472Q
All with OEM Part No.	7H15HD, 12V, PV8 Groove, 119MM, 1 Wire, JDA head	8177089, 4660	RD-5-11322-0P	75R81482
All with OEM Part No.	7H15, JD head, direct mount, 2A groove, 5 1/4" diameter (132mm)	8080059, 85104467, 4699	RD-5-11330-0P	75R81532
All with OEM Part No.	7H15, JD head, direct mount, 2A groove, 5 1/4" diameter (132mm)	8080059, 4699	RD-5-11330-0P	75R81532
All with OEM Part No.	(125mm) Ear Mount JDA head, 2A groove clutch	20370291, 4779	RD-5-11336-0P	75R81572
All with OEM Part No.	7H15, WV head, ear mount, 2A groove, 5 1/4" diameter (132mm)	8082270, 4717	RD-5-11343-0P	75R81652
All with OEM Part No.	7H15, WV head, ear mount, 2A groove, 5 1/4" diameter (132mm)	85104592	RD-5-11343-0P	75R81652
All with OEM Part No.	7H15, WV head, ear mount, 2A groove, 5 1/4" diameter (132mm)	20370289, 20501067, 4777, 4893	RD-5-11343-0P	75R81652
All with OEM Part No.	7H15, JD head, direct mount, 2A groove, 5 1/4" diameter (132mm)	8080059, 85104467, 4894	RD-5-11345-0P	75R81672
All with OEM Part No.	7H15, KC head, ear mount, poly 8 groove, 5 1/8" (130 mm) diameter	8080058, 8142556, 8177089	RD-5-11346-0P	75R81682
All with OEM Part No.	7H15, KC head, ear mount, poly 8 groove, 5 1/8" (130 mm) diameter	85104531, 4895	RD-5-11346-0P	75R81682
All with OEM Part No.	7H15, JD head, ear mount, 2A groove, 4.9" (125mm) diameter	85104468, 4896	RD-5-11347-0P	75R81692
All with OEM Part No.	7H15, C head, ear mount, variable groove 6 1/4" diameter (158mm)	V1110148	RD-5-11350-0P	75R81732
All with OEM Part No.	7H15, WV head, ear mount, poly 8 groove, 5 1/8" (130 mm) diameter	8082268, 4716	RD-5-11356-0P	75R81762
All with OEM Part No.	5H14HD, 12V, 2A Groove, 132MM, 1 Wire, FL head	8080060, 4510	RD-5-7088-0P	75R8382
All with OEM Part No.	5H14HD, 12V, 2A Groove, 132MM, 1 Wire, FL head	8177090, 6664	RD-5-7088-0P	75R8382
All with OEM Part No.	7H15HD, 12V, 2A Groove, 125MM, 1 Wire, JD head	8164872, 4627	RD-5-7120-0P	75R8422
All with OEM Part No.	7H15HD, 12V, 2A Groove, 125MM, 1 Wire, JD head	20370291, 8164872	RD-5-7120-0P	75R8422
All with OEM Part No.	7H15HD, 12V, 2A Groove, 132MM, 2 Wire, JDA head, Direct Mount	8022507, 4626	RD-5-7522-0P	75R8432
All with OEM Part No.	7H15, JD head, direct mount, 2A groove, 5 1/4" diameter (132mm)	20370292, 4780	RD-5-7522-0P	75R8432
All with OEM Part No.	7H15HD, 12V, 2A Groove, 132MM, 2 Wire, JDA head, Direct Mount	8022507, 8177091	RD-5-7522-0P	75R8432
All with OEM Part No.	7H15, JD head, ear mount, 2 groove, 5 1/4" diameter (132mm)	8080060, 4694	RD-5-10276-0P	75R84362
All with OEM Part No.	7H15, WV head, direct mount, 2A groove, 5 1/4" diameter (132mm)	8082269, 4715	RD-5-10278-0P	75R84382
All with OEM Part No.	7H15, WV head, direct mount, 2A groove, 5 1/4" diameter (132mm)	20370290, 4778	RD-5-10278-0P	75R84382
All with OEM Part No.	7H15, WV head, direct mount, 2A groove, 5 1/4" diameter (132mm)	85104593, 4890	RD-5-10278-0P	75R84382
All with OEM Part No.	7H15, KC head, direct mount, poly 8 groove, 5 1/8" (130 mm) diameter	20395054, 4823	RD-5-10282-0P	75R84452
All with OEM Part No.	7H15, KC head, ear mount, poly 8 groove, 5 1/8" (130 mm) diameter	8142556, 4659	RD-5-10286-0P	75R84482
All with OEM Part No.	7H15, KC head, ear mount, poly 8 groove, 4.9" (125mm) diameter	20370293, 4781	RD-5-10286-0P	75R84482
All with OEM Part No.	7H15, KC head, ear mount, poly 8 groove, 5 1/8" (130 mm) diameter	8142556	RD-5-10286-0P	75R84482
All with OEM Part No.	7H15, JD head, ear mount, poly 8 groove, 4.7" (119 mm) diameter	8142556, 4711, 8103	RD-5-9251-0P	75R8462
All with OEM Part No.	QP15HD, 12V, 1A Groove Overhang, 125MM, 1 Wire, F Head, R-12	488-25063	RD-5-5875-1P	75R8502Q
All with OEM Part No.	QP15HD, 12V, 2A Groove, 135MM, 1 Wire, F Head, R-12	488-25011	RD-5-5876-1P	75R8512Q
All with OEM Part No.	QP15HD, 12V, 1A Groove Overhang, 125MM, 1 Wire, D Head	488-45063	RD-5-8944-1P	75R8532Q
All with OEM Part No.	QP15HD, 12V, 2A Groove, 135MM, 1 Wire, D Head	488-45077	RD-5-9609-10P	75R8552Q
All with OEM Part No.	QP15HD, 12V, 2A Groove, 135MM, 1 Wire, D Head	488-45011	RD-5-7145-1P	75R8612Q
All with OEM Part No.	QP15HD, 12V, 1 VAR Groove, 159MM, 1 Wire, D Head	488-45065	RD-5-7164-1P	75R8632Q

VOLVO/WHITE GMC

ON-ROAD APPLICATIONS

VOLVO/WHITE GMC

YEAR	MODEL	DESCRIPTION	OEM PART #	FACTORY #	RedDOT #
------	-------	-------------	------------	-----------	----------

VOLVO/WHITE GMC

COMPRESSOR

75R7280 RD-5-8637-0P
 Fitting: 1" - 14
 Universal, Standard Duty with Super Screws, Felt Ring, PRV and Ester Oil
 Supplied without clutch
 No connector supplied



75R7290 RD-5-8638-0P
 Fitting: 1" - 14
 Universal, Standard Duty with Super Screws, Felt Ring, PRV and Ester Oil
 Supplied without clutch
 No connector supplied




75R81362 RD-5-11256-0P
 Model: 7H15HD Head: WV Voltage: 12
 Mount: Direct Sanden: 4493, 4733, 4892
 Clutch: 5 1/4" (130mm) Poly 8 R134a




75R81372 RD-5-11257-0P
 Model: 7H15HD Head: WV Voltage: 12
 Mount: Direct Sanden: 4494, 4757, 4891
 Clutch: 4.9" (125mm) Poly 6 R134a




75R81472Q RD-5-11316-1P
 Model: QP-7H15 Head: JDA Voltage: 12V
 Mount: Ear
 Clutch: 5" (125mm) 2 Groove R134a



75R81482 RD-5-11322-0P
 Model: 7H15HD Head: JDA Voltage: 12
 Mount: Ear Sanden: 4660
 Clutch: 4 3/4" (119mm) Poly 8 R134a




75R81532 RD-5-11330-0P
 Model: 7H15HD Head: JD Voltage: 12
 Mount: Direct Sanden: 4699
 Clutch: 5 1/4" (132mm) A2 Groove R134a



75R81572 RD-5-11336-0P
 Model: 7H15HD Head: JD Voltage: 12
 Mount: Ear Sanden: 4779
 Clutch: 4.9" (125mm) A2 Groove R134a




75R81652 RD-5-11343-0P
 Model: 7H15 Head: WV Voltage: 12
 Mount: Ear Sanden: 4717, 4777, 4893
 Clutch: 5 1/4" (132mm) A2 Groove R134a



75R81672 RD-5-11345-0P
 Model: 7H15HD Head: JD Voltage: 12
 Mount: Direct Sanden: 4894
 Clutch: 5 1/4" (132mm) A2 Groove R134a




75R81682 RD-5-11346-0P
 Model: 7H15 Head: KC Voltage: 12
 Mount: Ear Sanden: 4895
 Clutch: 5 1/4" (130mm) Poly 8 R134a




75R81692 RD-5-11347-0P
 Model: 7H15 Head: JD Voltage: 12
 Mount: Ear Sanden: 4896
 Clutch: 4.9" (125mm) A2 Groove R134a



75R81732 RD-5-11350-0P
 Model: 7H15 Head: C Voltage: 12
 Mount: Ear Sanden: 4747
 Clutch: 6 1/4" (158mm) Variable 1 Groove R-134a




75R81762 RD-5-11356-0P
 Model: 7H15HD Head: WV Voltage: 12
 Mount: Ear Sanden: 4490, 4716
 Clutch: 5 1/4" (130mm) Poly 8 R-134a




75R8382 RD-5-7088-0P
 Model: 7H15 Head: JD Voltage: 12
 Mount: Ear Sanden: 4509, 4510, 6664
 Clutch: 5 1/4" (132mm) A2 Groove R134a




75R8422 RD-5-7120-0P
 Model: 7H15HD Head: JD Voltage: 12
 Mount: Ear Sanden: 4627
 Clutch: 4.9" (125mm) A2 Groove R134a



75R8432 RD-5-7522-0P
 Model: 7H15HD Head: JDA Voltage: 12
 Mount: Direct Sanden: 4626, 4695
 Clutch: 5 1/4" (132mm) A2 Groove R134a




75R84362 RD-5-10276-0P
 Model: 7H15HD Head: JD Voltage: 12
 Mount: Ear Sanden: 4694
 Clutch: 5 1/4" (132mm) A2 Groove R134a



75R84382 RD-5-10278-0P
 Model: 7H15 Head: WV Voltage: 12
 Mount: Direct Sanden: 4715, 4890
 Clutch: 5 1/4" (132mm) A2 Groove R134a



75R84452 RD-5-10282-0P
 Model: 7H15 Head: KC Voltage: 12
 Mount: Direct Sanden: 4823
 Clutch: 5 1/4" (130mm) Poly 8 R134a



COMPRESSOR CONTINUED ON NEXT PAGE

YEAR	MODEL	DESCRIPTION	OEM PART #	FACTORY #	RedDOT #
------	-------	-------------	------------	-----------	----------

VOLVO/WHITE GMC

COMPRESSOR

75R84482	RD-5-10286-0P
Model: 7H15	Head: KC Voltage: 12
Mount: Ear	Sanden: 4659
Clutch: 5 1/8" (130mm) Poly 8	R134a



75R8462	RD-5-9251-0P
Model: 7H15	Head: JD Voltage: 12
Mount: Ear	Sanden: 4711, 8103
Clutch: 4.7" (119mm) Poly 8	R134a



75R8502Q	RD-5-5875-1P
Model: QP-15HD	Head: F Voltage: 12V
Mount: Ear	ICE: 2521129 Seltec: 488-25063
Clutch: 5" (125mm) 1 Groove overhang	R-12



75R8512Q	RD-5-5876-1P
Model: QP-15HD	Head: F Voltage: 12V
Mount: Ear	ICE: 2521121 Seltec: 488-25011
Clutch: 5 1/4" (135mm) 2 Groove	R-12



75R8532Q	RD-5-8944-1P
Model: QP-15HD	Head: D Voltage: 12V
Mount: Ear	ICE: 2521166 Seltec: 488-45063
Clutch: 5" (125mm) 1 Groove overhang	R134a



75R8552Q	RD-5-9609-10P
Model: QP-15HD	Head: D Voltage: 12V
Mount: Ear	ICE: 2521301 Seltec: 488-45077
Clutch: 5 1/4" (135mm) 2 Groove	R134a



75R8612Q	RD-5-7145-1P
Model: QP-15HD	Head: D Voltage: 12V
Mount: Ear	ICE: 2521152 Seltec: 488-45011
Clutch: 5 1/4" (135mm) 2 Groove	R134a



75R8632Q	RD-5-7164-1P
Model: QP-15HD	Head: D Voltage: 12V
Mount: Ear	ICE: 2521167 Seltec: 488-45065
Clutch: 6 1/4" (159mm) Variable 1 Groove	R134a



CONDENSER

	All with OEM Part No.	Radiator Mount	RD-4-3724-0	RD-4-3724-0P	77R0650
1994-00	White	Condenser	8022509	RD-4-7503-0P	77R8480
1994-99	HD	Condenser	8164786	RD-4-7504-0P	77R8485
1996-03	VN	Radiator Mount, Tube-Fin Type overall 32 1/2", fin width 30 3/4" x 16 3/8"	20461065, 21095290, 3092918, 8084347, 8084348	RD-4-6343-0P	77R0585
1999-01	VN	Condenser	8157100	RD-4-7497-0P	77R8490

77R0585	RD-4-6343-0P
Multiflow Coil Type	
Overall Width: 32 1/2"	
Fin Width: 30 3/4"	
Height: 16 3/8"	
Thickness: 1"	



77R0650	RD-4-3724-0P
Tube & Fin Coil Type,	
Overall Width: 25"	
Fin Width: 23"	
Height: 12 1/4"	
Thickness: 1 3/4"	



77R8485	RD-4-7504-0P
Overall Width: 28 3/4"	
Fin Width: 25 7/8"	
Height: 18 1/4"	
Thickness: 7/8"	



EVAPORATOR

1994-00	WX, WXL Dual	Evaporator Coil	60004-3201, NA1310, NB1100	RD-2-1381-0P	76R6950
---------	--------------	-----------------	----------------------------	--------------	----------------

76R6950	RD-2-1381-0P
----------------	--------------

8" high x 12 1/4" long x 3 1/2" wide



ON-ROAD APPLICATIONS

VOLVO/WHITE GMC

YEAR	MODEL	DESCRIPTION	OEM PART #	FACTORY #	RedDOT #
------	-------	-------------	------------	-----------	----------

VOLVO/WHITE GMC

EXPANSION VALVE

	All with OEM Part No.	Right Angle, O Ring, with Capillary, with Equalizer	60012-5002	RD-5-3824-1P	71R8100
	All with OEM Part No.	Main unit with internal equalizer, 1 1/2 Ton, male O-Ring	A22-14420-1	RD-5-10445-0P	71R8220
1988-00	ACL	Block, #6 #10 #8 #8, with Mounting Holes	3916657	RD-5-6868-1P	71R8301
1988-01	WCA, WH, WG, WIA, WX	Block, #6 #10 #8 #8, with Mounting Holes	BSM308011, 3916657, 540031, 040138-123, EA1065	RD-5-6868-1P	71R8301
1996-01	VN420, 610, 770	Block, #6 #10 #8 #8, Flange Mount	BOA-80-321-00-209	RD-5-7179-0P	71R8420
1996-02	VN420, 610, 770	Main Unit	3946673, BOA-80-321-00-209	RD-5-10333-0P	71R8440
2000-02	VHD	Block, #6 #10 #8 #10, with Mounting Holes	3916182, 3949881, BOA-80-321-00-249	RD-5-7015-1P	71R8321

71R8100 RD-5-3824-1P

External Equalizer
Inlet: #6 (1/4") Male O-Ring
Outlet: #8 (1/2") Male O-Ring
 Equalizer Tube
Length: 13"
Nut: 1/2" Female O-Ring
Capillary Tube Length: 13"
Rating: 1 1/2 Ton



71R8220 RD-5-10445-0P

Internal Equalizer **LS**
Inlet: #6 (1/4") Male O-Ring
Outlet: #8 (1/2") Male O-Ring
Capillary Tube Length: 12"
Rating: 1 1/2 Ton



71R8301 RD-5-6868-0P

Inlet: #6 (3/8") Female O-Ring
Outlet: #10 (5/8") Female O-Ring
 Evaporator Fittings
In: #8 (1/2") Female O-Ring
Out: #8 (1/2") Female O-Ring
Superheat Rating: 5°F
Pressure Limit: 80 psig @40°F



71R8321 RD-5-7015-0P

High Capacity (2 Ton)
Inlet: #6 (3/8") Female "O" Ring
Outlet: #10 (5/8") Female O-Ring
 Evaporator Fittings
In: #8 (1/2") Female O-Ring
Out: #10 (5/8") Female O-Ring
Superheat Rating: 8°F
Pressure Limit: 53.5 psig @75°F



71R8420 RD-5-7179-0P

Inlet: #6 Plate (Flange) Mount
Outlet: #10 Plate (Flange) Mount
 Evaporator Fittings
In: #8 Plate (Flange) Mount
Out: #8 Plate (Flange) Mount
Superheat Rating: 8.5°F
Pressure Limit: 53.5 psig @90°F



71R8440 RD-5-10333-0P

Inlet: #6 (3/8") Plate (Flange) Mount
Outlet: #12 (3/4") Plate (Flange) Mount
 Evaporator Fittings
In: #8 (1/2") Plate (Flange) Mount
Out: #10 (5/8") Plate (Flange) Mount
Superheat Rating: 5.5°F
Pressure Limit: 65.7 psig @90°F



FAN

	All with OEM Part No.	Bergstrom, Kysor and Red Dot A/C, 10" diameter, 23° pitch	60501-5002	RD-5-7297-0P	73R8100
	All with OEM Part No.	Fan, Defrost, Universal, 12 Volt, 2 Speed	4060009-000, 8911949, 2899-006-026, 038, 051	RD-5-5796-0P	73R9062

73R8100 RD-5-7297-0P

10" Diameter, 23° Pitch



73R9062 RD-5-5796-0P

12V, Metal Cage



FILTER

2003-13	VN, Conventional, C.O.E.	Pleated air filter, 12 1/2" wide x 9 1/4" high x 1 1/8" thick	20435801	RD-5-12354-0P	78R5242
---------	--------------------------	---	----------	---------------	----------------

78R5242 RD-5-12354-0P

12 1/2" Wide x 9 1/4" High x 1 1/8" Thick



YEAR	MODEL	DESCRIPTION	OEM PART #	FACTORY #	RedDOT #
------	-------	-------------	------------	-----------	----------

VOLVO/WHITE GMC

PRESSURE SWITCH

All with OEM Part No.	with Red Dot A/C, Trinary Switch with harness	61522-0007	RD-5-12150-0P	71R4501
All with OEM Part No.	Switch, Pressure, APADS, High, NC	8040135	RD-5-9990-0P	71R6400
All with OEM Part No.	APAds low pressure switch, M10 female fitting	8040189	RD-5-10783-0P	71R6424
All with OEM Part No.	APAds low pressure switch, 1/4" NPTF fitting	8040223, 3948742	RD-5-10853-0P	71R6442
All with OEM Part No.	APAds fan trigger control switch, M10 female fitting	8040242	RD-5-10789-0P	71R6450
All with OEM Part No.	APADS controller	20579815	RD-5-11380-0P	71R6453
All with OEM Part No.	ECM, APADS Controller	8042105	RD-5-10352-0P	71R6565
All with OEM Part No.	APADS controller	8042108, 3939315	RD-5-10855-0P	71R6566
All with OEM Part No.	APADS controller	8042133, 20357741, 20579810, 8042157	RD-5-11381-0P	71R6571
All with OEM Part No.	APADS controller	8042107, 3939313	RD-5-10859-0P	71R6573
All with OEM Part No.	APADS controller	8042114, 3099497	RD-5-10860-0P	71R6576
All with OEM Part No.	APADS controller	8042106, 3939314	RD-5-10861-0P	71R6578
All with OEM Part No.	Binary 3/8"-24 UNF male with bulkhead seal	RD 5 4646 0	RD-5-4646-0P	71R7000
All with OEM Part No.	Switch, Pressure, Trinary, NO	RDH RD5 4585 0, 61522-3801	RD-5-4585-0P	71R7500
All with OEM Part No.	Switch, Pressure, Trinary, NO	RD-5-4583-0P	RD-5-4583-0P	71R7550
All with OEM Part No.	Switch, Pressure, Trinary, NC	RD-5-4620-0P	RD-5-4620-0P	71R7600
All with OEM Part No.	Switch, Pressure, Trinary, NC	RD-5-4625-0, BA1240	RD-5-4625-0P	71R7650
Conventional, C.O.E.	Switch, Pressure, Trinary, NC	61522-0006, 176225	RD-5-4625-0P	71R7650

71R4501 RD-5-12150-0P



71R6400 RD-5-9990-0P



71R6424 RD-5-10783-0P



71R6442 RD-5-10853-0P



71R6450 RD-5-10789-0P



71R6453 RD-5-11380-0P



71R6565 RD-5-10352-0P



71R6566 RD-5-10855-0P



71R6571 RD-5-11381-0P



71R6573 RD-5-10859-0P



71R6576 RD-5-10860-0P



71R6578 RD-5-10861-0P



71R7000 RD-5-4646-0P

3/8"-24 UNF-2A Male Thread with Bulkhead Type Seal using a 2-012 "O" Ring.



71R7500 RD-5-4585-0P

3/8" - 24 UNF-2A Male thread with bulkhead seal, 2-012 O-Ring Shutter/fan switch is normally open



71R7550 RD-5-4583-0P

1/2" - 20 UNF-2B Female thread for male Schrader Shutter/fan switch is normally open



71R7600 RD-5-4620-0P

3/8" - 24 UNF-2A Male thread with bulkhead seal, 2-012 O-Ring Shutter/fan switch is normally closed



71R7650 RD-5-4625-0P

3/8" - 20 UNF-2B Female thread for male Schrader Shutter/fan switch is normally closed



ON-ROAD APPLICATIONS

VOLVO/WHITE GMC

YEAR	MODEL	DESCRIPTION	OEM PART #	FACTORY #	RedDOT #
------	-------	-------------	------------	-----------	----------

VOLVO/WHITE GMC

RECEIVER DRIER

	All with OEM Part No.	2 3/4"x10", #6MOR in, #6 MOR out, PRV, Top Glass, Side Port	3441124, 61510-5006	RD-5-3593-0P	74R1756
	All with OEM Part No.	2 3/4"x10", #6MOR in, #6MOR out, PRV, Top Glass, Side Port with Low Pressure Switch	61510-0001, 7077922, BSM319000	RD-4160-1P	74R2106
	All with OEM Part No.	#6 male O-Ring, 2 3/4" X 10 5/8", without trinary switch	61510-5005	RD-5-6768-2P	74R2797
1987-03	WG, WCA, WIA	O-Ring Type with moisture indicator	20407205, 3934718, 8025531, 088491-01, 61510-0008	RD-5-11533-0P	74R3107
1996-00	VN420, 610, 770	O-Ring type with female switch port, moisture indicator and 90° fittings	20407205, 088492-01, 8078261	RD-5-11532-0P	74R1407
1996-00	VN420, 610, 770	O-Ring type with female switch port, moisture indicator and straight fittings	20407203	RD-5-8240-1P	74R3347
1997-02	VN420, 610, 770	O-Ring Type with moisture indicator "Standard Version"	20447319, 8086753	RD-5-11531-0P	74R1427
1998-06	WH, WX, WX Dual, WXML	O-Ring Type with Switch Port and HPRV	8025531	RD-5-11533-0P	74R3107
1998-10	VHD	O-Ring Type with 90° inlet and outlet	20447319, 8086753	RD-5-11533-0P	74R3107
1998-13	VN420, 610, 770	O-Ring Type with moisture indicator "OEM Version"	8086753, 82733985	RD-5-11531-0P	74R1427
1998-13	VN420, 610, 770	O-Ring Type with 90° inlet and outlet	088485-01, 8086753	RD-5-11533-0P	74R3107
1999-01	ACL, WG, WX, WXML, WXR	O-Ring Type with moisture indicator	3934718, 20407203	RD-5-11533-0P	74R3107

74R1407

RD-5-11532-0P

Includes Moisture Indicator
3" diameter x 9" long
#6 Male O-Ring
Press Relief



74R1427

RD-5-11531-0P

3" diameter x 9" long
#6 Male O-Ring
Volvo VN Series
OE#20447319
Mack Granite
2013-2014



74R1756

RD-5-3593-0P

2 3/4" diameter x 10" long
#6 Male O-Ring
High Capacity
Pressure Relief
Side Port



74R2106

RD-4160-1P

Includes Low Pressure Switch
2 1/4" diameter x 10" long
#6 Male O-Ring
High Capacity
Low Pressure /
Pressure Relief
Side Port



74R2797

RD-5-6768-2P

Includes Moisture Indicator
3" diameter x 10 1/4" long
#6 Male O-Ring
High Capacity
Press Relief
Top Port



74R3107

RD-5-11533-0P

Includes Moisture Indicator
3" diameter x 9 1/4" long
#6 Male O-Ring
High Capacity
Pressure Relief
Top Port
1/4" Schrader Valve



74R3347

RD-5-8240-1P

Includes Moisture Indicator
3" diameter x 9 1/4" long
#6 Male O-Ring
High Capacity
Pressure Relief
Side Port



RELAY

1974-00	FE	Relay, Blower, 12V, 20/30A, Tab Mount, 5 Terminals	176569, 651150	RD-5-4408-0P	71R1702
1996-01	VHD, VN, 420, 610, 770	Relay, Blower, 12V, 30/40A, Socket Mount	BOA 80-945-00-079, 3949297	RD-5-9915-0P	71R1722
1996-01	VN420, 610, 770	Relay, Blower, 12V, 30/40A, Socket Mount	BOA-80-945-00-079	RD-5-9915-0P	71R1722

71R1702

RD-5-4408-0P

12V Relay, 30/20 amps,
SPDT, 5 terminals Bosch type



71R1722

RD-5-9915-0P

12V Relay with Diode,
40/30 amps,
SPST, 5 terminals



YEAR	MODEL	DESCRIPTION	OEM PART #	FACTORY #	RedDOT #
------	-------	-------------	------------	-----------	----------

VOLVO/WHITE GMC

RESISTOR

	All with OEM Part No.	Resistor, Blower Speed, Bakelite Back, 3 Terminal, 3 Speed	60057-5005	RD-5-10441-0P	71R1463
1984-00	ACL, WG, WH, WX, WIA, WCA, WX Dual, WXR, WXLL	Resistor, Blower Speed, Bakelite Back, 3 Terminal, 3 Speed	V1115284, V1118410, V212421, V313119, V3134241	RD-5-10341-0P	71R1457
1984-00	ACL, WCA, WG, WH, WIA, WX, WX Dual, WXLL, WXR	Resistor, Blower Speed, Bakelite Back, 3 Terminal, 3 Speed	1115284	RD-5-10341-0P	71R1457
1987-05	All with OEM Part No.	Resistor, Blower Speed, Bakelite Back, 3 Terminal, 3 Speed	V1697520, RD-5-3647-0	RD-5-3647-0P	71R1450
1988-02	ACL, WCA, WG, WH, WIA, WX, WX Dual, WXLL, WXR	Resistor, Blower Speed, Bakelite Back, 3 Terminal, 3 Speed	3134241	RD-5-10341-0P	71R1457
1995-06	VN420, 610	Resistor, Blower Speed, Bakelite Back, 3 Terminal, 3 Speed	650179	RD-5-10341-0P	71R1457
1996-06	VHD, VN, 420, 610, 770	Resistor, Blower Speed, Bakelite Back, 3 Terminal, 3 Speed	BOA-80-926-00-139, 3946681	RD-5-10341-0P	71R1457
1997-04	VN420, 610, 770	Resistor, Blower Speed, Bakelite Back, 3 Terminal, 3 Speed	BOA-80-926-00-179, 3949112	RD-5-10341-0P	71R1457

71R1450 RD-5-3647-0P

3 Terminals (3/4" blade) / 3 Speeds
Bakelite base: 2 3/4" x 1 1/2" x .10" thick - Height: 1"


71R1457 RD-5-10341-0P

3 Terminals (3/4" blade) / 3 Speeds
Bakelite base: 3" x 1 3/4" x .10" thick - Height: 1 1/4"


71R1463 RD-5-10441-0P

3 Terminals (3/4" blade) / 3 Speeds
Bakelite base: .10" thick



SWITCH

1988-00	All with OEM Part No.	Bergstrom A/C units, rocker, 2 terminal, 2 position, SPST	1118424, 650088	RD-5-8967-0P	71R0840
1993-00	All with OEM Part No.	Switch, Rotary, 3 Speed, Short Shaft, 5 Terminal	BA1020, BA1190, BOA-80-926-00-059	RD-5-9833-0P	71R1160
All	All with OEM Part No.	Toggle switch, SPST, 2 terminal	60015-5015	RD-5-3748-0P	71R0010

71R0010 RD-5-3748-0P

SPST Type
Chrome Toggle
Function: ON - OFF
2 Terminals


71R0840 RD-5-8967-0P

SPST Type
Function: Off-On
Terminals 12/24VDC


71R1160 RD-5-9833-0P

3 speed, Short Shaft
DP3T
4-position
5 terminals
25 amps



Mounting hole: .442" x .385" - "D" hole

THERMOSTAT

	All with OEM Part No.	with Knob Type 72" Cap Tube	30-2750267	RD-5-11029-0P	71R2305
1988-00	WCA, WG, WH, WIA, WX	Fixed 21" capillary tube, 31 - 40°F	1118408	RD-5-10335-0P	71R3220
1994-02	ACL	Fixed 32" capillary tube	3915962, 525335, BSM323020	RD-5-11031-0P	71R2200
2000-02	VHD	Fixed 18" capillary tube, 28 - 35°F	BOA-80-946-00-129, 3093431	RD-5-10736-0P	71R3155

71R2200 RD-5-11031-0P

Mounting hole spacing: 2 3/8"
Capillary Length: 24"
Type: Fixed
Temp. Range: 31°- 39°F
Clutch Cycle Range: 5°F


71R2305 RD-5-11029-0P

Capillary Length: 73"
Type: Variable
Temp. Range: 35°- 44°F


71R3155 RD-5-10736-0P

Capillary Length: 18"
Type: Fixed
Temp. Range: 28°- 35°F
Clutch Cycle Range: 7°F


71R3220 RD-5-10335-0P

Mounting hole spacing: 2 3/8"
Capillary Length: 21"
Type: Fixed (side mount)
Temp. Range: 31°- 40°F



WATER VALVE

1998-02	WG, WXLL Dual	Cable Operated (Bergstrom), pull to open	BSM324146	RD-5-11319-0P	72R6533
1999-00	WH, WX, WXR	Cable Operated (Bergstrom), pull to open	1118414	RD-5-11319-0P	72R6533

72R6533 RD-5-11319-0P

3/8" Hose to Core Mount -
Pull to Open



ON-ROAD APPLICATIONS

WESTERN STAR

YEAR	MODEL	DESCRIPTION	OEM PART #	FACTORY #	RedDOT #
------	-------	-------------	------------	-----------	----------

WESTERN STAR

BLOWER MOTOR

	Constellation, Heritage, 3800, 4800, 4900, 5800, 5900, 6900	OE style blower motor (only), 3 3/4" length, non-vented	849601, 851402, 865236, 3093404	RD-5-10391-0P	73R0092
	Constellation, Heritage, 3800, 4800, 4900, 5800, 5900, 6900	Motor, 12V, CCW, 1 Speed, Single 5/16" Shaft, with Mounting Studs	03-7075298	RD-3106-18P	73R0202
1971-84	Constellation, Heritage, 3800, 4800, 4900, 5800, 5900, 6900	Motor, 12V, CW, 1 Speed, Single 5/16" Shaft, with Mounting Studs	02-7008314, 1707686	RD-5-9100-0P	73R0462
1971-84	Constellation, Heritage, 3800, 4800, 4900, 5800, 5900, 6900	Motor, 12V, CCW, 2 Speed, Single 5/16" Shaft, with Mounting Studs	02-7086612, 60009-5005	RD-3106-13P	73R0602
1983-01	Heritage 3800, 4800, 4900, 5900, 6900	Motor, 12V, CCW, 1 Speed, Single 5/16" Shaft, with Mounting Studs	3949263, RD-5-6526-1	RD-5-6526-1P	73R0402
1984-99	Heritage 4800, 4900, 5800, 5900, 6900	Motor, 12V, CW, 1 Speed, Single 5/16" Shaft, with Mounting Studs	RD-5-6526-0, 6009-5003	RD-5-6526-0P	73R0422
1985-98	Heritage	Motor, 12V, CCW, 1 Speed, Single 5/16" Shaft, with Mounting Studs	6009-5003, 2807-517-019	RD-5-6526-1P	73R0402
1985-98	Constellation 4800, 4900, 5900, 6900	Motor, 12V, CCW, 1 Speed, Single 5/16" Shaft, with Mounting Studs, RFI Shielded	6009-5003	RD-5-8204-0P	73R0432
1985-99	Heritage 3800, 4800, 4900, 5900, 6900	Motor, 12V, CW, 1 Speed, Single 5/16" Shaft, with Mounting Studs	60009-5009	RD-5-6526-0P	73R0422
1988-01	Heritage 3800, 4800, 4900, 5900, 6900	Motor, 12V, CW, 1 Speed, Single 5/16" Shaft, with Mounting Studs	3949262, RD-5-6526-0, RD-5-8202-0	RD-5-6526-0P	73R0422
1993-02	Constellation	Sleeper unit, single shaft, CCW, 4 13/32" length	60009-3405	RD-5-8203-0P	73R0962
1993-03	Constellation 4800, 4900, 5800, 5900	Sleeper Unit (Red Dot), motor blower assembly	176132, RD-3-4058-0P, RD-5-6315-0	RD-3-4058-0P	RD-3-4058-0P
1995-05	Heritage 4800, 4900, 5900, 6900	Motor, 12V, CW, 1 Speed, Single 5/16" Shaft, with Mounting Studs	RD-3-8657-0	RD-5-10905-0P	73R0442
1996-01	Constellation 4800, 4900, 5900, 6900	Motor, 12V, CW, 1 Speed, Single 5/16" Shaft, with Mounting Studs	RD-5-8663-0	RD-5-6526-0P	73R0422
1996-04	Constellation	Main cab (Red Dot), single shaft, 1 speed, CW, 4 3/8" length	RD-3-8657-0	RD-3-8657-0P	73R1002
1996-99	Constellation	Sleeper unit with heater blower motor, 1 speed, CW, 4" length	RD-5-9102-0	RD-5-5634-1P	73R0922

73R0092 RD-5-10391-0P



Single Speed
12 Volt
Rotates Either Direction
Stud Mounted, Span 2 3/8"
Dimensions: 3 3/8" x 2 3/8" x 3"
Shaft: 1/4" diameter, Length: 1 1/2"
Non Vented
Connector: Two conductor, 14 gauge
Supplied with 3/8" adapter

73R0202 RD-3106-18P



Single Speed
12 Volt
Rotates CCW
Field Wound Motor
Stud Mounted, Span 2 3/8"
Dimensions: 3 3/8" x 3" x 3"
Shaft: 5/16" diameter, Length: 1 3/8"
Non Vented
Connector: One conductor, 14 gauge

73R0402 RD-5-6526-1P



Single Speed
12 Volt
Rotates CCW
Permanent Magnet Motor
Stud Mounted, Span 2 3/8"
Dimensions: 5" x 4" x 3"
Shaft: 5/16" diameter, Length: 1 3/8"
Vented
Connector: Two conductor Packard #2984528, 2971859

73R0422 RD-5-6526-0P



Single Speed
12 Volt
Rotates CW
Permanent Magnet Motor
Strap/Stud Mounted, Span 2 3/8"
Dimensions: 4 3/4" x 4" x 3"
Shaft: 5/16" diameter, Length: 1 3/8"
Vented
Connector: Two conductor Packard #2984528, 2971859

73R0432 RD-5-8204-0P



Single Speed
12 Volt
Rotates CCW
Permanent Magnet Motor
Strap/Stud Mounted, Span 2 3/8"
Dimensions: 4 3/4" x 4" x 3"
Shaft: 5/16" diameter, Length: 1 3/8"
Vented - RFI
Connector: Two conductor Packard #12034343

73R0442 RD-5-10905-0P



Single Speed
12 Volt
Rotates CW
Permanent Magnet Motor
Stud Mounted, Span 2 3/8"
Dimensions: 4 3/8" x 4 1/4" x 3"
Shaft: 5/16" diameter, Length: 1 3/4"
Vented
Connector: Two conductor Packard 1/4" blade terminal #2973781

73R0462 RD-5-9100-0P



Single Speed
12 Volt
Rotates CW
Permanent Magnet Motor
Stud Mounted, Span 2 3/8"
Dimensions: 5" x 4 1/4" x 3"
Shaft: 5/16" diameter, Length: 1 1/2"
Vented
Connector: Two conductor Packard #2984528, 2971859

73R0602 RD-3106-13P



Two Speed
12 Volt
Rotates CCW
Field Wound Motor
Stud Mounted, Span 2 3/8"
Dimensions: 4 1/4" x 3 1/2" x 3"
Shaft: 5/16" diameter, Length: 1 1/2"
Vented
Connector: Two conductor, orange-high, red-low

BLOWER MOTOR CONTINUED ON NEXT PAGE

YEAR	MODEL	DESCRIPTION	OEM PART #	FACTORY #	RedDOT #
------	-------	-------------	------------	-----------	----------

WESTERN STAR

73R0922 RD-5-5634-1P

Single Speed
12 Volt
Rotates CW
Permanent Magnet Motor
Stud Mounted, Span 2 3/16"
Dimensions: 4 7/8" x 4 1/4" x 3"
Shaft: 3/16" diameter, Length: 1 1/8"
Vented
Connector: Two conductor Packard #2984528, 2971859



73R0962 RD-5-8203-0P

Single Speed
12 Volt
Rotates CCW
Permanent Magnet Motor
Stud Mounted, Span 2 3/16"
Dimensions: 4 9/16" x 4" x 3"
Shaft: 3/16" diameter, Length: 2"
Vented
Connector: Two conductor, 3/4" blade terminals Packard #2984528



73R1002 RD-3-8657-0P

Single Speed
12 Volt
Rotates CW
Permanent Magnet Motor
Stud Mounted, Span 2 3/16"
Dimensions: 4 3/8" x 4" x 3"
Shaft: 3/16" diameter, Length: 1 13/16"
Vented - RFI



BLOWER WHEEL

	Constellation, Heritage, 3800, 4800, 4900, 5800, 5900, 6900	CCW, Single Entry	RD-5-8618-0P, RD-3106-9P	RD-5-8618-0P	73R6051
1983-00	Constellation 4800, 4900, 5800, 5900	Main unit, single entry wheel (plastic), CW, 5 1/4" diame	02-7073625	RD-3106-38P	73R6101
1984-96	Constellation 3800, 4800, 4900, 5900, 6900	CCW, Single Entry	60010-5001, RD-5-8618-0P	RD-5-8618-0P	73R6051
1985-98	Heritage 3800, 4800, 4900, 5900, 6900	CW, Single Entry	60010-4401	RD-5-5263-0P	73R6230
1985-98	Constellation 4800, 4900, 5800, 5900	CW, Single Entry	60010-4401, RD-5-3800-1P	RD-5-3800-1P	73R6251
1988-01	Heritage 3800, 4800, 4900, 5900, 6900	CW, Single Entry	3949274, RD-3106-15, RD-5-3800-1	RD-5-3800-1P	73R6251
1995-01	Constellation 4800, 4900, 5800, 5900	CW, Single Entry	60012-5001, RD-5-5601-0	RD-5-5601-0P	73R6370

73R6051 RD-5-8618-0P

5 1/4" diameter, 3 1/2" width
3/16" bore diameter
Hub inset: 3/4"
CCW Rotation
Steel



73R6101 RD-3106-38P

5 1/4" diameter, 2 1/2" width
3/16" bore diameter
Hub inset: 7/8"
CW Rotation
Steel



73R6230 RD-5-5263-0P

5 1/4" diameter, 3 1/2" width
3/16" bore diameter
Hub inset: 3/4"
CW Rotation
Steel



73R6251 RD-5-3800-1P

5 1/4" diameter, 3 7/16" width
3/16" bore diameter
Hub inset: Flat
CW Rotation
Steel



73R6370 RD-5-5601-0P

5 3/4" diameter, 3" width
3/16" bore diameter
Hub inset: 1 13/16"
CCW Rotation
Plastic



ON-ROAD APPLICATIONS

WESTERN STAR

YEAR	MODEL	DESCRIPTION	OEM PART #	FACTORY #	RedDOT #
------	-------	-------------	------------	-----------	----------

WESTERN STAR

CLUTCH ASSEMBLY

	Constellation, Heritage, 3800, 4800, 4900, 5800, 5900, 6900	12V, 1A Groove-Overhang, 125MM, 1 Wire	511575, 511869	RD-5-6646-0P	75R0182
	Constellation, Heritage, 3800, 4800, 4900, 5800, 5900, 6900	12V, 2A Groove, 132MM, 1 Wire	509285, 6575-6310	RD-5-5486-0P	75R0202
	Constellation, Heritage, 3800, 4800, 4900, 5800, 5900, 6900	12V, 2A Groove, 125MM, 1 Wire	511051, 624-19749	RD-5-10723-0P	75R0262
	Constellation, Heritage, 3800, 4800, 4900, 5800, 5900, 6900	12V, 2A Groove, 6", 2 Wire	024 25238, 30932420, 520566, 522582	RD-5-9456-0P	75R1302
	Constellation, Heritage, 3800, 4800, 4900, 5800, 5900, 6900	1 groove, 6 3/4" diameter pulley, 1/2" width, 1 3/4" gaugeline, bullet plug	02-7010496, L50-2731, 502731	RD-5-4975-0P	75R1652
	Constellation, Heritage, 3800, 4800, 4900, 5800, 5900, 6900	12V, 2A Groove, 7", 1 Wire	02-7074272, 332334, MA 7A	RD-5-4994-0P	75R4502

75R0182 RD-5-8382-0P

Model: Seltec/TAMA - CH
Diameter: 4.9" / 125mm
Groove: 1
Width: 1/2"
12 Volts
B Dimension: 2 3/16" / 62 mm



Single wire coil
Male bullet plug

75R0202 RD-5-5486-0P

Model SD5 (508, 510, 5H14)
Diameter: 5 1/4" / 132mm
Groove: 2
Width: 1/2"
12 Volts
B Distance: 1 9/16" / 40mm



Single wire coil
Bare wire

75R0262 RD-5-10723-0P

Model: Seltec - TM15
Diameter: 4.9" / 125mm
Groove: 2
Width: 1/2"
12 Volts
B Dimension: 1 9/16" / 40 mm



Single wire coil
Male bullet plug

75R1302 RD-5-9456-0P

Diameter: 6"
Groove: 2
Width: 1/2"
12 Volts
B Dimension: 1 5/8"



Double wire coil w diode
Metripak plug

75R1652 RD-5-4975-0P

OE #L50-2731
Diameter: 6 3/4"
Groove: 1
Width: 5/8"
12 Volts
B Dimension: 1 3/8"



Single wire coil
Male bullet plug

75R4502 RD-5-4994-0P

Diameter: 7"
Groove: 2
Width: 1/2"
12 Volts
B Dimension: 2"



Single wire coil
Male bullet plug

YEAR	MODEL	DESCRIPTION	OEM PART #	FACTORY #	RedDOT #
WESTERN STAR					
COMPRESSOR					
	Constellation, Heritage, 3800, 4800, 4900, 5800, 5900, 6900	Rotolock, LH Suction, #8 Discharge, #10 Suction, NO CLUTCH	ER210L-25149	RD-5-8637-0P	75R7280
	Constellation, Heritage, 3800, 4800, 4900, 5800, 5900, 6900	Rotolock, LH Suction, #8 Discharge, #10 Suction, NO CLUTCH	99242-5	RD-5-8637-0P	75R7280
	Constellation, Heritage, 3800, 4800, 4900, 5800, 5900, 6900	Tube-0, LH Suction, 1"-14 Discharge, 1"-14 Suction, NO CLUTCH	ET210L-25150	RD-5-8638-0P	75R7290
	Constellation, Heritage, 3800, 4800, 4900, 5800, 5900, 6900	Tube-0, LH Suction, 1"-14 Discharge, 1"-14 Suction, NO CLUTCH	99244-5	RD-5-8638-0P	75R7290
	Constellation, Heritage, 3800, 4800, 4900, 5800, 5900, 6900	Tube-0, LH Suction, 1"-14 Discharge, 1"-14 Suction, 12V, 2A Groove, 6", 1 Wire	ET210L-25073C	RD-5-11217-0P	75R7312
	Constellation, Heritage, 3800, 4800, 4900, 5800, 5900, 6900	Tube-0, LH Suction, 1"-14 Discharge, 1"-14 Suction, 12V, 2A Groove, 6", 2 Wire	ET210L-25237C	RD-5-11218-0P	75R7322
	Constellation, Heritage, 3800, 4800, 4900, 5800, 5900, 6900	Tube-0, LH Suction, 1"-14 Discharge, 1"-14 Suction, 12V, 2A Groove, 6", 2 Wire	ET210L-25246C	RD-5-11219-0P	75R7332
	Constellation, Heritage, 3800, 4800, 4900, 5800, 5900, 6900	7H15HD, 12V, PV8 Groove, 119MM, 1 Wire, JDA Head	4645, 4665, 61104-3423, 85100887	RD-5-11313-0P	75R81452
	Constellation, Heritage, 3800, 4800, 4900, 5800, 5900, 6900	7H15, 12V, PV8 Groove, 119MM, 2 Wire, KC Head, Direct Mount	61104-3430, 4667, 4897	RD-5-11326-0P	75R81502
	Constellation, Heritage, 3800, 4800, 4900, 5800, 5900, 6900	7H15HD, 12V, 2A Groove, 125MM, 1 Wire, JD Head	61104-3411, 3916160	RD-5-7120-0P	75R8422
	Constellation, Heritage, 3800, 4800, 4900, 5800, 5900, 6900	7H15HD, 12V, 2A Groove, 125MM, 1 Wire, JD Head	4627, 8164872	RD-5-7120-0P	75R8422
	Constellation, Heritage, 3800, 4800, 4900, 5800, 5900, 6900	7H15, JD Head, direct mount, 2A groove, 5 1/4" diameter (132mm)	20370292, 4780	RD-5-7522-0P	75R8432
	Constellation, Heritage, 3800, 4800, 4900, 5800, 5900, 6900	7H15, KCA head, direct mt, poly 8, 4.7" (119mm) diameter	61104-3430, 4666, 4897	RD-5-10285-0P	75R84472
	Constellation, Heritage, 3800, 4800, 4900, 5800, 5900, 6900	QP15HD, 12V, 2A Groove, 135MM, 1 Wire, F Head, R-12	488-25011	RD-5-5876-1P	75R8512Q
	Constellation, Heritage, 3800, 4800, 4900, 5800, 5900, 6900	QP15HD, 12V, 1A Groove Overhang, 125MM, 1 Wire, D Head	488-45063	RD-5-8944-1P	75R8532Q
	Constellation, Heritage, 3800, 4800, 4900, 5800, 5900, 6900	QP15HD, 12V, 2A Groove, 135MM, 1 Wire, D Head	488-45077	RD-5-9609-10P	75R8552Q
	Constellation, Heritage, 3800, 4800, 4900, 5800, 5900, 6900	QP15HD, 12V, 2A Groove, 135MM, 1 Wire, D Head	488-45011	RD-5-7145-1P	75R8612Q
	Constellation, Heritage, 3800, 4800, 4900, 5800, 5900, 6900	QP15HD, 12V, 1 VAR Groove, 159MM, 1 Wire, D Head	488-45065	RD-5-7164-1P	75R8632Q

ON-ROAD APPLICATIONS

WESTERN STAR

YEAR	MODEL	DESCRIPTION	OEM PART #	FACTORY #	RedDOT #
------	-------	-------------	------------	-----------	----------

WESTERN STAR

COMPRESSOR

1993-03	Constellation, Heritage, 3800, 4800, 4900, 5800, 5900, 6900	7H15HD, 12V, 2A Groove, 132MM, 2 Wire, JDA Head, Direct Mount	61104-3420, 20370292, 4626	RD-5-7522-0P	75R8432
2010-14	Constellation, Heritage, 3800, 4800, 4900, 5800, 5900, 6900	Nippondenso 12v, PV8 groove 140mm dia direct mount	10S15C, 22-65770-000	RD-5-14644-0P	75R9072
2011-14	Constellation, Heritage, 3800, 4800, 4900, 5800, 5900, 6900	Nippondenso PV8 159mm dia direct mount	10S15C, 22-65771-000	RD-5-14645-0P	75R9082

75R7280 RD-5-8637-0P

Fitting: 1" - 14
Universal, Standard Duty with Super Screws, Felt Ring, PRV and Ester Oil
Supplied without clutch
No connector supplied



75R7290 RD-5-8638-0P

Fitting: 1" - 14
Universal, Standard Duty with Super Screws, Felt Ring, PRV and Ester Oil
Supplied without clutch
No connector supplied



75R7332 RD-5-11219-0P

Fitting: 1" - 14
OE Replacement, Standard Duty
Clutch: 6 3/8", Poly 8, .014"
Gauge Line: 1 3/16"
Connector: 2 wire Metripak



75R81452 RD-5-11313-0P

Model: 7H15HD Head: JDA Voltage: 12
Mount: Ear Sanden: 4645
Clutch: 4.7" (119mm) Poly 7 **R134a**



75R81502 RD-5-11326-0P

Model: 7H15 Head: KC Voltage: 12
Mount: Direct Sanden: 4667
Clutch: 4.7" (119mm) Poly 8 **R134a**



75R8422 RD-5-7120-0P

Model: 7H15HD Head: JD Voltage: 12
Mount: Ear Sanden: 4627
Clutch: 4.9" (125mm) A2 Groove **R134a**



75R8432 RD-5-7522-0P

Model: 7H15HD Head: JDA Voltage: 12
Mount: Direct Sanden: 4626, 4695
Clutch: 5 1/4" (132mm) A2 Groove **R134a**



75R84472 RD-5-10285-0P

Model: 7H15 Head: KC Voltage: 12
Mount: Direct Sanden: 4666
Clutch: 4.7" (119mm) Poly 8 **R134a**



75R8512Q RD-5-5876-1P

Model: QP-15HD Head: F Voltage: 12V
Mount: Ear ICE: 2521121 Seltec: 488-25011
Clutch: 5 1/4" (135mm) 2 Groove **R-12**



75R8532Q RD-5-8944-1P

Model: QP-15HD Head: D Voltage: 12V
Mount: Ear ICE: 2521166 Seltec: 488-45063
Clutch: 5" (125mm) 1 Groove overhang **R134a**



75R8552Q RD-5-9609-10P

Model: QP-15HD Head: D Voltage: 12V
Mount: Ear ICE: 2521301 Seltec: 488-45077
Clutch: 5 1/4" (135mm) 2 Groove **R134a**



75R8612Q RD-5-7145-1P

Model: QP-15HD Head: D Voltage: 12V
Mount: Ear ICE: 2521152 Seltec: 488-45011
Clutch: 5 1/4" (135mm) 2 Groove **R134a**



75R8632Q RD-5-7164-1P

Model: QP-15HD Head: D Voltage: 12V
Mount: Ear ICE: 2521167 Seltec: 488-45065
Clutch: 6 3/4" (159mm) Variable 1 Groove **R134a**



75R9072 RD-5-14644-0P

Model: 10S15C
Clutch: 140mm PV8 Clutch
Voltage: 12



75R9082 RD-5-14645-0P

Model: 10S15C
Clutch: 164mm PV8 Clutch
Voltage: 12



COMPRESSOR CONTINUED ON NEXT PAGE

YEAR	MODEL	DESCRIPTION	OEM PART #	FACTORY #	RedDOT #
------	-------	-------------	------------	-----------	----------

WESTERN STAR

CONDENSER

1986-92	Constellation, Heritage, 3800, 4800, 4900, 5800, 5900, 6900	Serpentine Type overall 29 3/4", fin width 27 1/8" x 15 3/4"	61203-3209	RD-4-3916-0P	77R0950
1994-04	Constellation, Heritage, 3800, 4800, 4900, 5800, 5900, 6900	Condenser Coil	61203-3428	RD-4-5287-0P	77R7815
1994-06	604	Grilldenser Type overall 39 3/7", fin width 35 1/2" x 22 5/6"	61203-3409	RD-4-5273-0P	77R6817
2005-08	Constellation	Grilldenser Type overall 39 3/7", fin width 35 1/2" x 22 5/6"	61203-3418	RD-4-5273-0P	77R6817
2008-12	Constellation, Heritage, 3800, 4800, 4900, 5800, 5900, 6900	34.5" X 22" X 3/4"	22-66839, RDH4 7131 0	RD-4-7131-0P	77R1277

77R0950 RD-4-3916-0P
Serpentine Coil Type
Overall Width: 29 3/4"
Fin Width: 27 1/8"
Height: 15 3/4"
Thickness: 3/4"



77R1277 RD-4-7131-0P
Overall Width: 34 1/2"
Fin Width: 32 3/4"
Height: 17 1/2"
Thickness: 3/4"



77R6817 RD-4-5273-0P
Grilldenser Type
Overall Width: 39 3/4"
Fin Width: 35 1/2"
Height: 22 5/6"
Thickness: 1 1/8"



EVAPORATOR

1983-08	Heritage 3800, 4800, 4900, 5800, 5900, 6900	Evaporator Coil	176167, 6004-4403	RD-2-1402-0P	76R6150
1988-01	Heritage 3800, 4800, 4900, 5900, 6900	Main unit	176169, 6004-4401	RD-2-1272-0P	76R6310
1993-04	Constellation	Main unit (Red Dot R-5260), 8" high x 5 5/8" long x 2 1/2" wide	60004-3401	RD-2-2423-0P	76R7530
1993-09	Constellation	Sleeper unit (Red Dot R-4230), 8 1/8" x 7 7/8" x 3 13/32"	60004-3402	RD-2-1898-0P	76R6130
2004-08	Constellation	Main unit (Red Dot R-5275)		RD-2-4032-0P	76R7535


76R6130 RD-2-1898-0P
8 3/4" high x 7 29/32" long x 3 13/32" wide



76R6150 RD-2-1402-0P
8" high x 8" long x 3 13/32" wide



76R6310 RD-2-1272-0P
8" high x 9" long x 3" wide



76R7530 RD-2-2423-0P
10 7/64" high x 11" long x 3 13/32" wide



76R7535 RD-2-4032-0P
10 7/64" high x 11" long x 3 13/32" wide



ON-ROAD APPLICATIONS

WESTERN STAR

YEAR	MODEL	DESCRIPTION	OEM PART #	FACTORY #	RedDOT #
------	-------	-------------	------------	-----------	----------

WESTERN STAR

EXPANSION VALVE

	Constellation, Heritage, 3800, 4800, 4900, 5800, 5900, 6900	Right Angle, Flare, with Capillary, with Equalizer	02-7010501, 02-7086617, 2684701-C1	RD-4126-1P	71R8050
	Constellation, Heritage, 3800, 4800, 4900, 5800, 5900, 6900	Right Angle, O Ring, with Capillary, with Equalizer	02-7086505, RD-5-3824-1	RD-5-3824-1P	71R8100
	Constellation, Heritage, 3800, 4800, 4900, 5800, 5900, 6900	Main unit, all models with male O-Ring fitting, 12" capillary	A22-14420-1	RD-5-10445-0P	71R8220
1988-08	Constellation 3800, 4800, 4900, 5800, 5900, 6900	Block, #6 #10 #8 #8, with Mounting Holes	3916657, 60012-4401, 60012-5001	RD-5-6868-1P	71R8301
1993-07	Constellation 4800, 4900, 5800, 5900, 6900	Block, #6 #10 #8 #10, with Mounting Holes	RD-5-7015-0	RD-5-7015-1P	71R8321

71R8050 RD-4126-1P

External Equalizer
Inlet: #6 (3/8") Male Flare
Outlet: #8 (1/2") Male Flare
 Equalizer Tube
Length: 18"
Nut: 1/4" Female Flare
Capillary Tube Length: 18"
Rating: 1 1/2 Ton



71R8100 RD-5-3824-1P

External Equalizer
Inlet: #6 (1/2") Male O-Ring
Outlet: #8 (1/2") Male O-Ring
 Equalizer Tube
Length: 13"
Nut: 1/4" Female O-Ring
Capillary Tube Length: 13"
Rating: 1 1/2 Ton



71R8220 RD-5-10445-0P

Internal Equalizer **LS**
Inlet: #6 (1/2") Male O-Ring
Outlet: #8 (1/2") Male O-Ring
 Equalizer Tube
Capillary Tube Length: 12"
Rating: 1 1/2 Ton



71R8301 RD-5-6868-0P

Inlet: #6 (3/8") Female O-Ring
Outlet: #10 (3/8") Female O-Ring
 Evaporator Fittings
In: #8 (1/2") Female O-Ring
Out: #8 (1/2") Female O-Ring
Superheat Rating: 5°F
Pressure Limit: 80 psig @40°F



71R8321 RD-5-7015-0P

High Capacity (2 Ton)
Inlet: #6 (3/8") Female O-Ring
Outlet: #10 (3/8") Female O-Ring
 Evaporator Fittings
In: #8 (1/2") Female O-Ring
Out: #10 (3/8") Female O-Ring
Superheat Rating: 8°F
Pressure Limit: 53.5 psig @75°F



FAN

	Constellation, Heritage, 3800, 4800, 4900, 5800, 5900, 6900	Bergstrom, Kysor and Red Dot A/C, 6" diameter, CW	02-7075303	RD-3133-9P	73R8050
--	---	---	------------	------------	----------------

73R8050 RD-3133-9P

6" Diameter



FILTER

	Constellation, Heritage, 3800, 4800, 4900, 5800, 5900, 6900	Framed mesh filter, 11 5/8" wide x 5" high x 7/8" thick	60015-3418, RD-3-8777-0P	RD-3-8777-0P	78R5241
1995-05	4900, Constellation, Heritage Filter, Cab Air		WS101P	RD-5-10775-0P	78R5308

78R5241 RD-3-8777-0P

11 5/8" wide x 5" high x 7/8" thick



78R5308 RD-5-10775-0P

13 5/8" wide x 10" high x 3/4" thick



YEAR	MODEL	DESCRIPTION	OEM PART #	FACTORY #	RedDOT #
------	-------	-------------	------------	-----------	----------

WESTERN STAR

HEATER CORE

1983-99	3800, 4800, 4900, 5800, 5900, 6900	Heater Core	60003-4405	RD-1-0460-1P	76R2500
1985-03	Heritage 4800, 4900, 5800, 5900	Sleeper unit, Red Dot Heater A/C (R-2560)	RD-1-0665-0	RD-1-0665-0P	76R2450
1988-01	Heritage 3800, 4800, 4900, 5800, 5900, 6900	Heater Core	RD-1-0460-1, 176280, 60003-4405	RD-1-0460-1P	76R2500
1993-03	Constellation 4800, 4900, 5800, 5900	Main unit, Red Dot Heater A/C (R-2560)	60004-3403	RD-1-1201-0P	76R2420
1996-99	3800, 4800, 4900, 5800, 5900, 6900	Sleeper unit, Red Dot Heater A/C	3949252, 60003-4404	RD-1-0563-0P	76R2400
2004-07	Constellation	Main unit	RD-1-1965-0	RD-1-1965-0P	76R4023

76R2400 RD-1-0563-0P

8" high x 8" long x 2 1/2" wide



76R2420 RD-1-1201-0P

10 3/4" high x 11" long x 2 1/2" wide



76R2450 RD-1-0665-0P

8" high x 7 3/4" long x 2 3/4" wide



76R2500 RD-1-0460-1P

8" high x 9" long x 2 1/2" wide



76R4023 RD-1-1965-0P

10 3/4" high x 11" long x 2 3/4" wide



PRESSURE SWITCH

1987-09	Constellation, Heritage, 3800, 4800, 4900, 5800, 5900, 6900	Switch, Pressure, Trinary, NO	RD-5-4585-0, 02-2750417	RD-5-4585-0P	71R7500
1987-09	3800, 4800, 4900, 5900, 6900	Switch, Pressure, Trinary, NC	176225, RD-5-4625-0	RD-5-4625-0P	71R7650

71R7500 RD-5-4585-0P

3/4" - 24 UNF-2A
Male thread with bulkhead seal, 2-012 O-Ring
Shutter/fan switch is normally open



71R7650 RD-5-4625-0P

3/4" - 20 UNF-2B
Female thread for male Schrader
Shutter/fan switch is normally closed



ON-ROAD APPLICATIONS

WESTERN STAR

YEAR	MODEL	DESCRIPTION	OEM PART #	FACTORY #	RedDOT #
------	-------	-------------	------------	-----------	----------

WESTERN STAR

RECEIVER DRIER

	Constellation, Heritage, 3800, 4800, 4900, 5800, 5900, 6900	#6 male O-Ring, 2 3/4" X 10", binary switch	02-7077922	RD-5-9455-0P	74R1836
	Constellation, Heritage, 3800, 4800, 4900, 5800, 5900, 6900	#6 male O-Ring, 2 3/4" X 10", without binary switch	02-0707988	RD-5-5572-0P	74R1856
	Constellation, Heritage, 3800, 4800, 4900, 5800, 5900, 6900	2 3/4"x9 5/8", #6MOR in, #6 MOR out, PRV, Side Glass, Top Port with Trinary Switch	02-7077984	RD-5-4632-1P	74R1906
	Constellation, Heritage, 3800, 4800, 4900, 5800, 5900, 6900	2 3/4"x9 5/8", #6MOR in, #6MOR out, PRV, Top Glass, Side Port with Trinary Switch	RD-5-4632-0	RD-5-4632-0P	74R1956
	Constellation, Heritage, 3800, 4800, 4900, 5800, 5900, 6900	2 3/4"x9 5/8", #6MOR in, #6MOR out, PRV, Top Glass, Side Port with Trinary Switch	04-9041020	RD-5-4632-0P	74R1956
	Constellation, Heritage, 3800, 4800, 4900, 5800, 5900, 6900	#6 male O-Ring, 2 3/4" X 10 5/8", without trinary switch	RD-5-6567-2	RD-5-6768-2P	74R2797
1983-06	Heritage 4800, 4900, 5800, 5900, 6900	Main unit, 3" X 10", #6 male O-Ring, moisture indicator	RD-5-7517-0, 176243, 61506-3402	RD-5-11185-0P	74R3137
1988-93	3800, 4800, 4900, 5900, 6900	O-Ring Type with Fuse Plug & Charge Port	176243, 61506-3402-000	RD-5-9515-1P	74R2677
1993-06	Constellation 4800, 4900, 5800, 5900	Main unit, 3" X 10", #6 male O-Ring, moisture indicator	61506-3406-000, 088343-000	RD-5-11186-0P	74R3377

74R1836 RD-5-9455-0P 2 1/4" diameter x 10" long #6 Male O-Ring Includes Binary Switch - Top Fuse Top Port		74R1856 RD-5-5572-0P 2 1/4" diameter x 10" long #6 Male O-Ring (Schrader Port) High Capacity Pressure Relief Side Port		74R1906 RD-5-4632-1P Includes Trinary™ Switch - Top 2 1/4" diameter x 9 5/8" long #6 Male O-Ring High Capacity Pressure Relief Side Port		74R1956 RD-5-4632-0P Includes Trinary™ Switch - Side 2 1/4" diameter x 9 5/8" long #6 Male O-Ring High Capacity Pressure Relief Side Port	
74R2677 RD-5-9515-1P Includes Moisture Indicator 3" diameter x 7 1/4" long #6 Male O-Ring (Schrader Port) High Capacity		74R2797 RD-5-6768-2P Includes Moisture Indicator 3" diameter x 10 5/8" long #6 Male O-Ring High Capacity Press Relief Top Port		74R3137 RD-5-11185-0P Includes Moisture Indicator 3" diameter x 10" long #6 Male O-Ring High Capacity Fuse Side Port		74R3377 RD-5-11186-0P Includes Moisture Indicator 3" diameter x 10" long #6 Male O-Ring (Schrader Ports) High Capacity Fuse Side Port, 1/4" male Flare	

RELAY

1988-95	Constellation, Heritage, 3800, 4800, 4900, 5800, 5900, 6900	Relay, Blower, 12V, 20/30A, Tab Mount, 5 Terminals	0332-204-125, 150	RD-5-4408-0P	71R1702
1988-95	Constellation, Heritage, 3800, 4800, 4900, 5800, 5900, 6900	Relay, Blower, 24V, 20/30A, Tab Mount, 5 Terminal	0332-204-203	RD-5-4417-0P	71R1704
1996-04	Constellation, Heritage, 3800, 4800, 4900, 5800, 5900, 6900	Relay, Blower, 12V, 30/40A, Socket Mount	BOA-80-945-00-079, VF4-15F11-501	RD-5-9915-0P	71R1722

71R1702 RD-5-4408-0P 12V Relay, 30/20 amps, SPDT, 5 terminals Bosch type		71R1704 RD-5-4417-0P 24V Relay, 20/10 amps, Bosch type SPDT, 5 terminals		71R1722 RD-5-9915-0P 12V Relay with Diode, 40/30 amps, SPST, 5 terminals	
---	---	---	---	---	--

YEAR	MODEL	DESCRIPTION	OEM PART #	FACTORY #	RedDOT #
------	-------	-------------	------------	-----------	----------

WESTERN STAR

SWITCH

	Constellation, Heritage, 3800, 4800, 4900, 5800, 5900, 6900	Switch, Rotary, 3 Speed, Long Shaft, 5 Terminal	BOA-80-926-00-109	RD-5-3646-0P	71R1150
	Constellation, Heritage, 3800, 4800, 4900, 5800, 5900, 6900	Rotary switch, 3 speed, DP3T, 4 position, 5 terminal	176573	RD-5-5194-0P	71R1210
1993-00	Constellation, Heritage, 3800, 4800, 4900, 5800, 5900, 6900	Switch, Rotary, 3 Speed, Short Shaft, 5 Terminal	BOA-80-926-00-059	RD-5-9833-0P	71R1160

71R1150 RD-5-3646-0P
3 speed, Long Shaft
DP3T
4-position
5 terminals
25 amps
Mounting hole: .442" x .385" - "D" hole



71R1160 RD-5-9833-0P
3 speed, Short Shaft
DP3T
4-position
5 terminals
25 amps
Mounting hole: .442" x .385" - "D" hole



71R1210 RD-5-5194-0P
3 Speed with Resistor -
DP3T,
4-position,
5 terminals
18 amps
Uses Knob
71R4050
Mounting hole: .500"



THERMOSTAT

1972-78	Constellation, Heritage, 3800, 4800, 4900, 5800, 5900, 6900	Adjustable, 36" Probe	A22-15817A-001	RD-4125-36P	71R2250
1983-97	Constellation, Heritage, 3800, 4800, 4900, 5800, 5900, 6900	Variable, Cable Controlled, 30" Capillary	02-7010174, RD-4226-0	RD-4226-0P	71R2700
1985-09	4800, 4900, 5800, 5900	Fixed, 24" Probe	60054-4401-000, 3949291	RD-5-4531-24P	71R3200
1987-96	Constellation, Heritage, 3800, 4800, 4900, 5800, 5900, 6900	Adjustable, 36" Probe	RD-4125-36	RD-4125-36P	71R2250

71R2250 RD-4125-36P
Capillary Length: 36"
Type: Variable
Temp. Range: 34°- 52°F
Clutch Cycle Range: 5°F



71R2700 RD-4226-0P
Pull for cold Variable temp. Mounting hole spacing
2 1/16"
Capillary Length: 30"
Type: Variable
Temp. Range: 34°- 54°F
Clutch Cycle Range: 5°F



71R3200 RD-5-4531-24P
Mounting hole spacing: 2 1/4"
Capillary Length: 24"
Type: Fixed (side mount)
Temp. Range: 31°- 39°F
Clutch Cycle Range: 8°F



WATER VALVE

	Constellation, Heritage, 3800, 4800, 4900, 5800, 5900, 6900	Cable Controlled, 5/8" Hose, STR-STR, Pull to Open	RD 5 4923 0, 677413	RD-5-4923-0P	72R5040
	Constellation, Heritage, 3800, 4800, 4900, 5800, 5900, 6900	Cable Operated, Red Dot (5/8" to 5/8"), pull to open	RDH RD5 5300 1	RD-5-5300-1P	72R5210

72R5040 RD-5-4923-0P
5/8" hose to 5/8" hose



72R5210 RD-5-5300-1P
5/8" Hose to 5/8" Hose
Pull To Open



OFF-ROAD APPLICATIONS

Model	Description	OEM Part No.	Factory No.	Part No.
-------	-------------	--------------	-------------	----------

AGCO, AGCO-ALLIS

BLOWER MOTOR

200	Double shaft motor, vented, 12V, 1 speed, 4 13/16" length	RD-5-5121-1	RD-5-5121-1P	73R4262
8030, 8050, 8070	Kysor/Evans (condenser blower), non vented, 12V, 1 speed, CW, 4 7/8" length	70257681-0, HV33208	RD-5-3690-1P	73R0532
Air Planter	Single shaft motor, (2 reqd), 1 speed, 12V, CW, 4 3/4" length, vented	RD-5-6526-0	RD-5-6526-0P	73R0422
Challenger 35, Challenger 45, Challenger55	Blower Assembly, mixed flow for standard control units	RD-3-8783-0P	RD-3-8783-0P	RD-3-8783-0P
Challenger 35, Challenger 45, Challenger55	Blower Assembly, mixed flow for ATC applications	RD-3-8783-0P	RD-3-8783-0P	RD-3-8783-0P
Gleaner F2, Gleaner F3	Kysor/Evans (condenser blower), non vented, 12V, 1 speed, CW, 4 7/8" length	70257681-0, HV33208	RD-5-3690-1P	73R0532
Gleaner F2, GleanerF3	Kysor A/C (evaporator blower), double shaft motor, 1 speed, 12V, 4 7/8" length	70257336-1	RD-5-10068-0P	73R4322
Gleaner G, Gleaner GH	Kysor/Evans (condenser blower), non vented, 12V, 1 speed, CW, 4 7/8" length	70257681-0, HV33208	RD-5-3690-1P	73R0532
Gleaner K2	Kysor A/C (evaporator blower), double shaft motor, 1 speed, 12V, 4 7/8" length	70257336-1	RD-5-10068-0P	73R4322
Gleaner K2	Kysor/Evans (condenser blower), non vented, 12V, 1 speed, CW, 4 7/8" length	70257681-0, HV33208	RD-5-3690-1P	73R0532
Gleaner L, Gleaner L2, Gleaner L3	Kysor/Evans (condenser blower), non vented, 12V, 1 speed, CW, 4 7/8" length	70257681-0, HV33208	RD-5-3690-1P	73R0532
Gleaner M Hillside	Kysor A/C, double shaft motor, 1 speed, 12V, 4 7/8" length	70257336-1	RD-5-10068-0P	73R4322
Gleaner MH2, Gleaner N2, Gleaner N3, Gleaner N5, Gleaner N6, Gleaner N7	Kysor/Evans (condenser blower), non vented, 12V, 1 speed, CW, 4 7/8" length	70257681-0, HV33208	RD-5-3690-1P	73R0532
Gleaner R4, Gleaner R5	Single shaft motor, non vented, 12V, 1 speed, CW, 4 7/8" length	70257681-0, HV33208	RD-5-3690-1P	73R0532

73R0422 RD-5-6526-0P



Single Speed
12 Volt
Rotates CW
Permanent Magnet Motor
Strap/Stud Mounted, Span 2 3/4"
Dimensions: 4 3/4" x 4" x 3"
Shaft: 3/8" diameter, Length: 1 5/8"
Vented
Connector: Two conductor Packard #2984528, 2971859

73R0532 RD-5-3690-1P



Single Speed
12 Volt
Rotates Clockwise
Permanent Magnet Motor
Strap / Stud Mounted, Span 2 3/16"
Dimensions: 4 7/8" x 4" x 3"
Shaft: 3/16" diameter, Length: 1"
Non Vented
Connector: Two conductor with ring terminal

73R4262 RD-5-5121-1P



Single Speed
12 Volt
Permanent Magnet Motor
Strap / Stud Mounted, Span 2 3/16"
Dimensions: 4 3/16" x 4" x 3"
Shafts: 5/16" diameter, length: 2 1/8"
Vented
Connector: Two conductor Packard #8900420, 1/4" blade terminal

73R4322 RD-5-10068-0P



Single Speed
12 Volt
Permanent Magnet Motor
Stud Mounted, Span 2 5/16"
Dimensions: 4 7/8" x 4 1/2" x 3"
Shafts: 3/8" diameter, length: 2 1/2"
Vented
Connector: Two conductor 1/4" spade receptacle

73R0422 RD-5-6526-0P



Single Speed
12 Volt
Rotates CW
Permanent Magnet Motor
Strap/Stud Mounted, Span 2 3/4"
Dimensions: 4 3/4" x 4" x 3"
Shaft: 3/8" diameter, Length: 1 5/8"
Vented
Connector: Two conductor Packard #2984528, 2971859

Model	Description	OEM Part No.	Factory No.	Part No.
-------	-------------	--------------	-------------	----------

AGCO, AGCO-ALLIS

BLOWER SWITCH

200, 4W, 6060, 6080 Type 2, 7020, 7040, 7045, 7060, 7080, 7580, 8010, 8050, 8070	Rotary switch, 3 speed, DP3T, 4 position, 5 terminal	71195109	RD-5-10934-0P	71R1163
200, 6060, 6080 type 1, 7020, 7040, 7045, 7060, 7080, 7580, 8550	Rotary switch, 3 speed, DP3T, 4 position, 5 terminal	1175262-3	RD-5-5194-0P	71R1210
F2, F3, K, L3, M2, MH2, N2, N3, N5, N6, N7, R42, R5, R52, R6, R7	Rotary switch, 3 speed, DP3T, 4 position, 5 terminal	71195109	RD-5-10934-0P	71R1163
L Series, M Series	Rotary switch, 3 speed, DP3T, 4 position, 5 terminal	1175262-3	RD-5-5194-0P	71R1210

71R1163 RD-5-10934-0P

3 speed
DP3T
4-position
5 terminals
25 amps



Mounting hole: .442" x .385" - "D" hole

71R1210 RD-5-5194-0P

3 Speed with Resistor -
DP3T,
4-position,
5 terminals
18 amps
Uses Knob
71R4050
Mounting hole: .500"



BLOWER WHEEL

Gleaner F Model	Bergstrom A/C with 4 1/2" double entry wheel, 3 3/8" width	BSM302042	RD-5-10346-0P	73R7130
Gleaner F2, Gleaner K2, Gleaner L2, Gleaner M2, Gleaner MH2	Bergstrom A/C with 4 1/2" double entry wheel, 3 3/8" width	BSM302042	RD-5-10346-0P	73R7130
Gleaner N5, Gleaner N6, Gleaner N7	Bergstrom A/C with 4 1/2" double entry wheel, 3 3/8" width	BSM302042	RD-5-10346-0P	73R7130
Gleaner N5, Gleaner N6, Gleaner N7	Bergstrom A/C with 4 1/2" double entry wheel, 3 3/8" width	BSM302042	RD-5-10346-0P	73R7130

73R7130 RD-5-10346-0P

4 3/4" diameter, 3 3/8" width
3/16" bore diameter
Hub inset: 1 1/4"
CW Rotation
Plastic



CLUTCH ASSEMBLY

4, 4W, 440	2 groove 7" diameter pulley, 12V, 1/2" width, 2" ga, bullet plug	332334, MA 7A	RD-5-4994-0P	75R4502
4, 6, 7000, 8, 8000, 9000	2 groove 5 1/4" diameter, 1/2" width, (132mm), 1 wire plug	6574-6210, 6514-6210	RD-5-5486-0P	75R0202
F, K, L, L2, L3, M, N, R Series	2 groove 7" diameter pulley, 12V, 1/2" width, 2" ga, bullet plug	332334, MA 7A	RD-5-4994-0P	75R4502

75R0202 RD-5-5486-0P

Model SDS (508, 510, 5H14)
Diameter: 5 1/4" / 132mm
Groove: 2
Width: 1/2"
12 Volts
B Distance: 1 9/16" / 40mm



Single wire coil
Bare wire

75R4502 RD-5-4994-0P

Diameter: 7"
Groove: 2
Width: 1/2"
12 Volts
B Dimension: 2"

Single wire coil
Male bullet plug



EVAPORATOR

Challenger 35, Challenger 45, Challenger55	Evaporator for ATC applications	RD-2-3410-0P	RD-2-3410-0P	76R7720
Challenger 35, Challenger 45, Challenger55	Evaporator for standard control units	RD-2-3410-0P	RD-2-3410-0P	76R7720

76R7720 RD-2-3410-0P

8 7/64" high x 23 7/16" long x 3 13/32" wide



OFF-ROAD APPLICATIONS

Model	Description	OEM Part No.	Factory No.	Part No.
-------	-------------	--------------	-------------	----------

AGCO, AGCO-ALLIS

EXPANSION VALVE/BLOCK

6260, 6680, 6690	Block valve with female O-Ring fittings	71307202-3	RD-5-6868-1P	71R8301
7110, 7120	Block valve with female O-Ring fittings	4322165-4	RD-5-6868-1P	71R8301
8630	Block valve with female O-Ring fittings	4322165-4	RD-5-6868-1P	71R8301
9130, 9150, 9170, 9190, 9435, 9445, 9455, 9630, 9650, 9670, 9690	Block valve with female O-Ring fittings	4322165-4	RD-5-6868-1P	71R8301
9800, 9815	Block valve with female O-Ring fittings	3901517M1	RD-5-7015-1P	71R8321
F, G, K, M, M2, M3, MH2, N, R Series	Block valve with female O-Ring fittings	71307202-3	RD-5-6868-1P	71R8301

71R8301 RD-5-6868-0P

Inlet: #6 (3/8") Female O-Ring
 Outlet: #10 (5/8") Female O-Ring
 Evaporator Fittings
 In: #8 (1/2") Female O-Ring
 Out: #8 (1/2") Female O-Ring
 Superheat Rating: 5°F
 Pressure Limit: 80 psig @40°F



71R8321 RD-5-7015-0P

High Capacity (2 Ton)
 Inlet: #6 (3/8") Female "O" Ring
 Outlet: #10 (5/8") Female O-Ring
 Evaporator Fittings
 In: #8 (1/2") Female O-Ring
 Out: #10 (5/8") Female O-Ring
 Superheat Rating: 8°F
 Pressure Limit: 53.5 psig @75°F



EXPANSION VALVE / EXTERNAL EQUALIZER

305	Male O-Ring with 13" capillary length, 13" equalizer tube length	71504287-5	RD-5-3824-1P	71R8100
7000, 7020, 7030, 7040, 7045, 7050, 7060, 7080, 7085, 7580	Male O-Ring with 13" capillary length, 13" equalizer tube length	0268470-2	RD-5-3824-1P	71R8100
7580	Male O-Ring with 13" capillary length, 13" equalizer tube length	71504287-5	RD-5-3824-1P	71R8100
7580	Male O-Ring, 1 1/2 Ton, 10" capillary length, 10" equalizer tube length	3380223M1	RD-5-5862-0P	71R8080
8010, 8030, 8050, 8070, 8550	Male O-Ring with 13" capillary length, 13" equalizer tube length	71504287-5	RD-5-3824-1P	71R8100

71R8080 RD-5-5862-0P

External Equalizer
 Inlet: #6 (1/2") Male O-Ring
 Outlet: #8 (1/2") Male O-Ring
 Equalizer Tube
 Length: 10"
 Nut: 1/4" Male O-Ring
 Capillary Tube Length: 10"
 Rating: 1 1/2 Ton



71R8100 RD-5-3824-1P

External Equalizer
 Inlet: #6 (1/2") Male O-Ring
 Outlet: #8 (1/2") Male O-Ring
 Equalizer Tube
 Length: 13"
 Nut: 1/4" Female O-Ring
 Capillary Tube Length: 13"
 Rating: 1 1/2 Ton



EXPANSION VALVE / ORFICE TUBE

Challenger 35, Challenger 45, Challenger 55	Main unit, Red orifice tube, length 3.46", OD .425", orifice .075"	RD-5-9082-0	RD-5-9564-0P	71R8505
Challenger 35, Challenger 45, Challenger 55	Main unit, Red orifice tube, length 3.46", OD .425", orifice .075"	RD-5-9082-0	RD-5-9564-0P	71R8505

71R8505 RD-5-9564-1P

Red - Length: 3.46", O.D.: .425", Orifice: .062"



HEATER CORE

Challenger 35, Challenger 45, Challenger 55	Heater for ATC applications	RD-1-1614-0P	RD-1-1614-0P	76R4300
Challenger 35, Challenger 45, Challenger 55	Heater for standard control units	RD-1-1975-0P	RD-1-1975-0P	76R4305

76R4300 RD-1-1614-0P

8" high x 23²⁹/₆₄" long x 2 1/8" wide



76R4305 RD-1-1975-0P

8" high x 23²⁹/₆₄" long x 1 1/2" wide



Model	Description	OEM Part No.	Factory No.	Part No.
-------	-------------	--------------	-------------	----------

AGCO, AGCO-ALLIS

RECEIVER DRIER

6060, 6070, 6080, 7020, 7030, 7040, 7045, 7050, 7060, 7080, 7580	In Line drier with #6 Female to Male O-Ring, 4" x 8"	0264644-6	RD-5-8862-1P	74R0401
8010, 8030, 8050, 8070, 8550	In Line drier with #6 Female to Male O-Ring, 4" x 8"	70268464	RD-5-8862-1P	74R0401
8360, 8425	with #6 Male O-Ring, 2 3/4" X 9 5/8"	RDH RD5 5571 0	RD-5-5571-0P	74R1806
8745, 8765, 8775, 8785	Male O-ring Type with Switch Port and HPRV	338332M2	RD-5-11533-0P	74R3107
9735, 9745, 9755, 9765, 9775, 9785	Male O-ring Type with Switch Port and HPRV	338332M2	RD-5-11533-0P	74R3107
Challenger 35, Challenger 45, Challenger 55	Drier for standard control units	RD-5-9440-0P	RD-5-9440-1P	74R3071
Challenger 35, Challenger 45, Challenger 55	Drier for ATC applications	RD-5-9440-0P	RD-5-9440-1P	74R3071
DT225	Male & Male O-Ring HPRV, MI IN CAP	A22-28796-000	RD-5-11192-0P	74R2608
F, F2, F3, K, K2, L, L2, L3, M, M2, M3, MH2, N, N5, N6, N7, R5, R6, R7	with #6 Male Flare (top and side), 4" X 6 3/4"	1162927	RD-5-6077-1P	74R4017
N, N5, N6, N7	with #6 Male Flare (top and side), 4" X 6 3/4"	1162927	RD-5-6077-1P	74R4017
R5, R6, R9	with #6 Male Flare (top and side), 4" X 6 3/4"	71193543	RD-5-6077-1P	74R4017

74R0401 RD-5-8862-1P
4" diameter x 7 7/8" long
#6 Female O-Ring - #6 Male O-Ring
Dual Sight Glass



74R1806 RD-5-5571-0P
2 3/4" diameter x 10" long
#6 Male O-Ring Schrader Port
High Capacity
Pressure Relief
Top Port



74R2608 RD-5-11192-0P
3" diameter x 8 3/8" long
#6 Male O-Ring
High Capacity
Fuse



74R3071 RD-5-9440-1P
3" diameter x 9 3/4" long
#6 Male O-Ring In
#6 High Capacity
Female O-Ring Out
Pressure Relief Valve
Side Port



74R3107 RD-5-11533-0P
Includes Moisture Indicator
3" diameter x 9 1/4" long
#6 Male O-Ring
High Capacity
Pressure Relief
Top Port
1/4" Schrader Valve



74R4017 RD-5-6077-1P
4" diameter x 6 3/4" long
#6 Male Flare (Top and side)
Fuse
IHC/Novistar 539049-R91



RESISTOR, FAN

Challenger 35, Challenger 45, Challenger 55	Fan speed resistor for standard control units	RD-5-8923-0P	RD-5-8923-0P	71R1465
---	---	--------------	--------------	----------------

71R1465 RD-5-8923-0P
4 Terminals (1/4" blade) / 3 Speeds
Bakelite base: .10" thick



THERMOSTATIC SWITCH

Challenger 35, Challenger 45, Challenger 55	Thermostat for standard control units, fixed setting with 24" capillary tube, flange/side mt.	RD-5-4531-24P	RD-5-4531-24P	71R3200
---	---	---------------	---------------	----------------

71R3200 RD-5-4531-24P
Mounting hole spacing: 2 1/4"
Capillary Length: 24"
Type: Fixed (side mount)
Temp. Range: 31°- 39°F
Clutch Cycle Range: 8°F



OFF-ROAD APPLICATIONS

Model	Description	OEM Part No.	Factory No.	Part No.
-------	-------------	--------------	-------------	----------

ALLIS-CHALMERS

BLOWER MOTOR

All model series with Allis Chalmers OE#0578041, 0578041-6	All with 3" diameter blower motor, 1 speed, NV, CCW, 3 5/8" length	0578041 0578041-6	RD-5-4550-0P	73R0102
All model series with Allis Chalmers OE#1175326	All with 3 1/4" diameter blower motor, 1 speed, 4" length, 12V, Rev. direction	1175326	RD-5-10390-0P	73R0212
All model series with Allis Chalmers OE#1175327, 1175327-4	OE style blower motor (only), 1 speed, 3 3/4" length, 12V non-vented	1175327 1175327-4	RD-5-10391-0P	73R0092
All model series with 1 1/8" shaft, Allis Chalmers OE#1183560	Bergstrom - Kysor A/C, single shaft, 1 1/8" shaft length, NV, 12V, 1 speed, CW, 4 5/8" length	1183560	RD-5-5230-0P	73R0522
All model series with Allis Chalmers OE#1192657	OE style blower motor (only), 1 speed, 3 3/4" length, 12V non-vented	1192657	RD-5-10391-0P	73R0092
Combines, all series with 1 3/4" shaft, single shaft motor, OE#1183560, 275130	Bergstrom - Kysor A/C, single shaft, 1 3/4" shaft length, 12V, 1 speed, CW, 4 5/8" length	1183560 BSM205620 275130	RD-5-10905-0P	73R0442
Combines, with double shaft style motor, OE#275152	Double shaft blower motor (only), 1 speed, 4 3/4" length, 12V vented	275152	RD-5-6801-0P	73R4182
Tractor 8000, 8500 with 1 3/4" shaft, Allis Chalmers OE#275130	Bergstrom - Kysor A/C, single shaft, 12V, 1 speed, CW, 4 5/8" length	275130	RD-5-10905-0P	73R0442

73R0092 RD-5-10391-0P



Single Speed
12 Volt
Rotates Either Direction
Stud Mounted, Span 2 5/8"
Dimensions: 3 3/4" x 2 3/8" x 3"
Shaft: 1/4" diameter, Length: 1 1/2"
Non Vented
Connector: Two conductor, 14 gauge
Supplied with 3/8" adapter

73R0102 RD-5-4550-0P



Single Speed
12 Volt
Rotates Counter Clockwise
Field Wound Motor
Stud Mounted, Span 2 5/8"
Dimensions: 3 5/8" x 2 3/4" x 3"
Shaft: 5/16" diameter, Length: 1 3/4"
Non Vented
Connector: One conductor, 14 gauge

73R0212 RD-5-10390-0P



Single Speed
12 Volt
Rotates Either Direction
Stud Mounted, Span 2 5/8"
Dimensions: 4" x 3 3/8" x 3"
Shaft: 5/16" diameter, Length: 1 1/2"
Non Vented
Connector: Two conductor, 14 gauge

73R0442 RD-5-10905-0P



Single Speed
12 Volt
Rotates CW
Permanent Magnet Motor
Stud Mounted, Span 2 5/8"
Dimensions: 4 5/8" x 4 1/4" x 3"
Shaft: 5/16" diameter, Length: 1 3/4"
Vented
Connector: Two conductor Packard 3/4" blade terminal #2973781

73R0522 RD-5-5230-0P



Single Speed
12 Volt
Rotates Clockwise
Permanent Magnet Motor
Strap / Stud Mounted, Span 2 5/16"
Dimensions: 4 1/8" x 4 7/8" x 3"
Shaft: 7/16" diameter, Length: 1 1/4"
Non Vented

73R4182 RD-5-6801-0P



Single Speed
12 Volt
Permanent Magnet Motor
Strap / Stud Mounted, Span 2 5/8"
Dimensions: 4 3/4" x 4" x 3"
Shafts: 5/16" diameter, length: 2 5/8"
Vented
Connector: 1/4" spade receptacle

CLUTCH ASSEMBLY

CCI/York - R12 / 134A compressors OE#024-25078, MA6, MAE6AR	2 groove 6" diameter pulley, 1/2" width, 1 5/8" ga, bullet plug	024-25078 MA6 MAE6AR	RD-5-4967-0P	75R0452
CCI/York - R12 / 134A compressors OE#024 25190, 03-1104973, 501939	2 groove 6" diameter pulley, 1/2" width, 1 5/8" ga, weatherpak plug	024 25190 03-1104973 501939	RD-5-4972-1P	75R1202
CCI/York - R12 / 134A compressors OE#2084050-0	2 groove 7" diameter pulley, 12V, 1/2" width, 2" ga, bullet plug	2084050-0	RD-5-4994-0P	75R4502

75R0452 RD-5-4967-0P



Diameter: 6"
Groove: 2
Width: 1/2"
12 Volts
B Dimension: 1 5/8"
Single wire coil
Male bullet plug

75R1202 RD-5-4972-1P



OE #501939, MAE-6AR
Diameter: 6"
Groove: 2
Width: 1/2"
12 Volts
B Dimension: 1 5/8"
Single wire coil with diode
Weatherpak plug

75R4502 RD-5-4994-0P



Diameter: 7"
Groove: 2
Width: 1/2"
12 Volts
B Dimension: 2"
Single wire coil
Male bullet plug

Model	Description	OEM Part No.	Factory No.	Part No.
-------	-------------	--------------	-------------	----------

ALLIS-CHALMERS

COMPRESSOR - CCI / YORK / TECUMSEH

CCI/York - Tube O-Ring compressor ET210L-25150, R12 / 134a without clutch	Tube O-Ring type head, Super HD-universal, without charge ports with ester oil	ET210L-25150	RD-5-8061-1P	75R7295
---	--	--------------	--------------	----------------

75R7295 RD-5-8061-1P



COMPRESSOR - GM

GM A6 compressor with Superheat switch port, without oil	1 groove 1/2" width, 4 7/8" diameter (124mm), generic	0259362-2 1131243 509170-C91	RD-5-5000-0P	75R8102
--	---	------------------------------------	--------------	----------------

75R8102 RD-5-5000-0P

GMC A6R, Generic Superheat switch port
5" Single Groove Clutch 12 volt
Pulley with 1/2" - 3/4" variable groove R-12 / R134a
Standard thread mounting holes Clockwise rotation
No Oil



COMPRESSOR - SANDEN

All series with Sanden 5H14, #6664 R134a compressors, 12V	5H14, FL head, ear mount, 2A groove, 5 1/4" (132mm) diameter	6664	RD-5-7088-0P	75R8382
Sanden 5H14, #6665 R134a compressors, 24V	5H14-HD, FL head, 2A groove, 5 1/4" (132mm) diameter	6665	RD-5-7089-0P	75R8384

75R8382 RD-5-7088-0P
Model: 7H15 Head: JD Voltage: 12
Mount: Ear Sanden: 4509, 4510, 6664
Clutch: 5 1/4" (132mm) A2 Groove **R134a**



75R8384 RD-5-7089-0P
Model: 7H15 Head: JD Voltage: 24
Mount: Ear
Sanden: 4506, 4507, 6627, 6665, 4271
Clutch: 5 1/4" (132mm) A2 Groove **R134a**



EXPANSION VALVE / BLOCK

All combine and tractor model series with OE#04322165-4	Block valve for female O-Ring fittings	04322165-4 RD 4157 0	RD-5-6868-1P	71R8301
All combine and tractor model series with OE#329-413	Block valve, Hi - capacity (2 ton)	329-413	RD-5-7015-1P	71R8321
All combine and tractor model series with OE#72162195	Block valve for female O-Ring fittings	72162195	RD-5-6868-1P	71R8301

71R8301 RD-5-6868-0P

Inlet: #6 (3/8") Female O-Ring
Outlet: #10 (5/8") Female O-Ring
Evaporator Fittings
In: #8 (1/2") Female O-Ring
Out: #8 (1/2") Female O-Ring
Superheat Rating: 5°F
Pressure Limit: 80 psig @40°F



71R8321 RD-5-7015-0P

High Capacity (2 Ton)
Inlet: #6 (3/8") Female "O" Ring
Outlet: #10 (5/8") Female O-Ring
Evaporator Fittings
In: #8 (1/2") Female O-Ring
Out: #10 (5/8") Female O-Ring
Superheat Rating: 8°F
Pressure Limit: 53.5 psig @75°F



OFF-ROAD APPLICATIONS

Model	Description	OEM Part No.	Factory No.	Part No.
-------	-------------	--------------	-------------	----------

ALLIS-CHALMERS

EXPANSION VALVE / EXTERNAL EQUALIZER

All combine and tractor model series with OE#826-003	External Equalizer with O-Ring style valve	826-003	RD-5-5862-0P	71R8080
All combine and tractor model series with OE#826-062	External Equalizer with male O-Ring with 13" cap length	826-062	RD-5-3824-1P	71R8100
All combine and tractor model series with OE#31134-300	External Equalizer unit with male flare with 18" capillary length	31134-300 RD 4126 1	RD-4126-1P	71R8050

71R8050 RD-4126-1P

External Equalizer
Inlet: #6 (1/4") Male Flare
Outlet: #8 (1/2") Male Flare
 Equalizer Tube
Length: 18"
Nut: 1/4" Female Flare
Capillary Tube Length: 18"
Rating: 1 1/2 Ton



71R8080 RD-5-5862-0P

External Equalizer
Inlet: #6 (1/4") Male O-Ring
Outlet: #8 (1/2") Male O-Ring
 Equalizer Tube
Length: 10"
Nut: 1/4" Male O-Ring
Capillary Tube Length: 10"
Rating: 1 1/2 Ton



71R8100 RD-5-3824-1P

External Equalizer
Inlet: #6 (1/4") Male O-Ring
Outlet: #8 (1/2") Male O-Ring
 Equalizer Tube
Length: 13"
Nut: 1/4" Female O-Ring
Capillary Tube Length: 13"
Rating: 1 1/2 Ton



EXPANSION VALVE / INTERNAL EQUALIZER

All combine and tractor model series with OE#826-004	Internal equalizer valve with male O-Ring fittings	826-004	RD-5-11033-0P	71R8060
All combine and tractor model series with OE#1162473-1	Internal equalizer, 1 1/2 Ton, Male O-Ring	1162473-1	RD-5-10445-0P	71R8220

71R8060 RD-5-11033-0P

Internal Equalizer
Inlet: #6 (1/4") Male O-Ring
Outlet: #8 (1/2") Male O-Ring
Capillary Tube Length: 12"
Rating: 1 1/2 Ton



71R8220 RD-5-10445-0P

Internal Equalizer LS
Inlet: #6 (1/4") Male O-Ring
Outlet: #8 (1/2") Male O-Ring
Capillary Tube Length: 12"
Rating: 1 1/2 Ton



RECEIVER DRIER

All combine and tractor model series with OE#085098-00	Male O-Ring with fuse plug, side port, top glass	085098-00	RD-5-4950-1P	74R0907
All combine and tractor model series with OE#088423-00	Hi Cap #6 Male O-Ring with schrader, pressure relief, 3" x 6 1/4"	088423-00	RD-5-7061-7P	74R2537
All combine and tractor model series with OE#268464-02	In Line drier with #6 Female to Male O-Ring, 4" x 8"	268464-02	RD-5-8862-1P	74R0401
All combine and tractor model series with OE#72161835-3	Male & Male O-Ring with Fuse Plug, Low Pressure Switch	72161835-3	RD-4160-1P	74R2106
All combine and tractor model series with OE#1143539, 1162927	with #6 Male Flare (top and side), 4" X 6 3/4"	1143539 1162927	RD-5-6077-1P	74R4017

74R0401 RD-5-8862-1P

4" diameter x 7 7/8" long
 #6 Female O-Ring - #6 Male O-Ring
 Dual Sight Glass



74R0907 RD-5-4950-1P

2 1/2" diameter x 8" long
 #6 Male O-Ring
 Fuse
 Side Port



74R2106 RD-4160-1P

Includes Low Pressure Switch
 2 1/4" diameter x 10" long
 #6 Male O-Ring
 High Capacity
 Low Pressure /
 Pressure Relief
 Side Port



74R2537 RD-5-7061-7P

3" diameter x 6 1/4" long
 #6 Male O-Ring
 (Schrader Port)
 High Capacity
 Pressure Relief
 Side Port



74R4017 RD-5-6077-1P

4" diameter x 6 3/4" long
 #6 Male Flare (Top and side)
 Fuse
 IHC/Novistar 539049-R91



ALLIS-CHALMERS

Model	Description	OEM Part No.	Factory No.	Part No.
-------	-------------	--------------	-------------	----------

ALLIS-CHALMERS

THERMOSTATIC SWITCH


All combine and tractor model series with OE#1162472	Rotary thermostat with 48" capillary tube, 34 - 52°F	1162472	RD-4125-48P	71R2300
All combine and tractor model series with OE#1162474-9	Rotary thermostat, 36" capillary tube, 34 - 52°F	1162474-9	RD-4125-36P	71R2250
All combine and tractor model series with OE#404145	Fixed Setting thermostat with 24" capillary tube, flange mt.	404145	RD-4427-24P	71R3100

71R2250 **RD-4125-36P**




Capillary Length: 36"
Type: Variable
Temp. Range: 34° - 52°F
Clutch Cycle Range: 5°F

71R2300 **RD-4125-48P**



Capillary Length: 48"
Type: Variable
Temp. Range: 34° - 52°F
Clutch Cycle Range: 5°F

71R3100 **RD-4-4272-4P**



Mounting hole spacing: 2 1/8"
Capillary Length: 24"
Type: Fixed
Temp. Range: 34° - 38°F
Clutch Cycle Range: 5°F

OFF-ROAD APPLICATIONS

Model	Description	OEM Part No.	Factory No.	Part No.
-------	-------------	--------------	-------------	----------

CASE

BLOWER MOTOR

All model series with Case OE#A42567	Kysor A/C, double shaft motor, 1 speed, 4 7/8" length	A42567	RD-5-10068-0P	73R4322
All model series with Case OE#A42599, F89388	All with 3" diameter blower motor, 1 speed, NV, CCW, 3 5/8" length	A42599 F89388	RD-5-4550-0P	73R0102
Backhoe 480F	Single speed, non vented, 12V, Reversible, 3 3/4" length	2807-508-043	RD-5-10391-0P	73R0092
Backhoe / Loader / Tractors 777, 963LGP, 980B	Single shaft motor, 24V, CCW, NV, 1" slinger, 1 speed, 5" length x 4" x 3" diameter	2G0409 8P9982 9G0393 9G0397 9G8693 9G8697	RD-5-6071-0P	73R0364
Tractors 766, 1066, 1466, 1566 - condenser blower motor	Kysor/Evans (condenser blower), non vented, 12V, 1 speed, CW, 4 7/8" length	539047-R2	RD-5-3690-1P	73R0532
Tractors 1468, 1568 - condenser blower motor	Kysor/Evans (condenser blower), non vented, 12V, 1 speed, CW, 4 7/8" length	117783-C1	RD-5-3690-1P	73R0532
Tractor 4166 - condenser blower motor	Kysor/Evans (condenser blower), non vented, 12V, 1 speed, CW, 4 7/8" length	66390-C1	RD-5-3690-1P	73R0532
Tractors 8910, 8920, 8930, 8940, 8950 - blower motor	Kysor A/C, double shaft motor, 1 speed, 4 7/8" length	80430411	RD-5-10068-0P	73R4322
Tractors 8910, 8920, 8930, 8940, 8950 - condenser blower motor	Kysor/Evans (condenser blower), non vented, 12V, 1 speed, CW, 4 7/8" length	80417384	RD-5-3690-1P	73R0532
Tractors Hydro 100 - condenser blower motor	Kysor/Evans (condenser blower), non vented, 12V, 1 speed, CW, 4 7/8" length	539047-R2	RD-5-3690-1P	73R0532

73R0092 RD-5-10391-0P

Single Speed
12 Volt
Rotates Either Direction
Stud Mounted, Span 2 5/8"
Dimensions: 3 3/4" x 2 3/8" x 3"
Shaft: 1/4" diameter, Length: 1 1/2"
Non Vented
Connector: Two conductor, 14 gauge
Supplied with 3/16" adapter



73R0102 RD-5-4550-0P

Single Speed
12 Volt
Rotates Counter Clockwise
Field Wound Motor
Stud Mounted, Span 2 5/16"
Dimensions: 3 5/8" x 2 3/4" x 3"
Shaft: 7/16" diameter, Length: 1 1/4"
Non Vented
Connector: One conductor, 14 gauge



73R0364 RD-5-6071-0P

Single Speed
24 Volt
Rotates Counter Clockwise
Permanent Magnet Motor
Stud Mounted, Span 2 5/16"
Dimensions: x 5" x 4" x 3"
Shaft: 7/16" diameter, Length: 1"
Non Vented, 1" diameter slinger



73R0532 RD-5-3690-1P

Single Speed
12 Volt
Rotates Clockwise
Permanent Magnet Motor
Strap / Stud Mounted, Span 2 5/16"
Dimensions: 4 7/8" x 4" x 3"
Shaft: 7/16" diameter, Length: 1"
Non Vented
Connector: Two conductor with ring terminal



73R4322 RD-5-10068-0P

Single Speed
12 Volt
Permanent Magnet Motor
Stud Mounted, Span 2 5/8"
Dimensions: 4 7/8" x 4 1/2" x 3"
Shafts: 3/16" diameter, length: 2 1/2"
Vented
Connector: Two conductor 3/4" spade receptacle



BLOWER SWITCH

Combines 715, 815, 915, 1620, 1640, 1660, 1680, 1688	Rotary switch, 3 speed, DP3T, 4 position, 5 terminal	168822C1-C2	RD-5-10934-0P	71R1163
Tractors 90 series, Super D, 580, 870, 970, 1070, 1175, 1270, 1370, 1570	Rotary switch, 3 speed, DP3T, 4 position, 5 terminal	168822C1-C2	RD-5-10934-0P	71R1163
Tractors 90 series with resistor	Rotary switch, 3 speed, DP3T, 4 position, 5 terminal	RD-5-5194-0P	RD-5-5194-0P	71R1210

71R1163 RD-5-10934-0P

3 speed
DP3T
4-position
5 terminals
25 amps



Mounting hole: .442" x .385" - "D" hole

71R1210 RD-5-5194-0P

3 Speed with Resistor -
DP3T,
4-position,
5 terminals
18 amps
Uses Knob
71R4050
Mounting hole: .500"



Model	Description	OEM Part No.	Factory No.	Part No.
-------	-------------	--------------	-------------	----------

CASE

CLUTCH ASSEMBLY

CCI/York - R12 / 134A compressors, OE#003-3938	2 groove 6" diameter pulley, 1/2" width, 2 1/4" ga	003-3938	RD-5-10367-0P	75R0422
CCI/York - R12 / 134A compressors, OE#003-4530	2 groove 7" diameter pulley, 12V, 1/2" width, 2" ga, bullet plug	003-4530	RD-5-4994-0P	75R4502
Fits Sanden SD7H15HD R134a compressor, OE #6504-6310	2 groove 1/2" width, 5 1/4" diameter (132mm)	6504-6310	RD-5-10379-0P	75R1542
Fits Sanden SD508, 510, 514 R-12 compressors, OE#6514-6210	2 groove 5 1/4" (132mm) diameter pulley, 1/2" width, 1 wire	6514-6210	RD-5-5486-0P	75R0202

75R0202 RD-5-5486-0P

Model SDS (508, 510, 5H14)
Diameter: 5 1/4" / 132mm
Groove: 2
Width: 1/2"
12 Volts
B Distance: 1 9/16" / 40mm



Single wire coil
Bare wire

75R0422 RD-5-10367-0P

Diameter: 6"
Groove: 2
Width: 1/2"
12 Volts
B Dimension: 2 1/4"



Single wire coil
Female Weatherpak (IHC) plug

75R1542 RD-5-10369-0P

OE # 6504-6010
Model 709 / 7H15
Diameter: 5 1/4" / 132mm
Groove: 2
Width: 1/2"
12 Volts
B Distance: 1 9/16" / 40mm



Double wire coil
Ford OE plug

75R4502 RD-5-4994-0P

Diameter: 7"
Groove: 2
Width: 1/2"
12 Volts
B Dimension: 2"



Single wire coil
Male bullet plug

COMPRESSOR - CCI / YORK / TECUMSEH

Combines with CCI / York Tecumseh Tube-0 ET210L-25428	Tube O-Ring type head, Super HD-universal, without charge ports with ester oil	ET210L-25428	RD-5-8061-1P	75R7295
---	--	--------------	--------------	----------------

75R7295 RD-5-8061-1P




COMPRESSOR - GM

Tractors AGRI-King 770, 870, 970, 1070, 1270, 1370 with GM A6 with Superheat switch port, without oil	1 groove 1/2" width, 4 7/8" diameter (124mm), generic	1131243 12301930 31 509170-C91	RD-5-5000-0P	75R8102
Tractors AGRI-King 770, 870, 970, 1070, 1270, 1370 with GM A6 with Superheat switch port, without oil	1 groove 1/2" width, 4 7/8" diameter (124mm), generic	1131243 12301930 31 509170-C91	RD-5-5000-0P	75R8102
Tractors 4490, 4690, 4890 with GM A6 with Superheat switch port, without oil	1 groove 1/2" width, 4 7/8" diameter (124mm), generic	1131243 12301930 31 509170-C91	RD-5-5000-0P	75R8102

75R8102 RD-5-5000-0P

GMC A6R, Generic Superheat switch port
5" Single Groove Clutch 12 volt
Pulley with 1/2" - 3/4" variable groove R-12 / R134a
Standard thread mounting holes Clockwise rotation
No Oil



OFF-ROAD APPLICATIONS

Model	Description	OEM Part No.	Factory No.	Part No.
CASE				
COMPRESSOR - SANDEN				
All series with 12V Sanden 7H15HD, OE #4609. Case OE#1999755C3, 86993462	7H15, MD head, ear mount 2 groove, 6" (152mm) diameter	4609 1999755C3 86993462	RD-5-10259-0P	75R84112
All series with 24V Sanden 7H15HD, OE #4611. Case OE#1999760C2, 86983967	7H15, MD head, ear mount 2 groove, 6" (152mm) diameter	4611 1999760C2 86993967	RD-5-11161-0P	75R84114
All series with 12V Sanden 7H15HD, OE #4768. Case OE#317008A3, 86993463	7H15, MD head, direct mount poly 8, 6" (152mm) diameter	4768 317008A3 86993463	RD-5-11200-0P	75R84592
All series with 24V Sanden 7H15HD, OE #4795. Case OE#352524A2, 86983968	7H15, MD head, direct mount poly 8, 6" (152mm) diameter	4795 352524A2 86983968	RD-5-11234-0P	75R81104
All series with Sanden 5H14, #6664 R134a compressors, 12V	5H14, FL head, ear mount, 2A groove, 5 1/4" (132mm) diameter	6664	RD-5-7088-0P	75R8382
All series with Sanden 5H14, #6665 R134a compressors, 24V	5H14-HD, FL head, 2A groove, 5 1/4" (132mm) diameter	6665	RD-5-7089-0P	75R8384
All series with Sanden 510-HD, OE #8353, 9103	510-HD, B head, ear mount 2 groove, 5 1/4" (132mm) diameter	8353 9103	RD-5-6164-0P	75R8262
All series with Sanden 508HD, OE #9285, 9515	SD508HD, FG head, 2A groove, 5 1/4" (132mm) diameter	9285 9515	RD-5-5575-0P	75R8292
All series with Sanden 510-HD, #9674, 24V, R12 with Mineral Oil and Charging Ports	SD510HD, FG head, 2A groove, 5 1/4" (132mm) diameter	9674	RD-5-5626-0P	75R8214
All series with Sanden SD510, #9675 R-12 compressor with charge ports, mineral oil	SD510HD, FG head, variable groove, 6 1/4" (158mm) diameter	9675	RD-5-5627-0P	75R8232
Backhoe / Loader 580, 580K, L, M, 580 Super M, Turbo, 590, 590 Super M	7H15, MD head, ear mount 2 groove, 6" (152mm) diameter	4609	RD-5-10259-0P	75R84112
Combines 521, 525, 527 with Sanden 7H15, OE #4709, 7862, 8023	7H15, KG head, ear mount, 2A groove, 4.9" (125mm) diameter	4709 7862 8023	RD-5-11200-0P	75R84592
Combines 695, 795, 895, 995 with Sanden 5H14, OE#4513, 6631, 9264	5H14, M head, ear mount, 2A groove, 5 1/4" (132mm) diameter	4513 6631 9264	RD-5-11315-0P	75R81462
Combines 2144, 2166, 2188 with Sanden 7H15HD, OE #4609	7H15, MD head, ear mount 2 groove, 6" (152mm) diameter	4609	RD-5-10259-0P	75R84112
Combines 2344, 2366, 2388 with Sanden 7H15HD, OE #4609	7H15, MD head, ear mount 2 groove, 6" (152mm) diameter	4609	RD-5-10259-0P	75R84112
Cotton Pickers 1822, 1844, 2555 with Sanden 7H15HD, OE #4609	7H15, MD head, ear mount 2 groove, 6" (152mm) diameter	4609	RD-5-10259-0P	75R84112
Tractors C, CX series with Sanden 7H15HD, OE #4609	7H15, MD head, ear mount 2 groove, 6" (152mm) diameter	4609	RD-5-10259-0P	75R84112
Tractors JX 55-95, MXM 120-190 with Sanden 7H15, OE #4660	7H15, JDA head, ear mount, poly 8, 4 3/4" (119mm) diameter	4660	RD-5-11322-0P	75R81482
Tractors JX 55-95, MXM 120-190 with Sanden 7H15, OE #4711, 8103	7H15, JD head, ear mount, poly 8 groove, 4.7" (119 mm) diameter	4711 8103	RD-5-9251-0P	75R8462
Tractors Magnum/MX 7100, 7200, 8900 series with Sanden 7H15HD, OE #4609	7H15, MD head, ear mount 2 groove, 6" (152mm) diameter	4609	RD-5-10259-0P	75R84112
Tractors Quad-Trac 9200, 9230, 9380 series with Sanden 7H15HD, OE #4609	7H15, MD head, ear mount 2 groove, 6" (152mm) diameter	4609	RD-5-10259-0P	75R84112
Tractors 90 series with Sanden 510-HD, OE #8353, 9103	510-HD, B head, ear mount 2 groove, 5 1/4" (132mm) diameter	8353 9103	RD-5-6164-0P	75R8262
Tractors 90 series with Sanden 508HD, OE #9285, 9515	SD508HD, FG head, 2A groove, 5 1/4" (132mm) diameter	9285 9515	RD-5-5575-0P	75R8292
Tractors 91 Steiger series - with Sanden 510HD, OE #8478, 9119	SD510HD, C head, ear mount, variable groove 6 1/4" diameter (158mm)	8478 9119	RD-5-5200-0P	75R8222

CASE

COMPRESSORS CONTINUED ON NEXT PAGE

Model	Description	OEM Part No.	Factory No.	Part No.
-------	-------------	--------------	-------------	----------

CASE

COMPRESSOR - SANDEN

Tractors 500, 600 Series with Sanden 5H14, OE#4513, 6631, 9264	5H14, M head, ear mount, 2A groove, 5 1/4" (132mm) diameter	4513 6631 9264	RD-5-11315-0P	75R81462
Tractors 8900 series with Sanden 7H15HD, OE #4609	7H15, MD head, ear mount 2 groove, 6" (152mm) diameter	4609	RD-5-10259-0P	75R84112
Wheel Loader 621DXT with 24V Sanden 7H15HD, OE #4611. Case OE#1999760C2, 86983967	7H15, MD head, ear mount 2 groove, 6" (152mm) diameter	4611 1999760C2 86993967	RD-5-11161-0P	75R84114
Windrowers 6500, 8820, 8830, 8840, 8850, 8860, 8870 7H15, MD head, ear mount 2 groove, series with Sanden 7H15HD, OE #4609	7H15, MD head, ear mount 2 groove, 6" (152mm) diameter	4609	RD-5-10259-0P	75R84112

75R81104	RD-5-11234-0P
Model: 7H15SHD Head: MD Voltage: 24	
Mount: Direct Sanden: 4300, 4795	
Clutch: 6" (152mm) Poly 8	R134a



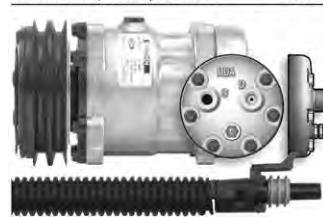
75R84112	RD-5-10259-0P
Model: 7H15SHD Head: MD Voltage: 12	
Mount: Ear Sanden: 4478, 4609	
Clutch: 6" (152mm) A2 Groove - Sealed	R-134a



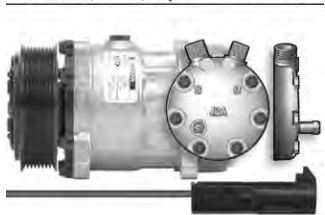
75R84114	RD-5-11161-0P
Model: 7H15SHD Head: MD Voltage: 24	
Mount: Ear Sanden: 4611	
Clutch: 6" (152mm) A2 Groove - Sealed	R-134a



75R81462	RD-5-11315-0P
Model: SD7H15 Head: MDA Voltage: 12	
Mount: Ear Sanden: 4646	
Clutch: 5 1/4" (132mm) A2 Groove	R-134a



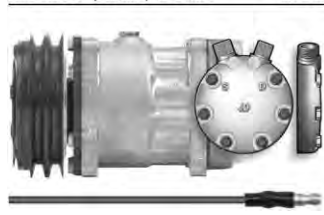
75R81482	RD-5-11322-0P
Model: 7H15HD Head: JDA Voltage: 12	
Mount: Ear Sanden: 4660	
Clutch: 4 3/4" (119mm) Poly 8	R134a



75R82142	RD-5-10493-0P
Model: 5H09 Head: K Voltage: 12	
Mount: Ear Sanden: 5077	
Clutch: 4.9" (125mm) A2 Groove	R-134a



75R8382	RD-5-7088-0P
Model: 7H15 Head: JD Voltage: 12	
Mount: Ear Sanden: 4509, 4510, 6664	
Clutch: 5 1/4" (132mm) A2 Groove	R134a



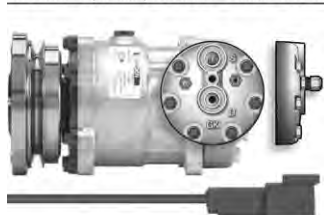
75R8384	RD-5-7089-0P
Model: 7H15 Head: JD Voltage: 24	
Mount: Ear	
Sanden: 4506, 4507, 6627, 6665, 4271	
Clutch: 5 1/4" (132mm) A2 Groove	R134a



75R8462	RD-5-9251-0P
Model: 7H15 Head: JD Voltage: 12	
Mount: Ear Sanden: 4711, 8103	
Clutch: 4.7" (119mm) Poly 8	R134a



75R84592	RD-5-11220-0P
Model: 7H15SHD Head: GK Voltage: 12	
Mount: Ear Sanden: 4608, 4657, 8108	
Clutch: 5 1/2" (138mm) A1 Groove - Sealed	R134a



OFF-ROAD APPLICATIONS

Model	Description	OEM Part No.	Factory No.	Part No.
-------	-------------	--------------	-------------	----------

CASE

COMPRESSOR - ICE SELTEC

All series with ICE/Seltec TM21HD # 488-47244 - R134a Compressor with PAG OIL	TM21HD, J head, direct mount, poly 8, 5 1/2" (141mm) diameter	488-47244	RD-5-12530-1P	75R86142Q
---	---	-----------	---------------	------------------

75R86142Q RD-5-12530-1P
Model: QP-21HD **Head:** J **Voltage:** 12V
Mount: Direct **ICE:** 2521562 **Seltec:** 435-67256, 488-47244
Clutch: 5 1/2" (141mm) Poly 8 **R134a**



ELECTRICAL SWITCH

All series using clutch cycling switch with OE#70500C2	Rotary thermostat, 27" capillary, 34°-52°F, clutch cycle range 5°F	70500C2	RD-4172-0P	71R2310
All series using clutch cycling switch with OE#L73646	Rotary thermostat with 36" capillary tube	L73646	RD-4125-36P	71R2250
All Series using clutch cycling switch with OE#1259617-7	Rotary thermostat with 48" capillary tube, 34 - 52°F	301305-C91	RD-4125-48P	71R2300

71R2250 RD-4125-36P
 Capillary Length: 36"
 Type: Variable
 Temp. Range: 34°- 52°F
 Clutch Cycle Range: 5°F



71R2300 RD-4125-48P
 Capillary Length: 48"
 Type: Variable
 Temp. Range: 34°- 52°F
 Clutch Cycle Range: 5°F



71R2310 RD-4172-0P
 Capillary Length: 27"
 Type: Variable
 Temp. Range: 34°- 52°F
 Clutch Cycle Range: 5°F



EXPANSION VALVE / BLOCK

All Series using OE#118321C1	Block valve, 1 1/2 ton with female O-Ring fittings	118321C1	RD-5-6868-1P	71R8301
All Series using OE#60-5880T1	Block valve, 1 1/2 ton with female O-Ring fittings	60-5880T1	RD-5-6868-1P	71R8301
All Series using OE#1990756C1, C2	Block valve, Hi - capacity (2 ton), O-Ring fittings	1990756C1-C2	RD-5-7015-1P	71R8321
Backhoe / Loader 580, 580K, L, M, 580 Super M, Turbo, 590, 590 Super M	Block valve, Hi - capacity (2 ton), O-Ring fittings	RD-5-9513-0	RD-5-9513-0P	71R8380
Combines 1620, 1640, 1644, 1660, 1666, 1680, 1688 series	Block valve, Hi - capacity (2 ton), O-Ring fittings	1990756C2	RD-5-7015-1P	71R8321
Combines 2166, 2188, 2344 Axial, 2366 Axial, 2555 series	Block valve, Hi - capacity (2 ton), O-Ring fittings	1990756C2	RD-5-7015-1P	71R8321
Sprayers SP2000, SP2500, SP3000 series	Block valve, Hi - capacity (2 ton), O-Ring fittings	1990756C2	RD-5-7015-1P	71R8321
Tractors C, CX series	Block valve, Hi - capacity (2 ton), O-Ring fittings	1990756C2	RD-5-7015-1P	71R8321
Tractors Magnum, MX series - 5100, 5200, 7100, 7200	Block valve, Hi - capacity (2 ton), O-Ring fittings	1990756C2	RD-5-7015-1P	71R8321
Tractors Quad-Trac series - 9380	Block valve, Hi - capacity (2 ton), O-Ring fittings	1990756C2	RD-5-7015-1P	71R8321
Tractors 3088, 3288, 3388, 3488, 3588, 3688, 3788 series	Block valve, 1 1/2 ton with female O-Ring fittings	118321C1	RD-5-6868-1P	71R8301
Tractors 5088, 5288, 5488 series	Block valve, 1 1/2 ton with female O-Ring fittings	118321C1	RD-5-6868-1P	71R8301
Tractors 5120, 5130, 5140, 5220, 5230, 5240 series	Block valve, Hi - capacity (2 ton), O-Ring fittings	1990756C2	RD-5-7015-1P	71R8321
Tractors 6388, 6588, 6788 series	Block valve, 1 1/2 ton with female O-Ring fittings	118321C1	RD-5-6868-1P	71R8301
Tractors 7110, 7120, 7130, 7140, 7150, 7210, 7220, 7230, 7240, 7250 series	Block valve, Hi - capacity (2 ton), O-Ring fittings	1990756C2	RD-5-7015-1P	71R8321
Tractors 7288, 7488 Series	Block valve, 1 1/2 ton with female O-Ring fittings	118321C1	RD-5-6868-1P	71R8301
Tractors 8910, 8920, 8930, 8940, 8950 series	Block valve, Hi - capacity (2 ton), O-Ring fittings	1990756C2	RD-5-7015-1P	71R8321
Tractors 9110, 9130, 9150, 9170, 9180, 9190 Series	Block valve, 1 1/2 ton with female O-Ring fittings	118321C1	RD-5-6868-1P	71R8301
Tractors 9210, 9230, 9240, 9250, 9260, 9270, 9280, 9310, 9330, 9350, 9370, 9380 series	Block valve, Hi - capacity (2 ton), O-Ring fittings	1990756C2	RD-5-7015-1P	71R8321

EXPANSION VALVES CONTINUED ON NEXT PAGE

Model	Description	OEM Part No.	Factory No.	Part No.
-------	-------------	--------------	-------------	----------

CASE

EXPANSION VALVE / BLOCK

71R8301	RD-5-6868-0P	71R8321	RD-5-7015-0P	71R8380	RD-5-9513-0P	71R8321	RD-5-7015-0P
Inlet: #6 (3/8") Female O-Ring Outlet: #10 (5/8") Female O-Ring Evaporator Fittings In: #8 (1/2") Female O-Ring Out: #8 (1/2") Female O-Ring Superheat Rating: 5°F Pressure Limit: 80 psig @40°F		High Capacity (2 Ton) Inlet: #6 (3/8") Female "O" Ring Outlet: #10 (5/8") Female O-Ring Evaporator Fittings In: #8 (1/2") Female O-Ring Out: #10 (5/8") Female O-Ring Superheat Rating: 8°F Pressure Limit: 53.5 psig @75°F		Anti-trumpeting (2 Ton) Inlet: #6 (3/8") Female O-Ring Outlet: #10 (5/8") Female O-Ring Evaporator Fittings In: #8 (1/2") Female O-Ring Out: #10 (5/8") Female O-Ring Superheat Rating: 8°F Pressure Limit: 53.5 psig @75°F		High Capacity (2 Ton) Inlet: #6 (3/8") Female "O" Ring Outlet: #10 (5/8") Female O-Ring Evaporator Fittings In: #8 (1/2") Female O-Ring Out: #10 (5/8") Female O-Ring Superheat Rating: 8°F Pressure Limit: 53.5 psig @75°F	



EXPANSION VALVE / EXTERNAL EQUALIZER

All Series using OE#A42625, RD-5-5862-0, 469475-C1, 826-081	External equalizer with male O-Ring with 10" capillary length	A42625 RD-5-5862-0 469475-C1 826-081	RD-5-5862-0P	71R8080
All Series using OE#128033C1, C2	External equalizer with male O-Ring with 13" capillary length	1280333C2	RD-5-3824-1P	71R8100
Combines 1420, 1440, 1460, 1480 series	External equalizer with male O-Ring with 13" capillary length	1280333C2	RD-5-3824-1P	71R8100
Tractors 500, 600 Series	External equalizer with male O-Ring with 10" capillary length	A42625 RD-5-5862-0 469475-C1	RD-5-5862-0P	71R8080
Tractors 695, 795, 895, 995 series	External equalizer with male O-Ring with 13" capillary length	1280333C2	RD-5-3824-1P	71R8100
Tractors 790, 1070, 1270, 1370, 1570 Series	External equalizer with male O-Ring with 10" capillary length	A42625 RD-5-5862-0 469475-C1	RD-5-5862-0P	71R8080
Windrowers 4000, 5000, 5500 series	External equalizer with male O-Ring with 13" capillary length	1280333C2	RD-5-3824-1P	71R8100

71R8080	RD-5-5862-0P	71R8100	RD-5-3824-1P
External Equalizer Inlet: #6 (3/8") Male O-Ring Outlet: #8 (1/2") Male O-Ring Equalizer Tube Length: 10" Nut: 1/2" Male O-Ring Capillary Tube Length: 10" Rating: 1 1/2 Ton		External Equalizer Inlet: #6 (3/8") Male O-Ring Outlet: #8 (1/2") Male O-Ring Equalizer Tube Length: 13" Nut: 1/2" Female O-Ring Capillary Tube Length: 13" Rating: 1 1/2 Ton	

EXPANSION VALVE / INTERNAL EQUALIZER

All Series using OE#168903C1, C91	Internal equalizer with male flare with 9" capillary length, flare fittings	168903C1-C91	RD-5-6099-0P	71R8210
All Series using OE#826-004	Internal equalizer valve with male O-Ring fittings	826-004	RD-5-10445-0P	71R8220
Combines 615, 715, 815, 915 series	Internal equalizer with male flare with 9" capillary length, flare fittings	168903C1	RD-5-6099-0P	71R8210
Tractors 766, 786, 886, 966, 986, 1066, 1086, 1466, 1486, 1566, 1586 series	Internal equalizer with male flare with 9" capillary length, flare fittings	20179C1	RD-5-6099-0P	71R8210
Tractors 4166, 4186, 4366, 4386, 4586, 4786 series	Internal equalizer with male flare with 9" capillary length, flare fittings	20179C1	RD-5-6099-0P	71R8210
Windrowers 4000, 5000, 5500 series	Internal equalizer with male flare with 9" capillary length, flare fittings	168903C1	RD-5-6099-0P	71R8210

71R8210	RD-5-6099-0P	71R8220	RD-5-10445-0P
Internal Equalizer Inlet: #6 (3/8") Male Flare Outlet: #8 (1/2") Male Flare Capillary Tube Length: 9" Rating: 1 1/2 Ton		Internal Equalizer LS Inlet: #6 (3/8") Male O-Ring Outlet: #8 (1/2") Male O-Ring Capillary Tube Length: 12" Rating: 1 1/2 Ton	

OFF-ROAD APPLICATIONS

Model	Description	OEM Part No.	Factory No.	Part No.
-------	-------------	--------------	-------------	----------

CASE

PRESSURE SWITCH

All series using high pressure switch, OE#111266C1	High Pressure Switch, normally closed 210psi, opens 340 psi, 1/4" female flare	111266C1	RD-5-5873-0P	71R6070
All series using high pressure switch, OE#92038C1	High Pressure Switch, normally open 250psi, close 375 psi, 1/4" female flare	92038C1	RD-5-8289-0P	71R6230
All series using low pressure switch, receiver drier mounting (O-Ring seal) , OE#A47717	Low pressure cut out switch, 3/8"-24, norm. open, closes 27 psig	A47717	RD-4191-0P	71R6050

71R6050 RD-4191-0P

3/8"-24-UNF-2A male threads O-Ring Normally open - closes at 27 PSIG



71R6070 RD-5-5873-0P

Type: High Side Fitting / Connector: 1/4" female flare Normally Closed - Closes at 210 PSI - Opens at 340 PSI



71R6230 RD-5-8289-0P

Type: High Side Fitting / Connector: 1/4" female flare / two-conductor Packard male/female Normally Open - Closes at 375 PSI - Opens at 250 PSI



RECEIVER DRIER

All series with OE#085098-00	Male O-Ring with fuse plug, side port, top glass	A22-14425-001	RD-5-4950-1P	74R0907
All series with OE#088423-00	Hi Cap #6 Male O-Ring with schrader, pressure relief, 3" x 6 1/4"	088423-00	RD-5-7061-7P	74R2537
All series with OE#111218-C1	with #6 Male Flare (top and side), 4" X 6 3/4"	111218-C1	RD-5-6077-1P	74R4017
All Series with OE#118304-C1, 118418-C1	with #6 Male O-Ring (top and side), 4" X 6 3/4"	118304-C1 118418-C1	RD-5-6075-1P	74R4007
All Series with OE#124552-C1	Male & Male O-Ring with Fuse Plug, Low Pressure Switch	124552-C1	RD-4160-1P	74R2106
All series with OE#143469-C2	with #6 Male /Female O-Ring (top and bottom), 4" X 7 3/4"	143469-C2	RD-5-11028-1P	74R4027
All series with OE#1990758-C2	with #6 Male /Female O-Ring (top and bottom), 4" X 7 3/4"	1990758-C2	RD-5-11028-1P	74R4027
All series with OE#539049-R1, R91	with #6 Male Flare (top and side), 4" X 6 3/4"	539049-R1 R91	RD-5-6077-1P	74R4017
All series with OE#572832-R91	with #6 Male Flare (top and side), 4" X 6 3/4"	572832-R91	RD-5-6077-1P	74R4017
Backhoe / Loader 580, 580K, L, M, 580 Super M, Turbo, 590, 590 Super M	with #6 Male /Female O-Ring (top and bottom), 4" X 7 3/4"	1990758-C2	RD-5-11028-1P	74R4027
Combines 521, 525, 527 series	with #6 Male flare, 3" X 6 1/4"	RD-5-4954-0 088011-00 926384-C1	RD-5-4954-0P	74R2406
Combines 1460, 1480 series	with #6 Male Flare (top and side), 4" X 6 3/4"	111218-C1 539049-R1 R91	RD-5-6077-1P	74R4017
Combines 1620, 1640, 1644, 1660, 1666, 1680, 1688 series	with #6 Male /Female O-Ring (top and bottom), 4" X 7 3/4"	1990758-C2	RD-5-11028-1P	74R4027
Combines 2166, 2188, 2344, 2366, 2388, 2555 series	with #6 Male /Female O-Ring (top and bottom), 4" X 7 3/4"	1990758-C2	RD-5-11028-1P	74R4027
Cotton Pickers 1822, 1844, 2555 series	with #6 Male /Female O-Ring (top and bottom), 4" X 7 3/4"	1990758-C2	RD-5-11028-1P	74R4027
Tractors AGRI-King 770, 870, 970, 1070, 1270, 1370 series	Male & Male O-Ring with Fuse Plug, Low Pressure Switch	A61688 A76312	RD-4160-1P	74R2106
Tractors C, CX series	with #6 Male /Female O-Ring (top and bottom), 4" X 7 3/4"	1990758-C2	RD-5-11028-1P	74R4027
Tractors Hydro 100, 186 series	with #6 Male Flare (top and side), 4" X 6 3/4"	111218-C1 539049-R1 R91	RD-5-6077-1P	74R4017
Tractors Magnum, MX 180, 200, 220, 240, 270, 5120, 5130, 5140, 7110, 7120, 7130, 7140, 7200, 8900 series	with #6 Male /Female O-Ring (top and bottom), 4" X 7 3/4"	1990758-C2	RD-5-11028-1P	74R4027

RECEIVER DRIERS CONTINUED ON NEXT PAGE

Model	Description	OEM Part No.	Factory No.	Part No.
-------	-------------	--------------	-------------	----------

CASE

RECEIVER DRIER

Tractors Quad-Trac 9380 series	with #6 Male /Female O-Ring (top and bottom), 4" X 7 3/4"	1990758-C2	RD-5-11028-1P	74R4027
Tractors Traction King 1470, 1570, 2470, 2670, 2870 series	Male & Male O-Ring with Fuse Plug, Low Pressure Switch	A76312	RD-4160-1P	74R2106
Tractors 1466, 1468, 1566, 1568 series	with #6 Male Flare (top and side), 4" X 6 3/4"	111218-C1 539049-R1 R91	RD-5-6077-1P	74R4017
Tractors 1570, 1896 series	Male & Male O-Ring with Fuse Plug, Low Pressure Switch	A76312	RD-4160-1P	74R2106
Tractors 2090, 2096, 2290, 2294, 2390, 2394, 2470, 2590, 2594, 2670, 2870 series	Male & Male O-Ring with Fuse Plug, Low Pressure Switch	A76312	RD-4160-1P	74R2106
Tractors 3088, 3288, 3294, 3388, 3394, 3488, 3588, 3594, 3688, 3788 series	Male & Male O-Ring with Fuse Plug, Low Pressure Switch	A76312	RD-4160-1P	74R2106
Tractors 4166, 4366, 4386, 4586, 4786 series	with #6 Male Flare (top and side), 4" X 6 3/4"	111218-C1 539049-R1 R91	RD-5-6077-1P	74R4017
Tractors 4386, 4586, 4786 series	with #6 Male /Female O-Ring (top and bottom), 4" X 7 3/4"	143464-C2 143469-C2	RD-5-11028-1P	74R4027
Tractors 4490, 4494, 4690, 4694, 4890, 4894, 4994 series	Male & Male O-Ring with Fuse Plug, Low Pressure Switch	A76312	RD-4160-1P	74R2106
Tractors 5088, 5120, 5130, 5140, 5220, 5230, 5240, 5288, 5488 series	with #6 Male /Female O-Ring (top and bottom), 4" X 7 3/4"	143464-C2 143469-C2 1990758-C2	RD-5-11028-1P	74R4027
Tractors 6388, 6588, 6788 series	with #6 Male /Female O-Ring (top and bottom), 4" X 7 3/4"	1990758-C2	RD-5-11028-1P	74R4027
Tractors 7110, 7120, 7130, 7140, 7150, 7288, 7488 series	with #6 Male /Female O-Ring (top and bottom), 4" X 7 3/4"	1990758-C2	RD-5-11028-1P	74R4027
Tractors 8910, 8920, 8930, 8940, 8950 series	with #6 Male /Female O-Ring (top and bottom), 4" X 7 3/4"	1990758-C2	RD-5-11028-1P	74R4027
Tractors 9110, 9130, 9150, 9170, 9180 series	Male O-ring Type with Switch Port and HPRV	088214-00 088214-03	RD-5-11533-0P	74R3107
Tractors 9210, 9230, 9240, 9250, 9260, 9270 series before serial no. JEE0031849	Male O-ring Type with Switch Port and HPRV	088214-00 088214-03	RD-5-11533-0P	74R3107
Tractors 9210, 9230, 9240, 9250, 9260, 9270 series after no. serial JEE0031850	with #6 Male /Female O-Ring (top and bottom), 4" X 7 3/4"	1990758-C2	RD-5-11028-1P	74R4027
Tractors 9310, 9330, 9350, 9370, 9380 series	with #6 Male /Female O-Ring (top and bottom), 4" X 7 3/4"	1990758-C2	RD-5-11028-1P	74R4027
Windrowers 4000, 5000, 8820, 8830, 8840, 8850 series	with #6 Male /Female O-Ring (top and bottom), 4" X 7 3/4"	1990758-C2	RD-5-11028-1P	74R4027

74R0907 RD-5-4950-1P
2 1/2" diameter x 8" long
#6 Male O-Ring
Fuse
Side Port



74R2106 RD-4160-1P
Includes Low Pressure Switch
2 3/4" diameter x 10" long
#6 Male O-Ring
High Capacity
Low Pressure /
Pressure Relief
Side Port



74R2537 RD-5-7061-7P
3" diameter x 6 1/4" long
#6 Male O-Ring
(Schraeder Port)
High Capacity
Pressure Relief
Side Port



74R4007 RD-5-6075-1P
4" diameter x 6 1/2" long
#6 Male O-Ring (Top & Side)
Fuse
Side Glass



74R4017 RD-5-6077-1P
4" diameter x 6 3/4" long
#6 Male Flare (Top and side)
Fuse
IHC/Novistar 539049-R91



74R4027 RD-5-11028-1P
Includes Moisture Indicator
4" diameter x 7 3/4" long
#6 Female O-Ring Out;
#6 Male O-Ring In



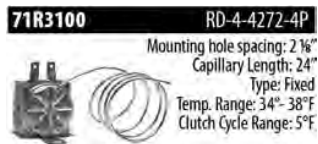
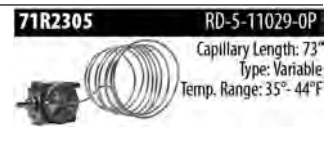
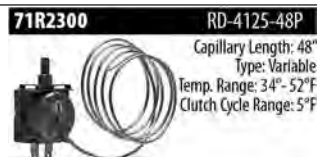
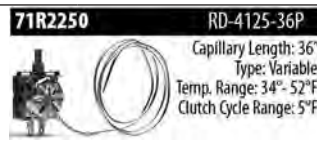
OFF-ROAD APPLICATIONS

Model	Description	OEM Part No.	Factory No.	Part No.
-------	-------------	--------------	-------------	----------

CASE

THERMOSTATIC SWITCH

All Series with OE#A42623	Rotary thermostat with 18" capillary tube, 28 - 62°F	A42623	RD-5-4909-0P	71R2100
All Series with OE#109268-C2	Rotary thermostat with 48" capillary tube, 34 - 52°F	109268-C1-C2	RD-4125-48P	71R2300
All Series with OE#1162474-9	Rotary thermostat with 36" capillary tube, 34 - 52°F	1162474-9	RD-4125-36P	71R2250
All Series using clutch cycling switch with OE#1259617-7	Rotary thermostat with 48" capillary tube, 34 - 52°F	1259617-7	RD-4125-48P	71R2300
All Series with OE#175575C-1	Rotary thermostat with 48" capillary tube, 34 - 52°F	175575C-1	RD-4125-48P	71R2300
All Series with OE#301395-C91	Rotary thermostat with 48" capillary tube, 34 - 52°F	301395-C91	RD-4125-48P	71R2300
All Series with OE#404145	Fixed Setting thermostat with 24" capillary tube, flange mt.	404145	RD-4427-24P	71R3100
All Series with OE#70500-C2	Rotary thermostat with 18" capillary tube, 28 - 62°F	70500-C2	RD-5-4909-0P	71R2100
Backhoe / Loader 580, 580K, L, M, 580 Super M, Turbo, 590, 590 Super M	Rotary thermostat with 18" capillary tube, 35 - 44°F	RD-5-11029-0	RD-5-11029-0P	71R2305



CASE

Model	Description	OEM Part No.	Factory No.	Part No.
-------	-------------	--------------	-------------	----------

CATERPILLAR

BLOWER - FAN

Telehandler TH26, 63, 82, 83, 103 Series with Red Dot model R-10170-0, puller fan OE#RD-5-8641-0	Pancake fan assembly, (puller) 12V	RD-5-8641-0	RD-5-8641-0P	RD-5-8641-0P
Telehandler TH26, 63, 82, 83, 103 Series with Red Dot model R-10170-1, puller fan OE#RD-5-8641-1	Pancake fan assembly, (puller) 24V	RD-5-8641-1	RD-5-8641-1P	RD-5-8641-1P

BLOWER - FAN RESISTOR

Skid Steer, A series Tier I & II, with Red Dot model R-6500, R-6500-1	Blower Resistor, Red Dot A/C units, 3 terminal, 3 speed	RD-5-3647-0	RD-5-3647-0P	71R1450
Skid Steer, B series Tier II, with Red Dot model R-295-0, R-9750	Blower Resistor, Red Dot A/C units. Used on RD-5-8837-0P Blower Assembly	RD-5-9447-0	RD-5-9447-0P	71R1403
Large Haul Truck 793, 797 series for Red Dot models	Ceramic tube style resistor, 4 terminal, 12V, 6 1/2" length x 1 3/8" diam	RD-5-8665-0	RD-5-8665-0P	71R1485
Small Tract Type Tractor D3, D4, D5 with Red Dot unit R-9789-0, -1	Ceramic style resistor	RD-5-10028-0	RD-5-10028-0P	RD-5-10028-0P

71R1450 RD-5-3647-0P
3 Terminals (3/4" blade) / 3 Speeds
Bakelite base: 2 1/4" x 1 1/2" x .10" thick - Height: 1"



71R1485 RD-5-8665-0P
4 Terminals (1/2" blade) / Variable Speed 12 volt, 2.36 ohm, Length: 6 1/2", Diameter: 1 3/8", Ceramic (black wrapped)
JD Crawler Dozer 650H



BLOWER MOTOR

D series models with 24V evaporator motor	Single shaft motor, 24V, CCW, NV, 1" slinger, 1 speed, 5" length x 4" x 3" diameter	2G0409 8P9982 9G0397 RD-5-6071-0	RD-5-6071-0P	73R0364
Large Haul Truck 777 series with Red Dot model R-3800-5 with 24V evaporator motor	Single shaft motor, 24V, CCW, NV, 1" slinger, 1 speed, 5" length x 4" x 3" diameter	2G0409 8P9982 9G0397 RD-5-6071-0	RD-5-6071-0P	73R0364
Large Haul Truck 793, 797 series with Red Dot model R-9785-0 with 24V evaporator motor	Double shaft motor, 24V, NV, 1 speed, 5 3/4" length	RD-5-10054-0P	RD-5-10054-0P	73R4274
Loader 963LGP, 980B with 24V evaporator motor	Single shaft motor, 24V, CCW, NV, 1" slinger, 1 speed, 5" length x 4" x 3" diameter	2G0409 8P9982 9G0397 RD-5-6071-0	RD-5-6071-0P	73R0364
Motor Grader 24H with Red Dot model R-9790-0, OE#3E-6392	Double shaft motor, 24V, NV, 1 speed, slinger, 5" length, 3 1/4" shafts	3E-6392	RD-5-8375-0P	RD-5-8375-0P
Skid Steer with Red Dot R-10500, R-10500-1 model evaporator	Blower assembly with resistor, 12V, 13 3/4" x 5 3/8" x 5 1/8"	RD-5-8583-0	RD-5-8583-0P	73R5552
Skid Steer, A series Tier 1 & 2, with Red Dot model R-6500, R-6500-1	Blower assembly, 12V, 12 1/4" x 3 3/8" x 4 1/2"	RD-5-8837-1	RD-5-8837-1P	73R5642
Skid Steer, B series Tier 2, with Red Dot model R-6501	2RD570M Unit with Heater A/C, 12V blower motor assy	RD 5 8837 0	RD-5-8837-0P	73R5532
Small Tract Type Tractor D3, D4, D5 with Red Dot unit R-9789-0, -1	Blower Assembly, mixed flow for standard control units	RD-3-8783-0P	RD-3-8783-0P	RD-3-8783-0P
Telehandler TH26, 63, 82, 83, 103 Series with Red Dot model R-10170-0, evaporator motor OE#2809-541-001	Double shaft motor, 1 speed, 4 3/4" length	RD-5-10068-0 2809-541-001	RD-5-10068-0P	73R4322
Track Type Tractor D6H, D6HLP, D7H, D7HLP, D8N, D9L (early & late), D9N, D10, D11N	Single shaft motor, 24V, CCW, NV, 1" slinger, 1 speed, 5" length x 4" x 3" diameter	2G0409 8P9982 9G0393 RD-5-6071-0	RD-5-6071-0P	73R0364
Wheel Tractor-Scraper 673E	Single shaft motor, 24V, CCW, NV, 1" slinger, 1 speed, 5" length x 4" x 3" diameter	2G0409 8P9982 9G0393 RD-5-6071-0	RD-5-6071-0P	73R0364

BLOWER MOTOR CONTINUED ON NEXT PAGE

OFF-ROAD APPLICATIONS

Model	Description	OEM Part No.	Factory No.	Part No.
-------	-------------	--------------	-------------	----------

CATERPILLAR

BLOWER MOTOR

14G, 16G series models with 24V evaporator motor	Single shaft motor, 24V, CCW, NV, 1" slinger, 1 speed, 5" length x 4" x 3" diameter	2G0409 8P9982 9G0397 RD-5-6071-0	RD-5-6071-0P	73R0364
637E, 777, 963LGP series models with 24V evaporator motor	Single shaft motor, 24V, CCW, NV, 1" slinger, 1 speed, 5" length x 4" x 3" diameter	2G0409 8P9982 9G0393 RD-5-6071-0	RD-5-6071-0P	73R0364
906 series models with Red Dot model R-10160-0 evaporator motor	Double shaft motor, 12V, 3 speed, 4" length		RD-5-3780-0P	73R4102
980B series models with 24V evaporator motor	Single shaft motor, 24V, CCW, NV, 1" slinger, 1 speed, 5" length x 4" x 3" diameter	8P9982 9G0393 9G8693 9G8697 RD-5-6071-0	RD-5-6071-0P	73R0364

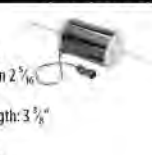
73R0364 RD-5-6071-0P

Single Speed
24 Volt
Rotates Counter Clockwise
Permanent Magnet Motor
Stud Mounted, Span 2 5/16"
Dimensions: 5 5/8" x 4" x 3"
Shaft: 5/16" diameter, Length: 1"
Non Vented, 1" diameter slinger



73R4274 RD-5-10054-0P

Single Speed
24 Volt
Permanent Magnet Motor
Strap / Stud Mounted, Span 2 3/16"
Dimensions: 5 1/2" x 5" x 3"
Shafts: 5/16" diameter, length: 3 5/8"
Non Vented
Connector: Two conductor



73R4322 RD-5-10068-0P

Single Speed
12 Volt
Permanent Magnet Motor
Stud Mounted, Span 2 5/16"
Dimensions: 4 7/8" x 4 1/2" x 3"
Shafts: 3/16" diameter, length: 2 1/2"
Vented
Connector: Two conductor 1/4" spade receptacle



73R5532 RD-5-8837-0P

Three Speed
442 CFM - 12 volt - 12 1/4" x 3 1/8" x 4 1/2"
Replacement Resistor: 71R1403



73R5552 RD-5-8583-0P

Three Speed - 619 CFM
12 volt - 13 3/4" x 5 3/4" x 5 1/4"



73R5642 RD-5-8837-1P

Single Speed - 253 CFM
12 volt - 12 1/4" x 3 1/8" x 4 1/2"



CATERPILLAR

BLOWER SWITCH

325 Series using Red Dot A/C unit R-10004-0, OE#RD-5-3748-0	Toggle switch, SPST, 2 terminal	RD-5-3748-0	RD-5-3748-0P	71R0010
906 series models with Red Dot model R-10160-0 evaporator motor	Sleeper A/C Htr. toggle switch, DPDT, ON-ON-ON	RD-5-0071-0	RD-5-0071-0P	71R0400

71R0010 RD-5-3748-0P

SPST Type
Chrome Toggle
Function: ON - OFF
2 Terminals



71R0400 RD-5-0071-0P

DPDT Type
Chrome Toggle
Function: ON - ON - ON
4 Terminals



Model	Description	OEM Part No.	Factory No.	Part No.
-------	-------------	--------------	-------------	----------

CATERPILLAR

CLUTCH ASSEMBLY

CCI/York - R12 / 134A compressors, Caterpillar OE#003-3938	1 groove ½" width, 6" diameter pulley, 2 ¾" ga., IHC plug	003-3938	RD-5-9665-0P	75R0402
CCI/York - R12 / 134A compressors, Caterpillar OE#8517-6010	2 groove 5 ¼" (132mm) diameter pulley, ½" width, 1 wire	8517-6010	RD-5-5486-0P	75R0202
CCI/York - R12 / 134A compressors, OE#024-21590	2 groove 6" diameter pulley, ½" width, 1 ⅝" ga, weatherpak plug	024 21590 03-1104973 501939	RD-5-4972-1P	75R1202
CCI/York - R12 / 134A compressors, OE#MA6, MAE6AR	2 groove 6" diameter pulley, ½" width, 2 ¼" ga	MA6 MAE6AR	RD-5-10367-0P	75R0422
CCI/York - R12 / 134A compressors, OE#MA7A	2 groove 7" diameter pulley, 12V, ½" width, 2" ga, bullet plug	MA7A	RD-5-4994-0P	75R4502

75R0202 RD-5-5486-0P

Model SDS (508, 510, 5H14)
Diameter: 5 ¼" / 132mm
Groove: 2
Width: ½"
12 Volts
B Distance: 1 ⅞" / 40mm



Single wire coil
Bare wire

75R0402 RD-5-9665-0P

Diameter: 6"
Groove: 1
Width: ½"
12 Volts
B Dimension: 2 ¾"



Single wire coil
Female Weatherpak (IHC) plug

75R0422 RD-5-10367-0P

Diameter: 6"
Groove: 2
Width: ½"
12 Volts
B Dimension: 2 ¼"



Single wire coil
Female Weatherpak (IHC) plug

75R1202 RD-5-4972-1P

OE #501939, MAE-6AR
Diameter: 6"
Groove: 2
Width: ½"
12 Volts
B Dimension: 1 ⅞"



Single wire coil with diode
Weatherpak plug

75R4502 RD-5-4994-0P

Diameter: 7"
Groove: 2
Width: ½"
12 Volts
B Dimension: 2"



Single wire coil
Male bullet plug

COMPRESSOR - GM

All series with GM A6 with Superheat switch port, without oil	1 groove ½" width, 4 ⅞" diameter (124mm), generic	1131243 12301930 31 509170-C91	RD-5-5000-0P	75R8102
---	---	---	--------------	----------------

75R8102 RD-5-5000-0P

GMC A6R, Generic Superheat switch port
5" Single Groove Clutch 12 volt
Pulley with ½" - ¾" variable groove R-12 / R134a
Standard thread mounting holes Clockwise rotation
No Oil



OFF-ROAD APPLICATIONS

CATERPILLAR

Model	Description	OEM Part No.	Factory No.	Part No.
CATERPILLAR				
COMPRESSOR - SANDEN				
Backhoe Loader 416D, 420D, 420D IT, 430D with Sanden 7H15SHD, Sanden OE #4608	7H15SHD, GK head, ear mount, 1A groove, 6" (152mm) diameter	4608	RD-5-11200-0P	75R84592
All series with Sanden SD5H14, Sanden OE #6664	SD5H14, FL head, ear mount, 2 groove 5 1/4" Diameter with verticle O-Ring fitting	8177090 6664	RD-5-7088-0P	75R8382
All series with Sanden SD5H14, Caterpillar OE#72239450	SD5H14, FL head, ear mount, 2 groove 5 1/4" Diameter with verticle O-Ring fitting	72239450 6664	RD-5-7088-0P	75R8382
All series with Sanden 5H14, 24V, R134a compressor, Sanden OE #6665	5H14-HD, FL head, 2A groove, 5 1/4" (132mm) diameter	6665	RD-5-7089-0P	75R8384
All series with Sanden 7H15SHD, 12V, R-12, Sanden OE #4661, Cat OE#114-9484	7H15SHD, KC head, ear mount, 2A groove, 5 1/2" (138mm) diameter	4661 114-9484	RD-5-11324-0P	75R81492
All series with Sanden 7H15SHD, 24V, Sanden OE#4726, Cat OE#114-9676, 218-0234	7H15SHD, GK head, ear mount, poly 8, 5 1/4"(132mm) diameter	4726-Cat OE#114-9676 218-0234	RD-5-10260-0P	75R84594
All series with Sanden 7H15, 24V, Sanden OE#4769, Cat OE#163-0872	7H15, MD head, ear mount, poly 8, 5 1/4"(132mm) diameter	4769-Cat OE#163-0872	RD-5-11161-0P	75R81114
All series with Sanden 7H15, 12V, Sanden OE#4813, Cat OE#178-9570	7H15SHD, KCA head, direct mount, poly 8, 5 1/4"(132mm) diameter	4813-Cat OE#178-9570	RD-5-11260-0P	75R81402
All series with Sanden 7H15, 24V, Sanden OE#4840, Cat OE#183-5106	7H15SHD, GK head, direct mount, poly 8, 6" (152mm) diameter	4840-Cat OE#183-5106	RD-5-11236-0P	75R81134
All series with Sanden 7H15, 24V, Sanden OE#4604, 8107, Cat OE#3E-1906	7H15SHD, GK head, ear, 1A groove, 5 1/2" (138mm) diameter	4604 8107-Cat OE#3E-1906 101-1795 134-3997	RD-5-11240-0P	75R81184
All series with Sanden 7H15, 12V, Sanden OE#4608, 8108, Cat OE#3E-1908	7H15SHD, GK head, ear mount, 1A groove, 6" (152mm) diameter	4608 8108-Cat OE#3E-1907 1908	RD-5-11200-0P	75R84592
All series with Sanden 7H15, 24V, Sanden OE#4640, 8109, Cat OE#106-5122	7H15SHD, GK head, ear mount, 1A groove, 6" (152mm) diameter	4640 8109-Cat OE#106-5122	RD-5-11248-0P	75R81274

75R81114 RD-5-11235-0P
Model: 7H15SHD **Head:** GK **Voltage:** 24
Mount: Direct **Sanden:** 4301, 4769
Clutch: 5 1/4" (133mm) Poly 8 **R134a**



75R81134 RD-5-11236-0P
Model: 7H15SHD **Head:** GK **Voltage:** 24
Mount: Direct **Sanden:** 4302, 4840
Clutch: 6" (152mm) Poly 8 **R134a**



75R81184 RD-5-11240-0P
Model: 7H15SHD **Head:** GK **Voltage:** 24
Mount: Ear **Sanden:** 4468, 4604, 4656, 8107
Clutch: 5 1/2" (138mm) A1 Groove - Sealed **R134a**



75R81274 RD-5-11248-0P
Model: 7H15SHD **Head:** GK **Voltage:** 24
Mount: Ear **Sanden:** 4479, 4640, 4658, 8109
Clutch: 6" (152mm) A1 Groove - Sealed **R134a**



75R81402 RD-5-11260-0P
Model: 7H15SHD **Head:** KCA **Voltage:** 12
Mount: Direct **Sanden:** 4498, 4806, 4813
Clutch: 5 1/4" (132mm) Poly 8 **R134a**



75R81492 RD-5-11324-0P
Model: 7H15SHD **Head:** KC **Voltage:** 12
Mount: Ear **Sanden:** 4480, 4661
Clutch: 5 1/2" (138mm) A1 Groove - Sealed **R134a**



75R84592 RD-5-11220-0P
Model: 7H15SHD **Head:** GK **Voltage:** 12
Mount: Ear **Sanden:** 4608, 4657, 8108
Clutch: 5 1/2" (138mm) A1 Groove - Sealed **R134a**



75R8382 RD-5-7088-0P
Model: 7H15 **Head:** JD **Voltage:** 12
Mount: Ear **Sanden:** 4509, 4510, 6664
Clutch: 5 1/4" (132mm) A2 Groove **R134a**



COMPRESSOR CONTINUED ON NEXT PAGE

Model	Description	OEM Part No.	Factory No.	Part No.
-------	-------------	--------------	-------------	----------

CATERPILLAR

COMPRESSOR - SANDEN

75R8384 RD-5-7089-0P
Model: 7H15 **Head:** JD **Voltage:** 24
Mount: Ear
Sanden: 4506, 4507, 6627, 6665, 4271
Clutch: 5 1/4" (132mm) A2 Groove **R134a**



75R84592 RD-5-11220-0P
Model: 7H15SHD **Head:** GK **Voltage:** 12
Mount: Ear **Sanden:** 4608, 4657, 8108
Clutch: 5 1/2" (138mm) A1 Groove - Sealed **R134a**



75R84594 RD-5-10260-0P
Model: 7H15SHD **Head:** GK **Voltage:** 24
Mount: Ear **Sanden:** 4487, 4726
Clutch: 5 1/4" (133mm) Poly 8 - Sealed **R134a**



COMPRESSOR - ICE SELTEC

All series with ICE/Seltec TM21HD 12V, OE#488-47244 TM21HD, J head, direct mount, poly
 - R134a 8, 5 1/2" (141mm) diameter

488-47244
 435-67256

RD-5-12530-1P

75R86142Q

75R86142Q RD-5-12530-1P
Model: QP-21HD **Head:** J **Voltage:** 12V
Mount: Direct **ICE:** 2521562 **Seltec:** 435-67256, 488-47244
Clutch: 5 1/2" (141mm) Poly 8 **R134a**



OFF-ROAD APPLICATIONS

CATERPILLAR

Model	Description	OEM Part No.	Factory No.	Part No.
-------	-------------	--------------	-------------	----------

CATERPILLAR

CONDENSER

325 models with Red Dot A/C unit R-10004-0	Radiator Mount, Tube & Fin type, 21 1/2" fin width x 26 1/2" x 1 1/4"	RD-4-4968-0	RD-4-4968-0P	77R7100
416E, 420E, 444E	Condenser	353-8584	RD-5-7543-0P	77R8440
826C, 836, 836G, 953C, 955C, 963, 963C, 973C, 996C, D3C, D4C, D5C, D5M, D6M, D6R, D7R	Condenser	216-0804, 216-0805, 9X3439	RD-4-7544-0P	77R8385
906 models with Red Dot A/C unit R-10160-0	Tube & Fin type, 20 7/8" fin width x 12" x 3 1/3"	RD-4-4738-0	RD-4-4738-0P	77R0620
914G, 928G models with Red Dot A/C unit R-10046-0, R-10047-0	Tube & Fin type, Red Dot unit, 23" fin width x 12 1/4" x 1 3/4"	RDH RD4 3724 0	RD-4-3724-0P	77R0650
950B - E, 966, 980A - C models with Red Dot A/C unit R-10044-3, R-10045-0	Tube & Fin type, 23" fin width x 9 1/8" x 3"	RD-4-4069-1	RD-4-4069-1P	77R0110
CT660	Tube & Fin type, 30 1/4" width x 17 1/2"	3853558F92	RD-4-7542-0P	77R8445
IT14G, IT28G models with Red Dot A/C unit R-10046-0, R-10047-0	Radiator Mount, Tube & Fin type, 23" fin width x 12 1/4" x 1 3/4"	RDH RD4 3724 0	RD-4-3724-0P	77R0650
Large Haul Trucks with Red Dot A/C unit R-10235	Grilldenser type, 37" fin width x 32" x 3/4"	RD-4-3683-2	RD-4-3683-2P	77R7900
Skid Steer A and B series with Red Dot R-10500, R-10500-1 model evaporator	Multi Flow type, 18 13/16" fin width x 14" x 3/4"	RD-4-5378-0	RD-4-5378-0P	77R1290
TH26, TH63, TH82, TH83, TH103 with Red Dot R-10170 model evaporator	Tube & Fin type, 26 7/16" fin width x 23 1/4" x 9 1/8"	RD-4-4069-0	RD-4-4069-0P	77R0100

77R0110 RD-4-4069-1P

Tube & Fin Type
Overall Width: 26 1/4"
Fin Width: 23"
Height: 9 1/2"
Thickness: 3"



77R0620 RD-4-4738-0P

Tube & Fin Type
Overall Width: 23 1/2"
Fin Width: 20 7/8"
Height: 12"
Thickness: 3 7/8"



77R0650 RD-4-3724-0P

Tube & Fin Coil Type,
Overall Width: 25"
Fin Width: 23"
Height: 12 1/4"
Thickness: 1 3/4"



77R1290 RD-4-5378-0P

MultiFlow Type
Overall Width: 21 1/4"
Fin Width: 18 13/16"
Height: 14"
Thickness: 1/4"



77R7100 RD-4-4968-0P

Tube & Fin Type
Overall Width: 28 1/16"
- Two Row
Fin Width: 21 1/2"
Height: 26 1/2"
Thickness: 1 1/4"



77R7900 RD-4-3683-2P

Grilldenser Type
Overall Width: 39 1/8"
Fin Width: 37"
Height: 32"
Thickness: 3/4"



EXPANSION VALVE / BLOCK

All Series using OE#3V0251, 3V0258, RD-5-6868-0	Main Unit, 1 1/2 ton Hi - cap, Female O-Ring, 5°F, 80psi@40°F	3V0251 3V0258 RD-5-6868-0	RD-5-6868-1P	71R8301
All Series using OE#98370C3, RD-5-7015-0	Block valve, Hi - capacity (2 ton), O-Ring fittings	98370C3 RD-5-7015-0	RD-5-7015-1P	71R8321
All Series using Red Dot A/C unit R-10004-0, OE#RD-5-10447-0	Red Dot A/C unit R-10004-0, with female O-Ring	RD-5-10447-0	RD-5-10447-0P	71R8405
Challenger 1 35, 45, 55 Series with OE#362.761.0	Block valve, Hi - capacity (2 ton), O-Ring fittings	362.761.0 RD-5-7015-0	RD-5-7015-1P	71R8321
IT14G, IT28G Series using Red Dot A/C unit R-10046-0, R-10047-0, OE#RD-5-6868-0	Block valve with 1 1/2 ton Hi - cap, Female O-Ring, 5°F, 80psi@40°F	RD 4157 0 RD-5-6868-0	RD-5-6868-1P	71R8301
Large Haul Trucks with Red Dot A/C unit R-10235-3, -4	Block valve, Hi - capacity (2 ton), O-Ring fittings	RD-5-7015-0	RD-5-7015-1P	71R8321
Skid Steer A and B series with Red Dot R-10050, R-10050-1 model evaporator	Block valve, Hi - capacity (2 ton), O-Ring fittings	RD-5-7015-0	RD-5-7015-1P	71R8321
TH26, 63, 82, 83, 103 Series using Red Dot A/C unit R-10170-0, OE#RD-5-6868-0	Block valve with 1 1/2 ton Hi - cap, Female O-Ring, 5°F, 80psi@40°F	RD 4157 0 RD-5-6868-0	RD-5-6868-1P	71R8301
325 Series using Red Dot A/C unit R-10004-0, OE#RD-5-10447-0	Red Dot A/C unit R-10004-0, with female O-Ring	RD-5-10447-0	RD-5-10447-0P	71R8405

EXPANSION VALVE CONTINUED ON NEXT PAGE

Model	Description	OEM Part No.	Factory No.	Part No.
-------	-------------	--------------	-------------	----------

CATERPILLAR

EXPANSION VALVE / BLOCK

906 Series using Red Dot A/C unit R-10160-0, OE#RD-5-6868-0	Block valve with 1 1/2 ton Hi - cap, Female O-Ring, 5°F, 80psi@40°F	RD 4157 0 RD-5-6868-0	RD-5-6868-1P	71R8301
914G, 928G Series using Red Dot A/C unit R-10046-0, R-10047-0, OE#RD-5-6868-0	Block valve with 1 1/2 ton Hi - cap, Female O-Ring, 5°F, 80psi@40°F	RD 4157 0 RD-5-6868-0	RD-5-6868-1P	71R8301
950B - E, 966, 980A - C Series using Red Dot A/C unit R-10044-3, OE#RD-5-6868-0	Block valve with 1 1/2 ton Hi - cap, Female O-Ring, 5°F, 80psi@40°F	RD 4157 0 RD-5-6868-0	RD-5-6868-1P	71R8301
950F, 966F Series using Red Dot A/C unit R-10045-0, OE#RD-5-6868-0	Red Dot A/C unit R-10045-0, 1 1/2 ton Hi - cap, Female O-Ring, 5°F, 80psi@40°F	RD 4157 0 RD-5-6868-0	RD-5-6868-1P	71R8301

71R8301 RD-5-6868-0P

Inlet: #6 (3/8") Female O-Ring
Outlet: #10 (5/8") Female O-Ring
Evaporator Fittings
In: #8 (1/2") Female O-Ring
Out: #8 (1/2") Female O-Ring
Superheat Rating: 5°F
Pressure Limit: 80 psig @40°F



71R8321 RD-5-7015-0P

High Capacity (2 Ton)
Inlet: #6 (3/8") Female "O" Ring
Outlet: #10 (5/8") Female O-Ring
Evaporator Fittings
In: #8 (1/2") Female O-Ring
Out: #10 (5/8") Female O-Ring
Superheat Rating: 8°F
Pressure Limit: 53.5 psig @75°F



71R8405 RD-5-10447-0P

With Schrader Port
Inlet: #6 (3/8") Female O-Ring
Outlet: #10 (5/8") Female O-Ring
Evaporator Fittings
In: #8 (1/2") Female O-Ring
Out: #8 (1/2") Female O-Ring
Superheat Rating: 8°F
Pressure Limit: 53.5 psig @75°F



EXPANSION VALVE / EXTERNAL EQUALIZER

All Series with OE#1P6526	Main Unit, all models with #6, #8 male flare fitting, 18" tubes	1P6526	RD-4126-1P	71R8050
All Series with OE#2G0401	Male O-Ring with 13" capillary length, 13" equalizer tube length	2G0401	RD-5-3824-1P	71R8100
All Series with OE#2G0401, 3E9343, RD-5-5862-0	Male O-Ring, 1 1/2 Ton, 10" capillary length, 10" equalizer tube length	2G0401 3E9343 RD-5-5862-0	RD-5-5862-0P	71R8080
Compactor 825B	All models with #6, #8 male flare fitting, 18" tubes	1P6526	RD-4126-1P	71R8050
Loader 955L, 963LGP, 977L, 983B, 988 (late),	Male O-Ring with 13" capillary length, 13" equalizer tube length	2G0401	RD-5-3824-1P	71R8100
Loader 980B, 988B (early), 992C	All models with #6, #8 male flare fitting, 18" tubes	1P6526	RD-4126-1P	71R8050
Motor Grader 14G, 16G	Male O-Ring with 13" capillary length, 13" equalizer tube length	2G0401	RD-5-3824-1P	71R8100
Skid Steer 225 (early) series	All models with #6, #8 male flare fitting, 18" tubes	1P6526	RD-4126-1P	71R8050
Skid Steer 225 (late) series	Male O-Ring with 13" capillary length, 13" equalizer tube length	2G0401	RD-5-3824-1P	71R8100
Track Type Tractor D6H, D6HLGP, D7G, D7H, D7HLGP, D8K (late), D8N, D9N, D10, D11N	Male O-Ring with 13" capillary length, 13" equalizer tube length	2G0401	RD-5-3824-1P	71R8100
Track Type Tractor D8K (early), D9H	All models with #6, #8 male flare fitting, 18" tubes	1P6526	RD-4126-1P	71R8050
Wheel Dozer 824B	All models with #6, #8 male flare fitting, 18" tubes	1P6526	RD-4126-1P	71R8050
Wheel Tractor Scraper 627B	Male O-Ring with 13" capillary length, 13" equalizer tube length	2G0401	RD-5-3824-1P	71R8100

71R8050 RD-4126-1P

External Equalizer
Inlet: #6 (3/8") Male Flare
Outlet: #8 (1/2") Male Flare
Equalizer Tube
Length: 18"
Nut: 1/2" Female Flare
Capillary Tube Length: 18"
Rating: 1 1/2 Ton



71R8080 RD-5-5862-0P

External Equalizer
Inlet: #6 (3/8") Male O-Ring
Outlet: #8 (1/2") Male O-Ring
Equalizer Tube
Length: 10"
Nut: 1/2" Male O-Ring
Capillary Tube Length: 10"
Rating: 1 1/2 Ton



71R8100 RD-5-3824-1P

External Equalizer
Inlet: #6 (3/8") Male O-Ring
Outlet: #8 (1/2") Male O-Ring
Equalizer Tube
Length: 13"
Nut: 1/2" Female O-Ring
Capillary Tube Length: 13"
Rating: 1 1/2 Ton



OFF-ROAD APPLICATIONS

Model	Description	OEM Part No.	Factory No.	Part No.
-------	-------------	--------------	-------------	----------

CATERPILLAR

EXPANSION VALVE / INTERNAL EQUALIZER

All Series with OE#RD-5-11033-0	Internal equalizer, 1 1/2 Ton, Male O-Ring	RD-5-11033-0	RD-5-11033-0P	71R8060
All Series with OE#RD-5-10445-0	Internal equalizer, 1 1/2 Ton, Male O-Ring	RD-5-10445-0	RD-5-10445-0P	71R8220
777 Series Large Haul Trucks, internal equalizer	Internal equalizer with male flare with 9" capillary length, flare fittings	168903C1-C91	RD-5-6099-0P	71R8210

71R8060 RD-5-11033-0P

Internal Equalizer

Inlet: #6 (1/8") Male O-Ring
 Outlet: #8 (1/2") Male O-Ring
 Capillary Tube Length: 12"
 Rating: 1 1/2 Ton



71R8210 RD-5-6099-0P

Internal Equalizer

Inlet: #6 (1/8") Male Flare
 Outlet: #8 (1/2") Male Flare
 Capillary Tube Length: 9"
 Rating: 1 1/2 Ton



71R8220 RD-5-10445-0P

Internal Equalizer **LS**

Inlet: #6 (1/8") Male O-Ring
 Outlet: #8 (1/2") Male O-Ring
 Capillary Tube Length: 12"
 Rating: 1 1/2 Ton



EXPANSION VALVE / ORIFICE TUBE

Backhoe Loader 416D, 420D, 420 ID, 430D	Aux. unit, Brown orifice tube	RD-5-10013-0	RD-5-10013-0P	71R8506
Skid Steer A & B series Tier 2 using Red Dot A/C unit R-6500-1	Aux. unit, Brown orifice tube	RD-5-10013-0	RD-5-10013-0P	71R8506

71R8506 RD-5-10013-1P

Brown - Length: 3.46", O.D.: .429", Orifice: .047"

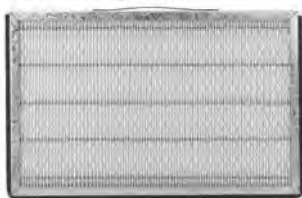


FILTER

5130, 5230 with panel filter, Cat OE#8C4120	Fresh air panel filter for Red Dot Unit R-9785-0, 15 3/4" x 7 7/8" x 2 1/4"	8C4120	RD-5-8668-0P	78R5318
613C, 615C with panel filter, Cat OE#8P5142	Fresh air panel filter, 16 7/8" x 10" x 2 1/4"	8P5142	RD-5-6124-0P	78R5320
Backhoe Loader 416D, 420D, 420D IT, 430D with OE #1707272	Fresh air filter for Red Dot Unit R-3800-5, 15 5/16" x 9 3/4" x 1/2"	1707272	RD-3-9805-0P	78R5243
Large Haul Truck 793, 797	Fresh air filter for Red Dot Unit R-9785-0, 15 3/4" x 7 7/8" x 2 1/4"		RD-5-8668-0P	78R5318
Skid Steer, A Series Tier 1	Fresh air filter for Red Dot Unit R-6500-0, 13 1/2" x 4 9/16" x 3/8"		RD-5-10416-0P	78R5250
Skid Steer, A Series Tier 2	Fresh air filter for Red Dot Unit R-6500-1, 13 1/2" x 4 9/16" x 3/8"		RD-5-10416-0P	78R5250
Skid Steer, B Series Tier II	Recirculating air filter, (filter foam) for Red Dot Unit R-6501-0, 10 3/8" x 3 1/4" x 3/8"		RD-5-10687-0P	78R5313
Skid Steer, B Series Tier II	Fresh air filter for Red Dot Unit R-6501-0, 10 3/8" x 3 3/4" x 1"		RD-3-10847-0P	78R5367

78R5243 RD-3-9805-0P

15 5/16" wide x 9 3/4" high x 1/2" thick



78R5250 RD-5-10416-0P

13 1/2" wide x 4 9/16" high x 3/8" thick



78R5367 RD-3-10847-0P

10 3/8" Wide x 3 3/4" High x 1" Thick



Model	Description	OEM Part No.	Factory No.	Part No.
-------	-------------	--------------	-------------	----------

CATERPILLAR

PRESSURE SWITCH

325 Series, Binary switch for models with Red Dot A/C unit R-10004-0	Binary 7/16"-20 UNF female, Schrader type valve	RD 5 4640 0	RD-5-4640-0P	71R7050
914G, 928G Series using Red Dot A/C unit R-10046-0, R-10047-0, OE#RD 5 4640 0	Binary 7/16"-20 UNF female, Schrader type valve	RD 5 4640 0	RD-5-4640-0P	71R7050
950B - E, 966, 980A - C Series using Red Dot A/C unit R-10044-3, OE#RD-5-8433-0P	Dual function switch (Fujikoki) with 7/16-20, 4 terminal	RD-5-8433-0, A22-36474-000	RD-5-8433-0P	71R7075
950F, 966F Series using Red Dot A/C unit R-10045-0, OE#RD-5-8433-0	Dual function switch (Fujikoki) with 7/16-20, 4 terminal	RD-5-8433-0, A22-36474-000	RD-5-8433-0P	71R7075
Large Haul Trucks with Red Dot A/C unit R-10235-3, -4	Binary 7/16"-20 UNF female, Schrader type valve	RD 5 4640 0	RD-5-4640-0P	71R7050
Skid Steer A and B series with Red Dot R-10050, R-10050-1 model evaporator	Dual function switch (GM), , Open: low 20-33 psi, high 315-355 psi, , Closed: low 23-37 psi, high 215-275 psi	RD-5-9577-0	RD-5-9577-0P	71R6150
TH26, 63, 82, 83, 103 Series using Red Dot A/C unit R-10170-0, OE#RD-5-8433-0P	Dual function switch (Fujikoki) with 7/16-20, 4 terminal	RD-5-8433-0, A22-36474-000	RD-5-8433-0P	71R7075

71R7050 RD-5-4640-0P

7/16"-20 UNF-2B Female Thread for Installation on Male Schrader Type Valve.



71R7075 RD-5-8433-0P

	OPEN	CLOSED
LOW	± 2	28
HIGH	± 28	384

Thread: 7/16"-20 UNF
Orange Fan Switch



71R6150 RD-5-9577-0P

	OPEN	CLOSED
LOW	20-33	23-37
HIGH	315-355	215-275

Thread: M10 x 1.25



RECEIVER DRIER

All Series with in-line drier with quick disconnect, Cat OE#3E3535	In-line, quick disconnect, 2 1/2" x 13 7/8"	3E3535	RD-5-8605-1P	74R0470
All Series with drier, Cat OE#088209-02, 106-5534, 5V5698	#6 Male O-Ring, 4" x 7 3/4", side port, low pressure switch, moisture indicator	088209-02 106-5534 5V5698	RD-5-5955-1P	74R3517
All Series with drier, Cat OE#106-5532, 106-5533, 8T8642, 9W0549	#6 Male O-Ring, 4" x 7 3/4", low pressure switch, moisture indicator	106-5532 106-5533 8T8642 9W0549	RD-5-7564-1P	74R3527
Challenger 1 35, 45, 55 Series with OE#362.761.0	#6 Male O-Ring in, #6 Female O-Ring out, pressure relief, metric ports	362.761.0	RD-5-11196-0P	74R3331
D10N, D16H Series with in-line drier with quick disconnect, Cat OE#3E3535	In-line, quick disconnect, 2 1/2" x 13 7/8"	3E3535	RD-5-8605-1P	74R0470
IT14G, IT28G Series using Red Dot A/C unit R-10046-0, R-10047-0, OE#088273-00	#6 Male O-Ring, 2 1/2" x 7 1/8", 1/4" male side port	088273-00	RD-5-7559-0P	74R1106
TH26, 63, 82, 83, 103 Series using Red Dot A/C unit R-10170-0, OE#088411-01	In-line, #6 Male O-Ring, 2 1/2" x 9 9/16"	088411-01	RD-5-7064-1P	74R0462
Large Haul Trucks with Red Dot A/C unit R-10235-3, -4	#6 Male O-Ring, 2 3/4" x 9 5/8", hi capacity, pressure relief	RD-5-7062-1	RD-5-7062-1P	74R1826
Large Haul Trucks 77 Series with Red Dot A/C	#6 Male O-Ring, 3" x 6 1/4", hi capacity, pressure relief	RD-5-3843-0	RD-5-7272-1P	74R2447
Loader 963LGP Series with Red Dot A/C	#6 Male O-Ring, 3" x 6 1/4", hi capacity, pressure relief	RD-5-3843-0	RD-5-7272-1P	74R2447
Loader 988B (late), 992C series with 4" drier, Cat OE#088209-02, 106-5534, 5V5698	#6 Male O-Ring, 4" x 7 3/4", side port, low pressure switch, moisture indicator	088209-02 106-5534 5V5698	RD-5-5955-1P	74R3517
Motor Grader 14G, 16G Series with Red Dot A/C	#6 Male O-Ring, 3" x 6 1/4", hi capacity, pressure relief	RD-5-3843-0	RD-5-7272-1P	74R2447
Skid Steer A and B series with Red Dot R-10050, R-10050-1 model evaporator	O-Ring Type with Fuse Plug & Charge Port	088193-03	RD-5-9515-1P	74R2677

RECEIVER DRIER CONTINUED ON NEXT PAGE

OFF-ROAD APPLICATIONS

Model	Description	OEM Part No.	Factory No.	Part No.
-------	-------------	--------------	-------------	----------

CATERPILLAR

RECEIVER DRIER

Skid Steer 235 (late), 255 (late) series with drier, Cat OE#088209-02, 106-5534, 5V5698	#6 Male O-Ring, 4" x 7 3/4", side port, low pressure switch, moisture indicator	088209-02 106-5534 5V5698	RD-5-5955-1P	74R3517
Track Type Tractor D7G, D8N, D9L, D9L (early), D9N, D11, D11N Series with drier, Cat OE#088209-02, 106-5534, 406217, 5V5698	#6 Male O-Ring, 4" x 7 3/4", side port, low pressure switch, moisture indicator	088209-02 106-5534 406217 5V5698	RD-5-5955-1P	74R3517
Track Type Tractor D9N Series, Cat OE#106-5532, 106-5533, 8T8642, 9W0549	#6 Male O-Ring, 4" x 7 3/4", low pressure switch, moisture indicator	106-5532 106-5533 8T8642 9W0549	RD-5-7564-1P	74R3527

74R0462 RD-5-7064-1P
2 1/2" diameter x 9 5/8" long
#6 Male O-Ring Inline - High Capacity



74R0470 RD-5-8605-1P
2 1/2" diameter x 13 7/8" long
Quick Disconnect - No Port
With Orifice Tube



74R1106 RD-5-7559-0P
2 1/2" diameter x 7 1/16" long
#6 Male O-Ring
Side Port



74R1826 RD-5-7062-1P
2 3/4" x 10 3/8" long
#6 Male O-Ring
High Capacity
Pressure Relief
Top Port



74R2447 RD-5-7272-1P
Includes Moisture Indicator
3" diameter x 6 1/4" long
#6 Male O-Ring
High Capacity
Pressure Relief
Side Port



74R2677 RD-5-9515-1P
Includes Moisture Indicator
3" diameter x 7 3/4" long
#6 Male O-Ring
(Schrader Port)
High Capacity



74R3331 RD-5-11196-0P
3" diameter x 10" long
#6 Male O-Ring Inlet
#6 Female O-Ring Out
High Capacity
Pressure Relief
Two Top Metric Ports



74R3517 RD-5-5955-1P
Includes Low Pressure Switch & Moisture Indicator
4" diameter x 7 1/2" long
#6 Male O-Ring
Pressure Relief -
Side Port



74R3527 RD-5-7564-1P
Includes Low Pressure Switch & Moisture Indicator
4" diameter x 7 1/8" long
#6 Quick Disconnect
Pressure Relief
No Port



RECEIVER DRIER / ACCUMULATOR

All Series with accumulator, Caterpillar OE#101-8789	Main Unit with Accumulator, female O-Ring, 3 1/2" x 9 1/2"	3E0443 106-1018 101-8789 151-5261	RD-5-10927-0P	74R5061
D10N, D16H Series with accumulator, Cat OE#3E0443, 106-1018, 101-8789, 151-5261	Main Unit with Accumulator, female O-Ring, 3 1/2" x 9 1/2"	3E0443 106-1018 101-8789 151-5261	RD-5-10927-0P	74R5061
914G, 924G, 950F, 950G, 980F, 980G Series accumulator, Cat OE#3E0443, 106-1018, 101-8789, 151-5261	Main Unit with Accumulator, female O-Ring, 3 1/2" x 9 1/2"	3E0443 106-1018 101-8789 151-5261	RD-5-10927-0P	74R5061

74R5061 RD-5-10927-0P
3 1/2" diameter x 9 1/2" long
Inlet: 1 1/16" Female O-Ring
Outlet: 1 1/16" Female O-Ring



Model	Description	OEM Part No.	Factory No.	Part No.
-------	-------------	--------------	-------------	----------

CATERPILLAR


RESISTOR

Skid Steer, A series Tier I & II, with Red Dot model R-6500, R-6500-1	Blower Resistor, Red Dot A/C units, 3 terminal, 3 speed	RD-5-3647-0	RD-5-3647-0P	71R1450
Skid Steer, B series Tier II, with Red Dot model R-295-0, R-9750	Blower Resistor, Red Dot A/C units. Used on RD-5-8837-0P Blower Assembly	RD-5-9447-0	RD-5-9447-0P	71R1403
Large Haul Truck 793, 797 series for Red Dot models	Ceramic tube style resistor, 4 terminal, 12V, 6 1/2" length x 1 3/16" diam	RD-5-8665-0	RD-5-8665-0P	71R1485
Small Tract Type Tractor D3, D4, D5 with Red Dot unit R-9789-0, -1	Ceramic style resistor		RD-5-10028-0P	RD-5-10028-0P

71R1403 RD-5-9447-0P
 3 Speed
 4 Terminals
 12 Amps
Fits
 73R5532



71R1450 RD-5-3647-0P
 3 Terminals (3/4" blade) / 3 Speeds
 Bakelite base: 2 3/4" x 1 1/2" x .10" thick - Height: 1"



71R1485 RD-5-8665-0P
 4 Terminals (1/2" blade) /
 Variable Speed 12 volt, 2.36 ohm,
 Length: 6 1/2",
 Diameter: 1 3/16",
 Ceramic (black wrapped)
 JD Crawler
 Dozer 650H



THERMOSTATIC SWITCH

All series with OE#2G0398	Rotary thermostat with 48" capillary tube, 34 - 52°F	2G398	RD-4125-48P	71R2300
All series with OE#2P4338, 6K9614, 6T9395, 8P5346, 8P5349, 8P5350, 9P3498	Rotary thermostat, 36" capillary tube, 34 - 52°F	2P4338 6K9614 6T9395 8P5346 8P5349 8P5350 9P3498	RD-4125-36P	71R2250
Backhoe Loader 416D, 420D, 420D IT, 430D with OE#RD-5-4531-24	Fixed Setting thermostat with 24" capillary tube, flange/side mt.	RD-5-4531-24	RD-5-4531-24P	71R3200
Compactor 825B with Red Dot A/C, OE#RD-4125-36P	Rotary thermostat with 36" capillary tube, 34 - 52°F, clutch cycle range 5°	RD-4125-36P	RD-4125-36P	71R2250
IT14G, IT28G Series using Red Dot A/C unit R-10046-0, R-10047-0, OE#RD-5-6429-0P	Fixed Setting thermostat with 16" capillary tube, flange mt.	RD-5-6429-0P	RD-5-6429-0P	71R3150
Large Haul Trucks with Red Dot A/C unit R-10235-3, -4, OE#RD-5-6429-0	Fixed Setting thermostat with 16" capillary tube, flange mt.	RD-5-6429-0P	RD-5-6429-0P	71R3150
Large Haul Trucks 777 Series with Red Dot A/C, OE#RD-4226-0P	Cable controlled thermostat, 30" capillary tube, 34 - 54°F	RD-4226-0P	RD-4226-0P	71R2700
Large Haul Trucks 793, 797 with OE#RD-5-8377-0	Fixed Setting thermostat with 33" capillary tube, flange mt., 40 - 85°F	RD-5-8377-0	RD-5-8377-0P	71R3125
Loader 955L, 977L, 983B, 988B (early-late), 992C with Red Dot A/C, OE#RD-4125-36P	Rotary thermostat with 36" capillary tube, 34 - 52°F, clutch cycle range 5°	RD-4125-36P	RD-4125-36P	71R2250
Motor Grader 14G, 16G Series with Red Dot A/C, OE#RD-4226-0P	Cable controlled thermostat, 30" capillary tube, 34 - 54°F	RD-4226-0P	RD-4226-0P	71R2700
Motor Grader 24H, OE#RD-5-8377-0	Fixed Setting thermostat with 33" capillary tube, flange mt., 40 - 85°F	RD-5-8377-0	RD-5-8377-0P	71R3125
Skid Steer A series Tier II with Red Dot A/C unit R-6500, OE#RD-5-10239-0	Thermistor, 12V fits Red Dot A/C unit R-6500	RD-5-10239-0	RD-5-10239-0P	71R3540
Skid Steer A and B, B series II with Red Dot R-10050, R-10050-1 model evaporator, OE#RD-5-4531-24	Fixed Setting thermostat with 24" capillary tube, flange/side mt.	RD-5-4531-24	RD-5-4531-24P	71R3200
Small Tract Type Tractor D3, D4, D5 with OE#RD-5-8377-0	Fixed Setting thermostat with 33" capillary tube, flange mt., 40 - 85°F	RD-5-8377-0	RD-5-8377-0P	71R3125
TH26, 63, 82, 83, 103 Series using Red Dot A/C unit R-10170-0, OE#RD-4427-24	Fixed Setting thermostat with 24" capillary tube, flange mt.	RD-4427-24	RD-4427-24P	71R3100
Tract Loader 963LGP with Red Dot A/C, OE#RD-4125-36P	Rotary thermostat with 36" capillary tube, 34 - 52°F, clutch cycle range 5°	RD-4125-36P	RD-4125-36P	71R2250

THERMOSTATIC SWITCH CONTINUED ON NEXT PAGE

OFF-ROAD APPLICATIONS

Model	Description	OEM Part No.	Factory No.	Part No.
-------	-------------	--------------	-------------	----------

CATERPILLAR


THERMOSTATIC SWITCH

Tract Type Tractor D6H, D6HLGP, D7G, D7H, D7HLGP, D8K, D8N, D9H, D9L (early) with Red Dot A/C, OE#RD-4125-36P	Rotary thermostat with 36" capillary tube, 34 - 52°F, clutch cycle range 5°	RD-4125-36P	RD-4125-36P	71R2250
Wheel Tractor Scraper 627B, 637D with Red Dot A/C, OE#RD-4125-36P	Rotary thermostat with 36" capillary tube, 34 - 52°F, clutch cycle range 5°	RD-4125-36P	RD-4125-36P	71R2250
325 Series with Red Dot A/C unit R-10004-0, OE#RD-5-4531-24	Fixed Setting thermostat with 24" capillary tube, flange/side mt.	RD-5-4531-24	RD-5-4531-24P	71R3200
906 Series with Red Dot A/C unit R-10160-0, OE#RD-5-4531-24	Fixed Setting thermostat with 24" capillary tube, flange/side mt.	RD-5-4531-24	RD-5-4531-24P	71R3200
914G, 928G Series using Red Dot A/C unit R-10046-0, R-10047-0, OE#RD-5-6429-0P	Fixed Setting thermostat with 16" capillary tube, flange mt.	RD-5-6429-0P	RD-5-6429-0P	71R3150
950B - F, 966, 966F, 980A - C Series using Red Dot A/C unit R-10044-3, OE#RD-4172-0	Rotary thermostat, 27" capillary, 34°-52°F, clutch cycle range 5°F	RD-4172-0	RD-4172-0P	71R2310
950F, 966F Series using Red Dot A/C unit R-10045-0, OE#RD-5-4531-24P	Fixed setting thermostat with 24" capillary tube, flange/side mt.	RD-5-4531-24P	RD-5-4531-24P	71R3200

71R2250 RD-4125-36P
 Capillary Length: 36"
 Type: Variable
 Temp. Range: 34°- 52°F
 Clutch Cycle Range: 5°F



71R2300 RD-4125-48P
 Capillary Length: 48"
 Type: Variable
 Temp. Range: 34°- 52°F
 Clutch Cycle Range: 5°F



71R2310 RD-4172-0P
 Capillary Length: 27"
 Type: Variable
 Temp. Range: 34°- 52°F
 Clutch Cycle Range: 5°F



71R2700 RD-4226-0P
 Pull for cold Variable temp. Mounting hole spacing 2 1/8"
 Capillary Length: 30"
 Type: Variable
 Temp. Range: 34°- 54°F
 Clutch Cycle Range: 5°F




71R3100 RD-4-4272-4P
 Mounting hole spacing: 2 1/8"
 Capillary Length: 24"
 Type: Fixed
 Temp. Range: 34°- 38°F
 Clutch Cycle Range: 5°F



71R3125 RD-5-8377-0P
 Mounting hole spacing: 2 3/16"
 Capillary Length: 33"
 Type: Fixed
 Temp. Range: 40° - 85°F
 Clutch Cycle Range: 5°F



71R3150 RD-5-6429-0P
 Capillary Length: 16"
 Type: Fixed
 Temp. Range: 28°- 35°F
 Clutch Cycle Range: 7°F



71R3200 RD-5-4531-24P
 Mounting hole spacing: 2 7/8"
 Capillary Length: 24"
 Type: Fixed (side mount)
 Temp. Range: 31°- 39°F
 Clutch Cycle Range: 8°F



CATERPILLAR

Model	Description	OEM Part No.	Factory No.	Part No.
-------	-------------	--------------	-------------	----------

CATERPILLAR

WATER VALVE

All Series with OE#3P7994, 7G-8699	Cable operated valve, straight (pull to open), $\frac{3}{8}$ " to $\frac{3}{8}$ " hose	3P7994 7G-8699	RD-4257-0P	72R5050
D4E, D5B, D5H, D6D, D7G, D8K, D9H	Cable operated valve, straight (pull to open), $\frac{3}{8}$ " to $\frac{3}{8}$ " hose	7G-8699	RD-4257-0P	72R5050
Large Haul Trucks 793, 797 with OE#RD-5-8894-0	Cable operated valve, (pull to open), $\frac{3}{8}$ " to $\frac{3}{8}$ " hose	RD-5-8894-0	RD-5-8894-0P	72R6535
Motor Grader 24H Series with OE#RD-5-8390-0	Cable operated valve	RD-5-8390-0	RD-5-8390-0P	72R6525
Skid Steer A series Tier I, II with Red Dot A/C unit, OE#RD-5-10635-0	Cable operated with stem water control valve, (pull to close), $\frac{3}{8}$ " to $\frac{3}{4}$ " hose	RD-5-10635-0P	RD-5-10635-0P	72R5204
Skid Steer B series Tier II with Red Dot A/C unit, OE#RD-3-11046-0	Cable operated with stem water control valve, (pull to close), $\frac{3}{8}$ " to $\frac{3}{4}$ " hose	RD-3-11046-0	RD-3-11046-0P	72R5203
Small Track Type Tractor D3, D4, D5 with OE#RD-5-10055-0	Cable operated valve, straight (pull to open), $\frac{3}{8}$ " to $\frac{3}{8}$ " hose	RD-5-10055-0	RD-5-10055-0P	72R6547
215, 225, 235, 245, 615, 613B, 613C, 621, 621B, 623B, 627B, 631D, 633D, 637D, 639D, 943, 953, 955L, 963, 977L, 983B973,	Cable operated valve, straight (pull to open), $\frac{3}{8}$ " to $\frac{3}{8}$ " hose	7G-8699	RD-4257-0P	72R5050

72R5050 RD-4257-0P
5/8" hose to 5/8" hose



72R5203 RD-3-11046-0P
 $\frac{3}{8}$ " Hose to $\frac{3}{8}$ " Hose with Stem Water Control Valve
Pull To Close



72R5204 RD-5-10635-0P
 $\frac{3}{8}$ " Hose to $\frac{3}{4}$ " Hose with Stem Water Control Valve
Pull To Close



72R6525 RD-5-8390-0P
Water Valve for Caterpillar Motor Grader 24H



72R6535 RD-5-8894-0P
 $\frac{3}{8}$ " Hose To Core Mount – Pull to Open
Fits Caterpillar Long / Large Haul 793, 797



72R6547 RD-5-10055-0P
 $\frac{3}{8}$ " Hose To Core Mount – Pull to Close



OFF-ROAD APPLICATIONS

Model	Description	OEM Part No.	Factory No.	Part No.
-------	-------------	--------------	-------------	----------

CRENLO/NEW HOLLAND

BLOWER MOTOR

Genesis Tractor 8670, 8770, 8870, 8970 Series with Red Dot A/C units, OE#RD-3-6770-0P	Blower assembly, single speed, 800 CFM, 12V, 18 7/16" x 3" x 6 21/32"	RD-3-6770-0	RD-3-6770-0P	73R5502
---	---	-------------	--------------	----------------

73R5502 RD-3-6770-0P

Single Speed – 800 CFM – 12 volt
 18 7/16" x 3" x 6 21/32"
 Use with Red Dot Model R-9715-0
 Connector: Two conductor Packard terminal #2984528



COMPRESSOR - SANDEN

Genesis Tractor 8670, 8770, 8870, 8970 Series 24V Sanden 7H15FLX, OE #4874.	7H15FLX, GV head, ear mount, poly 8, 5 1/4" (133mm) diameter	4874	RD-5-11005-0P	75R89434
---	--	------	---------------	-----------------

EVAPORATOR

Genesis Tractor 8670, 8770, 8870, 8970 Series with Red Dot A/C R-3960-2 unit	Dimensions: 6 7/16" height x 23 1/2" length x 3 13/32" width	RD-2-3629-0	RD-2-3629-0P	76R7725
--	--	-------------	--------------	----------------

76R7725 RD-2-3629-0P

Used on Red Dot Unit Model R-3960
 6 7/16" high x 23 1/2" long x 3 13/32" wide



PRESSURE SWITCH

Genesis Tractor 8670, 8770, 8870, 8970 Series with Red Dot A/C	Low pressure switch, normally opens 15 psi, closes 35 psi	RD-5-7038-0	RD-5-7038-0P	71R6135
--	---	-------------	--------------	----------------

Genesis Tractor 8670, 8770, 8870, 8970 Series with Binary switch for Red Dot A/C	Binary 7/16"-20 UNF female, Schrader type valve	RD 5 4640 0 61522-006	RD-5-4640-0P	71R7050
--	---	--------------------------	--------------	----------------

71R6135 RD-5-7038-0P

Type: Low Side – White
 Fitting / Connector: 7/16" female flare / two-conductor female spade
 Normally Open – Closes at 35 PSI – Opens at 15 PSI



71R7050 RD-5-4640-0P

7/16"-20 UNF-28 Female Thread for Installation on Male Schrader Type Valve.



RECEIVER DRIER

Genesis Tractor 8670, 8770, 8870, 8970 Series with Red Dot A/C	O-Ring Type with side port, top glass, moisture indicator	221RD32	RD-5-7272-1P	74R2447
--	---	---------	--------------	----------------

74R2447 RD-5-7272-1P

Includes Moisture Indicator
 3" diameter x 6 1/4" long
 #6 Male O-Ring
 High Capacity Pressure Relief
 Side Port



THERMOSTATIC SWITCH

Genesis Tractor 8670, 8770, 8870, 8970 Series with Red Dot A/C R-3960-2 unit	Red Dot Models, fixed setting thermostat, 24" cap tube	RD-5-4531-24	RD-5-4531-24P	71R3200
--	--	--------------	---------------	----------------

71R3200 RD-5-4531-24P

Mounting hole spacing: 2 3/4"
 Capillary Length: 24"
 Type: Fixed (side mount)
 Temp. Range: 31°- 39°F
 Clutch Cycle Range: 8°F



CRENLO/
NEW HOLLAND

Model	Description	OEM Part No.	Factory No.	Part No.
-------	-------------	--------------	-------------	----------

DEUTZ-ALLIS

BLOWER MOTOR

All series with Kysor A/C, OE#003-3938	Bergstrom - Kysor A/C, single shaft, 1 speed, CW, 4 7/8" length	275130 HA1520 BSM205620	RD-5-10905-0P	73R0442
Air Planter 385 Series with Red Dot A/C, OE#431-7737	Main unit (Red Dot) with single shaft, 4 3/4" length	431-7737	RD-5-6526-0P	73R0422
Tractor D Series 5600, 6600 condenser blower, OE#70257681-0, HV33208	Kysor/Evans (condenser blower), non vented, 12V, 1 speed, CW, 4 7/8" length	70257681-0 HV33208	RD-5-3690-1P	73R0532
Tractor D Series 6200 evaporator blower, OE#70257681-0, HV33209	Kysor A/C, double shaft motor, 1 speed, 4 7/8" length	205840 BSM203085 2809-551-007	RD-5-10068-0P	73R4322

73R0422 RD-5-6526-0P

Single Speed
12 Volt
Rotates CW
Permanent Magnet Motor
Strap/Stud Mounted, Span 2 5/16"
Dimensions: 4 3/8" x 4" x 3"
Shaft: 3/16" diameter, Length: 1 5/8"
Vented
Connector: Two conductor Packard #2984528, 2971859



73R0442 RD-5-10905-0P

Single Speed
12 Volt
Rotates CW
Permanent Magnet Motor
Stud Mounted, Span 2 5/16"
Dimensions: 4 3/8" x 4 3/4" x 3"
Shaft: 3/16" diameter, Length: 1 3/4"
Vented
Connector: Two conductor Packard 1/4" blade terminal #2973781



73R0532 RD-5-3690-1P

Single Speed
12 Volt
Rotates Clockwise
Permanent Magnet Motor
Strap / Stud Mounted, Span 2 5/16"
Dimensions: 4 7/8" x 4" x 3"
Shaft: 3/16" diameter, Length: 1"
Non Vented
Connector: Two conductor with ring terminal



73R4322 RD-5-10068-0P

Single Speed
12 Volt
Permanent Magnet Motor
Stud Mounted, Span 2 5/16"
Dimensions: 4 3/8" x 4 1/2" x 3"
Shafts: 3/16" diameter, length: 2 1/2"
Vented
Connector: Two conductor 1/4" spade receptacle



BLOWER SWITCH

All series with tandem blower switch, Kysor A/C	Bergstrom - Kysor A/C, tandem blower switch, DP3T, 4 position, 5 terminal, 15 amps		RD-5-4908-0P	71R1200
All series with rotary blower switch with resistor, OE#586082	Rotary switch, 3 speed, DP3T, 4 position, 5 terminal	586082 1175262-3	RD-5-5194-0P	71R1210
All series with rotary blower switch without resistor	Rotary switch, 3 speed, DP3T, 4 position, 5 terminal	71195109	RD-5-10934-0P	71R1163

71R1163 RD-5-10934-0P

3 speed
DP3T
4-position
5 terminals
25 amps



Mounting hole: .442" x .385" - "D" hole

71R1200 RD-5-4908-0P

Tandem Blower Switch With Resistor
DP3T,
4-position,
5 terminals
15 amps
Mounting hole: .500"



71R1210 RD-5-5194-0P

3 Speed with Resistor -
DP3T,
4-position,
5 terminals
18 amps
Uses Knob
71R4050
Mounting hole: .500"



CLUTCH ASSEMBLY

All series with CCI/York - R12 / 134A compressors, OE#003-3938	2 groove 6" diameter pulley, 1/2" width, 1 5/8" ga, bullet plug	003-3938	RD-5-4967-0P	75R0452
All series with CCI/York - R12 / 134A compressors, OE#003-4530	2 groove 7" diameter pulley, 12V, 1/2" width, 2" ga, bullet plug	003-4530	RD-5-4994-0P	75R4502
All series with Sanden SDS (5H14) R12/R134a compressors, OE#6585-6010	2 groove 5 1/4" diameter, 1/2" width, (132mm), 1 wire plug	6585-6010	RD-5-10379-0P	75R1542
All series with Sanden SDS (508) R12/R134a compressors, OE#8517-6010	2 groove 5 1/4" diameter, 1/2" width, (132mm), 1 wire plug	8517-6010	RD-5-5486-0P	75R0202

75R0202 RD-5-5486-0P

Model SDS (508, 510, 5H14)
Diameter: 5 1/4" / 132mm
Groove: 2
Width: 1/2"
12 Volts
B Distance: 1 9/16" / 40mm
Single wire coil
Bare wire



75R0452 RD-5-4967-0P

Diameter: 6"
Groove: 2
Width: 1/2"
12 Volts
B Dimension: 1 5/8"
Single wire coil
Male bullet plug



75R1542 RD-5-10369-0P

OE # 6504-6010
Model 709 / 7H15
Diameter: 5 1/4" / 132mm
Groove: 2
Width: 1/2"
12 Volts
B Distance: 1 9/16" / 40mm
Double wire coil
Ford OE plug



75R4502 RD-5-4994-0P

Diameter: 7"
Groove: 2
Width: 1/2"
12 Volts
B Dimension: 2"
Single wire coil
Male bullet plug



OFF-ROAD APPLICATIONS

Model	Description	OEM Part No.	Factory No.	Part No.
-------	-------------	--------------	-------------	----------

DEUTZ-ALLIS

COMPRESSOR - GM

All series with GM A6 with Superheat switch port, without oil, replaces OE#s shown	1 groove 1/2" width, 4 7/8" diameter (124mm), generic	0256782	RD-5-5000-OP	75R8102
		70264637		
		70272975-6		
		70272976-5		
		70272981		
		79008037-8		

75R8102 RD-5-5000-OP
 GMC A6R, Generic Superheat switch port
 5" Single Groove Clutch 12 volt
 Pulley with 1/2" - 3/4" variable groove R-12 / R134a
 Standard thread mounting holes Clockwise rotation
 No Oil



COMPRESSOR - SANDEN

All series with Sanden 7H15, #4644 R134a compressor with PAG oil, OE#72239750	7H15, JD head, ear mount 2 groove, 5 1/4" (132mm) diameter	72239750 4644	RD-5-7088-OP	75R8382
All series with Sanden 5H14, #6665 R134a compressors, 24V	5H14-HD, FL head, 2A groove, 5 1/4" (132mm) diameter	6665	RD-5-7089-OP	75R8384

75R8382 RD-5-7088-OP
 Model: 7H15 Head: JD Voltage: 12
 Mount: Ear Sanden: 4509, 4510, 6664
 Clutch: 5 1/4" (132mm) A2 Groove R134a



75R8384 RD-5-7089-OP
 Model: 7H15 Head: JD Voltage: 24
 Mount: Ear
 Sanden: 4506, 4507, 6627, 6665, 4271
 Clutch: 5 1/4" (132mm) A2 Groove R134a



EXPANSION VALVE / BLOCK

All combine and tractor model series with block valve, 2 Ton, OE#329-413	Block valve with female O-Ring fittings	329-413	RD-5-7015-1P	71R8321
All combine and tractor model series with block valve, OE#72162195	Block valve with female O-Ring fittings	72162195	RD-5-6868-1P	71R8301
All combine and tractor model series with Kysor A/C block valve, OE#71307202	Block valve with female O-Ring fittings	71307202	RD-5-6868-1P	71R8301
Tractors 7085, 7110, 7120, 7145 Series with OE#04322165	Block valve with female O-Ring fittings	04322165	RD-5-6868-1P	71R8301
Tractors 8600 Series with OE#04322165	Block valve with female O-Ring fittings	04322165	RD-5-6868-1P	71R8301
Tractors 9150, 9170, 9190, 9800 Series with OE#04322165	Block valve with female O-Ring fittings	04322165	RD-5-6868-1P	71R8301

71R8301 RD-5-6868-OP
 Inlet: #6 (3/8") Female O-Ring
 Outlet: #10 (5/8") Female O-Ring
 Evaporator Fittings
 In: #8 (1/2") Female O-Ring
 Out: #8 (1/2") Female O-Ring
 Superheat Rating: 5°F
 Pressure Limit: 80 psig @40°F



71R8321 RD-5-7015-OP
 High Capacity (2 Ton)
 Inlet: #6 (3/8") Female "O" Ring
 Outlet: #10 (5/8") Female O-Ring
 Evaporator Fittings
 In: #8 (1/2") Female O-Ring
 Out: #10 (5/8") Female O-Ring
 Superheat Rating: 8°F
 Pressure Limit: 53.5 psig @75°F



EXPANSION VALVES CONTINUED ON NEXT PAGE

Model	Description	OEM Part No.	Factory No.	Part No.
-------	-------------	--------------	-------------	----------

DEUTZ-ALLIS

EXPANSION VALVE / EXTERNAL EQUALIZER

All combine and tractor model series with external equalizer, OE#003-4238	Male flare with 18" capillary length, 18" equalizer tube length	003-4238 RD 4126 1	RD-4126-1P	71R8050
All combine and tractor model series with external equalizer, OE#003-4586	Male O-Ring with 13" capillary length, 13" equalizer tube length	003-4586	RD-5-3824-1P	71R8100
All combine and tractor model series with external equalizer, OE#70259978	Male O-Ring with 13" capillary length, 13" equalizer tube length	70259978	RD-5-3824-1P	71R8100
All combine and tractor model series with external equalizer, OE#826-003	Male O-Ring, 1 1/2 Ton, 10" capillary length, 10" equalizer tube length	826-003	RD-5-5862-0P	71R8080
Tractors DX Series DX90, DX160 with male O-Ring fittings	Male O-Ring with 13" capillary length, 13" equalizer tube length	RD-5-3824-1	RD-5-3824-1P	71R8100
Tractors 6240, 6250, 6260, 6265, 6275 Series with male O-Ring fittings	Male O-Ring with 13" capillary length, 13" equalizer tube length	RD-5-3824-1	RD-5-3824-1P	71R8100
Tractors 8560 Series with male O-Ring fittings	Male O-Ring with 13" capillary length, 13" equalizer tube length	RD-5-3824-1	RD-5-3824-1P	71R8100

71R8050 RD-4126-1P

External Equalizer
Inlet: #6 (1/4") Male Flare
Outlet: #8 (1/2") Male Flare Equalizer Tube
Length: 18"
Nut: 1/4" Female Flare
Capillary Tube Length: 18"
Rating: 1 1/2 Ton



71R8080 RD-5-5862-0P

External Equalizer
Inlet: #6 (1/4") Male O-Ring
Outlet: #8 (1/2") Male O-Ring Equalizer Tube
Length: 10"
Nut: 1/4" Male O-Ring
Capillary Tube Length: 10"
Rating: 1 1/2 Ton



71R8100 RD-5-3824-1P

External Equalizer
Inlet: #6 (1/4") Male O-Ring
Outlet: #8 (1/2") Male O-Ring Equalizer Tube
Length: 13"
Nut: 1/4" Female O-Ring
Capillary Tube Length: 13"
Rating: 1 1/2 Ton



EXPANSION VALVE / INTERNAL EQUALIZER

All combine and tractor model series with OE#1162473-1	Internal equalizer with male flare with 9" capillary length, flare fittings	1162473-1	RD-5-6099-0P	71R8210
All combine and tractor model series with OE#826-004	Internal equalizer, 1 1/2 Ton, Male O-Ring	826-004	RD-5-10445-0P	71R8220

71R8210 RD-5-6099-0P

Internal Equalizer
Inlet: #6 (1/4") Male Flare
Outlet: #8 (1/2") Male Flare
Capillary Tube Length: 9"
Rating: 1 1/2 Ton



71R8220 RD-5-10445-0P

Internal Equalizer **LS**
Inlet: #6 (1/4") Male O-Ring
Outlet: #8 (1/2") Male O-Ring
Capillary Tube Length: 12"
Rating: 1 1/2 Ton



PRESSURE SWITCH

All series using high pressure switch, OE#432-2167, 111266C1	High Pressure Switch, normally closed 210psi, opens 340 psi, 1/4" female flare	432-2167 111266C1	RD-5-5873-0P	71R6070
All series, low pressure cut-off, drier mounting	Low pressure cut out switch, 3/8"-24, norm. open, closes 27 psig	085108-00 72162165-4	RD-4191-0P	71R6050


71R6050 RD-4191-0P

3/8"-24-UNF-2A male threads O-Ring Normally open - closes at 27 PSIG



71R6070 RD-5-5873-0P

Type: High Side
 Fitting / Connector: 1/4" female flare
 Normally Closed - Closes at 210 PSI - Opens at 340 PSI



OFF-ROAD APPLICATIONS

DEUTZ-ALLIS

Model	Description	OEM Part No.	Factory No.	Part No.
-------	-------------	--------------	-------------	----------

DEUTZ-ALLIS

RECEIVER DRIER

All combine and tractor model series with OE#003-4228, 088423-00	Hi Cap #6 Male O-Ring with schrader, pressure relief, 3" x 6 1/4"	003-4228 088423-00	RD-5-7061-7P	74R2537
All combine and tractor model series with in line drier, OE#70268464, 70264644-6, 70275847	In Line drier with #6 Female to Male O-Ring, 4" x 8"	70268464 70264644-6 70275847	RD-5-8862-1P	74R0401
All combine and tractor model series with OE#70276903	Male & Male O-Ring HPRV, MI IN CAP	70276903	RD-5-11192-0P	74R2608
All combine and tractor model series with OE#71355100	with #6 Male O-Ring, 3" X 8 1/4", top port, schrader ports	71355100	RD-5-10777-0P	74R2616
All combine and tractor model series with OE#72161835-3	Male & Male O-Ring with Fuse Plug, Low Pressure Switch	72161835-3	RD-4160-1P	74R2106
All combine and tractor model series with OE#72275275	Male inlet, Female outlet with 2 M10 Ports	72275275	RD-5-10735-1P	74R3157
All combine and tractor model series with OE#72502208	Male O-Ring with fuse plug, side port, top glass	72502208	RD-5-4950-1P	74R0907
Tractor AGRO-Star Series 8360, 8425	with #6 Male O-Ring, 2 3/4" X 9 5/8"	RDH RD5 5571 0	RD-5-5571-0P	74R1806
Tractor D series with in line drier, OE#70268464, 70264644-6, 70275847	In Line drier with #6 Female to Male O-Ring, 4" x 8"	70268464 70264644-6 70275847	RD-5-8862-1P	74R0401
Tractor 8600, 9400, 9600, 9800 Series	with #6 Male O-Ring, 2 3/4" X 9 5/8"	RDH RD5 5571 0	RD-5-5571-0P	74R1806
Tractor 9700 Series	with #6 Male O-Ring, 3" x 6 1/4"	RD-5-7061-2	RD-5-7061-8P	74R2527

74R0401 RD-5-8862-1P
4" diameter x 7 7/8" long
#6 Female O-Ring - #6 Male O-Ring
Dual Sight Glass



74R0907 RD-5-4950-1P
2 1/2" diameter x 8" long
#6 Male O-Ring
Fuse
Side Port



74R1806 RD-5-5571-0P
2 3/4" diameter x 10" long
#6 Male O-Ring Schrader Port
High Capacity
Pressure Relief
Top Port



74R2106 RD-4160-1P
Includes Low Pressure Switch
2 1/4" diameter x 10" long
#6 Male O-Ring
High Capacity
Low Pressure /
Pressure Relief
Side Port



74R2527 RD-5-7061-8P
3" diameter x 6 1/2" long
#6 Male O-Ring
High Capacity
Pressure Relief
Side Port



74R2537 RD-5-7061-7P
3" diameter x 6 1/4" long
#6 Male O-Ring
(Schrader Port)
High Capacity
Pressure Relief
Side Port



74R2608 RD-5-11192-0P
3" diameter x 8 3/8" long
#6 Male O-Ring
High Capacity
Fuse



74R2616 RD-5-10777-0P
3" diameter x 8 1/4" long
#6 Male O-Ring
Two Schrader Ports



74R3157 RD-5-10735-1P
Includes Moisture Indicator
3" diameter x 8" long
#6 Male O-Ring Inlet,
#6 Female O-Ring Outlet
2 Schrader Ports
Pressure Relief
Top Port (2)




THERMOSTATIC SWITCH

All combine and tractor model series with OE#003-4221	Rotary thermostat, 36" capillary tube, 34 - 52°F	003-4221	RD-4125-36P	71R2250
All combine and tractor model series with OE#404145	Fixed Setting thermostat with 24" capillary tube, flange mt.	404145	RD-4427-24P	71R3100
All combine and tractor model series with OE#70268476-9	Rotary thermostat with 48" capillary tube, 34 - 52°F	70268476-9	RD-4125-48P	71R2300


71R2250 RD-4125-36P
Capillary Length: 36"
Type: Variable
Temp. Range: 34° - 52°F
Clutch Cycle Range: 5°F



71R2300 RD-4125-48P
Capillary Length: 48"
Type: Variable
Temp. Range: 34° - 52°F
Clutch Cycle Range: 5°F



71R3100 RD-4-4272-4P
Mounting hole spacing: 2 1/4"
Capillary Length: 24"
Type: Fixed
Temp. Range: 34° - 38°F
Clutch Cycle Range: 5°F



Model	Description	OEM Part No.	Factory No.	Part No.
-------	-------------	--------------	-------------	----------

EUCLID

BLOWER MOTOR

Haul Truck series with Bergstrom A/C, Euclid OE#20333P	Bergstrom A/C, 24V single shaft motor, 1 speed, CCW, 5" length	20333P	RD-5-4827-24P	73R0404
--	--	--------	---------------	----------------

73R0404 RD-5-7038-0P

Single Speed
24 Volt
Rotates Counter Clockwise
Permanent Magnet Motor
Stud Mounted, Span 2 1/4"
Dimensions: 4 1/4" x 4" x 3"
Shaft: 5/16" diameter, Length: 1 3/8"
Vented



ELECTRICAL SWITCH

All combine and tractor model series with OE#026476-9	Rotary thermostat, 36" capillary tube, 34 - 52°F	026476-9	RD-4125-36P	71R2250
---	--	----------	-------------	----------------

71R2250 RD-4125-36P

Capillary Length: 36"
Type: Variable
Temp. Range: 34°- 52°F
Clutch Cycle Range: 5°F



EXPANSION VALVE / BLOCK

Haul Truck series with block valve	Block valve with female O-Ring fittings		RD-5-6868-1P	71R8301
------------------------------------	---	--	--------------	----------------

71R8301 RD-5-6868-0P

Inlet: #6 (3/8") Female O-Ring
Outlet: #10 (5/8") Female O-Ring
Evaporator Fittings
In: #8 (1/2") Female O-Ring
Out: #8 (1/2") Female O-Ring
Superheat Rating: 5°F
Pressure Limit: 80 psig @40°F



RECEIVER DRIER

Haul Truck series with receiver drier	with #6 Male O-Ring, 3" X 9 1/4", side port, pressure relief		RD-5-8240-1P	74R3347
---------------------------------------	--	--	--------------	----------------

74R3347 RD-5-8240-1P

Includes Moisture Indicator
3" diameter x 9 1/4" long
#6 Male O-Ring
High Capacity
Pressure Relief
Side Port



EUCLID

OFF-ROAD APPLICATIONS

Model	Description	OEM Part No.	Factory No.	Part No.
-------	-------------	--------------	-------------	----------

FORD - NEW HOLLAND (FNH)

BLOWER MOTOR

All model series with FNH OE#271438	All with 3" diameter blower motor, 1 speed, NV, CCW, 3 3/8" length	271438	RD-5-4550-0P	73R0102
-------------------------------------	--	--------	--------------	----------------

73R0102 RD-5-4550-0P

Single Speed
12 Volt
Rotates Counter Clockwise
Field Wound Motor
Stud Mounted, Span 2 5/16"
Dimensions: 3 3/8" x 2 3/4" x 3"
Shaft: 7/16" diameter, Length: 1 1/8"
Non Vented
Connector: One conductor, 14 gauge



CLUTCH ASSEMBLY

All series with CCI/York - R12 / 134A compressors, FNH OE#D5NN19D649A	2 groove 6" diameter pulley, 1/2" width, 1 5/8" ga, bullet plug	D5NN19D649A	RD-5-4967-0P	75R0452
All series with CCI/York - R12 / 134A compressors, FNH OE#D2NN19D649AA	2 groove 7" diameter pulley, 12V, 1/2" width, 2" ga, bullet plug	D2NN19D649AA	RD-5-4994-0P	75R4502
All series with Sanden SD508 R12/R134a compressor, Sanden OE#6514-6210	2 groove 5 1/4" diameter, 1/2" width, (132mm), 1 wire plug	6514-6210 6574-6210	RD-5-5486-0P	75R0202
All series with Sanden SD7H15HD R134a compressor, OE #6504-6310	2 groove 1/2" width, 5 1/4" diameter (132mm)	6504-6310	RD-5-10379-0P	75R1542
Combines TR70, TR75, TR76 with R210 series CCI/York compressors	2 groove 6" diameter pulley, 1/2" width, 1 5/8" ga, weatherpak plug	024 25190 03-1104973 501939	RD-5-4972-1P	75R1202
Combines TR85, TR86, 87, 96, 97 with Sanden SD5 (508 / 510 / 5H14) compressors	2 groove 5 1/4" diameter, 1/2" width, (132mm), 1 wire plug	6574-6210 6514-6210	RD-5-5486-0P	75R0202
FW Series including FW20 with Sanden SD508 compressor	2 groove 5 1/4" diameter, 1/2" width, (132mm), 1 wire plug	6574-6210 6514-6210	RD-5-5486-0P	75R0202
Harvester / Balewagon 1038, 1078, 1079, 1085 with R210 series CCI/York compressor	2 groove 6" diameter pulley, 1/2" width, 1 5/8" ga, bullet plug	024-25078 MA6 MAE6AR	RD-5-4967-0P	75R0452
Harvester / Balewagon 1038, 1078, 1079, 1085 with R210 series CCI/York compressor	2 groove 6" diameter pulley, 1/2" width, 1 5/8" ga, weatherpak plug	024 25190 03-1104973 501939	RD-5-4972-1P	75R1202
Harvester / Balewagon 1915, 2115 with Sanden SD5 (508 / 510 / 5H14) compressors	2 groove 5 1/4" diameter, 1/2" width, (132mm), 1 wire plug	6574-6210 6514-6210	RD-5-5486-0P	75R0202
Harvester / Balewagon 1915, 2115 with CCI/York compressors	2 groove 6" diameter pulley, 1/2" width, 1 5/8" ga, weatherpak plug	024 25190 03-1104973 501939	RD-5-4972-1P	75R1202
Power Shift 8630, 8730, 8830 with R210L series CCI/York compressors	2 groove 6" diameter pulley, 1/2" width, 1 5/8" ga, weatherpak plug	024 25190 03-1104973 501939	RD-5-4972-1P	75R1202
Swathers / Windrowers 1118, 2450, 2550 with Sanden SD5 (508 / 510 / 5H14) compressors	2 groove 5 1/4" diameter, 1/2" width, (132mm), 1 wire plug	6574-6210 6514-6210	RD-5-5486-0P	75R0202
Swathers / Windrowers 1118, 2450, 2550 with CCI/York compressors	2 groove 6" diameter pulley, 1/2" width, 1 5/8" ga, weatherpak plug	024 25190 03-1104973 501939	RD-5-4972-1P	75R1202
Swathers / Windrowers 4750, 4850 with Sanden SD5 510 compressor, OE#9125	2 groove 5 1/4" diameter, 1/2" width, (132mm), 1 wire plug	6574-6210 6514-6210	RD-5-5486-0P	75R0202
Tractor 230A, 233, 234, 333, 334, 355 with Sanden SD5 510 compressor	2 groove 5 1/4" diameter, 1/2" width, (132mm), 1 wire plug	6574-6210 6514-6210	RD-5-5486-0P	75R0202
Tractor 1150, 1151, 1156 Versatile with Sanden SD5 510 compressor, OE#5733	2 groove 5 1/4" diameter, 1/2" width, (132mm), 1 wire plug	6574-6210 6514-6210	RD-5-5486-0P	75R0202
Tractor 530A, 555A, 655A with T210 series CCI/York compressors	2 groove 6" diameter pulley, 1/2" width, 1 5/8" ga, weatherpak plug	024 25190 03-1104973 501939	RD-5-4972-1P	75R1202

CLUTCH ASSEMBLY CONTINUED ON NEXT PAGE

Model	Description	OEM Part No.	Factory No.	Part No.
-------	-------------	--------------	-------------	----------

FORD - NEW HOLLAND (FNH)

CLUTCH ASSEMBLY

Tractor 800-900 Series Versatile with Sanden SD5 510 compressor, OE#5733	2 groove 5 1/4" diameter, 1/2" width, (132mm), 1 wire plug	6574-6210 6514-6210	RD-5-5486-0P	75R0202
Tractor 800-900 Series Versatile with T210 series CCI/ York compressors	2 groove 6" diameter pulley, 1/2" width, 1 5/8" ga, weatherpak plug	024 25190 03-1104973 501939	RD-5-4972-1P	75R1202
Tractor 5000-8000 series with Sanden SD5 508 compressor	2 groove 5 1/4" diameter, 1/2" width, (132mm), 1 wire plug	6574-6210 6514-6210	RD-5-5486-0P	75R0202
Tractor 5000-8000 series with R210 series CCI/York compressor	2 groove 6" diameter pulley, 1/2" width, 1 5/8" ga, bullet plug	024-25078 MA6 MAE6AR	RD-5-4967-0P	75R0452
Tractor 5610, 6610, 7610, 8210 series with Sanden SD5 510 compressor	2 groove 5 1/4" diameter, 1/2" width, (132mm), 1 wire plug	6574-6210 6514-6210	RD-5-5486-0P	75R0202
Tractor 9000 series (except 9030) with R210 series CCI/ York compressor	2 groove 6" diameter pulley, 1/2" width, 1 5/8" ga, bullet plug	024-25078 MA6 MAE6AR	RD-5-4967-0P	75R0452
Tractor 9030 series with Sanden SD7H15 compressor	2 groove 5 1/4" diameter, 1/2" width, (132mm), 1 wire plug	6574-6210 6514-6210	RD-5-5486-0P	75R0202
TW series with R210 series CCI/York compressor	2 groove 6" diameter pulley, 1/2" width, 1 5/8" ga, bullet plug	D5NN19D649A	RD-5-4967-0P	75R0452
TW series with Sanden 5H14 compressor, OE#4536, 5708	2 groove 5 1/4" diameter, 1/2" width, (132mm), 1 wire plug	6574-6210 6514-6210	RD-5-5486-0P	75R0202

75R0202 RD-5-5486-0P

Model SDS (508, 510, 5H14)
Diameter: 5 1/4" / 132mm
Groove: 2
Width: 1/2"
12 Volts
B Distance: 1 1/16" / 40mm



Single wire coil
Bare wire

75R0452 RD-5-4967-0P

Diameter: 6"
Groove: 2
Width: 1/2"
12 Volts
B Dimension: 1 5/8"



Single wire coil
Male bullet plug

75R1202 RD-5-4972-1P

OE #501939, MAE-6AR
Diameter: 6"
Groove: 2
Width: 1/2"
12 Volts
B Dimension: 1 5/8"



Single wire coil with diode
Weatherpak plug

75R1542 RD-5-10369-0P

OE # 6504-6010
Model 709 / 7H15
Diameter: 5 1/4" / 132mm
Groove: 2
Width: 1/2"
12 Volts
B Distance: 1 9/16" / 40mm



Double wire coil
Ford OE plug

75R4502 RD-5-4994-0P

Diameter: 7"
Groove: 2
Width: 1/2"
12 Volts
B Dimension: 2"



Single wire coil
Male bullet plug

COMPRESSOR - CCI / YORK / TECUMSEH

All series with CCI/York - Tube O-Ring compressor ET210L-25150	Tube O-Ring type head without clutch, (universal - new)	ET210L-25150	RD-5-8638-1P	75R7290
--	---	--------------	--------------	----------------

75R7290 RD-5-8638-0P

Fitting: 1" - 14
Universal, Standard Duty with Super Screws, Felt Ring, PRV and Ester Oil
Supplied without clutch
No connector supplied



OFF-ROAD APPLICATIONS

Model	Description	OEM Part No.	Factory No.	Part No.
FORD - NEW HOLLAND (FNH)				
COMPRESSOR - SANDEN				
All series with Sanden 7H15HD, #4603. FNH OE#9849085	7H15, WJ head, ear mount 2 groove, 5 1/4"(132mm) diameter	9849085 4603	RD-5-11241-0P	75R81192
All series with Sanden 7H15HD, #4609. FNH OE#86993462	7H15, MD head, ear mount 2 groove, 6" (152mm) diameter	86993462 4609	RD-5-10259-0P	75R84112
All series with Sanden 7H15HD, #4617 R134a compressor, OE#86001191, 97005764	Sanden 7H15SHD, MD head, ear mt., 2 groove, 5 1/4" (132mm)	86001191 97005764 4617	RD-5-10291-0P	75R84532
All series with Sanden 7H15HD, #4637 R134a compressor, OE#9824775	7H15HD, KC head, ear mount poly 8, 5 1/4"(133mm) diameter	9824775 4637	RD-5-6919-0P	75R84522
All series with Sanden 7H15, #4643 R134a compressor, OE#9705764	Sanden 7H15, CB head, ear mt., 2 groove, 5 1/4" (132mm)	9705764 4643	RD-5-10292-0P	75R84552
All series with Sanden 7H15HD, #4768. FNH OE#86993463	7H15, MD head, direct mount poly 8, 6" (152mm) diameter	86993463 4768	RD-5-11200-0P	75R84592
All series with Sanden 5H14HD, #5708 R134a compressor, OE#E8NN19D629AA	5H14HD, K head, ear mount 2 groove, 5 1/4"(132mm) diameter	E8NN19D629AA 5708	RD-5-9088-0P	75R8332
All series with Sanden 5H14, #6665, 24V	5H14HD, 24V, FL head, 2A groove, 5 1/4" (132mm) diameter	6665	RD-5-7089-0P	75R8384
All series with Sanden 7H15, R134a compressor with PAG oil, OE#86508521, 9822598, D6NN19D629A	7H15, JD head, ear mount 2 groove, 5 1/4"(132mm) diameter	86508521 9822598 D6NN19D629A	RD-5-7088-0P	75R8382
Combines TR88, TR89 with Sanden 5H14, #6629 R-12 compressor	5H14HD, FL head, ear mount poly 7, 4.7"(119mm) diameter	6629	RD-5-10295-0P	75R84572
Power Shift 8630, 8730, 8830 with Sanden 7H15, OE #4709, 7862, 8023	7H15, KG head, ear mount, 2A groove, 4.9"(125mm) diameter	4709 7862 8023	RD-5-11200-0P	75R84592
Tractors Gemini 8160, 8260, 8360, 8560 with Sanden 7H15, OE#4660.	7H15, JDA head, ear mount, poly 8, 4 3/4" (119mm) diameter	4660 4711 7890 8028	RD-5-11322-0P	75R81482
Tractors Gemini 8670, 8770, 8870, 8970 with Sanden 7H15HD, #4637 R134a compressor, OE#9824775	7H15HD, KC head, ear mount poly 8, 5 1/4"(133mm) diameter	9824775 4637	RD-5-6919-0P	75R84522
Tractors TL70, TL80, TL90, TL100 with Sanden 5H14, #4644 compressor, OE#72239750	5H14, JD head, ear mount 2 groove, 5 1/4"(132mm) diameter	72239750 4644	RD-5-7088-0P	75R8382
Tractors TM115-190 with Sanden 7H15, OE #4660	7H15, JDA head, ear mount, poly 8, 4 3/4" (119mm) diameter	4660	RD-5-11322-0P	75R81482
Tractors TN55, TN65, TN70, TN75 with Sanden 5H14, OE#6631	5H14, M head, ear mount, 2A groove, 5 1/4" (132mm) diameter	6631	RD-5-11315-0P	75R81462
Tractors TN90F with Sanden 7H15, #4644 R134a compressor with PAG oil, OE#72239750	7H15, JD head, ear mount 2 groove, 5 1/4"(132mm) diameter	72239750 4644	RD-5-7088-0P	75R8382
Tractors TS90, TS100, TS120, TV140 Bidirectional with Sanden 7H15, OE #4660	7H15, JDA head, ear mount, poly 8, 4 3/4" (119mm) diameter	4660	RD-5-11322-0P	75R81482
Tractors TW with Sanden 5H14HD, #5708 compressor, OE#E8NN19D629AA	5H14HD, K head, ear mount 2 groove, 5 1/4"(132mm) diameter	E8NN19D629AA 5708	RD-5-9088-0P	75R8332

FORD - NEW HOLLAND

COMPRESSOR CONTINUED ON NEXT PAGE

Model	Description	OEM Part No.	Factory No.	Part No.
-------	-------------	--------------	-------------	----------

FORD - NEW HOLLAND (FNH)

COMPRESSOR - SANDEN

75R81192 RD-5-11241-0P
Model: 7H15 **Head:** WJ **Voltage:** 12
Mount: Ear **Sanden:** 4469, 4603
Clutch: 5 1/4" (132mm) A2 Groove **R134a**



75R81462 RD-5-11315-0P
Model: SD7H15 **Head:** MDA **Voltage:** 12
Mount: Ear **Sanden:** 4646
Clutch: 5 1/4" (132mm) A2 Groove **R-134a**



75R81482 RD-5-11322-0P
Model: 7H15HD **Head:** JDA **Voltage:** 12
Mount: Ear **Sanden:** 4660
Clutch: 4 3/4" (119mm) Poly 8 **R134a**



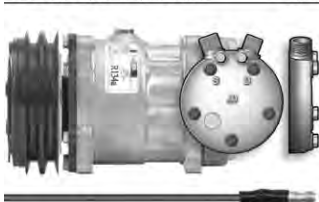
75R8332 RD-5-9088-0P
Model: 5H14 **Head:** K **Voltage:** 12
Mount: Ear **Sanden:** 4536, 6630, 6676
Clutch: 5 1/4" (132mm) A2 Groove **R134a**



75R8382 RD-5-7088-0P
Model: 7H15 **Head:** JD **Voltage:** 12
Mount: Ear **Sanden:** 4509, 4510, 6664
Clutch: 5 1/4" (132mm) A2 Groove **R134a**



75R8384 RD-5-7089-0P
Model: 7H15 **Head:** JD **Voltage:** 24
Mount: Ear
Sanden: 4506, 4507, 6627, 6665, 4271
Clutch: 5 1/4" (132mm) A2 Groove **R134a**



75R84112 RD-5-10259-0P
Model: 7H15SHD **Head:** MD **Voltage:** 12
Mount: Ear **Sanden:** 4478, 4609
Clutch: 6" (152mm) A2 Groove - Sealed **R-134a**



75R84522 RD-5-6919-0P
Model: 7H15SHD **Head:** KC **Voltage:** 12
Mount: Ear **Sanden:** 4637
Clutch: 5 1/4" (133mm) Poly 8 **R134a**



75R84532 RD-5-10291-0P
Model: 7H15SHD **Head:** MD **Voltage:** 12
Mount: Ear **Sanden:** 4617
Clutch: 5 1/4" (132mm) A2 Groove - Sealed **R134a**



75R84552 RD-5-10292-0P
Model: 7H15HD **Head:** CB **Voltage:** 12
Mount: Ear **Sanden:** 4643
Clutch: 5 1/4" (132mm) A2 Groove **R134a**



75R84572 RD-5-10295-0P
Model: 7H15HD **Head:** JD **Voltage:** 12
Mount: Ear **Sanden:** 4665
Clutch: 4.7" (119mm) Poly 7 **R134a**



75R84592 RD-5-11220-0P
Model: 7H15SHD **Head:** GK **Voltage:** 12
Mount: Ear **Sanden:** 4608, 4657, 8108
Clutch: 5 1/2" (138mm) A1 Groove - Sealed **R134a**



**FORD -
 NEW HOLLAND**

OFF-ROAD APPLICATIONS

Model	Description	OEM Part No.	Factory No.	Part No.
-------	-------------	--------------	-------------	----------

FORD - NEW HOLLAND (FNH)

EXPANSION VALVE / BLOCK

All combine and tractor model series with block valve, 2 Ton, OE#329-403, 329-413	Block valve with female O-Ring fittings	329-403 329-413	RD-5-7015-1P	71R8321
Combine / Tractor P396 Series	Block valve with female O-Ring fittings	3901517M1	RD-5-7015-1P	71R8321
Combine TR86, TR96, TR97, TR98 model series with OE#847015	Block valve with female O-Ring fittings with 7/16" schrader port	404146 / EA1090	RD-5-7155-0P	71R8400
Combine TR89, TR99 model series with OE#847015	Block valve with female O-Ring fittings with 7/16" schrader port	404146 / EA1090	RD-5-7155-0P	71R8400
Harvesters / Balewagons 1915, 2115 model series with OE#847015	Block valve with female O-Ring fittings with 7/16" schrader port	404146 / EA1090	RD-5-7155-0P	71R8400
Swathers / Windrowers 1118, 2450, 2550 model series with OE#847015	Block valve with female O-Ring fittings with 7/16" schrader port	404146 / EA1090	RD-5-7155-0P	71R8400
Tractors D6 Series, OE#79840, E1NN-19849A	Block valve with female O-Ring fittings	79840 E1NN-19849A	RD-5-6868-1P	71R8301
Tractors 836, 846, 856, 876, 936, 946, 956, 976, 1156 Versatile Series, 2310 with OE#79840, E1NN-19849A	Block valve with female O-Ring fittings	79840 E1NN-19849A	RD-5-6868-1P	71R8301
Tractors 2610, 2910 with OE#97005763	Block valve with female O-Ring fittings	97005763	RD-5-6868-1P	71R8301

71R8301 RD-5-6868-0P

Inlet: #6 (3/8") Female O-Ring
Outlet: #10 (5/8") Female O-Ring
Evaporator Fittings
In: #8 (1/2") Female O-Ring
Out: #8 (1/2") Female O-Ring
Superheat Rating: 5°F
Pressure Limit: 80 psig @40°F



71R8321 RD-5-7015-0P

High Capacity (2 Ton)
Inlet: #6 (3/8") Female "O" Ring
Outlet: #10 (5/8") Female O-Ring
Evaporator Fittings
In: #8 (1/2") Female O-Ring
Out: #10 (5/8") Female O-Ring
Superheat Rating: 8°F
Pressure Limit: 53.5 psig @75°F



71R8400 RD-5-7155-0P

With 7/16" Schrader Port
Inlet: #6 (3/8") Female O-Ring
Outlet: #10 (5/8") Female O-Ring
Evaporator Fittings
In: #8 (1/2") Female O-Ring
Out: #8 (1/2") Female O-Ring



EXPANSION VALVE / EXTERNAL EQUALIZER

All combine and tractor model series with OE#826-003	Male O-Ring, 1 1/2 Ton, 10" capillary length, 10" equalizer tube length	826-003	RD-5-5862-0P	71R8080
All combine and tractor model series with OE#826-081	External Equalizer, Male flare with 18" capillary length	826-081	RD-4126-1P	71R8050
All combine and tractor model series with OE#9966611	External Equalizer, Male O-Ring with 13" capillary length, 13" equalizer tube length	9966611	RD-5-3824-1P	71R8100
Combine TR70, TR75, TR85 model series with OE#274571	External Equalizer, Male flare with 18" capillary length	274571	RD-4126-1P	71R8050
Combine TR70, TR75, TR85, TR86, TR96, TR97, TR98 model series with OE#80449624	External Equalizer, Male O-Ring with 13" capillary length, 13" equalizer tube length	80449624	RD-5-3824-1P	71R8100
Harvesters / Balewagons 1038, 1078, 1079, 1085 model series with OE#274571	External Equalizer, Male flare with 18" capillary length	274571	RD-4126-1P	71R8050
Swathers / Windrowers 1118, 2450, 2550 model series with OE#247571	External Equalizer, Male flare with 18" capillary length	274571	RD-4126-1P	71R8050
Swathers / Windrowers 4750, 4850 model series with OE#247571	External Equalizer, Male flare with 18" capillary length	274571	RD-4126-1P	71R8050
Tractors FQ 20, 30, 40, 60 model series with OE#D3AH-18949AA	External Equalizer, Male flare with 18" capillary length	D3AH-18949AA	RD-4126-1P	71R8050
Tractors FX 20, 30, 40, 60 model series	External Equalizer, Male O-Ring with 13" capillary length, 13" equalizer tube length		RD-5-3824-1P	71R8100
Tractors TW 10, 15, 20, 25, 30, 35 Series	External Equalizer, Male O-Ring, 1 1/2 Ton, 10" capillary length, 10" equalizer tube length		RD-5-5862-0P	71R8080
Tractors TW 10, 20, 30 model series with OE#D3AH-18949AA	External Equalizer, Male flare with 18" capillary length	D3AH-18949AA	RD-4126-1P	71R8050
Tractors 2600, 3600, 4100, 4600, 5600, 6600 Series, with OE#E7NN-19849A	External Equalizer, Male O-Ring with 13" capillary length, 13" equalizer tube length	E7NN-19849A 80449624	RD-5-3824-1P	71R8100

EXPANSION VALVES CONTINUED ON NEXT PAGE

Model	Description	OEM Part No.	Factory No.	Part No.
-------	-------------	--------------	-------------	----------

FORD - NEW HOLLAND (FNH)

EXPANSION VALVE / EXTERNAL EQUALIZER

Tractors 5610, 6610, 7610, 7710, 8210 Series, with OE#E7NN-19849A	External Equalizer, Male O-Ring with 13" capillary length, 13" equalizer tube length	E7NN-19849A 80449624	RD-5-3824-1P	71R8100
Tractors 7600, 7700, 7710 Series, with OE#D6AH-19849AA	External Equalizer, Male O-Ring with 13" capillary length, 13" equalizer tube length	D6AH-19849AA	RD-5-3824-1P	71R8100
Tractors TW 8000, 9000 model series with OE#D3AH-18949AA	External Equalizer, Male flare with 18" capillary length	D3AH-18949AA	RD-4126-1P	71R8050

71R8050 RD-4126-1P

External Equalizer
Inlet: #6 (1/8") Male Flare
Outlet: #8 (1/2") Male Flare
 Equalizer Tube
Length: 18"
Nut: 1/4" Female Flare
Capillary Tube Length: 18"
Rating: 1 1/2 Ton



71R8080 RD-5-5862-0P

External Equalizer
Inlet: #6 (1/8") Male O-Ring
Outlet: #8 (1/2") Male O-Ring
 Equalizer Tube
Length: 10"
Nut: 1/4" Male O-Ring
Capillary Tube Length: 10"
Rating: 1 1/2 Ton



71R8100 RD-5-3824-1P

External Equalizer
Inlet: #6 (1/8") Male O-Ring
Outlet: #8 (1/2") Male O-Ring
 Equalizer Tube
Length: 13"
Nut: 1/4" Female O-Ring
Capillary Tube Length: 13"
Rating: 1 1/2 Ton



EXPANSION VALVE / INTERNAL EQUALIZER

All combine and tractor model series with OE#D3NN-19849A	Internal equalizer, 1 1/2 Ton, Male O-Ring	D3NN-19849A	RD-5-10445-0P	71R8220
All combine and tractor model series with OE#SFD017844, 826-004	Internal equalizer valve with male O-Ring fittings	SFD017844 826-004	RD-5-11033-0P	71R8060
Tractors 230A, 233, 234, 333, 334, 355 with OE#D8NN-19849A	Internal equalizer with male flare with 9" capillary length, flare fittings	D8NN-19849A	RD-5-6099-0P	71R8210
Tractors 530A, 555A, 655A with OE#D8NN-19849A	Internal equalizer with male flare with 9" capillary length, flare fittings	D8NN-19849A	RD-5-6099-0P	71R8210

71R8060 RD-5-11033-0P

Internal Equalizer
Inlet: #6 (1/8") Male O-Ring
Outlet: #8 (1/2") Male O-Ring
Capillary Tube Length: 12"
Rating: 1 1/2 Ton



71R8210 RD-5-6099-0P

Internal Equalizer
Inlet: #6 (1/8") Male Flare
Outlet: #8 (1/2") Male Flare
Capillary Tube Length: 9"
Rating: 1 1/2 Ton



71R8220 RD-5-10445-0P

Internal Equalizer **LS**
Inlet: #6 (1/8") Male O-Ring
Outlet: #8 (1/2") Male O-Ring
Capillary Tube Length: 12"
Rating: 1 1/2 Ton



OFF-ROAD APPLICATIONS

Model	Description	OEM Part No.	Factory No.	Part No.
FORD - NEW HOLLAND (FNH)				
RECEIVER DRIER				
All combine and tractor model series with OE#085098-00	Male O-Ring with fuse plug, side port, top glass	085098-00	RD-5-4950-1P	74R0907
All combine and tractor model series with OE#48510	Male & Male O-Ring HPRV, MI IN CAP	48510	RD-5-11192-0P	74R2608
All combine and tractor model series with OE#72275275	Male inlet, Female outlet with 2 M10 Ports	72275275	RD-5-10735-1P	74R3157
All combine and tractor model series with OE#402565	Male & Male O-Ring with Fuse Plug, Low Pressure Switch	402565	RD-4160-1P	74R2106
All combine and tractor model series with OE#763787	Hi Cap #6 Male O-Ring with schrader, pressure relief, 3" x 6 1/4"	763787	RD-5-7061-7P	74R2537
Balewagon 1038, 1078, 1079, 1085 series, OE#9827053	with #6 Male O-Ring, 3" x 10", fuse, top port	9827053	RD-5-6504-1P	74R2306
Combines CR920, 940, 960, 970 with male O-Ring, 3" x 8 3/4", hi capacity	Male & Male O-Ring HPRV, MI IN CAP	PH 088193-00	RD-5-11192-0P	74R2608
Combines TR76, TR85, TR86, TR98 series, OE#9827053	with #6 Male O-Ring, 3" x 10", fuse, top port	9827053	RD-5-6504-1P	74R2306
Combines TR87, TR89, TR97, TR99 series, OE#9827050	with #6 Male O-Ring, 3" x 10", fuse, top port, moisture indicator	9827050	RD-5-6768-1P	74R2797
Combines TX66 series, OE#696524	#6 Male O-Ring, 4" x 7 1/2", fuse, side port, moisture indicator	696524 RD-5-7565-0	RD-5-7565-1P	74R3537
Combines / Tractor 7600, 7700, 7710 series with OE#763787	Hi Cap #6 Male O-Ring with schrader, pressure relief, 3" x 6 1/4"	763787	RD-5-7061-7P	74R2537
Combines / Tractor 7600, 7700, 7710 series, OE#9827053	with #6 Male O-Ring, 3" x 10", fuse, top port	9827053	RD-5-6504-1P	74R2306
Harvesters FX25, FX28, FX45, FX58 series, OE#89832539	#6 Male O-Ring, 4" x 7 1/2", fuse, side port, moisture indicator	89832539	RD-5-7565-1P	74R3537
Harvesters 1915, 2115 series, OE#763787	Male & Male O-Ring HPRV, MI IN CAP	763787	RD-5-11192-0P	74R2608
Combine / Tractor P396 Series	with #6 Male to Female O-Ring, 3" x 10 1/4", pressure relief, moisture indicator		RD-5-7292-0P	74R3336
Mower HW30 series, OE#9827050	with #6 Male O-Ring, 3" x 10", pressure relief, top port, moisture indicator	9827050	RD-5-6768-1P	74R2797
Swathers 4750, 4850 series, OE#763787	Male & Male O-Ring HPRV, MI IN CAP	A22-28796-000	RD-5-11192-0P	74R2608
Tractors Gemini 8160, 8260, 8360, 8560 series, OE#9827050	with #6 Male O-Ring, 3" x 10", fuse, top port, moisture indicator	9827050	RD-5-6768-1P	74R2797
Tractors Genesis 8670, 8770, 8870, 8970 series, OE#86507374	with #6 Male to Female O-Ring, 3" x 8 3/4", pressure relief, top port	86507374	RD-5-10583-0P	74R2667
Tractors TG210 - TG285 series	with #6 Male /Female O-Ring (top and bottom), 4" X 7 3/4"	143469-C2	RD-5-11028-1P	74R4027
Tractors 4835, 5635, 6635, 7635, OE#9705765	with #6 Male O-Ring, 3" x 10"	9705765	RD-5-10450-0P	74R3140
Tractors TV140 Bidirectional, OE#80417372	O-Ring Type with #6 male inlet and outlet	80417372	RD-5-11531-0P	74R1427
Tractors Versatile 9282, 9482, 9682, 9882 series, OE#402529	Male & Male O-Ring HPRV, MI IN CAP	PH 088193-00	RD-5-11192-0P	74R2608
Windrowers 1118, 2450, 2550 series, OE#088423-00	Hi Cap #6 Male O-Ring with schrader, pressure relief, 3" x 6 1/4"	088423-00	RD-5-7061-7P	74R2537

FORD -
NEW HOLLAND

RECEIVER DRIER CONTINUED ON NEXT PAGE

Model	Description	OEM Part No.	Factory No.	Part No.
-------	-------------	--------------	-------------	----------

FORD - NEW HOLLAND (FNH)

RECEIVER DRIER

74R0907 2 1/4" diameter x 8" long #6 Male O-Ring Fuse Side Port 	RD-5-4950-1P	74R1427 3" diameter x 9" long #6 Male O-Ring Volvo VN Series OE#20447319 Mack Granite 2013-2014 	RD-5-11531-0P	74R2106 Includes Low Pressure Switch 2 1/4" diameter x 10" long #6 Male O-Ring High Capacity Low Pressure / Pressure Relief Side Port 	RD-4160-1P	74R2306 Includes Moisture Indicator 3" diameter x 10" long #6 Male O-Ring Fuse Top Port 	RD-5-6504-1P
74R3537 Includes Moisture Indicator 4" diameter x 7 1/2" long #6 Male O-Ring High Capacity Fuse Side Port 	RD-5-7565-1P	74R2608 3" diameter x 8 3/8" long #6 Male O-Ring High Capacity Fuse 	RD-5-11192-0P	74R2797 Includes Moisture Indicator 3" diameter x 10 1/4" long #6 Male O-Ring High Capacity Press Relief Top Port 	RD-5-6768-2P	74R3140 3" diameter x 10" long #6 Male O-Ring 	RD-5-10450-0P
74R3157 Includes Moisture Indicator 3" diameter x 8" long #6 Male O-Ring Inlet, #6 Female O-Ring Outlet 2 Schrader Ports Pressure Relief Top Port (2) 	RD-5-10735-1P	74R3336 Includes Moisture Indicator 3" diameter x 10 1/8" long #6 Male O-Ring Inlet, #6 Female O-Ring Outlet High Capacity Pressure Relief 	RD-5-7292-0P	74R2537 3" diameter x 6 1/4" long #6 Male O-Ring (Schrader Port) High Capacity Pressure Relief Side Port 	RD-5-7061-7P	74R4027 Includes Moisture Indicator 4" diameter x 7 3/4" long #6 Female O-Ring Out; #6 Male O-Ring In 	RD-5-11028-1P

THERMOSTATIC SWITCH

All combine and tractor model series with OE#D6NN-19N683B, C	Rotary thermostat with 18" capillary tube, 28 - 62°F	D6NN-19N683B-C	RD-5-4909-0P	71R2100
All combine and tractor model series with OE#1162474-9	Rotary thermostat, 36" capillary tube, 34 - 52°F	1162474-9	RD-4125-36P	71R2250
All combine and tractor model series with OE#D3NN-19618A	Rotary thermostat with 48" capillary tube, 34 - 52°F	D3NN-19618A	RD-4125-48P	71R2300
All combine and tractor model series with OE#D5NN-19N633	Rotary thermostat with 48" capillary tube, 34 - 52°F	D5NN-19N633	RD-4125-48P	71R2300
All combine and tractor model series with OE#FONN-19618AB	Rotary thermostat with 48" capillary tube, 34 - 52°F	FONN-19618AB	RD-4125-48P	71R2300
All combine and tractor model series Red Dot unit R-9787 (Standard), OE#8600262	Thermostat for standard control units, fixed setting with 24" capillary tube, flange/side mt.	8600262	RD-5-4531-24P	71R3200
Combines / Tractor P396 series with Red Dot unit R-9787 (Standard)	Thermostat for standard control units, fixed setting with 24" capillary tube, flange/side mt.	RD-5-4531-24P	RD-5-4531-24P	71R3200

71R2100 	RD-5-4909-0P Capillary Length: 18" Type: Variable Temp. Range: 28°- 62°F Clutch Cycle Range: 6°F	71R2250 	RD-4125-36P Capillary Length: 36" Type: Variable Temp. Range: 34°- 52°F Clutch Cycle Range: 5°F	71R2300 	RD-4125-48P Capillary Length: 48" Type: Variable Temp. Range: 34°- 52°F Clutch Cycle Range: 5°F	71R3200 	RD-5-4531-24P Mounting hole spacing: 2 3/4" Capillary Length: 24" Type: Fixed (side mount) Temp. Range: 31°- 39°F Clutch Cycle Range: 8°F
---	--	---	---	---	---	---	--

OFF-ROAD APPLICATIONS

Model	Description	OEM Part No.	Factory No.	Part No.
-------	-------------	--------------	-------------	----------

IHC CASE

BLOWER MOTOR

All series with Bergstrom A/C, OE#117283-C91	Bergstrom A/C, 12V, single shaft, 1 speed, 4 3/4" length	117283-C91	RD-5-5512-0P	73R0912
All model series with Allis Chalmers OE#117284-C3	All with 3" diameter blower motor, 1 speed, NV, CCW, 3 5/8" length	117284-C3	RD-5-4550-0P	73R0102

73R0102 RD-5-4550-0P



Single Speed
12 Volt
Rotates Counter Clockwise
Field Wound Motor
Stud Mounted, Span 2 5/16"
Dimensions: 3 5/8" x 2 3/4" x 3"
Shaft: 5/16" diameter, Length: 1 3/8"
Non Vented
Connector: One conductor, 14 gauge

73R0912 RD-5-5512-0P



Single Speed
12 Volt
Rotates CCW
Permanent Magnet Motor
Stud Mounted, Span 2 5/16"
Dimensions: 4 3/4" x 4" x 3"
Shaft: 5/16" diameter, Shaft Length: 1 1/2"
Vented - RFI
Connector: Multiple adapters in kit

CLUTCH ASSEMBLY

All series with CCI/York - R12 / 134A compressors, OE#111631C91	2 groove 7" diameter pulley, 12V, 1/2" width, 2" ga, bullet plug	111631C91	RD-5-4994-0P	75R4502
All series with CCI/York - R12 / 134A compressors, OE#165129C91	2 groove 6" diameter pulley, 1/2" width, 1 5/8" ga, bullet plug	165129C91	RD-5-4967-0P	75R0452
All series with Sanden 5H14 R134a compressor, OE#6504-6310	2 groove 1/2" width, 5 1/4" diameter (132mm)	6504-6310	RD-5-10379-0P	75R1542
All series with Sanden SD508 R12/R134a compressors, OE#6514-6210	2 groove 5 1/4" diameter, 1/2" width, (132mm), 1 wire plug	6514-6210	RD-5-5486-0P	75R0202

75R0202 RD-5-5486-0P



Model SDS (508, 510, 5H14)
Diameter: 5 1/4" / 132mm
Groove: 2
Width: 1/2"
12 Volts
B Distance: 1 9/16" / 40mm
Single wire coil
Bare wire

75R0452 RD-5-4967-0P



Diameter: 6"
Groove: 2
Width: 1/2"
12 Volts
B Dimension: 1 5/8"
Single wire coil
Male bullet plug

75R1542 RD-5-10369-0P



OE # 6504-6010
Model 709 / 7H15
Diameter: 5 1/4" / 132mm
Groove: 2
Width: 1/2"
12 Volts
B Distance: 1 9/16" / 40mm
Double wire coil
Ford OE plug

75R4502 RD-5-4994-0P




Diameter: 7"
Groove: 2
Width: 1 1/2"
12 Volts
B Dimension: 2"
Single wire coil
Male bullet plug

COMPRESSOR - GM

GM A6R with Superheat switch port, without oil, OE#1131243	1 groove 1/2" width, 4 7/8" diameter (124mm), generic	1131243	RD-5-5000-0P	75R8102
--	---	---------	--------------	----------------

75R8102 RD-5-5000-0P



GMC A6R, Generic Superheat switch port
5" Single Groove Clutch 12 volt
Pulley with 1/2" - 3/4" variable groove R-12 / R134a
Standard thread mounting holes Clockwise rotation
No Oil

COMPRESSORS CONTINUED ON NEXT PAGE

Model	Description	OEM Part No.	Factory No.	Part No.
-------	-------------	--------------	-------------	----------

IHC CASE

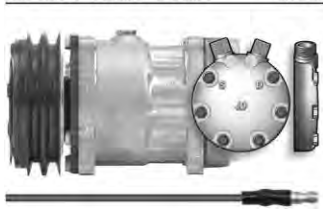
COMPRESSOR - SANDEN

All series with 12V Sanden 7H15HD, OE #4609. IHC-Case OE#1999755C3, 86993462	7H15, MD head, ear mount 2 groove, 6" (152mm) diameter	4609 1999755C3 86993462	RD-5-10259-0P	75R84112
All series with 24V Sanden 7H15HD, OE #4611. IHC-Case 7H15, MD head, ear mount 2 groove, OE#1999760C2, 86983967	7H15, MD head, ear mount 2 groove, 6" (152mm) diameter	4611 1999760C2 86983967	RD-5-11161-0P	75R84114
All series with 12V Sanden 7H15HD, OE #4768. IHC-Case OE#317008A3, 86993463	7H15, MD head, direct mount poly 8, 6" (152mm) diameter	4768 317008A3 86993463	RD-5-11200-0P	75R84592
All series with 24V Sanden 7H15HD, OE #4795. IHC-Case OE#4795, 352524A2, 86983968	7H15, MD head, direct mount poly 8, 6" (152mm) diameter	4795 352524A2 86983968	RD-5-11234-0P	75R81104
All series with Sanden 5H14, #6664 R134a compressors, 12V	5H14, FL head, ear mount, 2A groove, 5 1/4" (132mm) diameter	6664	RD-5-7088-0P	75R8382
All series with Sanden 5H14, #6665 R134a compressors, 24V	5H14-HD, FL head, 2A groove, 5 1/4" (132mm) diameter	6665	RD-5-7089-0P	75R8384

75R81104 RD-5-11234-0P
Model: 7H15SHD **Head:** MD **Voltage:** 24
Mount: Direct **Sanden:** 4300, 4795
Clutch: 6" (152mm) Poly 8 **R134a**



75R8382 RD-5-7088-0P
Model: 7H15 **Head:** JD **Voltage:** 12
Mount: Ear **Sanden:** 4509, 4510, 6664
Clutch: 5 1/4" (132mm) A2 Groove **R134a**



75R8384 RD-5-7089-0P
Model: 7H15 **Head:** JD **Voltage:** 24
Mount: Ear
Sanden: 4506, 4507, 6627, 6665, 4271
Clutch: 5 1/4" (132mm) A2 Groove **R134a**



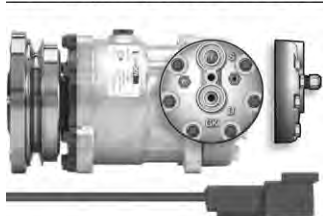
75R84112 RD-5-10259-0P
Model: 7H15SHD **Head:** MD **Voltage:** 12
Mount: Ear **Sanden:** 4478, 4609
Clutch: 6" (152mm) A2 Groove - Sealed **R-134a**



75R84114 RD-5-11161-0P
Model: 7H15SHD **Head:** MD **Voltage:** 24
Mount: Ear **Sanden:** 4611
Clutch: 6" (152mm) A2 Groove - Sealed **R-134a**



75R84592 RD-5-11220-0P
Model: 7H15SHD **Head:** GK **Voltage:** 12
Mount: Ear **Sanden:** 4608, 4657, 8108
Clutch: 5 1/2" (138mm) A1 Groove - Sealed **R134a**



IHC CASE

OFF-ROAD APPLICATIONS

Model	Description	OEM Part No.	Factory No.	Part No.
-------	-------------	--------------	-------------	----------

IHC CASE

RECEIVER DRIER

All combine and tractor model series with OE#085098-00	Male O-Ring with fuse plug, side port, top glass	085098-00	RD-5-4950-1P	74R0907
All combine and tractor model series with OE#088423-00	Hi Cap #6 Male O-Ring with schrader, pressure relief, 3" x 6 1/4"	088423-00	RD-5-7061-7P	74R2537
All combine and tractor model series with OE#111218-C1, 539049-R91, 572832-R91	with #6 Male Flare (top and side), 4" X 6 3/4"	111218-C1 539049-R91 572832-R91	RD-5-6077-1P	74R4017
All combine and tractor model series with OE#118304-C1, 118418-C1	with #6 Male O-Ring (top and side), 4" X 6 3/4"	118304-C1 118418-C1	RD-5-6075-1P	74R4007
All combine and tractor model series with OE#143469-C2, 1990758-C2	with #6 Male /Female O-Ring (top and bottom), 4" X 7 3/4"	143469-C2 1990758-C2	RD-5-11028-1P	74R4027
All combine and tractor model series with OE#402565	Male & Male O-Ring with Fuse Plug, Low Pressure Switch	402565	RD-4160-1P	74R2106

74R0907 RD-5-4950-1P

2 1/2" diameter x 8" long
#6 Male O-Ring
Fuse
Side Port



74R2106 RD-4160-1P

Includes Low Pressure Switch
2 1/4" diameter x 10" long
#6 Male O-Ring
High Capacity
Low Pressure /
Pressure Relief
Side Port



74R2537 RD-5-7061-7P

3" diameter x 6 1/4" long
#6 Male O-Ring
(Schrader Port)
High Capacity
Pressure Relief
Side Port



74R4007 RD-5-6075-1P

4" diameter x 6 3/4" long
#6 Male O-Ring (Top & Side)
Fuse
Side Glass



74R4017 RD-5-6077-1P

4" diameter x 6 3/4" long
#6 Male Flare (Top and side)
Fuse
IHC/Novistar 539049-R91



74R4027 RD-5-11028-1P

Includes Moisture Indicator
4" diameter x 7 3/4" long
#6 Female O-Ring Out;
#6 Male O-Ring In



THERMOSTATIC SWITCH

All combine and tractor model series using clutch cycling switch with OE#1259617-7	Rotary thermostat with 48" capillary tube, 34 - 52°F	1259617-7	RD-4125-48P	71R2300
All combine and tractor model series with OE#109268-C2	Rotary thermostat with 48" capillary tube, 34 - 52°F	109268-C1-C2	RD-4125-48P	71R2300
All combine and tractor model series with OE#1162474-9	Rotary thermostat with 36" capillary tube, 34 - 52°F	1162474-9	RD-4125-36P	71R2250
All combine and tractor model series with OE#175575C-1	Rotary thermostat with 48" capillary tube, 34 - 52°F	175575C-1	RD-4125-48P	71R2300
All combine and tractor model series with OE#175575C91	Rotary thermostat with 36" capillary tube, 34 - 52°F	175575C91	RD-4125-36P	71R2250
All combine and tractor model series with OE#301395-C91	Rotary thermostat with 48" capillary tube, 34 - 52°F	301395-C91	RD-4125-48P	71R2300
All combine and tractor model series with OE#404145	Fixed Setting thermostat with 24" capillary tube, flange mt.	404145	RD-4427-24P	71R3100
All combine and tractor model series with OE#A42623, 70500-C2	Rotary thermostat with 18" capillary tube, 28 - 62°F	A42623 70500-C2	RD-5-4909-0P	71R2100
Backhoe / Loader 580, 580K, L, M, 580 Super M, Turbo, 590, 590 Super M	Rotary thermostat with 18" capillary tube, 35 - 44°F	RD-5-11029-0	RD-5-11029-0P	71R2305

71R2100 RD-5-4909-0P

Capillary Length: 18"
Type: Variable
Temp. Range: 28°- 62°F
Clutch Cycle Range: 6°F



71R2250 RD-4125-36P

Capillary Length: 36"
Type: Variable
Temp. Range: 34°- 52°F
Clutch Cycle Range: 5°F



71R2300 RD-4125-48P

Capillary Length: 48"
Type: Variable
Temp. Range: 34°- 52°F
Clutch Cycle Range: 5°F



71R2305 RD-5-11029-0P

Capillary Length: 73"
Type: Variable
Temp. Range: 35°- 44°F



71R3100 RD-4-4272-4P

Mounting hole spacing: 2 1/4"
Capillary Length: 24"
Type: Fixed
Temp. Range: 34°- 38°F
Clutch Cycle Range: 5°F



Model	Description	OEM Part No.	Factory No.	Part No.
-------	-------------	--------------	-------------	----------

INTERNATIONAL (IHC) / NAVISTAR

BLOWER MOTOR

Combines 715, 815, 915 model series, heater only OE#936489-R91	OE style blower motor (only), 1 speed, 3 3/4" length, 12V non-vented	936489-R91	RD-5-10391-0P	73R0092
Tractors 66 Series, 766 thru 4366, condenser motor, OE#539047-R2	Kysor/Evans (condenser blower), non vented, 12V, 1 speed, CW or CCW, 4 7/8" length	539047-R2	RD-5-3690-1P	73R0532
Tractors 68 series, 1568 thru 4768, condenser motor, OE#RD-5-6526-0	Single shaft motor, (2 reqd), 1 speed, 12V, CW, 4 3/4" length, vented	RD-5-6526-0	RD-5-6526-0P	73R0422
Tractors 86 Series, 786 thru 4786, condenser blower, OE#539047-R2	Kysor/Evans (condenser blower), non vented, 12V, 1 speed, CW, 4 7/8" length	539047-R2	RD-5-3690-1P	73R0532
All Combine / Loader / Tractor model series, blower control, OE#168822-C1	Rotary switch, 3 speed, DP3T, 4 position, 5 terminal	168822-C1	RD-5-10934-0P	71R1163

71R1163

RD-5-10934-0P

3 speed
DP3T
4-position
5 terminals
25 amps



Mounting hole: .442" x .385" - "D" hole

73R0092

RD-5-10391-0P

Single Speed
12 Volt
Rotates Either Direction
Stud Mounted, Span 2 5/16"
Dimensions: 3 3/4" x 2 7/8" x 3"
Shaft: 1/4" diameter, Length: 1 1/2"
Non Vented
Connector: Two conductor, 14 gauge
Supplied with 3/16" adapter



73R0422

RD-5-6526-0P

Single Speed
12 Volt
Rotates CW
Permanent Magnet Motor
Strap/Stud Mounted, Span 2 5/16"
Dimensions: 4 3/4" x 4" x 3"
Shaft: 3/16" diameter, Length: 1 5/8"
Vented
Connector: Two conductor Packard #2984528,
2971859



73R0532

RD-5-3690-1P

Single Speed
12 Volt
Rotates Clockwise
Permanent Magnet Motor
Strap / Stud Mounted, Span 2 5/16"
Dimensions: 4 7/8" x 4" x 3"
Shaft: 3/16" diameter, Length: 1"
Non Vented
Connector: Two conductor with ring terminal



CLUTCH ASSEMBLY

Combines 715, 815, 915 series, CCI/York R210 compressors	2 groove 6" diameter pulley, 1/2" width, 1 3/8" ga, bullet plug	024-25078 MA6 MAE6AR 165338C91	RD-5-4967-0P	75R0452
Combines 1400, 1600 series, CCI/York R210 compressors	2 groove 7" diameter pulley, 12V, 1/2" width, 2" ga, bullet plug	332334 MA 7A 111631-C91 1687801C91	RD-5-4994-0P	75R4502
Combines 1400, 1600 series with Sanden SD510 R12/ R134a compressors	2 groove 5 1/4" diameter, 1/2" width, (132mm), 1 wire plug	6574-6210 6514-6210 576625C91	RD-5-5486-0P	75R0202
Combines 2144, 2166, 2188 series with Sanden SD510 R12/R134a compressors	2 groove 5 1/4" diameter, 1/2" width, (132mm), 1 wire plug	6574-6210 6514-6210 576625C91	RD-5-5486-0P	75R0202
Tractors 66 series 766 thru 4366 series, CCI/York R210 compressors	2 groove 6" diameter pulley, 1/2" width, 1 3/8" ga, bullet plug	024-25078 MA6 MAE6AR 165338C91	RD-5-4967-0P	75R0452
Tractor 68 series 1568 thru 5768, CCI/York R210 compressors	2 groove 7" diameter pulley, 12V, 1/2" width, 2" ga, bullet plug	332334 MA 7A 143405-C91 1687801-C91	RD-5-4994-0P	75R4502
Tractors 86 series thru 4186 series, CCI/York R210 compressors	2 groove 6" diameter pulley, 1/2" width, 1 3/8" ga, bullet plug	024-25078 MA6 MAE6AR 165338C91	RD-5-4967-0P	75R0452
Tractor 86 series 786 thru 4786 except 4186, CCI/York R210 compressors	2 groove 7" diameter pulley, 12V, 1/2" width, 2" ga, bullet plug	332334 MA 7A 143405-C91 1687801-C91	RD-5-4994-0P	75R4502

INTERNATIONAL
(IHC) | NAVISTAR

CLUTCH ASSEMBLY CONTINUED ON NEXT PAGE

OFF-ROAD APPLICATIONS

Model	Description	OEM Part No.	Factory No.	Part No.
-------	-------------	--------------	-------------	----------

INTERNATIONAL (IHC) / NAVISTAR

CLUTCH ASSEMBLY

Tractor 88 series 3388 thru 4788, CCI/York R210 compressors	2 groove 7" diameter pulley, 12V, 1/2" width, 2" ga, bullet plug	332334 MA 7A 143405-C91	RD-5-4994-0P	75R4502
Windrowers 4000, 5000, 5500, 880 series, CCI/York - R210 compressors	2 groove 6" diameter pulley, 1/2" width, 1 5/8" ga, bullet plug	1687801-C91 024-25078 MA6 MAE6AR 165338C91	RD-5-4967-0P	75R0452

75R0202 RD-5-5486-0P

Model SDS (508, 510, 5H14)
Diameter: 5 1/4" / 132mm
Groove: 2
Width: 1/2"
12 Volts
B Distance: 1 9/16" / 40mm



Single wire coil
Bare wire

75R4502 RD-5-4994-0P

Diameter: 7"
Groove: 2
Width: 1/2"
12 Volts
B Dimension: 2"



Single wire coil
Male bullet plug

75R0452 RD-5-4967-0P

Diameter: 6"
Groove: 2
Width: 1/2"
12 Volts
B Dimension: 1 5/8"



Single wire coil
Male bullet plug

ELECTRICAL SWITCH

Combine / Loader / Tractor model series, blower control, OE#168822-C1	Rotary switch, 3 speed, DP3T, 4 position, 5 terminal	168822-C1	RD-5-10934-0P	71R1163
---	--	-----------	---------------	----------------

71R1163 RD-5-10934-0P

3 speed
DP3T
4-position
5 terminals
25 amps



Mounting hole: .442" x .385" - "D" hole

EXPANSION VALVE / BLOCK

Combines 1400, 1600 series with OE#1990756-C1	Block valve with female O-Ring fittings	1990756-C1	RD-5-7015-1P	71R8321
Combines 2100 series with OE#1990756-C2	Block valve with female O-Ring fittings	1990756-C2	RD-5-7015-1P	71R8321

71R8321 RD-5-7015-0P

High Capacity (2 Ton)
Inlet: #6 (3/8") Female "O" Ring
Outlet: #10 (3/8") Female O-Ring
Evaporator Fittings
In: #8 (1/2") Female O-Ring
Out: #10 (3/8") Female O-Ring
Superheat Rating: 8°F
Pressure Limit: 53.5 psig @75°F



Model	Description	OEM Part No.	Factory No.	Part No.
-------	-------------	--------------	-------------	----------

INTERNATIONAL (IHC) / NAVISTAR

EXPANSION VALVE / EXTERNAL EQUALIZER

Combines / Tractor 60C - 90C, 250C, 412B, 431B, 560, 580 series with OE#31134-300	External Equalizer unit with male flare with 18" capillary length	31134-300 RD 4126 1	RD-4126-1P	71R8050
Combines / Tractor 88 series 3388 thru 4788 with OE#1280333-C1	Male O-Ring with 13" capillary length, 13" equalizer tube length	1280333-C1	RD-5-3824-1P	71R8100
Combines / Tractor 3305, 3307, 3309, 3311 series with OE#31134-301	Male O-Ring with 13" capillary length, 13" equalizer tube length	71504287-5	RD-5-3824-1P	71R8100
Combines / Tractor 7211, 7231, 7241, 7251, 7261, 7271AA series with OE#31134-301	Male O-Ring with 13" capillary length, 13" equalizer tube length	71504287-5	RD-5-3824-1P	71R8100
Combines / Tractor D700, D750, D800 series with OE#31134-301	Male O-Ring with 13" capillary length, 13" equalizer tube length	71504287-5	RD-5-3824-1P	71R8100
Combines / Tractor H90E, L175C, TD15C, TD25C, TD25E, series with OE#31134-300	External Equalizer unit with male flare with 18" capillary length	31134-300 RD 4126 1	RD-4126-1P	71R8050
Combines / Tractor TD12, TD15E, TD20E, TD20G, TD25G, TD40, TS24A, B, C series with OE#31134-301	Male O-Ring with 13" capillary length, 13" equalizer tube length	71504287-5	RD-5-3824-1P	71R8100
Windrowers 4000, 5000, 5500, 8800 series with OE#1280333-C1	Male O-Ring with 13" capillary length, 13" equalizer tube length	1280333-C1	RD-5-3824-1P	71R8100

71R8050 RD-4126-1P



External Equalizer
Inlet: #6 (3/8") Male Flare
Outlet: #8 (1/2") Male Flare
 Equalizer Tube
Length: 18"
Nut: 1/4" Female Flare
Capillary Tube Length: 18"
Rating: 1 1/2 Ton

71R8100 RD-5-3824-1P



External Equalizer
Inlet: #6 (1/4") Male O-Ring
Outlet: #8 (1/2") Male O-Ring
 Equalizer Tube
Length: 13"
Nut: 1/4" Female O-Ring
Capillary Tube Length: 13"
Rating: 1 1/2 Ton

PRESSURE SWITCH

All series using high pressure switch, OE#111266C1	High Pressure Switch, normally closed 210psi, opens 340 psi, 1/4" female flare	111266C1	RD-5-5873-0P	71R6070
All series using high pressure switch, OE#92038C1	High Pressure Switch, normally open 250psi, close 375 psi, 1/4" female flare	92038C1	RD-5-8289-0P	71R6230

71R6070 RD-5-5873-0P



Type: High Side
 Fitting / Connector: 1/4" female flare
 Normally Closed - Closes at 210 PSI -
 Opens at 340 PSI

71R6230 RD-5-8289-0P



Type: High Side
 Fitting / Connector: 1/4" female flare / two-conductor
 Packard male/female
 Normally Open - Closes at 375 PSI - Opens at 250 PSI

OFF-ROAD APPLICATIONS

Model	Description	OEM Part No.	Factory No.	Part No.
-------	-------------	--------------	-------------	----------

INTERNATIONAL (IHC) / NAVISTAR

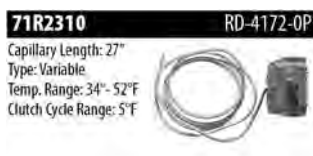
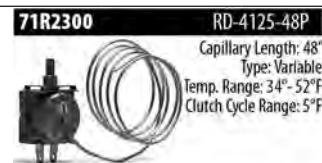
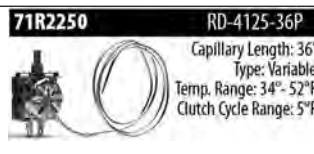
RECEIVER DRIER

Combines 715, 815, 915 series, OE#539049R-1	#6 Male Flare (top and side), 4" X 6 3/4"	539049R-1	RD-5-6077-1P	74R4017
Combines 1420, 1440, 1460, 1480 series, OE#539049R-1	#6 Male Flare (top and side), 4" X 6 3/4"	539049R-1	RD-5-6077-1P	74R4017
Combines 1620, 1640, 1660, 1670, 1680, 1688 series, OE#143469C-2	#6 Male /Female O-Ring (top and bottom), 4" X 7 3/4"	143469C-2	RD-5-11028-1P	74R4027
Combines 2144, 2166, 2188 series, OE#143469C-2	#6 Male /Female O-Ring (top and bottom), 4" X 7 3/4"	143469C-2	RD-5-11028-1P	74R4027
Tractors 66 Series except 4366 series, OE#539049C-1	#6 Male Flare (top and side), 4" X 6 3/4"	539049C-1	RD-5-6077-1P	74R4017
Tractors 68 Series except 4568 series, OE#539049C-1	#6 Male Flare (top and side), 4" X 6 3/4"	539049C-1	RD-5-6077-1P	74R4017
Tractors 86 Series except 4586, 4786 series, OE#539049C-1	#6 Male Flare (top and side), 4" X 6 3/4"	539049C-1	RD-5-6077-1P	74R4017
Tractors 88 Series except 3388, 3788, 8588 series, OE#539049C-1	#6 Male Flare (top and side), 4" X 6 3/4"	539049C-1	RD-5-6077-1P	74R4017
Windrowers 4000, 5000, 5500, 8800 series, OE#143469C-2	#6 Male /Female O-Ring (top and bottom), 4" X 7 3/4"	143469C-2	RD-5-11028-1P	74R4027



THERMOSTATIC SWITCH

All series using clutch cycling switch with OE#70500C2	Rotary thermostat, 27" capillary, 34°-52°F, clutch cycle range 5°F	70500C2	RD-4172-0P	71R2310
Combine / Loader / Tractor model series with OE#109268C2	Rotary thermostat with 48" capillary tube, 34 - 52°F	109268C2	RD-4125-48P	71R2300
Combine / Loader / Tractor model series, blower control, OE#168822-C1	Rotary switch, 3 speed, DP3T, 4 position, 5 terminal	168822-C1	RD-5-10934-0P	71R1163
Combine / Loader / Tractor series clutch cycling switch, OE#175575C1	Rotary thermostat, 36" capillary tube, 34 - 52°F	175575C1	RD-4125-36P	71R2250
Combines / Tractor D700, D750, D800 series	Rotary thermostat, 36" capillary tube, 34 - 52°F	026476-9	RD-4125-36P	71R2250
Combines / Tractor L175C series	Rotary thermostat, 36" capillary tube, 34 - 52°F	026476-9	RD-4125-36P	71R2250
Combines / Tractor TD12, TD15C, TD15E, TD20E, TD20G, TD25C, TD25E, TD25G series	Rotary thermostat, 36" capillary tube, 34 - 52°F	026476-9	RD-4125-36P	71R2250
Combines / Tractor TS24A, TS24B, TS24C series	Rotary thermostat with 18" capillary tube, 28 - 62°F	A42623	RD-5-4909-0P	71R2100
Combines / Tractor 60C, 70C, 80C, 90C, 250C series	Rotary thermostat, 36" capillary tube, 34 - 52°F	026476-9	RD-4125-36P	71R2250
Combines / Tractor 560, 580 series	Rotary thermostat with 48" capillary tube, 34 - 52°F	RD-4125-48 0272229-6	RD-4125-48P	71R2300
Combines / Tractor 3305, 3307, 3309, 3311 series with Red Dot A/C, OE#RD-4226-0	Cable controlled thermostat, 30" capillary tube, 34 - 54°F	RD-4226-0	RD-4226-0P	71R2700
Combines / Tractor 7221, 7231, 7241, 7251, 7261 series with Red Dot A/C, OE#RD-4226-0	Cable controlled thermostat, 30" capillary tube, 34 - 54°F	RD-4226-0	RD-4226-0P	71R2700



Model	Description	OEM Part No.	Factory No.	Part No.
-------	-------------	--------------	-------------	----------

JOHN DEERE

BLOWER - FAN

All Loader / Tractor model series with remote mount condenser, OE#RD-5-8641-0	Pancake fan assembly, (puller) 12V	RD-5-8641-0	RD-5-8641-0P	RD-5-8641-0P
All Loader / Tractor model series with remote mount condenser, OE#RD-5-8641-1	Pancake fan assembly, (puller) 24V	RD-5-8641-1	RD-5-8641-1P	RD-5-8641-1P
Backhoe Loader 344G, 444G with Red Dot model R-10036-0 (24V), puller fan OE#RD-5-8641-1	Pancake fan assembly, (puller) 24V	RD-5-8641-1	RD-5-8641-1P	RD-5-8641-1P
Backhoe Loader 344E, 444E with Red Dot A/C unit R-10025-1, OE#RD-5-7123-0	Fan Blade - Red Dot A/C, 8" diameter, CW, aluminum	RD-5-7123-0	RD-5-13533-0P	73R8081
Backhoe Loader 544E, 624E, 644E, 924E Series with Red Dot model R-10150, puller fan OE#RD-5-8641-0	Pancake fan assembly, (puller) 12V	RD-5-8641-0	RD-5-8641-0P	RD-5-8641-0P
Crawler Dozer 750C, 850C with OE#RD3133-9	Fan Blade - Red Dot A/C, Bergstrom, Kysor, 6" diameter, CW, plastic	RD3133-9	RD-3133-9P	73R8050
Wheel Loader 304H, 324H, 344H with Red Dot A/C unit R-9777 Condenser, OE#RD-5-9076-2	Fan / blower assembly, 12V, single speed, 13" x 3 3/4"	RD-5-9076-2	RD-5-9076-2P	73R8642
Wheel Loader 544H, 544G, 624G, 644G with Red Dot A/C unit R-10151-0P Condenser, OE#RD-5-8703-2	Fan / blower assembly, 12V, CW, single speed, 10 3/8" x 2"	RD-5-8703-2	RD-5-8703-2P	73R8562

73R8050 RD-3133-9P

6" Diameter



73R8081 RD-5-13533-0P

8" Diameter



73R8562 RD-5-8703-2P

Single Speed Puller
12 Volt
Rotates Clockwise
Permanent Magnet Motor
mounted with Shroud & Fan
Dimensions:
10 3/8" diameter x 2" thick
Height: 11 1/2"



73R8642 RD-5-9076-2P

Single Speed
12 Volt
Rotates Counter Clockwise
Permanent Magnet Motor



BLOWER - FAN RESISTOR

Excavators 110, 120, 160LC with Red Dot A/C, OE#RD-5-3647-0P	Blower Resistor, Red Dot A/C units, 3 terminal, 3 speed	RD-5-3647-0	RD-5-3647-0P	71R1450
Backhoe Loader / Tractor 310E, 410E, 510E, 710E with Red Dot A/C	Fan speed resistor for standard control units	RD-5-8923-0P	RD-5-8923-0P	71R1465
Crawler Dozer 450H, 550H, 650H with Red Dot A/C unit R-9475-0, OE#RD-5-8665-0	Ceramic tube style resistor, (black), 4 terminal, 12V, 6 1/2" length x 1 3/8" diam	RD-5-8665-0	RD-5-8665-0P	71R1485
Crawler Dozer 700H with Red Dot A/C, OE#RD-5-9062-0	Ceramic tube style resistor, (white), 4 terminal, 12V, 7" length x 1 1/4" diam	RD-5-9062-0	RD-5-9062-0P	71R1480
Wheel Loaders 304H with Red Dot A/C models R-1400, R-1620, R-2550, R-2820, R-9777	Blower assembly fan resistor, 3 speed, 4 terminal	20604004 RD-5-9437-0	RD-5-9437-0P	71R1402

71R1402 RD-5-9437-0P

3 Speed
4 Terminals
22 Amps
Fits
73R5552
73R5622



71R1450 RD-5-3647-0P

3 Terminals (1/4" blade) / 3 Speeds
Bakelite base: 2 3/4" x 1 1/2" x .10" thick - Height: 1"



71R1465 RD-5-8923-0P

4 Terminals (1/4" blade) / 3 Speeds
Bakelite base: .10" thick



71R1480 RD-5-9062-0P

4 Terminals (1/4" blade) /
Variable Speed 24 volt, 5.22 ohm,
Length: 7",
Diameter: 1 1/4",
Mounting
Height: 2 3/4",
Ceramic (white)



71R1485 RD-5-8665-0P

4 Terminals (1/4" blade) /
Variable Speed 12 volt, 2.36 ohm,
Length: 6 1/2",
Diameter: 1 3/8",
Ceramic (black wrapped)
JD Crawler
Dozer 650H



OFF-ROAD APPLICATIONS

JOHN DEERE

Model	Description	OEM Part No.	Factory No.	Part No.
JOHN DEERE				
BLOWER MOTOR				
All Loader / Tractor model series with OE#AR45856	All with 3 1/4" diameter blower motor, 1 speed, 4" length, 12V, Rev. direction	AR45856	RD-5-10390-0P	73R0212
All Loader / Tractor model series with OE#AR49962	12V, single shaft, 1 speed, 4 3/4" length	AR49962	RD-5-5512-0P	73R0912
All Loader / Tractor model series, OE#RE37152	12V, single shaft, 1 speed, 4" x 3 1/2" x 3"	RE37152	RD-5-10379-0P	73R0012
All Loader / Tractor model series, OE#275140	12V, single shaft, 1 speed, CCW, 4 5/8" length	275140	RD-5-10389-0P	73R0372
All Loader / Tractor model series remote mount condenser (12V), OE#RD-5-5120-0	Single shaft motor (condenser motor), 12V, NV, 4 7/8" length	RD-5-5120-0	RD-5-5120-0P	73R0512
All Loader / Tractor model series remote mount condenser (24V), OE#RD-5-5120-24	Single shaft motor (condenser motor), 24V, 4 7/8" length	RD-5-5120-24	RD-5-5120-24P	73R0514
Backhoe Loader 310E, 410E, 510E, 710E with Red Dot A/C unit R-9450-3, OE#RD-5-8126-0	Double shaft motor, 12V, 1 speed, 5 5/8" length, shaft length 2 7/8"	RD-5-8126-0	RD-5-8126-0P	73R4242
Backhoe Loader 344E, 444E with Red Dot A/C unit R-10025-0 (12V), OE#RD-5-5121-0	Double shaft motor (evaporator motor), 12V, 4 13/16" length	RD-5-5121-0	RD-5-5121-0P	73R4252
Backhoe Loader 344E, 444E with Red Dot A/C unit R-10025-1 (24V), OE#RD-5-5120-24	Single shaft motor (condenser motor), 24V, 4 13/16" length	RD-5-5120-24	RD-5-5120-24P	73R0514
Backhoe Loader 344G, 444G with Red Dot A/C unit R-10036-0 (24V), OE#RD-5-4827-24	Single shaft motor (evaporator motor), 24V, 5" x 4" x 3" length	RD-5-4827-24	RD-5-4827-24P	73R0404
Backhoe Loader 490E, 690E, 790E, 892E with Red Dot A/C unit R-10035, OE#RD-5-3780-24	Double shaft motor, 3 speed, 24V, 4" x 3 13/32" x 3" length	RD-5-3780-24	RD-512742-2P	RD-5-12742-2P
Combines 3300, 4400, 4420, 4425, 4435, 4435 Hydro, 6600, 6602, 6620, 6622, 7700, 7720, 7722, 8820, 9400, 9500, 9600	Kysor/Evans (condenser roof mount blower), single speed, NV, 12V, 1 speed, CW, 4 7/8" length	AR82005	RD-5-3690-1P	73R0532
Crawler Dozer 450H, 550H, 650H with Red Dot A/C unit R-9475-0, OE#RD-3-9290-0	Blower assembly, 12V, single speed, 18 1/2" x 7 1/2" x 6 1/2"	RD-3-9290-0	RD-3-9290-0P	73R5632
Crawler Dozer 700H with Red Dot A/C unit R-9475-0-24, OE#RD-3-9290-24	Blower assembly, 24V, single speed, 18 1/2" x 7 1/2" x 6 1/2"	RD-3-9290-24	RD-3-9290-24P	73R5634
Crawler Dozer 750C, 850C with Red Dot A/C unit R-10003-0-24, OE#RD-3133-4-24	Single shaft motor (evaporator motor), 2 speed, 24V, 3 5/8" length	RD-3133-4-24 RD-5-10491-24	RD-5-10491-24P	73R0034
Excavator 110, 120, 160LC, 200, 450LC with Red Dot A/C unit R-10034-0P, OE#RD-5-5049-2	Double shaft motor, 24V, 1 speed, 5 1/4" length, shaft length 2 7/8"	RD-5-5049-2	RD-5-5049-2P	73R4424
Loader / Tractor 792D, 992E with Red Dot A/C unit R-10035, OE#RD-5-3780-24	Double shaft motor, 3 speed, 24V, 4" x 3 13/32" x 3" length	RD-5-3780-24	RD-5-12742-2P	RD-5-12742-2P
Loader / Tractor 4000 thru 7040 series with 1 3/4" single shaft motor, OE#AR49962	Bergstrom - Kysor A/C, single shaft, 1 3/4" shaft length, 12V, 1 speed, CW, 4 5/8" length	AR49962 1183560 BSM205620 275130	RD-5-10905-0P	73R0442
Tractor 20 series (condenser blower) 4020, 4320, 4520, 4620, 5020, 7020, 7520	Kysor/Evans (condenser blower), single speed, NV, 12V, 1 speed, CW, 4 7/8" length	AR82005	RD-5-3690-1P	73R0532
Tractor 20 series (evaporator blower) 4020, 4320, 4520, 4620, 5020, 7020, 7521	Double shaft motor, single speed, 4 3/4" x 4" x 3", shaft 2 1/2" length	AR62497	RD-5-5190-0P	73R4162
Tractor 30 series without Sound Guard Cab 4020, 4320, 4520, 4620, 5020, 7020, 7521	Double shaft motor, single speed, 4 3/4" x 4" x 3", shaft 2 1/2" length	AR62497	RD-5-5190-0P	73R4162
Tractor 4000 series	Double shaft motor, single speed, 4 3/4" x 4" x 3", shaft 2 1/2" length	AR62497	RD-5-5190-0P	73R4162
Wheel Loader 304H, 324H, 344H with Red Dot A/C unit R-9777 evaporator	Evaporator motor / blower assembly with resistor, 12V, 13 3/4" x 5 3/8" x 5 1/8"	RD-5-8583-0	RD-5-8583-0P	73R5552
Wheel Loader 304H, 324H, 344H with Red Dot A/C unit R-10500 evaporator, OE#RD-5-8583-0	Evaporator blower assembly with resistor, 12V, 13 3/4" x 5 3/8" x 5 1/8"	RD-5-8583-0	RD-5-8583-0P	73R5552

BLOWER MOTOR CONTINUED ON NEXT PAGE

Model	Description	OEM Part No.	Factory No.	Part No.
-------	-------------	--------------	-------------	----------

JOHN DEERE

BLOWER MOTOR

73R0012 RD-5-10379-0P

Single Speed
12 Volt
Rotates Either Direction
Stud Mounted, Span $2\frac{3}{16}$ "
Dimensions: $4" \times 3\frac{1}{2}" \times 3"$
Shaft: $\frac{3}{16}$ " diameter, Length: $1\frac{1}{4}"$
Vented
Connector: Two conductor, 14 gauge



73R0034 RD-5-10491-24P

Two Speed - 24 Volt
Rotates Clockwise
Field Wound Motor
Stud Mounted, Span $2\frac{3}{16}$ "
Dimensions: $3\frac{3}{4}" \times 2\frac{1}{4}" \times 3"$
Shaft: $1/4"$ diameter, Length: $\frac{11}{16}"$
Non Vented
Connector:
Ring Terminal, two conductor with ground



73R0212 RD-5-10390-0P

Single Speed
12 Volt
Rotates Either Direction
Stud Mounted, Span $2\frac{3}{16}$ "
Dimensions: $4" \times 3\frac{3}{8}" \times 3"$
Shaft: $\frac{3}{16}$ " diameter, Length: $1\frac{1}{2}"$
Non Vented
Connector: Two conductor, 14 gauge



73R0372 RD-5-10389-0P

Single Speed
12 Volt



73R0404 RD-5-7038-0P

Single Speed
24 Volt
Rotates Counter Clockwise
Permanent Magnet Motor
Stud Mounted, Span $2\frac{3}{16}$ "
Dimensions: $4\frac{1}{4}" \times 4" \times 3"$
Shaft: $5/16"$ diameter, Length: $1\frac{3}{4}"$
Vented



73R0442 RD-5-10905-0P

Single Speed
12 Volt
Rotates CW
Permanent Magnet Motor
Stud Mounted, Span $2\frac{3}{16}$ "
Dimensions: $4\frac{3}{8}" \times 4\frac{1}{4}" \times 3"$
Shaft: $\frac{5}{16}"$ diameter, Length: $1\frac{3}{4}"$
Vented
Connector: Two conductor Packard
 $\frac{1}{4}"$ blade terminal #2973781



73R0512 RD-5-5120-0P

Single Speed
12 Volt
Rotates CW
Permanent Magnet Motor
Strap/Stud Mounted, Span $2\frac{3}{16}$ "
Dimensions: $4\frac{7}{8}" \times 4" \times 3"$
Shaft: $\frac{3}{16}"$ diameter, Length: $1\frac{1}{8}"$
Non Vented
Connector: Two conductor Packard $\frac{1}{4}"$ blade terminal



73R0514 RD-5-5120-24P

Single Speed
24 Volt
Rotates Clockwise
Permanent Magnet Motor
Strap / Stud Mounted, Span $2\frac{3}{16}$ "
Dimensions: $4\frac{7}{8}" \times 4" \times 3"$
Shaft: $\frac{3}{16}"$ diameter, Length: $\frac{11}{16}"$
Non Vented



73R0532 RD-5-3690-1P

Single Speed
12 Volt
Rotates Clockwise
Permanent Magnet Motor
Strap / Stud Mounted, Span $2\frac{3}{16}$ "
Dimensions: $4\frac{7}{8}" \times 4" \times 3"$
Shaft: $\frac{3}{16}"$ diameter, Length: $1"$
Non Vented
Connector: Two conductor with ring terminal



73R0912 RD-5-5512-0P

Single Speed
12 Volt
Rotates Ccw
Permanent Magnet Motor
Stud Mounted, Span $2\frac{3}{16}$ "
Dimensions: $4\frac{3}{8}" \times 4" \times 3"$
Shaft: $\frac{3}{16}"$ diameter, Shaft Length: $1\frac{1}{2}"$
Vented - RFI
Connector: Multiple adapters in kit



73R4162 RD-5-5190-0P

Single Speed
12 Volt
Permanent Magnet Motor
Stud Mounted, Span $2\frac{3}{16}$ "
Dimensions: $4\frac{7}{8}" \times 4" \times 3"$
Shafts: $\frac{3}{16}"$ diameter, length: $2\frac{1}{2}"$
Vented
Connector: Two conductor spade terminal



73R4242 RD-5-8126-0P

Single Speed
12 Volt
Permanent Magnet Motor
Strap / Stud Mounted, Span $2\frac{3}{16}$ "
Dimensions: $5\frac{3}{16}" \times 4\frac{1}{2}" \times 3"$
Shafts: $\frac{3}{16}"$ diameter, length: $2\frac{1}{8}"$
Vented



73R4252 RD-5-5121-0P

Single Speed
12 Volt
Permanent Magnet Motor
Strap / Stud Mounted, Span $2\frac{3}{16}$ "
Dimensions: $4\frac{3}{16}" \times 4" \times 3"$
Shafts: $\frac{3}{16}"$ diameter, length: $3\frac{3}{8}"$
Vented
Connector: Two conductor Packard #8900420, $\frac{1}{4}"$ blade



73R4424 RD-5-5049-2P

Single Speed
24 Volt
Permanent Magnet Motor
Strap / Stud Mounted, Span $2\frac{3}{16}$ "
Dimensions: $5\frac{5}{16}" \times 4\frac{1}{2}" \times 3"$
Shafts: $\frac{3}{16}"$ diameter, length: $2\frac{3}{4}"$
Vented
Connector: Two conductor Packard #2984528
 $1/4"$ blade terminal



73R5552 RD-5-8583-0P

Three Speed - 619 CFM
12 volt - $13\frac{1}{4}" \times 5\frac{3}{4}" \times 5\frac{1}{8}"$



73R5632 RD-3-9290-0P

Single Speed
800 CFM - 12 volt - $18\frac{1}{2}" \times 7\frac{1}{2}" \times 6\frac{1}{2}"$
Use on Red Dot Models: R-9475-0



73R5634 RD-3-9290-24P

Single Speed
800 CFM - 24 volt - $18\frac{1}{2}" \times 7\frac{1}{2}" \times 6\frac{1}{2}"$
Use on Red Dot Models: R-9475-0-24



BLOWER RELAY

All Loader / Tractor model series with Bosch relay, OE#0332-209-169	Bosch type (30 amp), SPST, 5 terminals	0332-209-169	RD-5-4408-0P	71R1702
All Loader / Tractor model series with Hella relay, OE#960-388-25	Hella type, SPST, 5 terminals	960-388-25	RD-5-4408-0P	71R1702

71R1702 RD-5-4408-0P

12V Relay, 30/20 amps, SPDT, 5 terminals Bosch type



JOHN DEERE

OFF-ROAD APPLICATIONS

Model	Description	OEM Part No.	Factory No.	Part No.
-------	-------------	--------------	-------------	----------

JOHN DEERE

BLOWER SWITCH

All Loader / Tractor model series with OE#RD-5-10934-0	Rotary switch, 3 speed, DP3T, 4 position, 5 terminal	RD-5-10934-0 71195109	RD-5-10934-0P	71R1163
--	--	--------------------------	---------------	----------------

71R1163 RD-5-10934-0P

3 speed
DP3T
4-position
5 terminals
25 amps



Mounting hole: .442" x .385" - "D" hole

BLOWER WHEEL

Backhoe Loader 344G, 444G with Red Dot A/C unit R-10036-0, OE#RD-5-7312-0	Red Dot A/C, single entry, 3 1/16" diameter x 2 1/2" width, CCW	RD-5-7312-0	RD-5-7312-0P	73R6300
---	---	-------------	--------------	----------------

Loader / Tractor 792D, 992E with Red Dot A/C unit R-10035, OE#RD-5-5656-0	Red Dot A/C, double entry, 3 3/16" diameter x 3 3/16" width	D2AZ-19834-A	RD-5-5656-0P	73R7000
---	---	--------------	--------------	----------------

73R6300 RD-5-7312-0P

3 1/16" diameter, 2 1/2" width
5/16" bore diameter
Hub inset: Flat
Counter Clockwise Rotation
Steel



73R7000 RD-5-5656-0P

3 3/16" diameter, 3 1/16" width
5/16" bore diameter
Hub inset: 1 1/8"
Dual Rotation
Plastic



CLUTCH ASSEMBLY

All series with CCI/York - R12 / 134A compressors OE#AH79301	2 groove 6" diameter pulley, 1/2" width, 1 5/8" ga, bullet plug	AH79301	RD-5-4967-0P	75R0452
--	---	---------	--------------	----------------

All series with CCI/York - R12 / 134A compressors, OE#AH85847	2 groove 7" diameter pulley, 12V, 1/2" width, 2" ga, bullet plug	AH85847	RD-5-4994-0P	75R4502
---	--	---------	--------------	----------------

All series with Sanden SD508 compressors, OE#6514-6210	2 groove 5 1/4" (132mm) diameter pulley, 1/2" width, 1 wire	6514-6210	RD-5-5486-0P	75R0202
--	---	-----------	--------------	----------------

All series with Sanden SD7H15HD R134a compressor, OE #6504-6310	2 groove 1/2" width, 5 1/4" diameter (132mm)	6504-6310	RD-5-10379-0P	75R1542
---	--	-----------	---------------	----------------

Combines 4400, 4420, 4425, 4435, 4435 Hydro, 6600, 6602, 6620, 6622, 7700 with CCI/York compressor	2 groove 6" diameter pulley, 1/2" width, 1 5/8" ga, bullet plug	AH79301	RD-5-4967-0P	75R0452
--	---	---------	--------------	----------------

Combines 4400, 4420, 4425, 4435, 4435 Hydro, 6600, 6602, 6620, 6622, 7700 with CCI/York compressor	2 groove 6" diameter pulley, 1/2" width, 1 5/8" ga, weatherpak plug	024 25190 03-1104973 501939	RD-5-4972-1P	75R1202
--	---	-----------------------------------	--------------	----------------

Combines 4400, 4420, 4425, 4435, 4435 Hydro, 6600, 6602, 6620, 6622, 7700 with CCI/York compressor	2 groove 7" diameter pulley, 12V, 1/2" width, 2" ga, bullet plug	AH85847	RD-5-4994-0P	75R4502
--	--	---------	--------------	----------------

Excavator 110, 120, 160LC with Red Dot A/C unit R-9500-0-24, R-10034-0P, Sanden SD5 R-12 compressors	2 groove, 24V, 5 1/4" (132mm) diameter pulley, 1/2" width, 1 wire	6519-6210 6514-6210	RD-5-5487-0P	75R0204
--	---	------------------------	--------------	----------------

Wheel Loader 304H with Red Dot A/C unit R-9777-1, Seltec TM15 compressors	Single groove 6 1/4" (159mm), variable width, bullet plug	511051 RD-5-10723-0	RD-5-10723-0P	75R0262
---	---	------------------------	---------------	----------------

Wheel Loader 324H, 344H with Red Dot A/C unit R-9777-1, Seltec TM15 compressors	Poly 8 groove 4 3/4" (123mm), bullet plug	RD-5-10544-0	RD-5-10544-0P	75R0082
---	---	--------------	---------------	----------------

Wheel Loader 444H, 544H, 624H with Red Dot A/C unit R-10060-4P, Sanden SD5 R-12 compressors	2 groove, 24V, 5 1/4" (132mm) diameter pulley, 1/2" width, 1 wire	6519-6210 6514-6210	RD-5-5487-0P	75R0204
---	---	------------------------	--------------	----------------

Wheel Loader 544G, 624G, 644G with Red Dot A/C drop-in evaporator kit R-10151-0P, Sanden SD5 R-12 compressors	2 groove 5 1/4" diameter, 1/2" width, (132mm), 1 wire plug	6574-6210 6514-6210	RD-5-5486-0P	75R0202
---	--	------------------------	--------------	----------------

CLUTCH ASSEMBLY CONTINUED ON NEXT PAGE

Model	Description	OEM Part No.	Factory No.	Part No.
-------	-------------	--------------	-------------	----------

JOHN DEERE

CLUTCH ASSEMBLY

75R0082 RD-5-10544-0P

Diameter: 4 ⁷/₁₆" / 123mm
Groove: Poly 8
Width: .14"
12 Volts
B Dimension: 1 ¹/₁₆" / 34 mm



Single wire coil
Male bullet plug

75R0202 RD-5-5486-0P

Model SD5 (508, 510, 5H14)
Diameter: 5 ¹/₄" / 132mm
Groove: 2
Width: ¹/₂"
12 Volts
B Distance: 1 ⁹/₁₆" / 40mm



Single wire coil
Bare wire

75R0204 RD-5-5487-0P

Model SD5 (508, H14)
Diameter: 5 ¹/₄" / 132mm
Groove: 2
Width: ¹/₂"
24 Volts
B Distance: 1 ⁹/₁₆" / 40mm



Single wire coil
Male bullet plug

75R0262 RD-5-10723-0P

Model: Seltec - TM15
Diameter: 4.9" / 125mm
Groove: 2
Width: ¹/₂"
12 Volts
B Dimension: 1 ⁹/₁₆" / 40 mm



Single wire coil
Male bullet plug

75R0452 RD-5-4967-0P

Diameter: 6"
Groove: 2
Width: ¹/₂"
12 Volts
B Dimension: 1 ⁵/₈"



Single wire coil
Male bullet plug

75R4502 RD-5-4994-0P

Diameter: 7"
Groove: 2
Width: 1/2"
12 Volts
B Dimension: 2"



Single wire coil
Male bullet plug

75R1202 RD-5-4972-1P

OE #501939, MAE-6AR
Diameter: 6"
Groove: 2
Width: ¹/₂"
12 Volts
B Dimension: 1 ⁵/₈"
Single wire coil with diode
Weatherpak plug



75R1542 RD-5-10369-0P

OE # 6504-6010
Model 709 / 7H15
Diameter: 5 ¹/₄" / 132mm
Groove: 2
Width: ¹/₂"
12 Volts
B Distance: 1 ⁹/₁₆" / 40mm
Double wire coil
Ford OE plug



75R4502 RD-5-4994-0P

Diameter: 7"
Groove: 2
Width: 1/2"
12 Volts
B Dimension: 2"



Single wire coil
Male bullet plug

COMPRESSOR - GM

All series with GM A6 with Superheat switch port, without oil, OE#1131243

1 groove ¹/₂" width, 4 ⁷/₈" diameter (124mm), generic

1131243
0259362-2
509170-C91

RD-5-5000-0P

75R8102

75R8102 RD-5-5000-0P

GMC A6R, Generic Superheat switch port
5" Single Groove Clutch 12 volt
Pulley with ¹/₂" - ³/₄" variable groove R-12 / R134a
Standard thread mounting holes Clockwise rotation
No Oil



JOHN DEERE

OFF-ROAD APPLICATIONS

Model	Description	OEM Part No.	Factory No.	Part No.
-------	-------------	--------------	-------------	----------

JOHN DEERE

COMPRESSOR - ICE SELTEC

All series with ICE/Seltec TM21HD, OE#488-47244	TM21HD, J head, direct mount, poly 8, 5 1/2" (141mm) diameter	488-47244	RD-5-12530-1P	75R86142Q
All series with ICE/Seltec TM21HD 24V, OE#488-47246	TM21HD, 24V, J head, direct mount, poly 8, 5 1/2" (141mm) diameter	488-47246	RD-5-13118-0P	RD-5-13118-0P
Wheel Loader 304H with Red Dot A/C unit R-9777-1, Seltec TM15, #488-45075, 2521168 R134a compressors	ICE-Seltec TM15, C head, ear mount, 2 groove, 5"(125mm)	488-45075 2521168	RD-5-9609-10P	75R85032Q
Wheel Loader 324H, 344H with Red Dot A/C unit R-9777-1, Seltec TM15, #488-45122, 2521266 R134a compressors	ICE-Seltec TM15, A head, ear mount, poly 8, 4 3/4"(123mm)	488-45122 2521266	RD-5-10429-1P	75R86132Q

75R85032Q	RD-5-9609-9P
Model: QP-15HD	Head: C
Mount: Ear	ICE: 2521168 Seltec: 488-45075
Clutch: 5" (125mm) 2 Groove	R134a

75R86132Q	RD-5-10429-1P
Model: QP-15HD	Head: A
Mount: Ear	ICE: 2521266 Seltec: 488-45122
Clutch: 4 3/4" (123mm) Poly 8	R134a

75R86142Q	RD-5-12530-1P
Model: QP-21HD	Head: J
Mount: Direct	ICE: 2521562 Seltec: 435-67256, 488-47244
Clutch: 5 1/2" (141mm) Poly 8	R134a



COMPRESSOR - SANDEN

Backhoe Loaders 444H with Sanden 5H14HD, #4537, 6634 R134a compressors, 24V	5H14-HD, K head, ear mount, 2A groove, 5 1/4" (132mm) diameter	4537 6634	RD-5-8680-0P	75R8354
Excavators 110, 120, 160LC with Sanden 5H14HD, #6665 R134a compressors, 24V	5H14-HD, FL head, ear mount, 2A groove, 5 1/4" (132mm) diameter	6665	RD-5-7089-0P	75R8384
Wheel Loaders 744E with Sanden 5H14HD, #6665 R134a compressors, 24V	5H14-HD, FL head, ear mount, 2A groove, 5 1/4" (132mm) diameter	6665	RD-5-7089-0P	75R8384
Wheel Loaders 444H, 544H, 624H with Red Dot drop-in evap kit, Sanden 5H14HD, #4537, 6634 R134a compressors, 24V	5H14-HD, K head, ear mount, 2A groove, 5 1/4" (132mm) diameter	4537 6634	RD-5-8680-0P	75R8354
Wheel Loader 544G, 624G, 644G with Red Dot drop-in evap kit, Sanden 5H14HD, #6664 R134a compressors, 12V	5H14-HD, FL head, ear mount, 2A groove, 5 1/4" (132mm) diameter	6664	RD-5-7088-0P	75R8382

75R8354	RD-5-8680-0P
Model: SD7H15	Head: KG
Mount: Ear	Sanden: 4537, 6634, 4269
Clutch: 5 1/4" (132mm) A2 Groove	

75R8382	RD-5-7088-0P
Model: 7H15	Head: JD
Mount: Ear	Sanden: 4509, 4510, 6664
Clutch: 5 1/4" (132mm) A2 Groove	R134a

75R8384	RD-5-7089-0P
Model: 7H15	Head: JD
Mount: Ear	Sanden: 4506, 4507, 6627, 6665, 4271
Clutch: 5 1/4" (132mm) A2 Groove	R134a



Model	Description	OEM Part No.	Factory No.	Part No.
-------	-------------	--------------	-------------	----------

JOHN DEERE

COMPRESSOR MANIFOLD

Backhoe Loader 310G, 310SG, 410G	Top discharge with oil bypass, #8 and #10 Male Insert O-Ring fittings		RD-5-11151-0P	75R8920
Wheel Loader 304H	Rear Port Adapter, head type A, Horizontal Male O-Ring, 3/4" x 7/8"		RD-5-8010-0P	75R8505
Wheel Loader 324H, 344H	Rear Port Adapter, head type B, Vertical Female O-Ring, 3/4" x 7/8"		RD-5-9611-0P	75R8507
Wheel Loader 544G, 544H, 624G, 624H, 644G, 644H, 772CH, 824J	Top discharge with oil bypass, #8 and #10 Male Insert O-Ring fittings		RD-5-11152-0P	75R8921

75R8505 RD-5-8010-0P

Head Type A
Horizontal Male O-Ring
3/4" X 7/8"



75R8507 RD-5-9611-0P

Head Type B
Vertical Female O-Ring
3/4" X 7/8"



75R8920 RD-5-11151-0P

Top discharge with oil bypass, #8 and #10 Male Insert O-Ring fittings



75R8921 RD-5-11152-0P

Rear discharge, #8 and #10 Male Insert O-Ring fittings



CONDENSER

Excavators 110, 120, 160LC	Radiator Mount, Tube & Fin type, 21 1/2" fin width x 26 1/2" x 1 1/4"	RD-4-4968-0	RD-4-4968-0P	77R7100
Wheel Loaders 444H, 544H, 624H with Red Dot A/C unit R-10060-4	Serpentine type, fin width 31 19/32" x 8 1/2" x 2"	RD-4-5146-1	RD-4-5146-1P	77R0570
Wheel Loader 544G, 624G, 644G with Red Dot A/C unit R-10150-0, -1	Radiator Mount, Tube & Fin type, 21 5/8" fin width x 12 1/2" x 2 7/8"	RD-4-4724-1	RD-4-4724-1P	77R7005
Wheel Loader 744E	Radiator Mount, Tube & Fin type, 21 5/8" fin width x 12 1/2" x 2 7/8"	RD-4-4724-1	RD-4-4724-1P	77R7005

77R7005 RD-4-4724-1P

Tube & Fin Type Fits
Overall Width: 24"
Fin Width: 21 5/8"
Height: 12 1/2"
Thickness: 2 7/8"



77R0570 RD-4-5146-1P

Serpentine Coil Type
Overall Width: 32 19/16"
Fin Width: 31 19/32"
Height: 8 1/2"
Thickness: 2"



77R7100 RD-4-4968-0P

Tube & Fin Type
Overall Width: 28 1/16"
- Two Row
Fin Width: 21 1/2"
Height: 26 1/2"
Thickness: 1 1/4"



ELECTRICAL SWITCH

All Loader / Tractor model series using clutch cycling switch with OE#AR49960	Rotary thermostat, 36" capillary tube, 34 - 52°F	AR49960	RD-4125-36P	71R2250
All Loader / Tractor model series with OE#RD-5-10934-0	Rotary switch, 3 speed, DP3T, 4 position, 5 terminal	RD-5-10934-0 71195109	RD-5-10934-0P	71R1163
All Loader / Tractor model series with OE#AH80197	Rotary thermostat with 48" capillary tube, 34 - 52°F	AH80197	RD-4125-48P	71R2300
All Loader / Tractor model series with OE#AR59779	Rotary thermostat, 36" capillary tube, 34 - 52°F	AR59779	RD-4125-36P	71R2250
Wheel Loader 544E, 624E, 644E series using clutch cycling switch with OE#70500C2	Rotary thermostat, 27" capillary, 34°-52°F, clutch cycle range 5°F	70500C2	RD-4172-0P	71R2310

71R1163 RD-5-10934-0P

3 speed
DP3T
4-position
5 terminals
25 amps



71R2250 RD-4125-36P

Capillary Length: 36"
Type: Variable
Temp. Range: 34°- 52°F
Clutch Cycle Range: 5°F



71R2300 RD-4125-48P

Capillary Length: 48"
Type: Variable
Temp. Range: 34°- 52°F
Clutch Cycle Range: 5°F



71R2310 RD-4172-0P

Capillary Length: 27"
Type: Variable
Temp. Range: 34°- 52°F
Clutch Cycle Range: 5°F



Mounting hole: .442" x .385" - "D" hole

OFF-ROAD APPLICATIONS

Model	Description	OEM Part No.	Factory No.	Part No.
-------	-------------	--------------	-------------	----------

JOHN DEERE

EVAPORATOR

Backhoe Loader 310E, 310G, 310SG, 410E, 410G, 510E, 710E with Red Dot A/C unit R-9450-3	Dimensions: 8 1/2" height x 13" length x 3 13/32" width	RD-2-2780-0	RD-2-2780-0P	76R6655
Crawler Dozer 450H, 550H, 650H with Red Dot A/C unit R-9475-0	Dimensions: 6 3/4" height x 23 1/2" length x 3 13/32" width	RD-2-2897-0	RD-2-2897-0P	76R7715
Crawler Dozer 700H with Red Dot A/C unit R-9475-0-24	Dimensions: 6 3/4" height x 23 1/2" length x 3 13/32" width	RD-2-2897-0	RD-2-2897-0P	76R7715
Excavators 110, 120, 160LC with Red Dot A/C unit R-9500-0-24	Dimensions: 8 3/4" height x 15 3/4" length x 3 1/2" width	RD-2-3008-0	RD-2-3008-0P	76R7030
Wheel Loader 304H, 324H, 344H with Red Dot A/C unit R-9777-1	Dimensions: 6 1/8" height x 17 1/2" length x 2 5/8" width	RD-2-3413-0	RD-2-3413-0P	76R5820
Wheel Loaders 444H, 544H, 624H with Red Dot A/C unit R-10060-4	Dimensions: 10" height x 15 1/2" length x 3 3/4" width	RD-2-3395-0	RD-2-3395-0P	76R7580
Wheel Loader 544G, 624G, 644G with Red Dot A/C drop-in unit R-10150-0, -1	Dimensions: 6 1/8" height x 22" length x 2 3/4" width	RD-2-2495-0	RD-2-2495-0P	76R6550

76R5820 RD-2-3413-0P

6 1/8" high x 17 1/2" long x 2 5/8" wide



76R6550 RD-2-2495-0P

6 3/4" high x 22" long x 2 3/4" wide



76R6655 RD-2-2780-0P

8 1/2" high x 13" long x 3 13/32" wide



76R7030 RD-2-3008-0P

8 3/4" high x 15 3/4" long x 3 1/2" wide



76R7715 RD-2-2897-0P

6 3/4" high x 23 1/2" long x 3 13/32" wide



76R7580 RD-2-3395-0P

10" high x 15 1/2" long x 3 3/4" wide



EXPANSION VALVE

All Loader / Tractor model series with OE#RE57575	Block valve with female O-Ring fittings	RE57575	RD-5-6868-1P	71R8301
All Loader / Tractor model series with OE#AH122867	Block valve with female O-Ring fittings	AH122867	RD-5-7015-1P	71R8321
All Loader / Tractor model series with Red Dot A/C unit R-10035-1thru 4, OE#RE57575	Block valve with female O-Ring fittings	RE57575	RD-5-6868-1P	71R8301
Backhoe Loader / Tractor 310D, 344E, 410D, 444E, 510D with Red Dot A/C unit R-10011-0, -1, R-10025-1	Block valve with female O-Ring fittings	RE57575	RD-5-6868-1P	71R8301
Backhoe Loader / Tractor 310E with Red Dot A/C unit R-10011-0, -1, R-10025-1	Block valve with female O-Ring fittings	RE57575	RD-5-6868-1P	71R8301
Backhoe Loader / Tractor 310E, 410E, 410G, 510E, 710E with Red Dot A/C unit R-9450-3	Block valve with female O-Ring fittings	RD-5-8100-0	RD-5-8100-0P	71R8423
Combines 9400, 9500, 9600 series with OE#AH137702	Block valve with female O-Ring fittings	AH122867 AH137702	RD-5-7015-1P	71R8321
Combines 9410, 9450, 9510, 9550, 9600, 9610, 9650, 9750 series with Red Dot A/C unit R-10011-0, -1, R-10025-1	Block valve with female O-Ring fittings	RE57575	RD-5-6868-1P	71R8301
Combines 9410, 9450, 9510, 9550, 9600, 9610, 9650, 9750 series with OE#AH137702	Block valve with female O-Ring fittings	AH122867 AH137702	RD-5-7015-1P	71R8321
8 Cotton Pickers 9900, 9910, 9920, 9930, 9940, 9950, 9960, 9965 series with OE#AH137702	Block valve with female O-Ring fittings	AH122867 AH137702	RD-5-7015-1P	71R8321
Crawler Dozer 450H, 550H, 650H, 700H with Red Dot A/C unit R-9475-0, R-9475-0-24	Block valve with female O-Ring fittings	RD-5-8100-0	RD-5-8100-0P	71R8423
Excavators 110, 120, 160LC, 200, 450LC with Red Dot A/C unit R-9500-0-24, R-10034-0	Block valve with female O-Ring fittings	329-403 329-413	RD-5-7015-1P	71R8321
Harvesters 6650, 6750, 6850, 6950 series with OE#RE57575	Block valve with female O-Ring fittings	RE57575	RD-5-6868-1P	71R8301

EXPANSION VALVES CONTINUED ON NEXT PAGE

Model	Description	OEM Part No.	Factory No.	Part No.
-------	-------------	--------------	-------------	----------

JOHN DEERE

EXPANSION VALVE

Sprayers 6000, 6100, 6500, 6600, 6700 series with OE#AH137702	Block valve with female O-Ring fittings	AH122867 AH137702	RD-5-7015-1P	71R8321
Tractors 10 Series, 6010, 6110, 6210, 6310, 6410 models with OE#RE57575	Block valve with female O-Ring fittings	RE57575	RD-5-6868-1P	71R8301
Tractors 10 Series, 7010, 7210, 7410, 7610, 7710, 7810 models with OE#RE57575	Block valve with female O-Ring fittings	RE57575	RD-5-6868-1P	71R8301
Tractors 10 Series, 8010, 8110, 8110T, 8210, 8210T, 8310, 8310T models with OE#RE57575	Block valve with female O-Ring fittings	RE57575	RD-5-6868-1P	71R8301
Wheel Loaders 304H, 324H, 344H with Red Dot A/C unit R-9777-1, OE#RD-5-9513-0	Block valve, Hi - capacity (2 ton), O-Ring fittings	RD-5-9513-0	RD-5-9513-0P	71R8380
Wheel Loaders 444H, 544G, 544H, 624G, 624H, 644G with Red Dot A/C unit R-10060-4, R-10151-0, -1	Block valve with female O-Ring fittings	329-403 329-413	RD-5-7015-1P	71R8321
Windrowers / Sprayers 4700, 4710, 4890, 4990 series with OE#RE57575	Block valve with female O-Ring fittings	RE57575	RD-5-6868-1P	71R8301

71R8301 RD-5-6868-0P

Inlet: #6 (3/8") Female O-Ring
Outlet: #10 (3/4") Female O-Ring
Evaporator Fittings
In: #8 (1/2") Female O-Ring
Out: #8 (1/2") Female O-Ring
Superheat Rating: 5°F
Pressure Limit: 80 psig @40°F



71R8321 RD-5-7015-0P

High Capacity (2 Ton)
Inlet: #6 (3/8") Female "O" Ring
Outlet: #10 (3/4") Female O-Ring
Evaporator Fittings
In: #8 (1/2") Female O-Ring
Out: #10 (3/4") Female O-Ring
Superheat Rating: 8°F
Pressure Limit: 53.5 psig @75°F



71R8380 RD-5-9513-0P

Anti-trumpeting (2 Ton)
Inlet: #6 (3/8") Female O-Ring
Outlet: #10 (3/4") Female O-Ring
Evaporator Fittings
In: #8 (1/2") Female O-Ring
Out: #10 (3/4") Female O-Ring
Superheat Rating: 8°F
Pressure Limit: 53.5 psig @75°F



71R8423 RD-5-8100-0P

(2 Ton)
Inlet: #6 (3/8") Plate (Flange) Mount
Outlet: #12 (5/8") Plate (Flange) Mount
Evaporator Fittings
In: #8 (1/2") Plate (Flange) Mount
Out: #10 (3/4") Plate (Flange) Mount
Superheat Rating: 5.5°F
Pressure Limit: 53.3 psig @90°F



OFF-ROAD APPLICATIONS

JOHN DEERE

Model	Description	OEM Part No.	Factory No.	Part No.
-------	-------------	--------------	-------------	----------

JOHN DEERE

EXPANSION VALVE / EXTERNAL EQUALIZER

All Loader / Tractor model series with OE#AL28688, AR58482, RE13886	Male O-Ring with 13" capillary length, 13" equalizer tube length	AL28688 AR58482 RE13886	RD-5-3824-1P	71R8100
All Loader / Tractor model series with OE#826-003	Male O-Ring, 1 ½ Ton, 10" capillary length, 10" equalizer tube length	826-003	RD-5-5862-0P	71R8080
All Loader / Tractor model series with OE#AH80191	External Equalizer unit with male flare with 18" capillary length	AH80191	RD-4126-1P	71R8050
Combines 7700, 7720, 8820 series with OE#AR58482	Male O-Ring, 1 ½ Ton, 10" capillary length, 10" equalizer tube length	AR58482	RD-5-5862-0P	71R8080
Cotton Pickers 9900, 9910, 9920, 9930, 9940, 9950, 9960, 9965 series with OE#AR58482	Male O-Ring, 1 ½ Ton, 10" capillary length, 10" equalizer tube length	AR58482	RD-5-5862-0P	71R8080
Tractors 10 Series, 6010, 6110, 6210, 6310, 6410 models with OE#AR58482	Male O-Ring, 1 ½ Ton, 10" capillary length, 10" equalizer tube length	AR58482	RD-5-5862-0P	71R8080
Tractors 10 Series, 7010, 7210, 7410, 7610, 7710, 7810 models with OE#AR58482	Male O-Ring, 1 ½ Ton, 10" capillary length, 10" equalizer tube length	AR58482	RD-5-5862-0P	71R8080
Tractors 20 Series, 4020, 4320, 4520, 4620, 5020, 7020, 7520 models with OE#AR58482	Male O-Ring, 1 ½ Ton, 10" capillary length, 10" equalizer tube length	AR58482	RD-5-5862-0P	71R8080
Tractors 40 Series, 4040, 4240, 4440, 4640, 4840 models with OE#AR58482	Male O-Ring, 1 ½ Ton, 10" capillary length, 10" equalizer tube length	AR58482	RD-5-5862-0P	71R8080
Tractors 50 Series, 4050, 4250, 4450, 4650, 4850 models with OE#AR58482	Male O-Ring, 1 ½ Ton, 10" capillary length, 10" equalizer tube length	AR58482	RD-5-5862-0P	71R8080
Tractors 55 Series, 2955, 3055, 3155, 3255, 4055, 4255, 4455, 4755, 4955 models with OE#AR58482	Male O-Ring, 1 ½ Ton, 10" capillary length, 10" equalizer tube length	AR58482	RD-5-5862-0P	71R8080
Tractors 60 Series, 4560, 4760, 4960 models with OE#AR58482	Male O-Ring, 1 ½ Ton, 10" capillary length, 10" equalizer tube length	AR58482	RD-5-5862-0P	71R8080
Tractors 80 Series, 8430, 8440, 8630, 8640 models with OE#AH140818	Male O-Ring with 13" capillary length, 13" equalizer tube length	AH140818	RD-5-3824-1P	71R8100
Wheel Loader 344G, 444G with Red Dot A/C unit R-10036-0	Male O-Ring with 13" capillary length, 13" equalizer tube length	AL28688 AR58482 RE13886	RD-5-3824-1P	71R8100
Windrowers / Sprayers 4700, 4710, 4890, 4990 series with OE#AH137702	Male O-Ring, 1 ½ Ton, 10" capillary length, 10" equalizer tube length	AH137702	RD-5-5862-0P	71R8080

71R8080 RD-5-5862-0P

External Equalizer
Inlet: #6 (1/8") Male O-Ring
Outlet: #8 (1/2") Male O-Ring
 Equalizer Tube
Length: 10"
Nut: 1/2" Male O-Ring
Capillary Tube Length: 10"
Rating: 1 1/2 Ton



71R8050 RD-4126-1P

External Equalizer
Inlet: #6 (3/8") Male Flare
Outlet: #8 (1/2") Male Flare
 Equalizer Tube
Length: 18"
Nut: 1/2" Female Flare
Capillary Tube Length: 18"
Rating: 1 1/2 Ton



71R8100 RD-5-3824-1P

External Equalizer
Inlet: #6 (1/8") Male O-Ring
Outlet: #8 (1/2") Male O-Ring
 Equalizer Tube
Length: 13"
Nut: 1/2" Female O-Ring
Capillary Tube Length: 13"
Rating: 1 1/2 Ton



EXPANSION VALVE / INTERNAL EQUALIZER

All Loader / Tractor model series with OE#826-004	Internal equalizer valve with male O-Ring fittings	826-004	RD-5-11033-0P	71R8060
All Loader / Tractor model series with OE#826-012	Internal equalizer, 1 ½ Ton, Male O-Ring	826-012	RD-5-10445-0P	71R8220
Tractors 30 Series, 4030, 4230, 4430, 4630, 6030 models with OE#AR49961	Internal equalizer, 1 ½ Ton, Male Flare	AR49961	RD-5-6099-0P	71R8210

71R8060 RD-5-11033-0P

Internal Equalizer
Inlet: #6 (1/8") Male O-Ring
Outlet: #8 (1/2") Male O-Ring
Capillary Tube Length: 12"
Rating: 1 1/2 Ton



71R8210 RD-5-6099-0P

Internal Equalizer
Inlet: #6 (3/8") Male Flare
Outlet: #8 (1/2") Male Flare
Capillary Tube Length: 9"
Rating: 1 1/2 Ton



71R8220 RD-5-10445-0P

Internal Equalizer **LS**
Inlet: #6 (1/8") Male O-Ring
Outlet: #8 (1/2") Male O-Ring
Capillary Tube Length: 12"
Rating: 1 1/2 Ton



EXPANSION VALVES CONTINUED ON NEXT PAGE

Model	Description	OEM Part No.	Factory No.	Part No.
-------	-------------	--------------	-------------	----------

JOHN DEERE

EXPANSION VALVE / ORIFICE TUBE

All Loader / Tractor model series with OE#RE24958	GM type, CCOT (White) Orifice Tube with accumulator system, main unit	RE24958	RD-5-4919-0P	71R8500
Tractors 60 Series, 8560, 8760, 8960 models with OE#RE51969	Ford type, CCOT (Brown) Orifice Tube with accumulator system, main unit	RE51969	RD-5-10013-0P	71R8506
Tractors 70 Series, 8570, 8770, 8870, 8970 models with OE#RE51969	Ford type, CCOT (Brown) Orifice Tube with accumulator system, main unit	RE51969	RD-5-10013-0P	71R8506
Tractors 8000 Series, 8100, 8200, 8300, 8400 models with OE#RE51969	Ford type, CCOT (Brown) Orifice Tube with accumulator system, main unit	RE51969	RD-5-10013-0P	71R8506
Tractors 9000 Series, 9100, 9200, 9300, 9400 models with OE#RE51969	Ford type, CCOT (Brown) Orifice Tube with accumulator system, main unit	RE51969	RD-5-10013-0P	71R8506

71R8500 RD-5-4919-1P

White - Length: 3.485", O.D.: .386", Orifice: .071"



71R8506 RD-5-10013-1P

Brown - Length: 3.46", O.D.: .429", Orifice: .047"



FILTER

Backhoe Loader / Tractor 310E, 410E, 510E, 710E with Red Dot A/C unit R-9450-3	Fresh air frame filter, 14 1/2" x 5" x 2 1/4"	873878	RD-5-8105-0P	78R5315
Backhoe Loader / Tractor 310E, 410E, 510E, 710E with Red Dot A/C unit R-9450	Recirculating (unframed foam element), 14 3/4" x 3 1/2" x 1/2"	RD-5-8106-0	RD-5-8106-0P	78R5375
Excavators 110, 120, 160LC with Red Dot A/C unit R-9500	Fresh air frame filter, 17 1/2" x 5 1/2" x 3/8"	97026234	RD-5-8076-1P	78R5360M

78R5360M RD-5-8076-1P

17 1/2" wide x 5 1/2" high x 3/8" thick



78R5315 RD-5-8105-0P

14 1/2" wide x 5" high x 2 1/4" thick



HEATER

Backhoe Loader 310E, 410E, 510E, 710E with Red Dot A/C unit R-9450-3	Core: 10 7/64" high x 13" long x 2 5/32" wide	RD-1-1370-0	RD-1-1370-0P	76R3455
Crawler Dozer 450H, 550H, 650H, 700H with Red Dot A/C unit R-9475	Core: 6 7/64" high x 23 29/64" long x 1 1/2" wide	RD-1-1478-0	RD-1-1478-0P	76R4200

76R3455 RD-1-1370-0P

10 7/64" high x 13" long x 2 5/32" wide



76R4200 RD-1-1478-0P

6 7/64" high x 23 29/64" long x 1 1/2" wide



OFF-ROAD APPLICATIONS

JOHN DEERE

Model	Description	OEM Part No.	Factory No.	Part No.
-------	-------------	--------------	-------------	----------

JOHN DEERE

PRESSURE SWITCH

All Loader / Tractor model series with OE#AR45868	High Pressure Fan switch with M10 threads, opens 300 psi, closes 250psi	AR45868	RD-5-8287-0P	71R6210
Backhoe Loader / Tractor 310D, 410D, 510D with Red Dot A/C unit R-10011-0, -1	Binary 3/16"-20 UNF female, Schrader type valve	RD 5 4640 0	RD-5-4640-0P	71R7050
Backhoe Loaders 310E, 410E, 510E, 710E with Red Dot A/C, OE#RD-5-8982-0	Low pressure, normally open, metripak connector	RD-5-8982-0	RD-5-8982-0P	71R6055
Backhoe Loader 344E, 444E with Red Dot A/C unit R-10025-1	Binary 3/16"-20 UNF female, Schrader type valve	RD 5 4640 0	RD-5-4640-0P	71R7050
Backhoe Loader 344G, 444G with Red Dot model R-10036-0	Binary 3/16"-20 UNF female, Schrader type valve	RD 5 4640 0	RD-5-4640-0P	71R7050
Backhoe Loader 490E, 690E, 790E, 792D, 892E, 992E, with Red Dot A/C unit R-10035	Binary 3/16"-20 UNF female, Schrader type valve	RD 5 4640 0	RD-5-4640-0P	71R7050
Backhoe Loader / Tractor 544E, 624E, 644E with Red Dot A/C unit R-10150	All with Fujikoki binary sw with 3/16"-20, 4 terminal	A22-36474-000	RD-5-8433-0P	71R7075
Crawler Dozer 450H, 550H, 650H, 700H with Red Dot A/C unit R-9475	Low pressure, normally open, metripak connector	RD-5-8982-0	RD-5-8982-0P	71R6055
Excavators 110, 120, 160LC, 200, 450LC with Red Dot A/C unit R-10034-0	Binary 3/16"-20 UNF female, Schrader type valve	RD 5 4640 0	RD-5-4640-0P	71R7050
Wheel Loader 304H, 324H, 344H with Red Dot R-10050 model evaporator	Dual function switch (GM), Open: low 20-33, high 315-355, Closed: low 23-37, high 215-275	RD-5-9577-0	RD-5-9577-0P	71R6150
Wheel Loader 444H, 544H, 624H with Red Dot A/C unit R-10060, OE#RD-5-4640-0	Binary 3/16"-20 UNF female, Schrader type valve	RD 5 4640 0	RD-5-4640-0P	71R7050
Wheel Loader 544G, 624G, 644G with Red Dot A/C, OE#RD-5-4640-0	Binary 3/16"-20 UNF female, Schrader type valve	RD 5 4640 0	RD-5-4640-0P	71R7050
Wheel Loader 744E with Red Dot A/C unit R-10040-0	Binary 3/16"-20 UNF female, Schrader type valve	RD 5 4640 0	RD-5-4640-0P	71R7050

71R6055 RD-5-8982-0P
 Type: Low Side
 Fitting / Connector: 1/4" female flare / two-conductor Metripak
 Normally Open - closes at 50 PSI, opens at 25 PSI



71R6150 RD-5-9577-0P

	OPEN	CLOSED
LOW	20-33	23-37
HIGH	315-355	215-275

Thread: M10 x 1.25



71R6210 RD-5-8287-0P
 Type: High Side - Gray
 Fitting / Connector: M10 x 1.25 female / two-conductor male Weatherpak
 Normally Closed - Closes at 250 PSI - Opens at 300 PSI



71R7050 RD-5-4640-0P
 3/16"-20 UNF-2B Female Thread for Installation on Male Schrader Type Valve.



71R7075 RD-5-8433-0P

	OPEN	CLOSED
LOW	± 2	28
HIGH	± 28	384

Thread: 3/16"-20 UNF
 Orange Fan Switch



Model	Description	OEM Part No.	Factory No.	Part No.
JOHN DEERE				
RECEIVER DRIER				
All Loader / Tractor model series with OE#AH114865, AT125596, AT151981, AT162848, AT63170	#6 Male O-Ring to #6 Female O-Ring, 4" x 8", moisture indicator	AH114865 AT125596 AT151981 AT162848 AT63170	RD-5-9055-1P	74R4207
All Loader / Tractor model series with OE#AR59780, AR74486, RE49169, AL77581, AR79486	In Line drier with #6 Female to Male O-Ring, 4" x 8"	AR59780 AR74486 RE49169 AL77581 AR79486	RD-5-8862-1P	74R0401
All Loader / Tractor model series with OE#RD-5-11028-0	with #6 Male /Female O-Ring (top and bottom), 4" X 7 3/4"	RD-5-11028-0	RD-5-11028-1P	74R4027
All Loader / Tractor model series with OE#RE79486	with #6 Male Flare (top and side), 4" X 6 3/4"	RE79486	RD-5-6077-1P	74R4017
All Wheel Loader series with Red Dot A/C, OE#RD-5-6504-0	with #6 Male O-Ring, 3" x 10", fuse, top port	RD-5-6504-0	RD-5-6504-1P	74R2306
Backhoe Loader / Tractor 310E, 310G, 310SG, 410E, 410G, 510E, 710E series with OE#RD-5-9055-0	#6 Male O-Ring to #6 Female O-Ring, 4" x 8", moisture indicator	RD-5-9055-0	RD-5-9055-1P	74R4207
Backhoe Loader / Tractor 544E, 624E, 644E with Red Dot A/C unit R-10150	In-line, #6 Male O-Ring, 2 1/2" x 9 5/8"	088411-01	RD-5-7064-1P	74R0462
Combines 3300, 4400, 4420, 4425, 4435, 6600, 6620, 7700, 7720, 8820 with OE#RE49169	In Line drier with #6 Female to Male O-Ring, 4" x 8"	RE49169	RD-5-8862-1P	74R0401
Combines 4445, 7440, 7445, 7721, 7772, 9400, 9410, 9450, 9500, 9510, 9550, 9600, 9610, 9650, 9750, 9930, 9950	#6 Male O-Ring to #6 Female O-Ring, 4" x 8", moisture indicator	AH114865 AT162848	RD-5-9055-1P	74R4207
Construction Series	#6 Male O-Ring to #6 Female O-Ring, 4" x 8", moisture indicator	RD-5-9055-0	RD-5-9055-1P	74R4207
Cotton Pickers 9900, 9910, 9920, 9930, 9940, 9950, 9960, 9965 series with OE#RE49169	Horizontal mount, in Line drier with #6 Female to Male O-Ring, 4" x 8"	RE49169	RD-5-8862-1P	74R0401
Cotton Pickers 9900, 9910, 9920, 9930, 9940, 9950, 9960, 9965 series with OE#RE49169	Vertical mount, #6 Male O-Ring to #6 Female O-Ring, 4" x 8", moisture indicator	AH114865 AT162848	RD-5-9055-1P	74R4207
Crawler Dozer 450H, 550H, 650H, 700H with Red Dot A/C unit R-9475	#6 Male O-Ring to #6 Female O-Ring, 4" x 8", moisture indicator	RD-5-9055-0	RD-5-9055-1P	74R4207
Excavators 110, 120, 160LC with Red Dot A/C unit R-9500	#6 Male O-Ring, 2 3/4" x 9 5/8", hi capacity, pressure relief	RD-5-7062-1	RD-5-7062-1P	74R1826
Sprayers 4700, 4710 series with OE#RE49169	In Line drier with #6 Female to Male O-Ring, 4" x 8"	RE49169	RD-5-8862-1P	74R0401
Sprayers 6000, 6100, 6500, 6600, 6700, 6800, 6900 series with OE#RE49169	In Line drier with #6 Female to Male O-Ring, 4" x 8"	RE49169	RD-5-8862-1P	74R0401
Tractors 10 series, 6010, 6110, 6210, 6310, 6410 with OE#RE49169	In Line drier with #6 Female to Male O-Ring, 4" x 8"	RE49169	RD-5-8862-1P	74R0401
Tractors 10 Series, 7010, 7210, 7410, 7610, 7710, 7810 models with OE#RE49169	In Line drier with #6 Female to Male O-Ring, 4" x 8"	RE49169	RD-5-8862-1P	74R0401
Tractors 10 Series 8000, 8110, 8110T, 8210, 8210T, 8310, 8310T models	#6 Male O-Ring to #6 Female O-Ring, 4" x 8", moisture indicator	AH114865 AT162848	RD-5-9055-1P	74R4207
Tractors 30 Series, 4030, 4230, 4430, 4630, 6030, 8430, 8630 models with OE#RE49169	In Line drier with #6 Female to Male O-Ring, 4" x 8"	RE49169	RD-5-8862-1P	74R0401
Tractors 40 Series, 4040, 4240, 4440, 4640, 4840, 8440, 8640 models with OE#RE49169	In Line drier with #6 Female to Male O-Ring, 4" x 8"	RE49169	RD-5-8862-1P	74R0401
Tractors 50 Series, 4050, 4250, 4450, 4650, 4850 models with OE#RE49169	In Line drier with #6 Female to Male O-Ring, 4" x 8"	RE49169	RD-5-8862-1P	74R0401
Tractors 55 Series, 3055, 3255, 3355, 4055, 4255, 4455, 4555, 4755, 4955 models with OE#RE49169	In Line drier with #6 Female to Male O-Ring, 4" x 8"	RE49169	RD-5-8862-1P	74R0401
Tractors 60 Series, 4560, 4760, 4960 models with OE#RE49169	In Line drier with #6 Female to Male O-Ring, 4" x 8"	RE49169	RD-5-8862-1P	74R0401
Tractors 80 Series	#6 Male O-Ring to #6 Female O-Ring, 4" x 8", moisture indicator	RD-5-9055-0	RD-5-9055-1P	74R4207

RECEIVER DRIER CONTINUED ON NEXT PAGE

OFF-ROAD APPLICATIONS

JOHN DEERE

Model	Description	OEM Part No.	Factory No.	Part No.
JOHN DEERE				
RECEIVER DRIER				
Tractors 6000 Series, 6200, 6300, 6400 models with OE#RE49169	In Line drier with #6 Female to Male O-Ring, 4" x 8"	RE49169	RD-5-8862-1P	74R0401
Tractors 6005, 7005 Series, 6405, 6605, 7405 models with OE#AL153705	In Line drier with #6 Female to Male O-Ring, 4" x 8"	AL153705	RD-5-8862-1P	74R0401
Tractors 6020 Series, 6120, 6220, 6320, 6420 models with OE#AL153705	In Line drier with #6 Female to Male O-Ring, 4" x 8"	AL153705	RD-5-8862-1P	74R0401
Tractors 7000 Series, 7200, 7400, 7600, 7700, 7800 models with OE#RE49169	In Line drier with #6 Female to Male O-Ring, 4" x 8"	RE49169	RD-5-8862-1P	74R0401
Tractors 7020 Series, 7220, 7320, 7420, 7520 models with OE#AL153705	In Line drier with #6 Female to Male O-Ring, 4" x 8"	AL153705	RD-5-8862-1P	74R0401
Tractors 8000 Series, 8100, 8200, 8300, 8400 models	#6 Male O-Ring to #6 Female O-Ring, 4" x 8", moisture indicator	AH114865 AT162848	RD-5-9055-1P	74R4207
Tractors 8020, 8020T Series, 8020, 8120, 8220, 8320, 8420, 8520 models with OE#AL153705	In Line drier with #6 Female to Male O-Ring, 4" x 8"	AL153705	RD-5-8862-1P	74R0401
Tractors 9000 Series, 9100, 9200, 9300, 9400 models with OE#RE49169	In Line drier with #6 Female to Male O-Ring, 4" x 8"	RE49169	RD-5-8862-1P	74R0401
Wheel Loaders 304H, 324H, 344H with Red Dot A/C unit R-9777-1, OE#RD-5-9419-0	O-Ring Type, hi cap, pressure relief, moisture indicator, 3" x 6 1/4"	RD-5-9419-0	RD-5-9419-1P	74R2590
Wheel Loaders 444H, 544H, 624H with Red Dot A/C unit R-10060, OE#RD-5-7061-1	Hi Cap #6 Male O-Ring with schrader, pressure relief, 3" x 6 1/4"	RD-5-7061-1	RD-5-7061-7P	74R2537
Wheel Loaders 544G, 624G, 644G, 744E with Red Dot A/C unit R-10040	O-Ring Type with side port, top glass, moisture indicator	221RD32	RD-5-7272-1P	74R2447
Wheel Loaders 544G, 544H, 624G, 624H, 644G, 644H, 724J, 744E, 744H, 824J with Red Dot A/C unit R-9475	#6 Male O-Ring to #6 Female O-Ring, 4" x 8", moisture indicator	RD-5-9055-0	RD-5-9055-1P	74R4207
Windrowers / Sprayers 4890, 4990, 4995 series with OE#RE49169	In Line drier with #6 Female to Male O-Ring, 4" x 8"	RE49169	RD-5-8862-1P	74R0401
Windrowers / Sprayers 5200, 5400, 5440, 5460, 5720, 5730, 5820, 5830 series	#6 Male O-Ring to #6 Female O-Ring, 4" x 8", moisture indicator	AH114865 AT162848	RD-5-9055-1P	74R4207
Windrowers / Sprayers 5200, 5400, 5440, 5460, 5720, 5730, 5820, 5830 series with OE#RE49169	In Line drier with #6 Female to Male O-Ring, 4" x 8"	RE49169	RD-5-8862-1P	74R0401

74R0401 RD-5-8862-1P
4" diameter x 7 7/8" long
#6 Female O-Ring - #6 Male O-Ring
Dual Sight Glass




74R0462 RD-5-7064-1P
2 1/2" diameter x 9 5/16" long
#6 Male O-Ring Inline - High Capacity



74R1826 RD-5-7062-1P
2 3/4" x 10 5/16" long
#6 Male O-Ring
High Capacity
Pressure Relief
Top Port



74R2306 RD-5-6504-1P
Includes Moisture Indicator
3" diameter x 10" long
#6 Male O-Ring
Fuse
Top Port



74R2447 RD-5-7272-1P
Includes Moisture Indicator
3" diameter x 6 1/4" long
#6 Male O-Ring
High Capacity
Pressure Relief
Side Port



74R2537 RD-5-7061-7P
3" diameter x 6 1/4" long
#6 Male O-Ring
(Schrader Port)
High Capacity
Pressure Relief
Side Port



74R2590 RD-5-9419-1P
Includes Moisture Indicator
3" diameter x 6 1/4" long
#6 Male O-Ring
High Capacity
Pressure Relief
No Port



74R4017 RD-5-6077-1P
4" diameter x 6 3/8" long
#6 Male Flare (Top and side)
Fuse
IHC/Novistar 539049-R91



74R4027 RD-5-11028-1P
Includes Moisture Indicator
4" diameter x 7 3/4" long
#6 Female O-Ring Out;
#6 Male O-Ring In



74R4207 RD-5-9055-1P
4" diameter x 9" long
#6 Female O-Ring In
#6 Male O-Ring Out
Side Glass



RECEIVER DRIER CONTINUED ON NEXT PAGE

Model	Description	OEM Part No.	Factory No.	Part No.
-------	-------------	--------------	-------------	----------

JOHN DEERE

RECEIVER DRIER / ACCUMULATOR

All Loader / Tractor model series with OE#A78583, RE24620	Main Unit with Accumulator, female O-Ring, 3 1/2" X 9 1/2"	A78583 RE24620	RD-5-10927-0P	74R5061
Tractors 60 Series, 8560, 8760, 8960 models with OE#RE24620	Universal Accumulator, female O-Ring, 3 1/2" X 8"	RE24620	RD-5-4961-0P	74R5050

74R5050 RD-5-4961-0P

3 1/2" diameter x 8" long
Inlet: 3/4" (#12) Female O-Ring
Outlet: 3/4" (#12) Female O-Ring
Two R-12 Ports



74R5061 RD-5-10927-0P

3 1/2" diameter x 9 1/2" long
Inlet: 1 1/16" Female O-Ring
Outlet: 1 1/16" Female O-Ring



RELAY

All Loader / Tractor model series with Bosch relay, OE#0332-209-169	Bosch type (30 amp), SPST, 5 terminals	0332-209-169	RD-5-4408-0P	71R1702
All Loader / Tractor model series with Hella relay, OE#960-388-25	Hella type, SPST, 5 terminals	960-388-25	RD-5-4408-0P	71R1702

71R1702 RD-5-4408-0P

12V Relay, 30/20 amps,
SPDT, 5 terminals Bosch type



RESISTER

Backhoe Loader / Tractor 310E, 410E, 510E, 710E with Red Dot A/C	Fan speed resistor for standard control units	RD-5-8923-0P	RD-5-8923-0P	71R1465
Crawler Dozer 450H, 550H, 650H with Red Dot A/C unit R-9475-0, OE#RD-5-8665-0	Ceramic tube style fan resistor, 4 terminal, 12V, 6 1/2" length x 1 3/16" diam	RD-5-8665-0	RD-5-8665-0P	71R1485
Crawler Dozer 700H with Red Dot A/C, OE#RD-5-9062-0	Ceramic tube style fan resistor, (white), 4 terminal, 12V, 7" length x 1 1/4" diam	RD-5-9062-0	RD-5-9062-0P	71R1480
Excavators 110, 120, 160LC with Red Dot A/C, OE#RD-5-3647-0P	Blower Resistor, Red Dot A/C units, 3 terminal, 3 speed	RD-5-3647-0	RD-5-3647-0P	71R1450
Wheel Loaders 304H, 324H, 344H with Red Dot A/C models R-1400, R-1620, R-2550, R-2820, R-9777	Blower assembly fan resistor, 3 speed, 4 terminal	20604004 RD-5-9437-0	RD-5-9437-0P	71R1402

71R1450 RD-5-3647-0P

3 Terminals (3/4" blade) / 3 Speeds
Bakelite base: 2 3/4" x 1 1/2" x .10" thick - Height: 1"



71R1480 RD-5-9062-0P

4 Terminals (1/2" blade) /
Variable Speed 24 volt, 5.22 ohm.
Length: 7";
Diameter: 1 1/4";
Mounting
Height: 2 3/4";
Ceramic (white)



71R1485 RD-5-8665-0P

4 Terminals (1/2" blade) /
Variable Speed 12 volt, 2.36 ohm.
Length: 6 1/2";
Diameter: 1 3/8";
Ceramic (black wrapped)
JD Crawler
Dozer 650H



71R1465 RD-5-8923-0P

4 Terminals (1/4" blade) / 3 Speeds
Bakelite base: .10" thick



OFF-ROAD APPLICATIONS

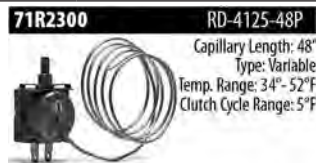
JOHN DEERE

Model	Description	OEM Part No.	Factory No.	Part No.
-------	-------------	--------------	-------------	----------

JOHN DEERE

THERMOSTATIC SWITCH

All Loader / Tractor model series using clutch cycling switch with OE#AR49960	Rotary thermostat, 36" capillary tube, 34 - 52°F	AR49960	RD-4125-36P	71R2250
All Loader / Tractor model series with OE#AH80197	Rotary thermostat with 48" capillary tube, 34 - 52°F	AH80197	RD-4125-48P	71R2300
All Loader / Tractor model series with OE#AR59779	Rotary thermostat, 36" capillary tube, 34 - 52°F	AR59779	RD-4125-36P	71R2250
Excavators 110, 120, 160LC, 200, 450LC with Red Dot A/C unit R-10034-0	Thermostat for standard control units, fixed setting with 24" capillary tube, flange/side mt.	RD-5-4531-24P	RD-5-4531-24P	71R3200
Backhoe Loader / Tractor 310D, 310E, 410D, 410E, 510D with Red Dot A/C unit R-10011-0, -1	Thermostat for standard control units, fixed setting with 24" capillary tube, flange/side mt.	RD-5-4531-24P	RD-5-4531-24P	71R3200
Backhoe Loader 344E, 444E with Red Dot A/C unit R-10025-1	Thermostat for standard control units, fixed setting with 24" capillary tube, flange/side mt.	RD-5-4531-24P	RD-5-4531-24P	71R3200
Backhoe Loader 344G, 444G with Red Dot model R-10036-0	Thermostat for standard control units, fixed setting with 24" capillary tube, flange/side mt.	RD-5-4531-24P	RD-5-4531-24P	71R3200
Backhoe Loader 490E, 510E, 690E, 710E, 790E, 792D, 892E, 992E with Red Dot A/C unit R-10035	Thermostat for standard control units, fixed setting with 24" capillary tube, flange/side mt.	RD-5-4531-24P	RD-5-4531-24P	71R3200
Crawler Dozer 450H, 550H, 650H, 700H with OE#RD-5-4531-24	Thermostat for standard control units, fixed setting with 24" capillary tube, flange/side mt.	RD-5-4531-24P	RD-5-4531-24P	71R3200
Wheel Loaders 304H, 324H, 344H OE#AR49960, AR59779	Rotary thermostat, 36" capillary tube, 34 - 52°F	AR49960 AR59779	RD-4125-36P	71R2250
Wheel Loaders 444H, 544H, 624H with Red Dot A/C unit R-10060	Thermostat for standard control units, fixed setting with 24" capillary tube, flange/side mt.	RD-5-4531-24P	RD-5-4531-24P	71R3200
Wheel Loaders 544G, 624G, 644G with Red Dot model R-10036-0	Thermostat for standard control units, fixed setting with 24" capillary tube, flange/side mt.	RD-5-4531-24P	RD-5-4531-24P	71R3200
Wheel Loader 744E with Red Dot A/C unit R-10040-0	Thermostat for standard control units, fixed setting with 24" capillary tube, flange/side mt.	RD-5-4531-24P	RD-5-4531-24P	71R3200



WATER VALVE

All Loader / Tractor model series with Red Dot A/C models R-9450, OE#RD-5-8193-1	Cable operated valve (pull to open), 5/8" to 5/8" hose	RD-5-8193-1	RD-5-8193-2P	72R5350
Backhoe Loader / Tractor 310E, 410E, 510E, 710E with Red Dot A/C model R-9450, OE#RD-5-8193-2	Cable operated valve (pull to open), 5/8" to 5/8" hose	RD-5-8193-2	RD-5-8193-2P	72R5350
Crawler Dozer 450H, 550H, 650H with Red Dot A/C model R-9475-0, OE#RD-1-1746-0P	Electronic water valve, 12V, 5/8" to 5/8" hose connections	RD-1-1746-0	RD-1-1746-0P	72R6562
Loader / Tractor (Small Track Type) with OE#RD-5-10055-0	Cable operated valve, straight (pull to open), 5/8" to 5/8" hose	RD-5-10055-0	RD-5-10055-0P	72R6547
Wheel Loaders 324H, 344H with Red Dot A/C model R-9777-1, OE#RD-5-9224-1	Cable operated valve with flow restrictor, (push to open), 5/8" to 5/8" hose	RD-5-9224-1	RD-5-9224-1P	72R5285



BLOWER MOTOR

Excavator SK100 with Red Dot A/C model #R-1550-1P	Red Dot A/C, 24V single shaft motor, 1 speed, 4 3/4" length	20193P1 20303P	RD-5-4827-24P	73R0404
Excavator SK115 with Red Dot A/C model #R-1550-2P	Red Dot A/C, 24V single shaft motor, 1 speed, 4 3/4" length	20193P1 20303P	RD-5-4827-24P	73R0404

BLOWER MOTOR CONTINUED ON NEXT PAGE

Model	Description	OEM Part No.	Factory No.	Part No.
-------	-------------	--------------	-------------	----------

KOBELCO

BLOWER MOTOR

Excavator SK120, 150, 200, 220, 270 (early serial numbers)with Red Dot A/C model R-1550-1P	Red Dot A/C, 24V single shaft motor, 1 speed, 4 3/4" length	20193P1 20303P	RD-5-4827-24P	73R0404
Excavator SK120, 150, 200, 220, 270 (late serial numbers)with Red Dot A/C model R-1550-2P	Red Dot A/C, 24V single shaft motor, 1 speed, 4 3/4" length	20193P1 20303P	RD-5-4827-24P	73R0404
Excavator SK300, 400 (early & late serial numbers) with Red Dot A/C model #R-1550-2P	Red Dot A/C, 24V single shaft motor, 1 speed, 4 3/4" length	20193P1 20303P	RD-5-4827-24P	73R0404

73R0404 RD-5-7038-0P

Single Speed
24 Volt
Rotates Counter Clockwise
Permanent Magnet Motor
Stud Mounted, Span 2 7/16"
Dimensions: 4 3/4" x 4" x 3"
Shaft: 5/16" diameter, Length: 1 3/8"
Vented



BLOWER - FAN RESISTOR

Excavator SK100 with Red Dot A/C model #R-1550-1P	Blower Resistor, Red Dot A/C units, 3 terminal, 3 speed	RD-5-3647-0	RD-5-3647-0P	71R1450
Excavator SK115 with Red Dot A/C model #R-1550-2P	Blower Resistor, Red Dot A/C units, 3 terminal, 3 speed	RD-5-3647-0	RD-5-3647-0P	71R1450
Excavator SK120, 150, 200, 220, 270 (early serial numbers)with Red Dot A/C model R-1550-1P	Blower Resistor, Red Dot A/C units, 3 terminal, 3 speed	RD-5-3647-0	RD-5-3647-0P	71R1450
Excavator SK120, 150, 200, 220, 270 (late serial numbers)with Red Dot A/C model R-1550-2P	Blower Resistor, Red Dot A/C units, 3 terminal, 3 speed	RD-5-3647-0	RD-5-3647-0P	71R1450
Excavator SK300, 400 (early & late serial numbers) with Red Dot A/C model #R-1550-2P	Blower Resistor, Red Dot A/C units, 3 terminal, 3 speed	RD-5-3647-0	RD-5-3647-0P	71R1450

71R1450 RD-5-3647-0P

3 Terminals (3/4" blade) / 3 Speeds
Bakelite base: 2 3/4" x 1 1/2" x .10" thick - Height: 1"



CLUTCH ASSEMBLY

Excavator SK100 with Red Dot A/C model #R-1550-1P, Sanden SDS R-12 compressor	2 groove, 24V, 5 1/4" (132mm) diameter pulley, 1/2" width, 1 wire	6519-6210 6514-6210	RD-5-5487-0P	75R0204
Excavator SK115 with Red Dot A/C model #R-1550-2P, Sanden SDS R-12 compressor	2 groove, 24V, 5 1/4" (132mm) diameter pulley, 1/2" width, 1 wire	6519-6210 6514-6210	RD-5-5487-0P	75R0204
Excavator SK120, 150, 200, 220, 270 (early serial numbers)with Red Dot A/C model R-1550-1P, Sanden SDS R-12 compressor	2 groove, 24V, 5 1/4" (132mm) diameter pulley, 1/2" width, 1 wire	6519-6210 6514-6210	RD-5-5487-0P	75R0204
Excavator SK120, 150, 200, 220, 270 (late serial numbers)with Red Dot A/C model R-1550-2P, Sanden SDS R-12 compressor	2 groove, 24V, 5 1/4" (132mm) diameter pulley, 1/2" width, 1 wire	6519-6210 6514-6210	RD-5-5487-0P	75R0204
Excavator SK300, 400 (early & late serial numbers) with Red Dot A/C model #R-1550-2P, Sanden SDS R-12 compressor	2 groove, 24V, 5 1/4" (132mm) diameter pulley, 1/2" width, 1 wire	6519-6210 6514-6210	RD-5-5487-0P	75R0204

75R0204 RD-5-5487-0P

Model SDS (508, H14)
Diameter: 5 1/4" / 132mm
Groove: 2
Width: 1/2"
24 Volts
B Distance: 1 9/16" / 40mm



Single wire coil
Male bullet plug

OFF-ROAD APPLICATIONS

Model	Description	OEM Part No.	Factory No.	Part No.
-------	-------------	--------------	-------------	----------

KOBELCO

COMPRESSOR - SANDEN

Excavator SK100 with Red Dot A/C model #R-1550-1P, Sanden 5H14, #6665	5H14-HD, 24V, FL head, 2A groove, 5 1/4" (132mm) diameter	6665	RD-5-7089-0P	75R8384
Excavator SK115 with Red Dot A/C model #R-1550-2P with Red Dot A/C model R-1550-2P with Sanden 5H14HD, #4537, 6634	5H14-HD, K head, ear mount, 2A groove, 5 1/4" (132mm) diameter	4537 6634	RD-5-8680-0P	75R8354
Excavator SK120, 150, 200, 220, 270 (early serial numbers) with Red Dot A/C model R-1550-1P, Sanden 5H14, #6665	5H14-HD, 24V, FL head, 2A groove, 5 1/4" (132mm) diameter	6665	RD-5-7089-0P	75R8384
Excavator SK120, 150, 200, 220, 270 (late serial numbers) with Red Dot A/C model R-1550-2P with Sanden 5H14HD, #4537, 6634	5H14-HD, K head, ear mount, 2A groove, 5 1/4" (132mm) diameter	4537 6634	RD-5-8680-0P	75R8354
Excavator SK300, 400 (early & late serial numbers) with Red Dot A/C model #R-1550-2P, Sanden 5H14HD, #4537, 6634	5H14-HD, K head, ear mount, 2A groove, 5 1/4" (132mm) diameter	4537 6634	RD-5-8680-0P	75R8354

75R8354 RD-5-8680-0P
Model: SD7H15 **Head:** KG **Voltage:** 24V
Mount: Ear **Sanden:** 4537, 6634, 4269
Clutch: 5 1/4" (132mm) A2 Groove

75R8384 RD-5-7089-0P
Model: 7H15 **Head:** JD **Voltage:** 24
Mount: Ear
Sanden: 4506, 4507, 6627, 6665, 4271
Clutch: 5 1/4" (132mm) A2 Groove **R134a**



CONDENSER

Excavator SK100 with Red Dot A/C model #R-1550-1P	Tube & fin type, 20 1/2" x 18 1/4" x 1 1/8"	RD-4-5154-0	RD-4-5154-0P	77R7010
Excavator SK115 with Red Dot A/C model #R-1550-2P	Tube & fin type, 20 1/2" x 18 1/4" x 1 1/8"	RD-4-5154-0	RD-4-5154-0P	77R7010
Excavator SK120, 150, 200, 220, 270 (early serial numbers) with Red Dot A/C model R-1550-1P	Tube & fin type, 20 1/2" x 18 1/4" x 1 1/8"	RD-4-5154-0	RD-4-5154-0P	77R7010
Excavator SK120, 150, 200, 220, 270 (late serial numbers) with Red Dot A/C model R-1550-2P	Tube & fin type, 20 1/2" x 18 1/4" x 1 1/8"	RD-4-5154-0	RD-4-5154-0P	77R7010
Excavator SK300, 400 (early & late serial numbers) with Red Dot A/C model #R-1550-2P		RD-4-5116-0	RD-4-5116-0P	77R7020

77R7010 RD-4-5154-0P
Tube & Fin Type
 Overall Width: 25 1/4"
 Fin Width: 20 1/2"
 Height: 18 1/4"
 Thickness: 1 1/8"



77R7010 RD-4-5116-0P
Tube & Fin Type
 Overall Width: 27"
 Fin Width: 20 1/2"
 Height: 18 1/4"
 Thickness: 1 1/4"



Model	Description	OEM Part No.	Factory No.	Part No.
-------	-------------	--------------	-------------	----------

KOBELCO

EXPANSION VALVE / BLOCK

Excavator SK100 with Red Dot A/C model #R-1550-1P	Block valve with female O-Ring fittings	RD-5-6868-0	RD-5-6868-1P	71R8301
Excavator SK115 with Red Dot A/C model #R-1550-2P	Block valve with female O-Ring fittings	RD-5-6868-0	RD-5-6868-1P	71R8301
Excavator SK120, 150, 200, 220, 270 (early serial numbers)with Red Dot A/C model R-1550-1P	Block valve with female O-Ring fittings	RD-5-6868-0	RD-5-6868-1P	71R8301
Excavator SK120, 150, 200, 220, 270 (late serial numbers)with Red Dot A/C model R-1550-2P	Block valve with female O-Ring fittings	RD-5-6868-0	RD-5-6868-1P	71R8301
Excavator SK300, 400 (early & late serial numbers) with Red Dot A/C model #R-1550-2P	Block valve with female O-Ring fittings	RD-5-6868-0	RD-5-6868-1P	71R8301

71R8301 RD-5-6868-0P

Inlet: #6 (3/8") Female O-Ring
Outlet: #10 (5/8") Female O-Ring
 Evaporator Fittings
In: #8 (1/2") Female O-Ring
Out: #8 (1/2") Female O-Ring
Superheat Rating: 5°F
Pressure Limit: 80 psig @40°F



FILTER

Excavator SK100 with Red Dot A/C model #R-1550-1P	Fresh air frame filter, 10 3/4" x 2 1/16" x 1 1/32"	RD-5-8078-0	RD-5-8078-1P	RD-5-8078-1P
Excavator SK115 with Red Dot A/C model #R-1550-2P	Fresh air frame filter, 10 3/4" x 2 1/16" x 1 1/32"	RD-5-8078-0	RD-5-8078-1P	RD-5-8078-1P
Excavator SK120, 150, 200, 220, 270 (early serial numbers)with Red Dot A/C model R-1550-1P	Fresh air frame filter, 10 3/4" x 2 1/16" x 1 1/32"	RD-5-8078-0	RD-5-8078-1P	RD-5-8078-1P
Excavator SK120, 150, 200, 220, 270 (late serial numbers)with Red Dot A/C model R-1550-2P	Fresh air frame filter, 10 3/4" x 2 1/16" x 1 1/32"	RD-5-8078-0	RD-5-8078-1P	RD-5-8078-1P
Excavator SK300, 400 (early & late serial numbers) with Red Dot A/C model #R-1550-2P	Fresh air frame filter, 10 3/4" x 2 1/16" x 1 1/32"	RD-5-8078-0	RD-5-8078-1P	RD-5-8078-1P

PRESSURE SWITCH

Excavator SK100 with Red Dot A/C model #R-1550-1P	Binary 7/16"-20 UNF female, Schrader type valve	RD 5 4640 0	RD-5-4640-0P	71R7050
Excavator SK115 with Red Dot A/C model #R-1550-2P	Binary 7/16"-20 UNF female, Schrader type valve	RD 5 4640 0	RD-5-4640-0P	71R7050
Excavator SK120, 150, 200, 220, 270 (early serial numbers)with Red Dot A/C model R-1550-1P	Binary 7/16"-20 UNF female, Schrader type valve	RD 5 4640 0	RD-5-4640-0P	71R7050
Excavator SK120, 150, 200, 220, 270 (late serial numbers) with Red Dot A/C model R-1550-2P	Binary 7/16"-20 UNF female, Schrader type valve	RD 5 4640 0	RD-5-4640-0P	71R7050
Excavator SK300, 400 (early & late serial numbers) with Red Dot A/C model #R-1550-2P	Binary 7/16"-20 UNF female, Schrader type valve	RD 5 4640 0	RD-5-4640-0P	71R7050

71R7050 RD-5-4640-0P

7/16"-20 UNF-2B Female
 Thread for Installation
 on Male Schrader
 Type Valve.



OFF-ROAD APPLICATIONS

Model	Description	OEM Part No.	Factory No.	Part No.
-------	-------------	--------------	-------------	----------

KOBELCO

RECEIVER DRIER

Excavator SK100 with Red Dot A/C model #R-1550-1P	#6 Male O-Ring, 2 3/4" x 9 5/8", hi capacity, pressure relief	RD-5-7062-1	RD-5-7062-1P	74R1826
Excavator SK115 with Red Dot A/C model #R-1550-2P	#6 Male O-Ring, 2 3/4" x 9 5/8", hi capacity, pressure relief	RD-5-7062-1	RD-5-7062-1P	74R1826
Excavator SK120, 150, 200, 220, 270 (early serial numbers)with Red Dot A/C model R-1550-1P	#6 Male O-Ring, 2 3/4" x 9 5/8", hi capacity, pressure relief	RD-5-7062-1	RD-5-7062-1P	74R1826
Excavator SK120, 150, 200, 220, 270 (late serial numbers)with Red Dot A/C model R-1550-2P	#6 Male O-Ring, 2 3/4" x 9 5/8", hi capacity, pressure relief	RD-5-7062-1	RD-5-7062-1P	74R1826
Excavator SK300, 400 (early & late serial numbers) with Red Dot A/C model #R-1550-2P	#6 Male O-Ring, 2 3/4" x 9 5/8", hi capacity, pressure relief	RD-5-7062-1	RD-5-7062-1P	74R1826

74R1826 RD-5-7062-1P

2 3/4" x 10 5/8" long
#6 Male O-Ring
High Capacity
Pressure Relief
Top Port



RESISTOR

Excavator SK100 with Red Dot A/C model #R-1550-1P	Blower Resistor, Red Dot A/C units, 3 terminal, 3 speed	RD-5-3647-0	RD-5-3647-0P	71R1450
Excavator SK115 with Red Dot A/C model #R-1550-2P	Blower Resistor, Red Dot A/C units, 3 terminal, 3 speed	RD-5-3647-0	RD-5-3647-0P	71R1450
Excavator SK120, 150, 200, 220, 270 (early serial numbers)with Red Dot A/C model R-1550-1P	Blower Resistor, Red Dot A/C units, 3 terminal, 3 speed	RD-5-3647-0	RD-5-3647-0P	71R1450
Excavator SK120, 150, 200, 220, 270 (late serial numbers)with Red Dot A/C model R-1550-2P	Blower Resistor, Red Dot A/C units, 3 terminal, 3 speed	RD-5-3647-0	RD-5-3647-0P	71R1450
Excavator SK300, 400 (early & late serial numbers) with Red Dot A/C model #R-1550-2P	Blower Resistor, Red Dot A/C units, 3 terminal, 3 speed	RD-5-3647-0	RD-5-3647-0P	71R1450

71R1450 RD-5-3647-0P

3 Terminals (3/4" blade) / 3 Speeds
Bakelite base: 2 3/4" x 1 1/2" x .10" thick - Height: 1"



THERMOSTATIC SWITCH

Excavator SK100 with Red Dot A/C model #R-1550-1P	Thermostat for standard control units, fixed setting with 24" capillary tube, flange/side mt.	RD-5-4531-24P	RD-5-4531-24P	71R3200
Excavator SK115 with Red Dot A/C model #R-1550-2P	Thermostat for standard control units, fixed setting with 24" capillary tube, flange/side mt.	RD-5-4531-24P	RD-5-4531-24P	71R3200
Excavator SK120, 150, 200, 220, 270 (early serial numbers)with Red Dot A/C model R-1550-1P	Thermostat for standard control units, fixed setting with 24" capillary tube, flange/side mt.	RD-5-4531-24P	RD-5-4531-24P	71R3200
Excavator SK120, 150, 200, 220, 270 (late serial numbers)with Red Dot A/C model R-1550-2P	Thermostat for standard control units, fixed setting with 24" capillary tube, flange/side mt.	RD-5-4531-24P	RD-5-4531-24P	71R3200
Excavator SK300, 400 (early & late serial numbers) with Red Dot A/C model #R-1550-2P	Thermostat for standard control units, fixed setting with 24" capillary tube, flange/side mt.	RD-5-4531-24P	RD-5-4531-24P	71R3200

71R3200 RD-5-4531-24P

Mounting hole spacing: 2 3/4"
Capillary Length: 24"
Type: Fixed (side mount)
Temp. Range: 31°- 39°F
Clutch Cycle Range: 8°F



Model	Description	OEM Part No.	Factory No.	Part No.
KOBELCO				
WATER VALVE				
Excavator SK100 with Red Dot A/C model #R-1550-1P, for vehicles manuf. before 11/98	Cable operated valve (pull to open), 5/8" to 5/8" hose	RD-5-8193-1	RD-5-8193-2P	72R5350
Excavator SK115 with Red Dot A/C model #R-1550-2P, for vehicles manuf. before 11/98	Cable operated valve (pull to open), 5/8" to 5/8" hose	RD-5-8193-1	RD-5-8193-2P	72R5350
Excavator SK120, 150, 200, 220, 270 (early serial numbers) with Red Dot A/C model R-1550-1P, for vehicles manuf. before 11/98	Cable operated valve (pull to open), 5/8" to 5/8" hose	RD-5-8193-1	RD-5-8193-2P	72R5350
Excavator SK120, 150, 200, 220, 270 (late serial numbers) with Red Dot A/C model R-1550-2P, for vehicles manuf. before 11/98	Cable operated valve (pull to open), 5/8" to 5/8" hose	RD-5-8193-1	RD-5-8193-2P	72R5350
Excavator SK300, 400 (early & late serial numbers) with Red Dot A/C model #R-1550-2P, for vehicles manuf. before 11/98	Cable operated valve (pull to open), 5/8" to 5/8" hose	RD-5-8193-1	RD-5-8193-2P	72R5350

Water valve replacement: For excavators manufactured before prior to 11/98, use water valve field installation kit RD-3-9191-0P

72R5350 RD-5-8193-2P

5/8" Hose to 5/8" Hose
Pull To Open



KOBELCO

OFF-ROAD APPLICATIONS

Model	Description	OEM Part No.	Factory No.	Part No.
-------	-------------	--------------	-------------	----------

KOMATSU

BLOWER - FAN

Wheel Loader model series with remote mount condenser, 12V fan	Pancake fan assembly, (puller) 12V	RD-5-8641-0	RD-5-8641-0P	RD-5-8641-0P
Wheel Loader model series with remote mount condenser, 24V fan	Pancake fan assembly, (puller) 24V	RD-5-8641-1	RD-5-8641-1P	RD-5-8641-1P
Wheel Loader WA350 thru WA600 model series with remote mount condenser, 24V fan	Pancake fan assembly, (puller) 24V	RD-5-8641-1	RD-5-8641-1P	RD-5-8641-1P

BLOWER MOTOR

All Loader / Tractor PC series models with remote mount condenser (24V), OE#RD-5-5120-24	Single shaft motor (condenser motor), 24V, 4 7/8" length	RD-5-5120-24	RD-5-5120-24P	73R0514
Excavator PC200-6, PC210-6, PC250-6 models, OE#2809-530-013	Double shaft, 1 speed, 24V, vented, 4 19/16" x 4" x 3"	2809-530-013	RD-5-5121-2P	73R4264
Wheel Loader models, OE#404-825	Double shaft, 1 speed, 24V, vented, 4 19/16" x 4" x 3"	404-825	RD-5-5121-2P	73R4264
Wheel Loader / Tractor model series with remote mount condenser (12V), OE#RD-5-5120-0	Single shaft motor (condenser motor), 12V, NV, 4 7/8" length	RD-5-5120-0	RD-5-5120-0P	73R0512
Wheel Loader / Tractor model series with remote mount condenser (24V), OE#RD-5-5120-24	Single shaft motor (condenser motor), 24V, 4 7/8" length	RD-5-5120-24	RD-5-5120-24P	73R0514
Wheel Loader models 344G, 444G with Red Dot A/C model #R-10036-0P	Red Dot A/C, 24V single shaft motor, 1 speed, CCW, 5" length	RD-5-4827-24	RD-5-4827-24P	73R0404

73R0404 RD-5-7038-0P

Single Speed
24 Volt
Rotates Counter Clockwise
Permanent Magnet Motor
Stud Mounted, Span 2 5/16"
Dimensions: 4 3/4" x 4" x 3"
Shaft: 5/16" diameter, Length: 1 3/4"
Vented



73R0512 RD-5-5120-0P

Single Speed
12 Volt
Rotates CW
Permanent Magnet Motor
Strap/Stud Mounted, Span 2 5/16"
Dimensions: 4 7/8" x 4" x 3"
Shaft: 3/16" diameter, Length: 1 1/8"
Non Vented
Connector: Two conductor Packard 1/4" blade terminal



73R0514 RD-5-5120-24P

Single Speed
24 Volt
Rotates Clockwise
Permanent Magnet Motor
Strap / Stud Mounted, Span 2 5/16"
Dimensions: 4 7/8" x 4" x 3"
Shaft: 5/16" diameter, Length: 1 1/8"
Non Vented



73R4264 RD-5-5121-2P

Single Speed
24 Volt
Permanent Magnet Motor
Strap / Stud Mounted, Span 2 5/16"
Dimensions: 4 13/16" x 4" x 3"
Shafts: 5/16" diameter, length: 2 1/8"
Vented
Connector: Two conductor Packard #8900420, 3/8" blade terminal



BLOWER WHEEL

Excavator PC series with Red Dot A/C unit R-10015 series evaporator, OE#RD-5-7312-0	Red Dot A/C, single entry, 3 13/16" diameter x 2 1/2" width, CCW	RD-5-7311-0	RD-5-7311-0P	73R6350
Excavator PC series with Red Dot A/C unit R-10015 series evaporator, OE#RD-5-7312-0	Red Dot A/C, single entry, 3 13/16" diameter x 2 1/2" width, CCW	RD-5-7312-0	RD-5-7312-0P	73R6300

73R6300 RD-5-7312-0P

3 13/16" diameter, 2 1/2" width
5/16" bore diameter
Hub inset: Flat
Counter Clockwise Rotation
Steel



73R6350 RD-5-7311-0P

3 13/16" diameter, 2 1/2" width
5/16" bore diameter
Hub inset: Flat
Clockwise Rotation
Steel



Model	Description	OEM Part No.	Factory No.	Part No.
-------	-------------	--------------	-------------	----------

KOMATSU

CLUTCH ASSEMBLY

All series with CCI/York - R12 / 134A compressors OE#024-25078, MA6, MAE6AR	2 groove 6" diameter pulley, 1/2" width, 1 5/8" ga, bullet plug	024-25078 MA6 MAE6AR	RD-5-4967-0P	75R0452
All series with CCI/York - R12 / 134A compressors, OE#332334, MA 7A	2 groove 7" diameter pulley, 12V, 1/2" width, 2" ga, bullet plug	332334 MA 7A	RD-5-4994-0P	75R4502
All series with CCI/York - R12 / 134A compressors OE#024 25190, 03-1104973, 501939	2 groove 6" diameter pulley, 1/2" width, 1 5/8" ga, weatherpak plug	024 25190 03-1104973 501939	RD-5-4972-1P	75R1202
All series with Sanden SD5 (508 / 510 / 5H14) R12/ R134a compressors	2 groove 5 1/4" diameter, 1/2" width, (132mm), 1 wire plug	6514-6210 6574-6210	RD-5-5486-0P	75R0202
All series with Sanden SD7H15HD R134a compressor, OE #6504-6310	2 groove 1/2" width, 5 1/4" diameter (132mm)	6504-6310	RD-5-10379-0P	75R1542

75R0202 RD-5-5486-0P

Model SD5 (508, 510, 5H14)
Diameter: 5 1/4" / 132mm
Groove: 2
Width: 1/2"
12 Volts
B Distance: 1 5/16" / 40mm



Single wire coil
Bare wire

75R0452 RD-5-4967-0P

Diameter: 6"
Groove: 2
Width: 1/2"
12 Volts
B Dimension: 1 5/8"



Single wire coil
Male bullet plug

75R1202 RD-5-4972-1P

OE #501939, MAE-6AR
Diameter: 6"
Groove: 2
Width: 1/2"
12 Volts
B Dimension: 1 5/8"



Single wire coil with diode
Weatherpak plug

75R1542 RD-5-10369-0P

OE # 6504-6010
Model 709 / 7H15
Diameter: 5 1/4" / 132mm
Groove: 2
Width: 1/2"
12 Volts
B Distance: 1 5/16" / 40mm
Double wire coil
Ford OE plug



75R4502 RD-5-4994-0P

Diameter: 7"
Groove: 2
Width: 1/2"
12 Volts
B Dimension: 2"



Single wire coil
Male bullet plug

COMPRESSOR - SANDEN

All series with Sanden SD7H15 compressor #4652, Komatsu OE#1433064H91	7H15, JD head, ear mount, 2A groove, 4.9"(125mm) diameter	1433064H91 Sanden 4652	RD-5-7124-0P	75R8424
--	--	---------------------------	--------------	----------------

75R8424 RD-5-7124-0P

Model: 7H15HD Head: JD Voltage: 24

Mount: Ear Sanden: 4652

Clutch: 4.9"(125mm) A2 Groove **R134a**



EXPANSION VALVE / BLOCK

Excavator PC series with Red Dot A/C unit R-10015-2, -3 series evaporator, OE#RD-5-6868-0	Block valve with female O-Ring fittings	RD-5-6868-0	RD-5-6868-1P	71R8301
Wheel Loader WA350 thru WA600 model series with Red Dot A/C unit R-10015-4 thru -7 series evaporator, OE#RD-5-6868-0	Block valve with female O-Ring fittings	RD-5-6868-0	RD-5-6868-1P	71R8301

71R8301 RD-5-6868-0P

Inlet: #6 (3/8") Female O-Ring
Outlet: #10 (5/8") Female O-Ring
Evaporator Fittings
In: #8 (1/2") Female O-Ring
Out: #8 (1/2") Female O-Ring
Superheat Rating: 5°F
Pressure Limit: 80 psig @40°F



OFF-ROAD APPLICATIONS

Model	Description	OEM Part No.	Factory No.	Part No.
-------	-------------	--------------	-------------	----------

KOMATSU

PRESSURE SWITCH

Excavator PC series with Red Dot A/C unit R-10015-2, -3 series evaporator, OE#RD-5-8433-0	Dual function switch (Fujikoki) with 7/16"-20, 4 terminal	RD-5-8433-0 A22-36474-000	RD-5-8433-0P	71R7075
Wheel Loader WA350 thru WA600 model series with Red Dot A/C unit R-10015-4 thru -7 series evaporator, OE#RD-5-8433-0	Dual function switch (Fujikoki) with 7/16"-20, 4 terminal	RD-5-8433-0 A22-36474-000	RD-5-8433-0P	71R7075

	RD-5-8433-0P	
	OPEN	CLOSED
LOW	± 2	28
HIGH	± 28	384

Thread: 7/16" - 20 UNF
Orange Fan
Switch



RECEIVER DRIER

Excavator PC series with Red Dot A/C unit R-10015-2, -3 series evaporator, OE#RD-5-7064-0	In-line, #6 Male O-Ring, 2 1/2" x 9 3/16"	RD-5-7064-0	RD-5-7064-1P	74R0462
Wheel Loader WA350 thru WA600 model series with Red Dot A/C unit R-10015-4 thru -7 series evaporator, OE#RD-5-7064-0		RD-5-7064-0	RD-5-7064-1P	74R0462

	RD-5-7064-1P
2 1/2" diameter x 9 3/16" long #6 Male O-Ring In-line - High Capacity	



THERMOSTATIC SWITCH

Excavator PC series with Red Dot A/C unit R-10015-2, -3 series evaporator, OE#RD-4424-24	Fixed Setting thermostat with 24" capillary tube, flange mt.	404145	RD-4427-24P	71R3100
Wheel Loader WA350 thru WA600 model series with Red Dot A/C unit R-10015-4 thru -7 series evaporator, OE#RD-4424-24		404145	RD-4427-24P	71R3100

	RD-4-4272-4P
Mounting hole spacing: 2 1/8" Capillary Length: 24" Type: Fixed Temp. Range: 34°- 38°F Clutch Cycle Range: 5°F	



Model	Description	OEM Part No.	Factory No.	Part No.
-------	-------------	--------------	-------------	----------

LINKBELT

BLOWER MOTOR

Excavator 4300, 5800, 6000 series with Red Dot A/C unit R-1620-1-24P, R-1625-0-24P, OE#RD-5-8583-1	Blower assembly, 3 speed, 24V, 13 3/4" x 5 3/8" x 5 1/8"	RD-5-8583-1	RD-5-8583-1P	73R5554
--	--	-------------	--------------	----------------

73R5554 RD-5-8583-1P



BLOWER - FAN RESISTOR

Excavator 4300, 5800, 6000 series with Red Dot A/C unit R-1620-1-24P, R-1625-0-24P, OE#RD-5-9445-0	Resistor, 3 speed for blower assembly	RD-5-9445-0	RD-5-9445-0P	71R1401
--	---------------------------------------	-------------	--------------	----------------

71R1401 RD-5-9445-0P



CLUTCH ASSEMBLY

Excavator 4300, 5800, 6000 series with Tama CH, TM15, TM16 compressors	24V, 2 groove 1/2" width, 5 2/64" diameter (135mm), bullet plug	511868 524-19724 KA1025	RD-5-10232-0P	75R0274
--	---	-------------------------------	---------------	----------------

75R0274 RD-5-10232-0P



COMPRESSOR - ICE SELTEC

Excavator 4300, 5800, 6000 series with Red Dot A/C, Seltec TM15 R134a compressors	ICE-Seltec TM15, D head, ear mount, 2 groove, 5 1/4"(135mm)	488-45015 2521153	RD-5-7163-2P	75R8614Q
---	---	----------------------	--------------	-----------------

75R8614Q RD-5-7163-2P

Model: QP-15HD **Head:** D **Voltage:** 24V
Mount: Ear **ICE:** 2521153 **Seltec:** 488-45015
Clutch: 5 1/4" (135mm) 2 Groove **R134a**



LINKBELT

OFF-ROAD APPLICATIONS

Model	Description	OEM Part No.	Factory No.	Part No.
-------	-------------	--------------	-------------	----------

LINKBELT

CONDENSER

Excavator 4300, 5800, 6000 series with Red Dot A/C unit R-1620-1-24P, R-1625-0-24P, OE#RD-4-5418-0	Multiflow type, 22 13/16" x 14" x 3/4"	RD-4-5418-0	RD-4-5418-0P	77R1300
--	--	-------------	--------------	----------------

77R1300 RD-4-5418-0P

Multiflow Type
Overall Width: 25 3/4"
Fin Width: 22 13/16"
Height: 14"
Thickness: 3/4"

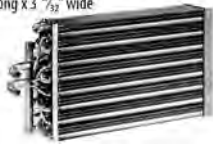


EVAPORATOR

Excavator 4300, 5800, 6000 series with Red Dot A/C unit R-1620-1-24P, R-1625-0-24P, OE#RD-2-3070-0	Dimensions: 8 7/64" height x 15 3/64" length x 3 1/2" width	RD-2-3070-0	RD-2-3070-0P	76R6650
--	---	-------------	--------------	----------------

76R6650 RD-2-3070-0P

8" high x 13" long x 3 1/2" wide



EXPANSION VALVE / BLOCK

Excavator 4300, 5800, 6000 series with Red Dot A/C unit R-1620-1-24P, R-1625-0-24P, OE#RD-5-7015-1	Block valve, hi-capacity, 2 ton, female O-Ring	RD-5-7015-0	RD-5-7015-1P	71R8321
--	--	-------------	--------------	----------------

71R8321 RD-5-7015-0P

High Capacity (2 Ton)
Inlet: #6 (3/8") Female "O" Ring
Outlet: #10 (5/8") Female O-Ring
Evaporator Fittings
In: #8 (1/2") Female O-Ring
Out: #10 (5/8") Female O-Ring
Superheat Rating: 8°F
Pressure Limit: 53.5 psig @75°F



FILTER

Excavator 4300, 5800, 6000 series with Red Dot A/C unit R-1620-1-24P, R-1625-0-24P, OE#RD-5-8582-0	Fresh air frame filter, 15" x 8" x 1"	RD-5-8582-0	RD-5-8582-0P	78R5240
--	---------------------------------------	-------------	--------------	----------------

78R5240 RD-5-8582-0P

15" wide x 8" high x 1" thick

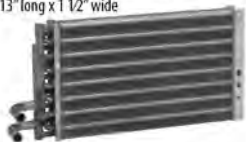


HEATER CORE

Excavator 4300, 5800, 6000 series with Red Dot A/C unit R-1620-1-24P, R-1625-0-24P, OE#RD-1-1603-0	Dimensions: 6 7/64" height x 23 13/64" length x 1 1/2" width	RD-1-1603-0	RD-1-1603-0P	76R3420
--	--	-------------	--------------	----------------

76R3420 RD-1-1603-0P

8" high x 13" long x 1 1/2" wide



LINKBELT

Model	Description	OEM Part No.	Factory No.	Part No.
-------	-------------	--------------	-------------	----------

LINKBELT

PRESSURE SWITCH

Excavator 4300, 5800, 6000 series with Red Dot A/C unit R-1620-1-24P, R-1625-0-24P, OE#RD-5-4585-0	Trinary switch, with male 3/8-24, 4 terminal, normally open	RD-5-4585-0	RD-5-4585-0P	71R7500
--	---	-------------	--------------	----------------

71R7500 RD-5-4585-0P

3/8" - 24 UNF-2A
Male thread with bulkhead seal, 2-012 O-Ring
Shutter/fan switch is normally open



RECEIVER DRIER

Excavator 4300, 5800, 6000 series with Red Dot A/C unit R-1620-1-24P, R-1625-0-24P, OE#RD-5-3593-1	#6 Male O-Ring, 2 3/4" X 9 5/8" with pressure relief switch	RD-5-3593-1	RD-5-3593-1P	74R1706
--	---	-------------	--------------	----------------

74R1706 RD-5-3593-1P

2 3/4" diameter x 10" long
#6 Male O-Ring
High Capacity
Pressure Relief - Side
Top Port -
3/4" x 24 Switch



RESISTOR - BLOWER FAN

Excavator 4300, 5800, 6000 series with Red Dot A/C unit R-1620-1-24P, R-1625-0-24P, OE#RD-5-9445-0	Resistor, 3 speed for blower assembly	RD-5-9445-0	RD-5-9445-0P	71R1401
--	---------------------------------------	-------------	--------------	----------------

71R1401 RD-5-9445-0P

3 Speed
4 Terminals
22 Amps



THERMOSTATIC SWITCH

Excavator 4300, 5800, 6000 series with Red Dot A/C unit R-1620-1-24P, R-1625-0-24P, OE#RD-5-4531-24	Fixed Setting thermostat with 24" capillary tube, flange/side mt.	RD-5-4531-24P	RD-5-4531-24P	71R3200
---	---	---------------	---------------	----------------

71R3200 RD-5-4531-24P

Mounting hole spacing: 2 1/4"
Capillary Length: 24"
Type: Fixed (side mount)
Temp. Range: 31°- 39°F
Clutch Cycle Range: 8°F



WATER VALVE

Excavator 4300, 5800, 6000 series with Red Dot A/C unit R-1620-1-24P, R-1625-0-24P, OE#RD-1-1419-2	Electronic water valve, 24V, 5/8" hose with actuator	RD-1-1419-2	RD-1-1419-2P	72R6554
--	--	-------------	--------------	----------------

72R6554 RD-1-1419-2P

Electronic Water Valve
5/8" Hose with Actuator
24V



OFF-ROAD APPLICATIONS

Model	Description	OEM Part No.	Factory No.	Part No.
-------	-------------	--------------	-------------	----------

MASSEY FERGUSON

BLOWER MOTOR

Combines 410, 510, 540, 550 series, Massey Ferguson OE#274939M1	Single shaft, 2 speed, 12V, CCW, 4 1/4" length, vented	274939M1	RD-3106-13P	73R0602
Combines 750, 760, 850, 860, 865 series, condenser motor, OE#RD-5-6526-0	Single shaft, 1 speed, 12V, CW, 4 3/4" length, vented	RD-5-6526-0	RD-5-6526-0P	73R0422
Combines 8570, 8590 - with Kysor A/C, evaporator blower	Kysor A/C (evaporator blower), double shaft motor, 1 speed, 12V, 4 7/8" length	107195M91	RD-5-10068-0P	73R4322
Combines 8680, 8780 - with Kysor A/C, evaporator blower	Kysor A/C (evaporator blower), double shaft motor, 1 speed, 12V, 4 7/8" length	70257336-1	RD-5-10068-0P	73R4322

73R0422 RD-5-6526-0P



Single Speed
12 Volt
Rotates CW
Permanent Magnet Motor
Strap/Stud Mounted, Span 2 5/16"
Dimensions: 4 3/4" x 4" x 3"
Shaft: 5/16" diameter, Length: 1 5/8"
Vented
Connector: Two conductor Packard #2984528, 2971859

73R0602 RD-3106-13P



Two Speed
12 Volt
Rotates CCW
Field Wound Motor
Stud Mounted, Span 2 5/16"
Dimensions: 4 1/4" x 3 13/16" x 3"
Shaft: 5/16" diameter, Length: 7/8"
Vented
Connector: Two conductor, orange-high, red-low

73R4322 RD-5-10068-0P



Single Speed
12 Volt
Permanent Magnet Motor
Stud Mounted, Span 2 5/16"
Dimensions: 4 7/8" x 4 1/2" x 3"
Shafts: 5/16" diameter, length: 2 1/2"
Vented
Connector: Two conductor 1/4" spade receptacle

BLOWER SWITCH

All combine and tractor model series with OE#271105M1	Rotary switch, 3 speed, DP3T, 4 position, 5 terminal	271105M1	RD-5-10934-0P	71R1163
---	--	----------	---------------	----------------

71R1163 RD-5-10934-0P



3 speed
DP3T
4-position
5 terminals
25 amps
Mounting hole: .442" x .385" - "D" hole

CLUTCH ASSEMBLY

All series with CCI/York - R12 / 134A compressors, OE#165129C1	2 groove 6" diameter pulley, 1/2" width, 1 5/8" ga, bullet plug	165129C1 024-25078	RD-5-4967-0P	75R0452
All series with CCI/York - R12 / 134A compressors, OE#470039M91	2 groove 7" diameter pulley, 12V, 1/2" width, 2" ga, bullet plug	470039M91 332334 MA 7A	RD-5-4994-0P	75R4502
Combines 8450, 8460, 8590 series with CCI/York Rotolock compressor ER, R210L-25149	2 groove 7" diameter pulley, 12V, 1/2" width, 2" ga, bullet plug	470039M91 332334 MA 7A	RD-5-4994-0P	75R4502
Tractors 300 series 362, 375, 383, 390, 393, 398, 399 with Perkins diesel, fits Sanden SD510 compressors	2 groove 5 1/4" diameter, 1/2" width, (132mm), 1 wire plug	6574-6210 6514-6210	RD-5-5486-0P	75R0202

75R0202 RD-5-5486-0P



Model SD5 (508, 510, 5H14)
Diameter: 5 1/4" / 132mm
Groove: 2
Width: 1/2"
12 Volts
B Distance: 1 9/16" / 40mm
Single wire coil
Bare wire

75R0452 RD-5-4967-0P



Diameter: 6"
Groove: 2
Width: 1/2"
12 Volts
B Dimension: 1 5/8"
Single wire coil
Male bullet plug

75R4502 RD-5-4994-0P



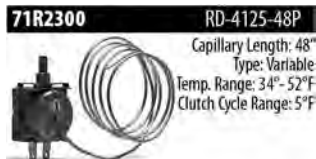
Diameter: 7"
Groove: 2
Width: 1/2"
12 Volts
B Dimension: 2"
Single wire coil
Male bullet plug

Model	Description	OEM Part No.	Factory No.	Part No.
-------	-------------	--------------	-------------	----------

MASSEY FERGUSON

CLUTCH ASSEMBLY CYCLING SWITCH

All combine and tractor model series with OE#D45093000	Rotary thermostat with 48" capillary tube, 34 - 52°F	D45093000	RD-4125-48P	71R2300
--	--	-----------	-------------	----------------



71R2300 RD-4125-48P
 Capillary Length: 48"
 Type: Variable
 Temp. Range: 34°- 52°F
 Clutch Cycle Range: 5°F

COMPRESSOR - GM

All series with universal GM A6 with Superheat switch port, without oil, OE#1131243	1 groove ½" width, 4 7/8" diameter (124mm), generic, 12V	1131243	RD-5-5000-0P	75R8102
All series with new GM A6R without Superheat switch port, without oil, OE#1131243	GM A6 24V, CW, 1 groove ½" width, 7" diameter, metric threads, new, 12V	1131243	RD-5-7566-0P	75R8184
Combines 540, 550, 750, 760 series with universal GM A6 with Superheat switch port, OE#1131243	1 groove ½" width, 4 7/8" diameter (124mm), generic, 12V	1131243	RD-5-5000-0P	75R8102
Combines 850, 860, 865 series with universal GM A6 with Superheat switch port, OE#1131243	1 groove ½" width, 4 7/8" diameter (124mm), generic, 12V	1131243	RD-5-5000-0P	75R8102
Tractors 1085, 1105, 1135, 1155 series with universal GM A6 with Superheat switch port, OE#1131243	1 groove ½" width, 4 7/8" diameter (124mm), generic, 12V	1131243	RD-5-5000-0P	75R8102
Tractors 2640, 2675, 2705, 2745, 2775 series with universal GM A6 with Superheat switch port, OE#1131243	1 groove ½" width, 4 7/8" diameter (124mm), generic, 12V	1131243	RD-5-5000-0P	75R8102
Tractors 4800, 4840, 4880 series with universal GM A6 with Superheat switch port, OE#1131243	1 groove ½" width, 4 7/8" diameter (124mm), generic, 12V	1131243	RD-5-5000-0P	75R8102



75R8102 RD-5-8255-0P
 Single Speed
 12 Volt
 Rotates CCW
 Permanent Magnet Motor
 Strap/Stud Mounted, Span 2 3/8"
 Dimensions: 4 13/16" x 4" x 3"
 Shaft: 5/16" diameter, Length: 1 3/4"
 Vented, Strap diameter (hole to hole): 6 5/16", 120° angle
 Connector: Two female ring terminals



75R8184 RD-5-7566-0P
 GMC A6R, New
 Without Superheat switch port
 7" Single Groove Clutch 24 volt
 Pulley with ½" - ¾" variable groove
 R-12
 Shipped with 10 oz. mineral oil
 Metric thread mounting holes
 Clockwise rotation

COMPRESSOR - SANDEN

All series with Sanden 7H15, #4643 R134a compressor	Sanden 7H15, CB head, ear mt., 2 groove, 5 ¼" (132mm)	4643	RD-5-10292-0P	75R84552
---	---	------	---------------	-----------------

75R84552 RD-5-10292-0P
Model: 7H15HD **Head:** CB **Voltage:** 12
Mount: Ear **Sanden:** 4643
Clutch: 5 ¼" (132mm) A2 Groove **R134a**



MASSEY FERGUSON

OFF-ROAD APPLICATIONS

Model	Description	OEM Part No.	Factory No.	Part No.
-------	-------------	--------------	-------------	----------

MASSEY FERGUSON

ELECTRICAL SWITCH


All combine and tractor model series with OE#1034565M91, 250698M1, 320059M2	Rotary thermostat with 48" capillary tube, 34 - 52°F	1034565M91 250698M1 320059M2	RD-4125-48P	71R2300
All combine and tractor model series with OE#271105M1	Rotary switch, 3 speed, DP3T, 4 position, 5 terminal	271105M1	RD-5-10934-0P	71R1163
All combine and tractor model series with OE#D45093000	Rotary thermostat with 48" capillary tube, 34 - 52°F	D45093000	RD-4125-48P	71R2300

71R1163 RD-5-10934-0P



3 speed
DP3T
4-position
5 terminals
25 amps

71R2300 RD-4125-48P



Capillary Length: 48"
Type: Variable
Temp. Range: 34°- 52°F
Clutch Cycle Range: 5°F

Mounting hole: .442" x .385" - "D" hole

EXPANSION VALVE / BLOCK

Combines 750, 760, 850, 860, 865, 885 series with OE#284238M1	Block valve with female O-Ring fittings	284238M1	RD-5-6868-1P	71R8301
Combines 8775 thru 9745 series with OE#3902334M91	Block valve with female O-Ring fittings	3902334M91	RD-5-7015-1P	71R8321
Tractor 4200 Series 4220, 4225, 4245, 4255 OE#3901517M1	Block valve with female O-Ring fittings	3901517M1	RD-5-7015-1P	71R8321

71R8301 RD-5-6868-0P



Inlet: #6 (3/8") Female O-Ring
Outlet: #10 (5/8") Female O-Ring
Evaporator Fittings
In: #8 (1/2") Female O-Ring
Out: #8 (1/2") Female O-Ring
Superheat Rating: 5°F
Pressure Limit: 80 psig @40°F

71R8321 RD-5-7015-0P



High Capacity (2 Ton)
Inlet: #6 (3/8") Female "O" Ring
Outlet: #10 (5/8") Female O-Ring
Evaporator Fittings
In: #8 (1/2") Female O-Ring
Out: #10 (5/8") Female O-Ring
Superheat Rating: 8°F
Pressure Limit: 53.5 psig @75°F

EXPANSION VALVE / EXTERNAL EQUALIZER

All combine and tractor model series with OE#3038918M91, 3321511M91	Male O-Ring with 13" capillary length, 13" equalizer tube length	3038918M91 3321511M91	RD-5-3824-1P	71R8100
Tractor 3500 Series 3505, 3525, 3545 before serial #C21009 with OE#3380223M1	Male O-Ring, 1 1/2 Ton, 10" capillary length, 10" equalizer tube length	3380223M1	RD-5-5862-0P	71R8080

71R8080 RD-5-5862-0P



External Equalizer
Inlet: #6 (3/8") Male O-Ring
Outlet: #8 (1/2") Male O-Ring
Equalizer Tube
Length: 10"
Nut: 1/2" Male O-Ring
Capillary Tube Length: 10"
Rating: 1 1/2 Ton

71R8100 RD-5-3824-1P



External Equalizer
Inlet: #6 (3/8") Male O-Ring
Outlet: #8 (1/2") Male O-Ring
Equalizer Tube
Length: 13"
Nut: 1/2" Female O-Ring
Capillary Tube Length: 13"
Rating: 1 1/2 Ton

EXPANSION VALVES CONTINUED ON NEXT PAGE

Model	Description	OEM Part No.	Factory No.	Part No.
-------	-------------	--------------	-------------	----------

MASSEY FERGUSON

EXPANSION VALVE / INTERNAL EQUALIZER

All combine and tractor model series with OE#1024984M92, 529876M91	Internal equalizer with male flare with 9" capillary length, flare fittings	1024984M92 529876M91	RD-5-6099-0P	71R8210
All combine and tractor model series with OE#1034564M91, 237409M1	Internal equalizer, 1 ½ Ton, Male O-Ring	3478520M91	RD-5-10445-0P	71R8220
Combines 410, 450, 540, 550 series with OE#3038920M9, M91	Internal equalizer with male flare with 9" capillary length, flare fittings	3038920M9 M91	RD-5-6099-0P	71R8210
Combines 750, 760, 850, 860, 865 series with OE#3038920M9, M91	Internal equalizer with male flare with 9" capillary length, flare fittings	3038920M9 M91	RD-5-6099-0P	71R8210
Tractors 300 series 362, 375, 383, 390, 393, 398, 399 with OE#3478520M91	Internal equalizer, 1 ½ Ton, Male O-Ring	3478520M91	RD-5-10445-0P	71R8220
Tractors 1000, 1085, 1100, 1105, 1130, 1135, 1155 series with OE#3038920M9, M91	Internal equalizer with male flare with 9" capillary length, flare fittings	3038920M9 M91	RD-5-6099-0P	71R8210
Tractors 2600, 2640, 2675, 2700, 2705, 2745, 2775 series with OE#3038920M9, M91	Internal equalizer with male flare with 9" capillary length, flare fittings	3038920M9 M91	RD-5-6099-0P	71R8210
Tractors 4800 series 4800, 4840, 4880 with OE#3038920M9, M91	Internal equalizer with male flare with 9" capillary length, flare fittings	3038920M9 M91	RD-5-6099-0P	71R8210

71R8210 RD-5-6099-0P

Internal Equalizer
Inlet: #6 (½") Male Flare
Outlet: #8 (½") Male Flare
Capillary Tube Length: 9"
Rating: 1 ½ Ton



71R8220 RD-5-10445-0P

Internal Equalizer **LS**
Inlet: #6 (½") Male O-Ring
Outlet: #8 (½") Male O-Ring
Capillary Tube Length: 12"
Rating: 1 ½ Ton



PRESSURE SWITCH

All combine and tractor model series using high pressure switch, OE#111266C1	High Pressure Switch, normally closed 210psi, opens 340 psi, ¼" female flare	111266C1	RD-5-5873-0P	71R6070
All combine and tractor model series using normally closed trinary pressure switch	Trinary Switch, 3 speed, (on-off circuit closed)	BA1240 RD-5-4625-0	RD-5-4625-0P	71R7650
All combine and tractor model series using normally open trinary pressure switch	Trinary switch with female ¾"-20, 4 terminal (on-off circuit open)	A06-18015-000	RD-5-4583-0P	71R7550

71R6070 RD-5-5873-0P

Type: High Side
 Fitting / Connector: ¼" female flare
 Normally Closed – Closes at 210 PSI –
 Opens at 340 PSI



71R7550 RD-5-4583-0P

¾" - 20 UNF-2B
 Female thread for
 male Schrader
 Shutter/fan switch is
 normally open



71R7650 RD-5-4625-0P

¾" - 20 UNF-2B
 Female thread for
 male Schrader
 Shutter/fan switch is
 normally closed



RECEIVER DRIER

All combine and tractor model series with OE#088423-00	Hi Cap #6 Male O-Ring with schrader, pressure relief, 3" x 6 ¼"	088423-00	RD-5-7061-7P	74R2537
All combine and tractor model series with OE#3347710M1	Male & Male O-Ring with Fuse Plug, Low Pressure Switch, use with flare adapters	3347710M1	RD-4160-1P	74R2106
All combine and tractor model series with OE#284208M92, 3712495M1, 376335M1	with #6 Male O-Ring, 3" x 6 ¼"	284208M92 3712495M1 376335M1	RD-5-7061-8P	74R2527
Combines 760 series after serial #17462474, OE#237411M91	with #6 Male O-Ring, 3" x 6 ¼"	237411M91	RD-5-7061-8P	74R2527
Combines 850, 860, 865 series with OE#284208M92	#6 Male O-Ring, 4" x 7 ½", fuse, side port, moisture indicator	284208M92	RD-5-7565-1P	74R3537
Combines 2775 thru 2805 series with OE#1018462M91	Male O-Ring with fuse plug, side port, top glass	1018462M91	RD-5-4950-1P	74R0907
Combines 8450, 8460 series with OE#3347710W1	#6 Male O-Ring, 2 ¾" X 9 ¾", trinary switch (top)	3347710W1	RD-5-4632-1P	74R1906
Combines 8775, 8785, 9735, 9745 series with OE#284208M92, 3712495M1, 376335M1	with #6 Male O-Ring, 3" x 6 ¼"	284208M92 3712495M1 376335M1	RD-5-7061-8P	74R2527

RECIEVER DRIER CONTINUED ON NEXT PAGE

OFF-ROAD APPLICATIONS

MASSEY FERGUSON

Model	Description	OEM Part No.	Factory No.	Part No.
-------	-------------	--------------	-------------	----------

MASSEY FERGUSON

RECEIVER DRIER


Combines 9690, 9790 with male O-Ring, 3" x 8 3/8", hi capacity	Male & Male O-Ring HPRV, MI IN CAP	PH 088193-00 RD-5-11192-0	RD-5-11192-0P	74R2608
Tractors 300 series 362, 375, 383, 390, 393, 398, 399 with R-12, OE#3383321M2	O-Ring Type with #6 male inlet and outlet	3383321M2	RD-5-11531-0P	74R1427
Tractors 300 series 362, 375, 383, 390, 393, 398, 399 with R-134a, OE#3763351M1	with #6 Male O-Ring, 3" x 10", fuse, top port, moisture indicator	3763351M1	RD-5-6768-2P	74R2797
Tractors 2600, 2640, 2675, 2700, 2705, 2745, 2775 series with OE#3039149M91	#6 Male O-Ring, 2 1/2" x 7 1/8", 1/4" male side port	3039149M91	RD-5-7559-0P	74R1106
Tractors 3100 series 3120, 3140 with OE#3383321M2	O-Ring Type with #6 male inlet and outlet	3383321M2	RD-5-11531-0P	74R1427
Tractors 3500 series 3505, 3525, 3545 with OE#338332M1	O-Ring Type with #6 male inlet and outlet	338332M1	RD-5-11531-0P	74R1427
Tractors 3600 series 3660, 3670, 3680, 3690 with OE#3383321M2	O-Ring Type with #6 male inlet and outlet	3383321M2	RD-5-11531-0P	74R1427
Tractors 4200 series 4220, 4225, 4245, 4255 with OE#3712495M1	Male O-ring Type with Switch Port and HPRV	3712495M1	RD-5-11533-0P	74R3107
Tractors 6100 series 6150, 6170, 6180 with OE#3712495M1	Male O-ring Type with Switch Port and HPRV	3712495M1	RD-5-11533-0P	74R3107
Tractors 6200 series 6245, 6250, 6255, 6260, 6265, 6270, 6280, 6290 with OE#3712495M1	Male O-ring Type with Switch Port and HPRV	3712495M1	RD-5-11533-0P	74R3107
Tractors 8100 series 8120, 8140, 8160 with OE#3712495M1	Male O-ring Type with Switch Port and HPRV	3712495M1	RD-5-11533-0P	74R3107
Tractors 8200 series 8210, 8220, 8240, 8245, 8250, 8260, 8270, 8280 with OE#3712495M1	Male O-ring Type with Switch Port and HPRV	3712495M1	RD-5-11533-0P	74R3107

74R0907 RD-5-4950-1P 2 1/2" diameter x 8" long #6 Male O-Ring Fuse Side Port 	74R1106 RD-5-7559-0P 2 1/2" diameter x 7 1/8" long #6 Male O-Ring Side Port 	74R1427 RD-5-11531-0P 3" diameter x 9" long #6 Male O-Ring Volvo VN Series OE#20447319 Mack Granite 2013-2014 	74R1906 RD-5-4632-1P Includes Trinary™ Switch – Top 2 1/2" diameter x 9 1/4" long #6 Male O-Ring High Capacity Pressure Relief Side Port 
74R2106 RD-4160-1P Includes Low Pressure Switch 2 1/2" diameter x 10" long #6 Male O-Ring High Capacity Low Pressure / Pressure Relief Side Port 	74R2527 RD-5-7061-8P 3" diameter x 6 1/4" long #6 Male O-Ring High Capacity Pressure Relief Side Port 	74R3537 RD-5-7565-1P Includes Moisture Indicator 4" diameter x 7 1/2" long #6 Male O-Ring High Capacity Fuse Side Port 	74R2608 RD-5-11192-0P 3" diameter x 8 3/8" long #6 Male O-Ring High Capacity Fuse 
74R2797 RD-5-6768-2P Includes Moisture Indicator 3" diameter x 10 1/4" long #6 Male O-Ring High Capacity Press Relief Top Port 	74R3107 RD-5-11533-0P Includes Moisture Indicator 3" diameter x 9 1/4" long #6 Male O-Ring High Capacity Pressure Relief Top Port 1/4" Schrader Valve 	74R2537 RD-5-7061-7P 3" diameter x 6 1/4" long #6 Male O-Ring (Schrader Port) High Capacity Pressure Relief Side Port 	

THERMOSTATIC SWITCH

All combine and tractor model series with OE#1034565M91, 250698M1, 320059M2	Rotary thermostat with 48" capillary tube, 34 - 52°F	1034565M91 250698M1 320059M2	RD-4125-48P	71R2300
---	--	------------------------------------	-------------	----------------

71R2300 RD-4125-48P
 Capillary Length: 48"
 Type: Variable
 Temp. Range: 34° - 52°F
 Clutch Cycle Range: 5°F



Model	Description	OEM Part No.	Factory No.	Part No.
-------	-------------	--------------	-------------	----------

TAKEUCHI

BLOWER MOTOR

Backhoe BL70 with Red Dot A/C, OE#RD-5-8837-1	Blower Assembly, single speed, 12V, 12 1/4" x 3 1/8" x 4 1/2"	RD-5-8837-1	RD-5-8837-1P	73R5642
Excavator TB1140 with Red Dot A/C unit R-2825-1-24, OE#RD-5-9204-1	Blower Assembly, three speed, 24V, 13 3/4" x 6 1/2" x 5"	RD-5-9204-1	RD-5-9204-1P	73R5624
Mini Excavator TB175 with Red Dot A/C unit R-20500, OE#RD-5-8838-0	Blower Assembly (evaporator), three speed, 24V, 12 1/4" x 3 1/8" x 4 1/2"	RD-5-8838-0	RD-5-8838-0P	73R5534

73R5534 RD-5-8838-0P

Three Speed
442 CFM – 24 volt – 12 1/4" x 3 1/8" x 4 1/2"
Replacement Resistor: 71R1404



73R5624 RD-5-9204-1P

Three Speed
684 CFM – 24 volt – 13 3/4" x 6 1/2" x 5"
Replacement Resistor: 71R1401



73R5642 RD-5-8837-1P

Single Speed – 253 CFM
12 volt – 12 1/4" x 3 1/8" x 4 1/2"



BLOWER - FAN

Mini Excavator TB175 with Red Dot A/C unit R-20500, condenser pancake fan OE#RD-5-8747-5	Condenser pancake fan assembly, 24V, 1 speed, 13" x 13" x 3 3/4"	RD-5-8747-5	RD-5-8747-5P	73R8654
--	--	-------------	--------------	----------------

73R8654 RD-5-8747-5P

Single Speed Puller
24 Volt
Rotates Counter Clockwise
Permanent Magnet Motor
mounted with Shroud & Fan
Dimensions:
13" diameter x 3 3/4" thick
Height 13"



BLOWER - FAN RESISTOR

Backhoe BL70 with Red Dot A/C, OE#RD-5-6450-0	Fan speed blower resistor, 4 speed, 4 terminal	RD-5-6450-0	RD-5-6450-0P	71R1455
Excavator TB1140 with Red Dot A/C unit R-2825-1-24, OE#RD-5-9445-0	Resistor, 3 speed for blower assembly	RD-5-9445-0	RD-5-9445-0P	71R1401
Mini Excavator TB175 with Red Dot A/C unit R-20500, OE#RD-5-9448-0	Resistor, 3 speed for blower assembly	RD-5-9448-0	RD-5-9448-0P	71R1404

71R1455 RD-5-6450-0P

4 Terminals (3/4" blade) / 4 Speeds
Bakelite base: 3 1/4" x 1 3/8" x .10" thick – Height: 1 3/8"



71R1401 RD-5-9445-0P

3 Speed
4 Terminals
22 Amps



COMPRESSOR - SANDEN

Excavator TB1140 with Sanden 7H15FLX #4870, OE#RD-5-10895-0	Sanden 7H15FLX, GV head, ear mt., variable groove, 6 1/4" (158mm)	4870 RD-5-10895-0	RD-5-10895-0P	75R89374
Mini Excavator TB175 with Sanden 7H15, #4742, OE#RD-5-93190-0	Sanden 7H15-HD, KG head, ear mt., 2 groove, 4.9" (125mm)	4742 RD-5-9319-0	RD-5-9319-0P	75R84654
Track Loader TL140, 150 with Sanden 5H09, #5077, OE#RD-5-10493-0P	Sanden 5H09, K head, ear mt., 2 groove, 4.9" (125mm)	5077 RD-5-10493-0	RD-5-10493-0P	75R82142

75R89374 RD-5-10895-0P

Model: 7H15FLX **Head:** GV **Voltage:** 24
Mount: Ear **Sanden:** 4870
Clutch: 6 1/4" (158mm) Variable 1 Groove **R134a**



75R84654 RD-5-9319-0P

Model: 7H15HD **Head:** KG **Voltage:** 24
Mount: Ear **Sanden:** 4742
Clutch: 4.9" (125mm) A2 Groove **R134a**



75R82142 RD-5-10493-0P

Model: 5H09 **Head:** K **Voltage:** 12
Mount: Ear **Sanden:** 5077
Clutch: 4.9" (125mm) A2 Groove **R-134a**



OFF-ROAD APPLICATIONS

Model	Description	OEM Part No.	Factory No.	Part No.
-------	-------------	--------------	-------------	----------

TAKEUCHI

CONDENSER

Excavator TB1140 with Red Dot A/C unit R-2825-1-24, OE#RD-5-9204-1	Multi Flow type, 16 1/4" fin width x 14" x 3/4"	RD-4-5361-0	RD-4-5361-0P	77R1285
Mini Excavator TB175 with Red Dot A/C unit R-20500, OE#RD-4-5722-0	Multi Flow type, 14" fin width x 14" X 7/8"	RD-4-5722-0	RD-4-5722-0P	77R1275

77R1285 RD-4-5361-0P

MultiFlow Type
Overall Width: 18"
Fin Width: 16 1/4"
Height: 14"
Thickness: 3/4"



77R1275 RD-4-5722-0P

MultiFlow Type
Overall Width: 14"
Fin Width: 11 13/32"
Height: 14"
Thickness: 7/8"



EVAPORATOR

Backhoe BL70 with Red Dot A/C, OE#RD-2-3741-0	Dimensions: 8" height x 11 1/2" length x 3 13/32" width	RD-2-3741-0	RD-2-6299-0P	76R7730
Excavator TB1140 with Red Dot A/C unit R-2825-1-24, OE#RD-2-3923-0	Dimensions: 6 1/8" height x 16 1/2" length x 3 13/32" width	RD-2-3923-0	RD-2-3923-0P	76R7450
Mini Excavator TB175 with Red Dot A/C unit R-20500, OE#RD-2-3832-0	Dimensions: 6 1/8" height x 9 3/4" length x 3 19/32" width	RD-2-3832-0	RD-2-3832-0P	76R6325

76R6325 RD-2-3832-0P

6 7/64" high x 9 3/4" long x 3 13/32" wide



76R7450 RD-2-3923-0P

6 7/64" high x 16 1/2" long x 3 13/32" wide



EXPANSION VALVE / BLOCK

Backhoe BL70 with Red Dot A/C, OE#RD-5-7015-0	Block valve with female O-Ring fittings	RD-5-7015-0	RD-5-7015-1P	71R8321
Mini Excavator TB175 with Red Dot A/C unit R-20500, OE#RD-5-6868-0	Block valve with female O-Ring fittings	RD-5-6868-0	RD-5-6868-1P	71R8301

71R8301 RD-5-6868-0P

Inlet: #6 (3/8") Female O-Ring
Outlet: #10 (5/8") Female O-Ring
Evaporator Fittings
In: #8 (1/2") Female O-Ring
Out: #8 (1/2") Female O-Ring
Superheat Rating: 5°F
Pressure Limit: 80 psig @40°F



71R8321 RD-5-7015-0P

High Capacity (2 Ton)
Inlet: #6 (3/8") Female "O" Ring
Outlet: #10 (5/8") Female O-Ring
Evaporator Fittings
In: #8 (1/2") Female O-Ring
Out: #10 (5/8") Female O-Ring
Superheat Rating: 8°F
Pressure Limit: 53.5 psig @75°F



EXPANSION VALVE / ORIFICE TUBE

Excavator TB1140 with Red Dot A/C unit R-2825-1-24, OE#RD-5-10011-0	Main unit, orange tube, blue orifice with green HBNR	RD-5-10011-0	RD-5-10011-0P	71R8504
---	--	--------------	---------------	----------------

71R8504 RD-5-10011-0P

Orange - Length: 3.46", O.D.: .429", Orifice: .057"



Model	Description	OEM Part No.	Factory No.	Part No.
-------	-------------	--------------	-------------	----------

TAKEUCHI

FILTER

Excavator TB1140 with Red Dot A/C unit R-2825-1-24, OE#RD-3-10331-0	Recirculating air foam filter, 16 5/16" x 5 3/4" x 1/2"	RD-3-10331-0	RD-3-10331-0P	78R5301
Mini Excavator TB175 with Red Dot A/C unit R-1630, R-20500, OE#RD-3-10591-0	Fresh air frame filter, 10 1/16" x 4 7/16" x 1/2"	RD-3-10591-0	RD-3-10591-0P	78R5355

78R5301 RD-3-10331-0P

16 5/16" wide x 5 3/4" high x 1/2" thick



78R5355 RD-3-10591-0P

10 1/16" wide x 4 7/16" high x 1/2" thick



HEATER

Excavator TB1140 with Red Dot A/C unit R-2825-1-24, OE#RD-1-2333-0	Dimensions: 8" height x 11 1/2" length x 1 1/2" width	RD-1-2333-0	RD-1-2333-0P	76R4100
Mini Excavator TB175 with Red Dot A/C unit R-20500, OE#RD-1-2069-0	Dimensions: 6" height x 11" length x 2 3/16" width	RD-1-2069-0	RD-1-2069-0P	76R2740

76R4100 RD-1-2333-0P

6 7/64" high x 16 1/2" long x 2 1/64" wide



76R2740 RD-1-2069-0P

6" high x 11" long x 2 3/16" wide



PRESSURE SWITCH

Mini Excavator TB175 with Red Dot A/C unit R-1630, R-20500, OE#RD-5-8433-0	Dual function switch (Fujikoki) with 7/16"-20, 4 terminal	RD-5-8433-0 A22-36474-000	RD-5-8433-0P	71R7075
--	---	------------------------------	--------------	----------------

71R7075 RD-5-8433-0P

	OPEN	CLOSED
LOW	± 2	28
HIGH	± 28	384

Thread: 7/16" - 20 UNF
Orange Fan
Switch



OFF-ROAD APPLICATIONS

Model	Description	OEM Part No.	Factory No.	Part No.
-------	-------------	--------------	-------------	----------

TAKEUCHI

RECEIVER DRIER

Excavator TB1140 with Red Dot A/C unit R-2825-1-24, OE#RD-5-4947-0	In-line Drier, 2 1/2" X 6 3/4"	RD-5-4947-0	RD-5-4947-0P	74R0450
Mini Excavator TB175 with Red Dot A/C unit R-20500, OE#RD-5-9389-0	In-line Drier, 2 1/2" X 6 3/4"	RD-5-9389-0	RD-5-9389-1P	74R2801

74R0450 RD-5-4947-0P

2 1/2" diameter x 6 3/4" long
#6 - #8 Male O-Ring In-line - No Port, No Glass



74R2801 RD-5-9389-1P

3" diameter x 9" long
#6 Male O-Ring Pressure Relief



RESISTOR

Backhoe BL70 with Red Dot A/C, OE#RD-5-6450-0	Fan speed blower resistor, 4 speed, 4 terminal	RD-5-6450-0	RD-5-6450-0P	71R1455
Excavator TB1140 with Red Dot A/C unit R-2825-1-24, OE#RD-5-9445-0	Resistor, 3 speed for blower assembly	RD-5-9445-0	RD-5-9445-0P	71R1401
Mini Excavator TB175 with Red Dot A/C unit R-20500, OE#RD-5-9448-0	Resistor, 3 speed for blower assembly	RD-5-9448-0	RD-5-9448-0P	71R1404

71R1455 RD-5-6450-0P

4 Terminals (3/4" blade) / 4 Speeds
Bakelite base: 3 1/4" x 1 3/8" x .10" thick - Height: 1 3/8"



71R1401 RD-5-9445-0P

3 Speed
4 Terminals
22 Amps



71R1404 RD-5-9448-0P

3 Speed
4 Terminals
12 Amps
Fits
73R5534



TAKEUCHI

THERMOSTATIC SWITCH

Backhoe BL70 with Red Dot A/C, OE#RD-5-4531-24	Thermostat for standard control units, fixed setting with 24" capillary tube, flange/side mt.	RD-5-4531-24	RD-5-4531-24P	71R3200
Excavator TB1140 with Red Dot A/C unit R-2825-1-24, OE#RD-5-6429-0	Fixed Setting thermostat with 16" capillary tube, flange mt.	RD-5-6429-0	RD-5-6429-0P	71R3150
Mini Excavator TB175 with Red Dot A/C unit R-20500, OE#RD-5-4531-24	Thermostat for standard control units, fixed setting with 24" capillary tube, flange/side mt.	RD-5-4531-24	RD-5-4531-24P	71R3200

71R3150 RD-5-6429-0P

Capillary Length: 16"
Type: Fixed
Temp. Range: 28°- 35°F
Clutch Cycle Range: 7°F



71R3200 RD-5-4531-24P

Mounting hole spacing: 2 1/4"
Capillary Length: 24"
Type: Fixed (side mount)
Temp. Range: 31°- 39°F
Clutch Cycle Range: 8°F



WATER VALVE

Excavator TB1140 with Red Dot A/C unit R-2825-1-24, OE#RD-4257-0	Cable operated for standard control units, 3/8" hose to 3/8" hose	RD-4257-0	RD-4257-0P	72R5050
Mini Excavator TB175 with Red Dot A/C unit R-20500, OE#RD-4257-0	Cable operated for standard control units, 3/8" hose to 3/8" hose	RD-4257-0	RD-4257-0P	72R5050

72R5050 RD-4257-0P

5/8" hose to 5/8" hose



Model	Description	OEM Part No.	Factory No.	Part No.
-------	-------------	--------------	-------------	----------

TEREX

CLUTCH ASSEMBLY

All series with CCI/York - R12 / 134A compressors, OE#024-25078, MA6, MAE6AR	2 groove 6" diameter pulley, 1/2" width, 1 3/8" ga, bullet plug	024-25078 MA6 MAE6AR	RD-5-4967-0P	75R0452
All series with CCI/York - R12 / 134A compressors, OE#332334, MA 7A	2 groove 7" diameter pulley, 12V, 1/2" width, 2" ga, bullet plug	332334 MA 7A	RD-5-4994-0P	75R4502

75R4502 RD-5-4994-0P

Diameter: 7"
Groove: 2
Width: 1/2"
12 Volts
B Dimension: 2"



Single wire coil
Male bullet plug

75R0452 RD-5-4967-0P

Diameter: 6"
Groove: 2
Width: 1/2"
12 Volts
B Dimension: 1 3/8"



Single wire coil
Male bullet plug

EXPANSION VALVE / EXTERNAL EQUALIZER

All model series with OE#9053997	Male O-Ring with 13" capillary length, 13" equalizer tube length	9053997	RD-5-3824-1P	71R8100
----------------------------------	--	---------	--------------	----------------

71R8100 RD-5-3824-1P

External Equalizer
Inlet: #6 (1/8") Male O-Ring
Outlet: #8 (1/4") Male O-Ring
Equalizer Tube
Length: 13"
Nut: 1/4" Female O-Ring
Capillary Tube Length: 13"
Rating: 1 1/2 Ton



RECEIVER DRIER

All model series with OE#RD-5-7559-0, Eagle A/C	#6 Male O-Ring, 2 1/2" x 7 1/8", 1/4" male side port	RD-5-7559-0	RD-5-7559-0P	74R1106
All model series using Red Dot A/C unit R-10046-0, R-10047-0, OE#088273-00	#6 Male O-Ring, 2 1/2" x 7 1/8", 1/4" male side port	088273-00	RD-5-7559-0P	74R1106

74R1106 RD-5-7559-0P

2 1/2" diameter x 7 1/8" long
#6 Male O-Ring
Side Port



THERMOSTATIC SWITCH

All model series with OE#9038467	Rotary thermostat with 18" capillary tube, 28 - 62°F	9038467	RD-5-4909-0P	71R2100
All model series with Red Dot A/C, OE#RD-4226-0P	Cable controlled thermostat, 30" capillary tube, 34 - 54°F	RD-4226-0P	RD-4226-0P	71R2700

71R2100 RD-5-4909-0P

Capillary Length: 18"
Type: Variable
Temp. Range: 28° - 62°F
Clutch Cycle Range: 6°F



71R2700 RD-4226-0P

Pull for cold Variable temp. Mounting hole spacing 2 1/16"
Capillary Length: 30"
Type: Variable
Temp. Range: 34° - 54°F
Clutch Cycle Range: 5°F



TEREX

OFF-ROAD APPLICATIONS

Model	Description	OEM Part No.	Factory No.	Part No.
-------	-------------	--------------	-------------	----------

TIMBERJACK

BLOWER MOTOR

Feller Buncher 608L, 608S, 850 with Red Dot A/C unit R-2825-0, OE#RD-5-9204-1	Blower Assembly, three speed, 24V, 13 3/4" x 6 1/2" x 5"	RD-5-9204-1	RD-5-9204-1P	73R5624
Skidder series models with Red Dot model R-9725-0, R-9755-0, OE#RD-5-3780-0	Double shaft motor, 12V, 3 speed, 4" length	RD-5-3780-0	RD-5-3780-0P	73R4102
Skidder series models, condenser motor, OE#RD-5-8709-0	Single shaft, 1 speed, 12V, CW, 4 3/4" length, vented	RD-5-8709-0	RD-5-14193-0P	RD-5-14193-0P

73R4102 RD-5-3780-0P

Three Speed
12 Volt
Field Wound Motor
Strap / Stud Mounted, Span 2 5/16"
Dimensions: 4" x 3 13/32" x 3"
Shafts: 1/16" diameter, length: 3"
Vented
Connector: Four conductor
1/4" female spade



73R5624 RD-5-9204-1P

Three Speed
684 CFM - 24 volt - 13 3/4" x 6 1/2" x 5"
Replacement Resistor 71R1401



BLOWER - FAN RESISTOR

Feller Buncher 608L, 608S, 850 with Red Dot A/C unit R-2825-0, OE#RD-5-9445-0	Resistor, 3 speed for blower assembly	RD-5-9445-0	RD-5-9445-0P	71R1401
---	---------------------------------------	-------------	--------------	----------------

CONDENSER

Feller Buncher 608L, 608S with Red Dot A/C unit R-2825-0, OE#RD-5-9204-1	Grilldenser type, fin width 37" x 33 5/8" x 1 1/2" thick	RD-4-5655-0	RD-4-5655-1P	77R6255
Feller Buncher 850 with Red Dot A/C unit R-2825-0, OE#RD-4-5743-0	Grilldenser type, fin width 31 7/8" x 34 19/32" x 1 5/64" thick	RD-4-5743-0	RD-4-5743-0P	77R6250
Skidder series models with Red Dot model R-9725-0, R-9755-0, OE#RD-4-4440-0	Tube & Fin type, fin width 18 1/2" x 7 3/32" x 2 1/2" thick	RD-4-4440-0	RD-4-4440-0P	77R0090

77R0090 RD-4-4440-0P

Tube & Fin Type
Overall Width: 22 1/2"
Fin Width: 18 1/2"
Height: 7 3/32"
Thickness: 2 1/2"



77R6250 RD-4-5743-0P

Grilldenser Type
Overall Width: 49"
Hinged 37" header
to header
Fin Width: 37"
Height: 33 5/8"
Thickness: 1 1/2"



77R6255 RD-4-5655-1P

Grilldenser Type
Hinged Assembly
Overall Width: 40 5/32"
Fin Width: 31 7/8"
Height: 34 19/32"
Thickness: 1 5/64"



EVAPORATOR

Feller Buncher 608L, 608S, 850 with Red Dot A/C unit R-2825-0, OE#RD-5-9204-1	Dimensions: 6 1/8" height x 16 1/2" length x 3 13/32" width	RD-2-3923-0	RD-2-3923-0P	76R7450
Skidder series models with Red Dot model R-9725-0, R-9755-0, OE#RD-2-2047-0	Dimensions: 4" height x 17 7/8" length x 2 3/4" width	RD-2-2047-0	RD-2-2047-0P	76R4920

76R7450 RD-2-3923-0P

6 1/8" high x 16 1/2" long x 3 13/32" wide



76R4920 RD-2-2047-0P

4" high x 17 7/8" long x 2 3/4" wide



EXPANSION VALVE / BLOCK

Skidder series models with Red Dot model R-9725-0, R-9755-0, OE#RD-2-2047-0	Block valve, 1 1/2 ton, female O-Ring, 80 psig @ 40°F	RD-5-6868-1 1676649-C1	RD-5-6868-1P	71R8301
---	---	---------------------------	--------------	----------------

71R8301 RD-5-6868-0P

Inlet: #6 (3/8") Female O-Ring
Outlet: #10 (3/8") Female O-Ring
Evaporator Fittings:
In: #8 (1/2") Female O-Ring
Out: #8 (1/2") Female O-Ring
Superheat Rating: 5°F
Pressure Limit: 80 psig @40°F



EXPANSION VALVES CONTINUED ON NEXT PAGE

Model	Description	OEM Part No.	Factory No.	Part No.
-------	-------------	--------------	-------------	----------

TIMBERJACK

EXPANSION VALVE / ORIFICE TUBE

Feller Buncher 608L, 608S, 850 with Red Dot A/C unit R-2825-0, OE#RD-5-9204-1	Main unit, orange tube, blue orifice with green HBNR	RD-5-10011-0	RD-5-10011-0P	71R8504
---	--	--------------	---------------	----------------

71R8504 RD-5-10011-0P

Orange — Length: 3.46", O.D.: .429", Orifice: .057"



FILTER

Feller Buncher 608L, 608S, 850 with Red Dot A/C unit R-2825-0, OE#RD-3-10331-0	Recirculating air foam filter, 16 5/8" x 5 3/4" x 1/2"	RD-3-10331-0	RD-3-10331-0P	78R5301
--	--	--------------	---------------	----------------

Skidder series models with Red Dot model R-9725-0, R-9755-0, OE#RD-5-6867-0	Fresh air frame filter, 18 7/8" x 4 9/16" x 5/16"	RD-5-6867-0P	RD-5-6867-0P	78R5350
---	---	--------------	--------------	----------------

78R5301 RD-3-10331-0P

16 5/8" wide x 5 3/4" high x 1/2" thick



78R5350 RD-5-6867-0P

18 7/8" wide x 4 9/16" high x 5/16" thick



HEATER

Feller Buncher 608L, 608S, 850 with Red Dot A/C unit R-2825-0, OE#RD-1-2333-0	Dimensions: 8" height x 11 1/2" length x 1 1/2" width	RD-1-2333-0	RD-1-2333-0P	76R4100
---	---	-------------	--------------	----------------

76R4100 RD-1-2333-0P

6 7/64" high x 16 1/2" long x 2 7/64" wide



RESISTOR

Feller Buncher 608L, 608S, 850 with Red Dot A/C unit R-2825-0, OE#RD-5-9445-0	Resistor, 3 speed for blower assembly	RD-5-9445-0	RD-5-9445-0P	71R1401
---	---------------------------------------	-------------	--------------	----------------

71R1401 RD-5-9445-0P

3 Speed
4 Terminals
22 Amps



THERMOSTATIC SWITCH

Feller Buncher 608L, 608S, 850 with Red Dot A/C unit R-2825-0, OE#RD-5-6429-0	Fixed Setting thermostat with 16" capillary tube, flange mt.	RD-5-6429-0	RD-5-6429-0P	71R3150
---	--	-------------	--------------	----------------

Skidder series models with Red Dot model R-9725-0, R-9755-0, OE#RD-5-4531-24	Thermostat for standard control units, fixed setting with 24" capillary tube, flange/side mt.	RD-5-4531-24	RD-5-4531-24P	71R3200
--	---	--------------	---------------	----------------

71R3150 RD-5-6429-0P

Capillary Length: 16"
Type: Fixed
Temp. Range: 28°- 35°F
Clutch Cycle Range: 7°F



71R3200 RD-5-4531-24P

Mounting hole spacing: 2 1/4"
Capillary Length: 24"
Type: Fixed (side mount)
Temp. Range: 31°- 39°F
Clutch Cycle Range: 8°F



WATER VALVE

Feller Buncher 608L, 608S, 850 with Red Dot A/C unit R-2825-0, OE#RD-5-5119-0	Cable operated valve, straight, 5/8" to 5/8" hose	RD-5-5119-0 1-1574Q MA1060	RD-5-5119-0P	72R5060
---	---	----------------------------------	--------------	----------------

72R5060 RD-5-5119-0P

5/8" hose to 5/8" hose



OFF-ROAD APPLICATIONS

Model	Description	OEM Part No.	Factory No.	Part No.
-------	-------------	--------------	-------------	----------

VERSATILE

BLOWER MOTOR

All Swathers and tractors with Kysor A/C evaporator, OE#275158	Kysor A/C (evaporator blower), double shaft motor, 1 speed, 12V, 4 7/8" length	70257336-1	RD-5-10068-0P	73R4322
All Swathers and tractors with Kysor A/C evaporator, OE#275152	Double shaft blower motor (only), 1 speed, 4 3/4" length, 12V vented	275152	RD-5-6801-0P	73R4182
All Swathers and tractors with Kysor A/C condenser, OE#275130	Kysor A/C, single shaft-non-vented, 1 speed, CW, 4 7/8" length	275130	RD-5-7129-0P	73R0542

73R0542 RD-5-7129-0P



Single Speed
12 Volt
Rotates CW
Permanent Magnet Motor
Strap/Stud Mounted, Span 2 3/8"
Dimensions: 4 7/8" x 4" x 3"
Shaft: 3/16" diameter, Length: 1 1/4"
Non Vented
Connector: Male blade with Packard #8900420

73R4182 RD-5-6801-0P



Single Speed
12 Volt
Permanent Magnet Motor
Strap / Stud Mounted, Span 2 3/8"
Dimensions: 4 3/4" x 4" x 3"
Shafts: 3/16" diameter, length: 2 3/4"
Vented
Connector: 1/4" spade receptacle

73R4322 RD-5-10068-0P



Single Speed
12 Volt
Permanent Magnet Motor
Stud Mounted, Span 2 3/8"
Dimensions: 4 7/8" x 4 1/2" x 3"
Shafts: 3/16" diameter, length: 2 1/2"
Vented
Connector: Two conductor 1/4" spade receptacle

BLOWER SWITCH

All Swathers and tractors with OE#4K754	Rotary switch, DP3T, 3 speed, short shaft thread	4K754 BOA-80-926-00-059	RD-5-9833-0P	71R1160
All Swathers and tractors with OE#RD-5-10934-0, 71195109	Rotary switch, 3 speed, DP3T, 4 position, 5 terminal	RD-5-10934-0 71195109	RD-5-10934-0P	71R1163

71R1160 RD-5-9833-0P



3 speed, Short Shaft
DP3T
4-position
5 terminals
25 amps
Mounting hole: .442" x .385" - "D" hole

71R1163 RD-5-10934-0P



3 speed
DP3T
4-position
5 terminals
25 amps
Mounting hole: .442" x .385" - "D" hole

CLUTCH ASSEMBLY

All Swathers with Kysor A/C with Sanden SD508 compressors, OE#6574-6210, 6514-6210	2 groove 5 1/4" diameter, 1/2" width, (132mm), 1 wire plug	6574-6210 6514-6210	RD-5-5486-0P	75R0202
All Swathers and tractors with CCI/York - R12 / 134A compressors OE#024-25078, MA6, MAE6AR	2 groove 6" diameter pulley, 1/2" width, 1 5/8" ga, bullet plug	024-25078 MA6 MAE6AR	RD-5-4967-0P	75R0452
All Swathers and tractors with CCI/York - R12 / 134A compressors, OE#332334, MA 7A	2 groove 7" diameter pulley, 12V, 1/2" width, 2" ga, bullet plug	332334 MA 7A	RD-5-4994-0P	75R4502
All Swathers and tractors with Sanden SD5 (508 / 510 / 5H14) R12/R134a compressors	2 groove 5 1/4" diameter, 1/2" width, (132mm), 1 wire plug	6574-6210 6514-6210	RD-5-5486-0P	75R0202
All Swathers and tractors with Sanden SD7H15HD R134a compressor, OE #6504-6310	2 groove 1/2" width, 5 1/4" diameter (132mm)	6504-6310	RD-5-10379-0P	75R1542
Tractors 256, 276, 550, 555 with Sanden SD510 R12/ R134a compressor, OE#6574-6210, 6514-6210	2 groove 5 1/4" diameter, 1/2" width, (132mm), 1 wire plug	6574-6210 6514-6210	RD-5-5486-0P	75R0202
Tractors 855, 875, 876 with Sanden SD510 R12/R134a compressor, OE#6574-6210, 6514-6210	2 groove 5 1/4" diameter, 1/2" width, (132mm), 1 wire plug	6574-6210 6514-6210	RD-5-5486-0P	75R0202
Tractors 900, 935, 950, 975 with Sanden SD510 R12/ R134a compressor, OE#6574-6210, 6514-6210	2 groove 5 1/4" diameter, 1/2" width, (132mm), 1 wire plug	6574-6210 6514-6210	RD-5-5486-0P	75R0202
Tractors 1150, 1153 with Sanden SD510 R12/R134a compressor, OE#6574-6210, 6514-6210	2 groove 5 1/4" diameter, 1/2" width, (132mm), 1 wire plug	6574-6210 6514-6210	RD-5-5486-0P	75R0202

75R0202 RD-5-5486-0P



Model SD5 (508, 510, 5H14)
Diameter: 5 1/4" / 132mm
Groove: 2
Width: 1/2"
12 Volts
B Distance: 1 9/16" / 40mm
Single wire coil
Bare wire

75R0452 RD-5-4967-0P



Diameter: 6"
Groove: 2
Width: 1/2"
12 Volts
B Dimension: 1 5/8"
Single wire coil
Male bullet plug

75R1542 RD-5-10369-0P



OE # 6504-6010
Model 709 / 7H15
Diameter: 5 1/4" / 132mm
Groove: 2
Width: 1/2"
12 Volts
B Distance: 1 9/16" / 40mm
Double wire coil
Ford OE plug

75R4502 RD-5-4994-0P



Diameter: 7"
Groove: 2
Width: 1/2"
12 Volts
B Dimension: 2"
Single wire coil
Male bullet plug

VERSATILE

Model	Description	OEM Part No.	Factory No.	Part No.
-------	-------------	--------------	-------------	----------

VERSATILE

COMPRESSOR - SANDEN

All tractor series with Sanden 7H15, # 6664 R134a compressor	7H15, JD head, ear mount 2 groove, 5 1/4" (132mm) diameter	6664 72239750	RD-5-7088-0P	75R8382
All tractor series with Sanden 5H14, #6665 R134a compressors, 24V	5H14-HD, FL head, 24V, 2A groove, 5 1/4" (132mm) diameter	6665	RD-5-7089-0P	75R8384
Tractors 700, 750 with Sanden 5H14, OE#4511, 6671 R-134a compressor	SD5H14, C head, ear mount, 2A groove, 6 1/4" (132mm) diameter	4511 6671	RD-5-8945-0P	75R8252

75R8382	RD-5-7088-0P
Model: 7H15	Head: JD
Mount: Ear	Voltage: 12
Clutch: 5 1/4" (132mm) A2 Groove	Sanden: 4509, 4510, 6664
	R134a

75R8384	RD-5-7089-0P
Model: 7H15	Head: JD
Mount: Ear	Voltage: 24
Clutch: 5 1/4" (132mm) A2 Groove	Sanden: 4506, 4507, 6627, 6665, 4271
	R134a



ELECTRICAL SWITCH

All Swathers and tractors with OE#53620, 404028	Rotary thermostat, 36" capillary tube, 34 - 52°F	53620 404028	RD-4125-36P	71R2250
All Swathers and tractors with OE#4K754	Rotary switch, DP3T, 3 speed, short shaft thread	4K754 BOA-80-926-00-059	RD-5-9833-0P	71R1160
All Swathers and tractors with OE#RD-5-10934-0, 71195109	Rotary switch, 3 speed, DP3T, 4 position, 5 terminal	RD-5-10934-0 71195109	RD-5-10934-0P	71R1163

71R2250	RD-4125-36P
	Capillary Length: 36"
	Type: Variable
	Temp. Range: 34°- 52°F
	Clutch Cycle Range: 5°F

71R1160	RD-5-9833-0P
	3 speed, Short Shaft
	DP3T
	4-position
	5 terminals
	25 amps
	Mounting hole: .442" x .385" - "D" hole

71R1163	RD-5-10934-0P
	3 speed
	DP3T
	4-position
	5 terminals
	25 amps
	Mounting hole: .442" x .385" - "D" hole

EXPANSION VALVE / BLOCK

All Swathers and tractors with block valve, OE#79840	Block valve with female O-Ring fittings	79840	RD-5-6868-1P	71R8301
Swathers and tractors with Kysor A/C with block valve, OE#404087, 404098	Block valve with female O-Ring fittings	404087 404098	RD-5-6868-1P	71R8301
Tractors 1150, 1153 with block valve, OE#79840	Block valve with female O-Ring fittings	79840	RD-5-6868-1P	71R8301

71R8301	RD-5-6868-0P
	Inlet: #6 (3/8") Female O-Ring
	Outlet: #10 (5/8") Female O-Ring
	Evaporator Fittings:
	In: #8 (1/2") Female O-Ring
	Out: #8 (1/2") Female O-Ring
	Superheat Rating: 5°F
	Pressure Limit: 80 psig @40°F

VERSATILE

OFF-ROAD APPLICATIONS

Model	Description	OEM Part No.	Factory No.	Part No.
-------	-------------	--------------	-------------	----------

VERSATILE

EXPANSION VALVE / EXTERNAL EQUALIZER

All Swathers and tractors with right angle valve, OE#404073	Male O-Ring with 13" capillary length, 13" equalizer tube length	404073	RD-5-3824-1P	71R8100
Tractors 256, 276 with right angle valve, OE#70267	Male O-Ring with 13" capillary length, 13" equalizer tube length	70267	RD-5-3824-1P	71R8100
All Swathers and tractors with flare fitting, OE#18384	Internal equalizer, 1 1/2 ton, with male flare with 9" capillary length, flare fittings	18384	RD-5-6099-0P	71R8210
All Swathers and tractors with O-Ring fitting, OE#826-004	Internal equalizer valve with male O-Ring fittings	826-004	RD-5-11033-0P	71R8060
Tractors 800, 825, 835, 850, 900, 935, 950, 975 with OE#18384	Internal equalizer, 1 1/2 Ton, Male O-Ring	18384	RD-5-6099-0P	71R8210

71R8060 RD-5-11033-0P

Internal Equalizer

Inlet: #6 (1/2") Male O-Ring

Outlet: #8 (1/2") Male O-Ring

Capillary Tube Length: 12"

Rating: 1 1/2 Ton



71R8100 RD-5-3824-1P

External Equalizer

Inlet: #6 (1/2") Male O-Ring

Outlet: #8 (1/2") Male O-Ring

Equalizer Tube

Length: 13"

Nut: 1/4" Female O-Ring

Capillary Tube Length: 13"

Rating: 1 1/2 Ton



71R8210 RD-5-6099-0P

Internal Equalizer

Inlet: #6 (1/2") Male Flare

Outlet: #8 (1/2") Male Flare

Capillary Tube Length: 9"

Rating: 1 1/2 Ton



PRESSURE SWITCH

All Swathers and tractors with OE#404081	High Pressure Fan switch with M10 threads, opens 300 psi, closes 250psi	404081 AR45868	RD-5-8287-0P	71R6210
--	---	-------------------	--------------	----------------

71R6210 RD-5-8287-0P

Type: High Side - Gray

Fitting / Connector: M10 x 1.25 female / two-conductor

male Weatherpak

Normally Closed - Closes at 250 PSI -

Opens at 300 PSI



RECEIVER DRIER

All Swathers and tractors with OE#085098-00	Male O-Ring with fuse plug, side port, top glass	085098-00	RD-5-4950-1P	74R0907
All Swathers and tractors with OE#088424-01	with #6 Male O-Ring, 3" x 6 1/4"	088424-01	RD-5-7061-8P	74R2527
All Swathers and tractors with OE#30080	with #6 Male Flare (top and side), 4" X 6 3/4"	30080 1162927	RD-5-6077-1P	74R4017
All Swathers and tractors with OE#48510	with #6 Male O-Ring, 3" x 10", fuse, top port	48510 9827053	RD-5-6504-1P	74R2306
All Swathers and tractors with OE#70966, 088411-01	In-line, #6 Male O-Ring, 2 1/2" x 9 3/8"	70966 088411-01	RD-5-7064-1P	74R0462
Tractors 256, 276 with OE#48510	Male & Male O-Ring HPRV, MI IN CAP, 3" x 8 3/8", hi capacity	48510 PH 088193-00	RD-5-11192-0P	74R2608

74R0462 RD-5-7064-1P

2 1/2" diameter x 9 3/8" long

#6 Male O-Ring In-line - High Capacity



74R0907 RD-5-4950-1P

2 1/2" diameter x 8" long

#6 Male O-Ring

Fuse

Side Port



74R2306 RD-5-6504-1P

Includes Moisture Indicator

3" diameter x 10" long

#6 Male O-Ring

Fuse

Top Port



74R2527 RD-5-7061-8P

3" diameter x 6 1/4" long

#6 Male O-Ring

High Capacity

Pressure Relief

Side Port



74R2608 RD-5-11192-0P

3" diameter x 8 3/8" long

#6 Male O-Ring

High Capacity

Fuse



74R4017 RD-5-6077-1P

4" diameter x 6 3/4" long

#6 Male Flare (Top and side)

Fuse

IHC/Novistar 539049-R91



VERSATILE

Model	Description	OEM Part No.	Factory No.	Part No.
-------	-------------	--------------	-------------	----------

VERSATILE

THERMOSTATIC SWITCH

All Swathers and tractors with OE#18342	Rotary thermostat with 48" capillary tube, 34 - 52°F	18342 0272229-6	RD-4125-48P	71R2300
All Swathers and tractors with OE#53620	Rotary thermostat, 36" capillary tube, 34 - 52°F	53620	RD-4125-36P	71R2250
All Swathers and tractors with Kysor A/C, OE#404028	Rotary thermostat, 36" capillary tube, 34 - 52°F	404028	RD-4125-36P	71R2250



OFF-ROAD APPLICATIONS

Model	Description	OEM Part No.	Factory No.	Part No.
-------	-------------	--------------	-------------	----------

VME

EXPANSION VALVE / EXTERNAL EQUALIZER

Tractor 175B, 175C series with OE#3380223M1, RD-5-5862-0	Male O-Ring, 1 ½ Ton, 10" capillary length, 10" equalizer tube length	3380223M1	RD-5-5862-0P	71R8080
Tractor 275B, 275C series with OE#3380223M1, RD-5-5862-0	Male O-Ring, 1 ½ Ton, 10" capillary length, 10" equalizer tube length	3380223M1	RD-5-5862-0P	71R8080

71R8080 RD-5-5862-0P

External Equalizer

Inlet: #6 (3/8") Male O-Ring

Outlet: #8 (1/2") Male O-Ring

Equalizer Tube

Length: 10"

Nut: 3/8" Male O-Ring

Capillary Tube Length: 10"

Rating: 1 ½ Ton



RECEIVER DRIER

Tractor 175C, 380 series with OE#RD-5-6075-0, 118304-C1, 118418-C1	with #6 Male O-Ring (top and side), 4" X 6 3/4"	RD-5-6075-0 118304-C1 118418-C1	RD-5-6075-1P	74R4007
Tractor 175B, 275C series with drier, OE#RD-5-5955-0	#6 Male O-Ring, 4" x 7 3/4", side port, low pressure switch, moisture indicator	RD-5-5955-0 088209-02 106-5534 5V5698	RD-5-5955-1P	74R3517

74R4007 RD-5-6075-1P

4" diameter x 6 3/4" long
#6 Male O-Ring (Top & Side)
Fuse
Side Glass



74R3517 RD-5-5955-1P

Includes Low Pressure Switch & Moisture Indicator
4" diameter x 7 3/4" long
#6 Male O-Ring
Pressure Relief - Side Port



THERMOSTATIC SWITCH

Tractor 380 series with OE#RD-5-4911-0, 404077	Cable controlled with 18" capillary tube, 26 - 66°F	RD-5-4911-0 404077	RD-5-4911-0P	71R2600
--	---	-----------------------	--------------	----------------

71R2600 RD-5-4911-0P

Hole spacing: 2 3/16"
Capillary Length: 18"
Type: Variable
Temp. Range: 26° - 66°F
Clutch Cycle Range: 8°F



Model	Description	OEM Part No.	Factory No.	Part No.
-------	-------------	--------------	-------------	----------

VOLVO OFF-ROAD

BLOWER MOTOR

Backhoe BL70 series used with Red Dot A/C unit R-9100-0, OE#RD-5-9204-0	Blower assembly, 3 speed, 12V, 684 cfm, 13 3/4" x 6 1/2" x 5"	RD-5-9204-0	RD-5-9204-0P	73R5622
Backhoe BL70 series used with Red Dot A/C unit R-9110-0, OE#RD-5-8837-1	Blower assembly, 1 speed, 12V, 12 1/4" x 3 1/8" x 4 1/2"	RD-5-8837-1	RD-5-8837-1P	73R5642
Backhoe, Loader and Tractor L20B, L25B series	2RD570M Unit with Heater A/C, 12V blower motor assy	RD 5 8837 0	RD-5-8837-0P	73R5532

73R5532 RD-5-8837-0P
Three Speed
442 CFM – 12 volt – 12 1/4" x 3 1/8" x 4 1/2"
Replacement Resistor: 71R1403



73R5622 RD-5-9204-0P
Three Speed
684 CFM – 12 volt – 13 3/4" x 6 1/2" x 5"
Replacement Resistor: 71R1402



73R5642 RD-5-8837-1P
Single Speed – 253 CFM
12 volt – 12 1/4" x 3 1/8" x 4 1/2"



BLOWER - FAN RESISTOR

Backhoe BL70 series used with Red Dot A/C unit R-9110-0, OE#RD-5-6450-0	Fan speed blower resistor, 4 speed, 4 terminal	RD-5-6450-0	RD-5-6450-0P	71R1455
Backhoe BL70 series used with Red Dot A/C unit R-9110-0, OE#RD-5-3647-0	Blower Resistor, Red Dot A/C units, 3 terminal, 3 speed	RD-5-3647-0	RD-5-3647-0P	71R1450

71R1450 RD-5-3647-0P
3 Terminals (3/4" blade) / 3 Speeds
Bakelite base: 2 3/4" x 1 1/2" x .10" thick – Height: 1"



71R1455 RD-5-6450-0P
4 Terminals (3/4" blade) / 4 Speeds
Bakelite base: 3 1/4" x 1 3/8" x .10" thick – Height: 1 3/8"



COMPRESSOR - SANDEN

Backhoe, Loader and Tractor L20B, L25B series with Sanden 7H15, #8103, OE #2811582	7H15, JD head, ear mount, poly 8 groove, 4.7" (119 mm) diameter	2811582 8103	RD-5-9251-0P	75R8462
--	---	-----------------	--------------	----------------

75R8462 RD-5-9251-0P
Model: 7H15 **Head:** JD **Voltage:** 12
Mount: Ear **Sanden:** 4711, 8103
Clutch: 4.7" (119mm) Poly 8 **R134a**



EVAPORATOR

Backhoe BL70 series used with Red Dot A/C unit R-9110-0, OE#RD-2-3741-0	Dimensions: 8" height x 11 1/2" length x 3 13/32" width	RD-2-3741-0	RD-2-6299-0P	76R7730
---	---	-------------	--------------	----------------

EXPANSION VALVE / BLOCK

Backhoe BL70 series used with Red Dot A/C unit R-9110-0, OE#RD-5-7015-0	Block valve with female O-Ring fittings	RD-5-7015-0	RD-5-7015-1P	71R8321
---	---	-------------	--------------	----------------

71R8321 RD-5-7015-0P
High Capacity (2 Ton)
Inlet: #6 (3/8") Female "O" Ring
Outlet: #10 (5/8") Female O-Ring
Evaporator Fittings
In: #8 (1/2") Female O-Ring
Out: #10 (5/8") Female O-Ring
Superheat Rating: 8°F
Pressure Limit: 53.5 psig @75°F



OFF-ROAD APPLICATIONS

Model	Description	OEM Part No.	Factory No.	Part No.
-------	-------------	--------------	-------------	----------

VOLVO OFF-ROAD

EXPANSION VALVE / ORIFICE TUBE

Backhoe, Loader and Tractor L20B, L25B model series with OE#RE24958	GM type, CCOT (White) Orifice Tube with accumulator system, main unit	RE24958	RD-5-4919-0P	71R8500
---	---	---------	--------------	----------------

71R8500 RD-5-4919-1P

White - Length: 3.485", O.D.: .386", Orifice: .071"



RECEIVER DRIER

Backhoe, Loader and Tractor L20B, L25B model series with quick disconnect, Cat OE#3E3535	In-line, quick disconnect, 2 1/2" x 13 7/8"	RD-5-8605-0 3E3535	RD-5-8605-1P	74R0470
--	---	-----------------------	--------------	----------------

74R0470 RD-5-8605-1P

2 1/2" diameter x 13 7/8" long
Quick Disconnect - No Port
With Orifice Tube



RESISTOR

Backhoe BL70 series used with Red Dot A/C, OE#RD-5-6450-0	Fan speed blower resistor, 4 speed, 4 terminal	RD-5-6450-0	RD-5-6450-0P	71R1455
---	--	-------------	--------------	----------------

Backhoe BL70 series used with Red Dot A/C unit R-9110-0, OE#RD-5-3647-0	Blower Resistor, Red Dot A/C units, 3 terminal, 3 speed	RD-5-3647-0	RD-5-3647-0P	71R1450
---	---	-------------	--------------	----------------

71R1450 RD-5-3647-0P

3 Terminals (3/4" blade) / 3 Speeds
Bakelite base: 2 3/4" x 1 1/2" x .10" thick - Height: 1"



71R1455 RD-5-6450-0P

4 Terminals (3/4" blade) / 4 Speeds
Bakelite base: 3 1/4" x 1 3/8" x .10" thick - Height: 1 3/8"



THERMOSTATIC SWITCH

Backhoe BL70 series used with Red Dot A/C unit R-9110-0, OE#RD-5-4531-24P	Thermostat for standard control units, fixed setting with 24" capillary tube, flange/side mt.	RD-5-4531-24P	RD-5-4531-24P	71R3200
---	---	---------------	---------------	----------------

Backhoe, Loader and Tractor L20B, L25B model series with OE#1118408	Preset (fixed) setting thermostat, 21" capillary tube, 31 - 40°F	1118408	RD-5-10335-0P	71R3220
---	--	---------	---------------	----------------

71R3200 RD-5-4531-24P

Mounting hole spacing: 2 1/4"
Capillary Length: 24"
Type: Fixed (side mount)
Temp. Range: 31°- 39°F
Clutch Cycle Range: 8°F



71R3220 RD-5-10335-0P

Mounting hole spacing: 2 1/4"
Capillary Length: 21"
Type: Fixed (side mount)
Temp. Range: 31°- 40°F



WATER VALVE

Backhoe BL70 series used with Red Dot A/C unit R-9100-0, OE#RD-5-10223-0	Cable operated valve, straight (pull to open), 5/8" to 5/8" hose	RD-5-10223-0	RD-5-10223-0P	72R5055
--	--	--------------	---------------	----------------

72R5055 RD-5-10223-0P



Model	Description	OEM Part No.	Factory No.	Part No.
-------	-------------	--------------	-------------	----------

WABCO

EXPANSION VALVE / EXTERNAL EQUALIZER

60B, 85D Series with OE#2684701-C1	Main Unit, all models with flare fitting	2684701-C1	RD-4126-1P	71R8050
120CT, 120D Series with OE#2684701-C1	Main Unit, all models with flare fitting	2684701-C1	RD-4126-1P	71R8050

71R8050 RD-4126-1P

External Equalizer

Inlet: #6 (3/4") Male Flare

Outlet: #8 (1/2") Male Flare

Equalizer Tube

Length: 18"

Nut: 1/4" Female Flare

Capillary Tube Length: 18"

Rating: 1 1/2 Ton



RECEIVER DRIER

60B, 85D, 120D Series with OE#72161835-3	Male & Male O-Ring with Fuse Plug, Low Pressure Switch	72161835-3	RD-4160-1P	74R2106
--	--	------------	------------	----------------

74R2106 RD-4160-1P

Includes Low Pressure Switch

2 1/4" diameter x 10" long

#6 Male O-Ring

High Capacity

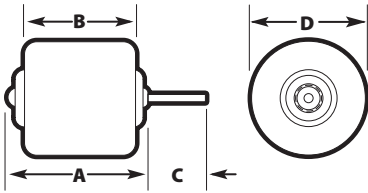
Low Pressure /

Pressure Relief

Side Port



SINGLE SHAFT MOTORS



NOTE:

1. Rotation is determined by viewing the motor from the shaft end.
2. On permanent magnet motors the red or orange lead is positive.
3. Motor type FW field wound, PM permanent magnet.

BLOWER MOTORS & FANS

SINGLE SHAFT – Listed in ascending order by overall length [A]

[A] Overall Length	[B] Motor Length	[C] Shaft Length	Shaft Diameter	[D] Motor Diameter	Speed	Shaft Rotation	Type	Mount	Vent	Red Dot Part No.	Factory No.
12 VOLT											
3 1/2	2 5/8	1 1/16	1/4	3	2	CW	FW	Stud, span 2 5/16	NV	73R0082	RD-5-10071-0P
3 5/8	2 1/2	1 1/16	1/4	3	2	CW	FW	Stud, span 2 5/16	NV	73R0062	RD-5-6440-0P
3 3/4	2 3/4	3/4	3/8	3	2	CW	FW	Stud, span 2 3/4	NV	73R0032	RD-5-10491-0P
3 5/8	2 3/4	1 1/16	1/4	3	2	CW	FW	Stud, span 2 5/16	NV	73R0032	RD-5-10491-0P
3 5/8	2 3/4	1 3/16	5/16	3	1	CCW	FW	Stud, span 2 5/16	NV	73R0102	RD-5-4550-0P
3 5/8	2 3/4	1 1/8	3/8	3	1	CW	FW	Stud, span 2 5/8	NV	73R0152	RD-4183-0P
3 3/4	2 3/4	1 1/2	1/4	3	1	CW / CCW		Stud, span 2 3/4	NV	73R0092	RD-5-10391-0P
3 3/4	3 1/4	3/4	5/16	3 1/4	1	CW	PM	Plate (Flange)	V	73R3082	RD-5-11526-0P
3 7/8	3	1 7/16	5/16	3	1	CCW	FW	Stud, span 2 5/16	NV	73R0202	RD-3106-18P
4	3 3/8	1 1/2	5/16	3	1	CW / CCW		Stud, span 2 5/16	NV	73R0212	RD-5-10390-0P
4	3 1/2	1 7/8	5/16	3	1	CW / CCW		Stud, span 2 5/16	V	73R0012	RD-5-10379-0P
4	3 5/8	1 1/2	5/16	3	1	CW	PM	Plate (Flange)	V	73R3002	RD-5-11466-0P
4	3 13/16	1 1/2	5/16	3	1	CCW	PM	Plate (Flange)	V	73R3062	RD-5-11489-0P
4 1/4	3 13/32	1 1/2	5/16	3	2	CW	FW	Stud, span 2 5/16	V	73R0552	RD-3106-12P
4 1/4	3 13/32	1 1/2	5/16	3	2	CCW	FW	Stud, span 2 5/16	V	73R0602	RD-3106-13P
4 1/4	3 1/2	1	5/16	3	2	CW	FW	Stud, span 2 5/16	V	73R0142	RD-5-10070-0P
4 1/4	3 3/4	1 5/8	5/16	3	1	CW	PM	Stud, span 2 5/16	V	73R0642	RD-5-10072-0P
4 1/4	3 3/4	1 3/4	5/16	3	1	CW	PM	Stud, span 2 5/16	V	73R0042	RD-5-10336-0P
4 1/4	3 13/16	1 1/2	5/16	3	1	CW	PM	Plate (Flange)	V	73R3002	RD-5-11466-0P
4 1/4	3 13/16	1 1/2	5/16	3	1	CCW	PM	Plate (Flange)	V	73R3052	RD-5-11488-0P
4 1/4	4	1 1/8	5/16	3 1/4	1	CCW	PM	Plate (Flange)	V	73R0572	RD-5-14611-0P
4 3/8	4	1 13/16	5/16	3	1	CCW	PM	Stud, span 2 5/16	V	73R1002	RD-3-8657-0P
4 3/8	4	1 7/16	5/16	3	1	CW	PM	Strap/Plate	V	73R3102	RD-5-12550-0P
4 13/32	4	2	5/16	3	1	CCW	PM	Stud, span 2 5/16	V	73R0962	RD-5-8203-0P
4 1/2	3 1/2	1 3/16	5/16	3	1	CW/CCW	PM	Plate (Flange)	V	73R2262	RD-5-10053-0P
4 1/2	3 1/2	1 1/2	5/16	3 1/4	1	CW	PM	Plate (Flange)	V	73R3092	RD-5-11843-0P
4 1/2	3 5/8	1	5/16	3	1	CCW	PM	Stud, span 2 5/16	V	73R0702	RD-5-4927-0P
4 1/2	3 5/8	1 1/2	5/16	3	1	CW	PM	Stud, span 2 5/16	V	73R0322	RD-5-6531-0P
4 1/2	3 5/8	1 5/8	5/16	3 1/4	1	CW		Plate (Flange)	V	73R2142	RD-5-10387-0P
4 1/2	4	1 1/16	5/16	3	1	CW		Plate (Flange)	V	73R2132	RD-5-10386-0P
4 9/16	3 5/8	1 5/16	5/16	3	2	CW	FW	Stud, span 2 5/16	V	73R0652	RD-5-10069-1P
4 1/2	4	1 3/4	5/16	3	1	CW	PM	Plate (Flange)	V	73R0992	RD-5-14087-0P
4 5/8	4 1/4	1 3/4	5/16	3	1	CW	PM	Stud, span 2 5/16	V	73R0442	RD-5-10905-0P
4 3/4	3 3/4	1	5/16	3	1	CCW	PM	Plate (Flange)	V	73R2212	RD-5-8029-0P
4 3/4	4	1 1/2	5/16	3	1	CW	PM	Stud, span 2 5/16	V	73R0912	RD-5-5512-0P
4 3/4	4	1 5/8	5/16	3	1	CW	PM	Strap/Stud 2 5/16	V	73R0422	RD-5-6526-0P
4 3/4	4	1 5/8	5/16	3	1	CW	PM	Strap/Stud 2 5/16	V	73R0462	RD-5-9100-0P
4 3/4	4	1 7/8	5/16	3	1	CCW	PM	Strap/Stud 2 5/16	V	73R0432	RD-5-8204-0P
4 3/4	4 1/8	1 1/16	5/16	3 1/8	1	CW	PM	Plate (Flange)	V	73R2102	RD-5-4937-0P
4 3/4	4 1/8	1 1/16	5/16	3 1/8	1	CW	PM	Plate (Flange)	V	73R2102	RD-5-4937-0P
4 3/4	4 1/4	1 5/8	5/16	3	1	CCW	PM	Plate (Flange)	V	73R2162	RD-5-14088-0P
4 3/4	4 1/4	7/8	5/16	3	1	CW	PM	Strap/Stud 2 5/16	NV	73R0562	RD-5-8709-0P
4 3/4	4 1/4	1 5/32	5/16 *	3 1/4	3	CCW	FW	Stud, span 2 5/16	V	73R1052	RD-5-4932-0P
4 3/4	4 3/8	1 1/2	5/16	3	1	CCW		Plate (Flange)	V	73R3022	RD-5-10393-0P

LS = Limited to stock on hand

* with 3/8 adapter

SINGLE SHAFT MOTORS

BLOWER MOTORS & FANS

SINGLE SHAFT – Listed in ascending order by overall length [A]

[A] Overall Length	[B] Motor Length	[C] Shaft Length	Shaft Diameter	[D] Motor Diameter	Speed	Shaft Rotation	Type	Mount	Vent	Red Dot Part No.	Factory No.
12 VOLT											
4 13/16	4	1 5/16	5/16	3	1	CW	PM	Strap/Stud 2 5/16	V	73R0982	RD-5-8255-0P
4 7/8	4	1	5/16	3	1	CW	PM	Strap/Stud 2 5/16	NV	73R0532	RD-5-3690-1P
4 7/8	4	1 1/16	5/16	3 1/4	1	CW		Plate (Flange)	V	73R2152	RD-5-10388-0P
4 7/8	4	1 1/8	5/16	3	1	CW	PM	Strap/Stud 2 5/16	NV	73R0512	RD-5-5120-0P
4 7/8	4	1 1/4	5/16	3	1	CW	PM	Strap/Stud 2 5/16	NV	73R0542	RD-5-7129-0P
4 7/8	4	3 1/8	5/16	3	1	CW	PM	Stud, span 2 5/16	V	73R0622	RD-5-5269-2P
4 7/8	4 1/8	1 1/16	5/16	3 1/4	1	CW		Plate (Flange)	V	73R2112	RD-5-10383-0P
4 7/8	4 1/8	1 1/16	5/16	3 1/4	1	CW		Plate (Flange)	V	73R2222	RD-5-10381-0P
4 7/8	4 1/8	1 1/16	5/16	3 1/4	1	CW / CCW		Plate (Flange)	V	73R2242	RD-5-10382-0P
4 7/8	4 1/8	1 1/8	5/16	3	1	CW	PM	Strap/Stud 2 5/16	NV	73R0522	RD-5-5230-0P
4 7/8	4 1/4	1 5/8	5/16	3	1	CW	PM	Stud, span 2 5/16	V	73R0922	RD-5-5634-0P
4 7/8	4 7/16	1 1/2	5/16	3	1	CW	PM	Stud, span 2 5/16	V	73R0662	RD-5-8016-0P
5	4	3/4	5/16	3	1	CW	PM	Stud, span 2 5/16	V	73R0352	RD-5-6526-2P
5	4	1 1/2	5/16	3	1	CCW	PM	Plate (Flange)	V	73R0332	RD-5-10867-0P
5	4	1 5/8	5/16	3	1	CCW	PM	Stud, span 2 5/16	V	73R0402	RD-5-6526-1P
5	4 1/4	1 1/2	5/16	3	1	CW		Strap/Stud 2 5/16	V	73R0462	RD-5-9100-0P
5	4 9/32	1 1/4	5/16	3	1	CW		Plate (Flange)	V	73R3032	RD-5-10395-0P
5 1/8	4 11/16	1 5/8	5/16	3	1	CW	PM	Strap/Stud 2 5/16	V	73R0612	RD-5-8922-0P
24 VOLT											
3 5/8	2 3/4	1 1/16	1/4	3	2	CW	FW	Stud, span 2 5/16	NV	73R0034	RD-5-10491-24P
3 7/8	3	1 3/16	5/16	3	1	CCW	FW	Stud, span 2 5/16	NV	73R0104	RD-5-4550-24P
3 7/8	3	1 7/16	5/16	3	1	CCW	FW	Stud, span 2 5/16	NV	73R0204	RD-3106-18-24P
4 11/64	4	2 1/4	5/16	3	2	CCW	Brushless	Strap/Stud 2 5/16	V	73R0654	RD-5-10255-2P
4 1/4	3 13/32	1 1/2	5/16	3	2	CW	FW	Stud, span 2 5/16	V	73R0554	RD-3106-12-24P
4 1/4	3 13/32	1 1/2	5/16	3	2	CCW	FW	Stud, span 2 5/16	V	73R0604	RD-3106-13-24P
4 5/8	4 3/16	1 1/8	5/16	3	1	CW	PM	Strap/Stud 2 5/16	V	73R1064	RD-5-9245-24P
4 11/16	3 7/8	1 5/8	5/16	3	1	CW	PM	Stud, span 2 5/16	V	73R0454	RD-5-3751-24P
4 3/4	4	1 5/8	5/16	3	1	CCW	PM	Stud, span 2 5/16	V	73R0404	RD-5-4827-24P
4 7/8	4	1	5/16	3	1	CW	PM	Strap/Stud 2 5/16	NV	73R0534	RD-5-3690-1-24P
4 7/8	4	1 1/8	5/16	3	1	CW	PM	Strap/Stud 2 5/16	NV	73R0514	RD-5-5120-24P
4 7/8	4	1 1/4	5/16	3	1	CCW	PM	Strap/Stud 2 5/16	NV	73R0544	RD-5-7129-24P
5	4	1	5/16	3	1	CCW	PM	Stud, span 2 5/16	NV	73R0364	RD-5-6071-0P
5 5/8	4 11/16	1	5/16	3	1	CW	PM	Stud, span 2 5/16	NV	73R0984	RD-5-6785-24P
										7RR3112	RD-5-14612-0P

SINGLE SHAFT MOTORS

Dimensions are listed in order by **Overall Length x Motor Length x Motor Diameter**

73R0012

RD-5-10379-0P

Single Speed
12 Volt
Rotates Either Direction
Stud Mounted, Span 2 $\frac{5}{16}$ "
Dimensions: 4" x 3 $\frac{1}{2}$ " x 3"
Shaft: $\frac{5}{16}$ " diameter, Length: 1 $\frac{7}{8}$ "
Vented
Connector: Two conductor, 14 gauge



73R0082

RD-5-10071-0P

Two Speed
12 Volt
Rotates Clockwise
Field Wound Motor
Stud Mounted, Span 2 $\frac{5}{16}$ "
Dimensions: 3 $\frac{1}{2}$ " x 2 $\frac{5}{8}$ " x 3"
Shaft: $\frac{1}{4}$ " diameter, Length: 1 $\frac{1}{16}$ "
Non Vented
Connector: Two conductor, orange-high, red-low



73R0032

RD-5-10491-0P

Two Speed
12 Volt
Rotates Clockwise
Field Wound Motor
Stud Mounted, Span 2 $\frac{5}{16}$ "
Dimensions: 3 $\frac{5}{8}$ " x 2 $\frac{3}{4}$ " x 3"
Shaft: $\frac{1}{4}$ " diameter, Length: 1 $\frac{1}{16}$ "
Non Vented
Connector: Ring Terminal, two conductor with ground



73R0092

RD-5-10391-0P

Single Speed
12 Volt
Rotates Either Direction
Stud Mounted, Span 2 $\frac{5}{16}$ "
Dimensions: 3 $\frac{3}{4}$ " x 2 $\frac{7}{8}$ " x 3"
Shaft: $\frac{1}{4}$ " diameter, Length: 1 $\frac{1}{2}$ "
Non Vented
Connector: Two conductor, 14 gauge



73R0034

RD-5-10491-24P

Two Speed
24 Volt
Rotates Clockwise
Field Wound Motor
Stud Mounted, Span 2 $\frac{5}{16}$ "
Dimensions: 3 $\frac{5}{8}$ " x 2 $\frac{3}{4}$ " x 3"
Shaft: $\frac{1}{4}$ " diameter, Length: 1 $\frac{1}{16}$ "
Non Vented
Connector: Ring Terminal, two conductor with ground



73R0102

RD-5-4550-0P

Single Speed
12 Volt
Rotates Counter Clockwise
Field Wound Motor
Stud Mounted, Span 2 $\frac{5}{16}$ "
Dimensions: 3 $\frac{3}{8}$ " x 2 $\frac{3}{4}$ " x 3"
Shaft: $\frac{5}{16}$ " diameter, Length: 1 $\frac{3}{16}$ "
Non Vented
Connector: One conductor, 14 gauge



73R0042

RD-5-10336-0P

Single Speed
12 Volt
Rotates Clockwise / Counter Clockwise
Permanent Magnet Motor
Stud Mounted, Span 2 $\frac{5}{16}$ "
Dimensions: 4 $\frac{1}{4}$ " x 3 $\frac{3}{4}$ " x 3"
Shaft: $\frac{5}{16}$ " diameter, Length: 1 $\frac{3}{4}$ "
Vented
Connector: Packard with two $\frac{1}{4}$ " blade terminals



73R0104

RD-5-4550-24P

Single Speed
24 Volt
Rotates Counter Clockwise
Field Wound Motor
Stud Mounted, Span 2 $\frac{5}{16}$ "
Dimensions: 3 $\frac{7}{8}$ " x 3" x 3"
Shaft: $\frac{5}{16}$ " diameter, Length: 1 $\frac{3}{16}$ "
Non Vented
Connector: One conductor, 14 gauge



73R0062

RD-5-6440-0P

Two Speed
12 Volt
Rotates Clockwise
Field Wound Motor
Stud Mounted, Span 2 $\frac{5}{16}$ "
Dimensions: 3 $\frac{5}{8}$ " x 2 $\frac{1}{2}$ " x 3"
Shaft: $\frac{1}{4}$ " diameter, Length: 1 $\frac{1}{16}$ "
Non Vented
Connector: Two conductor, orange-high, red-low



73R0142

RD-5-10070-0P

Two Speed
12 Volt
Rotates Clockwise
Field Wound Motor
Stud Mounted, Span 2 $\frac{5}{16}$ "
Dimensions: 4 $\frac{1}{4}$ " x 3 $\frac{1}{2}$ " x 3"
Shaft: $\frac{5}{16}$ " diameter, Length: 1"
Vented
Connector: Three conductor, two-speed, orange-high, red-low




LS = Limited to stock on hand

SINGLE SHAFT MOTORS


BLOWER MOTORS & FANS

Dimensions are listed in order by **Overall Length x Motor Length x Motor Diameter**


73R0152 **RD-4183-0P**
 Single Speed
 12 Volt
 Rotates Clockwise
 Field Wound Motor
 Stud Mounted, Span 2 5/16"
 Dimensions: 3 5/8" x 2 3/4" x 3"
 Shaft: 5/16" diameter, Length: 1 7/16"
 Non Vented
 Connector: One conductor, 14 gauge



73R0202 **RD-3106-18P**
 Single Speed
 12 Volt
 Rotates Counter Clockwise
 Field Wound Motor
 Stud Mounted, Span 2 5/16"
 Dimensions: 3 7/8" x 3" x 3"
 Shaft: 5/16" diameter, Length: 1 7/16"
 Non Vented
 Connector: One conductor, 14 gauge



73R0204 **RD-3106-18-24P**
 Single Speed
 24 Volt
 Rotates Counter Clockwise
 Field Wound Motor
 Stud Mounted, Span 2 5/16"
 Dimensions: 3 7/8" x 3" x 3"
 Shaft: 5/16" diameter, Length: 1 7/16"
 Non Vented
 Connector: One conductor, 14 gauge



73R0212 **RD-5-10390-0P**
 Single Speed
 12 Volt
 Rotates Either Direction
 Stud Mounted, Span 2 5/16"
 Dimensions: 4" x 3 3/8" x 3"
 Shaft: 5/16" diameter, Length: 1 1/2"
 Non Vented
 Connector: Two conductor, bare, 14 gauge



73R0322 **RD-5-6531-0P**
 Single Speed
 12 Volt
 Rotates Clockwise
 Permanent Magnet Motor
 Stud Mounted, Span 2 5/16"
 Dimensions: 4 1/2" x 3 5/8" x 3"
 Shaft: 5/16" diameter, Length: 1 1/2"
 Vented - RFI
 Connector: Two conductor Packard #12034343




73R0332 **RD-5-10867-0P**
 Single Speed
 12 Volt
 Rotates Counter Clockwise
 Permanent Magnet Motor
 Flange / Plate Mounted
 Dimensions: 5" x 4" x 3"
 Shaft: 5/16" diameter, Length: 1 1/2"
 Vented
 Connector: Two conductors, female ring terminal, Packard #2984528




73R0352 **RD-5-6526-2P**
 Single Speed
 12 Volt
 Rotates Clockwise
 Permanent Magnet Motor
 Stud Mounted, Span 2 5/16"
 Dimensions: 5" x 4" x 3"
 Shaft: 5/16" diameter, Length: 3/4"
 Vented
 Connector: Two conductor Packard #2984528, 29718559



73R0364 **RD-5-6071-0P**
 Single Speed
 24 Volt
 Rotates Counter Clockwise
 Permanent Magnet Motor
 Stud Mounted, Span 2 5/16"
 Dimensions: 5" x 4" x 3"
 Shaft: 5/16" diameter, Length: 1"
 Non Vented, 1" diameter slinger
 Connector: Two conductor, 14 gauge



73R0402 **RD-5-6526-1P**
 Single Speed
 12 Volt
 Rotates Counter Clockwise
 Permanent Magnet Motor
 Stud Mounted, Span 2 5/16"
 Dimensions: 5" x 4" x 3"
 Shaft: 5/16" diameter, Length: 1 5/8"
 Vented
 Connector: Two conductor Packard #2984528, 2971859



73R0404 **RD-5-4827-24P**
 Single Speed
 24 Volt
 Rotates Counter Clockwise
 Permanent Magnet Motor
 Stud Mounted, Span 2 5/16"
 Dimensions: 4 3/4" x 4" x 3"
 Shaft: 5/16" diameter, Length: 1 5/8"
 Vented
 Connector: 1/4" female ring terminal with Packard #2984528, 2971859



LS = Limited to stock on hand

SINGLE SHAFT MOTORS

Dimensions are listed in order by **Overall Length x Motor Length x Motor Diameter**

73R0422

RD-5-6526-0P

Single Speed
12 Volt
Rotates Clockwise
Permanent Magnet Motor
Strap / Stud Mounted, Span 2 5/16"
Dimensions: 4 3/4" x 4" x 3"
Shaft: 5/16" diameter, Length: 1 5/8"
Vented
Connector: Two conductor Packard #29845284, 2971859



73R0432

RD-5-8204-0P

Single Speed
12 Volt
Rotates Counter Clockwise
Permanent Magnet Motor
Strap / Stud Mounted, Span 2 5/16"
Dimensions: 4 3/4" x 4" x 3"
Shaft: 5/16" diameter, Length: 1 7/8"
Vented - RFI
Connector: Two conductor Packard #12034343



73R0442

RD-5-10905-0P

Single Speed
12 Volt
Rotates Clockwise
Permanent Magnet Motor
Stud Mounted, Span 2 5/16"
Dimensions: 4 5/8" x 4 1/4" x 3"
Shaft: 5/16" diameter, Length: 1 3/4"
Vented
Connector: Two conductor Packard 1/4" blade terminal #2973781



73R0454

RD-5-3751-24P

Single Speed
24 Volt
Rotates Clockwise
Permanent Magnet Motor
Stud Mounted, Span 2 5/16"
Dimensions: 4 11/16" x 3 7/8" x 3"
Shaft: 5/16" diameter, Length: 1 5/8"
Vented
Connector: Two conductor Packard #2984528



73R0462

RD-5-9100-0P

Single Speed
12 Volt
Rotates Clockwise
Permanent Magnet Motor
Stud Mounted, Span 2 5/16"
Dimensions: 5" x 4 1/4" x 3"
Shaft: 5/16" diameter, Length: 1 1/2"
Vented
Connector: Two conductor Packard #2984528, 2971859



73R0512

RD-5-5120-0P

Single Speed
12 Volt
Rotates Clockwise
Permanent Magnet Motor
Strap / Stud Mounted, Span 2 5/16"
Dimensions: 4 7/8" x 4" x 3"
Shaft: 5/16" diameter, Length: 1 1/8"
Non Vented
Connector: Two conductor Packard 1/4" blade terminal



73R0514

RD-5-5120-24P

Single Speed
24 Volt
Rotates Clockwise
Permanent Magnet Motor
Strap / Stud Mounted, Span 2 5/16"
Dimensions: 4 7/8" x 4" x 3"
Shaft: 5/16" diameter, Length: 1 1/8"
Non Vented
Connector: Two conductor Packard 1/4" blade terminal



73R0522

RD-5-5230-0P

Single Speed
12 Volt
Rotates Clockwise
Permanent Magnet Motor
Strap / Stud Mounted, Span 2 5/16"
Dimensions: 4 7/8" x 4 1/8" x 3"
Shaft: 5/16" diameter, Length: 1 1/8"
Non Vented
Connector: Two conductor, 14 gauge



73R0532

RD-5-3690-1P

Single Speed
12 Volt
Rotates Clockwise
Permanent Magnet Motor
Strap / Stud Mounted, Span 2 5/16"
Dimensions: 4 7/8" x 4" x 3"
Shaft: 5/16" diameter, Length: 1"
Non Vented
Connector: Two conductor with ring terminal



73R0534

RD-5-3690-1-24P

Single Speed
24 Volt
Rotates Clockwise
Permanent Magnet Motor
Strap / Stud Mounted, Span 2 5/16"
Dimensions: 4 7/8" x 4" x 3"
Shaft: 5/16" diameter, Length: 1 1/8"
Non Vented
Connector: Two conductor with ring terminal




SINGLE SHAFT MOTORS


Dimensions are listed in order by Overall Length x Motor Length x Motor Diameter

BLOWER MOTORS & FANS

73R0542 RD-5-7129-0P
 Single Speed
 12 Volt
 Rotates Clockwise
 Permanent Magnet Motor
 Strap / Stud Mounted, Span 2 5/16"
 Dimensions: 4 7/8" x 4" x 3"
 Shaft: 5/16" diameter, Length: 1 1/4"
 Non Vented
 Connector: Male blade with Packard #8900420



73R0572 RD-5-14073-0P
 Single Speed
 12 Volt
 Rotates Clockwise
 Permanent Magnet Motor
 Plate Mount: 7"
 Dimensions: 4 1/4" x 4" x 3"
 Shaft: 5/16" diameter, Length: 1.1"
 Vented
 Connector: Two conductor Packard male blade



73R0544 RD-5-7129-24P
 Single Speed
 24 Volt
 Rotates Counter Clockwise
 Permanent Magnet Motor
 Strap / Stud Mounted, Span 2 5/16"
 Dimensions: 4 7/8" x 4" x 3"
 Shaft: 5/16" diameter, Length: 1 1/4"
 Non Vented
 Connector: Male blade with Packard #8900420



73R0602 RD-3106-13P
 Two Speed
 12 Volt
 Rotates Counter Clockwise
 Field Wound Motor
 Stud Mounted, Span 2 5/16"
 Dimensions: 4 1/4" x 3 13/32" x 3"
 Shaft: 5/16" diameter, Length: 1 1/2"
 Vented
 Connector: Two conductor, orange-high, red-low



73R0552 RD-3106-12P
 Two Speed
 12 Volt
 Rotates Clockwise
 Field Wound Motor
 Stud Mounted, Span 2 5/16"
 Dimensions: 4 1/4" x 3 13/32" x 3"
 Shaft: 5/16" diameter, Length: 1 1/2"
 Vented
 Connector: Two conductor, orange-high, red-low



73R0604 RD-3106-13-24P
 Two Speed
 24 Volt
 Rotates Counter Clockwise
 Field Wound Motor
 Stud Mounted, Span 2 5/16"
 Dimensions: 4 1/4" x 3 13/32" x 3"
 Shaft: 5/16" diameter, Length: 1 1/2"
 Vented
 Connector: Two conductor, orange-high, red-low



73R0554 RD-3106-12-24P
 Two Speed
 24 Volt
 Rotates Clockwise
 Field Wound Motor
 Stud Mounted, Span 2 5/16"
 Dimensions: 4 1/4" x 3 13/32" x 3"
 Shaft: 5/16" diameter, Length: 1 1/2"
 Vented
 Connector: Two conductor, orange-high, red-low



73R0612 RD-5-8922-0P
 Single Speed
 12 Volt
 Rotates Clockwise
 Permanent Magnet Motor
 Strap/Stud Mounted, Span 2 5/16"
 Dimensions: 5 1/8" x 4 11/16" x 3"
 Shaft: 5/16" diameter, Length: 1 5/8"
 Vented, Strap Diameter: 6 3/4"
 Connector: Two conductor Packard #12129939



73R0562 RD-5-8709-0P
 Single Speed
 12 Volt
 Rotates Clockwise
 Permanent Magnet Motor
 Strap / Stud Mounted, Span 2 5/16"
 Dimensions: 4 3/4" x 4 1/4" x 3"
 Shaft: 5/16" diameter, Length: 7/8"
 Non Vented
 Connector: Two conductor Packard, spade terminal



73R0622 RD-5-5269-2P
 Single Speed
 12 Volt
 Rotates Clockwise
 Permanent Magnet Motor
 Stud Mounted, Span 2 5/16"
 Dimensions: 4 7/8" x 4" x 3"
 Shaft: 5/16" diameter, Length: 3 1/8"
 Vented - RFI
 Connector: Two conductor Packard #2984528



SINGLE SHAFT MOTORS

Dimensions are listed in order by **Overall Length x Motor Length x Motor Diameter**

73R0642

RD-5-10072-0P

Single Speed
12 Volt
Rotates Clockwise
Permanent Magnet Motor
Stud Mounted, Span 2 5/16"
Dimensions: 4 1/4" x 3 3/4" x 3"
Shaft: 5/16" diameter, Length: 1 5/8"
Vented
Connector: Two conductors, 1/4" male & female spade



73R0652

RD-5-10069-1P

Two Speed – Economy
12 Volt
Rotates Clockwise
Field Wound Motor
Stud Mounted, Span 2 5/16"
Dimensions: 4 9/16" x 3 5/8" x 3"
Shaft: 5/16" diameter, Length: 1 5/8"
Vented
Connector: Two conductor, orange-high, red-low



73R0654

RD-5-10255-2P

Two Speed
24 Volt
Rotates Counter Clockwise
Brushless Motor
Stud / Strap Mounted
Dimensions: 4 11/64" x 4" x 3"
Shaft: 5/16" diameter, Shaft Length: 2 1/4"
Vented - RFI
Connector: Three conductor Packard



73R0662

RD-5-8016-0P

Single Speed
12 Volt
Rotates Counter Clockwise
Permanent Magnet Motor
Stud Mounted, Span 2 5/16"
Dimensions: 4 7/8" x 4 7/16" x 3"
Shaft: 5/16" diameter, Length: 1 1/2"
Vented
Connector: Two conductors, female ring terminal, Packard #2984528



73R0702

RD-5-4927-0P

Single Speed
12 Volt
Rotates Counter Clockwise
Permanent Magnet Motor
Stud Mounted, Span 2 5/16"
Dimensions: 4 1/2" x 3 5/8" x 3"
Shaft: 5/16" diameter, Length: 1"
Non Vented
Connector: Two conductors, combined male/female bullet



73R0912

RD-5-5512-0P

Single Speed
12 Volt
Rotates Clockwise
Permanent Magnet Motor
Stud Mounted, Span 2 5/16"
Dimensions: 4 3/4" x 4" x 3"
Shaft: 5/16" diameter, Shaft Length: 1 1/2"
Vented - RFI
Connector: Multiple adapters in kit



73R0922

RD-5-5634-1P

Single Speed
12 Volt
Rotates Clockwise
Permanent Magnet Motor
Stud Mounted, Span 2 5/16"
Dimensions: 4 7/8" x 4 1/4" x 3"
Shaft: 5/16" diameter, Length: 1 5/8"
Vented
Connector: Two conductor Packard #2984528, 2971859



73R0962

RD-5-8203-0P

Single Speed
12 Volt
Rotates Counter Clockwise
Permanent Magnet Motor
Stud Mounted, Span 2 5/16"
Dimensions: 4 13/32" x 4" x 3"
Shaft: 5/16" diameter, Length: 2"
Vented
Connector: Two conductor, 1/4" blade terminals Packard #2984528



73R0982

RD-5-8255-0P

Single Speed
12 Volt
Rotates Counter Clockwise
Permanent Magnet Motor
Strap / Stud Mounted, Span 2 5/16"
Dimensions: 4 13/16" x 4" x 3"
Shaft: 5/16" diameter, Length: 1 5/16"
Vented, Strap diameter *: 6 5/16", 120° angle
Connector: Two female ring terminals



73R0984

RD-5-6785-24P

Single Speed
24 Volt
Rotates Clockwise
Permanent Magnet Motor
Stud Mounted, Span 2 5/16"
Dimensions: 5 5/8" x 4 11/16" x 3"
Shaft: 5/16" diameter, Length: 1"
Non Vented
Connector: 1/4" female ring terminals, Packard #8900420



SINGLE SHAFT MOTORS

Dimensions are listed in order by **Overall Length x Motor Length x Motor Diameter**

73R1002

RD-3-8657-0P

Single Speed
12 Volt
Rotates Counter Clockwise
Permanent Magnet Motor
Stud Mounted, Span 2 5/16"
Dimensions: 4 3/8" x 4" x 3"
Shaft: 5/16" diameter, Length: 1 13/16"
Vented - RFI



73R1052

RD-5-4932-0P

Three Speed
12 Volt
Rotates Counter Clockwise
Field Wound Motor
Stud Mounted, Span 2 5/16"
Dimensions: 4 3/4" x 4 1/4" x 3 1/4"
Shaft: 5/16" (with 3/8" adapter) diameter,
Length: 1 5/32" — Vented
Connector: Three conductor Packard #2971962 with terminal block



73R1064

RD-5-9245-24P

Single Speed
24 Volt
Rotates Clockwise
Permanent Magnet Motor
Strap Mounted
Dimensions: 4 5/8" x 4 3/16" x 3"
Shaft: 5/16" diameter, Length: 1 1/8"
Vented
Connector: Two conductors, combined male/female bullet



73R2102

RD-5-4937-0P

Single Speed
12 Volt
Rotates Clockwise
Permanent Magnet Motor
Plate Mounted: 7"
Dimensions: 4 3/4" x 4 1/8" x 3 1/8"
Shaft: 5/16" diameter, Length: 1 1/16"
Vented
Includes wire assembly
Connector: Male spade
OE# IHC 274243, ZGG16249



73R2112

RD-5-10383-0P

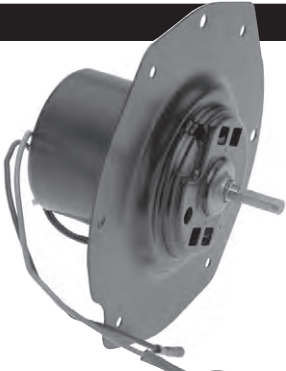
Single Speed
12 Volt
Rotates Clockwise
Plate Mounted: 7.9"
Dimensions:
4 7/8" x 4 1/8" x 3 1/4"
Shaft: 5/16" diameter,
Shaft Length: 1 1/16"
Vented
Connector:
Two conductor module



73R2132

RD-5-10386-0P

Single Speed
12 Volt
Rotates Clockwise
Plate Mounted : 7.4"
Dimensions:
4 1/2" x 4" x 3"
Shaft: 5/16" diameter,
Shaft Length: 1 1/16"
Vented
Connector:
Two conductor bullets



73R2142

RD-5-10387-0P

Single Speed
12 Volt
Rotates Clockwise
Plate Mounted: 7.8"
Dimensions:
4 1/2" x 3 5/8" x 3 1/4"
Shaft: 5/16" diameter,
Shaft Length: 1 5/8"
Vented
Connector:
Two conductor module



73R2152

RD-5-10388-0P

Single Speed
12 Volt
Rotates Clockwise
Plate Mounted: 7.1"
Dimensions: 4 7/8" x 4" x 3 1/4"
Shaft: 5/16" diameter, Length: 1 1/16"
Vented
Connector:
Two conductor female bullet



73R2162

RD-5-14088-0P

Single Speed
12 Volt
Rotates Counter Clockwise
Permanent Magnet Motor
Plate Mount: 6 1/2"
Dimensions: 4 3/4" x 4 1/4" x 3"
Shaft: 5/16" diameter, Length: 1 5/8"
Vented
Connector: Two conductor
Packard



BLOWER MOTORS & FANS

SINGLE SHAFT MOTORS

Dimensions are listed in order by **Overall Length x Motor Length x Motor Diameter**

73R2212

RD-5-8029-0P

Single Speed
12 Volt
Rotates Counter Clockwise
Permanent Magnet Motor
Plate Mounted: 7.8"
Dimensions: 4 3/4" x 3 3/4" x 3"
Shaft: 5/16" diameter, Length: 1"
Vented
Ford OE#FIHZ-19805-A



73R2222

RD-5-10381-0P

Single Speed
12 Volt
Rotates Clockwise
Plate Mounted: 7.9"
Dimensions:
4 7/8" x 4 1/8" x 3 1/4"
Shaft: 5/16" diameter,
Shaft Length: 1 1/16"
Vented
Connector:
Two conductor female bullet



73R2242

RD-5-10382-0P

Single Speed
12 Volt
Rotates Either Direction
Plate Mounted: 7.86"
Dimensions:
4 7/8" x 4 1/8" x 3 1/4"
Shaft: 5/16" diameter,
Shaft Length: 1 1/16"
Vented
Connector:
Two conductor female bullet



73R2262

RD-5-10053-0P

Single Speed
12 Volt
Rotates Either Direction
Black Finish
Plate Mounted
Dimensions: 4 1/2" x 3 1/2" x 3"
Shaft: 5/16" diameter, Length: 1 3/16"
Plate/Flange Diameter: 6 3/4"
Vented
Connector: Metripak



73R3002

RD-5-11466-0P

Single Speed
12 Volt
Rotates Clockwise
Plate Mounted
Dimensions: 4" x 3 5/8" x 3"
Shaft: 5/16" diameter, Length: 1 1/2"
Plate/Flange Diameter: 7"
Wheel: 6" diameter, 2 1/2" high
Vented
Connector:
Two conductor
Packard terminal block
12065863 with 12020120 terminal



73R3022

RD-5-10393-0P

Single Speed
12 Volt
Rotates Counter Clockwise
Plate Mounted
Dimensions: 4 3/4" x 4 3/8" x 3"
Shaft: 5/16" diameter, Length: 1 1/2"
Plate/Flange Diameter: 7"
Vented
Connector:
Two conductor
female Metripak



73R3032

RD-5-10395-0P

Single Speed
12 Volt
Rotates Clockwise
Plate Mounted
Dimensions: 5" x 4 9/32" x 3"
Shaft: 5/16" diameter, Length: 1 1/4"
Plate/Flange Diameter: 6 3/4"
Vented
Connector:
Two conductor spade terminal



73R3052

RD-5-10502-0P

Single Speed
12 Volt
Rotates Counter Clockwise
Permanent Magnet Motor
Plate Mount
Dimensions: 4 1/4" x 3 13/16" x 3"
Shaft: 5/16" diameter, Length: 1 1/2"
Plate/Flange Diameter: 7 3/16"
Wheel: 6" diameter, 2 1/2" width
Vented
Connector: Two conductor Packard
terminal block #12064750



SINGLE SHAFT MOTORS

Dimensions are listed in order by **Overall Length x Motor Length x Motor Diameter**

73R3062

RD-5-11488-0P

Single Speed
12 Volt
Rotates Counter Clockwise
Permanent Magnet Motor
Plate Mount
Dimensions: 4" x 3 13/16" x 3"
Shaft: 5/16" diameter, Length: 1 1/2"
Plate/Flange Diameter: 7 3/16"
Wheel: 6" diameter, 2 1/2" width
Vented



73R3102

RD-5-12551-0P

Single Speed
12 Volt
Rotates Clockwise
Permanent Magnet Motor
Dimensions: 4 3/8" x 4" x 3"
Shaft: 5/16" diameter, Length: 1 7/16"
Wheel: 7" diameter, 4" width
Connector: two conductor
Mack OE#7787-869445



73R3072

RD-5-11579-0P

Single Speed
12 Volt
Rotates Counter Clockwise
Permanent Magnet Motor
Plate Mount
Dimensions: 4 5/8" x 3 3/4" x 3 1/4"
Shaft: 5/16" diameter, Length: 1 1/2"
Plate/Flange Diameter: 7 7/8"
Vented
Connector: Two conductor module #373-112-01



73R3112

RD-5-14612-0P

Single Speed
12 Volt
Rotates CounterClockwise
Permanent Magnet Motor
Flange Mount
Dimensions: 7 1/2" diameter
Shaft: 5/16" diameter, Length: 1 1/2"
Connector:
Proster
OE# 3674285C1



73R3082

RD-5-11526-0P

Single Speed
12 Volt
Rotates Clockwise
Permanent Magnet Motor
Plate Mount: 76.8"
Dimensions: 3 3/4" x 3 1/4" x 3 1/4"
Shaft: 5/16" diameter, Length: 3/4"
Vented
Connector: Two conductor male blade Packard



73R3122

RD-5-13067-0P

Single Speed
12 Volt
Rotates Clockwise
Flange Mount
Freightliner/Volvo BOA 94350,
BOAD 8587



73R3092

RD-5-11843-0P

Single Speed
12 Volt
Rotates Clockwise
Permanent Magnet Motor
Plate Mount: 7.82"
Dimensions: 4 1/2" x 3 1/2" x 3 1/4"
Shaft: 5/16" diameter, Length: 1 1/2"
Vented
Connector: Two conductor Packard male blade module
OE# Sterling XC4H-19805-AA



73R3132

RD-5-13068-0P

Single Speed
12 Volt
Diameter: 7.75"
Rotates Clockwise
Flange Mount
Navistar BOA 80-415-00-879,
3452611C2



BLOWER MOTORS
& FANS

LS = Limited to stock on hand

SINGLE SHAFT MOTORS

Dimensions are listed in order by **Overall Length x Motor Length x Motor Diameter**

73R3142

RD-5-13069-0P

Single Speed

12 Volt

Diameter: 7.15"

Rotates Clockwise

Flange Mount

Peterbilt with Signet 5X012163



73R3162

RD-5-15574-0P

Single Speed

12 Volt

Rotates Clockwise

Flange Mount

Dimensions: 6 7/16" x 7 13/64"

IHC/Proster

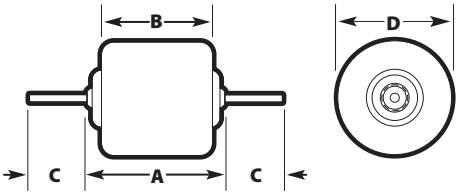
3599581C2

2602570C92

3839363C91



DOUBLE SHAFT MOTORS



- NOTE:**
1. Installation determines rotation.
 2. On permanent magnet motors the red or orange lead is positive.
 3. Motor type FW field wound, PM permanent magnet.

DOUBLE SHAFT – Listed in ascending order by overall length [A]

[A] Overall Length	[B] Motor Length	[C] Shaft Length	Shaft Diameter	[D] Motor Diameter	Speed	Shaft Rotation	Type	Mount	Vent	Red Dot Part No.	Factory No.
12 VOLT											
4	3 3/8	3 1/8	5/16	3	1	CW / CCW	PM	Strap/Stud 2 5/16	V	73R4062	RD-5-5614-0P
4	3 13/32	3	5/16	3	3	CW / CCW	FW	Strap/Stud 2 5/16	V	73R4102	RD-5-3780-0P
4 13/32	4	2	5/16	3	1	CW / CCW	PM	Strap/Stud 2 5/16	NV	73R4202	RD-5-3757-12P
4 3/4	4	2 1/2	5/16	3	1	CW / CCW	PM	Stud, span 2 5/16	V	73R4162	RD-5-5190-0P
4 1/2	4	2 5/8	5/16	3	1	CW / CCW	PM	Strap/Stud 2 5/16	V	73R4182	RD-5-6801-0P
4 3/4	4	3 5/8	5/16	3	1	CW / CCW	PM	Stud, span 2 5/16	V	73R4122	RD-5-8032-0P
4 13/16	4	2 1/8	5/16	3	1	CW / CCW	PM	Strap/Stud 2 5/16	V	73R4262	RD-5-5121-1P
4 13/16	4	3 5/8	5/16	3	1	CW / CCW	PM	Strap/Stud 2 5/16	V	73R4252	RD-5-5121-0P
4 7/8	4 1/2	2 1/2	5/16	3	1	CW / CCW	PM	Stud, span 2 5/16	V	73R4322	RD-5-10068-0P
5 1/8	4 1/2	2 7/16	5/16	3	1	CW / CCW	FW	Stud, span 2 5/16	V	73R4532	RD-3-10538-0P
5 1/4	4 1/2	2 7/8	5/16	3	1	CW / CCW	PM	Strap/Stud 2 5/16	V	73R4422	RD-5-5049-1P
5 5/16	4 1/2	2 7/8	5/16	3	1	CW / CCW	PM	Strap/Stud 2 5/16	V	73R4242	RD-5-8126-0P
5 3/8	4 1/2	2 13/16	5/16	3	1	CW / CCW	PM	Stud, span 2 5/16	V	73R4312	RD-5-10073-0P
5 3/4	4 3/4	2 5/8	3/8	3	1	CW / CCW	PM	Stud, span 2 5/16	NV	73R4602	RD-5-5837-0P
24 VOLT											
3 11/16	3 3/8	3 1/4	5/16	3	1	CW / CCW	PM	Strap/Stud 2 5/16	V	73R4064	RD-5-6969-0P
4 13/32	4	2	5/16	3	1	CW / CCW	PM	Strap/Stud 2 5/16	NV	73R4204	RD-5-3757-24P
4 13/16	4	2 1/8	5/16	3	1	CW / CCW	PM	Strap/Stud 2 5/16	V	73R4264	RD-5-5121-2P
4 13/16	4	3 5/8	5/16	3	1	CW / CCW	PM	Strap/Stud 2 5/16	V	73R4254	RD-5-5121-24P
5 5/16	4 1/2	2 7/8	5/16	3	1	CW / CCW	PM	Strap/Stud 2 5/16	V	73R4424	RD-5-5049-2P
5 3/8	4 1/2	2 7/8	5/16	3	1	CW / CCW	PM	Stud, span 2 5/16	V	73R4504	RD-5-4233-24P
5 3/4	5	3 3/8	5/16	3	1	CW / CCW	PM	Strap/Stud 2 5/16	NV	73R4274	RD-5-10054-0P

Dimensions are listed in order by **Overall Length x Motor Length x Motor Diameter**

73R4062 RD-5-5614-0P

Single Speed
12 Volt
Permanent Magnet Motor
Strap / Stud Mounted, Span 2 5/16
Dimensions: 4" x 3 3/8" x 3 1/8"
Shafts: 5/16" diameter, length: 3 1/4"
Vented
Connector: Two conductor Packard terminal block #2971859, 1/4" blade terminal




73R4102 RD-5-3780-0P

Three Speed
12 Volt
Field Wound Motor
Strap / Stud Mounted, Span 2 5/16
Dimensions: 4" x 3 13/32" x 3"
Shafts: 5/16" diameter, length: 3"
Vented
Connector: Four conductor 1/4" female spade



73R4064 RD-5-6969-0P

Single Speed
24 Volt
Permanent Magnet Motor
Strap / Stud Mounted, Span 2 5/16
Dimensions: 3 11/16" x 3 3/8" x 3"
Shafts: 5/16" diameter, length: 3 1/4"
Vented
Connector: Two conductor Packard terminal block #8900420, 1/4" blade terminal



73R4122 RD-5-8032-0P

Single Speed
12 Volt
Permanent Magnet Motor
Stud Mounted, Span 2 5/16
Dimensions: 4 3/4" x 4" x 3"
Shafts: 5/16" diameter, length: 3 5/8"
Vented - RFI
Connector: Two conductor Packard #8900420, 1/4" blade terminal



BLOWER MOTORS & FANS

DOUBLE SHAFT MOTORS

Dimensions are listed in order by **Overall Length x Motor Length x Motor Diameter**

73R4162

RD-5-5190-0P

Single Speed
12 Volt
Permanent Magnet Motor
Stud Mounted, Span 2 5/16"
Dimensions: 4 3/4" x 4" x 3"
Shafts: 5/16" diameter, length: 2 1/2"
Vented
Connector: Two conductor spade terminal



73R4252

RD-5-5121-0P

Single Speed
12 Volt
Permanent Magnet Motor
Strap / Stud Mounted, Span 2 5/16"
Dimensions: 4 13/16" x 4" x 3"
Shafts: 5/16" diameter, length: 3 5/8"
Vented
Connector: Two conductor Packard #8900420, 1/4" blade



73R4182

RD-5-6801-0P

Single Speed
12 Volt
Permanent Magnet Motor
Strap / Stud Mounted, Span 2 5/16"
Dimensions: 4 3/4" x 4" x 3"
Shafts: 5/16" diameter, length: 2 5/8"
Vented
Connector: 1/4" spade receptacle



73R4254

RD-5-5121-24P

Single Speed
24 Volt
Permanent Magnet Motor
Strap / Stud Mounted, Span 2 5/16"
Dimensions: 4 13/16" x 4" x 3"
Shafts: 5/16" diameter, length: 3 5/8"
Vented
Connector: Two conductor Packard #8900420, 1/4" blade terminal



73R4202

RD-5-3757-12P

Single Speed
12 Volt
Permanent Magnet Motor
Strap / Stud Mounted, Span 2 5/16"
Dimensions: 4 13/32" x 4" x 3"
Shafts: 5/16" diameter, length: 2"
Non Vented
Connector: Ring terminal with Packard #2984528, 1/4" blade



73R4262

RD-5-5121-1P

Single Speed
12 Volt
Permanent Magnet Motor
Strap / Stud Mounted, Span 2 5/16"
Dimensions: 4 13/16" x 4" x 3"
Shafts: 5/16" diameter, length: 2 1/8"
Vented
Connector: Two conductor Packard #8900420, 1/4" blade terminal



73R4204

RD-5-3757-24P

Single Speed
24 Volt
Permanent Magnet Motor
Strap / Stud Mounted, Span 2 5/16"
Dimensions: 4 13/32" x 4" x 3"
Shafts: 5/16" diameter, length: 2"
Non Vented
Connector: Ring terminal with Packard #2984528, 1/4" blade



73R4264

RD-5-5121-2P

Single Speed
24 Volt
Permanent Magnet Motor
Strap / Stud Mounted, Span 2 5/16"
Dimensions: 4 13/16" x 4" x 3"
Shafts: 5/16" diameter, length: 2 1/8"
Vented
Connector: Two conductor Packard #8900420, 1/4" blade terminal



73R4242

RD-5-8126-0P

Single Speed
12 Volt
Permanent Magnet Motor
Strap / Stud Mounted, Span 2 5/16"
Dimensions: 5 5/16" x 4 1/2" x 3"
Shafts: 5/16" diameter, length: 2 7/8"
Vented
Connector: Two conductor Packard #2984528, 1/4" blade



73R4274

RD-5-10054-0P

Single Speed
24 Volt
Permanent Magnet Motor
Strap / Stud Mounted, Span 2 5/16"
Dimensions: 5 3/4" x 5" x 3"
Shafts: 5/16" diameter, length: 3 3/8"
Non Vented
Connector: Two conductor Deutsch #DT04-2P-E005



DOUBLE SHAFT MOTORS

Dimensions are listed in order by **Overall Length x Motor Length x Motor Diameter**

73R4312

RD-5-10073-0P

Single Speed

12 Volt

Permanent Magnet Motor

Stud Mounted, Span $2 \frac{5}{16}$ "

Dimensions: $5 \frac{3}{8}$ " x $4 \frac{1}{2}$ " x 3"

Shafts: $\frac{5}{16}$ " diameter, length: $2 \frac{13}{16}$ "

Vented

Connector: Two conductor $\frac{1}{4}$ " spade receptacle



73R4322

RD-5-10068-0P

Single Speed

12 Volt

Permanent Magnet Motor

Stud Mounted, Span $2 \frac{5}{16}$ "

Dimensions: $4 \frac{7}{8}$ " x $4 \frac{1}{2}$ " x 3"

Shafts: $\frac{5}{16}$ " diameter, length: $2 \frac{1}{2}$ "

Vented

Connector: Two conductor spade receptacle



73R4422

RD-5-5049-1P

Single Speed

12 Volt

Permanent Magnet Motor

Strap / Stud Mounted, Span $2 \frac{5}{16}$ "

Dimensions: $5 \frac{1}{4}$ " x $4 \frac{1}{2}$ " x 3"

Shafts: $\frac{5}{16}$ " diameter, length: $2 \frac{7}{8}$ "

Vented

Connector: Two conductor Packard #2984528 $\frac{1}{4}$ " blade terminal



73R4424

RD-5-5049-2P

Single Speed

24 Volt

Permanent Magnet Motor

Strap / Stud Mounted, Span $2 \frac{5}{16}$ "

Dimensions: $5 \frac{5}{16}$ " x $4 \frac{1}{2}$ " x 3"

Shafts: $\frac{5}{16}$ " diameter, length: $2 \frac{7}{8}$ "

Vented

Connector: Two conductor Packard #2984528 $\frac{1}{4}$ " blade terminal



73R4504

RD-5-4233-24P

Single Speed

24 Volt

Permanent Magnet Motor

Stud Mounted, Span $2 \frac{5}{16}$ "

Dimensions: $5 \frac{3}{8}$ " x $4 \frac{1}{2}$ " x 3"

Shafts: $\frac{5}{16}$ " diameter, length: $2 \frac{27}{32}$ "

Vented

Connector: Two conductor, ring terminal with Packard #2984528 $\frac{1}{4}$ " blade



73R4532

RD-3-10538-0P

Single Speed

12 Volt

Field Wound Motor

Stud Mounted, Span $2 \frac{5}{16}$ "

Dimensions: $5 \frac{1}{8}$ " x $4 \frac{1}{2}$ " x 3"

Shafts: $\frac{5}{16}$ " diameter,

Shaft length: $2 \frac{7}{16}$ "

Vented

Includes gasket and wire assembly

Connector: Two conductor integrated spade receptacle



73R4602

RD-5-5837-0P

Single Speed

12 Volt

Permanent Magnet Motor

Stud Mounted, Span $2 \frac{5}{16}$ "

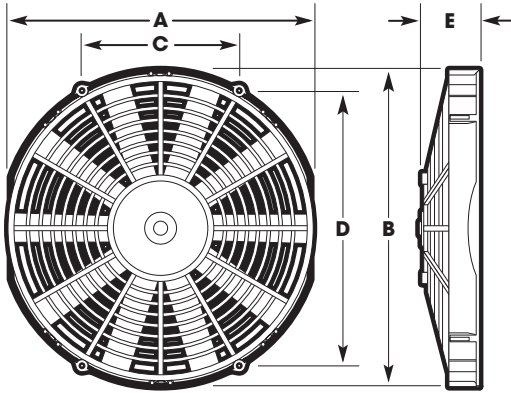
Dimensions: $5 \frac{3}{4}$ " x $4 \frac{3}{4}$ " x 3"

Shafts: $\frac{3}{8}$ " diameter, length: $2 \frac{5}{8}$ "

Non Vented



MOTORS/PANCAKE FAN ASSEMBLY



NOTE:

- A.** Overall diameter of fan assembly
- B.** Overall height of fan assembly
- C.** Mounting hole distance (upper left to upper right)
- D.** Mounting hole distance (upper to lower)
- E.** Maximum thickness of fan assembly

PANCAKE FANS – Listed in ascending order by overall diameter [A]

[A] Overall Diameter	[B] Overall Height	[C] Mounting Holes Width	[D] Mounting Holes Height	[E] Thickness	Rotation	Push/Pull	Speed	Voltage	Type	Red Dot Part No.	Factory No.
12 VOLT											
8	8 1/4	6	6	2 1/2	CW	Push	1	12	PM	73R8702	RD-5-8759-1P
10 5/8	11 1/4	5 5/8	9 3/4	2	CW	Pull	1	12	PM	73R8562	RD-5-8703-2P
11 1/2	12 3/16	6 1/8	10 5/8	2	CW	Pull	1	12	PM	73R8612	RD-5-8627-5P
12 5/8	13 1/4	6 5/8	11 1/2	2	CCW	Pull	1	12	PM	73R8582	RD-5-8631-2P
13	13	9 3/8	9 3/8	3 3/4	CCW	Push	1	12	PM	73R8642	RD-5-9076-2P
13	13	9 3/8	9 3/8	3 3/4	CCW	Pull	1	12	PM	73R8652	RD-5-8747-4P
13	13	9 3/8	9 3/8	3 3/4	CCW	Pull	1	12	PM	73R8622	RD-5-13259-0P
15 3/4	16 1/4	8 1/8	14	2 1/2	CW	Pull	1	12	PM	73R8592	RD-5-8785-2P
24 VOLT											
10 5/8	11 1/4	5 5/8	9 3/4	2	CW	Pull	1	24	PM	73R8564	RD-5-8703-3P
10 3/4	11 1/4			5	CCW	Pull	1	24	PM	73R8674	RD-5-10933-1P
11 1/2	12 3/16	6 1/8	10 5/8	2	CW	Pull	1	24	PM	73R8554	RD-5-8559-0P
11 1/2	12 3/16	6 1/8	10 5/8	2	CW	Pull	1	24	PM	73R8614	RD-5-8627-6P
12 5/8	13 1/4	6 5/8	11 1/2	2	CCW	Pull	1	24	PM	73R8584	RD-5-8631-3P
13	13	9 3/8	9 3/8	3 3/4	CCW	Push	1	24	PM	73R8644	RD-5-9076-3P
13	13	9 3/8	9 3/8	3 3/4	CCW	Pull	1	24	PM	73R8654	RD-5-8747-5P
13	13	9 3/8	9 3/8	3 3/4	CCW	Pull	1	24	PM	73R8624	RD-5-13259-1P
15 3/4	16 1/4	8 1/8	14	2 1/2	CW	Pull	1	24	PM	73R8594	RD-5-8785-5P

Operating temperature in working conditions must range between -4°F (-20°C) and +176°F (+80°C)

73R8554

RD-5-8559-0P

Single Speed Puller
24 Volt
Rotates Clockwise
Permanent Magnet Motor
mounted with Shroud & Fan
Dimensions:
11 1/2" diameter x 2" thick,
Height: 12 3/16"



73R8562

RD-5-8703-2P

Single Speed Puller
12 Volt
Rotates Clockwise
Permanent Magnet Motor
mounted with Shroud & Fan
Dimensions:
10 5/8" diameter x 2" thick
Height: 11 1/4"



MOTORS/PANCAKE FAN ASSEMBLY

73R8564

RD-5-8703-3P

Single Speed Puller
24 Volt
Rotates Clockwise
Permanent Magnet Motor
mounted with Shroud & Fan
Dimensions:
10 5/8" diameter x 2" thick
Height: 11 1/4"



73R8594

RD-5-8785-5P

Single Speed Puller
24 Volt
Rotates Clockwise
Permanent Magnet Motor
mounted with Shroud & Fan
Dimensions:
15 3/4" diameter x 2 1/2" thick
Height: 16 1/4"



73R8582

RD-5-8631-2P

Single Speed Puller
12 Volt
Rotates Counter Clockwise
Permanent Magnet Motor
mounted with Shroud & Fan
Dimensions:
12 5/8" diameter x 2" thick
Height: 13 1/4"



73R8612

RD-5-8627-5P

Single Speed Puller
12 Volt
Rotates Clockwise
Permanent Magnet Motor
mounted with Shroud & Fan
Dimensions:
11 1/2" diameter x 2" thick
Height: 12 3/16"



73R8584

RD-5-8631-3P

Single Speed Puller
24 Volt
Rotates Counter Clockwise
Permanent Magnet Motor
mounted with Shroud & Fan
Dimensions:
12 5/8" diameter x 2" thick
Height: 13 1/4"



73R8614

RD-5-8627-6P

Single Speed Puller
24 Volt
Rotates Clockwise
Permanent Magnet Motor
mounted with Shroud & Fan
Dimensions:
11 1/2" diameter x 2" thick
Height: 12 3/16"



73R8592

RD-5-8785-2P

Single Speed Puller
12 Volt
Rotates Clockwise
Permanent Magnet
mounted with Shroud & Fan
Dimensions:
15 3/4" diameter x 2 1/2" thick
Height: 16 1/4"



73R8622

RD-5-13259-0P

Single Speed Puller
12 Volt
Rotates Counter Clockwise
Permanent Magnet Motor
mounted with Shroud & Fan
Dimensions:
13" diameter x 3 3/4" thick
Height 13"



MOTORS/PANCAKE FAN ASSEMBLY

73R8624

RD-5-13259-1P

Single Speed Puller
24 Volt
Rotates Counter Clockwise
Permanent Magnet Motor
mounted with Shroud & Fan
Dimensions:
13" diameter x 3 3/4" thick
Height 13"



73R8642

RD-5-9076-2P

Single Speed
12 Volt
Rotates Counter Clockwise
Permanent Magnet Motor



73R8644

RD-5-9076-3P

Single Speed Pusher
24 Volt
Rotates Counter Clockwise
Permanent Magnet Motor
mounted with Shroud & Fan
Dimensions:
13" diameter x 3 3/4" thick
Height 13"



73R8652

RD-5-8747-4P

Single Speed Puller
12 Volt
Rotates Counter Clockwise
Permanent Magnet Motor
mounted with Shroud & Fan
Dimensions:
13" diameter x 3 3/4" thick
Height 13"



73R8654

RD-5-8747-5P

Single Speed Puller
24 Volt
Rotates Counter Clockwise
Permanent Magnet Motor
mounted with Shroud & Fan
Dimensions:
13" diameter x 3 3/4" thick
Height 13"



73R8674

RD-5-10933-1P

Single Speed Puller
24 Volt
Rotates Counter Clockwise
Brushless Motor
mounted with Shroud & Fan
Dimensions:
10 3/4" diameter x 5" thick
Height 11 1/4"



73R8702

RD-5-8759-0P

Single Speed Pusher
12 Volt
Rotates Counter Clockwise
Permanent Magnet Motor
mounted with Shroud & Fan
Dimensions:
8" diameter x 2 1/2" thick
Height: 8 1/4"



73R8712

RD-5-14681-0P

Single Speed Pusher
12 Volt
Rotates Counter Clockwise
Permanent Magnet Motor
mounted with Shroud & Fan
Dimensions:
12" diameter x 4" thick
Height 12"



73R8714

RD-5-14281-1P

Single Speed Puller
24 Volt
Rotates Counter Clockwise
Permanent Magnet Motor
mounted with Shroud & Fan
Dimensions:
9" diameter x 2" thick
Height 9"



73R8744

RD-5-13259-3P

Single Speed Puller
24 Volt
Rotates Counter Clockwise
Permanent Magnet Motor
mounted with Shroud & Fan
Dimensions:
13" diameter x 3 3/4" thick



73R8722

RD-5-14682-0P

Single Speed Puller
12 Volt
Rotates Counter Clockwise
Permanent Magnet Motor
mounted with Shroud & Fan
Dimensions:
13" diameter x 2 1/2" thick
Height 13"



73R8732

RD-5-14683-0P

Single Speed Pusher
12 Volt
Rotates Counter Clockwise
Permanent Magnet Motor
mounted with Shroud & Fan
Dimensions:
12" diameter x 4" thick
Height 12"



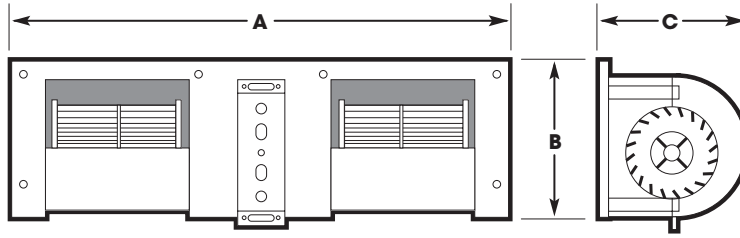
73R8742

RD-5-13259-2P

Single Speed Puller
12 Volt
Rotates Counter Clockwise
Permanent Magnet Motor
mounted with Shroud & Fan
Dimensions:
13" diameter x 4 3/4" thick



BLOWER ASSEMBLIES



Listed in ascending order by overall length [A] x width [B] x height [C]

[A] Overall Length	[B] Width	[C] Height	Speed	CFM	Red Dot Unit Model	Red Dot Part No.	Factory No.	Resistor
12 VOLT								
4 3/4"	3 1/8"	4 5/8"	3	153	R-290-0	73R5522	RD-5-8835-0P	71R1405
6 1/2"	5 5/8"	5 1/2"	1	350	R-6830-0, R-9792-0	73R5572	RD-5-9194-0P	
12 1/4"	3 1/8"	4 1/2"	3	442	R-295-0, R-9750-3, -4, -5, -6, R-8545-16	73R5532	RD-5-8837-0P	71R1403
12 1/4"	3 1/8"	4 1/2"	1	253	R-6500	73R5642	RD-5-8837-1P	
13 3/4"	5 3/8"	5 1/8"	3	619	R-1620, R-9777-0,-1	73R5552	RD-5-8583-0P	71R1402
13 3/4"	6 1/2"	5"	3	684	R-1400, R-2550 (late), R-2820	73R5622	RD-5-9204-0P	71R1402
13 7/8"	5"	4 1/8"		240	R-9755-0	73R5662	RD-5-12742-0P	
14 3/4"	5"	4 11/32"	1	360	R-2000-6	73R5512	RD-5-14191-0P	
17 3/4"	4"	4 3/4"	3	442	R-8500-2P, R-8500-3P	73R5672	RD-3-14448-0P	
18 7/16"	3"	6 21/32"	1	800	R-9715-0, Transair 412025	73R5502	RD-3-6770-0P	
18 1/2"	7 1/2"	6 1/2"	1	800	R-9475-0	73R5632	RD-3-9290-0P	
24 VOLT								
4 3/4"	3 1/8"	4 5/8"	3	153	R-290-0-24	73R5524	RD-5-8836-0P	71R1405
6 1/2"	5 5/8"	5 1/2"	1	350	R-6830-0-24 with Metripak plug	73R5584	RD-5-9194-1P	
6 1/2"	5 5/8"	5 1/2"	1	350	R-6830-0-24 with AMP 180 906-0 plug	73R5574	RD-5-9194-24P	
12 1/4"	3 1/8"	4 1/2"	3	442	R-295-0-24, R-9750-3-24, -4-24, -5-24, -6-24	73R5534	RD-5-8838-0P	71R1404
13 3/4"	5 3/8"	5 1/8"	3	619	R-1620-0-24, -1-24, R-9777-0-24, -1-24	73R5554	RD-5-8583-1P	71R1401
13 3/4"	6 1/2"	5"	3	684	R-2825, R-9007	73R5624	RD-5-9204-1P	71R1401
13 7/8"	5"	4 1/8"		240	R-9755-0-24	73R5664	RD-5-12742-24P	
14 3/4"	5"	4 11/32"	1	360	R-2000-6-24	73R5514	RD-5-8526-1P	
17 3/4"	4 3/4"	4 1/2"	3	442	R-8500-2P, R-8500-3P-24P	73R5674	RD-3-14448-1P	
18 7/16"	3"	6 21/32"	1	800	R-9715-0-24	73R5504	RD-3-6770-24P	
18 1/2"	7 1/2"	6 1/2"	1	800	R-9475-0-24	73R5634	RD-3-9290-24P	

BLOWER ASSEMBLIES by OEM Model

[A] Overall Length	[B] Height	[C] Width	Speed	Volt	OEM Model	Red Dot Part No.	Factory No.	Resistor
13 3/4"	5 3/8"	5 1/8"	1	12	Freightliner, OE# 2809-820-016; 301147	73R5562 LS	RD-5-8948-0P	

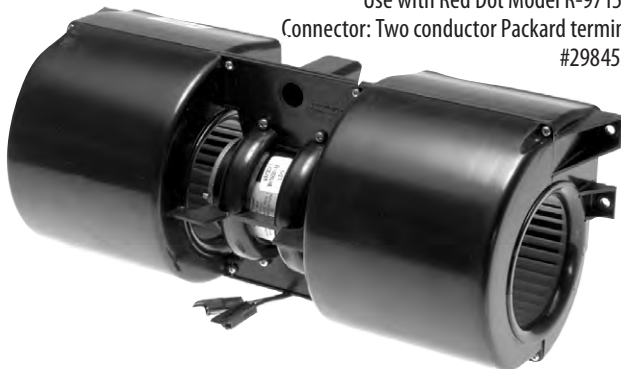
* Operating temperature in working conditions must range between -4°F (-20°C) and +176°F (+80°C)

73R5502

RD-3-6770-0P

Single Speed – 800 CFM – 12 volt
18 7/16" x 3" x 6 21/32"

Use with Red Dot Model R-9715-0
Connector: Two conductor Packard terminal
#2984528

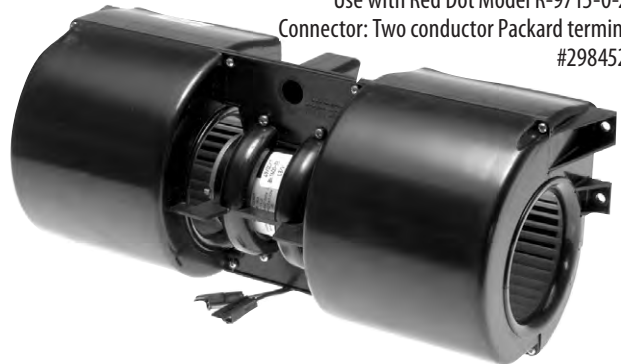


73R5504

RD-3-6770-24P

Single Speed – 800 CFM – 24 volt
18 7/16" x 3" x 6 21/32"

Use with Red Dot Model R-9715-0-24
Connector: Two conductor Packard terminal
#2984528



LS = Limited to stock on hand

BLOWER ASSEMBLIES

73R5512

RD-5-14191-0P

Single Speed – 360 CFM – 12 volt – 14 3/4" x 5" x 4 1/2"
Use with Red Dot Model R-2000-6
Connector: Packard 2971859, 02965142



73R5514

RD-5-8526-1P

Single Speed – 360 CFM – 24 volt – 14 3/4" x 5" x 4 1/2"
Use with Red Dot Model R-2000-6-24
Connector: Packard 2971859, 02965142



73R5522 *

RD-5-8835-0P

Three Speed – 153 CFM – 12 volt
4 3/4" x 3 1/8" x 4 5/8"
Use with Red Dot Model R-290-0
Connector: Three conductor
module connector



73R5524 *

RD-5-8836-0P

Three Speed – 153 CFM – 24 volt
4 3/4" x 3 1/8" x 4 5/8"
Use with Red Dot Model R-290-0-24
Connector: Three conductor
module connector



73R5532 *

RD-5-8837-0P

Three Speed – 442 CFM – 12 volt – 12 1/4" x 3 1/8" x 4 1/2"
Use with Red Dot Model R-295-0, R-9750-3,-4,-5,-6
Replacement Resistor: 71R1403



73R5534 *

RD-5-8838-0P

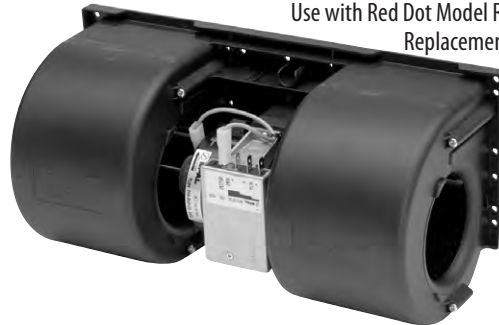
Three Speed – 442 CFM – 24 volt – 12 1/4" x 3 1/8" x 4 1/2"
Use with Red Dot Model R-295-0-24, R-9750-3-24,-4-24,-5-24,-6-24
Replacement Resistor: 71R1404



73R5552 *

RD-5-8583-0P

Three Speed – 619 CFM – 12 volt – 13 3/4" x 5 3/8" x 5 1/8"
Use with Red Dot Model R-1620, R-9777-0,-1
Replacement Resistor 71R1402



73R5554 *

RD-5-8583-1P

Three Speed – 619 CFM – 24 volt – 13 3/4" x 5 3/8" x 5 1/8"
Use with Red Dot Models R-1620-1-24,
R-1620-0-24, R-9777-0-24 &
R-9777-1-24
Replacement
Resistor
71R1401



* Operating temperature in working conditions must range between -4°F (-20°C) and +176°F (+80°C)

BLOWER ASSEMBLIES

73R5562

RD-5-8948-0P

LS Single Speed – 12 volt – 13 3/4" x 5 3/8" x 5 1/8"
Use on Freightliner models 2809-820-016, 301147
Connector: Two conductor Metripak



73R5624 *

RD-5-9204-1P

Three Speed – 684 CFM – 24 volt – 13 3/4" x 6 1/2" x 5"
Use on Red Dot Models: R-2825, R-9007
Replacement Resistor 71R1401



73R5572

RD-5-9194-0P

Single Speed – 300 CFM – 12 volt – 6 1/2" x 5 5/8" x 5 1/2"
Use on Red Dot Models:
R-6830-0, R-9792-0
Connector: Two conductor Metripak



73R5632

RD-3-9290-0P

Single Speed – 800 CFM – 12 volt – 18 1/2" x 7 1/2" x 6 1/2"
Use on Red Dot Models: R-9475-0



73R5574

RD-5-9194-24P

Single Speed – 350 CFM – 24 volt – 6 1/2" x 5 5/8" x 5 1/2"
Use on Red Dot Model: R-6830-0-24P
Connector: AMP 180 906-0



73R5634

RD-3-9290-24P

Single Speed – 800 CFM – 24 volt – 18 1/2" x 7 1/2" x 6 1/2"
Use on Red Dot Models: R-9475-0-24



73R5622 *

RD-5-9204-0P

Three Speed – 684 CFM – 12 volt – 13 3/4" x 6 1/2" x 5"
Use on Red Dot Models: R-1400, R-2550, R-2820
Replacement Resistor 71R1402



73R5642 *

RD-5-8837-1P

Single Speed – 253 CFM – 12 volt – 12 1/4" x 3 1/8" x 4 1/2"
Use on Red Dot Models: R-6500



LS = Limited to stock on hand

* Operating temperature in working conditions must range between -4°F (-20°C) and +176°F (+80°C)

BLOWER ASSEMBLIES

BLOWER MOTORS
& FANS

73R5652

RD-5-14046-0P

Single Speed – 253 CFM – 12 volt – 12 ¼" x 3 ½" x 4 ½"
Use on Volvo 3946686



73R5672

RD-3-14448-0P

Three Speed – 442 CFM – 12 volt – 17 ¾" x 4 ¾" x 4 ½"
Use on Red Dot Models: R-8500-2P, R-8500-3P



73R5662

RD-5-12742-0P

Single Speed – 240 CFM – 12 volt – 13 ⅞" x 5" x 4 ½"
Use on Red Dot Model R-9755-0-24P



73R5674

RD-3-14448-1P

Three Speed – 442 CFM – 24 volt – 17 ¾" x 4 ¾" x 4 ½"
Use on Red Dot Models: R-8500-2P, R-8500-3P-24P



73R5664

RD-5-12742-24P

Single Speed – 240 CFM – 24 volt – 13 ⅞" x 5" x 4 ½"
Use on Red Dot Model R-9755-0-24P



73R5682

RD-2-3000-0P

Single Speed – 360 CFM – 12 volt – 14 ¾" x 5" x 4 11/32"
Use on Red Dot Models: R-2000
Connector: Packard 2971859, 02965142



Image Not Available

* Operating temperature in working conditions must range between -4°F (-20°C) and +176°F (+80°C)

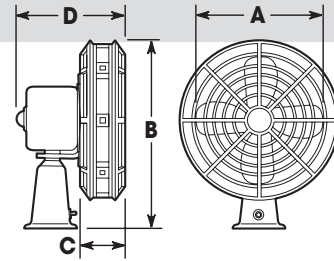
BLOWER ASSEMBLY REPLACEMENT RESISTORS

Part No.	Factory No.	Fits	Amps	Terminals		
				Resistance (ohms)		
				1	2	3
71R1401	RD-5-9445-0P	73R5554, 73R5624	22	1.5	.75	0
71R1402	RD-5-9437-0P	73R5552, 73R5622	22	.5	.25	0
71R1403	RD-5-9447-0P	73R5532	12	1	.5	0
71R1404	RD-5-9448-0P	73R5534	12	2	1	0
71R1405	RD-5-9449-0P	73R5524	22	2	1	0

FANS

ALL PURPOSE FANS

The all purpose fan is designed to mount on either Horizontal (dash) or vertical (wall) surfaces. A unique spring loaded ball and socket allows easy adjustment of air direction, but once set remains in position. The 73R9052 fan blade has a matte black polypropylene fan guard and the 73R9062 uses a bright chrome metal wire guard.



BLOWER MOTORS & FANS

ALL PURPOSE FANS - Listed in ascending order by Fan Diameter [A]

[A] Fan Diameter	[B] Fan Overall Height	[C] Fan Guard Width	[D] Overall Fan Depth	Rotation*	Speed	SPDT Switch Function	Rating	Finish	Red Dot Part No.	Factory No.
12 VOLT										
7 1/8	8 3/8	1 13/16	5	CW	2	Off-Low-High	Hi spd @ 160 cfm	Black	73R9052	RD-5-4575-0P
7 1/8	8 3/8	1 13/16	5	CW	2	Off-Low-High	Hi spd @ 160 cfm	Black	73R9072	RD-5-5887-0P
7 1/2	8 5/8	2 3/16	5 1/4	CW	2	On-Off-On	3.3 amps @ 13.6VDC	Black/Chrome	73R9062	RD-5-5796-0P
7 1/2	8 3/4	-	5 3/8	CW	2	Off-Low-High	3.3 amps @ 13.6VDC	Chrome	73R9082	RD-5-10490-0P
7 1/2	8 3/4	-	5 3/8	CW	2	Off-Low-High	3.3 amps @ 13.6VDC	Black	73R9092	RD-5-10490-4P
24 VOLT										
7 1/8	8 3/8	1 13/16	5	CW	2	Off-Low-High	1.65 amps @ 27.2 VDC	Black, Metal/Plastic	73R9054	RD-5-4575-24P
7 1/2	8 5/8	2 3/16	5 1/4	CW	2	On-Off-On	1.65 amps @ 27.2 VDC	Chrome	73R9064	RD-5-5796-24P

73R9052 RD-5-4575-0P

12V, Plastic Cage, two wire with toggle

73R9054 RD-5-4575-24P

24V, Plastic Cage, two wire with toggle



73R9062 RD-5-5796-0P

12V, Metal Cage

73R9064 RD-5-5796-24P

24V, Metal Cage



73R9072 RD-5-5887-0P

12V, Plastic Cage, three wire, uses remote switch



73R9082 RD-5-10490-0P

12V, Metal Cage, two wire with toggle



73R9092 RD-5-10490-4P

12V, Black Metal Cage, two wire with toggle



FAN BLADES

Listed in ascending order by blade diameter

Part No.	Factory No.	Diameter	Bore Diameter	Rotation*	Pitch	Material
73R8050	RD-5-3133-9P	6	1/4	CW	—	Plastic
73R8081	RD-5-13533-0P	8	5/16	CW	32°	Steel
73R8100	RD-5-7297-0P	10	5/16	CW	28°	Aluminum
73R8110	RD-4-3508-0P	10	5/16	CW	22°	Aluminum
73R8320	RD-5-10083-0P	10	5/16	CCW	18°	Aluminum

* Rotation as viewed from discharge side.

6" Diameter

73R8050 RD-3133-9P

6" Diameter



8" Diameter

73R8081 RD-5-13533-0P

8" Diameter



10" Diameter

73R8100 RD-5-7297-0P

10" Diameter, 28° Pitch



73R8110 RD-4-3508-0P

10" Diameter, 22° Pitch



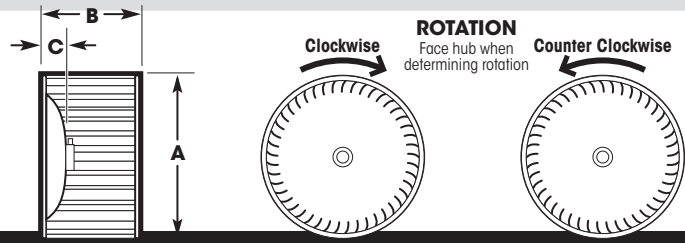
73R8320 RD-5-10083-0P

10" Diameter, 18° Pitch



BLOWER MOTORS & FANS

BLOWER WHEELS



Listed in ascending order by wheel diameter

BLOWER MOTORS & FANS

	[A] Wheel Diameter	[B] Width	[C] Hub Inset	Bore Diameter	Rotation*	Material	Red Dot Part No.	Factory No.
SINGLE ENTRY	3 13/16	2 1/2	Flat	5/16	CCW	Steel	73R6300	RD-5-7312-0P
	3 13/16	2 1/2	Flat	5/16	CW	Steel	73R6350	RD-5-7311-0P
	5	3	1/2	5/16	CW	Plastic	73R7215	RD-5-14613-0P
	5 1/4	2 1/2	7/8	5/16	CW	Steel	73R6101	RD-3106-38P
	5 1/4	2 1/2	7/8	5/16	CCW	Steel	73R6151	RD-3106-39P
	5 1/4	3 7/16	Flat	5/16	CW	Steel	73R6251	RD-5-3800-1P
	5 1/4	3 1/2	Flat	5/16	CW	Steel	73R6230	RD-5-5263-0P
	5 1/4	3 1/2	7/8	5/16	CCW	Steel	73R6051	RD-5-8618-0P
	5 5/8	2 3/4	7/8	5/16	CCW	Plastic	73R6253	RD-5-10753-0P
	5 3/4	3	1 13/16	5/16	CCW	Plastic	73R6370	RD-5-5601-0P
	5 3/4	3 1/8	7/8	5/16	CW	Steel	73R6381	RD-5-6651-1P
	5 3/4	3 1/4	Flat	5/16	CW	Steel	73R6270	RD-5-8947-0P
5 3/4	3 1/4	Flat	5/16	CCW	Steel	73R6383	RD-5-10435-0P	
DOUBLE ENTRY	3 3/16	3 13/16	1 1/8	5/16	Dual	Plastic	73R7000	RD-5-5656-0P
	3 5/16	3 3/4	1 13/16	5/16	Dual	Steel	73R7071	RD-3-4829-1P
	3 3/4	3 7/8	1 7/8	5/16	Dual	Steel	73R7101	RD-5-3933-1P
	3 13/16	4 5/32	2	5/16	CW	Steel	73R7110	RD-5-6970-0P
	3 13/16	4 5/32	2	5/16	CCW	Steel	73R7120	RD-5-6970-1P
	4 1/4	3 1/4	1 13/16	5/16	Dual	Plastic	73R7135	RD-5-13230-0P
	4 3/4	3 7/32	1 1/16	5/16	Dual	Plastic	73R7130	RD-5-10346-0P
	5	3 7/8	1 5/8	5/16	CCW	Steel	73R7210	RD-5-8092-1P
	5	3 7/8	2	5/16	CW	Steel	73R7200	RD-5-8092-0P
	5 1/4	3 3/4	1/2	5/16	CCW	Plastic	73R7202	RD-5-10935-2P
	5 1/4	3 3/4	1 7/8	5/16	Dual	Steel	73R7151	RD-3-2557-2P
	5 5/16	3 3/4	1/2	5/16	Dual	Plastic	73R7201	RD-5-10935-0P

NOTE: * Rotation is determined by facing hub as pictured

SINGLE ENTRY BLOWER WHEELS

73R6051

RD-5-8618-0P

5 1/4" diameter, 3 1/2" width
5/16" bore diameter
Hub inset: 7/8"
Counter Clockwise Rotation
Steel



73R6101

RD-3106-38P

5 1/4" diameter, 2 1/2" width
5/16" bore diameter
Hub inset: 7/8"
Clockwise Rotation
Steel



SINGLE ENTRY BLOWER WHEELS

**BLOWER MOTORS
& FANS**

73R6151

RD-3106-39P

5 1/4" diameter, 2 1/2" width
5/16" bore diameter
Hub inset: 7/8"
Counter Clockwise Rotation
Steel



73R6300

RD-5-7312-0P

3 13/16" diameter, 2 1/2" width
5/16" bore diameter
Hub inset: Flat
Counter Clockwise Rotation
Steel



73R6230

RD-5-5263-0P

5 1/4" diameter, 3 1/2" width
5/16" bore diameter
Hub inset: 3/4"
Clockwise Rotation
Steel



73R6350

RD-5-7311-0P

3 13/16" diameter, 2 1/2" width
5/16" bore diameter
Hub inset: Flat
Clockwise Rotation
Steel



73R6251

RD-5-3800-1P

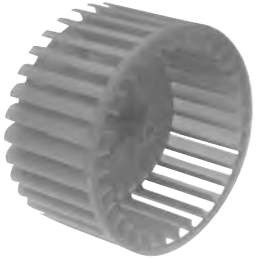
5 1/4" diameter, 3 7/16" width
5/16" bore diameter
Hub inset: Flat
Clockwise Rotation
Steel



73R6370

RD-5-5601-0P

5 3/4" diameter, 3" width
5/16" bore diameter
Hub inset: 1 13/16"
Counter Clockwise Rotation
Plastic



73R6253

RD-5-10753-0P

6" diameter, 3" width
5/16" bore diameter
Hub inset: 1 1/2"
Counter Clockwise Rotation
Plastic



73R6381

RD-5-6651-1P

5 3/4" diameter, 3 1/8" width
5/16" bore diameter
Hub inset: 7/8"
Clockwise Rotation
Steel



73R6270

RD-5-8947-0P

5 3/4" diameter, 3 1/4" width
5/16" bore diameter
Hub inset: Flat
Clockwise Rotation
Steel



73R6383

RD-5-10435-0P

5 3/4" diameter, 3 1/4" width
5/16" bore diameter
Hub inset: Flat
Counter Clockwise Rotation
Steel



BLOWER WHEELS

SINGLE ENTRY BLOWER WHEELS

73R7215

RD-5-14613-0P

5" diameter, 3" width
5/16" bore diameter
Hub inset: 1/2"
Clockwise Rotation
Plastic
John Deere - CB11454747



DOUBLE ENTRY BLOWER WHEELS

73R7000

RD-5-5656-0P

3 3/16" diameter, 3 13/16" width
5/16" bore diameter
Hub inset: 1 1/8"
Dual Rotation
Plastic



73R7120

RD-5-6970-1P

3 13/16" diameter, 4 5/32" width
5/16" bore diameter
Hub inset: 2"
Counter Clockwise Rotation
Steel



73R7071

RD-3-4829-1P

3 5/16" diameter, 3 3/4" width
5/16" bore diameter
Hub inset: 1 13/16"
Dual Rotation
Steel



73R7130

RD-5-10346-0P

4 3/4" diameter, 3 7/32" width
5/16" bore diameter
Hub inset: 1 1/16"
Clockwise Rotation
Plastic



73R7101

RD-5-3933-1P

3 3/4" diameter, 3 7/8" width
5/16" bore diameter
Hub inset: 1 7/8"
Dual Rotation
Steel



73R7135

RD-5-13230-0P

4 1/2" diameter, 3 1/4" width
Bore Diameter: 5/16" bore diameter
Clockwise / Counter Clockwise Rotation
Plastic



73R7110

RD-5-6970-0P

3 13/16" diameter, 4 5/32" width
5/16" bore diameter
Hub inset: 2"
Clockwise Rotation
Steel



73R7151

RD-3-2557-2P

5 1/4" diameter, 3 3/4" width
5/16" bore diameter
Hub inset: 1 7/8"
Dual Rotation
Steel



DOUBLE ENTRY BLOWER WHEELS

**BLOWER MOTORS
& FANS**

73R7200

RD-5-8092-0P

5" diameter, 3 7/8" width
5/16" bore diameter
Hub inset: 2"
Clockwise Rotation
Steel



73R7202

RD-5-10935-2P

5 5/16" diameter, 3 3/4" width
5/16" bore diameter
Hub inset: 1/2"
Counter Clockwise Rotation
Plastic
Fits brushed blower motor 73R1064



73R7201

RD-5-10935-0P

5 5/16" diameter, 3 3/4" width
5/16" bore diameter
Hub inset: 1/2"
Dual Rotation
Plastic



73R7210

RD-5-8092-1P

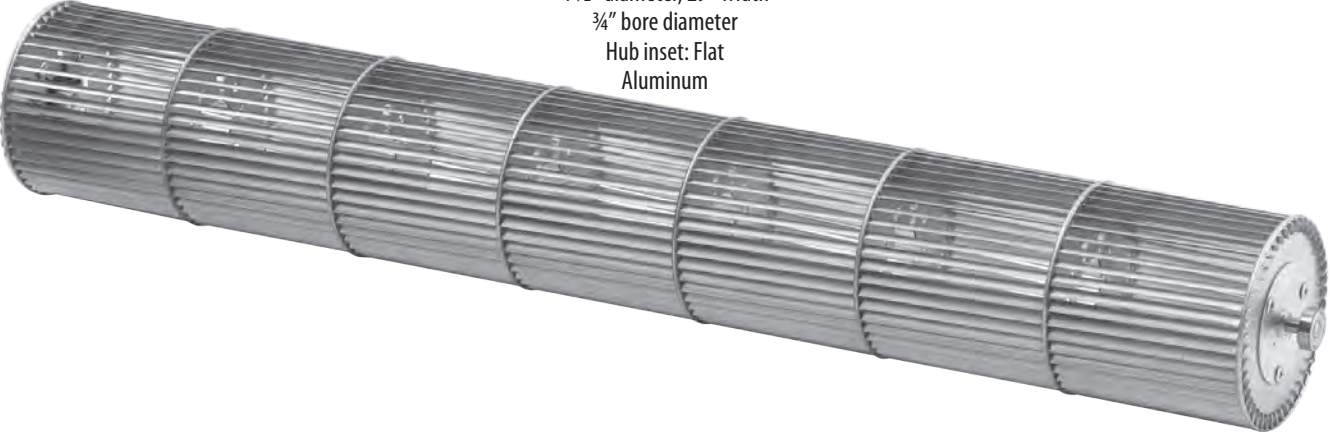
5" diameter, 3 7/8" width
5/16" bore diameter
Hub inset: 1 5/8"
Counter Clockwise Rotation
Steel



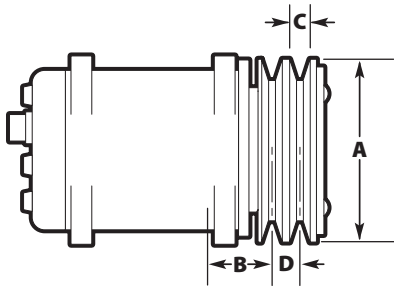
73R7220

RD-5-15298-0P

4 1/2" diameter, 29" width
3/4" bore diameter
Hub inset: Flat
Aluminum



NIPPONDENSO / SAMLIN COMPRESSOR CLUTCHES



If part number on clutch being replaced cannot be read use following procedure to determine required clutch part number.

1. Determine if clutch is double or single groove.
2. Determine if 12 or 24 volt.
3. Measure outside diameter "A" of pulley.
4. Measure width of pulley groove "C".
5. Measure the "B" dimension accurately.

- Clutches are listed by pulley diameter
- All keys are $\frac{5}{32}$ "
- "D" dimension is 0.62" on all double groove clutches.

CLUTCH SPECIFICATIONS Clutches are sorted by increasing size of Pulley Diameter [A]

[A] Pulley Diameter	[C] Grooves Width	[B] Gauge Line Dimension	Volts	Description	Red Dot No.	Red Dot Factory No.
4 1/2"	Poly 7 1/8"	7/8"	12	FX-15 / 2 prong Ford integral, 21 spline	75R4762	RD-5-10359-0P
4 7/8"	Poly 6 1/8"	—	12	FS-6 / 2 prong Ford integral	75R4702	RD-5-10401-0P
5"	Poly 6 1/8"	3/4"	12	FX-15 / 2 prong Ford integral, 21 spline	75R4742	RD-5-10357-0P
5 7/8"	1 7/16"	1 3/8"	12	FS-6 / 3 eye-2 prong Ford integral	75R4732	RD-5-9657-0P

CLUTCHES

75R4702

RD-5-10401-0P

Model: FS-6
Diameter: 4 7/8"
Groove: Poly 6
Width: 1/8"
12 Volts
B Dimension: -



Two-prong
Ford integral

75R4742

RD-5-10357-0P

OE # F10H-19D798AA, F20H-19D786-AA
Model: FX-15
Diameter: 5"
Groove: Poly 6
Width: 1/8"
12 Volts
B Dimension: - 3/4"



Two-prong
Ford integral, 21 spline

75R4732

RD-5-9657-0P

OE # 518484, FF-E4TH-BA1
Model: FS-6
Diameter: 5 7/8"
Groove: 1
Width: 7/16"
12 Volts
B Dimension: 1 3/8"



Two-prong
Ford integral

75R4762

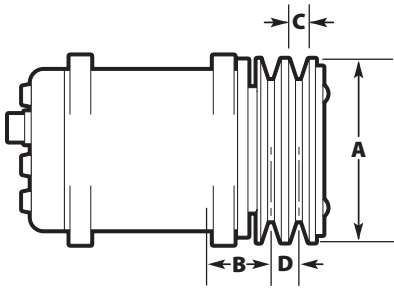
RD-5-10359-0P

Model: FX-15
Diameter: 4 1/2"
Groove: Poly 7
Width: 1/8"
12 Volts
B Dimension: - 7/8"



Two-prong
Ford integral, 21 spline

QUE / SELTEC / ICE / DIESEL KIKI / TAMA / ZEXEL COMPRESSOR CLUTCHES



If part number on clutch being replaced cannot be read use following procedure to determine required clutch part number.

1. Determine if clutch is double or single groove.
2. Determine if 12 or 24 volt.
3. Measure outside diameter "A" of pulley.
4. Measure width of pulley groove "C".
5. Measure the "B" dimension accurately.

- Clutches are listed by pulley diameter
- All keys are $\frac{3}{32}$ "
- "D" dimension is 0.62" on all double groove clutches.

CLUTCH SPECIFICATIONS Clutches are sorted by increasing size of Pulley Diameter [A]

[A] Pulley Diameter	[C] Grooves	[C] Width	[B] Gauge Line Dimension	Volts	Description	Red Dot No.	Red Dot Factory No.
4 $\frac{27}{32}$ " 123mm	Poly 6	0.14	1 $\frac{11}{32}$ " / 34mm	12	Seltec TM15 / 3 eye hub; single wire, male bullet	75R0072	RD-5-10526-0P
4 $\frac{27}{32}$ " 123mm	Poly 6	0.14	—	12	Seltec TM15 / spring leaf; single wire, male bullet	75R0092	RD-5-10545-0P
4 $\frac{27}{32}$ " 123mm	Poly 8	0.14	1 $\frac{11}{32}$ " / 34mm	12	Seltec TM15 / 3 eye hub; single wire, male bullet	75R0082	RD-5-10544-0P
4.9" 125mm	1	$\frac{1}{2}$ "	2 $\frac{7}{16}$ " / 62mm	12	Seltec/TAMA-CH / single wire coil, male bullet	75R0182	RD-5-6646-0P
4.9" 125mm	2	$\frac{1}{2}$ "	1 $\frac{1}{16}$ " / 40mm	12	Seltec TM15 / spring leaf; single wire, male bullet	75R0262	RD-5-10723-0P
4.9" 125mm	2	$\frac{1}{2}$ "	—	12	ICE - TM16 / spring leaf; double wire, Metripak plug	75R1212	RD-5-10724-0P
4.9" 125mm	Poly 8	0.14	—	12	ICE - TM16 / double wire coil, Metripak plug	75R0062	RD-5-10727-0P
5 $\frac{21}{64}$ " 135mm	2	$\frac{1}{2}$ "	1 $\frac{1}{16}$ " / 40mm	12	Seltec-CH / 3 eye hub; single wire, male bullet	75R0172	RD-5-11025-0P
5 $\frac{21}{64}$ " 135mm	2	$\frac{1}{2}$ "	—	12	Seltec TM15 / 3 eye hub; single wire, male bullet	75R0252	RD-5-10722-0P
5 $\frac{21}{64}$ " 135mm	2	$\frac{1}{2}$ "	1 $\frac{1}{16}$ " / 40mm	24	Seltec TM15 / 3 eye hub; single wire, male bullet	75R0274	RD-5-10232-0P
6" 152mm	2	$\frac{1}{2}$ "	3" / 76mm	12	ICE TM31 / 5 eye hub; single wire, male bullet	75R4782	RD-5-10301-0P
6" 152mm	Poly 8	0.14	2 $\frac{5}{8}$ " / 67mm	12	ICE TM31 / 5 eye hub; single wire, male bullet	75R4792	RD-5-10302-0P
6 $\frac{1}{4}$ " 159mm	1	$\frac{1}{2}$ - $\frac{3}{4}$ " var	1 $\frac{7}{8}$ " / 47mm	12	Seltec/ICE-CH / 3 eye hub; single wire, male bullet	75R1412	RD-5-9249-0P
6 $\frac{1}{4}$ " 159mm	1	$\frac{1}{2}$ - $\frac{3}{4}$ " var	1 $\frac{7}{8}$ " / 47mm	24	Seltec/ICE-CH / 3 eye hub; single wire, male bullet	75R1414	RD-5-9250-0P

CLUTCHES

75R0062

RD-5-10727-0P

OE # 2570201
Model: ICE - TM16
Diameter: 4.9" / 125mm
Groove: Poly 8
Width: .14"
12 Volts
B Dimension:



Double wire coil
Metripak plug



75R0082

RD-5-10544-0P

OE # 2570155
Model: Seltec - TM15
Diameter: 4 $\frac{27}{32}$ " / 123mm
Groove: Poly 8
Width: .14"
12 Volts
B Dimension: 1 $\frac{11}{32}$ " / 34 mm



Single wire coil
Male bullet plug



75R0072

RD-5-10526-0P

OE # 2570144
Model: Seltec - TM15
Diameter: 4 $\frac{27}{32}$ " / 123mm
Groove: Poly 6
Width: .14"
12 Volts
B Dimension: 1 $\frac{11}{32}$ " / 34 mm



Single wire coil
Male bullet plug



75R0092

RD-5-10545-0P

OE # 2570161
Model: Seltec - TM15
Diameter: 4 $\frac{27}{32}$ " / 123mm
Groove: Poly 6
Width: .14"
12 Volts
B Dimension: -



Single wire coil
Male bullet plug



QUE / SELTEC / ICE / DIESEL KIKI / TAMA / ZEXEL COMPRESSOR CLUTCHES

CLUTCHES

75R0172

RD-5-11025-0P

OE # 2570151
 Model: Seltec - CH
 Diameter: 5 2³/₄" / 135mm
 Groove: 2
 Width: 1/2"
 12 Volts
 B Dimension: 1 9¹/₆" / 40 mm



Single wire coil
 Male bullet plug



75R0274

RD-5-10232-0P

OE # 2570150
 Model: Seltec - TM15
 Diameter: 5 2³/₄" / 135mm
 Groove: 2
 Width: 1/2"
 24 Volts
 B Dimension: 1 9¹/₆" / 40 mm



Single wire coil
 Male bullet plug



75R0182

RD-5-6646-0P

OE # 511869
 Model: Seltec/TAMA - CH
 Diameter: 4.9" / 125mm
 Groove: 1
 Width: 1/2"
 12 Volts
 B Dimension: 2 7¹/₆" / 62 mm



Single wire coil
 Male bullet plug



75R1212

RD-5-10724-0P

OE # 2570158
 Model: ICE - TM16
 Diameter: 4.9" / 125mm
 Groove: 2
 Width: 1/2"
 12 Volts
 B Dimension: -



Double wire coil
 Metripak plug



75R0252

RD-5-10722-0P

OE # 2570152
 Model: Seltec - TM15
 Diameter: 5 2³/₄" / 135mm
 Groove: 2
 Width: 1/2"
 12 Volts
 B Dimension: -



Single wire coil
 Male bullet plug



75R1412

RD-5-9249-0P

OE # 2570148
 Model: Seltec - CH
 Diameter: 6 1/4" / 159mm
 Groove: 1
 Width: 1/2-3/4" variable
 12 Volts
 B Dimension: 1 7/8" / 47 mm



Single wire coil
 Male bullet plug



75R0262

RD-5-10723-0P

OE # 2570159
 Model: Seltec - TM15
 Diameter: 4.9" / 125mm
 Groove: 2
 Width: 1/2"
 12 Volts
 B Dimension: 1 9¹/₆" / 40 mm



Single wire coil
 Male bullet plug



75R1414

RD-5-9250-0P

OE # 2570149
 Model: Seltec - CH
 Diameter: 6 1/4" / 159mm
 Groove: 1
 Width: 1/2-3/4" variable
 24 Volts
 B Dimension: 1 7/8" / 47 mm



Single wire coil
 Male bullet plug



QUE/ SELTEC / ICE / DIESEL KIKI / TAMA / ZEXEL COMPRESSOR CLUTCHES

75R4782

RD-5-10301-0P

OE # 2570165
Model: ICE - TM31
Diameter: 6" / 152mm
Groove: 2
Width: ½
12 Volts
B Dimension: 3" / 76mm



Single wire coil
Male bullet plug



75R4792

RD-5-10302-0P

OE # 2570168
Model: ICE - TM31
Diameter: 6" / 152mm
Groove: Poly 8
Width: .14
12 Volts
B Dimension: 2 5/8" / 67mm

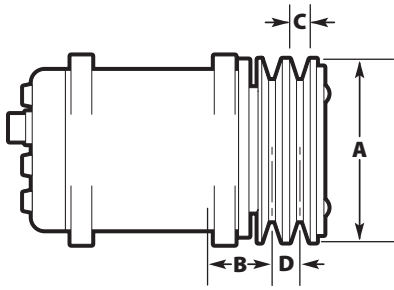


Single wire coil
Male bullet plug



CLUTCHES

SANDEN COMPRESSOR CLUTCHES



If part number on clutch being replaced cannot be read use following procedure to determine required clutch part number.

1. Determine if clutch is double or single groove.
2. Determine if 12 or 24 volt.
3. Measure outside diameter "A" of pulley.
4. Measure width of pulley groove "C".
5. Measure the "B" dimension accurately.

- Clutches are listed by pulley diameter
- All keys are 5/32".
- "D" dimension is 0.62" on all double groove clutches.

CLUTCH SPECIFICATIONS Clutches are sorted by increasing size of Pulley Diameter [A]

[A] Pulley Diameter	[C] Grooves Width	[B] Gauge Line Dimension	Volts	Description	Red Dot No.	Red Dot Factory No.
4.7" 119mm	Poly 6 0.14	2 1/2" / 63mm	12	709, 7H15 / double wire coil, male bullet	75R0032	RD-5-10398-0P
4.7" 119mm	Poly 7 0.14	—	12	SD5 (508, 510, 5H14) / single wire, male bullet	75R0042	RD-5-5574-0P
4.7" 119mm	Poly 7 0.14	1 7/8" / 48mm	12	709, 7H15 / single wire coil, Weatherpak	75R0052	RD-5-10399-0P
4.7" 119mm	Poly 8 0.14	—	12	709, 7H15 / double wire coil, Metripak plug	75R1842	RD-5-10760-0P
4.7" 119mm	Poly 8 0.14	1 13/16" / 46mm	12	709, 7H15 / single wire coil, male bullet	75R1862	RD-5-10762-0P
4.9" 125mm	2 1/2"	2 5/32" / 55mm	12	709, 7H15 / double wire coil, Metripak plug	75R1532	RD-5-10368-0P
4.9" 125mm	2 1/2"	—	12	SD7 / single wire coil, male bullet	75R0192	RD-5-7831-0P
4.9" 125mm	2 1/2"	1 1/16" / 40mm	24	709, 7H15 / single wire, fem. 280 HD Plug	75R0194	RD-5-7832-0P
4.9" 125mm	Poly 8 0.14	—	12	709, 7H15 / double wire coil, Ford OE Plug	75R1432	RD-5-10361-0P
5 1/8" 130mm	Poly 8 0.14	—	12	709, 7H15 / double wire coil, Metripak plug	75R4802	RD-5-11374-0P
5 1/4" 132mm	2 1/2"	1 1/16" / 40mm	12	SD5 (508, 510, 5H14) / single wire	75R0202	RD-5-5486-0P
5 1/4" 132mm	2 1/2"	1 1/16" / 40mm	24	SD5 (508, 510, 5H14) / single wire, male bullet	75R0204	RD-5-5487-0P
5 1/4" 132mm	2 1/2"	1 1/16" / 40mm	12	709, 7H15 / double wire coil, Ford OE Plug	75R1542	RD-5-10369-0P
5 1/4" 132mm	2 1/2"	—	12	709, 7H15 double wire coil, Metripak plug	75R1832	RD-5-10759-0P
5 1/4" 132mm	2 1/2"	—	12	709, 7H15 2 wire coil w diode, Metripak plug	75R1852	RD-5-10761-0P
6 2 1/2" 169mm	1 1/2"	1 1/16" / 40mm	12	709, 7H15 / double wire coil, Ford OE Plug	75R1512	RD-5-10360-0P

CLUTCHES

75R0032

RD-5-10398-0P

OE # 6524-6010
Model 709 / 7H15
Diameter: 4.7" / 119mm
Groove: Poly 6
Width: .14"
12 Volts
B Distance: 2 1/2" / 63mm



Double wire coil
Male bullet plug



75R0042

RD-5-5574-0P

OE # 6520-6010
Model SD5 (508, 510, 5H14)
Diameter: 4.7" / 119mm
Groove: Poly 7
Width: .14"
12 Volts
B Distance: -



Single wire coil
Male bullet plug



LS = Limited to stock on hand

SANDEN COMPRESSOR CLUTCHES

75R0052

RD-5-10399-0P

OE # 6512-6210
Model 709 / 7H15
Diameter: 4.7" / 119mm
Groove: Poly 7
Width: .14"
12 Volts
B Distance: 1 7/8" / 48mm



Single wire coil
Weatherpak plug



75R0192

RD-5-7831-0P

OE # 4446-9931
Model SD7
Diameter: 4.9" / 125mm
Groove: 2
Width: 1/2"
12 Volts
B Distance: -



Single wire coil
Male bullet plug



75R0194

RD-5-7832-0P

OE # 6511-6310
Model 709 / 7H15
Diameter: 4.9" / 125mm
Groove: 2
Width: 1/2"
24 Volts
B Distance: 1 1/16" / 40mm



Single wire coil
Female 280 HD plug



75R0202

RD-5-5486-0P

OE # 6575-6310
Model SD5 (508, 510, 5H14)
Diameter: 5 1/4" / 132mm
Groove: 2
Width: 1/2"
12 Volts
B Distance: 1 1/16" / 40mm



Single wire coil
Bare wire



75R0204

RD-5-5487-0P

OE # 6519-6210
Model SD5 (508, 510, 5H14)
Diameter: 5 1/4" / 132mm
Groove: 2
Width: 1/2"
24 Volts
B Distance: 1 1/16" / 40mm



Single wire coil
Male bullet plug



75R1432

RD-5-10361-0P

OE#6593-6010
Model 709 / 7H15
Diameter: 4.9" / 125mm
Groove: Poly 8
Width: .14"
12 Volts
B Distance: -



Double wire coil
Ford OE plug



75R1532

RD-5-10368-0P

OE # 6593-6010, 4740-9931
Model 709 / 7H15
Diameter: 4.9" / 125mm
Groove: 2
Width: 1/2"
12 Volts
B Distance: 2 5/32" / 55mm



Double wire coil
Metripak plug



75R1542

RD-5-10369-0P

OE # 6504-6010
Model 709 / 7H15
Diameter: 5 1/4" / 132mm
Groove: 2
Width: 1/2"
12 Volts
B Distance: 1 1/16" / 40mm



Double wire coil
Ford OE plug



CLUTCHES

SANDEN COMPRESSOR CLUTCHES

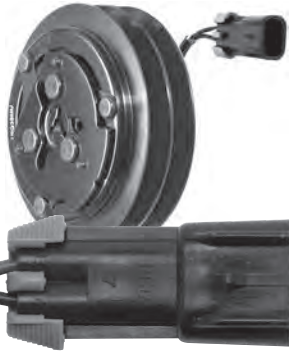
CLUTCHES

75R1832

RD-5-10759-0P

OE # 4694-9931
 Model 709 / 7H15
 Diameter: 5 1/4" / 132mm
 Groove: 2
 Width: 1/2"
 12 Volts
 B Distance: —

Double wire coil
 Metripak plug



75R1862

RD-5-10762-0P

OE #6522-6010, 9033-9900
 Model 709 / 7H15
 Diameter: 4.7" / 119mm
 Groove: Poly 8
 Width: .14"
 12 volts
 B Distance: 1 13/16" / 46mm

Single wire coil
 Male bullet plug



75R1842

RD-5-10760-0P

OE #4606-6871, 4705-9930, 9931
 Model 709 / 7H15
 Diameter: 4.7" / 119mm
 Groove: Poly 8
 Width: .14"
 12 volts
 B Distance: —

Double wire coil
 Metripak plug

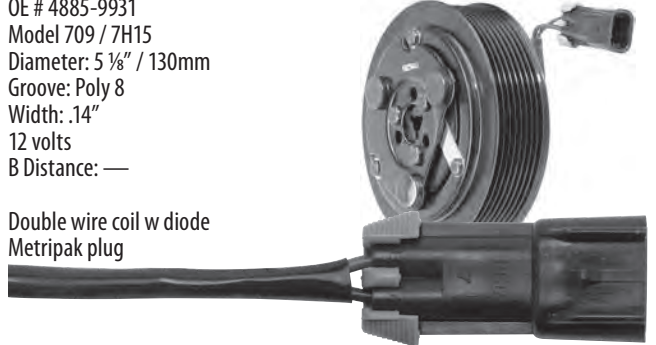


75R4802

RD-5-11374-0P

OE # 4885-9931
 Model 709 / 7H15
 Diameter: 5 1/8" / 130mm
 Groove: Poly 8
 Width: .14"
 12 volts
 B Distance: —

Double wire coil w diode
 Metripak plug

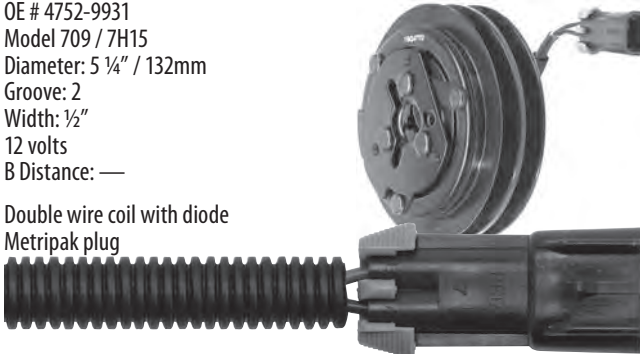


75R1852

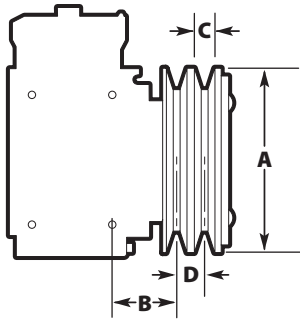
RD-5-10761-0P

OE # 4752-9931
 Model 709 / 7H15
 Diameter: 5 1/4" / 132mm
 Groove: 2
 Width: 1/2"
 12 volts
 B Distance: —

Double wire coil with diode
 Metripak plug



BLISSFIELD (TECUMSEH), TCCI (YORK) COMPRESSOR CLUTCHES



If part number on clutch being replaced cannot be read use following procedure to determine required clutch part number.

1. Determine if clutch is double or single groove.
2. Determine if 12 or 24 volt.
3. Measure outside diameter "A" of pulley.
4. Measure width of pulley groove "C".
5. Measure the "B" dimension accurately.

- Clutches are listed by pulley diameter
- All keys are 5/32".
- "D" dimension is 0.62" on all double groove clutches.

CLUTCH SPECIFICATIONS Clutches are sorted by increasing size of Pulley Diameter [A]

[A] Pulley Diameter	[C] Grooves	[C] Width	[B] Gauge Line Dimension	Volts	Description	Red Dot No.	Red Dot Factory No.
5"	Poly 6	0.14	—	12	double wire / Metripack plug	75R4812	RD-5-13784-0P
5 3/8"	Poly 8	0.14	1 5/8"	12	single wire with diode / Female Weatherpak (IHC) plug	75R0662	RD-5-9802-0P
5 3/4"	Poly 6	0.14	2"	12	double wire with diode / Metripack plug	75R0502	RD-5-10363-0P
5 3/4"	Poly 6	0.14	2"	12	single wire with diode / Weatherpak plug	75R0512	RD-5-10364-0P
5 7/8"	Poly 6	0.14	1 5/8"	12	double wire with diode / Metripack plug	75R0522	RD-5-10366-0P
6"	1	1/2"	2 3/4"	12	single wire with diode / Weatherpak plug	75R0302	RD-5-4966-0P
6"	1	1/2"	2 3/4"	12	single wire with diode / Female Weatherpak (IHC) plug	75R0402	RD-5-9665-0P
6"	2	1/2"	1 5/8"	12	single wire with diode / Weatherpak plug	75R1202	RD-5-4972-1P
6"	2	1/2"	1 5/8"	12	double wire with diode / Metripack plug	75R1302	RD-5-9456-0P
6"	2	1/2"	2 1/4"	12	single wire / Female Weatherpak (IHC) plug	75R0422	RD-5-10367-0P
6"	2	1/2"	2 1/4"	24	single wire / Male bullet plug	75R4734	RD-5-9659-0P
6 1/8"	Poly 6	0.14	—	12	single wire with diode / Female Weatherpak (IHC) plug	75R0612	RD-5-8009-0P
6 1/8"	Poly 8	0.14	1 15/16"	12	double wire with diode / Metripack plug	75R0682	RD-5-10365-0P
6 1/4"	1	5/8"	2 11/16"	12	single wire / Female Weatherpak (IHC) plug	75R1342	RD-5-10397-0P
6 3/4"	1	5/8"	1 3/4"	12	single wire / Male bullet plug	75R1652	RD-5-4975-0P
7"	2	1/2"	2"	12	single wire / Male bullet plug	75R4502	RD-5-4994-0P
7"	2	1/2"	2"	24	single wire / Male bullet plug	75R4534	RD-5-8382-0P

CLUTCHES

75R0302

RD-5-4966-0P

OE #L50-2409
Diameter: 6"
Groove: 1
Width: 1/2"
12 Volts
B Dimension: 2 3/4"

Single wire coil w diode
Weatherpak plug



75R0422

RD-5-10367-0P

Diameter: 6"
Groove: 2
Width: 1/2"
12 Volts
B Dimension: 2 1/4"

Single wire coil
Female Weatherpak (IHC) plug



75R0402

RD-5-9665-0P

OE #508888
Diameter: 6"
Groove: 1
Width: 1/2"
12 Volts
B Dimension: 2 3/4"

Single wire coil
Female Weatherpak (IHC) plug



75R0452

RD-5-4967-0P

OE #501215
Diameter: 6"
Groove: 2
Width: 1/2"
12 Volts
B Dimension: 1 5/8"

Single wire coil
Male bullet plug



LS = Limited to stock on hand

BLISSFIELD (TECUMSEH), TCCI (YORK) COMPRESSOR CLUTCHES

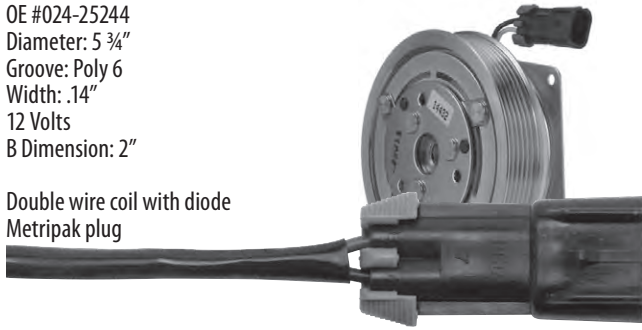
CLUTCHES

75R0502

RD-5-10363-0P

OE #024-25244
 Diameter: 5 3/4"
 Groove: Poly 6
 Width: .14"
 12 Volts
 B Dimension: 2"

Double wire coil with diode
 Metripak plug

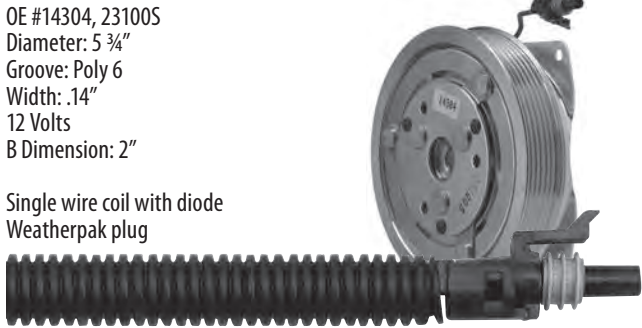


75R0512

RD-5-10364-0P

OE #14304, 23100S
 Diameter: 5 3/4"
 Groove: Poly 6
 Width: .14"
 12 Volts
 B Dimension: 2"

Single wire coil with diode
 Weatherpak plug

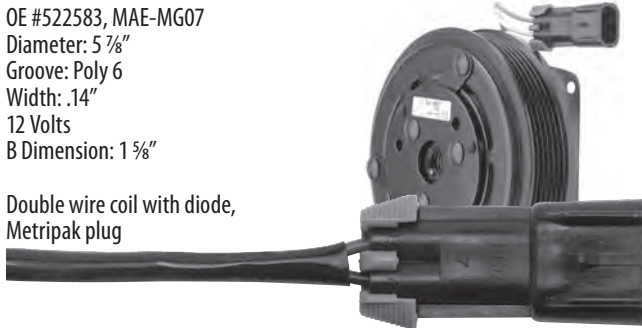


75R0522

RD-5-10366-0P

OE #522583, MAE-MG07
 Diameter: 5 7/8"
 Groove: Poly 6
 Width: .14"
 12 Volts
 B Dimension: 1 5/8"

Double wire coil with diode,
 Metripak plug

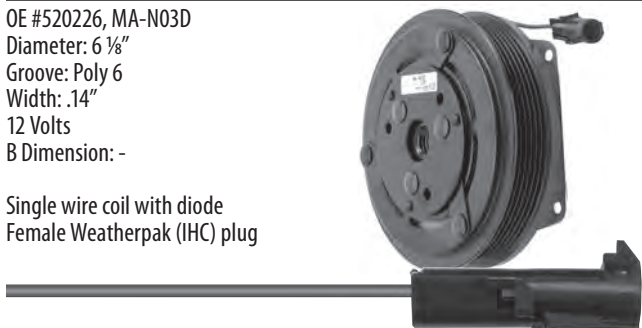


75R0612

RD-5-8009-0P

OE #520226, MA-N03D
 Diameter: 6 1/8"
 Groove: Poly 6
 Width: .14"
 12 Volts
 B Dimension: -

Single wire coil with diode
 Female Weatherpak (IHC) plug

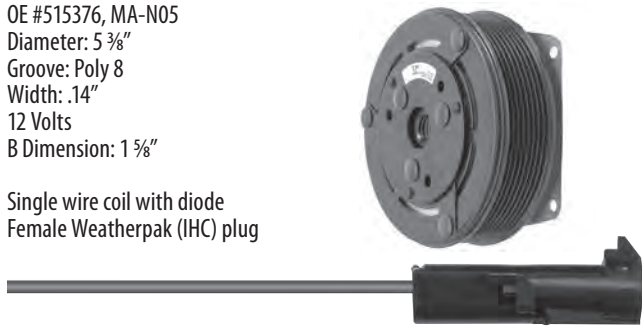


75R0662

RD-5-9802-0P

OE #515376, MA-N05
 Diameter: 5 3/8"
 Groove: Poly 8
 Width: .14"
 12 Volts
 B Dimension: 1 5/8"

Single wire coil with diode
 Female Weatherpak (IHC) plug

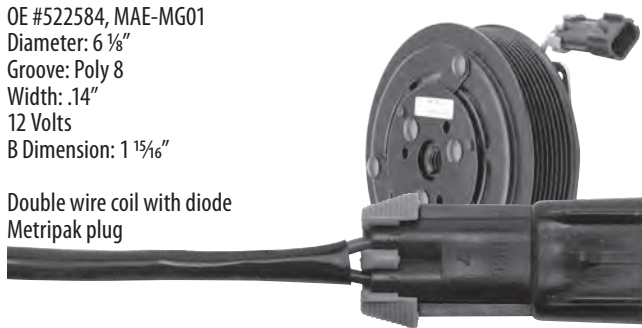


75R0682

RD-5-10365-0P

OE #522584, MAE-MG01
 Diameter: 6 1/8"
 Groove: Poly 8
 Width: .14"
 12 Volts
 B Dimension: 1 15/16"

Double wire coil with diode
 Metripak plug



75R1202

RD-5-4972-1P

OE #501939, MAE-6AR
 Diameter: 6"
 Groove: 2
 Width: 1/2"
 12 Volts
 B Dimension: 1 5/8"

Single wire coil with diode
 Weatherpak plug

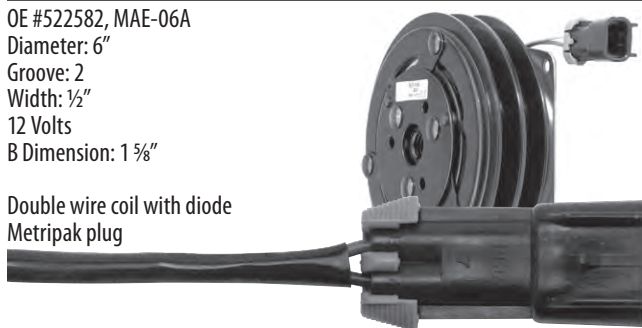


75R1302

RD-5-9456-0P

OE #522582, MAE-06A
 Diameter: 6"
 Groove: 2
 Width: 1/2"
 12 Volts
 B Dimension: 1 5/8"

Double wire coil with diode
 Metripak plug



BLISSFIELD (TECUMSEH), TCCI (YORK) COMPRESSOR CLUTCHES

75R1342

RD-5-10397-0P

OE #515528, MA-N06D, 2035274C1
 Diameter: 6 1/4"
 Groove: 1
 Width: 5/8"
 12 Volts
 B Dimension: 2 1/16"

Single wire coil
 Female Weatherpak (IHC) plug



75R4534

RD-5-8382-0P

OE #501075, MA-7A 2, MA-7A 24V
 Diameter: 7"
 Groove: 2
 Width: 1/2"
 24 Volts
 B Dimension: 2"

Single wire coil
 Male bullet plug



75R1652

RD-5-4975-0P

OE #L50-2731
 Diameter: 6 3/4"
 Groove: 1
 Width: 5/8"
 12 Volts
 B Dimension: 1 3/4"

Single wire coil
 Male bullet plug



75R4734

RD-5-9659-0P

OE #501076, MA-6A-2, MA6A-24V
 Diameter: 6"
 Groove: 2
 Width: 1/2"
 24 Volts
 B Dimension: 2 1/4"

Single wire coil
 Male bullet plug



75R4502

RD-5-4994-0P

OE #332334, MA-7A
 Diameter: 7"
 Groove: 2
 Width: 1/2"
 12 Volts
 B Dimension: 2"

Single wire coil
 Male bullet plug

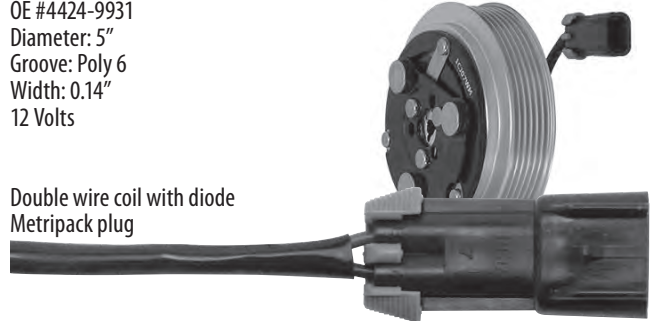


75R4812

RD-5-13784-0P

OE #4424-9931
 Diameter: 5"
 Groove: Poly 6
 Width: 0.14"
 12 Volts

Double wire coil with diode
 Metripack plug



CLUTCHES

Compressor Troubleshooting Guide

To Bench Test Compressor Suction and Discharge Pressures.

1. Grasp clutch hub and Rotate compressor by hand. At the same time plug discharge port only with thumb or palm of hand. The compressor should begin to build discharge pressure while rotating.

2. Plug suction port and repeat the above step to confirm presence of suction pressure.

Note: Absence of suction and/or discharge pressure.

Clutch Specifications

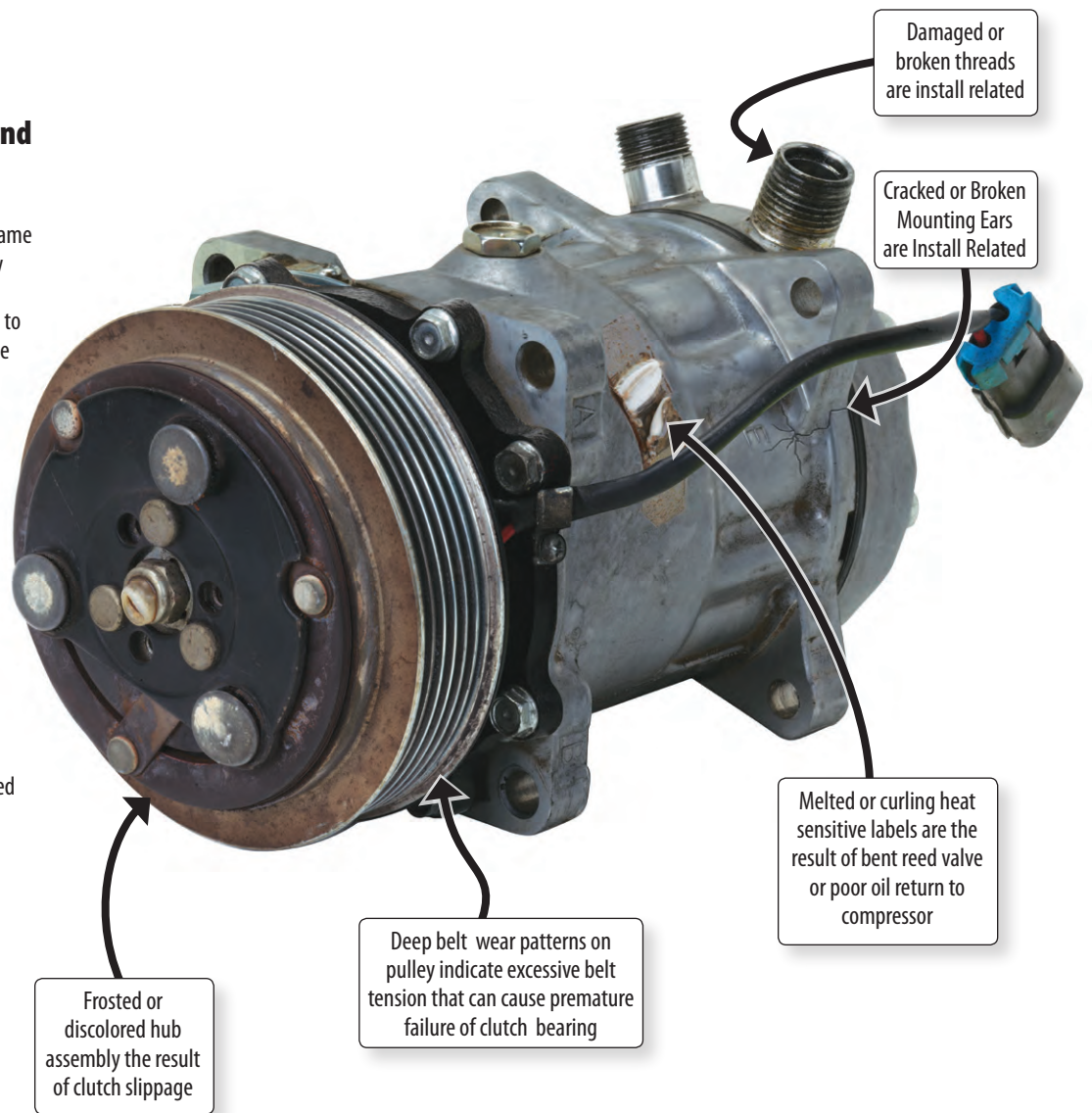
12 Volt clutch

Amperage draw 2.5 to 3 amps

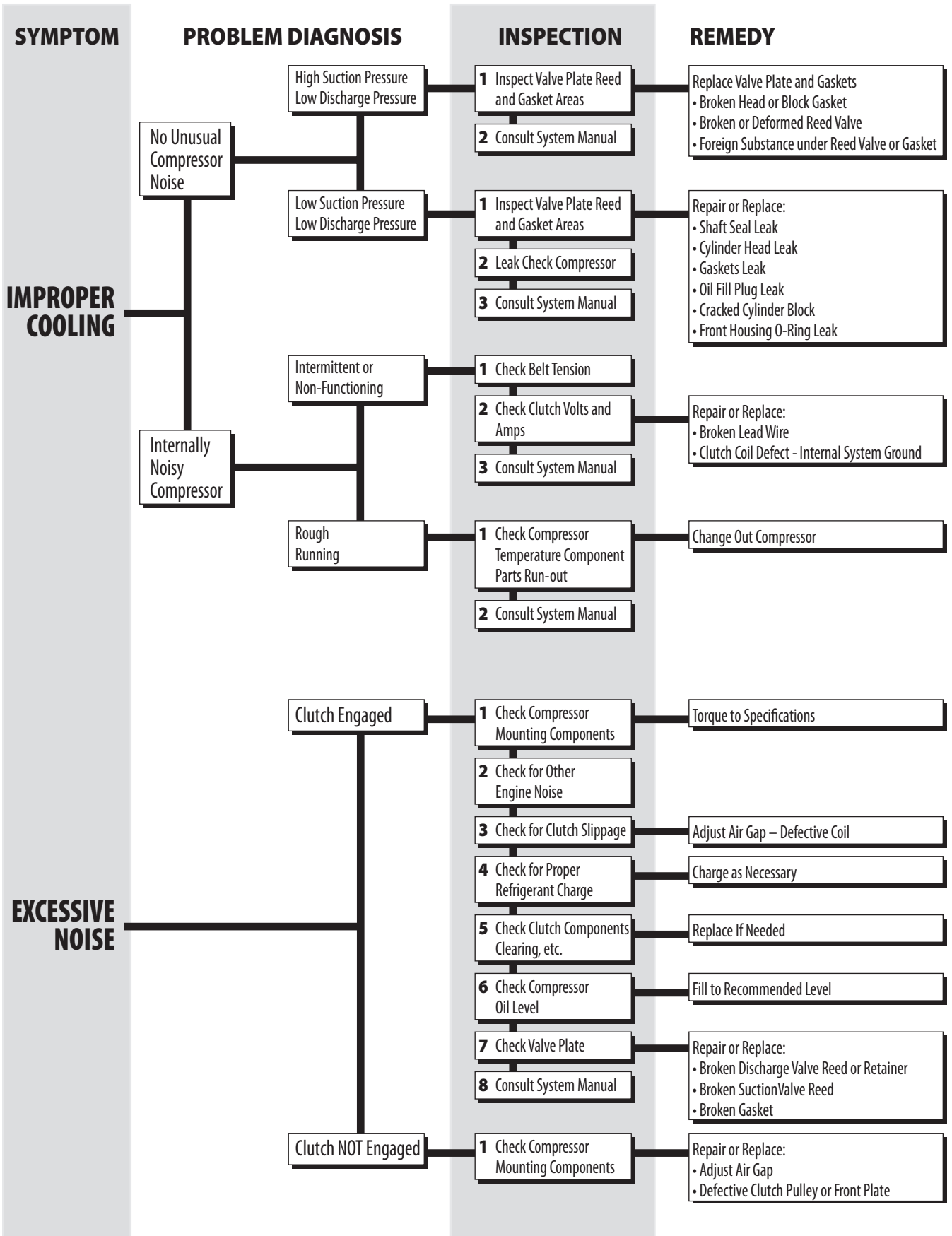
Pull - in voltage 6 - 7 VDC

Working voltage 10.5VDC

Note: less than 10.5 volts supplied to clutch coil during compressor operation will result in clutch slippage and eventual failure.



COMPRESSOR TROUBLESHOOTING GUIDE



CLUTCHES

COMPRESSOR TROUBLESHOOTING GUIDE

WHAT TO LOOK FOR & HOW IT LOOKS

In a properly maintained air conditioning system, defects in materials or workmanship will typically surface shortly after the system has been put into service. Refer to oil table shown below for oil color and system condition.

CLUTCHES

Things to check before accepting	Explanation
1 Mounting Ears	Fractured or broken compressor mount ears are install related, non-warrantable condition.
2 Heat Sensitive Labels	Overheat condition : Melted labels due to lack of oil return or bent reed valves due to liquid slugging, non-warrantable condition.
3 Compressor Rotation	Check compressor rotation for intermittent catches or seized condition.
4 Oil Level	Remove oil plug, there should be ½ to 1 ounce of oil left in compressor to perform oil inspection.
5 Oil Color and Condition	See oil color table shown below for compressor acceptance criteria.
6 Internal Center Ball Condition (Sander Only) view through drain plug hole	Normal: Should be chrome color with no signs of dis-coloration from heat or gauling. Discolored center ball is generally the result of poor oil return to the compressor.
7 Clutch Hub (non-seized compressor only)	Should be no signs of frosting or discoloration from clutch slippage. Clutch slippage is the result of insufficient voltage, poor compressor ground, liquid slugging or rapid cycling, all are non-warrantable conditions.
8 No Suction or Discharge Pressure	Caused by bent or broken reed valves; non-warrantable..
9 Clutch "V" groove area	Deep belt wear patterns indicate excessive belt tension that can cause premature failure of clutch bearing.
10 Clutch Bearing	Rotation should be smooth with no rough spots.
11 Clutch pulley	Check for run-out should rotate truly with no visible wobble.
12 Suction/Discharge Port	Damaged or broken threads are install related.

Return Status	Oil Color	System Condition
Warrantable	Clear	Normal
Warrantable	Clear Green	Leak detection dye is present in oil
Warrantable	Yellow	Moisture may be present in A/C system
Warrantable	Grey	Normal failure, wear material from failed component suspended in compressor oil.
Non-Warrantable Condition	Amber	System contaminated and acidic. Contains copper ions from coils in evaporator and condenser.
Non-Warrantable Condition	Black	System contaminated, oil has turned black due to presence of carbon sediment caused by severely acidic system.

WARRANTABLE



NON-WARRANTABLE



75R8102 RD-5-5000-0P

- GMC A6R, Generic
- Superheat switch port
- 5" Single Groove Clutch – 12 volt
- Pulley with 1/2" – 3/4" variable groove
- R-12/R134a – no oil
- Standard thread mounting holes
- Clockwise rotation



75R8184 RD-5-7566-0P

- GMC A6R, New
- Without Superheat switch port
- 7" Single Groove Clutch 24 volt
- Pulley with 1/2" – 3/4" variable groove
- R-12
- Shipped with 10 oz. mineral oil
- Metric thread mounting holes
- Clockwise rotation



COMPRESSOR

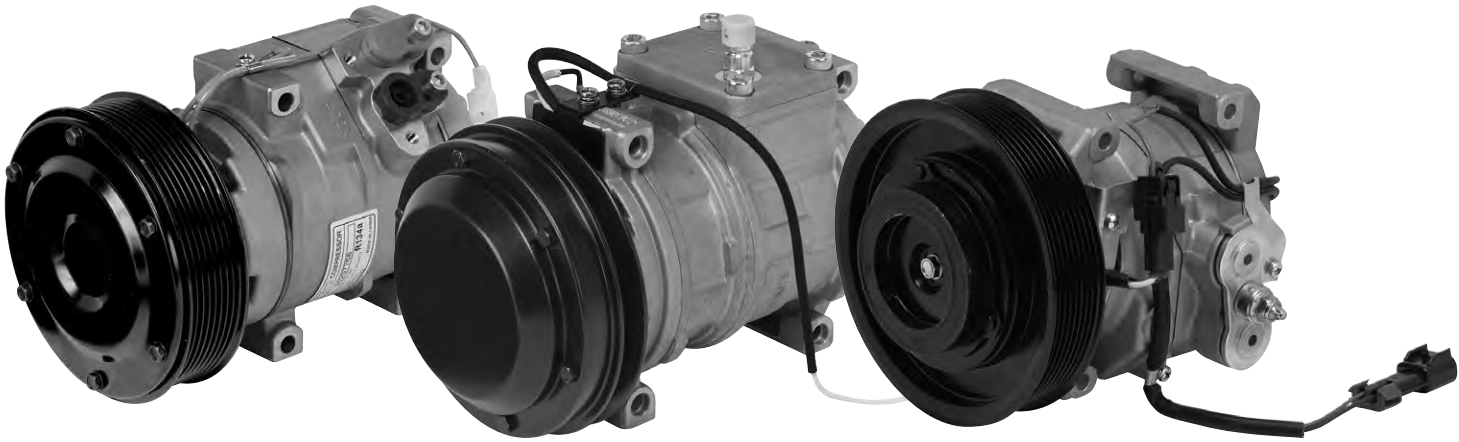
NOTE: Generic Compressors are OEM factory built but may contain noncritical reconditioned components

Complete your compressor installation. Replace the receiver drier as per manufacturer's recommendation. Check all O-Rings and hoses. And use Red Dot's easy O-Ring Assortment Kit

70R5020 RD-5-9987-0P



NIPPONDENSO AND EQUIVALENT COMPRESSORS



MANIFOLDS

Part Number	Factory No.	Model Description
75R8920	RD-5-11151-0P	Nippondenso Manifold - Top discharge with oil bypass, #8 and #10 Male Insert O-Ring fittings
75R8921	RD-5-11152-0P	Nippondenso Manifold - Rear discharge, #8 and #10 Male Insert O-Ring fittings

COMPRESSOR



OEM P/N	Part Number	Factory Number
Caterpillar		
178-5545	75R9044	RD-5-14070-0P
245-7779	75R9044	RD-5-14070-0P
259-7243	75R9044	RD-5-14070-0P
305-0324	75R9044	RD-5-14070-0P
305-0325	75R9044	RD-5-14070-0P
Freightliner		
22-65770-000	75R9072	RD-5-14644-0P
22-65771-000	75R9082	RD-5-14645-0P
22-65772-000	75R9092	RD-5-14646-0P
Hitachi Construction		
4361053	75R9004	RD-5-14066-0P
John Deere		
4333459	75R9004	RD-5-14066-0P
4431081	75R9034	RD-5-14069-0P
4436025	75R9034	RD-5-14069-0P
AT166518	75R9004	RD-5-14066-0P

OEM P/N	Part Number	Factory Number
John Deere		
AH169875	75R9052	RD-5-14079-0P
AT163728	75R9024	RD-5-14068-0P
AT168543	75R9014	RD-5-14067-0P
AT172975	75R9014	RD-5-14067-0P
AT226273	75R9014	RD-5-14067-0P
RE46609	75R9052	RD-5-14079-0P
RE46657	75R9062	RD-5-14080-0P
TY24304	75R9052	RD-5-14079-0P
TY6764	75R9052	RD-5-14079-0P
TY6783	75R9024	RD-5-14068-0P
Komatsu		
11Y-979-5450	75R9004	RD-5-14066-0P
134-X11-1250	75R9004	RD-5-14066-0P
14X-Z11-8580	75R9004	RD-5-14066-0P
17A-911-4810	75R9034	RD-5-14069-0P
195-911-7510	75R9004	RD-5-14066-0P

OEM P/N	Part Number	Factory Number
Komatsu		
195-911-8990	75R9004	RD-5-14066-0P
198-911-9580	75R9004	RD-5-14066-0P
20Y-810-1260	75R9034	RD-5-14069-0P
20Y-979-3110	75R9004	RD-5-14066-0P
20Y-979-3111	75R9004	RD-5-14066-0P
20Y-979-6121	75R9034	RD-5-14069-0P
20Y-979-8130	75R9004	RD-5-14066-0P
21N-979-1360	75R9004	RD-5-14066-0P
418-S62-3160	75R9034	RD-5-14069-0P
418-S62-3161	75R9034	RD-5-14069-0P
421-07-11210	75R9034	RD-5-14069-0P
421-07-31220	75R9034	RD-5-14069-0P
421-07-31221	75R9034	RD-5-14069-0P
425-07-21180	75R9004	RD-5-14066-0P
425-07-21190	75R9004	RD-5-14066-0P
42C-07-11210	75R9004	RD-5-14066-0P

NIPPONDENSO AND EQUIVALENT COMPRESSORS

Compressors are shown with shipping plate or rubber pad

75R9004 RD-5-14066-0P

Model: 10PA15C

Clutch: 152mm 1A Groove Clutch (fits 0.5" wide belt)

Voltage: 24



75R9044 RD-5-14070-0P

Model: 10S17C

Clutch: 140mm PV8 Clutch

Voltage: 24



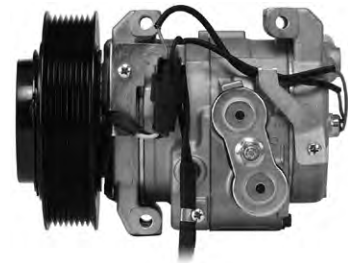
75R9072D RD-5-14644-1P

75R9072 RD-5-14644-0P

Model: 10S15C

Clutch: 140mm PV8 Clutch

Voltage: 12



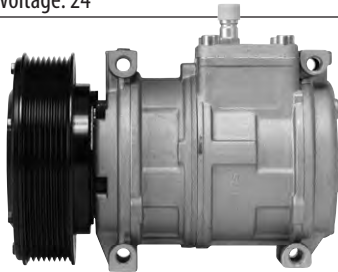
75R9014D RD-5-14067-1P

75R9014 RD-5-14067-0P

Model: 10PA17C

Clutch: 145mm PV8 Clutch

Voltage: 24



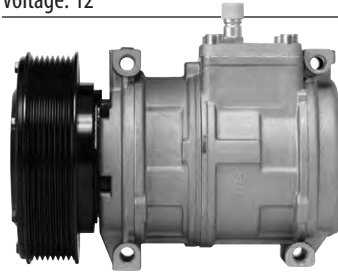
75R9052D RD-5-14079-1P

75R9052 RD-5-14079-0P

Model: 10PA17C

Clutch: 145mm PV8 Clutch

Voltage: 12



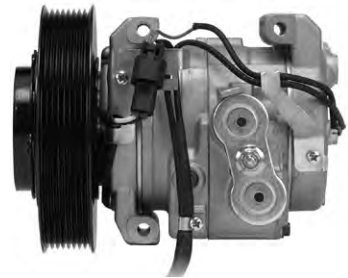
75R9082D RD-5-14645-1P

75R9082 RD-5-14645-0P

Model: 10S15C

Clutch: 164mm PV8 Clutch

Voltage: 12



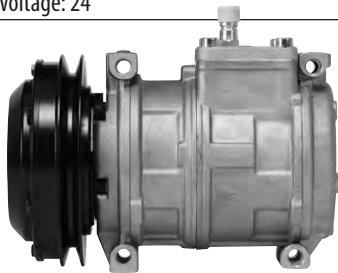
75R9024D RD-5-14068-1P

75R9024 RD-5-14068-0P

Model: 10PA17C

Clutch: 146mm 1A Groove Clutch (fits 0.5" wide belt)

Voltage: 24



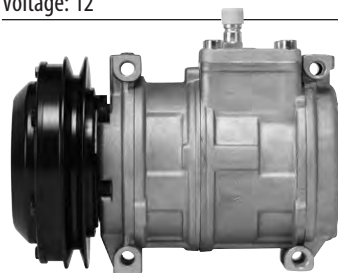
75R9062D RD-5-14080-1P

75R9062 RD-5-14080-0P

Model: 10PA15C

Clutch: 152mm 1A Groove Clutch (fits 0.5" wide belt)

Voltage: 12



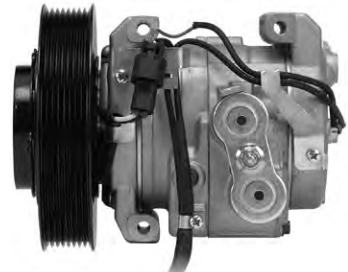
75R9092D RD-5-14646-1P

75R9092 RD-5-14646-0P

Model: 10S15C

Clutch: 140mm PV6 Clutch

Voltage: 12



75R9034 RD-5-14069-0P

Model: 10S15C

Clutch: 152mm 1B Groove Clutch (fits 0.66" wide belt)

Voltage: 24



COMPRESSOR

*Part numbers ending with a "D" represent Denso branded compressors.

QUE COMPRESSORS – Replacements for ICE / Seltec / Sanden Products

QP-15HD

Bore	1.42in (36mm)
Stroke	0.94in (24mm)
Number of Cylinders	6
Maximum Allowable Continuous R.P.M. (Normal Operating Conditions)	6000
Refrigerant	HFC-134a, CFC-12
Lubricant	ZXL100PG, 150 cc Freol DS-83P, 150 cc
Rotation	Clockwise and Counterclockwise

QP15HD Ear Mount

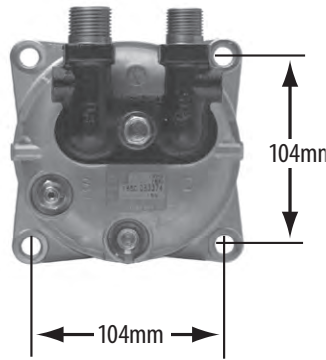
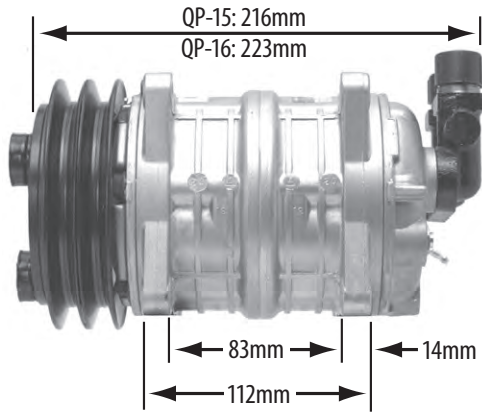
Displacement per Revolution	8.9cu.in (146cm ³)
Weight	9.7lbs (4.4kg)

QP15HD Direct Mount

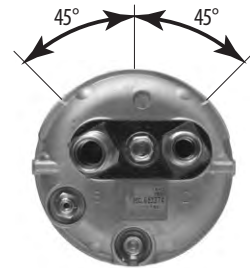
Displacement per Revolution	9.0cu.in (147cm ³)
Weight	9.9lbs (4.5kg)



COMPRESSOR



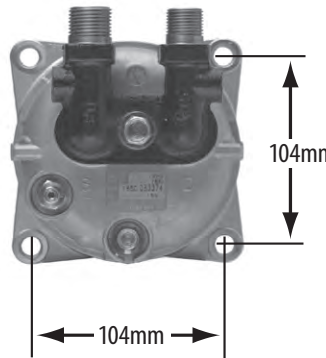
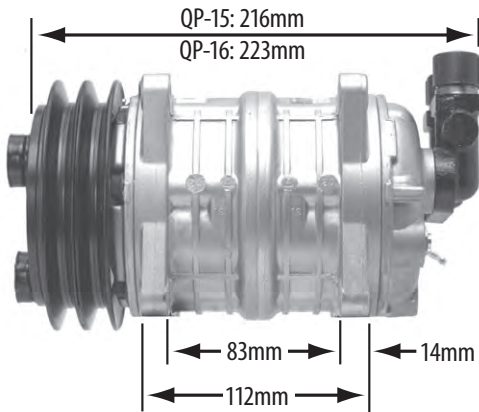
NOTE: Photos at left and above are shown with one of several options for clutches and rear adapter ports.



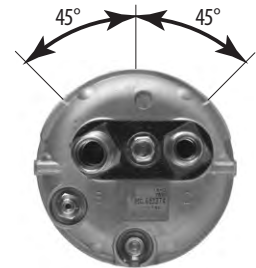
Mounting options up to 45° from vertical.

QP-16HD

Bore	1.42in (36mm)
Stroke	1.05in (26.7mm)
Displacement per Revolution	9.95cu.in (163cm ³)
Number of Cylinders	6
Maximum Allowable Continuous R.P.M. (Normal Operating Conditions)	6000
Refrigerant	HFC-134a, CFC-12
Lubricant	ZXL100PG, 150 cc Freol DS-83P, 150 cc
Weight	10.8lbs (4.9kg)
Rotation	Clockwise and Counterclockwise



NOTE: Photos at left and above are shown with one of several options for clutches and rear adapter ports.



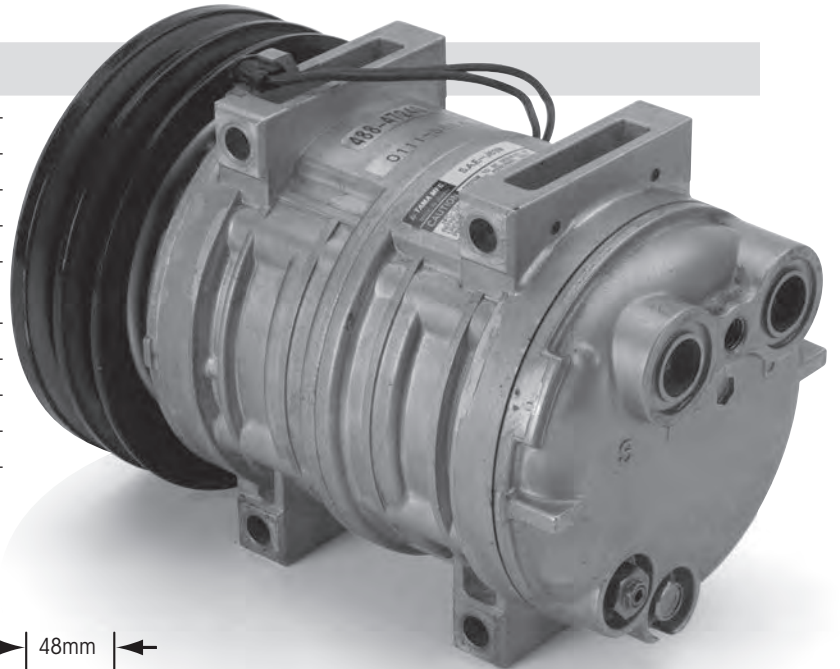
Mounting options up to 45° from vertical.

COMPRESSOR

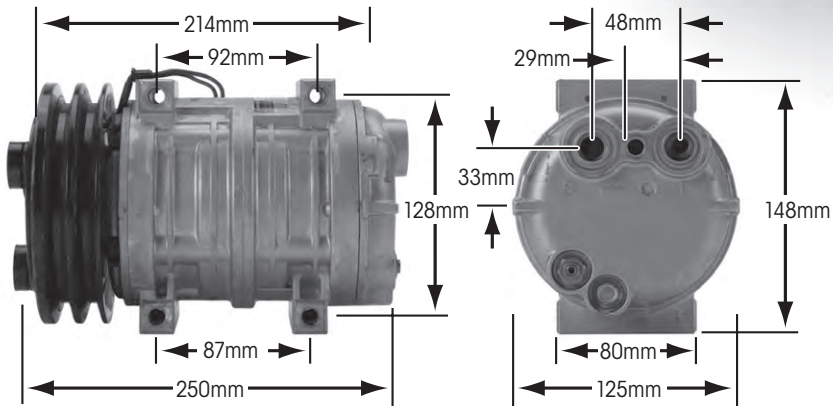
QUE COMPRESSORS – Replacements for ICE / Seltec / Sanden Products

QP-21HD

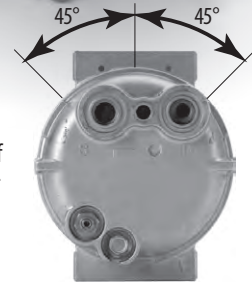
Bore	1.26in (32mm)
Stroke	1.05in (26.7mm)
Displacement per Revolution	13.1cu.in (214.7cm ³)
Number of Cylinders	10
Maximum Allowable Continuous R.P.M. (Normal Operating Conditions)	6000
Refrigerant	HFC-134a
Lubricant	(200cc) ZXL100PG
Weight	11.3lbs (5.1kg)
Rotation	Clockwise or Counterclockwise



COMPRESSOR



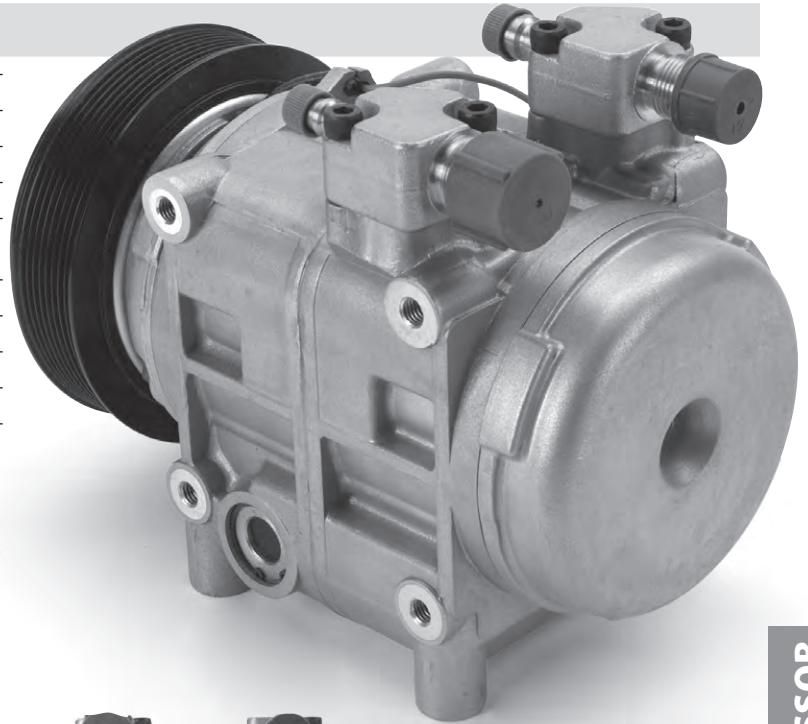
NOTE: Photos at left and above are shown with one of several options for clutches and rear adapter ports.



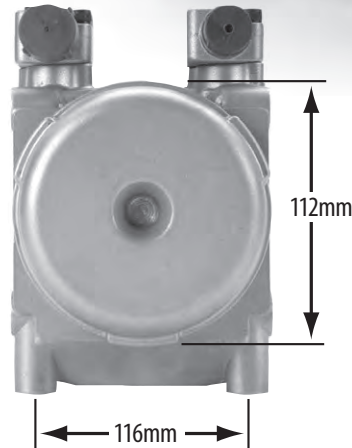
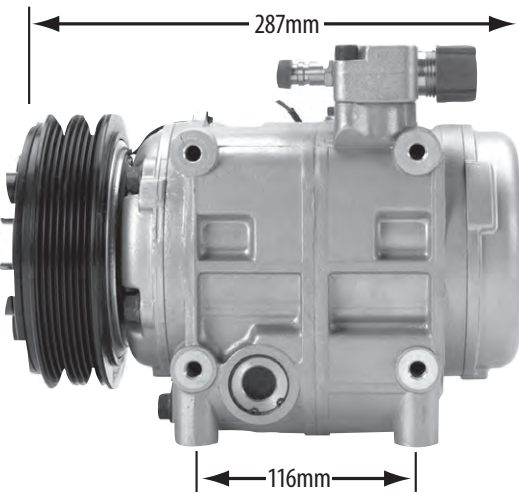
Mounting options up to 45° from vertical.

QP-31

Bore	1.42in (36mm)
Stroke	1.21in (30.7mm)
Displacement per Revolution	19.1cu.in (313cm ³)
Number of Cylinders	10
Maximum Allowable Continuous R.P.M. (Normal Operating Conditions)	6,000
Refrigerant	134a
Lubricant	PAG 16.9 oz.
Weight (includes clutch)	31.9 lbs (14.5kg)
Rotation	Clockwise



NOTE: Photo is shown with one of two options for clutches.



COMPRESSOR

QUE / ICE / SELTEC HEAD TYPE (Rear port adapters)

75R8505 RD-5-8010-0P

Head Type A
Horizontal Male O-Ring
3/4" X 1/8"



75R8520 RD-5-9156-0P

Head Type E
Vertical Male O-Ring
1" X 14



Reference Only

Head Type J
GM Pad
Pad Fitting



75R8507 RD-5-9611-0P

Head Type B
Vertical Female O-Ring
3/4" X 7/8"



Reference Only

Head Type F
Vertical O-Ring, R-12 Compressors
3/4" X 7/8"



Reference Only

Head Type L
Horizontal Pad
Volvo



75R8510 RD-5-9154-0P

Head Type C
Horizontal Male O-Ring
1" X 14



Reference Only

Head Type G
Vertical O-Ring, Top Outlet – TM31 Series
1 1/8" X 1 7/8"



Reference Only

Head Type Z
Horizontal Pad
3/4" X 7/8"



75R8515 RD-5-9155-0P

Head Type D
Vertical Male O-Ring
3/4" X 7/8"



Reference Only

Head Type H
Lateral Pad
Pad Fitting



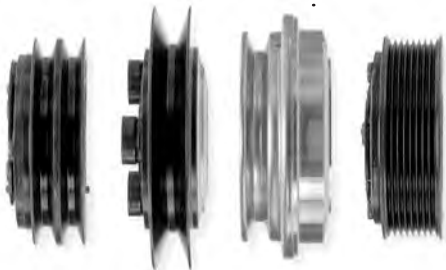
COMPRESSOR

QUE COMPRESSORS – Replacements for ICE / Seltec / Sanden Products

COMPRESSOR

COMPRESSOR

Red Dot Part No.	Factory Part No.	Sanden Part No.	ICE Part No.	Seltec Part No.	Voltage	Model Type	Mount Type	Head Type †	Head Fitting Position	Head Fitting Size
75R81184Q	RD-5-12569-0P	4604			24V	QP7H15	Ear	GK	Horizontal Pad	Pad
75R81292Q	RD-5-11250-1P	4618		QP7H15-4618	12V		Direct	H	Horizontal Pad	¾ x 7/8
75R81302Q	RD-5-11251-1P	4417,4818,4485			12V	QP7H15	Direct	GH	Horizontal Pad	¾ x 7/8
75R81372Q	RD-5-11257-1P	4891			12V	QP7H15	Direct	WV	Horizontal Pad	¾ x 7/8
75R81472Q	RD-5-11316-1P	4713			12V	QP7H15	Ear	JDA	Horizontal Pad	¾ x 7/8
75R81622Q	RD-5-12330-1P	4883			12V	QP7H15	Direct	JD	Vertical O-Ring	¾ x 7/8
75R81632Q	RD-5-12332-1P	4425,4040,4792,1027U3			12V	QP7H15	Direct	GQ	Lateral Pad	¾ x 7/8
75R81642Q	RD-5-12535-0P	4705	2521496		12V	QP16HD	Ear	GQ	Lateral Pad	¾ x 7/8
75R81652Q	RD-5-11343-1P	4893			12V	QP7H15	Ear	WV	Horizontal Pad	¾ x 7/8
75R81662Q	RD-5-12334-1P	4042,4368,4432,4759,1027K8			12V	QP7H15	Direct	GQ	Lateral Pad	Pad
75R82312Q	RD-5-13062-1P	4417S		QP7H15-4417S	12V	QP7H15S	Direct	GH	Horizontal Pad	¾ x 7/8
75R8354Q	RD-5-8680-1P	4537			24V	QP5H14	Ear	K	Horizontal O-Ring	¾ x 7/8
75R8374Q	RD-5-7091-1P	4745			24V	QP5H14	Ear	FL	Vertical O-Ring	¾ x 7/8
75R8382Q	RD-5-7088-1P	4510			12v	QP5H14	Ear	FL	Vertical O-Ring	¾ x 7/8
75R84302Q	RD-5-13235-0P	4815			12V	QP7H15	Direct	GWA	Horizontal Pad	¾ x 7/8
75R84612Q	RD-5-10297-1P	4644			12V	QP7H15	Ear	SNA	Vertical O-Ring	¾ x 7/8
75R8502Q	RD-5-5875-1P		2521129	488-25063	12V	QP15HD	Ear	F	Vertical O-Ring	¾ x 7/8
75R85032Q	RD-5-9609-9P		2521168	488-45075	12V	QP15HD	Ear	C	Horizontal O-Ring	1" - 14
75R85102Q	RD-5-12899-0P				12V	QP16HD	Direct	L	Horizontal O-Ring	¾ x 7/8
75R85112Q	RD-5-12901-0P				12V	QP16HD	Direct	A	Horizontal O-Ring	¾ x 7/8
75R8512Q	RD-5-5876-1P		2521121	488-25011	12V	QP15HD	Ear	F	Vertical O-Ring	¾ x 7/8
75R85132Q	RD-5-12900-0P				12V	QP16HD	Direct	D	Vertical O-Ring	¾ x 7/8
75R8522Q	RD-5-7023-1P		2521132	488-25077	12V	QP15HD	Ear	F	Vertical O-Ring	¾ x 7/8
75R8532Q	RD-5-8944-1P		2521166	488-45063	12V	QP15HD	Ear	D	Vertical O-Ring	¾ x 7/8
75R85332Q	RD-5-10319-1P		2521329	488-45094	12V	QP15HD	Ear	E	Vertical O-Ring	1" - 14
75R8542Q	RD-5-9028-1P		2521158	488-45030	12V	QP15HD	Ear	A	Horizontal O-Ring	¾ x 7/8
75R8544Q	RD-5-9059-1P		2521154	488-45017	24V	QP15HD	Ear	A	Horizontal O-Ring	¾ x 7/8
75R8552Q	RD-5-9609-10P		2521301	488-45077	12V	QP15HD	Ear	D	Vertical O-Ring	¾ x 7/8
75R85632Q	RD-5-10321-1P		2521316	488-45023	12V	QP15HD	Ear	E	Vertical O-Ring	1" - 14



CLUTCH VARIATIONS

Left to Right:

TWO "A" SECTION — Fits ½" Wide Belt

ONE VARIABLE GROOVE — Fits ½", 5/8" & ¾" Wide Belt

ONE "A" SECTION OVERHANG — Fits ½" Wide Belt

POLY V GROOVE

† Head Type = see photo reference on following pages

* R-12 Compressor

Replacements for ICE / Seltec / Sanden Products – **QUE COMPRESSORS**

CLUTCH							
Cubic Inches	Clutch Type	Gauge Line	Connector Type	Number of wires	Clutch Shaft Type	Red Dot Clutch Part No.	Factory Clutch Part No.
9.5	6" (152mm) A1 Groove	1 5/16" (40mm)	Metripak	2	Spline		
9.5	4 1/4" (119mm) Poly 7		Metripak	2			
9.5	4 3/4" (119mm) Poly 8	2" (49mm)	Metripak	2	Spline		
9.5	4.9" (125mm) Poly 6	1 7/8" (47mm)	Metripak	2	Spline		
9.5	5" (125mm) 2 Groove	1 5/16" (40mm)	Weatherpak	1	Spline		
9.5	4.9" (125mm) Poly 6	2 13/16" (46mm)	Metripak	2	Spline		
9.5	4.9" (125mm) Poly 6	2 13/16" (46mm)	Weatherpak	2	Spline		
9.5	4 3/4" (123mm) Poly 8	1 11/32" (34mm)	Metripak	2	Spline	75R0062	RD-5-10727-0P
9.5	5 1/4" (132mm) 2 Groove	1 5/16" (40mm)	Metripak	2	Spline		
9.5	4.7" (119mm) Poly 8	1 57/64" (48mm)	Metripak	2	Key		
9.95	4.7" (119mm) Poly 8		Metripak	2			
8.4	5 1/4" (132mm) 2 Groove	1 5/16" (40mm)	Bullet	1	Spline		
8.4	6 1/4" (159mm) Variable Groove	1 5/16" (40mm)	Bullet	1	Spline		
8.4	5 1/4" (132mm) 2 Groove	1 5/16" (40mm)	Bullet	1	Spline		
9.5	4.9" (125mm) Poly 6	2 13/16" (46mm)	Metripak	2	Spline		
9.5	5 1/4" (132mm) 2 Groove	1 5/16" (40mm)	Metripak	2	Spline		
8.9	5" (125mm) 1 Groove Overhang	2 7/16" (62mm)	Bullet	1	Spline	75R0182	RD-5-6646-0P
8.9	5" (125mm) 2 Groove	1 5/16" (40mm)	Bullet	1	Spline	75R0262	RD-5-10723-0P
13.1	4 3/4" (119mm) Poly 8	2 (49mm)	Bullet	1	Spline		
13.1	4 3/4" (119mm) Poly 8	2 (49mm)	Bullet	1	Spline		
8.9	5 1/4" (135mm) 2 Groove	1 5/16" (40mm)	Bullet	1	Spline		
9.5	5 1/4" (135mm) 2 Groove	2 1/8" (54mm)	Bullet	1	Spline		
8.9	5 1/4" (135mm) 2 Groove	-	Weatherpak	1	Spline		
8.9	5" (125mm) 1 Groove Overhang	2 7/16" (62mm)	Bullet	1	Spline	75R0182	RD-5-6646-0P
8.9	6 1/4" (159mm) Variable Groove	1 7/8" (47mm)	Bullet	1	Spline	75R1412	RD-5-9249-0P
8.9	5 1/4" (135mm) 2 Groove	1 5/16" (40mm)	Bullet	1	Spline		
8.9	5 1/4" (135mm) 2 Groove	1 5/16" (40mm)	Bullet	1	Spline	75R0274	RD-5-10232-0P
8.9	5 1/4" (135mm) 2 Groove	-	Weatherpak	1	Spline		
8.9	5 1/4" (135mm) 2 Groove	1 5/16" (40mm)	Bullet	1	Spline		

COMPRESSOR

Complete your compressor installation. Replace the receiver drier as per manufacturer's recommendation. Check all O-Rings and hoses. And use Red Dot's easy O-Ring Assortment Kit

70R5020

RD-5-9987-0P



QUE COMPRESSORS – Replacements for ICE / Seltec / Sanden Products

COMPRESSOR

COMPRESSOR

Red Dot Part No.	Factory Part No.	Sanden Part No.	ICE Part No.	Seltec Part No.	Voltage	Model Type	Mount Type	Head Type †	Head Fitting Position	Head Fitting Size
75R85714Q	RD-5-10323-1P		2521279		24V	QP15HD	Ear	C	Horizontal O-Ring	¾ x 7/8
75R85732Q	RD-5-10428-1P		2521324	488-45069	12V	QP15HD	Ear	D	Vertical O-Ring	¾ x 7/8
75R85734Q	RD-5-10322-1P		2521165	488-45061	24V	QP15HD	Ear	D	Vertical O-Ring	¾ x 7/8
75R85832Q	RD-5-10324-1P		2521323	488-45068	12V	QP15HD	Ear	A	Horizontal O-Ring	¾ x 7/8
75R85932Q	RD-5-10325-1P		2521156	488-45019	12V	QP15HD	Ear	D	Vertical O-Ring	¾ x 7/8
75R86092Q	RD-5-10431-1P		2521330	488-45097	12V	QP15HD	Ear	C	Horizontal O-Ring	1" - 14
75R8612Q	RD-5-7145-1P		2521152	488-45011	12V	QP15HD	Ear	D	Vertical O-Ring	¾ x 7/8
75R86132Q	RD-5-10429-1P		2521266	488-45122	12V	QP15HD	Ear	A	Horizontal O-Ring	¾ x 7/8
75R86134Q	RD-5-10326-1P		2521268	488-45081	24V	QP15HD	Direct	A	Horizontal O-Ring	¾ x 7/8
75R86142Q	RD-5-12530-1P		2521562	488-47244	12V	QP21HD	Direct	J	GM	Pad Fitting
75R86144Q	RD-5-11866-2P		2521563	488-47246	24V	QP21HD	Direct	J	GM	Pad Fitting
75R8614Q	RD-5-7163-2P		2521153	488-45015	24V	QP15HD	Ear	D	Vertical O-Ring	¾ x 7/8
75R861522Q	RD-5-12902-0P				12V	QP21	Direct	J	GM	Pad Fitting
75R86152Q	RD-5-10327-1P		2521280	488-45082	12V	QP15HD	Direct/ Tangential	D	Vertical O-Ring	¾ x 7/8
75R86162Q	RD-5-10328-1P		2521281	488-45084	12V	QP15HD	Direct	A	Horizontal O-Ring	¾ x 7/8
75R86172Q	RD-5-10329-1P		2521170	488-45088	12V	QP15HD	Direct/ Tangential	D	Vertical O-Ring	¾ x 7/8
75R86182Q	RD-5-10426-1P		2521282	488-45092	12V	QP15HD	Direct	D	Vertical O-Ring	¾ x 7/8
75R86194Q	RD-5-10427-2P		2521294	488-45090	24V	QP15HD	Direct	D	Vertical O-Ring	¾ x 7/8
75R86202Q	RD-5-11521-1P		2521186	488-46030	12V	QP16HD	Ear	A	Horizontal O-Ring	¾ x 7/8
75R86212Q	RD-5-11520-1P		2521350	488-46075	12V	QP16HD	Ear	C	Horizontal O-Ring	1" - 14
75R86222Q	RD-5-11523-1P		2521596	488-46059	12V	QP16HD	Ear	A	Horizontal O-Ring	¾ x 7/8
75R86232Q	RD-5-13041-0P				12V	QP16HD	Ear	A	Horizontal O-Ring	¾ x 7/8
75R86322Q	RD-5-12904-0P				12V	QP21	Direct	J	GM	Pad Fitting
75R86324Q	RD-5-12903-0P				24V	QP21	Direct	J	GM	Pad Fitting
75R8632Q	RD-5-7164-1P		2521167	488-45065	12V	QP15HD	Ear	D	Vertical O-Ring	¾ x 7/8
75R86332Q	RD-5-13153-0P				12V	QP21	Direct	J	GM	Pad Fitting
75R8634Q	RD-5-7165-1P		2521192	488-46061	24V	QP16HD	Ear	D	Vertical O-Ring	¾ x 7/8
75R8644Q	RD-5-8884-1P		2521194	488-46073	24V	QP16HD	Ear	A	Horizontal O-Ring	¾ x 7/8
75R8672Q	RD-5-12529-0P		2521209	488-46500	12V	QP31HD	Direct/ Tangential	G	Top Outlet	1 1/16 x 7/8
75R8682Q	RD-5-12528-0P		2521213	488-46540	12V	QP31HD	Direct/ Tangential	G	Top Outlet	1 1/16 x 7/8



CLUTCH VARIATIONS

Left to Right:

TWO "A" SECTION — Fits ½" Wide Belt

ONE VARIABLE GROOVE — Fits ½", 5/8" & ¾" Wide Belt

ONE "A" SECTION OVERHANG — Fits ½" Wide Belt

POLY V GROOVE

† Head Type = see photo reference on following pages

* R-12 Compressor

Replacements for ICE / Seltec / Sanden Products – **QUE COMPRESSORS**

CLUTCH								
Cubic Inches	Clutch Type	Gauge Line	Connector Type	Number of wires	Clutch Shaft Type	Red Dot Clutch Part No.	Factory Clutch Part No.	
8.9	6 ¼" (159mm) Variable Groove	1 ⅞" (47mm)	Bullet	1	Spline	75R1414	RD-5-9250-0P	
8.9	5 ¼" (135mm) 2 Groove	-	Bullet	1	Spline	75R0252	RD-5-10722-0P	
8.9	6 ¼" (159mm) Variable Groove	1 ⅞" (40mm)	Bullet	1	Spline	75R1414	RD-5-9250-0P	
8.9	4 ¾" (123mm) Poly 6	1 ½" (34mm)	Bullet	1	Spline	75R0072	RD-5-10526-0P	
8.9	4 ¾" (123mm) Poly 6	1 ½" (34mm)	Bullet	1	Spline	75R0072	RD-5-10526-0P	
8.9	4 ¾" (123mm) Poly 6	1 ½" (34mm)	Bullet	1	Spline	75R0072	RD-5-10526-0P	
8.9	5 ¼" (135mm) 2 Groove	1 ⅞" (40mm)	Bullet	1	Spline			
8.9	4 ¾" (123mm) Poly 8	1 ½" (34mm)	Bullet	1	Spline	75R0082	RD-5-10544-0P	
9	6 ¼" (159mm) Variable Groove	1 ⅞" (47mm)	Bullet	1	Spline	75R1414	RD-5-9250-0P	
13.1	5 ½" (141mm) Poly 8	2" (51mm)	Bullet	2	Spline			
13.1	5 ½" (141mm) Poly 8	2" (51mm)	Bullet	2	Spline			
8.9	5 ¼" (135mm) 2 Groove	1 ⅞" (40mm)	Bullet	1	Spline	75R0274	RD-5-10232-0P	
13.1	5 ¾" (145 mm) 2GR	2 ⅛" (54mm)	Bullet	2	Spline			
9	4 ¾" (123mm) Poly 8	1 ½" (34mm)	Bullet	1	Spline	75R0082	RD-5-10544-0P	
9	4 ¾" (123mm) Poly 8	1 ½" (34mm)	Bullet	1	Spline	75R0082	RD-5-10544-0P	
9	4 ¾" (123mm) Poly 6	2 ⅞" (62mm)	Bullet	1	Spline	75R0092	RD-5-10545-0P	
9	5 ¼" (135mm) 2 Groove	1 ⅞" (40mm)	Bullet	1	Spline			
9	5 ¼" (135mm) 2 Groove	1 ⅞" (40mm)	Bullet	1	Spline	75R0274	RD-5-10232-0P	
9.95	5 ¼" (135mm) 2 Groove	1 ⅞" (40mm)	Bullet	1				
9.95	5" (125mm) 2 Groove	1 ⅞" (40mm)	Bullet	1	Spline	75R1212	RD-5-10724-0P	
9.95	5 ¼" (135mm) 2 Groove	-	Weatherpak	1	Spline			
9.95	5 ¼" (135mm) 2 Groove	1 ⅞" (40mm)	Bullet	1	Spline			
13.1	5 (127mm) Poly 8	2 (49mm)	Bullet	2	Spline			
13.1	5 ¾" (145 mm) 2GR	2 ⅛" (54mm)	Bullet	2	Spline			
8.9	6 ¼" (159mm) Variable Groove	1 ⅞" (40mm)	Bullet	1	Spline	75R1412	RD-5-9249-0P	
13.1	5" (125mm) 6 Groove	2 ⅞" (46mm)	Weatherpak	1	Spline			
9.95	6 ¼" (159mm) Variable Groove	1 ⅞" (40mm)	Bullet	1	Spline	75R1414	RD-5-9250-0P	
9.95	6 ¼" (159mm) Variable Groove	1 ⅞" (40mm)	Bullet	1	Spline	75R1414	RD-5-9250-0P	
19.1	6" (152 mm) 2 Groove	3" (78mm)	Bullet	1	Spline	75R4782	RD-5-10301-0P	
19.1	6" (152 mm) Poly 8	2 ⅞" (67mm)	Bullet	1	Spline	75R4792	RD-5-10302-0P	

COMPRESSOR

Complete your compressor installation. Replace the receiver drier as per manufacturer's recommendation. Check all O-Rings and hoses. And use Red Dot's easy O-Ring Assortment Kit

70R5020

RD-5-9987-0P



QUE COMPRESSORS – Replacements for ICE / Seltec / Sanden Products

COMPRESSOR

COMPRESSOR										
Red Dot Part No.	Factory Part No.	Sanden Part No.	ICE Part No.	Seltec Part No.	Voltage	Model Type	Mount Type	Head Type †	Head Fitting Position	Head Fitting Size
75R8694Q	RD-5-12528-0P				12V	QP31HD	Direct/Tangential	G	Top Outlet	1 1/16 x 7/8
75R8702Q	RD-5-10728-1P		2521171	488-45120	12V	QP15HD	Ear	D	Vertical O-Ring	3/4 x 7/8
75R8704Q	RD-5-12525-0P				24V	QP31HD	Direct/Tangential	G	Top Outlet	1 1/16 x 7/8
75R8712Q	RD-5-9609-11P		2521180	488-46011	12V	QP16HD	Ear	D	Vertical O-Ring	3/4 x 7/8
75R8722Q	RD-5-10492-1P	4717	2521475		12V	QP16HD	Ear	WV	Horizontal Pad	3/4 x 7/8
75R8772Q	RD-5-12568-0P	4401, 4426, 4696			12V	QP7H15	Ear	GQ	Lateral Pad	Pad
75R8782Q	RD-5-12906-0P				12V	QP31HD	Direct/Tangential	G	Top Outlet	1 1/16 x 7/8
75R8784Q	RD-5-12907-0P				24V	QP31HD	Direct/Tangential	G	Top Outlet	1 1/16 x 7/8
75R8802Q	RD-5-11318-1P		2521581		12V	QP16HD	Ear	E	Vertical O-Ring	1" - 14
75R8812Q	RD-5-13655-0P				12V	QP31HD	Direct/Tangential	G	Top Outlet	1 1/16 x 7/8
75R8814Q	RD-5-12630-0P				24V	QP31HD	Direct/Tangential	G	Top Outlet	1 1/16 x 7/8
75R8822Q	RD-5-12564-0P				12V	QP16HD	Ear	E	Vertical O-Ring	1" - 14
75R89492Q	RD-5-12550-1P	4377			12V	QP7H15S	Direct	GQ	Lateral Pad	Pad
75R89502Q	RD-5-13207-1P	4368			12V	QP7H15S	Direct	GQ	Lateral Pad	Pad
75R89522Q	RD-5-13209-1P	4376			12V	QP7H15S	Direct	GSA	Lateral Pad	3/4 x 7/8
75R89532Q	RD-5-13210-1P	4370			12V	QP7H15S	Direct	GQ	Lateral Pad	Pad
75R89582Q	RD-5-13215-1P	1027T6			12V	QP7H15	Direct	GH	Horizontal Pad	3/4 x 7/8
75R89592Q	RD-5-15533-0P				12	QP21HD	Direct	J	Horizontal Pad	Pad Fitting
75R89602Q	RD-5-13226-1P	4383			12V	QP7H15S	Ear	GQ	Lateral Pad	Pad
75R89624Q	RD-5-14643-0P			QP16-1661	24V		Direct	D	Vertical O-Ring	3/4 x 7/8
75R89632Q	RD-5-15310-0P	4761		QP7H15-4761	12V	QP7H15				
75R89834Q	RD-5-15720-0P				24V	QP16-1665	Direct	A	Horizontal O-Ring	3/4 x 7/8
75R89840Q	RD-5-15721-1P					QP16-1000	Ear		Horizontal Pad	3/4 x 7/8
75R89802Q	RD-5-15309-0P	4421			12V	QP7H15	Direct	MJ	Horizontal O-Ring	1 x 14
75R89812Q	RD-5-14691-0P	4286			12V	QP7H15	Direct	WV	Horizontal Tab	3/4 x 7/8
75R9132Q	RD-5-15735-1P	1866			12V	QP7H-15SHD	Direct	PK	Lateral Pad	Pad



CLUTCH VARIATIONS

Left to Right:

TWO "A" SECTION — Fits 1/2" Wide Belt

ONE VARIABLE GROOVE — Fits 1/2", 5/8" & 3/4" Wide Belt

ONE "A" SECTION OVERHANG — Fits 1/2" Wide Belt

POLY V GROOVE

† Head Type = see photo reference on following pages

* R-12 Compressor

Replacements for ICE / Seltec / Sanden Products – **QUE COMPRESSORS**

CLUTCH							
Cubic Inches	Clutch Type	Gauge Line	Connector Type	Number of wires	Clutch Shaft Type	Red Dot Clutch Part No.	Factory Clutch Part No.
19.1	6" (152 mm) Poly 8	3" (78mm)	Bullet	1	Spline		
8.9	4 3/4" (123mm) Poly 8	1 1/32" (34mm)	Bullet	1	Spline	75R0082	RD-5-10544-0P
19.1	6" (152 mm) Poly 8	2 5/8" (67mm)	Bullet	2	Spline		
9.95	5 1/4" (135mm) 2 Groove	1 1/16" (40mm)	Bullet	1	Spline		
9.5	5" (125mm) 2 Groove	1 1/16" (40mm)	Metripak	2	Spline	75R1212	RD-5-10724-0P
9.5	4.9" (125mm) A2 Groove	.94" (24mm)	Metripak	2	Key		
19.1	6 1/4 (158mm) 2 Groove	3 (75mm)	Bullet	1	Spline		
19.1	6 1/4 (158mm) 2 Groove	3 (75mm)	Bullet	1	Spline		
9.95	4 3/4" (123mm) Poly 8	1 11/32" (34mm)	Weatherpak	1	Spline		
19.1	6" (152 mm) Poly 8	2 5/8" (67mm)	Weatherpak	1	Spline		
19.1	6" (152mm) Poly 10	2 23/32 (69mm)	Weatherpak	1	Spline		
9.95	4 3/4" (123mm) Poly 8	1 11/32" (34mm)	Bullet	1	Spline		
9.5	4.9" (125mm) Poly 6	1 4/5" (46mm)	Metripak	2	Key		
9.5	4 3/4" (119mm) Poly 8	2" (49mm)	Metripak	2	Key		
9.5	5" (126mm) Poly 6	1 4/5" (46mm)	Metripak	2	Key		
9.5	5" (126mm) Poly 12	2 1/2" (56mm)	Metripak	2	Key		
9.5	4.9" (125mm) Poly 6	1 3/4" (45mm)	Metripak	2	Spline		
13.1	5" (127mm) Poly 10		Bullet	2	Spline		
9.5	4.9" (125mm) A2 Groove	0.94" (24mm)	Metripak	2	Key		
9.95	4 3/4 (119mm) Poly 8	2" (49mm)	Bullet	1	Spline		
	4.9" (125mm) Poly 6	2 1/8"	Metripak	2			
9.95	4.7" (119mm) Poly 8	49mm	Bullet	1			
9.95	No Clutch						
9.95	4.7" (119mm) Poly 8		Metripak	2			
9.95	5 1/4" (132mm) Poly 8		Metripak	2			
9.5	4.9" (125mm) Poly 6	55mm	Weatherpak	1			

COMPRESSOR

Complete your compressor installation. Replace the receiver drier as per manufacturer's recommendation. Check all O-Rings and hoses. And use Red Dot's easy O-Ring Assortment Kit

70R5020

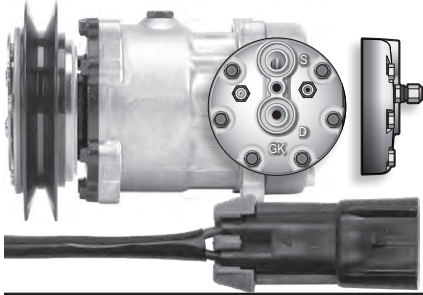
RD-5-9987-0P



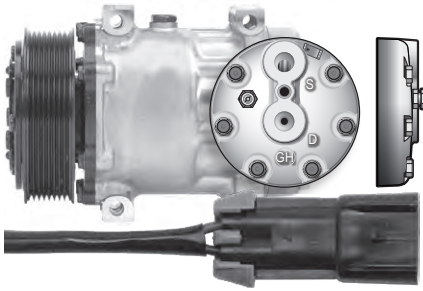
QUE COMPRESSORS – Replacements for ICE / Seltec / Sanden Products

COMPRESSOR

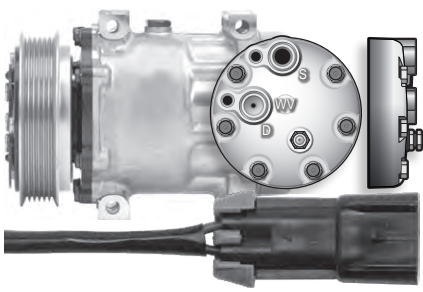
75R81184Q RD-5-12569-0P
Model: QP-7H15 **Head:** GK **Voltage:** 24V
Mount: Ear
Clutch: 6" (152mm) A1 Groove **R134a**



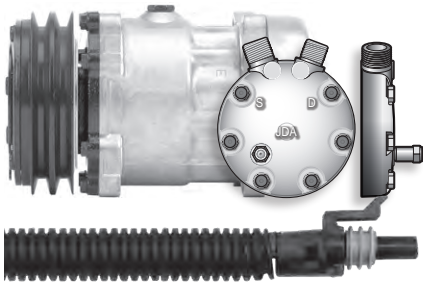
75R81302Q RD-5-11251-1P
Model: QP-7H15 **Head:** GH **Voltage:** 12V
Mount: Direct **Sanden:** 4485, 4818, 4417
Clutch: 3 3/4" (119mm) Poly 8 **R134a**



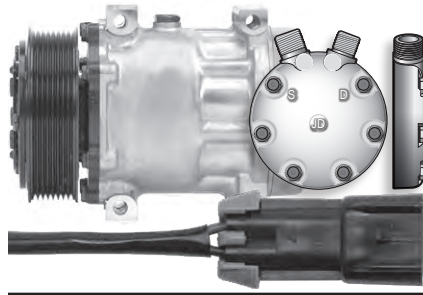
75R81372Q RD-5-11257-1P
Model: QP-7H15 **Head:** WV **Voltage:** 12V
Mount: Direct
Clutch: 4.9" (125mm) Poly 6 **R134a**



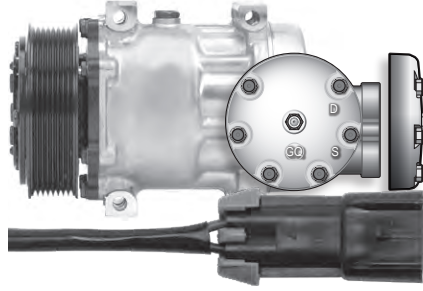
75R81472Q RD-5-11316-1P
Model: QP-7H15 **Head:** JDA **Voltage:** 12V
Mount: Ear
Clutch: 5" (125mm) 2 Groove **R134a**



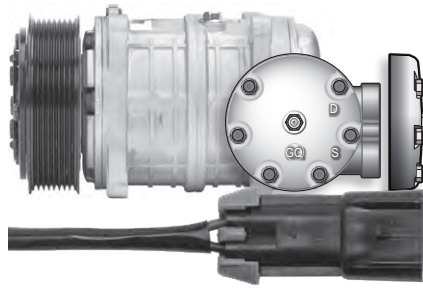
75R81622Q RD-5-12330-1P
Model: QP-7H15 **Head:** JD **Voltage:** 12V
Mount: Direct
Clutch: 4.9" (125mm) Poly 6 **R134a**



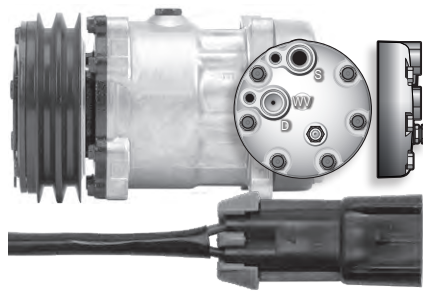
75R81632Q RD-5-12332-1P
Model: QP-7H15 **Head:** GQ **Voltage:** 12V
Mount: Direct **Sanden:** 4040, 4792
Clutch: 4.9" (125mm) Poly 6 **R134a**



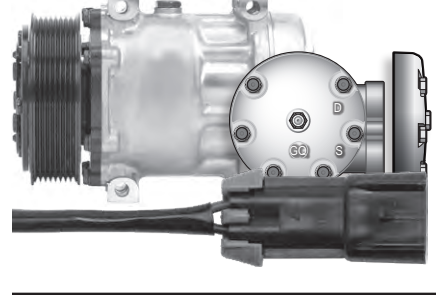
75R81642Q RD-5-12535-0P
Model: QP16HD **Head:** GQ **Voltage:** 12V
Mount: Ear **ICE:** 2521496
Clutch: 4 3/4" (123mm) Poly 8 **R134a**



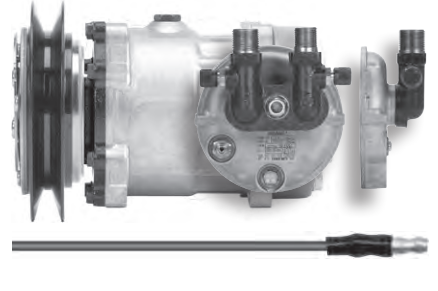
75R81652Q RD-5-11343-1P
Model: QP-7H15 **Head:** WV **Voltage:** 12V
Mount: Ear
Clutch: 5 1/4" (132mm) 2 Groove **R134a**



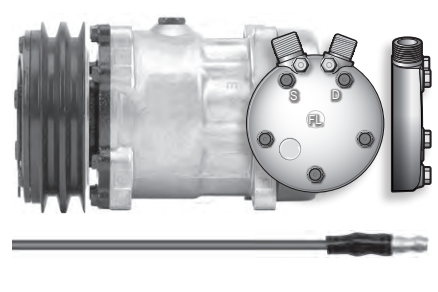
75R81662Q RD-5-12334-1P
Model: QP7H15 **Head:** GQ **Voltage:** 12V
Mount: Direct **Sanden:** 4042, 4759
Clutch: 4.7" (119mm) Poly 8 **R-134a**



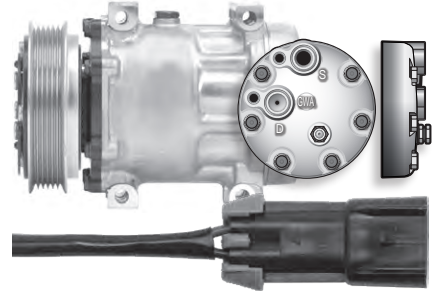
75R8374Q RD-5-7091-1P
Model: QP-5H14 **Head:** FL **Voltage:** 24V
Mount: Ear
Clutch: 6 1/4" (159mm) Variable Groove **R134a**



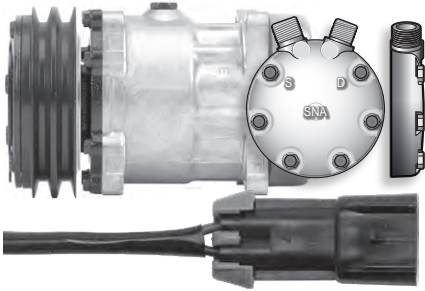
75R8382Q RD-5-7088-1P
Model: 5H14-HD **Head:** FL **Voltage:** 12V
Mount: Ear **Sanden:** 4509, 4639, 6664
Clutch: 5 1/4" (132mm) A2 Groove **R134a**



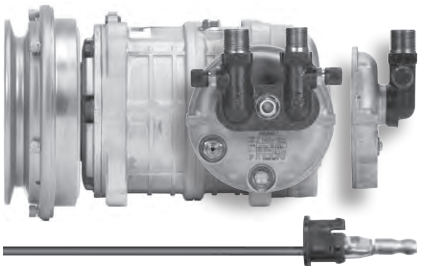
75R84302Q RD-5-13235-0P
Model: QP-7H15 **Head:** GWA **Voltage:** 12V
Mount: Direct **Sanden:** 4815
Clutch: 4.9" (125mm) Poly 6 **R134a**



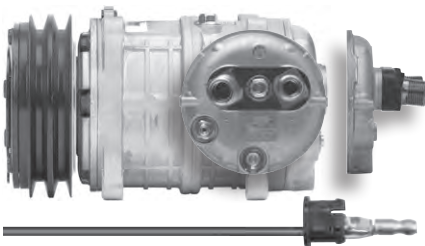
75R84612Q RD-5-10297-1P
Model: QP-7H15 **Head:** SNA **Voltage:** 12V
Mount: Ear
Clutch: 5 1/4" (132mm) 2 Groove **R134a**



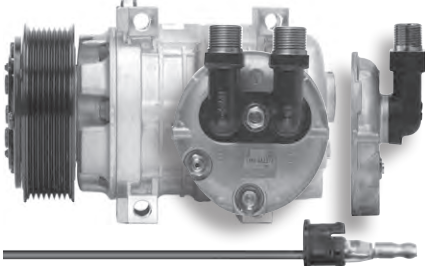
75R8502Q RD-5-5875-1P
Model: QP-15HD **Head:** F **Voltage:** 12V
Mount: Ear **ICE:** 2521129 **Seltec:** 488-25063
Clutch: 5" (125mm) 1 Groove overhang **R-12**



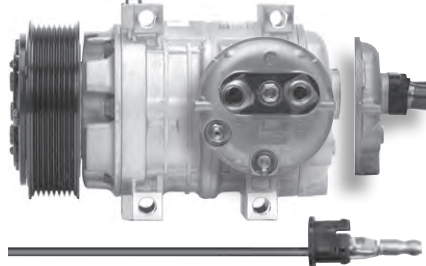
75R85032Q RD-5-9609-9P
Model: QP-15HD **Head:** C **Voltage:** 12V
Mount: Ear **ICE:** 2521168 **Seltec:** 488-45075
Clutch: 5" (125mm) 2 Groove **R134a**



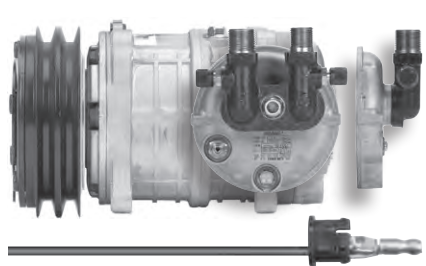
75R85102Q RD-5-12899-0P
Model: QP-16HD **Head:** A **Voltage:** 12V
Mount: Direct (Tangential) **ICE:** 2521641
Clutch: 4 3/4" (123mm) Poly 8 **R134a**



75R85112Q RD-5-12901-0P
Model: QP-16HD **Head:** A **Voltage:** 12V
Mount: Direct (Tangential) **ICE:** 2521677
Clutch: 4 3/4" (123mm) Poly 8 **R134a**



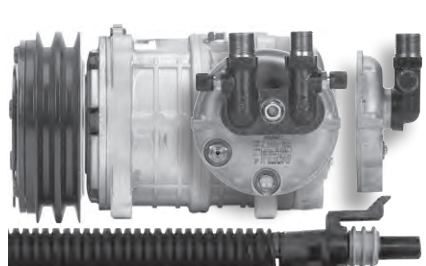
75R8512Q RD-5-5876-1P
Model: QP-15HD **Head:** F **Voltage:** 12V
Mount: Ear **ICE:** 2521121 **Seltec:** 488-25011
Clutch: 5 1/4" (135mm) 2 Groove **R-12**



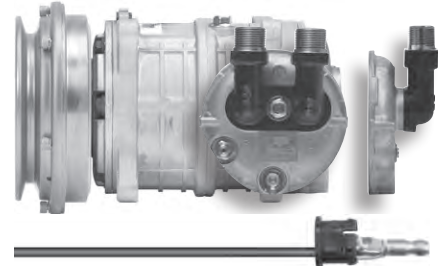
75R85132Q RD-5-12900-0P
Model: QP16HD **Head:** D **Voltage:** 12V
Mount: Direct
Clutch: 5 1/4" (135mm) 2 Groove **R134a**



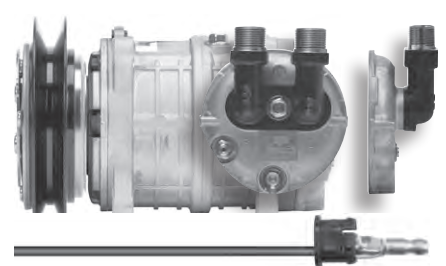
75R8522Q RD-5-7023-1P
Model: QP-15HD **Head:** F **Voltage:** 12V
Mount: Ear **ICE:** 2521132 **Seltec:** 488-25077
Clutch: 5 1/4" (135mm) 2 Groove **R-12**



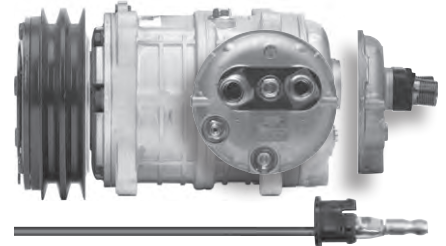
75R8532Q RD-5-8944-1P
Model: QP-15HD **Head:** D **Voltage:** 12V
Mount: Ear **ICE:** 2521166 **Seltec:** 488-45063
Clutch: 5" (125mm) 1 Groove overhang **R134a**



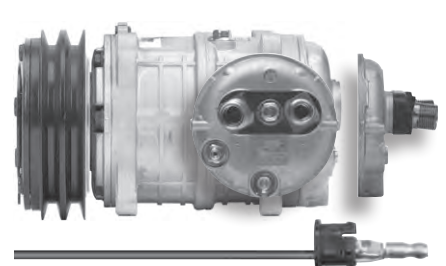
75R85332Q RD-5-10319-1P
Model: QP-15HD **Head:** E **Voltage:** 12V
Mount: Ear **ICE:** 2521329 **Seltec:** 488-45094
Clutch: 6 1/4" (159mm) 1 Variable Groove **R134a**



75R8542Q RD-5-9028-1P
Model: QP-15HD **Head:** A **Voltage:** 12V
Mount: Ear **ICE:** 2521158, 2521479 **Seltec:** 488-45030
Clutch: 5 1/4" (135mm) 2 Groove **R134a**



75R8544Q RD-5-9059-1P
Model: QP-15HD **Head:** A **Voltage:** 24v
Mount: Ear **ICE:** 2521154 **Seltec:** 488-45017
Clutch: 5 1/4" (135mm) 2 Groove **R134a**

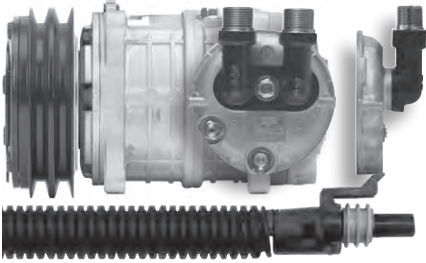


COMPRESSOR

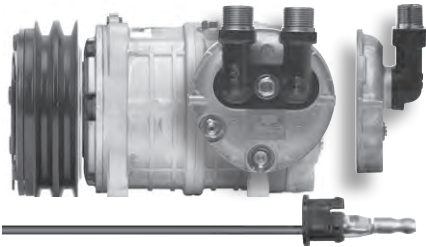
QUE COMPRESSORS – Replacements for ICE / Seltec / Sanden Products

COMPRESSOR

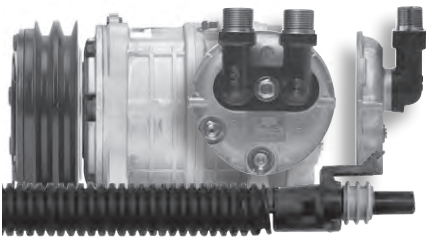
75R8552Q RD-5-9609-10P
Model: QP-15HD **Head:** D **Voltage:** 12V
Mount: Ear **ICE:** 2521301 **Seltec:** 488-45077
Clutch: 5 1/4" (135mm) 2 Groove **R134a**



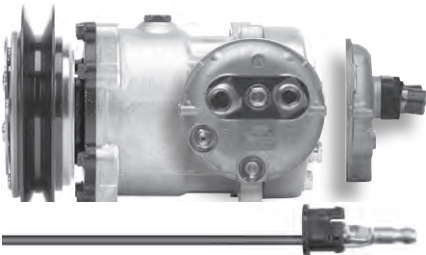
75R85632Q RD-5-10321-1P
Model: QP-15HD **Head:** E **Voltage:** 12V
Mount: Ear **ICE:** 2521316 **Seltec:** 488-45023
Clutch: 5 1/4" (135mm) 2 Groove **R134a**



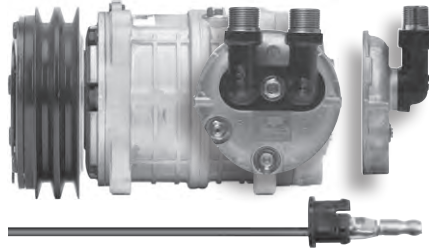
75R85642Q RD-5-11373-1P
Model: QP15HD **Head:** E **Voltage:** 12V
Mount: Ear
Clutch: 5" (125mm) 2 Groove **R134a**



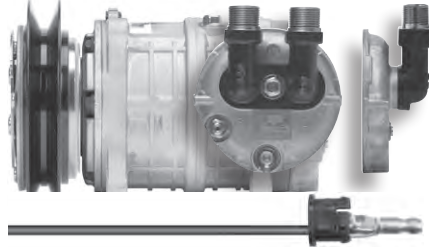
75R85714Q RD-5-10323-1P
Model: QP-15HD **Head:** C **Voltage:** 24V
Mount: Ear **ICE:** 2521279 **Seltec:** 488-45073
Clutch: 6 1/4" (159mm) 1 Groove **R134a**



75R85732Q RD-5-10428-1P
Model: QP-15HD **Head:** D **Voltage:** 12V
Mount: Ear **ICE:** 2521324 **Seltec:** 488-45069
Clutch: 5 1/4" (135mm) 2 Groove **R134a**



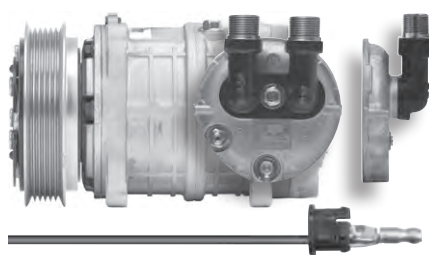
75R85734Q RD-5-10322-1P
Model: QP-15HD **Head:** D **Voltage:** 24V
Mount: Ear **ICE:** 2521165 **Seltec:** 488-45061
Clutch: 6 1/4" (159mm) Variable 1 Groove **R134a**



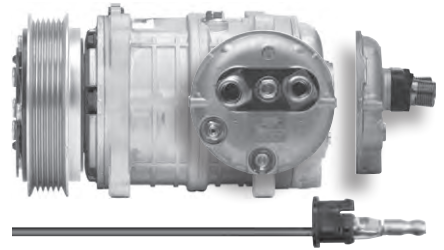
75R85832Q RD-5-10324-1P
Model: QP-15HD **Head:** A **Voltage:** 12V
Mount: Ear **ICE:** 2521323 **Seltec:** 488-45068
Clutch: 4 3/4" (123mm) Poly 6 **R134a**



75R85932Q RD-5-10325-1P
Model: QP-15HD **Head:** D **Voltage:** 12V
Mount: Ear **ICE:** 2521156 **Seltec:** 488-45019
Clutch: 4 3/4" (123mm) Poly 6 **R134a**



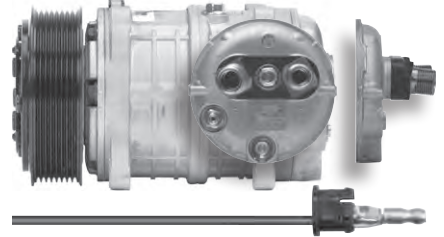
75R86092Q RD-5-10431-1P
Model: QP-15HD **Head:** C **Voltage:** 12V
Mount: Ear **ICE:** 2521330 **Seltec:** 488-45097
Clutch: 4 3/4" (123mm) Poly 6 **R134a**



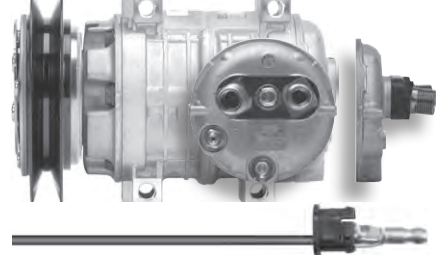
75R8612Q RD-5-7145-1P
Model: QP-15HD **Head:** D **Voltage:** 12V
Mount: Ear **ICE:** 2521152 **Seltec:** 488-45011
Clutch: 5 1/4" (135mm) 2 Groove **R134a**



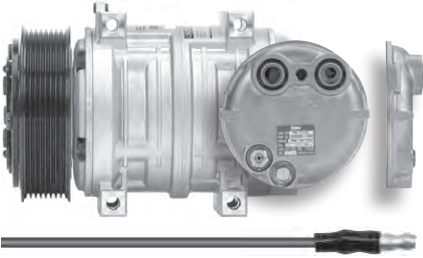
75R86132Q RD-5-10429-1P
Model: QP-15HD **Head:** A **Voltage:** 12V
Mount: Ear **ICE:** 2521266 **Seltec:** 488-45122
Clutch: 4 3/4" (123mm) Poly 8 **R134a**



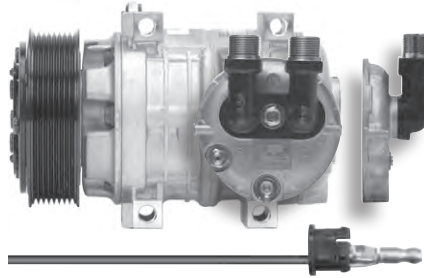
75R86134Q RD-5-10326-1P
Model: QP-15HD **Head:** A **Voltage:** 24V
Mount: Direct **ICE:** 2521268 **Seltec:** 488-45081
Clutch: 6 1/4" (159mm) Variable 1 Groove **R134a**



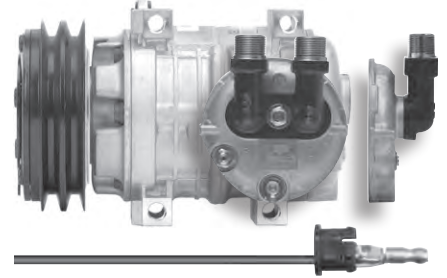
75R86142Q RD-5-12530-1P
Model: QP-21HD **Head:** J **Voltage:** 12V
Mount: Direct **ICE:** 2521562 **Seltec:** 435-67256, 488-47244
Clutch: 5 1/2" (141mm) Poly 8 **R134a**



75R86152Q RD-5-10327-1P
Model: QP-15HD **Head:** D **Voltage:** 12V
Mount: Direct (Tangential) **ICE:** 2521280 **Seltec:** 488-45082
Clutch: 4 3/4" (123mm) Poly 8 **R134a**



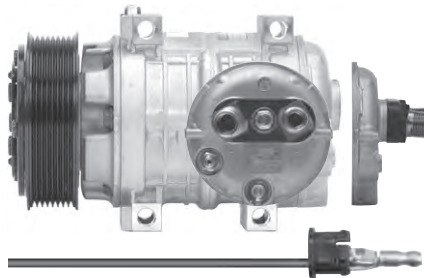
75R86194Q RD-5-10427-2P
Model: QP-15HD **Head:** D **Voltage:** 24V
Mount: Direct **ICE:** 2521294 **Seltec:** 488-45090
Clutch: 5 1/4" (135mm) 2 Groove **R134a**



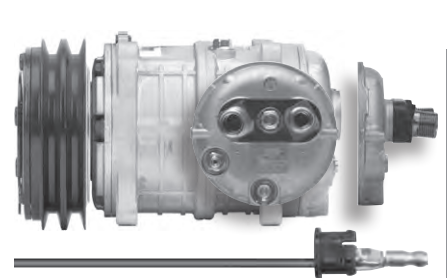
75R86144Q RD-5-11866-2P
Model: QP-21HD **Head:** J **Voltage:** 24V
Mount: Direct **ICE:** 2521563 **Seltec:** 488-47246
Clutch: 5 1/2" (141mm) Poly 8 **R134a**



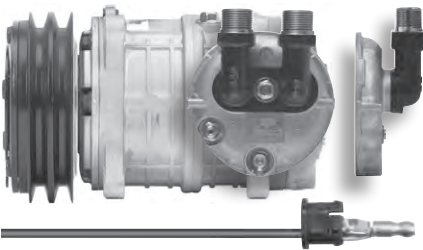
75R86162Q RD-5-10328-1P
Model: QP-15HD **Head:** A **Voltage:** 12V
Mount: Direct **ICE:** 2521281 **Seltec:** 488-45084
Clutch: 4 3/4" (123mm) Poly 8 **R134a**



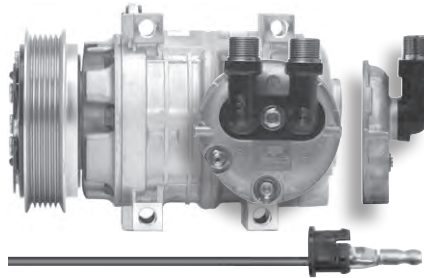
75R86202Q RD-5-11521-1P
Model: QP-16HD **Head:** A **Voltage:** 12V
Mount: Ear **ICE:** 2521186 **Seltec:** 488-46030
Clutch: 5 1/4" (135mm) 2 Groove **R134a**



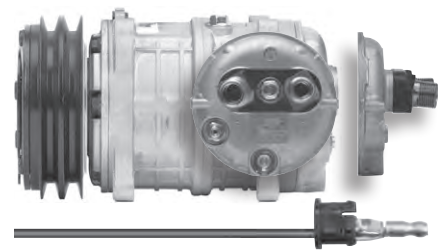
75R86140 RD-5-7163-2P
Model: QP-15HD **Head:** D **Voltage:** 24V
Mount: Ear **ICE:** 2521153 **Seltec:** 488-45015
Clutch: 5 1/4" (135mm) 2 Groove **R134a**



75R86172Q RD-5-10329-1P
Model: QP-15HD **Head:** D **Voltage:** 12V
Mount: Direct (Tangential) **ICE:** 2521170 **Seltec:** 488-45088
Clutch: 4 3/4" (123mm) Poly 6 **R134a**



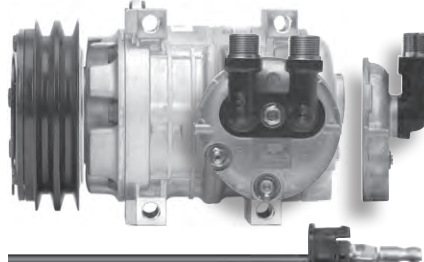
75R86212Q RD-5-11520-1P
Model: QP-16HD **Head:** C **Voltage:** 12V
Mount: Ear **ICE:** 2521350 **Seltec:** 488-46075
Clutch: 5" (125mm) 2 Groove **R134a**



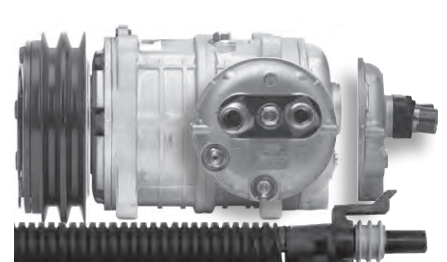
75R861522Q RD-5-129020P
Model: QP21 **Head:** J **Voltage:** 12V
Mount: Direct
Clutch: 5 3/4" (145 mm) 2GR **R-134a**



75R86182Q RD-5-10426-1P
Model: QP-15HD **Head:** D **Voltage:** 12V
Mount: Direct **ICE:** 2521282 **Seltec:** 488-45092
Clutch: 5 1/4" (135mm) 2 Groove **R134a**



75R86222Q RD-5-11523-1P
Model: QP-16HD **Head:** A **Voltage:** 12V
Mount: Ear **ICE:** 2521596 **Seltec:** 488-46059
Clutch: 5 1/4" (135mm) 2 Groove **R134a**

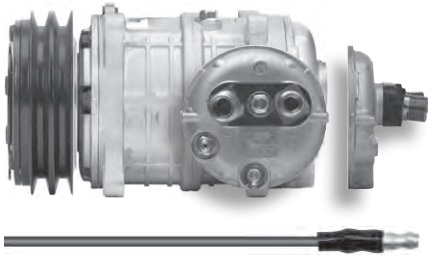


COMPRESSOR

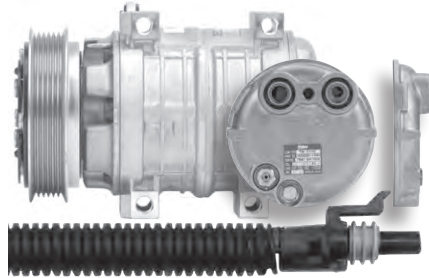
QUE COMPRESSORS – Replacements for ICE / Seltec / Sanden Products

COMPRESSOR

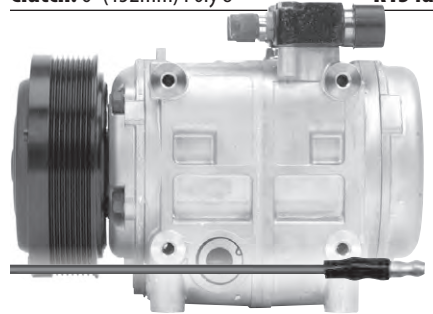
75R86232Q RD-5-13041-0P
Model: QP16HD **Head:** A **Voltage:** 12V
Mount: Ear
Clutch: 5 1/4" (135mm) 2 Groove **R134a**



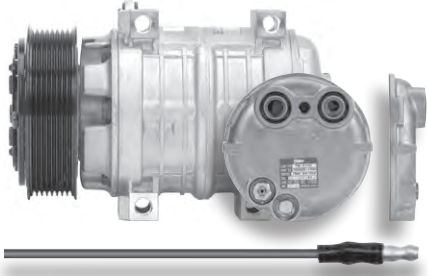
75R86332Q RD-5-13153-0P
Model: QP21 **Head:** J **Voltage:** 12V
Mount: Direct
Clutch: 5" (125mm) Poly 6 **R134a**



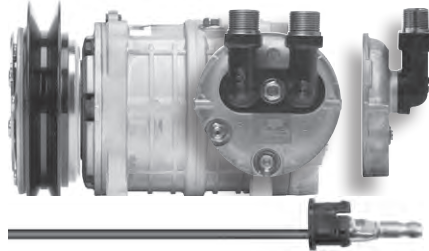
75R8682Q RD-5-12528-0P
Model: QP-31HD **Head:** G **Voltage:** 12V
Mount: Direct (Tangential) **ICE:** 2521213 **Seltec:** 488-46540
Clutch: 6" (152mm) Poly 8 **R134a**



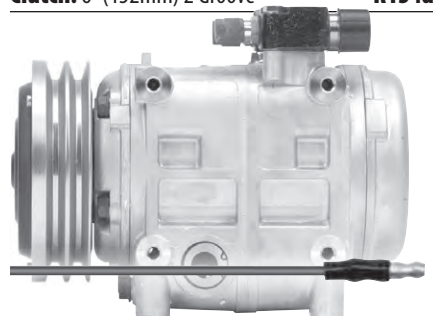
75R86322Q RD-5-12904-0P
Model: QP21 **Head:** J **Voltage:** 12V
Mount: Direct
Clutch: 5 (127mm) Poly 8 **R134a**



75R8634Q RD-5-7165-1P
Model: QP-16HD **Head:** D **Voltage:** 24V
Mount: Ear **ICE:** 2521192 **Seltec:** 488-46061
Clutch: 6 1/4" (159mm) Variable 1 Groove **R134a**



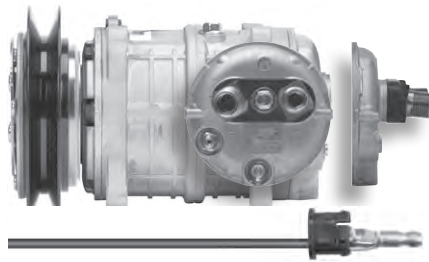
75R8694Q RD-5-12905-0P
Model: QP-31HD **Head:** G **Voltage:** 24V
Mount: Direct (Tangential) **ICE:** 2521213 **Seltec:** 488-46540
Clutch: 6" (152mm) 2 Groove **R134a**



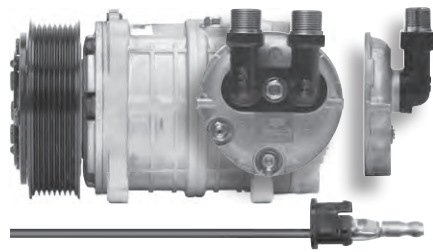
75R86324Q RD-5-12903-0P
Model: QP21 **Head:** J **Voltage:** 24V
Mount: Direct
Clutch: 5 3/4 (145 mm) 2GR **R-134a**



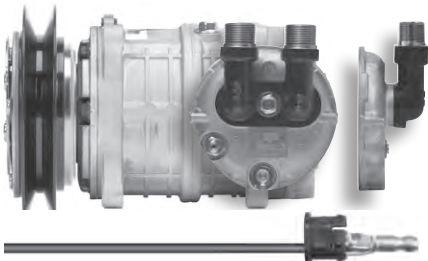
75R8644Q RD-5-8884-1P
Model: QP-16HD **Head:** A **Voltage:** 24V
Mount: Ear **ICE:** 2521194 **Seltec:** 488-46073
Clutch: 6 1/4" (159mm) Variable 1 Groove **R134a**



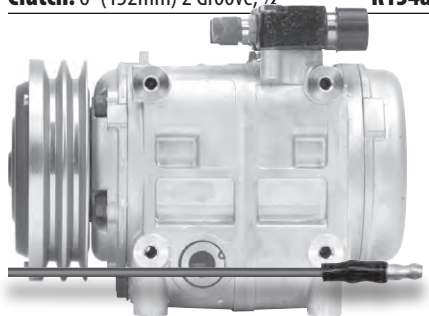
75R8702Q RD-5-10728-1P
Model: QP-15HD **Head:** D **Voltage:** 12V
Mount: Ear **ICE:** 2521171 **Seltec:** 488-45120
Clutch: 4 3/4" (123mm) Poly 8 **R134a**



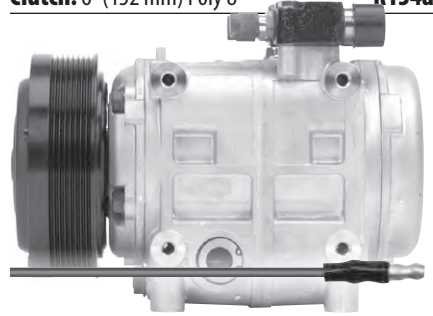
75R8632Q RD-5-7164-1P
Model: QP-15HD **Head:** D **Voltage:** 12V
Mount: Ear **ICE:** 2521167 **Seltec:** 488-45065
Clutch: 6 1/4" (159mm) Variable 1 Groove **R134a**



75R8672Q RD-5-12529-0P
Model: QP-31HD **Head:** G **Voltage:** 12V
Mount: Direct (Tangential) **ICE:** 2521209 **Seltec:** 488-46500
Clutch: 6" (152mm) 2 Groove, 1/2" **R134a**

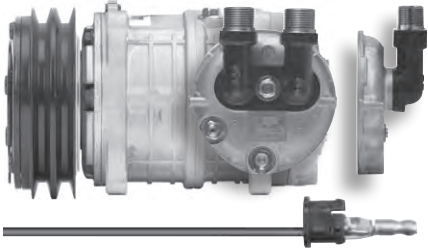


75R8704Q RD-5-125250P
Model: QP-31HD **Head:** G **Voltage:** 24V
Mount: Direct/ Tangential
Clutch: 6" (152 mm) Poly 8 **R134a**



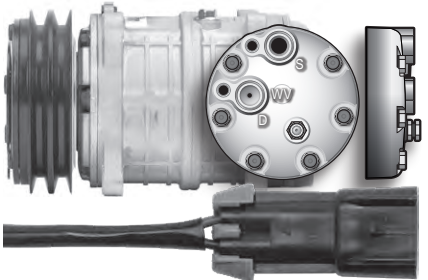
75R8712Q RD-5-9609-11P

Model: QP-16HD **Head:** D **Voltage:** 12V
Mount: Ear **ICE:** 2521180 **Seltec:** 488-46011
Clutch: 5 1/4" (135mm) 2 Groove **R134a**



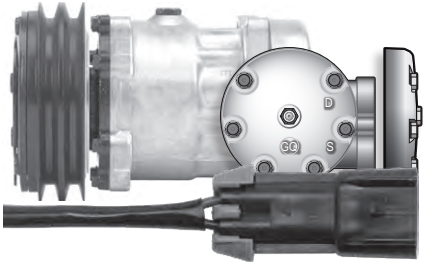
75R8722Q RD-5-10492-1P

Model: QP-16HD **Head:** WV **Voltage:** 12V
Mount: Ear **ICE:** 2521475
Clutch: 5" (125mm) 2 Groove **R134a**



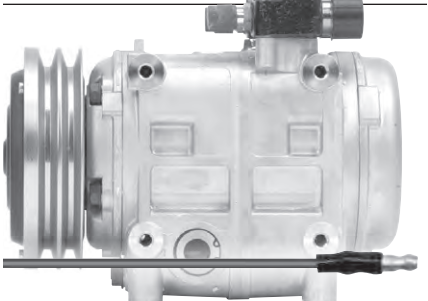
75R8772Q RD-5-12568-0P

Model: QP7H15 **Head:** GQ **Voltage:** 12V
Mount: Ear **Sanden:** 4401, 4426, 4696
Clutch: 4.9" (125mm) A2 Groove **R-134a**



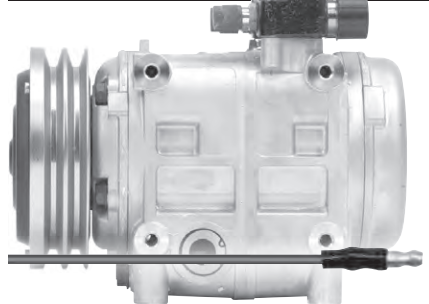
75R8782Q RD-5-12906-0P

Model: QP31HD **Head:** G **Voltage:** 12V
Mount: Direct/ Tangential
Clutch: 6 1/4 (158mm) 2 Groove **R-134a**



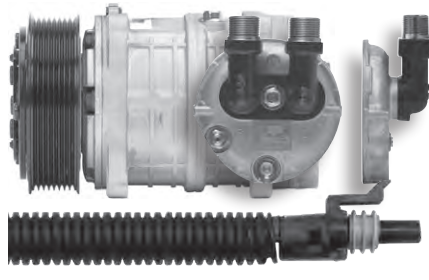
75R8784Q RD-5-12907-0P

Model: QP31HD **Head:** G **Voltage:** 24V
Mount: Direct/ Tangential
Clutch: 6 1/4 (158mm) 2 Groove **R-134a**



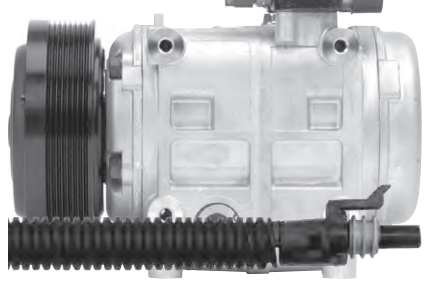
75R8802Q RD-5-11318-1P

Model: QP-16HD **Head:** E **Voltage:** 12V
Mount: Ear **2521581**
Clutch: 4 3/4" (123mm) Poly 8 **R134a**



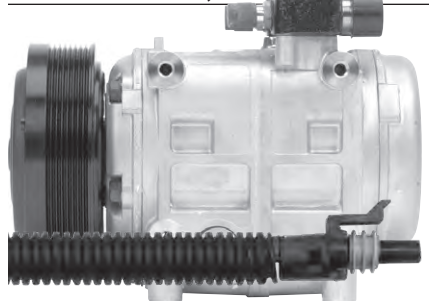
75R8812Q RD-5-13655-0P

Model: QP-31HD **Head:** G **Voltage:** 12V
Mount: Direct/ Tangential
Clutch: 6" (152 mm) Poly 8 **R134a**



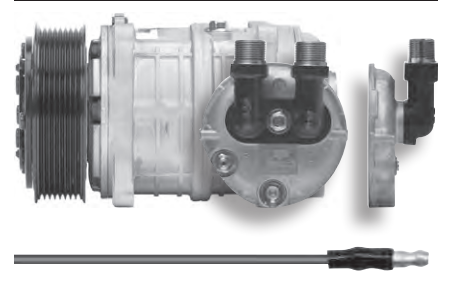
75R8814Q RD-5-12630-0P

Model: QP-31HD **Head:** G **Voltage:** 24V
Mount: Direct/ Tangential
Clutch: 6" (152mm) Poly 10 **R134a**



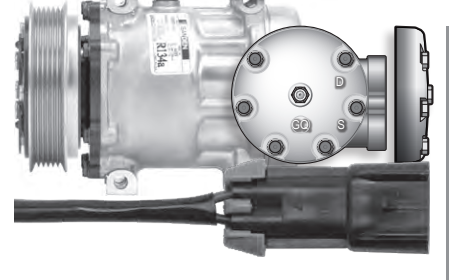
75R8822Q RD-5-12564-0P

Model: QP-16HD **Head:** E **Voltage:** 12V
Mount: Ear
Clutch: 4 3/4" (123mm) Poly 8 **R134a**



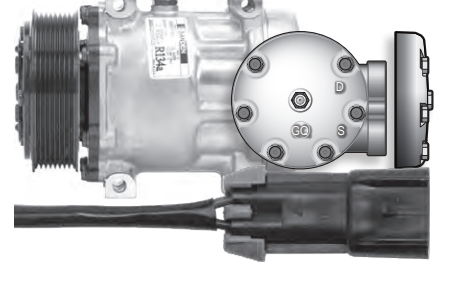
75R89492Q RD-5-12550-1P

Model: QP7H15S **Head:** GQ **Voltage:** 12V
Mount: Direct **Sanden:** 4080, 4377
Clutch: 4.9" (125mm) Poly 6 **R-134a**



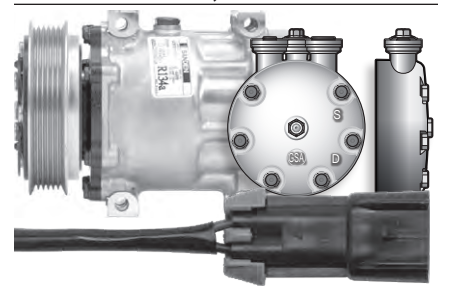
75R89502Q RD-5-13207-1P

Model: QP7H15S **Head:** GQ **Voltage:** 12V
Mount: Direct **Sanden:** 4077, 4368
Clutch: 4 3/4" (119mm) Poly 8 **R-134a**



75R89522Q RD-5-13209-1P

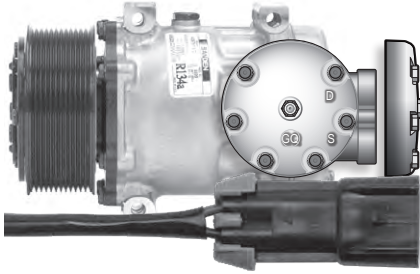
Model: QP7H15S **Head:** GSA **Voltage:** 12V
Mount: Direct **Sanden:** 4079, 4379
Clutch: 5" (126mm) Poly 6 **R-134a**



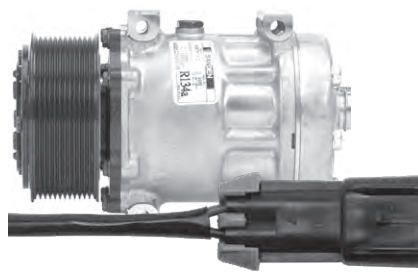
COMPRESSOR

QUE COMPRESSORS – Replacements for ICE / Seltec / Sanden Products

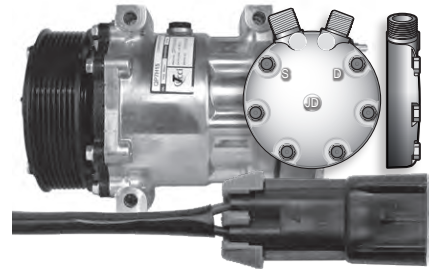
75R89532Q RD-5-13210-1P
Model: QP7H15S **Head:** GQ **Voltage:** 12V
Mount: Direct **Sanden:** 4078, 4370
Clutch: 5" (126mm) Poly 12 **R-134a**



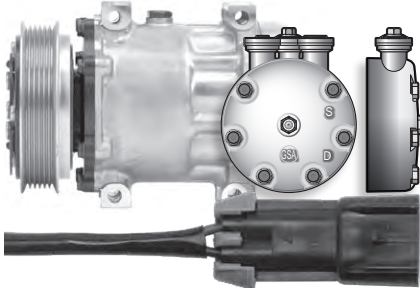
75R89592Q RD-5-15533-1P
Model: QP21 **Head:** J **Voltage:** 12V
Mount: Direct
Clutch: 5" (126mm) Poly 10 **R-134a**



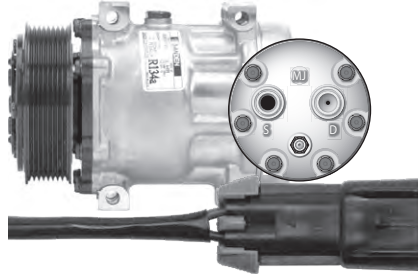
75R89822Q RD-5-14690-0P
Model: QP7H155HD **Head:** JD **Voltage:** ??V
Mount: Direct **Sanden:** 4286
Clutch: 4.9" (125mm) Poly 6



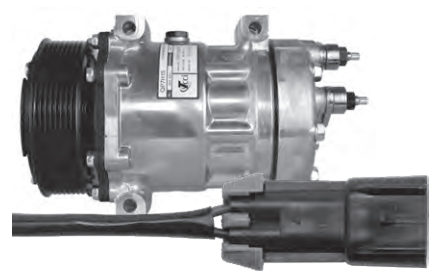
75R89582Q RD-5-13215-1P
Model: QP7H15 **Head:** GSA **Voltage:** 12V
Mount: Direct
Sanden: 4039, 4424, 4731, 4376, 5362
Clutch: 4.9" (125mm) Poly 6 **R-134a**



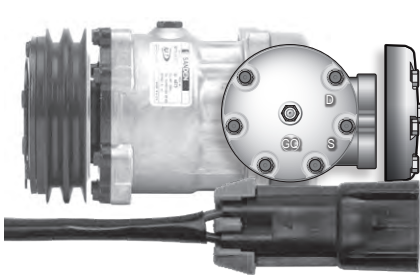
75R89802Q RD-5-15309-0P
Model: QP7H15 **Head:** MJ **Voltage:** 12V
Mount: Direct **Sanden:** 4421
Clutch: 4.7" (119mm) Poly 8 **R-134a**



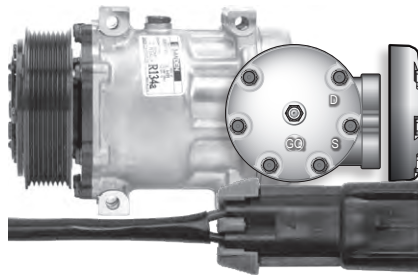
75R81292Q RD-5-11250-1P
Model: QP7H15 **Head:** H **Voltage:** 12V
Mount: Ear **Sanden:** 4618
Clutch: 4 3/4" (123mm) Poly 7



75R89602Q RD-5-13226-1P
Model: QP7H15S **Head:** GQ **Voltage:** 12V
Mount: Ear **Sanden:** 4089, 4383
Clutch: 4.9" (125mm) A2 Groove **R-134a**



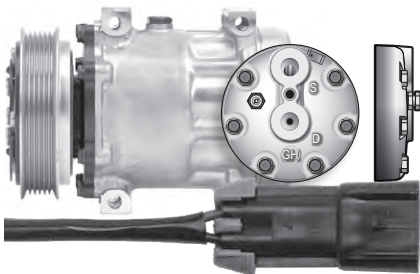
75R89622Q RD-5-14652-1P
Model: QP7H155HD **Head:** GQ **Voltage:** 12V
Mount: Direct **Sanden:** 4802S
Clutch: 5 1/2" (140mm) Poly 8 **R-134a**



75R89834Q RD-5-15720-0P
Model: QP16-1665 **Head:** A **Voltage:** 24V
Mount: Direct
Clutch: 4.7" (119mm) Poly 8 **R-134a**



75R81232Q RD-5-11244-1P
Model: QP7H15 **Head:** GH **Voltage:** 12V
Mount: Direct **Sanden:** 4430
Clutch: 4.9" (125mm) Poly 6 **R-134a**



75R8384Q RD-5-7089-1P
Model: QP7H15 **Head:** JD **Voltage:** 24V
Mount: Ear **Sanden:** 4506, 4507, 6627, 6665
Clutch: 5 1/4" (132mm) A2 Groove **R-134a**

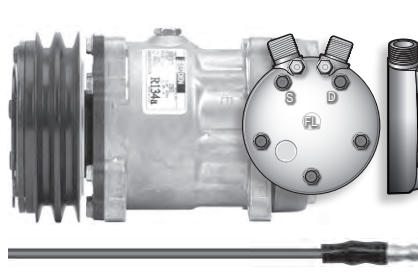


Image Not Available

COMPRESSOR

75R89840Q RD-5-15721-1P

Model: QP16-1000

Mount: Ear

Clutch: No Clutch **R-134a**



Image Not Available

75R89812Q RD-5-14691-0P

Model: QP7H15SHD **Head:** WV **Voltage:** 12V

Mount: Direct **Sanden:** 4286

Clutch: 5 1/4" (132mm) Poly 8



Image Not Available

75R9132 RD-5-15735-1P

Model: QP7H15SHD **Head:** PK **Voltage:** 12V

Mount: Direct **Sanden:** 1866

Clutch: 4.9" (125mm) Poly 6 **R-134**

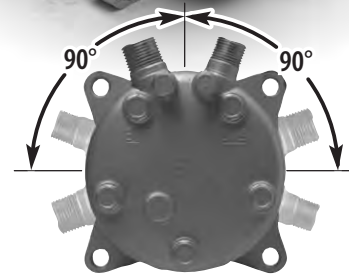
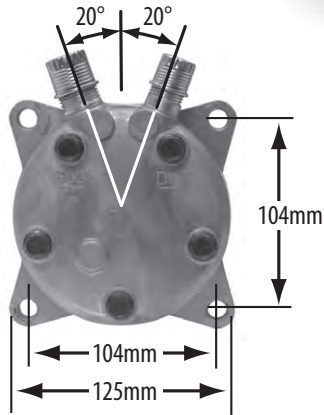
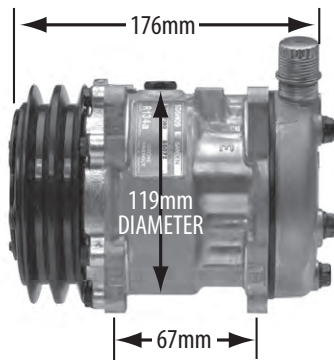


Image Not Available

SANDEN COMPRESSORS

SD5H09

Bore	1.38 in. (35mm)
Stroke	0.71 in. (18mm)
Displacement per Revolution	5.3 cu. in. (87cc)
Number of Cylinders	5
Maximum Allowable Continuous R.P.M. (Normal Operating Conditions)	7,500
Refrigerant	134A
Oil (PAG)*	3.5 fl. oz. (100cc)
Rotation	Clockwise



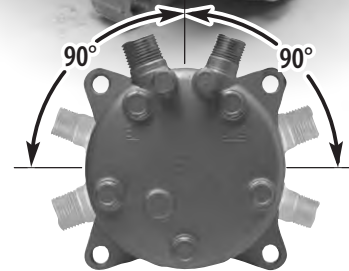
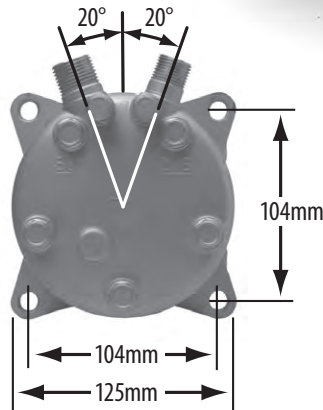
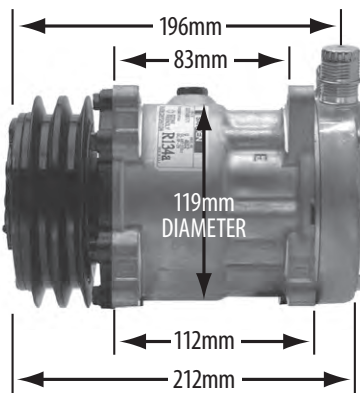
Mounting options up to 90° from vertical.

NOTE: Photos at left and above are shown with one of several options for clutches and cylinder head.

COMPR

SD709 & SD7H15

Bore	1.153 in. 29mm
Stroke	1.29 in. 33mm
Displacement per Revolution	9.5 cu. in. 155cc
Number of Cylinders	7
Maximum Allowable Continuous R.P.M. (Normal Operating Conditions)	6,000
Refrigerant	R-12 / 134A
Oil (SUNISO 5GS / SP15)	4.6 fl. oz. (135cc)
Weight	16.4 LB. 7.4 kg.
Rotation	Clockwise



Mounting options up to 90° from vertical.

NOTE: Photos at left and above are shown with one of several options for clutches and cylinder head.

SANDEN'S NEW, FLEXIBLE COMPRESSOR SERIES – FLX7



FLX7 Features and Benefits

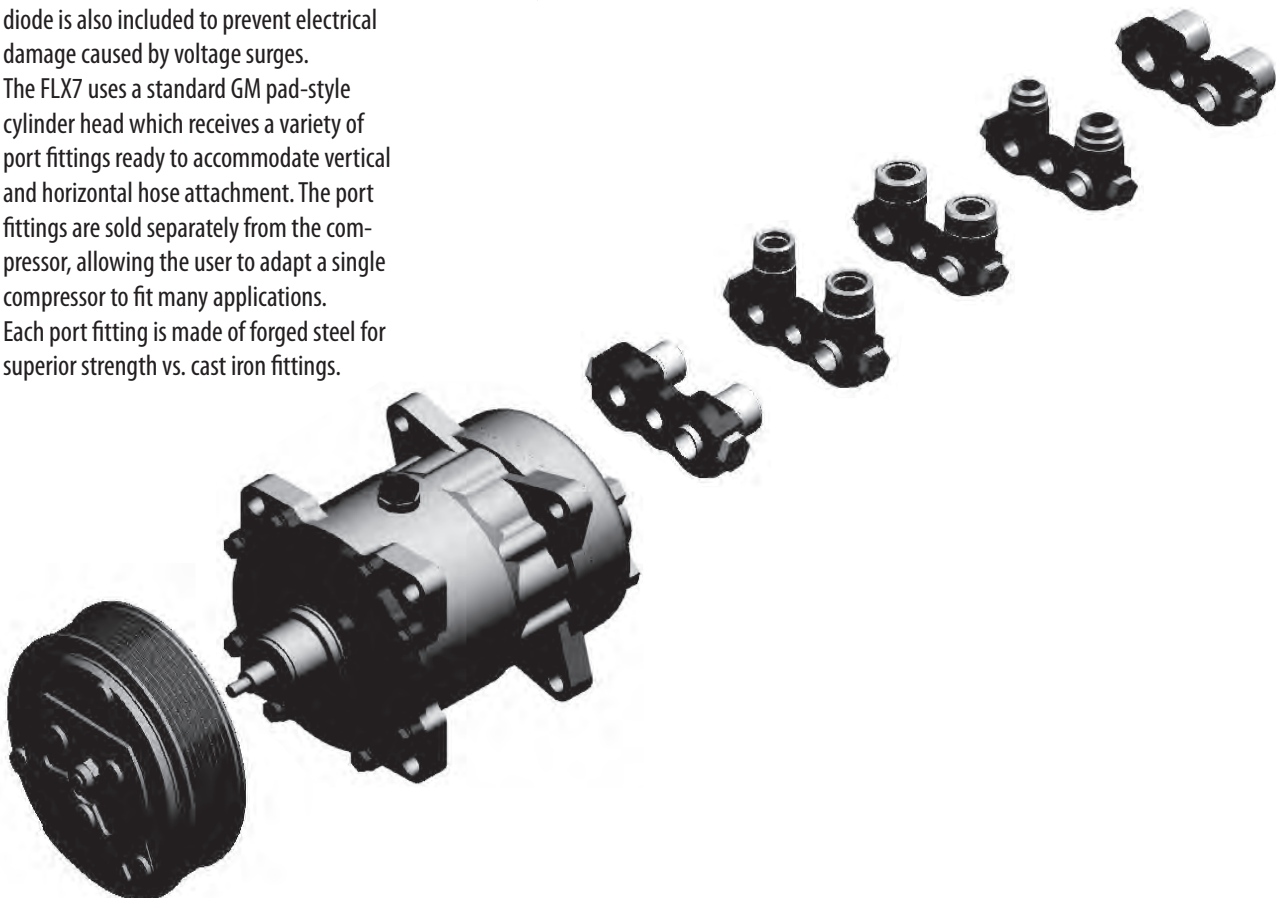
- The FLX7 utilizes interchangeable parts to increase flexibility and adaptability to a variety of vehicle applications. FLX7 compressors come standard with enhanced features previously found only on premium compressors. Features and benefits include:
- A variety of clutch rotor configurations: single, double, sealed heavy-duty and multi-groove rotors are available in 12 and 24 volt options.
- Each FLX7 comes with both a bullet and a sealed Packard clutch lead wire terminal for application flexibility.
- For protection, every FLX7 comes equipped with a pressure relief valve to guard against abnormal pressure conditions. A field coil diode is also included to prevent electrical damage caused by voltage surges.
- The FLX7 uses a standard GM pad-style cylinder head which receives a variety of port fittings ready to accommodate vertical and horizontal hose attachment. The port fittings are sold separately from the compressor, allowing the user to adapt a single compressor to fit many applications.
- Each port fitting is made of forged steel for superior strength vs. cast iron fittings.

SD7H15 Durability

- The FLX7 starts with the same SD7H15 compressor known throughout the automotive industry for its performance and durability.
- Seven cylinders for reduced operating pulsations, reduced noise and improved performance.
- Available in ear mount or direct mount configurations for flexibility and adaptability over a broad range of applications.
- Superior lubricating system for increased durability and high temperature performance.
- Heavy-duty bearing to handle higher pressures and loads.
- Shaft seal for greater leak protection and durability.

Typical Applications

- FLX7 are designed for use with:
- Light Passenger Vehicles
- Medium Duty and Heavy Trucks
- Construction Vehicles
- Agricultural Vehicles
- Passenger Buses



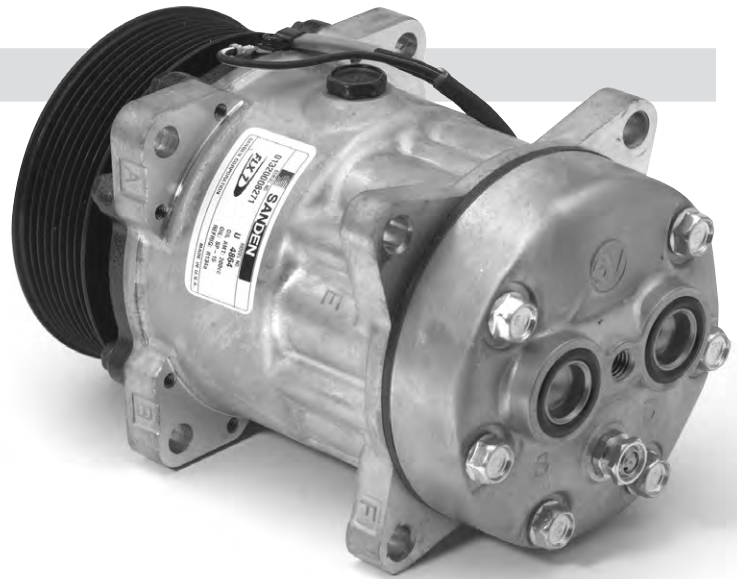
COMPRESSOR

SANDEN COMPRESSORS

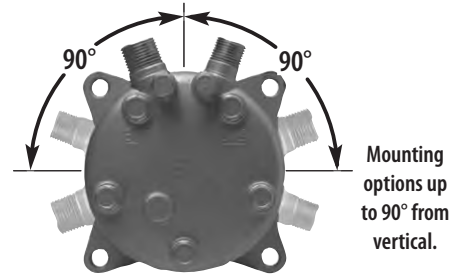
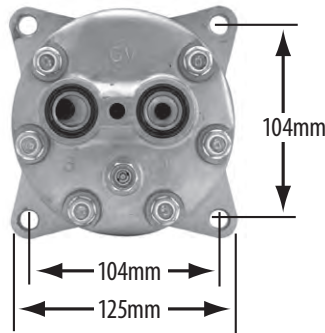
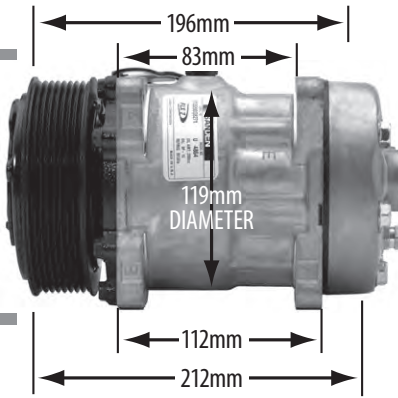
FLX7



Bore	1.153 in. (29mm)
Stroke	1.29 in. (33mm)
Displacement per Revolution	9.5 cu. in. (155cc)
Number of Cylinders	7
Maximum Allowable Continuous R.P.M. Normal Operating Conditions)	6,000
Refrigerant	R 134A
Oil (SP15)	6.75 fl. oz. (200cc)
Weight	16.4 lbs (7.4 kg)
Rotation	Clockwise



COMPRESSOR



NOTE: Photos at left and above are shown with one of several options for clutches and cylinder head.

SANDEN FLX-7 REAR PORT FITTING ADAPTERS

Compressor heads shown for reference only

75R89305
RD-5-10880-0P

Horizontal O-Ring
3/4" X 7/8"



75R89310
RD-5-10881-0P

Vertical O-Ring
3/4" X 7/8"



75R89315
RD-5-10882-0P

Vertical O-Ring
1" X 14



75R89320
RD-5-10883-0P

Vertical Flare
3/4" X 7/8"



75R89325
RD-5-10884-0P

Horizontal O-Ring
1" X 14



FLX 7 WIRE ADAPTER

Red Dot No.
75R89327

Factory No..
RD 5-11007-0P

Description
Converts Single Wire to Dual Wire



FLX7 REPLACEMENT PARTS

Sanden Part No.	FLX7 Replacement	Head Adapter
4419	75R89462	N/A
4420	75R89302	N/A
4428	75R89462	75R89305
4434	75R89422	N/A
4435	75R89424	75R89310
4447	75R89422	75R89315
4448	75R89394	N/A
4501	75R89384	75R89315
4502	75R89382	75R89315
4506	75R89424	75R89310
4507	75R89424	75R89310
4508	75R89392	75R89310
4509	75R89422	75R89310
4510	75R89422	75R89310
4511	75R89372	75R89315
4513	75R89422	75R89325
4514	75R89352	75R89310
4515	75R89372	75R89310
4516	75R89374	75R89310
4518	75R89344	75R89325
4519	75R89414	GM PAD
4521	75R89424	75R89325
4522	75R89352	75R89325
4523	75R89352	75R89325
4525	75R89422	75R89315
4526	75R89392	75R89325
4527	75R89424	75R89315
4529	75R89422	75R89315
4532	75R89484	75R89310
4536	75R89422	75R89305
4537	75R89424	75R89305
4600	75R89434	75R89310
4626	75R89462	75R89310
4627	75R89312	75R89310
4637	75R89434	75R89305
4638	75R89352	75R89325
4641	75R89302	75R89325
4643	75R89422	75R89315
4646	75R89422	75R89325

Sanden Part No.	FLX7 Replacement	Head Adapter
4647	75R89422	75R89310
4652	75R89334	75R89310
4663	75R89312	75R89310
4664	75R89422	75R89310
4665	75R89352	75R89310
4666	75R89302	75R89305
4706	75R89312	75R89315
4707	75R89352	N/A
4708	75R89312	N/A
4709	75R89312	75R89305
4710	75R89352	75R89315
4711	75R89352	75R89310
4712	75R89352	75R89305
4741	75R89334	75R89310
4742	75R89334	75R89305
4743	75R89334	75R89315
4744	75R89334	75R89325
4745	75R89374	75R89310
4746	75R89372	75R89310
4747	75R89372	75R89315
4762	75R89354	75R89315
4763	75R89354	75R89315
4764	75R89354	75R89325
4765	75R89354	75R89305
4779	75R89312	75R89310
4864	75R89352	N/A
4866	75R89354	N/A
4867	75R89354	N/A
4868	75R89372	N/A
4869	75R89382	75R89310
4870	75R89374	N/A
4871	75R89384	75R89315
4872	75R89392	N/A
4873	75R89332	N/A
4874	75R89434	N/A
4876	75R89412	N/A
4877	75R89474	N/A
4878	75R89414	GM PAD
4881	75R89484	N/A

Sanden Part No.	FLX7 Replacement	Head Adapter
4882	75R89312	75R89320
5407	75R89394	75R89310
5411	75R89332	75R89325
5413	75R89394	75R89310
5415	75R89332	75R89310
5425	75R89382	75R89310
5754	75R89414	GM PAD
6626	75R89422	75R89310
6627	75R89424	75R89310
6629	75R89352	75R89310
6630	75R89422	75R89305
6631	75R89422	75R89325
6632	75R89424	75R89325
6634	75R89424	75R89305
6642	75R89422	75R89315
6655	75R89352	75R89325
6656	75R89392	75R89310
6664	75R89422	75R89310
6665	75R89424	75R89310
6667	75R89424	75R89325
6670	75R89392	75R89325
6671	75R89372	75R89315
6672	75R89374	75R89310
6673	75R89372	75R89310
6675	75R89352	75R89325
6676	75R89422	75R89305
6677	75R89422	N/A
6678	75R89422	N/A
6679	75R89484	75R89310
6680	75R89424	75R89305
7819	75R89312	75R89325
7822	75R89352	75R89325
8103	75R89352	75R89310
8104	75R89422	75R89310
8396	75R89312	75R89320
8399	75R89344	75R89320
8399	75R89394	75R89320
9105	75R89394	75R89320
9119	75R89382	75R89315

Sanden Part No.	FLX7 Replacement	Head Adapter
9122	75R89384	75R89315
9133	75R89394	75R89325
9137	75R89394	75R89315
9143	75R89394	75R89310
9265	75R89394	75R89325
9505	75R89394	75R89315
9513	75R89332	75R89320
9674	75R89394	75R89310
9675	75R89382	75R89310
9676	75R89374	75R89310
9684	75R89414	N/A

COMPRESSOR



ORDERING GUIDE

R-134A

Red Dot No.	Factory No.	Displacement in Inches ³	Model Type	Wire Connect	Volts	Mount Type	Clutch Type	Head Type	Sanden Part No.	Clutch Part No.
75R89302	RD-5-10885-0P	9.5	7H15 FLX	1	12	Direct	4 3/4" (119mm) Poly 8	GV	4420	75R1862
75R89304	RD-5-10887-0P	9.5	7H15FLX	1	24	Direct	4 3/4" (119mm) Poly 8	GV	4327	
75R89312	RD-5-10886-0P	9.5	7H15 FLX	1	12	Ear	5" (125mm) 2A GR	GV	4860	75R0192
75R89334	RD-5-10888-0P	9.5	7H15 FLX	1	24	Ear	5" (125mm) 2A GR	GV	4862	—
75R89352	RD-5-10890-0P	9.5	7H15 FLX	1	12	Ear	4 3/4" (119mm) Poly 8	GV	4864	—
75R89354	RD-5-10892-0P	9.5	7H15 FLX	1	24	Ear	4 3/4" (119mm) Poly 8	GV	4866	—
75R89372	RD-5-10893-0P	9.5	7H15 FLX	1	12	Ear	6 1/4" (158mm) Var GR	GV	4868	—
75R89374	RD-5-10895-0P	9.5	7H15 FLX	1	24	Ear	6 1/4" (158mm) Var GR	GV	4870	—
75R89392	RD-5-10897-0P	9.5	7H15 FLX	1	12	Ear	5" (125mm) Poly 10	GV	4872	—
75R89422	RD-5-10899-0P	9.5	7H15 FLX	1	12	Ear	5 1/4" (132mm) 2A GR	GV	4434	—
75R89424	RD-5-10900-0P	9.5	7H15 FLX	1	24	Ear	5 1/4" (132mm) 2A GR	GV	4435	—
75R89432	RD-5-11005-0P	9.5	7H15 FLX	1	12	Ear	5 1/4" (133mm) Poly 8	GV	4874	—
75R89462	RD-5-11006-0P	9.5	7H15 FLX	1	12	Direct	5" (125mm) 2A GR	GV	4419	75R0192
75R89474	RD-5-11009-0P	9.5	7H15 FLX	1	24	Ear	5 1/2" (138mm) 1A GR	GV	4877	—
75R89484	RD-5-11010-0P	9.5	7H15 FLX	1	24	Ear	6" (152mm) 2A GR	GV	4881	—

FLX 7 FITTINGS

Red Dot No.	Factory No..	Description
75R89305	RD-5-10880-0P	H 3/4 X 7/8 Fitting
75R89310	RD-5-10881-0P	V 3/4 X 7/8 Fitting
75R89315	RD-5-10882-0P	V 1 X 14 Fitting
75R89320	RD-5-10883-0P	V 3/4 X 7/8 Flare Fitting
75R89325	RD-5-10884-0P	H 1 X 14 Fitting

FLX 7 WIRE ADAPTER

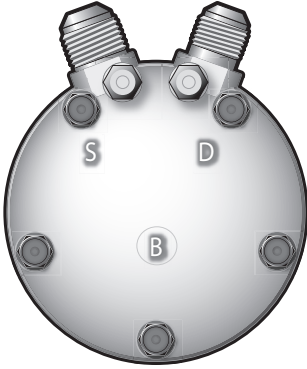
Red Dot No.	Factory No..	Description
75R89327	RD 5-11007-0P	Converts Single Wire to Dual Wire

SANDEN CYLINDER HEAD CONFIGURATIONS

For Reference Only

TYPE B

Vertical Flare $\frac{3}{4}$ " x $\frac{7}{8}$ "



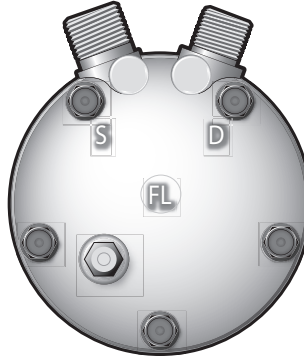
TYPE CBA

Vertical Tube-O 1 x 14



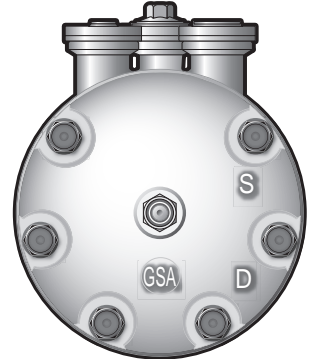
TYPE FL

Vertical O-Ring $\frac{3}{4}$ " x $\frac{7}{8}$ "



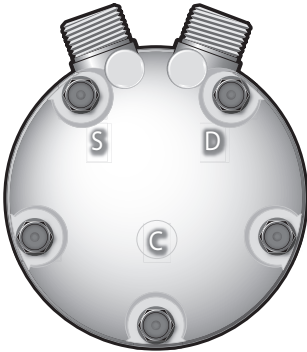
TYPE GSA

Vertical Pad $\frac{3}{4}$ " x $\frac{7}{8}$ "



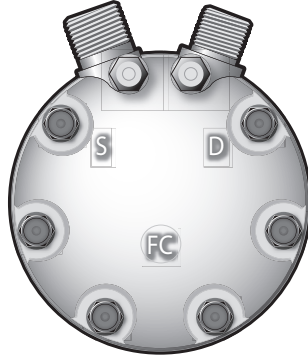
TYPE C

Vertical Tube-O 1 x 14



TYPE FC

Vertical O-Ring $\frac{3}{4}$ " x $\frac{7}{8}$ "



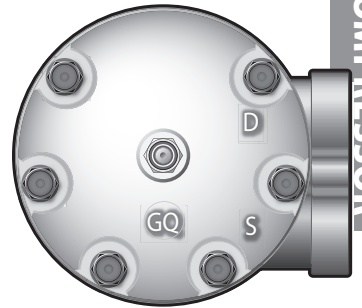
TYPE GH

Horizontal Pad $\frac{3}{4}$ " x $\frac{7}{8}$ "



TYPE GQ

Lateral Pad $\frac{3}{4}$ " x $\frac{7}{8}$ "



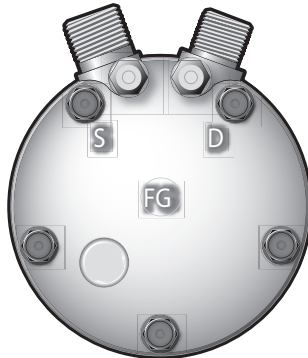
TYPE CB

Vertical Tube-O 1 x 14



TYPE FG

Vertical O-Ring $\frac{3}{4}$ " x $\frac{7}{8}$ "



TYPE GK

Horizontal Pad
With Pressure Relief Valve



TYPE GV

Horizontal Pad
With Pressure Relief Valve



SANDEN CYLINDER HEAD CONFIGURATIONS

For Reference Only

TYPE GWA

Horizontal Pad $\frac{3}{4}$ " x $\frac{7}{8}$ "
With Pressure Relief Valve



TYPE K

Horizontal O-Ring $\frac{3}{4}$ " x $\frac{7}{8}$ "



TYPE KG

75R9001 RD-5-16215-0P
Horizontal O-Ring $\frac{3}{4}$ " x $\frac{7}{8}$ "
With Pressure Relief Valve



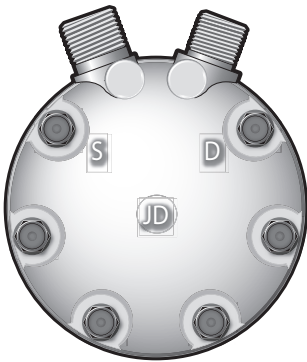
TYPE MDA

Horizontal Tube "0" – 1 x 14
With Pressure Relief Valve



TYPE JD

75R9001 RD-5-16216-0P
Vertical O-Ring $\frac{3}{4}$ " x $\frac{7}{8}$ "



TYPE KC

Horizontal O-Ring $\frac{3}{4}$ " x $\frac{7}{8}$ "



TYPE M

Horizontal Tube-0 1 x 14



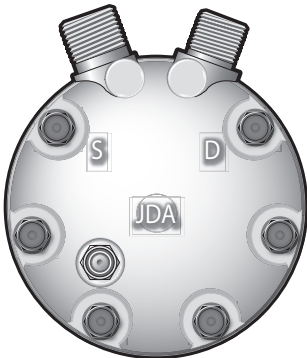
TYPE MJ

Horizontal Tube "0" – 1 x 14



TYPE JDA

Vertical O-Ring $\frac{3}{4}$ " x $\frac{7}{8}$ "
With Pressure Relief Valve



TYPE KCA

Horizontal O-Ring $\frac{3}{4}$ " x $\frac{7}{8}$ "
With Pressure Relief Valve



TYPE MD

Horizontal Tube-0 1 x 14



TYPE MJA

Horizontal Tube-0 1 x 14
With Pressure Relief Valve



COMPRESSOR

SANDEN CYLINDER HEAD CONFIGURATIONS

For Reference Only

TYPE N

Vertical Tube-0 3/4" x 1/8"



TYPE QH

Horizontal GM Pad



TYPE SJA

Horizontal Special Pad
SD7H15 Compressor



TYPE UK

Vertical Pad 3/4" x 1/8"



TYPE Q

Horizontal GM Pad



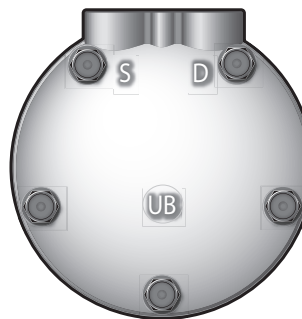
TYPE QM

Horizontal GM Pad



TYPE UB

Vertical Pad 3/4" x 1/8"



TYPE WH

Vertical Pad 3/4" x 1/8"



TYPE QD

Horizontal GM Pad M10



TYPE SJ

Horizontal Special Pad
SD7H15 Compressor



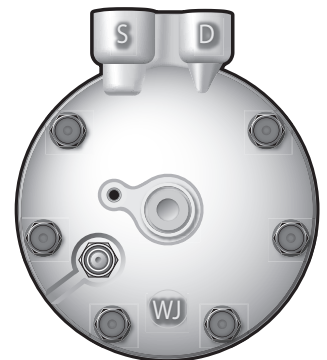
TYPE UD

Horizontal Pad 3/4" x 1/8"



TYPE WJ

Vertical Pad 3/4" x 1/8"



COMPRESSOR

SANDEN CYLINDER HEAD CONFIGURATIONS

For Reference Only

TYPE WV

Horizontal Tab $\frac{3}{4}$ " x $\frac{7}{8}$ "
With Pressure Relief Valve



COMPRESSOR

SANDEN COMPRESSORS

COMPRESSOR

Red Dot Part No.	Factory Part No.	Sanden Part No.	Voltage	Sanden Model Type	Mount Type	Head Type †	Head Fitting Position	Head Fitting Size	Cubic Inches
75R81104	RD-5-11234-0P	4300, 4795	24	SD7H15SHD	Direct Long	MD	Horizontal Tube-0	1" - 14	9.5
75R81114	RD-5-11235-0P	4301, 4769	24	SD7H15SHD	Direct Long	GK	Horizontal Pad	¾ x 7/8	9.5
75R81134	RD-5-11236-0P	4302, 4840	24	SD7H15SHD	Direct Long	GK	Horizontal Pad	¾ x 7/8	9.5
75R81152	RD-5-11237-0P	4303	12	SD7H15	Direct	WH	Vertical Pad (U)	¾ x 7/8	9.5
75R81162	RD-5-11238-0P	4304, 4423	12	SD7H15	Direct Long	WJ	Vertical Pad	¾ x 7/8	9.5
75R81172	RD-5-11239-0P	4305	12	SD7H15	Ear	WJ	Vertical Pad	Pad	9.5
75R81184	RD-5-11240-0P	4468, 4604, 4656, 8107	24	SD7H15SHD	Ear	GK	Horizontal Pad	¾ x 7/8	9.5
75R81192	RD-5-11241-0P	4469, 4603	12	SD7H15	Ear	WJ	Vertical Pad	¾ x 7/8	9.5
75R81202	RD-5-11242-0P	4470, 4602	12	SD7H15	Direct Long	WH	Vertical Pad	¾ x 7/8	9.5
75R81212	RD-5-11243-0P	4429, 4472	12	SD7H15	Ear	GH	Horizontal Pad	¾ x 7/8	9.5
75R81232	RD-5-11244-0P	4430, 4473, 4819	12	SD7H15	Direct Long	GH	Horizontal Pad	¾ x 7/8	9.5
75R81252	RD-5-11245-0P	4474, 7804	12	SD7H15	Direct Long	WH	Vertical Pad (U)	¾ x 7/8	9.5
75R81262	RD-5-11247-0P	4431, 4477	12	SD7H15	Ear	MDA	Horizontal Tube-0	1" - 14	9.5
75R81274	RD-5-11248-0P	4479, 4640, 4658, 8109	24	SD7H15SHD	Ear	GK	Horizontal Pad	¾ x 7/8	9.5
75R81302	RD-5-11251-0P	4417, 4485	12	SD7H15	Direct Long	GH	Horizontal Pad	¾ x 7/8	9.5
75R81352	RD-5-11254-0P	4492, 4761	12	SD7H15	Direct Long	MDA	Horizontal Tube-0	1" - 14	9.5
75R81362	RD-5-11256-0P	4493, 4733, 4892	12	SD7H15	Direct	WV	Horizontal Pad	¾ x 7/8	9.5
75R81372	RD-5-11257-0P	4494, 4757, 4891	12	SD7H15	Direct Long	WV	Horizontal Pad	¾ x 7/8	9.5
75R81382	RD-5-11258-0P	4453, 4495	12	SD7H15	Ear	GV	Vertical Pad	1" - 14	9.5
75R81392	RD-5-11259-0P	4427, 4496, 4718	12	SD7H15	Ear	WJ	Vertical Pad	¾ x 7/8	9.5



CLUTCH VARIATIONS

Left to Right:

TWO "A" SECTION — Fits ½" Wide Belt

ONE VARIABLE GROOVE — Fits ½", 5/8" & ¾" Wide Belt

ONE "A" SECTION OVERHANG — Fits ½" Wide Belt

POLY V GROOVE

† Head Type = see photo reference on following pages

* R-12 Compressor

LS = Limited to stock on hand

SANDEN COMPRESSORS

COMPRESSOR

Clutch Type	Gauge Line	Connector Type	No. of Wires	Clutch Shaft Type	Sanden Clutch Part No.	Red Dot Clutch Part No.	Factory Clutch Part No.
6" (152mm) Poly 8	49mm	Female Weatherpak (IHC-Case)	1	Key	4795-9932		
5 1/4" (133mm) Poly 8	49mm	Cat OE	1	Key	4726-9931		
6" (152mm) Poly 8	49mm	Cat OE	1	Key	4840-9932		
4.7" (119mm) Poly 8	61mm	Delphi 15300003	3	Key	4417-9931		
4.9" (125mm) Poly 6	46mm	F5TB14A464-FA	2	Key RDA	4423-9931		
4.7" (119mm) Poly 8	46mm	Ford OE	2		4427-9931		
5 1/2" (138mm) A1 Groove	40mm	Cat OE	2	Key	4604-9931, 6506-6010		
5 1/4" (132mm) A2 Groove	40mm	Ford OE (Yazaki)	2	Key	4601-9931, 6504-6010	4601-9931, 6504-6010	RD-5-10369-0P
6 1/2" (169mm) A1 Groove	40mm	Ford OE	2	Key	6505-6010, 7739-9931		
5 1/4" (132mm) A2 Groove	40mm	Metripak	2	Key RDA	4428-9931	75R1852	RD-5-10761-0P
4.9" (125mm) Poly 6	46mm	Metripak	2	Key RDA	4424-9931		
4.7" (119mm) Poly 8	49.55mm	Ford OE (Yazaki)	2	Key	7731-9930		
4.7" (119mm) Poly 8	34mm	Metripak	2	Key RDA	4417-9931, 4705-9931, 4734-9931	75R1842	RD-5-10760-0P
6" (152mm) A1 Groove	40mm	Cat OE	2	Key	4640-9931		
4.7" (119mm) Poly 8	49mm	Metripak	2	Key RDA	4705-9931, 4417-9931, 4734-9931	75R1842	RD-5-10760-0P
4.9" (125mm) Poly 6	46mm	Metripak	2	Spline	4756-9931		
5 1/8" (130mm) Poly 8	44mm	Metripak	2	Key RDA	4733-9931, 4892-9931, 4895-9931	75R4802	RD-5-11837-0P
4.9" (125mm) Poly 6	46mm	Metripak	2	Key RDA	4757-9931, 4891-9931		
4.7" (119mm) Poly 8	34mm	Weatherpak	1	Key	4672-9931		
4.7" (119mm) Poly 8	34mm	Ford OE	2	Key	4427-9931, 7731-9930	75R1432	RD-5-10361-0P

Complete your compressor installation. Replace the receiver drier as per manufacturer's recommendation. Check all O-Rings and hoses. And use Red Dot's easy O-Ring Assortment Kit

70R5020

RD-5-9987-0P



SANDEN COMPRESSORS

COMPRESSOR

Red Dot Part No.	Factory Part No.	Sanden Part No.	Voltage	Sanden Model Type	Mount Type	Head Type †	Head Fitting Position	Head Fitting Size	Cubic Inches
75R81402	RD-5-11260-0P	4498, 4806, 4813	12	SD7H15SHD	Direct Long	KCA	Horizontal O-Ring	¾ x 7/8	9.5
75R81412	RD-5-11310-0P	4499, 4768	12	SD7H15SHD	Direct Long	MD	Horizontal Tube-0	1" - 14	9.5
75R81452	RD-5-11313-0P	4645	12	SD7H15	Ear	JDA	Vertical O-Ring	¾ x 7/8	9.5
75R81462	RD-5-11315-0P	4646	12	SD7H15	Ear	MDA	Horizontal Tube-0	1" - 14	9.5
75R81482	RD-5-11322-0P	4660	12	SD7H15	Ear	JDA	Vertical O-Ring	¾ x 7/8	9.5
75R81492	RD-5-11324-0P	4480, 4661	12	SD7H15SHD	Ear	KC	Horizontal O-Ring	¾ x 7/8	9.5
75R81502	RD-5-11326-0P	4667	12	SD7H15	Direct Long	KC	Horizontal O-Ring	¾ x 7/8	9.5
75R81512	RD-5-11328-0P	4672	12	SD7H15	Ear	MDA	Horizontal Tube-0	1" - 14	9.5
75R81532	RD-5-11330-0P	4699	12	SD7H15	Direct	JD	Vertical O-Ring	¾ x 7/8	9.5
75R81552	RD-5-11331-0P	4709	12	SD7H15	Ear	KG	Horizontal O-Ring	¾ x 7/8	9.5
75R81562	RD-5-11334-0P	4739	12	SD7H15	Ear	KG	Horizontal O-Ring	¾ x 7/8	9.5
75R81572	RD-5-11336-0P	4779	12	SD7H15	Ear	JD	Vertical O-Ring	¾ x 7/8	9.5
75R81582	RD-5-11337-0P	4780	12	SD7H15	Direct Long	JD	Vertical O-Ring	¾ x 7/8	9.5
75R81612	RD-5-11340-0P	4820	12	SD7H15	Ear	GH	Horizontal Pad	¾ x 7/8	9.5
75R81622	RD-5-12330-0P	4883	12	SD7H15HD	Direct	JD	Vertical O-Ring	¾ x 7/8	9.5
75R81632	RD-5-12332-0P	4040, 4425, 4792	12	SD7H15	Direct	GQ	Lateral Pad	Pad	9.5
75R81652	RD-5-11343-0P	4717, 4777, 4893	12	SD7H15	Ear	WV	Horizontal Pad	¾ x 7/8	9.5
75R81662	RD-5-12334-0P	4042, 4432, 4759	12	SD7H15	Direct	GQ	Lateral Pad	¾ x 7/8	9.5
75R81672	RD-5-11345-0P	4894	12	SD7H15	Direct Long	JD	Vertical O-Ring	¾ x 7/8	9.5
75R81682	RD-5-11346-0P	4895, 4700	12	SD7H15	Ear	KC	Horizontal O-Ring	¾ x 7/8	9.5
75R81692	RD-5-11347-0P	4896	12	SD7H15	Ear	JD	Vertical O-Ring	¾ x 7/8	9.5
75R81732	RD-5-11350-0P	4747	12	SD7H15	Ear	C	Vertical Tube-0	1" - 14	9.9

COMPRESSOR



CLUTCH VARIATIONS

Left to Right:

TWO "A" SECTION — Fits ½" Wide Belt

ONE VARIABLE GROOVE — Fits ½", 5/8" & ¾" Wide Belt

ONE "A" SECTION OVERHANG — Fits ½" Wide Belt

POLY V GROOVE

† Head Type = see photo reference on following pages

* R-12 Compressor

LS = Limited to stock on hand

CLUTCH

Clutch Type	Gauge Line	Connector Type	No. of Wires	Clutch Shaft Type	Sanden Clutch Part No.	Red Dot Clutch Part No.	Factory Clutch Part No.
5 1/4" (132mm) Poly 8	49mm	Cat OE	2	Key			
6" (152mm) Poly 8	49mm	Female Weatherpak (IHC-Case)	1	Key	4768-9932		
4.7" (119mm) Poly 7	36mm	Weatherpak	1	Key	4645-9931	75R0052	RD-5-10399-0P
5 1/4" (132mm) A2 Groove	40mm	Weatherpak	1	Key	6504-6310, 4647-9931		
4 3/4" (119mm) Poly 8	34mm	Female Weatherpak (IHC-Case)	1	Key	4660-9931, 4672-9931, 4895-9931		
5 1/2" (138mm) A1 Groove	40mm	Weatherpak	2	Key	6590-6210		
4.7" (119mm) Poly 8	61mm	Metripak	2	Key	4417-9931, 4667-9931	75R1842	RD-5-10760-0P
4.7" (119mm) Poly 8	46mm	Weatherpak	1	Key	4672-9931		
5 1/4" (132mm) A2 Groove	38mm	Metripak	2		6594-6010		
4.9" (125mm) A2 Groove	40mm	Female Weatherpak plus jumper	1	Key	4647-9931, 6560-6010		
4.7" (119mm) Poly 8	34mm	Metripak	2	Key	4776-9931		
4.9" (125mm) A2 Groove	40mm	HD 280 series	1	Spline	4779-9931		
5 1/4" (132mm) A2 Groove	55mm	HD 280 series	1	Spline	4780-9931		
4.7" (119mm) Poly 8	34mm	Metripak	2	Key	4734-9931, 4705-9931, 4417-9931	75R1842	RD-5-10760-0P
4.9" (125mm) Poly 6	46mm	Metripak	2	Key	4606-9630, 4424-9931		
4.9" (125mm) Poly 6	46mm	Metripak	2	Key	4424-9931		
5 1/4" (132mm) A2 Groove	40mm	Metripak	2	Key	4694-9931, 4777-9931, 4896-9931, 6594-6010	75R1832	RD-5-10759-0P
4.7" (119mm) Poly 8	49mm	Metripak	2	Spline	4417-9931	75R1842	RD-5-10760-0P
5 1/4" (132mm) A2 Groove	55mm	Metripak w HD 280 series	1	Key RDA	4694-9931, 4896-9931		
5 1/8" (130mm) Poly 8	34mm	Metripak w HD 280 series	1	Key RDA	4781-9931, 4895-9931		
4.9" (125mm) A2 Groove	40mm	Metripak w HD 280 series	1	Key RDA	4896-9931, 4779-9931		
6 1/4" (158mm) A1 Groove	40mm	Metripak	2	Key			

Complete your compressor installation. Replace the receiver drier as per manufacturer's recommendation. Check all O-Rings and hoses. And use Red Dot's easy O-Ring Assortment Kit

70R5020

RD-5-9987-0P



SANDEN COMPRESSORS

COMPRESSOR

Red Dot Part No.	Factory Part No.	Sanden Part No.	Voltage	Sanden Model Type	Mount Type	Head Type †	Head Fitting Position	Head Fitting Size	Cubic Inches
75R81762	RD-5-11356-0P	4490	12	SD7H15	Ear	WV	Horizontal Pad	¾ x 7/8	9.5
75R82102	RD-5-10307-0P	5072	12	SD5H09	Ear	FL	Vertical O-Ring	¾ x 7/8	5.5
75R82132	RD-5-10310-0P	5080	12	SD505	Ear	C	Vertical Tube-0	1" - 14	5
75R82142	RD-5-10493-0P	5077	12	SD5H09	Ear	K	Horizontal O-Ring	¾ x 7/8	5.5
75R82312	RD-5-13062-0P	4075	12	SD7H15SHD	Direct	GH	Horizontal Pad	¾ x 7/8	9.5
75R83112	RD-5-10283-0P	7803	12	SD7H15	Ear	QD	Horizontal Pad (QB)	M10	9.5
75R83132	RD-5-10284-0P	4542, 4618	12	SD7H15	Ear	SJA	Horizontal Pad	Pad (QB)	9.5
75R83152	RD-5-10288-0P	4508, 6656, 4296U1	12	SD7H15	Ear	JD	Vertical O-Ring	¾ x 7/8	9.5
75R8332	RD-5-9088-0P	4536, 6630, 6676, 4272	12	SD5H14	Ear	K	Horizontal O-Ring	¾ x 7/8	8.4
75R8354	RD-5-8680-0P	4537, 6634, 4269	24	SD7H15	Ear	KG	Horizontal O-Ring	¾ x 7/8	9.5
75R8372	RD-5-7090-0P	4515, 6673, 4746	12	SD7H15	Ear	JD	Vertical O-Ring	¾ x 7/8	9.5
75R8374	RD-5-7091-0P	4516, 6672	24	SD5H14-HD	Ear	FL	Vertical O-Ring	¾ x 7/8	8.4
75R8382	RD-5-7088-0P	4510, 4664, 6664, 4639, 4644, 8104	12	SD7H15	Ear	JDA	Vertical O-Ring	¾ x 7/8	9.5
75R8384	RD-5-7089-0P	4506, 4507, 6627, 6665, 4271	24	SD7H15	Ear	JD	Vertical O-Ring	¾ x 7/8	9.5
75R84112	RD-5-10259-0P	4478, 4609	12	SD7H15SHD	Ear	MD	Horizontal Tube-0	1" - 14	9.5
75R84114	RD-5-11161-0P	4489, 4611	24	SD7H15SHD	Ear	MD	Horizontal Tube-0	1" - 14	9.5
75R84132	RD-5-10261-0P	4497, 4704	12	SD7H15	Ear	SJ	Horizontal Pad	Pad	9.5
75R84152	RD-5-10303-0P	4687	12	SD7H15	Direct Long	CBA	Vertical Tube-0	1" - 14	9.5
75R84172	RD-5-10263-0P	4471, 4735	12	SD7H15	Ear	MDA	Horizontal Tube-0	1" - 14	9.5
75R84182	RD-5-10264-0P	4488, 4736	12	SD7H15	Ear	JDA	Vertical O-Ring	¾ x 7/8	9.5

COMPRESSOR



CLUTCH VARIATIONS

Left to Right:

TWO "A" SECTION — Fits ½" Wide Belt

ONE VARIABLE GROOVE — Fits ½", 5/8" & ¾" Wide Belt

ONE "A" SECTION OVERHANG — Fits ½" Wide Belt

POLY V GROOVE

† Head Type = see photo reference on following pages

* R-12 Compressor

LS = Limited to stock on hand

CLUTCH

Clutch Type	Gauge Line	Connector Type	No. of Wires	Clutch Shaft Type	Sanden Clutch Part No.	Red Dot Clutch Part No.	Factory Clutch Part No.
5 1/8" (130mm) Poly 8	34mm	Metripak	2	Key	4700-9931	75R4802	RD-5-11837-0P
4.9" (125mm) A2 Groove	37mm	Bullet	1	Key	0669-6010, 9053-9841		
4.9" (125mm) Variable Groove	39mm	Bullet	1		0750-6010		
4.9" (125mm) A2 Groove	37mm	Bullet	1	Key	8543-6310, 9053-9841		
4.7" (119mm) Poly 8	49mm	Metripak	2	Key			
4.9" (125mm) A2 Groove	40mm	Metripak	2	Key	7803-9931		
4.7" (119mm) Poly 7	36mm	Metripak (T&B)	2	Key	4618-9931		
4.9" (125mm) Poly 10	35mm	Bullet	1	Key	6518-6010		
5 1/4" (132mm) A2 Groove	40mm	Bullet	1	Key	6519-6010	75R0202	RD-5-5486-0P
5 1/4" (132mm) A2 Groove	40mm	Bullet	1	Key	6519-6210	75R0204	RD-5-5487-0P
6 1/4" (158mm) Variable Groove	40mm	Bullet	1	Key	6521-6010		
6 1/4" (158mm) Variable Groove	40mm	Bullet	1	Key	6521-6010, 6521-6210		RD-5-5488-0P
5 1/4" (132mm) A2 Groove	40mm	Female Weatherpak (IHC-Case)	1	Key	4647-9931, 6511-6210		
5 1/4" (132mm) A2 Groove	40mm	Bullet	1	Key	6519-6210	75R0204	RD-5-5487-0P
6" (152mm) A2 Groove	40mm	Female Weatherpak (IHC-Case)	1	Key	4609-9931, 6510-6010		
6" (152mm) A2 Groove	40mm	Female Weatherpak (IHC-Case)	1	Key	4611-9931		
5 1/4" (132mm) A2 Groove	40mm	Ford OE (Yazaki)	2	Key	4704-9931	75R1542	RD-5-10369-0P
4.9" (125mm) Poly 6	46mm	Weatherpak	1	Key	4687-9931, 6571-6010		
5 1/4" (132mm) A2 Groove	40mm	Metripak	2	Key	4428-9931, 4752-9931	75R1852	RD-5-10761-0P
5 1/4" (132mm) A2 Groove	40mm	Metripak	2	Key	4428-9931, 4752-9931	75R1852	RD-5-10761-0P

Complete your compressor installation. Replace the receiver drier as per manufacturer's recommendation. Check all O-Rings and hoses. And use Red Dot's easy O-Ring Assortment Kit

70R5020

RD-5-9987-0P



SANDEN COMPRESSORS

COMPRESSOR

Red Dot Part No.	Factory Part No.	Sanden Part No.	Voltage	Sanden Model Type	Mount Type	Head Type †	Head Fitting Position	Head Fitting Size	Cubic Inches
75R84192	RD-5-10265-0P	4491, 4699, 4752	12	7H15	Direct Long	JD	Vertical O-Ring	¾ x 7/8	9.5
75R84212	RD-5-10266-0P	4475, 4756	12	SD7H15	Direct Long	CBA	Vertical Tube-0	1" - 14	9.5
75R8422	RD-5-7120-0P	4627	12	SD7H15	Ear	JD	Vertical O-Ring	¾ x 7/8	9.5
75R84232	RD-5-10267-0P	4776, 4421	12	SD7H15	Direct Long	MDA	Horizontal Tube-0	1" - 14	9.5
75R8424	RD-5-7124-0P	4652	24	SD7H15	Ear	JD	Vertical O-Ring	¾ x 7/8	9.5
75R84292	RD-5-10273-0P	4039, 4424, 4731	12	SD7H15	Direct Long	GSA	Lateral Pad	¾ x 7/8	9.5
75R84312	RD-5-10274-0P	4433, 4484, 4740	12	SD7H15	Ear	JDA	Vertical O-Ring	¾ x 7/8	9.5
75R8432	RD-5-7522-0P	4626, 4695	12	SD7H15	Direct Long	JDA	Vertical O-Ring	¾ x 7/8	9.5
75R84352	RD-5-10275-0P	4810	12	SD7H15	Direct Long	WJ	Vertical Pad	¾ x 7/8 Female	9.5
75R84362	RD-5-10276-0P	4694	12	SD7H15	Ear	JD	Vertical O-Ring	¾ x 7/8	9.5
75R84382	RD-5-10278-0P	4715, 4890	12	SD7H15	Direct Long	WV	Horizontal Pad	¾ x 7/8	9.5
75R8442	RD-5-7373-0P	7819	12	SD7H15	Ear	MD	Horizontal Tube-0	1" - 14	9.5
75R84452	RD-5-10282-0P	4823	12	SD7H15	Direct	KC	Horizontal O-Ring	¾ x 7/8	9.5
75R84472	RD-5-10285-0P	4666	12	SD7H15	Direct Long	KC	Horizontal O-Ring	¾ x 7/8	9.5
75R84482	RD-5-10286-0P	4659	12	SD7H15	Ear	KC	Horizontal O-Ring	¾ x 7/8	9.5
75R84492	RD-5-10287-0P	4663	12	SD7H15	Ear	JD	Vertical O-Ring	¾ x 7/8	9.5
75R84512	RD-5-10290-0P	4628, 8105	12	SD7H15	Direct Long	JD	Vertical O-Ring	¾ x 7/8	9.5
75R84522	RD-5-6919-0P	4637	12	SD7H15SHD	Ear	KC	Horizontal O-Ring	¾ x 7/8	9.5
75R84532	RD-5-10291-0P	4617	12	SD7H15SHD	Ear	MD	Horizontal Tube-0	1" - 14	9.5
75R8454	RD-5-10725-0P	4745	24	SD7H15HD	Ear	JD	Vertical O-Ring	¾ x 7/8	9.5

COMPRESSOR



CLUTCH VARIATIONS

Left to Right:

TWO "A" SECTION — Fits ½" Wide Belt

ONE VARIABLE GROOVE — Fits ½", 5/8" & ¾" Wide Belt

ONE "A" SECTION OVERHANG — Fits ½" Wide Belt

POLY V GROOVE

† Head Type = see photo reference on following pages

* R-12 Compressor

LS = Limited to stock on hand

CLUTCH

Clutch Type	Gauge Line	Connector Type	No. of Wires	Clutch Shaft Type	Sanden Clutch Part No.	Red Dot Clutch Part No.	Factory Clutch Part No.
5 1/4" (132mm) A2 Groove	55mm	Metripak	2	Key	4428-9931, 4752-9931	75R1852	RD-5-10761-0P
4.9" (125mm) Poly 6	46mm	Metripak	2	Spline	4756-9931		
4.9" (125mm) A2 Groove	40mm	HD 280 series	1	Key	4627-9931, 4896-9931, 4779-9931, 6511-6110		
4.7" (119mm) Poly 8	49mm	Metripak	2	Spline	4776-9931		
4.9" (125mm) A2 Groove	40mm	HD 280 series	1	Key	6511-6310	75R0194	RD-5-7832-0P
4.9" (125mm) Poly 6	46mm	Metripak	2	Spline	4756-9931		
4.9" (125mm) A2 Groove	40mm	Metripak	2	Spline	4740-9931		
5 1/4" (132mm) A2 Groove	55mm	HD 280 series	1	Key	4626-9931, 4780-9931, 4896-9931, 6511-6010		
4.9" (125mm) Poly 6	46mm	Ford OE	2	Long Spline	4810-9931		
5 1/4" (132mm) A2 Groove	40mm	Metripak	2	Key	4694-9931, 4896-9931, 6594-6010		
5 1/4" (132mm) A2 Groove	55mm	Metripak	2	Key RDA	4694-9931, 4896-9931, 6594-6010	75R1852	RD-5-10761-0P
4.9" (125mm) A2 Groove	40mm	Bullet	1	Key	6560-6010	75R0192	RD-5-7831-0P
5 1/8" (130mm) Poly 8	44mm	HD 280 series	1	Spline	4781-9931		
4.7" (119mm) Poly 8	49mm	Bullet	1	Key	6522-6010	75R1862	RD-5-10762-0P
5 1/8" (130mm) Poly 8	34mm	HD 280 series	1	Key	4659-9931, 4895-9931		
4.9" (125mm) A2 Groove	40mm	Bullet	1	-	6560-6010		
4.7" (119mm) Poly 6	62mm	Bullet	1	Key	6516-6010	75R0032	RD-5-10398-0P
5 1/4" (133mm) Poly 8	34mm	Metripak (Male 280 series)	2	Key	6586-6010		
5 1/4" (132mm) A2 Groove	40mm	Bullet	1	Key	4617-9931, 6585-6010		
6 1/4" (158mm) Variable Groove	40mm	Bullet	1	Spline			

Complete your compressor installation. Replace the receiver drier as per manufacturer's recommendation. Check all O-Rings and hoses. And use Red Dot's easy O-Ring Assortment Kit

70R5020

RD-5-9987-0P



SANDEN COMPRESSORS

COMPRESSOR

Red Dot Part No.	Factory Part No.	Sanden Part No.	Voltage	Sanden Model Type	Mount Type	Head Type †	Head Fitting Position	Head Fitting Size	Cubic Inches
75R84552	RD-5-10292-0P	4643	12	SD7H15	Ear	CB	Vertical O-Ring	1" - 14	9.5
75R84562	RD-5-10294-0P	4641	12	SD7H15	Direct	MD	Horizontal O-Ring	1" - 14	9.5
75R84572	RD-5-10295-0P	4665	12	SD7H15	Ear	JD	Vertical O-Ring	¾ x 7/8	9.5
75R84592	RD-5-11220-0P	4608, 4657, 8108	12	SD7H15SHD	Ear	GK	Horizontal Pad	¾ x 7/8	9.5
75R84594	RD-5-10260-0P	4487, 4726	24	SD7H15SHD	Ear	GK	Horizontal Pad	¾ x 7/8	9.5
75R8462	RD-5-9251-0P	4711, 8103	12	SD7H15	Ear	JD	Vertical O-Ring	¾ x 7/8	9.5
75R84622	RD-5-10738-0P	4822	12	SD7H15	Direct Long	JDA	Vertical O-Ring	¾ x 7/8	9.5
75R84632	RD-5-10737-0P	4306, 4428	12	SD7H15	Direct Long	KCA	Horizontal O-Ring	¾ x 7/8	9.5
75R8464	RD-5-9458-0P	4762	24	SD7H15	Ear	JD	Vertical O-Ring	¾ x 7/8	9.5
75R84654	RD-5-9319-0P	4742	24	SD7H15	Ear	KG	Horizontal O-Ring	¾ x 7/8	9.5
75R84662	RD-5-11002-0P	4712	12	SD7H15	Ear	KG	Horizontal O-Ring	¾ x 7/8	9.5
75R84672	RD-5-13071-0P	4060	12	SD7H15	Direct	JD	Vertical O-Ring	¾ x 7/8	9.5
75R84684	RD-5-12179-0P	4409	24	SD7H15	Ear	JD	Vertical O-Ring	¾ x 7/8	9.5
75R8772	RD-5-12523-0P	4041, 4426, 4696	12	SD7H15	Ear	GQ	Lateral Pad	Pad	9.5
75R89302	RD-5-10885-0P	4420	12	7H15 FLX7	Direct Long	GV	Horizontal Pad	¾ x 7/8	9.5
75R89312	RD-5-10886-0P	4860	12	7H15 FLX7	Ear	GV	Horizontal Pad	¾ x 7/8	9.5
75R89334	RD-5-10888-0P	4862	24	7H15 FLX7	Ear	GV	Horizontal Pad	¾ x 7/8	9.5
75R89352	RD-5-10890-0P	4737, 4864	12	7H15 FLX7	Ear	GV	Horizontal Pad	¾ x 7/8	9.5
75R89354	RD-5-10892-0P	4866	24	7H15 FLX7	Ear	GV	Horizontal Pad	¾ x 7/8	9.5
75R89372	RD-5-10893-0P	4868	12	7H15 FLX7	Ear	GV	Horizontal Pad	¾ x 7/8	9.5
75R89374	RD-5-10895-0P	4870	24	7H15 FLX7	Ear	GV	Horizontal Pad	¾ x 7/8	9.5

COMPRESSOR



CLUTCH VARIATIONS

Left to Right:

TWO "A" SECTION — Fits ½" Wide Belt

ONE VARIABLE GROOVE — Fits ½", 5/8" & ¾" Wide Belt

ONE "A" SECTION OVERHANG — Fits ½" Wide Belt

POLY V GROOVE

† Head Type = see photo reference on following pages

* R-12 Compressor

LS = Limited to stock on hand

CLUTCH

Clutch Type	Gauge Line	Connector Type	No. of Wires	Clutch Shaft Type	Sanden Clutch Part No.	Red Dot Clutch Part No.	Factory Clutch Part No.
5 1/4" (132mm) A2 Groove	36mm	Bullet	1	Key	4645-9931		
4.7" (119mm) Poly 6	55mm	Bullet	1	Key			
4.7" (119mm) Poly 7	36mm	Weatherpak	1	Key	6512-6210		
5 1/2" (138mm) A1 Groove	40mm	Cat OE	2	Key	4608-9930, 4608-9932, 6506-6110		
5 1/4" (133mm) Poly 8	34mm	Cat OE	1	Key	4726-9931		
4.7" (119mm) Poly 8	34mm	Bullet	1	Key	6522-6010	75R1862	RD-5-10762-0P
4.7" (119mm) Poly 8	49mm	Metripak	2	Key	4417-9931, 4705-9931, 4734-9931	75R1842	RD-5-10760-0P
5 1/4" (132mm) A2 Groove	55mm	Metripak	2	Key RDA	4428-9931	75R1852	RD-5-10761-0P
4.7" (119mm) Poly 8	47mm	Bullet	1	Key	4762-9931		
4.9" (125mm) A2 Groove	40mm	HD plug	1	Key			
4.7" (119mm) Poly 8	46mm	Bullet	1	Key	6522-6010	75R1862	RD-5-10762-0P
4.7" (119mm) Poly 8	49mm	Metripak	2				
6" (152mm) A2 Groove	40mm		1	Key			
4.9" (125mm) A2 Groove	40mm	Metripak	2	Key	6593-6010, 4695-9931, 4426-9931	75R1532	RD-5-10368-0P
4.7" (119mm) Poly 8	49mm	Female Weatherpak plus jumper	1	Key	4420-9931	75R1862	RD-5-10762-0P
4.9" (125mm) A2 Groove	40mm	Female Weatherpak plus jumper	1	Key	4713-9930	75R0192	RD-5-7831-0P
4.9" (125mm) A2 Groove	40mm	Female Weatherpak plus jumper	1	Key	4862-9931		
4.7" (119mm) Poly 8	34mm	Female Weatherpak plus jumper	1	Key	4420-9931		
4.7" (119mm) Poly 8	34mm	Female Weatherpak plus jumper	1	Key	4866-9931		
6 1/4" (158mm) Variable Groove	40mm	Female Weatherpak plus jumper	1	Key	4868-9930		
6 1/4" (158mm) Variable Groove	40mm	Female Weatherpak plus jumper	1	Key	4870-9930		

Complete your compressor installation. Replace the receiver drier as per manufacturer's recommendation. Check all O-Rings and hoses. And use Red Dot's easy O-Ring Assortment Kit

70R5020

RD-5-9987-0P



SANDEN COMPRESSORS

COMPRESSOR

Red Dot Part No.	Factory Part No.	Sanden Part No.	Voltage	Sanden Model Type	Mount Type	Head Type †	Head Fitting Position	Head Fitting Size	Cubic Inches
75R89382	RD-5-10894-0P	4869	12	SD7H15	Ear	GV	Horizontal Pad	¾ x 7/8	9.5
75R89384*	RD-5-10896-0P	4871	24	7H15 FLX7	Ear	GV	Horizontal Pad	¾ x 7/8	9.5
75R89392	RD-5-10897-0P	4872	12	7H15 FLX7	Ear	GV	Horizontal Pad	¾ x 7/8	9.5
75R89394	RD-5-11013-0P	4448	24	7H15 FLX7	Ear	GV	Horizontal Pad	¾ x 7/8	9.5
75R89422	RD-5-10899-0P	4434	12	7H15 FLX7	Ear	GV	Horizontal Pad	¾ x 7/8	9.5
75R89424	RD-5-10900-0P	4435	24	7H15 FLX7	Ear	GV	Horizontal Pad	¾ x 7/8	9.5
75R89432	RD-5-11005-0P	4874	12	7H15 FLX7	Ear	GV	Horizontal Pad	¾ x 7/8	9.5
75R89462	RD-5-11006-0P	4419	12	7H15 FLX7	Direct Long	GV	Horizontal Pad	¾ x 7/8	9.5
75R89474	RD-5-11009-0P	4877	24	7H15 FLX7	Ear	GV	Horizontal Pad	¾ x 7/8	9.5
75R89484	RD-5-11010-0P	4881	24	7H15 FLX7	Ear	GV	Horizontal Pad	¾ x 7/8	9.5
75R89492	RD-5-12550-0P	4080	12	SD7H15	Direct	GQ	Lateral Pad	Pad	9.5
75R89502	RD-5-13207-0P	4077	12	SD7H15	Direct	GQ	Lateral Pad	Pad	9.5
75R89522	RD-5-13209-0P	4079	12	SD7H15	Direct	GSA	Lateral Pad	¾ x 7/8	9.5
75R89532	RD-5-13210-0P	4078	12	SD7H15	Direct	GQ	Lateral Pad	Pad	9.5
75R89562	RD-5-13213-0P	1027K8	12	SE7H15	Direct	GQ	Lateral Pad	Pad	9.5
75R89572	RD-5-13214-0P	1027U3	12	SE7H15	Direct	GQ	Lateral Pad	Pad	9.5
75R89602	RD-5-13226-0P	4089	12	7H15SHD	Ear	GQ	Lateral Pad	Pad	9.5
75R89612	RD-5-14093-0P	4119	12v	7H15	Direct	WH	Vertical Pad	¾ x 7/8	9.5
75R89652	RD-5-14655-0P	4081	12v	7H15SHD	Direct	GSA	Vertical Pad	Pad	9.5

COMPRESSOR



CLUTCH VARIATIONS

Left to Right:

TWO "A" SECTION — Fits ½" Wide Belt

ONE VARIABLE GROOVE — Fits ½", 5/8" & ¾" Wide Belt

ONE "A" SECTION OVERHANG — Fits ½" Wide Belt

POLY V GROOVE

† Head Type = see photo reference on following pages

* R-12 Compressor

LS = Limited to stock on hand

CLUTCH

Clutch Type	Gauge Line	Connector Type	No. of Wires	Clutch Shaft Type	Sanden Clutch Part No.	Red Dot Clutch Part No.	Factory Clutch Part No.
6 1/4" (158mm) Variable Groove		Female Weatherpak plus jumper	1		4868-9930		
6 1/4" (158mm) Variable Groove	40mm	Female Weatherpak plus jumper	1	Key	4870-9930		
4.9" (125mm) Poly 10	35mm	Female Weatherpak plus jumper	1	Key	4872-9930		
5 1/4" (132mm) A2 Groove	40mm	Female Weatherpak plus jumper	1		4435-9931		
5 1/4" (132mm) A2 Groove	40mm	Female Weatherpak plus jumper	1	Key	4434-9931		
5 1/4" (132mm) A2 Groove	40mm	Female Weatherpak plus jumper	1		4435-9931		
5 1/4" (133mm) Poly 8 with dust cover	33mm	Female Weatherpak plus jumper	1	Key	4874-9932		
4.9" (125mm) A2 Groove	39mm	Female Weatherpak plus jumper	1	Key	4713-9930	75R0192	RD-5-7831-0P
5 1/2" (138mm) A1 Groove	40mm	Female Weatherpak plus jumper	1	Key	4877-9932		
6" (152mm) A2 Groove	40mm	Female Weatherpak plus jumper	1	Key	4881-9930		
4.9" (125mm) Poly 6	46mm	Metripak	2				
4.7" (119mm) Poly 8	49mm	Metripak	2	Key			
4.9" (125mm) Poly 6	56mm	Metripak	2	Key			
4.9" (126mm) Poly 12	56mm	Metripak	2	Key			
4.7" (119mm) Poly 8	48mm	Metripak	2	Key	4417-9931		
4.9" (125mm) Poly 6	45mm	Delphi 15300002	2	Spline	4424-9931		
4.9" (125mm) A2 Groove	24mm	Metripak	2				
4.9" (125mm) Poly 6	55mm	Metripak	2	Key			
4.7" (119mm) Poly 8		Metripak	2	Key			

Complete your compressor installation. Replace the receiver drier as per manufacturer's recommendation. Check all O-Rings and hoses. And use Red Dot's easy O-Ring Assortment Kit

70R5020

RD-5-9987-0P



SANDEN COMPRESSORS

COMPRESSOR

Red Dot Part No.	Factory Part No.	Sanden Part No.	Voltage	Sanden Model Type	Mount Type	Head Type †	Head Fitting Position	Head Fitting Size	Cubic Inches
75R89662	RD-5-14656-0P	4090	12v	7H15SHD	Direct	KCA	Horizontal O-Ring	¾ x 7/8	9.5
75R89672	RD-5-14658-0P	4105U	12v	7H15HD	Direct	MD	Horizontal O-Ring	1 x 14	9.5
75R89692	RD-5-14660-0P	4109U	12v	7H15SHD	Direct	MD	Horizontal O-Ring	1 x 14	9.5
75R89722	RD-5-14663-0P	4121U	12v	7H15HD	Direct	KF			9.5
75R89732	RD-5-14664-0P	6372	12v	5H14HD	Ear	FL	Vertical O-Ring	¾ x 7/8	8.4
75R89744	RD-5-14665-0P	8144	24v	7H15HD	Direct	MD	Horizontal O-Ring	1 x 14	9.5
75R89742	RD-5-14666-0P	8174	12v	7H15HD	Direct	MD	Horizontal O-Ring	1 x 14	9.5
75R89304	RD-5-15719-0P	4327	24v	FLX7	Direct	GV	Horizontal Pad	¾ x 7/8	9.5
75R9892	RD-5-16205-0P	4732U1	12v	7H15SHD	Direct	4670	Horizontal Pad	¾ x 7/8	9.5
75R89842	RD-5-16210-0P	4577	12v	7H15SHD	Direct				9.5

COMPRESSOR



CLUTCH VARIATIONS

Left to Right:

TWO "A" SECTION — Fits ½" Wide Belt

ONE VARIABLE GROOVE — Fits ½", 5/8" & ¾" Wide Belt

ONE "A" SECTION OVERHANG — Fits ½" Wide Belt

POLY V GROOVE

† Head Type = see photo reference on following pages

* R-12 Compressor

LS = Limited to stock on hand

CLUTCH

Clutch Type	Gauge Line	Connector Type	No. of Wires	Clutch Shaft Type	Sanden Clutch Part No.	Red Dot Clutch Part No.	Factory Clutch Part No.
4.7" (119mm) Poly 8		Metripak	2	Key			
6" (152mm) Poly 4	44.66mm	Weatherpak	1	Key			
6" (152mm) Poly 8		Metripak	2	Key			
4.7" (119mm) Poly 8		Weatherpak	2	Key			
5.5" (140mm) Poly 4		Weatherpak	1	Key			
4.7" (119mm) Poly 8	27mm	Weatherpak	1	Key			
5.3" (135mm) A groove	49.55mm	Weatherpak	1	Key			
4.7" (119mm) Poly 8	49mm	Weatherpak	1				
7" (180mm) Poly 8	31.6mm	Metripak	2				
4.9" (125mm) Poly 7		Metripak	2				

Complete your compressor installation. Replace the receiver drier as per manufacturer's recommendation. Check all O-Rings and hoses. And use Red Dot's easy O-Ring Assortment Kit

70R5020

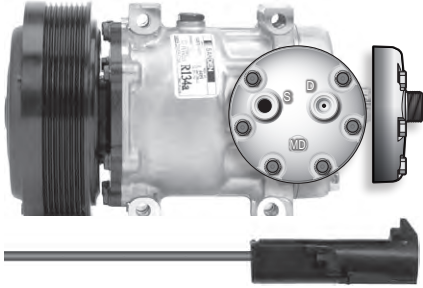
RD-5-9987-0P



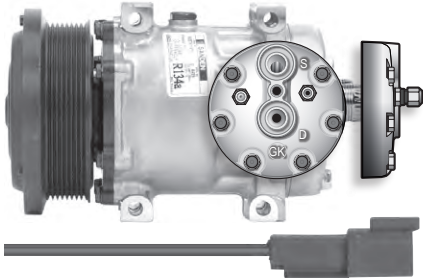
SANDEN COMPRESSORS

COMPRESSOR

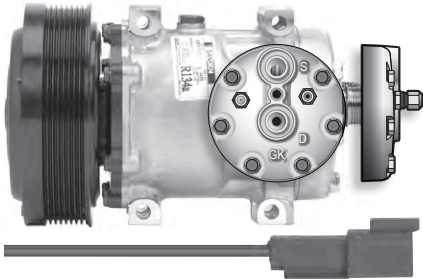
75R81104 RD-5-11234-0P
Model: 7H15SHD **Head:** MD **Voltage:** 24
Mount: Direct **Sanden:** 4300, 4795
Clutch: 6" (152mm) Poly 8 **R134a**



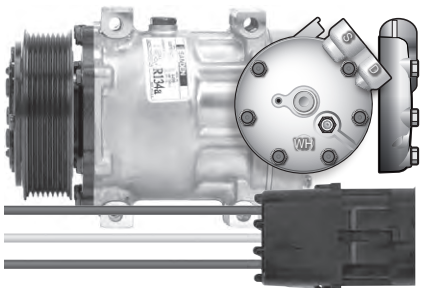
75R81114 RD-5-11235-0P
Model: 7H15SHD **Head:** GK **Voltage:** 24
Mount: Direct **Sanden:** 4301, 4769
Clutch: 5 1/4" (133mm) Poly 8 **R134a**



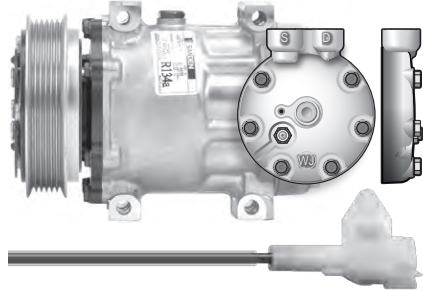
75R81134 RD-5-11236-0P
Model: 7H15SHD **Head:** GK **Voltage:** 24
Mount: Direct **Sanden:** 4302, 4840
Clutch: 6" (152mm) Poly 8 **R134a**



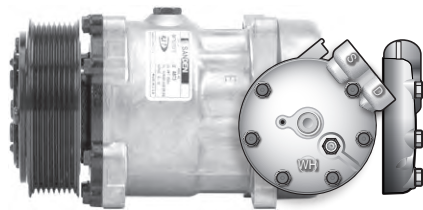
75R81152 RD-5-11237-0P
Model: 7H15 **Head:** WH **Voltage:** 12
Mount: Direct **Sanden:** 4303, 4422
Clutch: 4.7" (119mm) Poly 8 **R134a**



75R81162 RD-5-11238-0P
Model: 7H15 **Head:** WJ **Voltage:** 12
Mount: Direct **Sanden:** 4304, 4423
Clutch: 4.9" (125mm) Poly 6 **R134a**

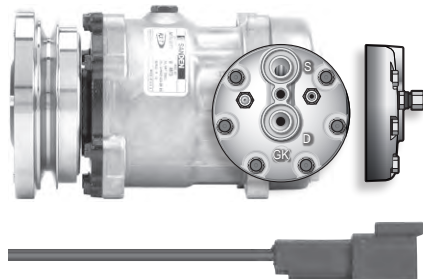


75R81172 RD-5-11239-0P
Model: SD7H15 **Head:** WJ **Voltage:** 12
Mount: Ear **Sanden:** 4305
Clutch: 4.7" (119mm) Poly 8 **R-134a**

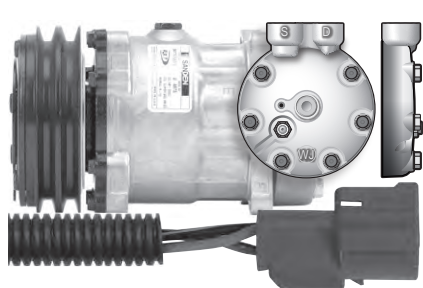


No photo of plug available

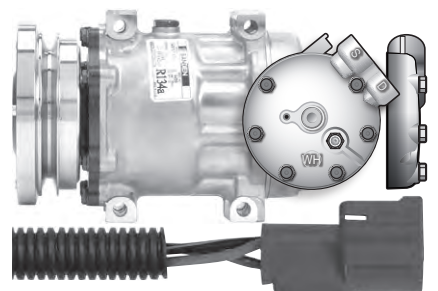
75R81184 RD-5-11240-0P
Model: 7H15SHD **Head:** GK **Voltage:** 24
Mount: Ear **Sanden:** 4468, 4604, 4656, 8107
Clutch: 5 1/2" (138mm) A1 Groove - Sealed **R134a**



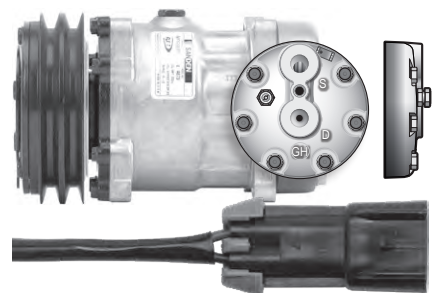
75R81192 RD-5-11241-0P
Model: 7H15 **Head:** WJ **Voltage:** 12
Mount: Ear **Sanden:** 4469, 4603
Clutch: 5 1/4" (132mm) A2 Groove **R134a**



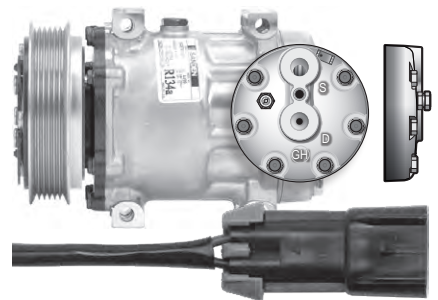
75R81202 RD-5-11242-0P
Model: 7H15 **Head:** WH **Voltage:** 12
Mount: Direct **Sanden:** 4602
Clutch: 6 1/2" (169mm) A1 Groove - Sealed **R134a**



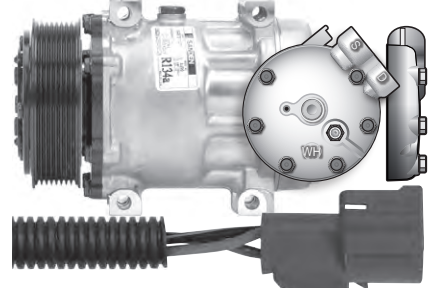
75R81212 RD-5-11243-0P
Model: 7H15 **Head:** GH **Voltage:** 12
Mount: Ear **Sanden:** 4429, 4472
Clutch: 5 1/4" (132mm) A2 Groove **R134a**



75R81232 RD-5-11244-0P
Model: 7H15 **Head:** GH **Voltage:** 12
Mount: Direct **Sanden:** 4430, 4473
Clutch: 4.9" (125mm) Poly 6 **R134a**



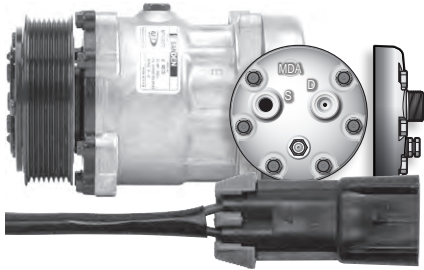
75R81252 RD-5-11245-0P
Model: 7H15 **Head:** WH **Voltage:** 12
Mount: Direct **Sanden:** 4474, 7804
Clutch: 4.7" (119mm) Poly 8 **R134a**



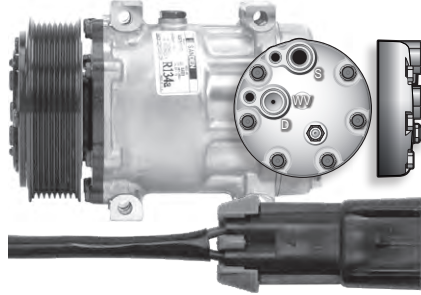
LS = Limited to stock on hand

SANDEN COMPRESSORS

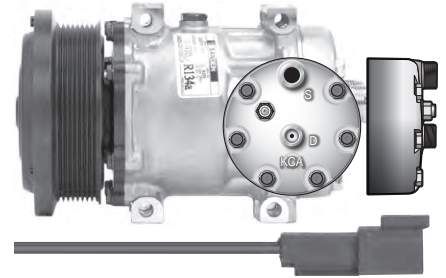
75R81262 RD-5-11247-0P
Model: 7H15HD **Head:** MDA **Voltage:** 12
Mount: Ear **Sanden:** 4431, 4477
Clutch: 4.7" (119mm) Poly 8 **R134a**



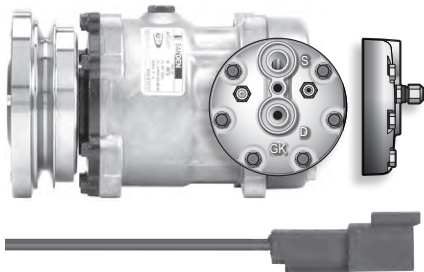
75R81362 RD-5-11256-0P
Model: 7H15HD **Head:** WV **Voltage:** 12
Mount: Direct **Sanden:** 4493, 4733, 4892
Clutch: 5 1/8" (130mm) Poly 8 **R134a**



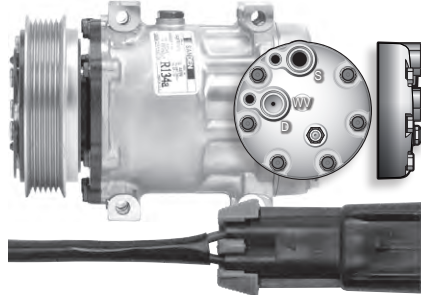
75R81402 RD-5-11260-0P
Model: 7H15SHD **Head:** KCA **Voltage:** 12
Mount: Direct **Sanden:** 4498, 4806, 4813
Clutch: 5 1/4" (132mm) Poly 8 **R134a**



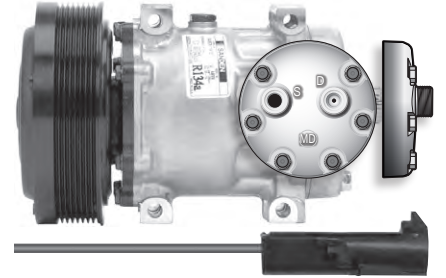
75R81274 RD-5-11248-0P
Model: 7H15SHD **Head:** GK **Voltage:** 24
Mount: Ear **Sanden:** 4479, 4640, 4658, 8109
Clutch: 6" (152mm) A1 Groove - Sealed **R134a**



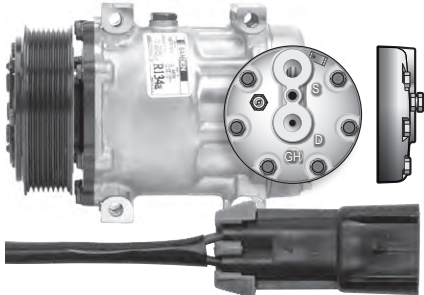
75R81372 RD-5-11257-0P
Model: 7H15HD **Head:** WV **Voltage:** 12
Mount: Direct **Sanden:** 4494, 4757, 4891
Clutch: 4.9" (125mm) Poly 6 **R134a**



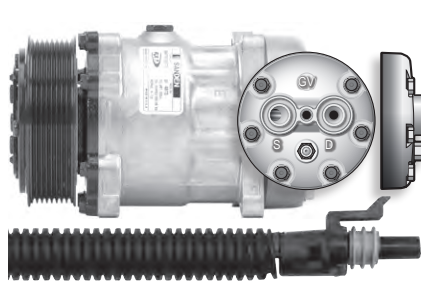
75R81412 RD-5-11310-0P
Model: 7H15SHD **Head:** MD **Voltage:** 12
Mount: Direct **Sanden:** 4499, 4768, 4435
Clutch: 6" (152mm) Poly 8 **R134a**



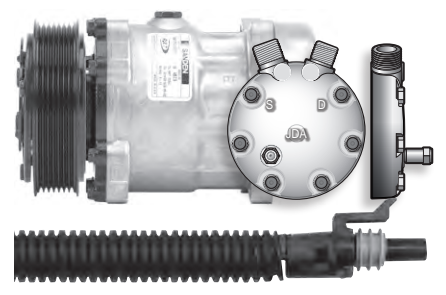
75R81302 RD-5-11251-0P
Model: 7H15 **Head:** GH **Voltage:** 12
Mount: Direct **Sanden:** 4417, 4485
Clutch: 4.7" (119mm) Poly 8 **R134a**



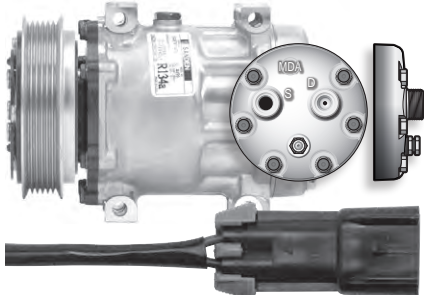
75R81382 RD-5-11258-0P
Model: 7H15HD **Head:** GV **Voltage:** 12
Mount: Ear **Sanden:** 4453, 4495
Clutch: 4.7" (119mm) Poly 8 **R134a**



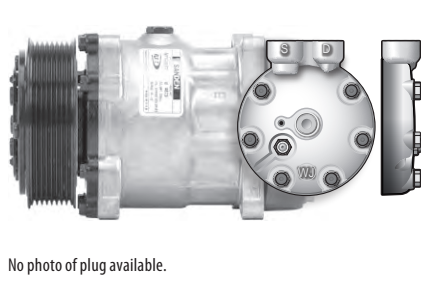
75R81452 RD-5-11313-0P
Model: 7H15HD **Head:** JDA **Voltage:** 12
Mount: Ear **Sanden:** 4645
Clutch: 4.7" (119mm) Poly 7 **R134a**



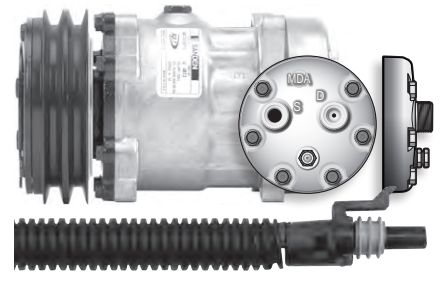
75R81352 RD-5-11254-0P
Model: 7H15HD **Head:** MDA **Voltage:** 12
Mount: Direct **Sanden:** 4492, 4761
Clutch: 4.9" (125mm) Poly 6 **R134a**



75R81392 RD-5-11259-0P
Model: 7H15HD **Head:** WJ **Voltage:** 12
Mount: Ear **Sanden:** 4427, 4496, 4718
Clutch: 4.7" (119mm) Poly 8 **R134a**



75R81462 RD-5-11315-0P
Model: SD7H15 **Head:** MDA **Voltage:** 12
Mount: Ear **Sanden:** 4646
Clutch: 5 1/4" (132mm) A2 Groove **R-134a**



No photo of plug available.

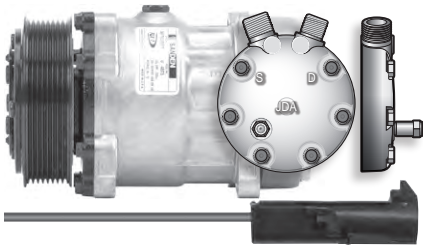
LS = Limited to stock on hand

COMPRESSOR

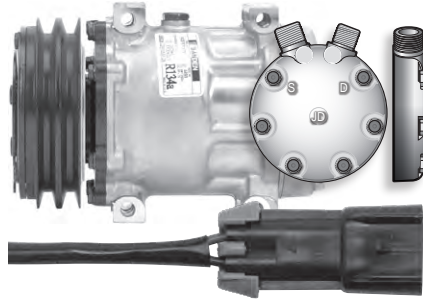
SANDEN COMPRESSORS

COMPRESSOR

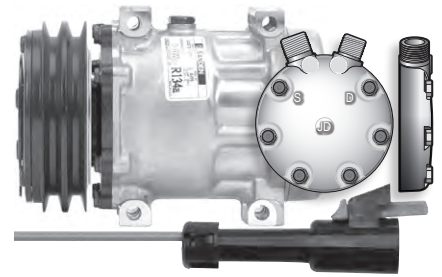
75R81482 RD-5-11322-0P
Model: 7H15HD **Head:** JDA **Voltage:** 12
Mount: Ear **Sanden:** 4660
Clutch: 4 3/4" (119mm) Poly 8 **R134a**



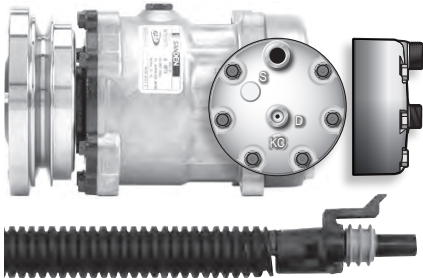
75R81532 RD-5-11330-0P
Model: 7H15HD **Head:** JD **Voltage:** 12
Mount: Direct **Sanden:** 4699
Clutch: 5 1/4" (132mm) A2 Groove **R134a**



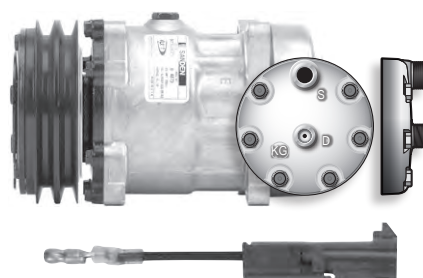
75R81582 RD-5-11337-0P
Model: 7H15HD **Head:** JD **Voltage:** 12
Mount: Direct **Sanden:** 4780
Clutch: 5 1/4" (132mm) A2 Groove **R134a**



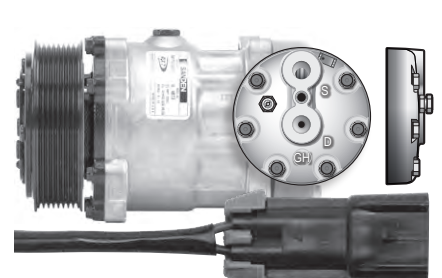
75R81492 RD-5-11324-0P
Model: 7H15SHD **Head:** KC **Voltage:** 12
Mount: Ear **Sanden:** 4480, 4661
Clutch: 5 1/2" (138mm) A1 Groove - Sealed **R134a**



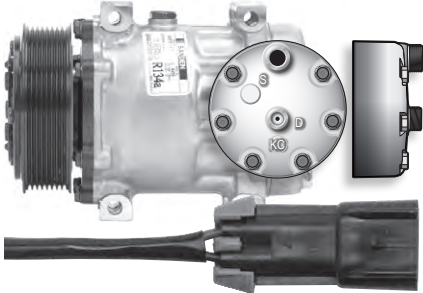
75R81552 RD-5-11331-0P
Model: 7H15 **Head:** KG **Voltage:** 12
Mount: Ear **Sanden:** 4709
Clutch: 4.9" (125mm) A2 Groove **R134a**



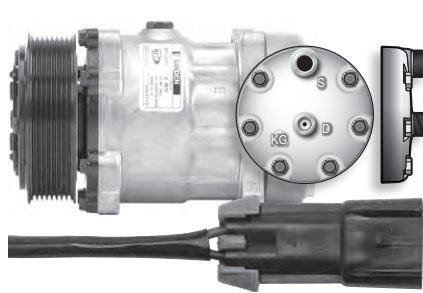
75R81612 RD-5-11340-0P
Model: 7H15 **Head:** GH **Voltage:** 12
Mount: Ear **Sanden:** 4820
Clutch: 4.7" (119mm) Poly 8 **R134a**



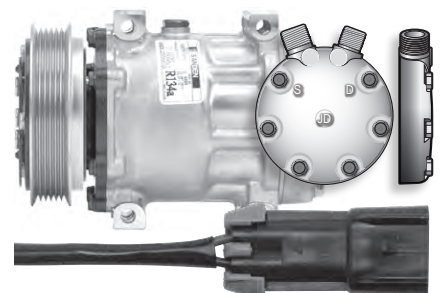
75R81502 RD-5-11326-0P
Model: 7H15 **Head:** KC **Voltage:** 12
Mount: Direct **Sanden:** 4667
Clutch: 4.7" (119mm) Poly 8 **R134a**



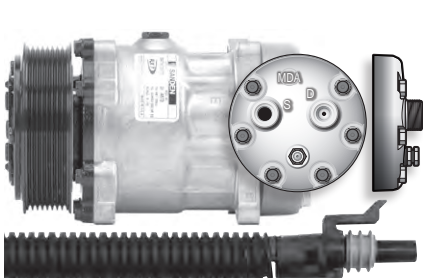
75R81562 RD-5-11334-0P
Model: 7H15HD **Head:** KG **Voltage:** 12
Mount: Ear **Sanden:** 4739
Clutch: 4.7" (119mm) Poly 8 **R134a**



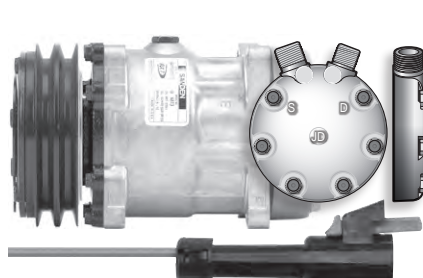
75R81622 RD-5-12330-0P
Model: 7H15HD **Head:** JD **Voltage:** 12
Mount: Direct **Sanden:** 4883
Clutch: 4.9" (125mm) Poly 6 **R134a**



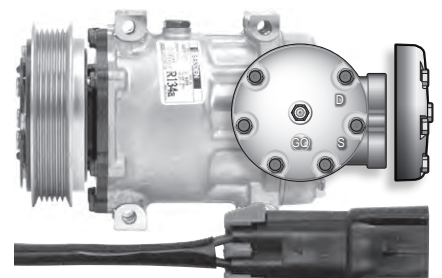
75R81512 RD-5-11328-0P
Model: 7H15 **Head:** MDA **Voltage:** 12
Mount: Ear **Sanden:** 4672
Clutch: 4.7" (119mm) Poly 8 **R134a**



75R81572 RD-5-11336-0P
Model: 7H15HD **Head:** JD **Voltage:** 12
Mount: Ear **Sanden:** 4779
Clutch: 4.9" (125mm) A2 Groove **R134a**



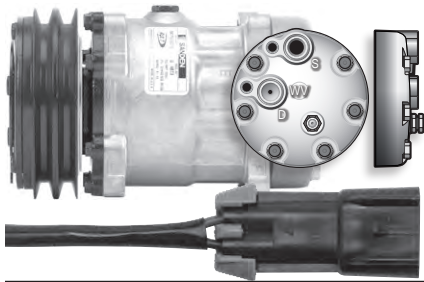
75R81632 RD-5-12332-0P
Model: 7H15 **Head:** GQ **Voltage:** 12
Mount: Direct **Sanden:** 4040, 4425, 4792
Clutch: 4.9" (125mm) Poly 6 **R134a**



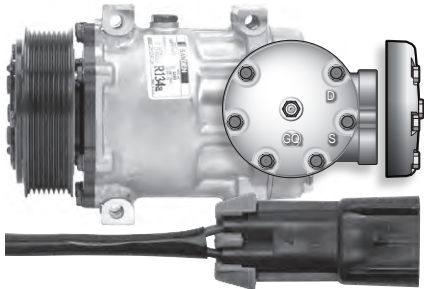
LS = Limited to stock on hand

SANDEN COMPRESSORS

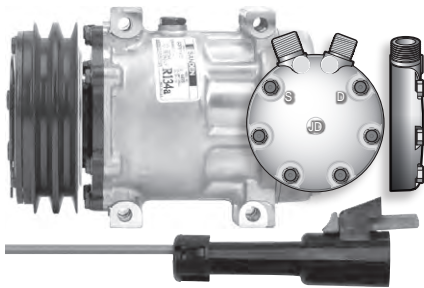
75R81652 RD-5-11343-0P
Model: 7H15 **Head:** WV **Voltage:** 12
Mount: Ear **Sanden:** 4717, 4777, 4893
Clutch: 5 1/4" (132mm) A2 Groove **R134a**



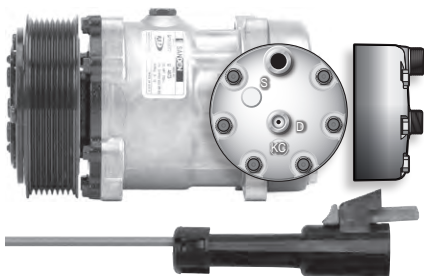
75R81662 RD-5-12334-0P
Model: 7H15 **Head:** GQ **Voltage:** 12
Mount: Direct **Sanden:** 4042, 4432, 4759
Clutch: 4.7" (119mm) Poly 8 **R134a**



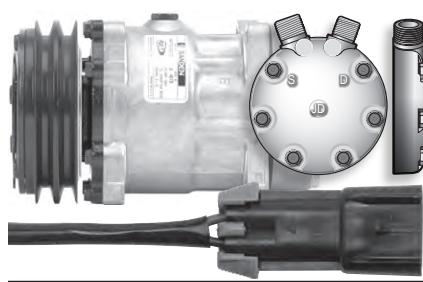
75R81672 RD-5-11345-0P
Model: 7H15HD **Head:** JD **Voltage:** 12
Mount: Direct **Sanden:** 4894
Clutch: 5 1/4" (132mm) A2 Groove **R134a**



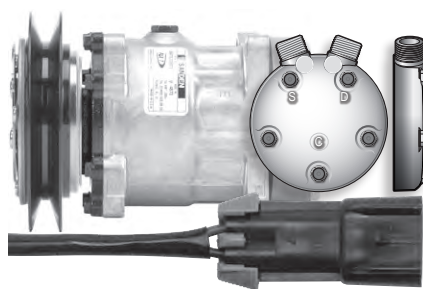
75R81682 RD-5-11346-0P
Model: 7H15 **Head:** KC **Voltage:** 12
Mount: Ear **Sanden:** 4895
Clutch: 5 1/8" (130mm) Poly 8 **R134a**



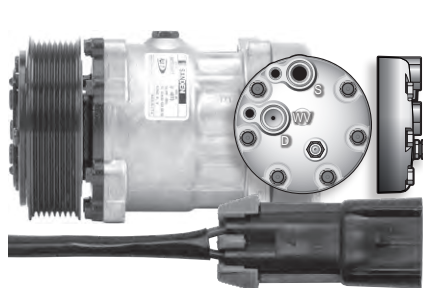
75R81692 RD-5-11347-0P
Model: 7H15 **Head:** JD **Voltage:** 12
Mount: Ear **Sanden:** 4896
Clutch: 4.9" (125mm) A2 Groove **R134a**



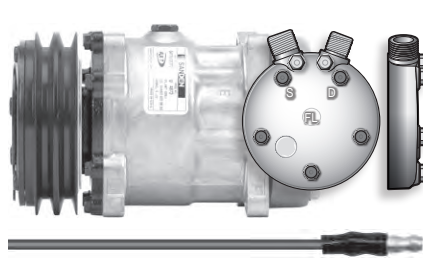
75R81732 RD-5-11350-0P
Model: 7H15 **Head:** C **Voltage:** 12
Mount: Ear **Sanden:** 4747
Clutch: 6 1/4" (158mm) Variable 1 Groove **R-134a**



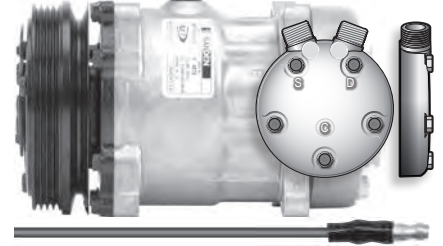
75R81762 RD-5-11356-0P
Model: 7H15SHD **Head:** WV **Voltage:** 12
Mount: Ear **Sanden:** 4490, 4716
Clutch: 5 1/8" (130mm) Poly 8 **R-134a**



75R82102 RD-5-10307-0P
Model: 5H09 **Head:** FL **Voltage:** 12
Mount: Ear **Sanden:** 5072
Clutch: 4.9" (125mm) A2 Groove **R-134a**



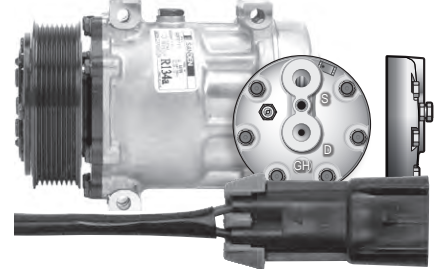
75R82132 RD-5-10310-0P
Model: 5H09 **Head:** C **Voltage:** 12
Mount: Ear **Sanden:** 5080
Clutch: 4.9" (125mm) Poly 4 **R134a**



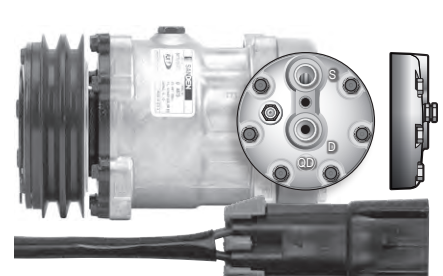
75R82142 RD-5-10493-0P
Model: 5H09 **Head:** K **Voltage:** 12
Mount: Ear **Sanden:** 5077
Clutch: 4.9" (125mm) A2 Groove **R-134a**



75R82312 RD-5-13062-0P
Model: 7H15SHD **Head:** GH **Voltage:** 12
Mount: Direct **Sanden:** 4075
Clutch: 4.7" (119mm) Poly 8 **R-134a**



75R83112 RD-5-10283-0P
Model: 7H15 **Head:** QD **Voltage:** 12
Mount: Ear **Sanden:** 7803
Clutch: 4.9" (125mm) A2 Groove **R-134a**



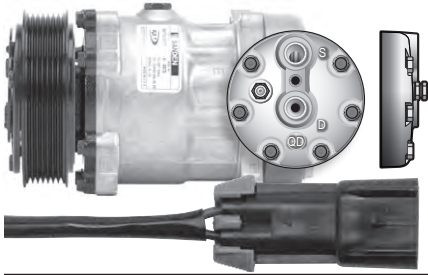
COMPRESSOR

LS = Limited to stock on hand

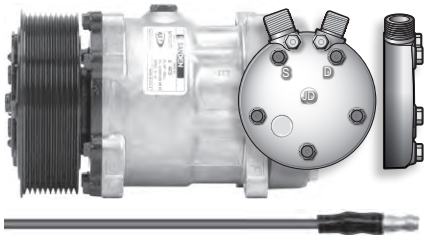
SANDEN COMPRESSORS

COMPRESSOR

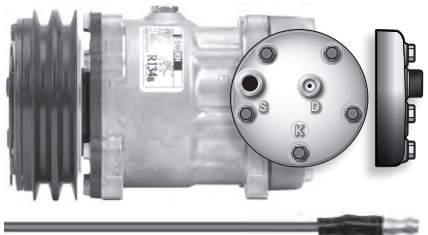
75R83132 RD-5-10284-0P
Model: 7H15 **Head:** QD **Voltage:** 12
Mount: Ear **Sanden:** 4542, 4618
Clutch: 4.7" (119mm) Poly 7 **R-134a**



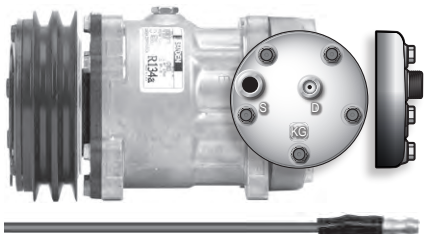
75R83152 RD-5-10288-0P
Model: 7H15 **Head:** JD **Voltage:** 12
Mount: Ear **Sanden:** 4508, 6656
Clutch: 4.9" (125mm) Poly 10 **R-134a**



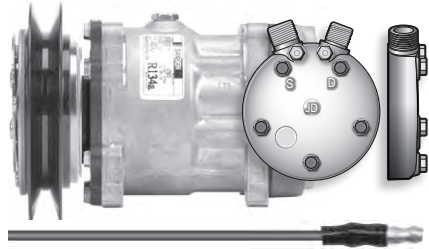
75R8332 RD-5-9088-0P
Model: 5H14 **Head:** K **Voltage:** 12
Mount: Ear **Sanden:** 4536, 6630, 6676
Clutch: 5 1/4" (132mm) A2 Groove **R-134a**



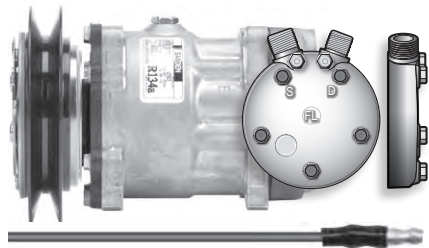
75R8354 RD-5-8680-0P
Model: 7H15 **Head:** KG **Voltage:** 24
Mount: Ear **Sanden:** 4537, 6634
Clutch: 5 1/4" (132mm) A2 Groove **R-134a**



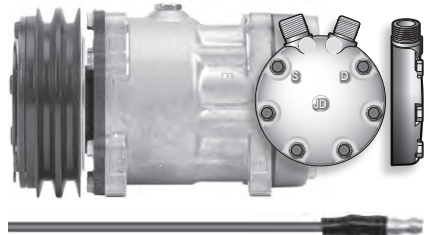
75R8372 RD-5-7090-0P
Model: 7H15-HD **Head:** JD **Voltage:** 12
Mount: Ear **Sanden:** 4515, 6673, 4746
Clutch: 6 1/4" (158mm) Variable 1 Groove **R-134a**



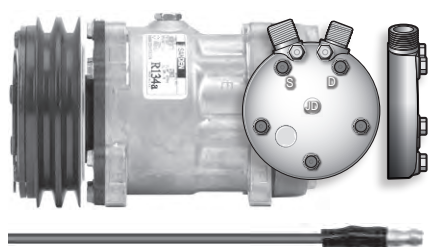
75R8374 RD-5-7091-0P
Model: 5H14-HD **Head:** FL **Voltage:** 24
Mount: Ear **Sanden:** 4516, 6672
Clutch: 6 1/4" (158mm) Variable 1 Groove **R-134a**



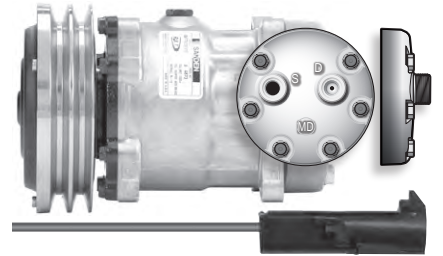
75R8382 RD-5-7088-0P
Model: 7H15 **Head:** JD **Voltage:** 12
Mount: Ear **Sanden:** 4509, 4510, 6664
Clutch: 5 1/4" (132mm) A2 Groove **R-134a**



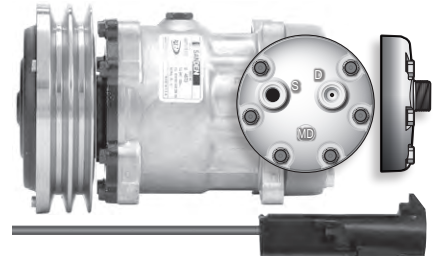
75R8384 RD-5-7089-0P
Model: 7H15 **Head:** JD **Voltage:** 24
Mount: Ear
Sanden: 4506, 4507, 6627, 6665, 4271
Clutch: 5 1/4" (132mm) A2 Groove **R-134a**



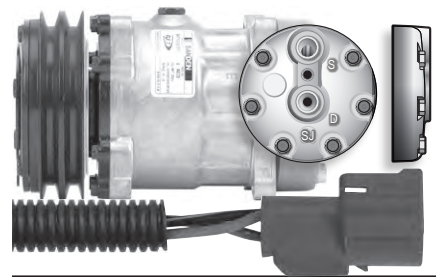
75R84112 RD-5-10259-0P
Model: 7H15SHD **Head:** MD **Voltage:** 12
Mount: Ear **Sanden:** 4478, 4609
Clutch: 6" (152mm) A2 Groove - Sealed **R-134a**



75R84114 RD-5-11161-0P
Model: 7H15SHD **Head:** MD **Voltage:** 24
Mount: Ear **Sanden:** 4611
Clutch: 6" (152mm) A2 Groove - Sealed **R-134a**



75R84132 RD-5-10261-0P
Model: 7H15 **Head:** SJ **Voltage:** 12
Mount: Ear **Sanden:** 4497, 4704
Clutch: 5 1/4" (132mm) A2 Groove **R-134a**



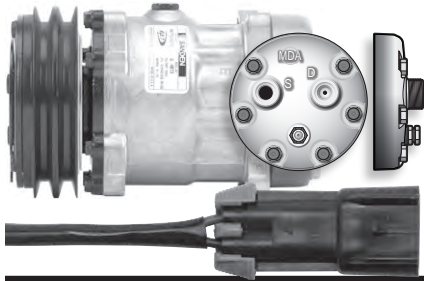
75R84152 RD-5-10303-0P
Model: 7H15HD **Head:** CBA **Voltage:** 12
Mount: Direct **Sanden:** 4687
Clutch: 4.9" (125mm) Poly 6 **R-134a**



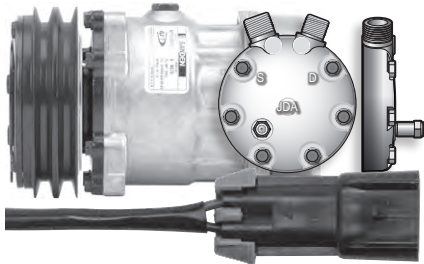
LS = Limited to stock on hand

SANDEN COMPRESSORS

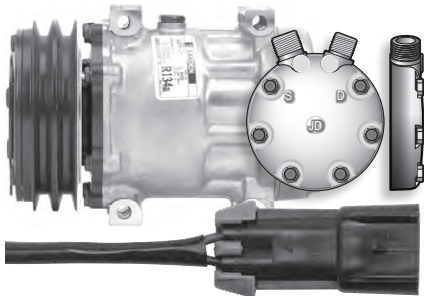
75R84172 RD-5-10263-0P
Model: 7H15HD **Head:** MDA **Voltage:** 12
Mount: Ear **Sanden:** 4471, 4735
Clutch: 5 1/4" (132mm) A2 Groove **R-134a**



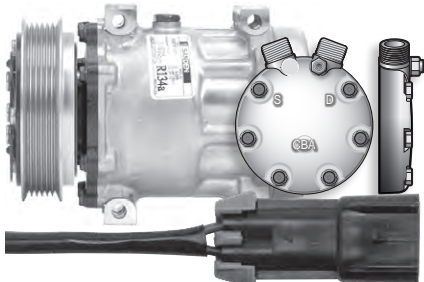
75R84182 RD-5-10264-0P
Model: 7H15HD **Head:** JDA **Voltage:** 12
Mount: Ear **Sanden:** 4488, 4736
Clutch: 5 1/4" (132mm) A2 Groove **R-134a**



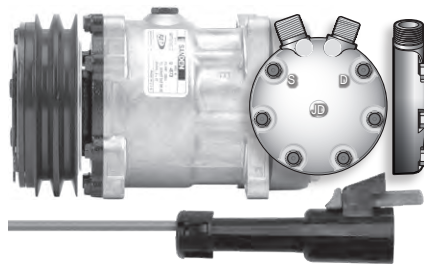
75R84192 RD-5-10265-0P
Model: 7H15HD **Head:** JD **Voltage:** 12
Mount: Direct **Sanden:** 4491, 4752
Clutch: 5 1/4" (132mm) A2 Groove **R-134a**



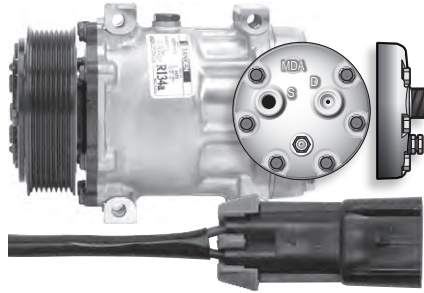
75R84212 RD-5-10266-0P
Model: 7H15HD **Head:** CBA **Voltage:** 12
Mount: Direct **Sanden:** 4475, 4756
Clutch: 4.9" (125mm) Poly 6 **R-134a**



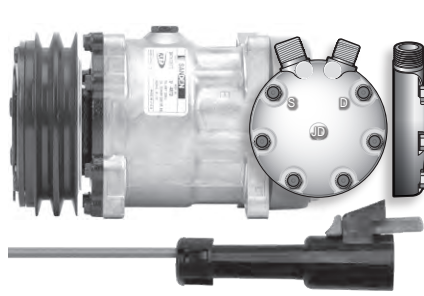
75R8422 RD-5-7120-0P
Model: 7H15HD **Head:** JD **Voltage:** 12
Mount: Ear **Sanden:** 4627
Clutch: 4.9" (125mm) A2 Groove **R134a**



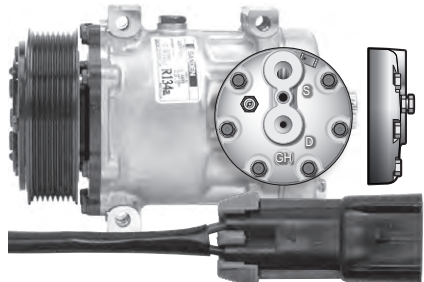
75R84232 RD-5-10267-0P
Model: 7H15HD **Head:** MDA **Voltage:** 12
Mount: Direct **Sanden:** 4776
Clutch: 4.7" (119mm) Poly 8 **R-134a**



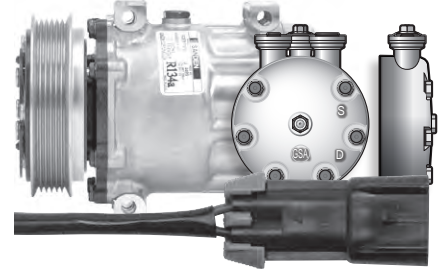
75R8424 RD-5-7124-0P
Model: 7H15HD **Head:** JD **Voltage:** 24
Mount: Ear **Sanden:** 4652
Clutch: 4.9" (125mm) A2 Groove **R134a**



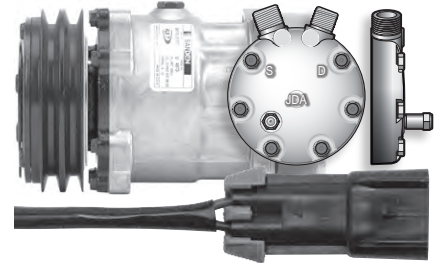
75R84252 RD-5-10268-0P
Model: 7H15HD **Head:** GH **Voltage:** 12v
Mount: Direct **Sanden:** 4818
Clutch: 4.7" (119mm) Poly 8 **R-134a**



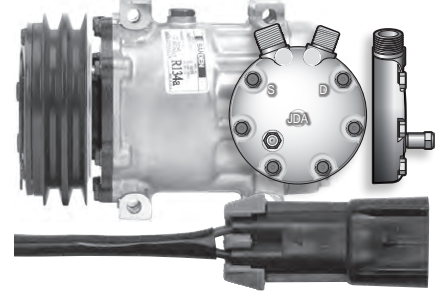
75R84292 RD-5-10273-0P
Model: 7H15 **Head:** GSA **Voltage:** 12
Mount: Direct **Sanden:** 4039, 4424, 4731
Clutch: 4.9" (125mm) Poly 6 **R134a**



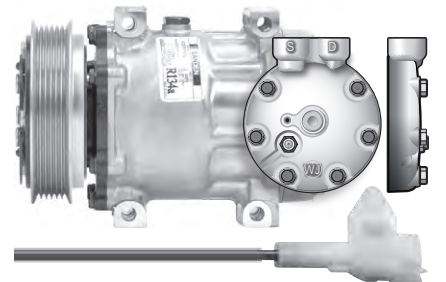
75R84312 RD-5-10274-0P
Model: 7H15HD **Head:** JDA **Voltage:** 12
Mount: Ear **Sanden:** 4433, 4484, 4740
Clutch: 4.9" (125mm) A2 Groove **R134a**



75R8432 RD-5-7522-0P
Model: 7H15HD **Head:** JDA **Voltage:** 12
Mount: Direct **Sanden:** 4626, 4695
Clutch: 5 1/4" (132mm) A2 Groove **R134a**



75R84352 RD-5-10275-0P
Model: 7H15 **Head:** WJ **Voltage:** 12
Mount: Direct **Sanden:** 4810
Clutch: 4.9" (125mm) Poly 6 **R134a**



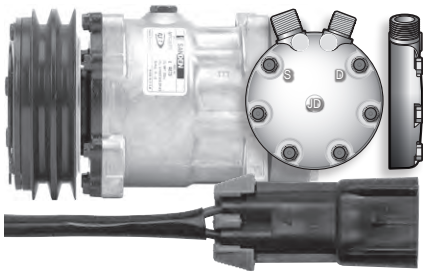
COMPRESSOR

LS = Limited to stock on hand

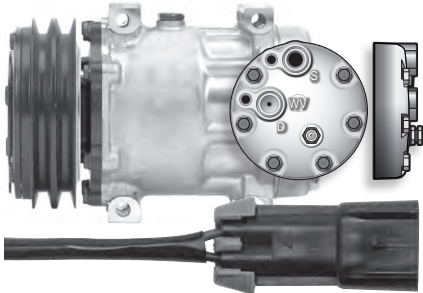
SANDEN COMPRESSORS

COMPRESSOR

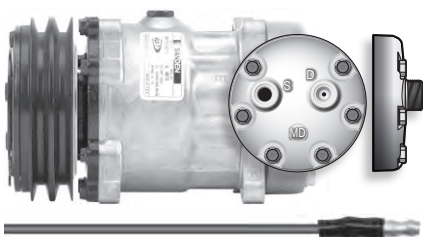
75R84362 RD-5-10276-0P
Model: 7H15HD **Head:** JD **Voltage:** 12
Mount: Ear **Sanden:** 4694
Clutch: 5 1/4" (132mm) A2 Groove **R134a**



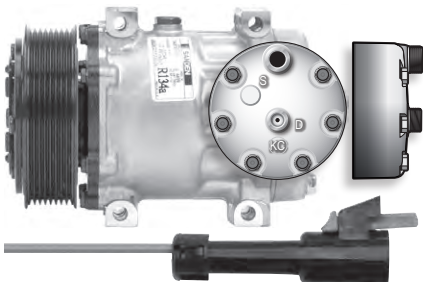
75R84382 RD-5-10278-0P
Model: 7H15 **Head:** WV **Voltage:** 12
Mount: Direct **Sanden:** 4715, 4890
Clutch: 5 1/4" (132mm) A2 Groove **R134a**



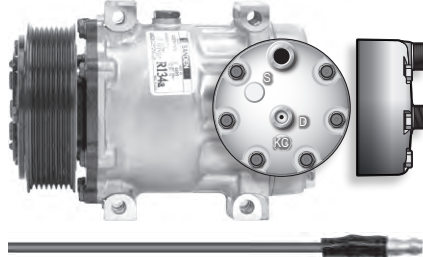
75R8442 RD-5-7373-0P
Model: 7H15 **Head:** MD **Voltage:** 12
Mount: Ear **Sanden:** 7819
Clutch: 4.9" (125mm) A2 Groove **R134a**



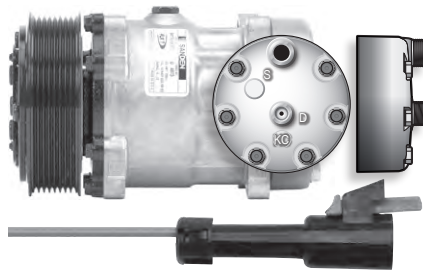
75R84452 RD-5-10282-0P
Model: 7H15 **Head:** KC **Voltage:** 12
Mount: Direct **Sanden:** 4823
Clutch: 5 1/8" (130mm) Poly 8 **R134a**



75R84472 RD-5-10285-0P
Model: 7H15 **Head:** KC **Voltage:** 12
Mount: Direct **Sanden:** 4666
Clutch: 4.7" (119mm) Poly 8 **R134a**



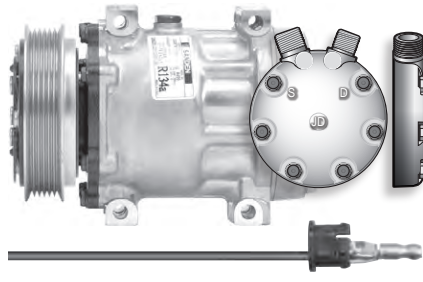
75R84482 RD-5-10286-0P
Model: 7H15 **Head:** KC **Voltage:** 12
Mount: Ear **Sanden:** 4659
Clutch: 5 1/8" (130mm) Poly 8 **R134a**



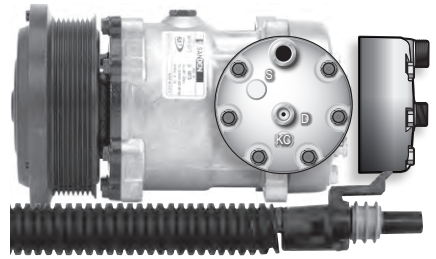
75R84492 RD-5-10287-0P
Model: 7H15 **Head:** JD **Voltage:** 12
Mount: Ear **Sanden:** 4663
Clutch: 4.9" (125mm) A2 Groove **R134a**



75R84512 RD-5-10290-0P
Model: 7H15 **Head:** JD **Voltage:** 12
Mount: Direct **Sanden:** 4628, 8105
Clutch: 4.7" (119mm) Poly 6 **R134a**



75R84522 RD-5-6919-0P
Model: 7H15SHD **Head:** KC **Voltage:** 12
Mount: Ear **Sanden:** 4637
Clutch: 5 1/4" (133mm) Poly 8 **R134a**



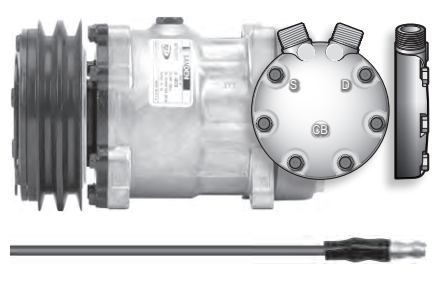
75R84532 RD-5-10291-0P
Model: 7H15SHD **Head:** MD **Voltage:** 12
Mount: Ear **Sanden:** 4617
Clutch: 5 1/4" (132mm) A2 Groove - Sealed **R134a**



75R8454 RD-5-10725-0P
Model: 7H15HD **Head:** JD **Voltage:** 24
Mount: Ear **Sanden:** 4745
Clutch: 6 1/4" (158mm) Variable 1 Groove **R134a**



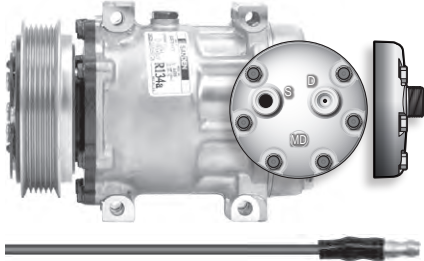
75R84552 RD-5-10292-0P
Model: 7H15HD **Head:** CB **Voltage:** 12
Mount: Ear **Sanden:** 4643
Clutch: 5 1/4" (132mm) A2 Groove **R134a**



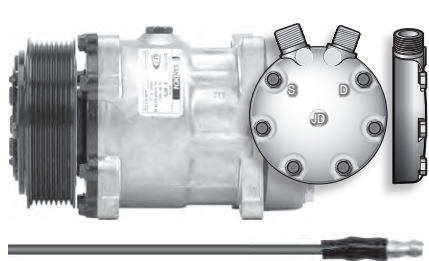
LS = Limited to stock on hand

SANDEN COMPRESSORS

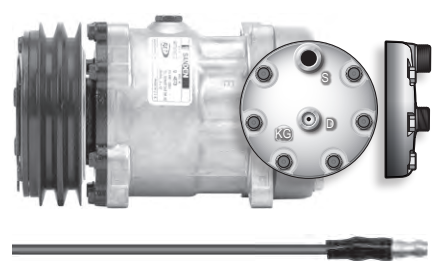
75R84562 RD-5-10294-0P
Model: 7H15 **Head:** MD **Voltage:** 12
Mount: Direct **Sanden:** 4641
Clutch: 4.7" (119mm) Poly 6 **R134a**



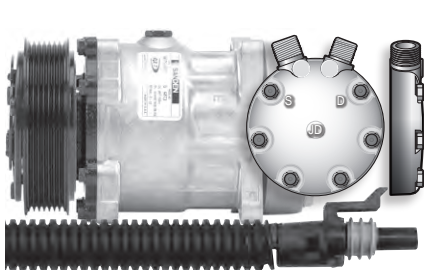
75R8462 RD-5-9251-0P
Model: 7H15 **Head:** JD **Voltage:** 12
Mount: Ear **Sanden:** 4711, 8103
Clutch: 4.7" (119mm) Poly 8 **R134a**



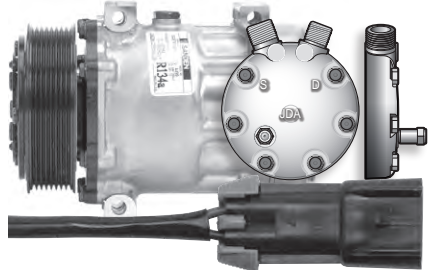
75R84654 RD-5-9319-0P
Model: 7H15HD **Head:** KG **Voltage:** 24
Mount: Ear **Sanden:** 4742
Clutch: 4.9" (125mm) A2 Groove **R134a**



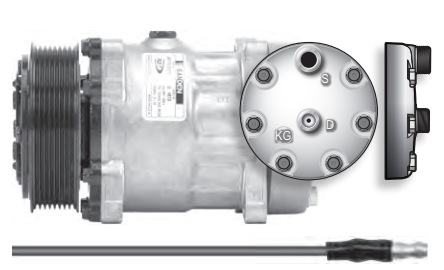
75R84572 RD-5-10295-0P
Model: 7H15HD **Head:** JD **Voltage:** 12
Mount: Ear **Sanden:** 4665
Clutch: 4.7" (119mm) Poly 7 **R134a**



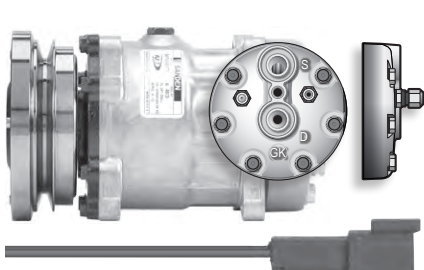
75R84622 RD-5-10738-0P
Model: 7H15 **Head:** JDA **Voltage:** 12
Mount: Direct **Sanden:** 4822
Clutch: 4.7" (119mm) Poly 8 **R134a**



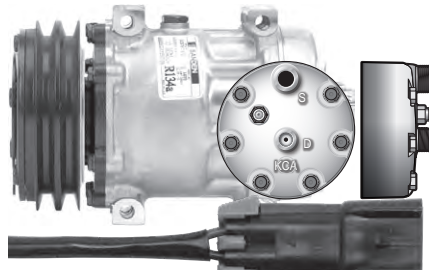
75R84662 RD-5-11002-0P
Model: 7H15HD **Head:** KG **Voltage:** 12
Mount: Ear **Sanden:** 4712
Clutch: 4.7" (119mm) Poly 8 **R134a**



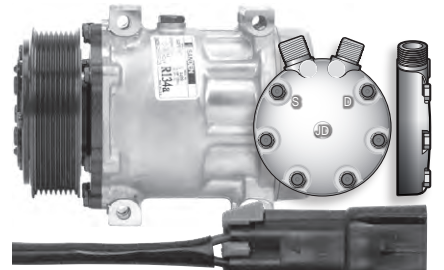
75R84592 RD-5-11220-0P
Model: 7H15SHD **Head:** GK **Voltage:** 12
Mount: Ear **Sanden:** 4608, 4657, 8108
Clutch: 5 1/2" (138mm) A1 Groove - Sealed **R134a**



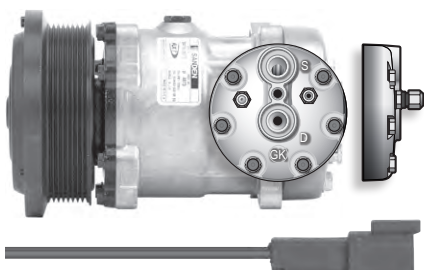
75R84632 RD-5-10737-0P
Model: 7H15HD **Head:** KCA **Voltage:** 12
Mount: Direct **Sanden:** 4306, 4428
Clutch: 5 1/4" (132mm) A2 Groove **R134a**



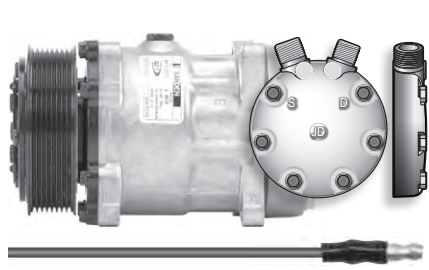
75R84672 RD-5-13071-0P
Model: SD7H15 **Head:** JD **Voltage:** 12
Mount: Direct **Sanden:** 4060
Clutch: 4.7" (119mm) Poly 8 **R134a**



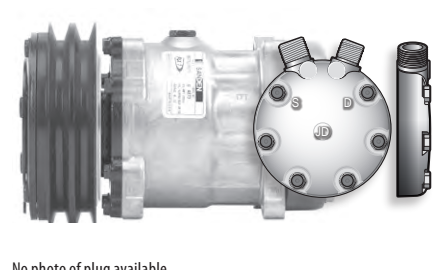
75R84594 RD-5-10260-0P
Model: 7H15SHD **Head:** GK **Voltage:** 24
Mount: Ear **Sanden:** 4487, 4726
Clutch: 5 1/4" (133mm) Poly 8 - Sealed **R134a**



75R8464 RD-5-9458-0P
Model: 7H15 **Head:** JD **Voltage:** 24
Mount: Ear **Sanden:** 4762
Clutch: 4.7" (119mm) Poly 8 **R134a**



75R84684 RD-5-12179-0P
Model: SD7H15 **Head:** JD **Voltage:** 24
Mount: Ear **Sanden:** 4409
Clutch: 6" (152mm) A2 Groove **R-134a**



No photo of plug available

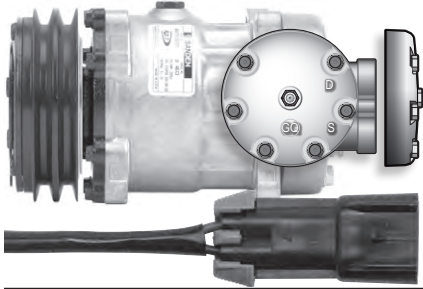
COMPRESSOR

LS = Limited to stock on hand

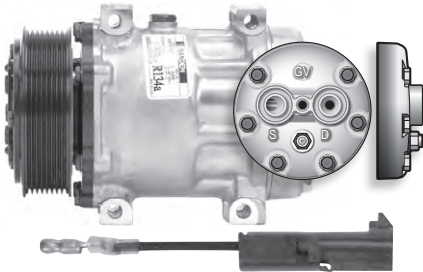
SANDEN COMPRESSORS

COMPRESSOR

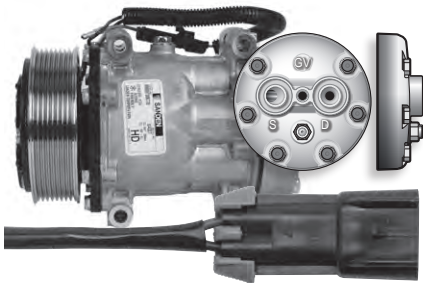
75R8772 RD-5-12523-0P
Model: 7H15 **Head:** GQ **Voltage:** 12
Mount: Ear **Sanden:** 4041, 4426, 4696
Clutch: 4.9" (125mm) A2 Groove **R134a**



75R89302 RD-5-10885-0P
Model: 7H15FLX **Head:** GV **Voltage:** 12
Mount: Direct **Sanden:** 4420
Clutch: 4.7" (119mm) Poly 8 **R134a**



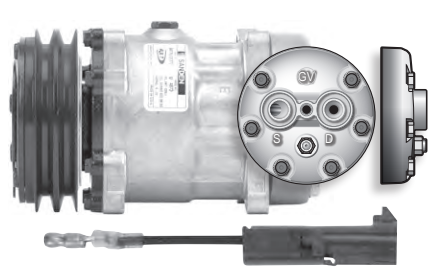
75R89304 RD-5-15719-0P
Model: FLX7 **Head:** GV **Voltage:** 24v
Mount: Direct **Sanden:** 4327
Clutch: 4.7" (119mm) Poly 8 **R-134a**



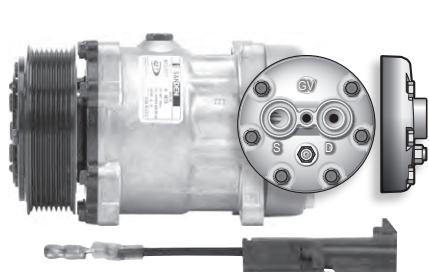
75R89312 RD-5-10886-0P
Model: 7H15FLX **Head:** GV **Voltage:** 12
Mount: Ear **Sanden:** 4860
Clutch: 4.9" (125mm) A2 Groove **R134a**



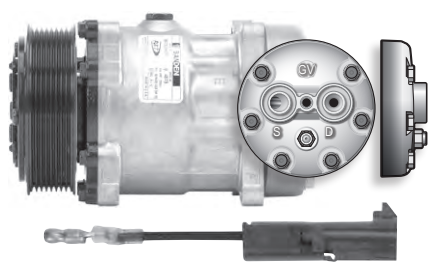
75R89334 RD-5-10888-0P
Model: 7H15FLX **Head:** GV **Voltage:** 24
Mount: Ear **Sanden:** 4862
Clutch: 4.9" (125mm) A2 Groove **R134a**



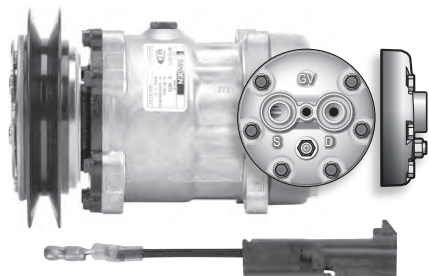
75R89352 RD-5-10890-0P
Model: 7H15FLX **Head:** GV **Voltage:** 12
Mount: Ear **Sanden:** 4737, 4864
Clutch: 4.7" (119mm) Poly 8 **R134a**



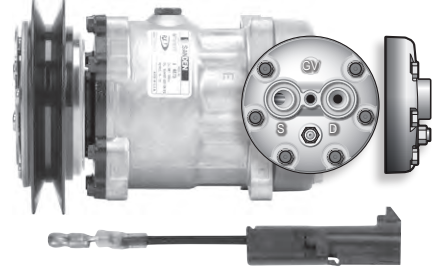
75R89354 RD-5-10892-0P
Model: 7H15FLX **Head:** GV **Voltage:** 24
Mount: Ear **Sanden:** 4866
Clutch: 4.7" (119mm) Poly 8 **R134a**



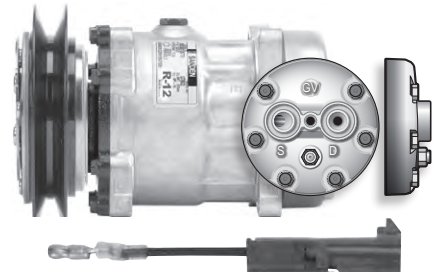
75R89372 RD-5-10893-0P
Model: 7H15FLX **Head:** GV **Voltage:** 12
Mount: Ear **Sanden:** 4868
Clutch: 6 1/4" (158mm) Variable 1 Groove **R134a**



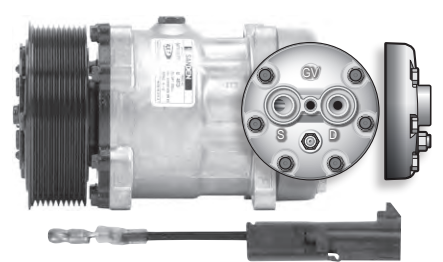
75R89374 RD-5-10895-0P
Model: 7H15FLX **Head:** GV **Voltage:** 24
Mount: Ear **Sanden:** 4870
Clutch: 6 1/4" (158mm) Variable 1 Groove **R134a**



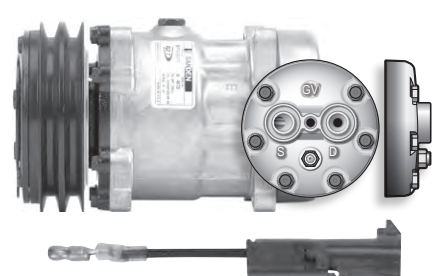
75R89382 RD-5-10894-0P
Model: SD7H15 **Head:** GV **Voltage:** 12
Mount: Ear **Sanden:** 4869
Clutch: 6 1/4" (158mm) Variable Groove **R-134a**



75R89392 RD-5-10897-0P
Model: 7H15FLX **Head:** GV **Voltage:** 12
Mount: Ear **Sanden:** 4872
Clutch: 4.9" (125mm) Poly 10 **R134a**



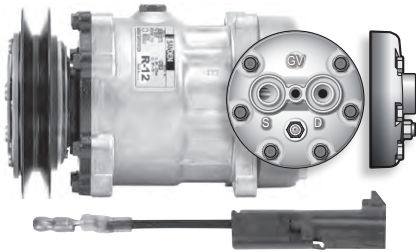
75R89394 RD-5-11013-0P
Model: 7H15FLX **LS** **Head:** GV **Voltage:** 24
Mount: Ear **Sanden:** 4448
Clutch: 5 1/4" (132mm) A2 Groove **R134a**



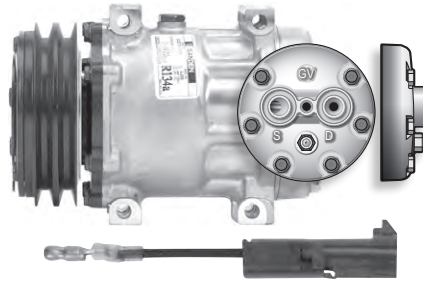
LS = Limited to stock on hand

SANDEN COMPRESSORS

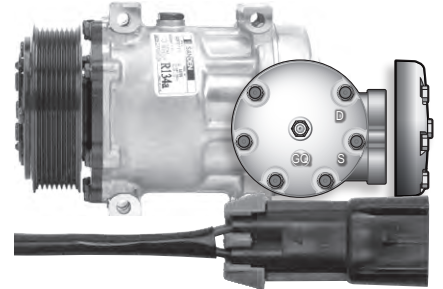
75R89412 RD-5-11008-0P
Model: 7H15FLX **LS** **Head:** GV **Voltage:** 12
Mount: Ear **Sanden:** 4875, 4876
Clutch: 5 1/2" (138mm) A1 Groove **R-12**



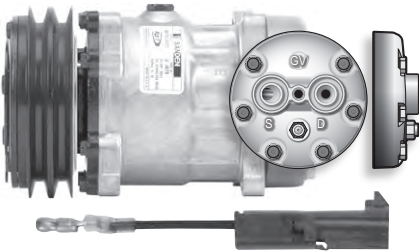
75R89462 RD-5-11006-0P
Model: 7H15FLX **Head:** GV **Voltage:** 12
Mount: Direct **Sanden:** 4419
Clutch: 4.9" (125mm) A2 Groove **R134a**



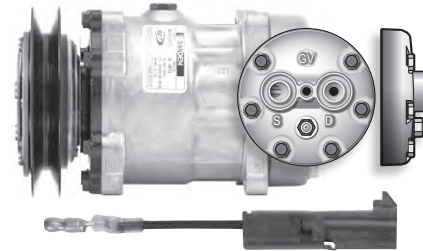
75R89502 RD-5-13207-0P
Model: SD7H15 **Head:** GQ **Voltage:** 12
Mount: Direct **Sanden:** 4077
Clutch: 4.7" (119mm) Poly 8 **R-134a**



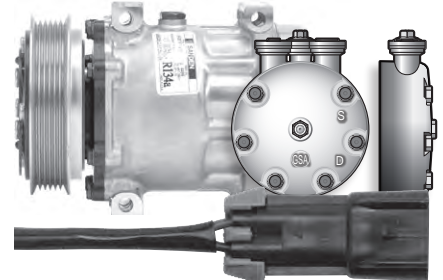
75R89422 RD-5-10899-0P
Model: 7H15FLX **Head:** GV **Voltage:** 12
Mount: Ear **Sanden:** 4434
Clutch: 5 1/4" (132mm) A2 Groove **R134a**



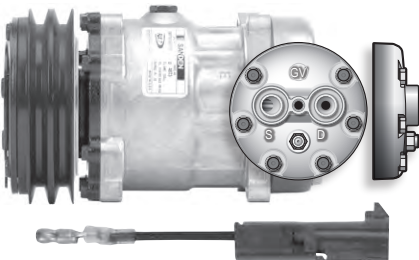
75R89474 RD-5-11009-0P
Model: 7H15FLX **Head:** GV **Voltage:** 24
Mount: Ear **Sanden:** 4877
Clutch: 5 1/2" (138mm) A1 Groove **R134a**



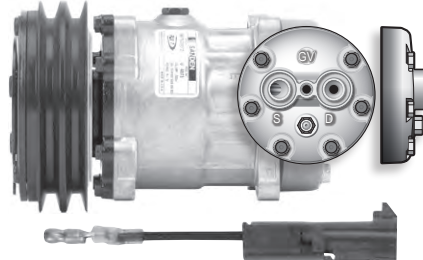
75R89522 RD-5-13209-0P
Model: SD7H15 **Head:** GSA **Voltage:** 12
Mount: Direct **Sanden:** 4079
Clutch: 4.9" (125mm) Poly 6 **R-134a**



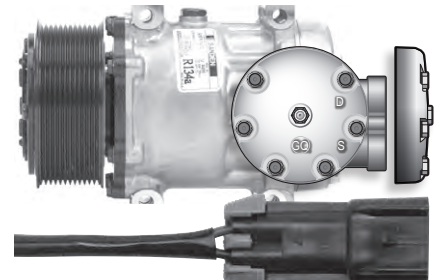
75R89424 RD-5-10900-0P
Model: 7H15 FLX7 **Head:** GV **Voltage:** 24
Mount: Ear **Sanden:** 4435
Clutch: 5 1/4" (132mm) A2 Groove **R-134a**



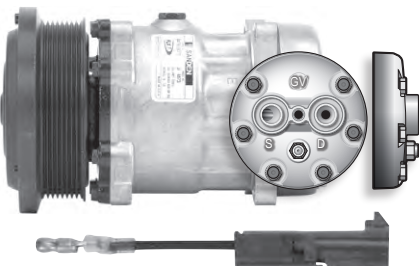
75R89484 RD-5-11010-0P
Model: 7H15FLX **Head:** GV **Voltage:** 24
Mount: Ear **Sanden:** 4881
Clutch: 6" (152mm) A2 Groove **R134a**



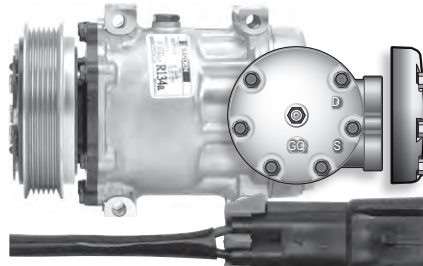
75R89532 RD-5-13210-0P
Model: SD7H15 **Head:** GQ **Voltage:** 12
Mount: Direct **Sanden:** 4078, 4370
Clutch: 4.9" (126mm) Poly 12 **R-134a**



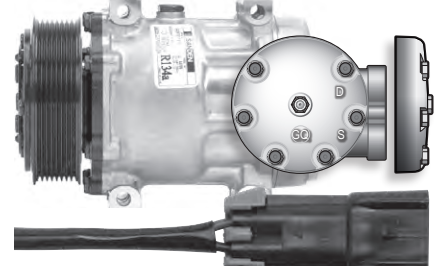
75R89432 RD-5-11005-0P
Model: 7H15FLX **Head:** GV **Voltage:** 12
Mount: Ear **Sanden:** 4874
Clutch: 5 1/4" (133mm) Poly 8 with Dust Cover **R13a**



75R89492 RD-5-12550-0P
Model: 7H15FLX **Head:** GQ **Voltage:** 12
Mount: Direct **Sanden:** 4080
Clutch: 4.9" (125mm) Poly 6 **R134a**



75R89562 RD-5-13213-0P
Model: SE7H15 **Head:** GQ **Voltage:** 12
Mount: Direct **Sanden:** 1027K8
Clutch: 4.7" (119mm) Poly 8 **R-134a**



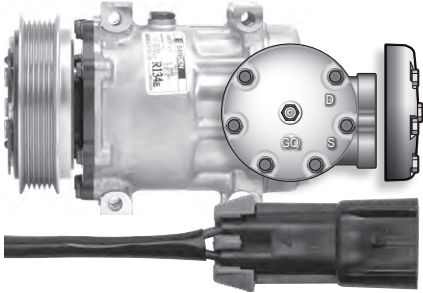
COMPRESSOR

LS = Limited to stock on hand

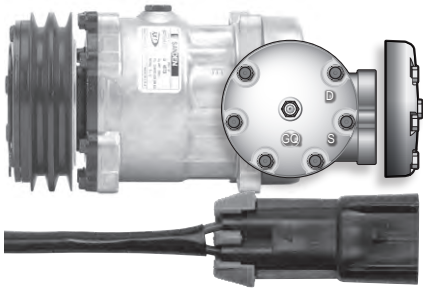
SANDEN COMPRESSORS

COMPRESSOR

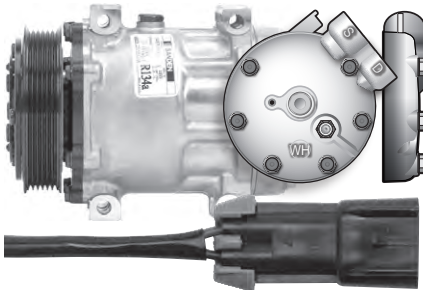
75R89572 RD-5-13214-0P
Model: SE7H15 **Head:** GQ **Voltage:** 12
Mount: Direct **Sanden:** 1027U3
Clutch: 4.9" (125mm) Poly 6 **R-134a**



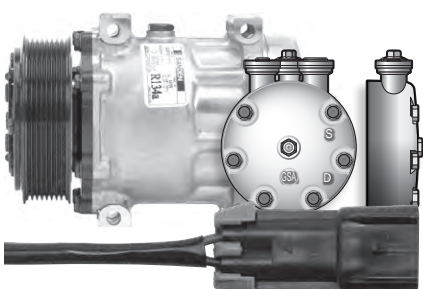
75R89602 RD-5-13226-0P
Model: 7H15SHD **Head:** GQ **Voltage:** 12
Mount: Ear **Sanden:** 4089
Clutch: 4.9" (125mm) A2 Groove **R-134a**



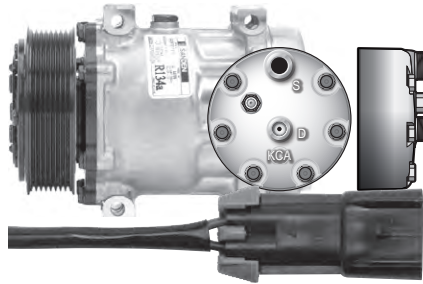
75R89612 RD-5-14093-0P
Model: 7H15 **Head:** WH **Voltage:** 12v
Mount: Direct **Sanden:** 4119
Clutch: 4.9" (125mm) Poly 6 **R-134a**



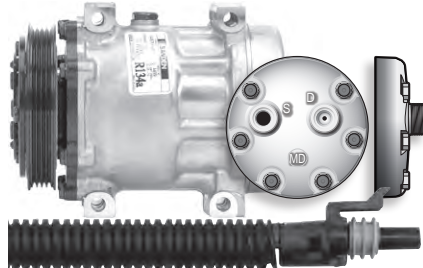
75R89652 RD-5-14655-0P
Model: 7H15SHD **Head:** GSA **Voltage:** 12v
Mount: Direct **Sanden:** 4081
Clutch: 4.7" (119mm) Poly 8 **R-134a**



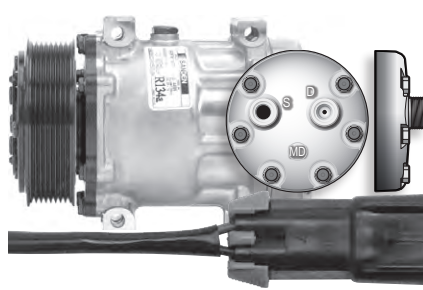
75R89662 RD-5-14656-0P
Model: 7H15SHD **Head:** KCA **Voltage:** 12v
Mount: Direct **Sanden:** 4090
Clutch: 4.7" (119mm) Poly 8 **R-134a**



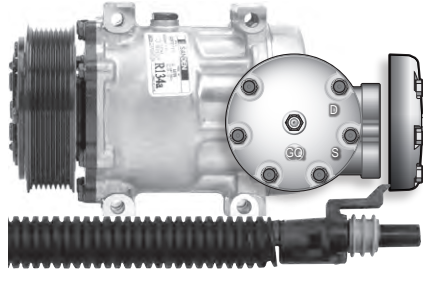
75R89672 RD-5-14658-0P
Model: 7H15HD **Head:** MD **Voltage:** 12v
Mount: Direct **Sanden:** 4105U
Clutch: 6" (152mm) Poly 4 **R-134a**



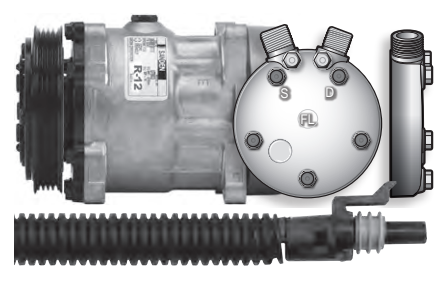
75R89692 RD-5-14660-0P
Model: 7H15SHD **Head:** MD **Voltage:** 12v
Mount: Direct **Sanden:** 4109U
Clutch: 6" (152mm) Poly 8 **R-134a**



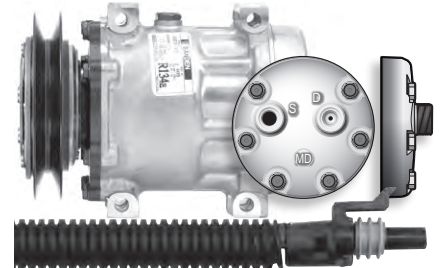
75R89722 RD-5-14663-0P
Model: 7H15HD **Head:** KF **Voltage:** 12v
Mount: Direct **Sanden:** 4121U
Clutch: 4.7" (119mm) Poly 8 **R-134a**



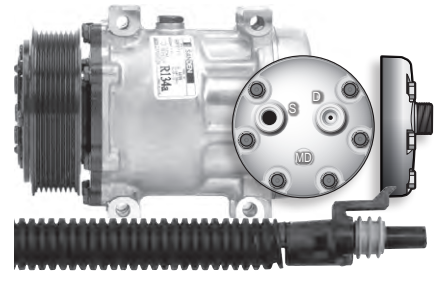
75R89732 RD-5-14664-0P
Model: 5H14HD **Head:** FL **Voltage:** 12v
Mount: Ear **Sanden:** 6372
Clutch: 5.5" (140mm) Poly 4 **R-134a**



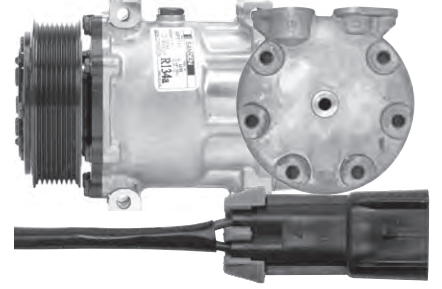
75R89742 RD-5-14666-0P
Model: 7H15HD **Head:** MD **Voltage:** 12v
Mount: Direct **Sanden:** 8174
Clutch: 5.3" (135mm) A groove **R-134a**



75R89744 RD-5-14665-0P
Model: 7H15HD **Head:** MD **Voltage:** 24v
Mount: Direct **Sanden:** 8144
Clutch: 4.7" (119mm) Poly 8 **R-134a**

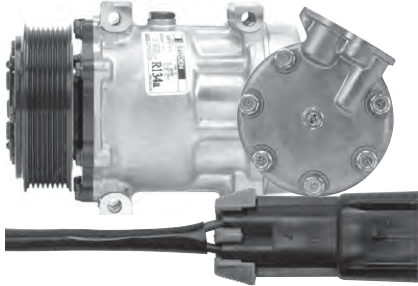


75R89752 RD-5-14689-0P
Model: 7H15HD **Head:** Voltage: 12v
Mount: Direct **Sanden:** 4418
Clutch: 7" (180mm) Poly 8 **R-134a**

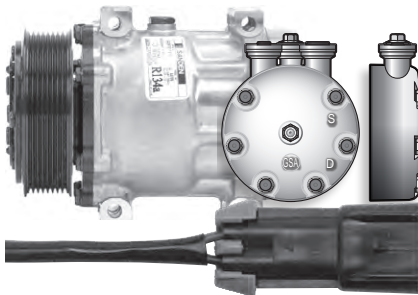


LS = Limited to stock on hand

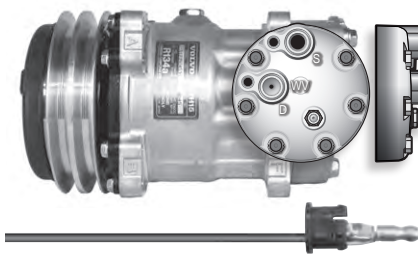
75R89762 RD-5-14696-0P
Model: 7H15HD **Head:** Voltage: 12v
Mount: Direct **Sanden:** 4720
Clutch: 4.7" (119mm) Poly 8 **R-134a**



75R89772 RD-5-15326-0P
Model: 7H15 **Head:** GSA **Voltage:** 12v
Mount: Direct **Sanden:** 4322
Clutch: 4.7" (119mm) Poly 8 **R-134a**



75R89774 RD-5-13208-0P
Model: 7H15 **Head:** WV **Voltage:** 24v
Mount: Ear **Sanden:** 8045
Clutch: 5 1/4" (132mm) 2A Groove



75R89792 RD-5-15320-0P
Model: 7H15 **Head:** GHA **Voltage:** 12v
Mount: Direct **Sanden:** 4019
Clutch: 4.7" (119mm) Poly 6

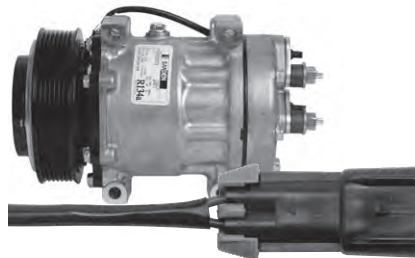


75R89832 RD-5-15359-0P
Model: 7H15 **Head:** **Voltage:** 12v
Mount: Direct **Sanden:** 4440
Clutch: 5 1/4" (132mm) Poly 6 **R-134a**

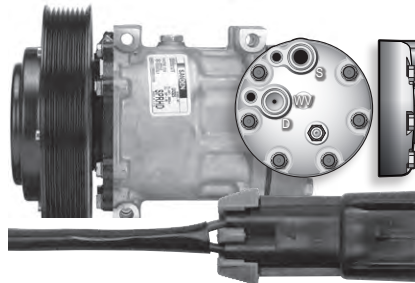


Image Not Available

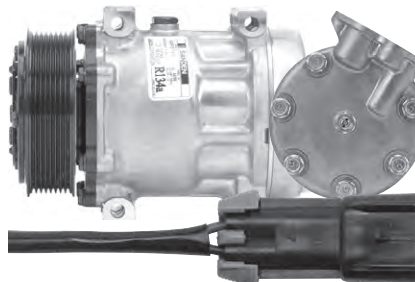
75R89842 RD-5-16210-0P
Model: 7H15SHD **Head:** **Voltage:** 12v
Mount: Direct **Sanden:** 4577
Clutch: 4.9" (125mm) Poly 7 **R-134a**



75R9612 RD-5-13248-0P
Model: 7H15HD **Head:** WV **Voltage:** 12v
Mount: Direct **Sanden:** 4326
Clutch: 7" (180mm) Poly 8 **R-134a**



75R9622 RD-5-15526-0P
Model: 7H15 **Head:** Voltage: 12v
Mount: Direct **Sanden:** 4347
Clutch: 4.7" (119mm) Poly 10 **R-134a**



75R9892 RD-5-16205-0P
Model: 7H15SHD **Head:** 4670 **Voltage:** 12v
Mount: Direct **Sanden:** 4732U1
Clutch: 7" (180mm) Poly 8 **R-134a**

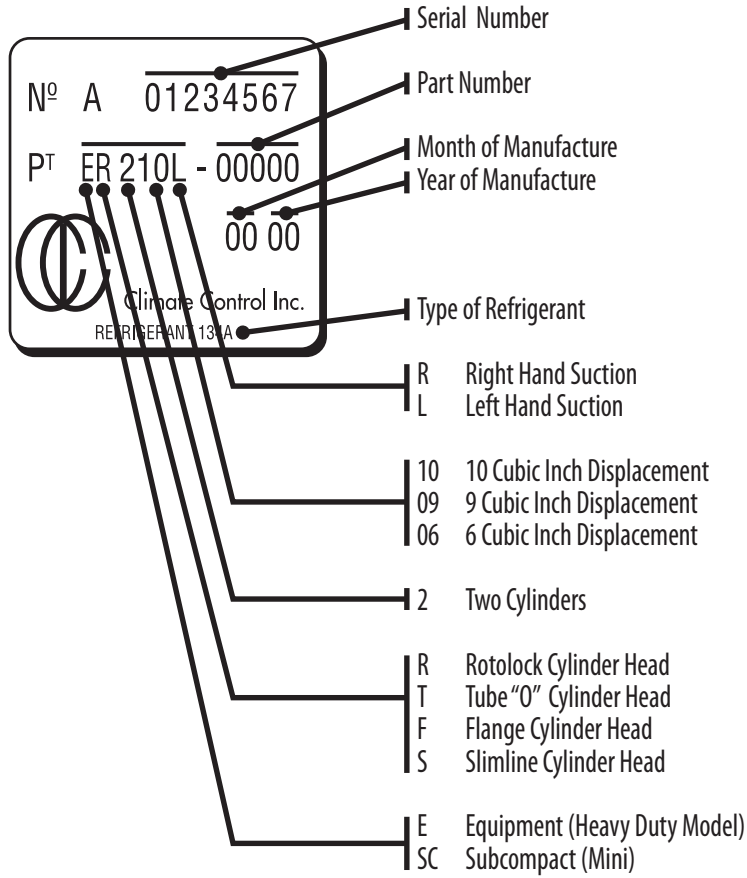


Image Not Available

IDENTIFYING CCI COMPRESSORS

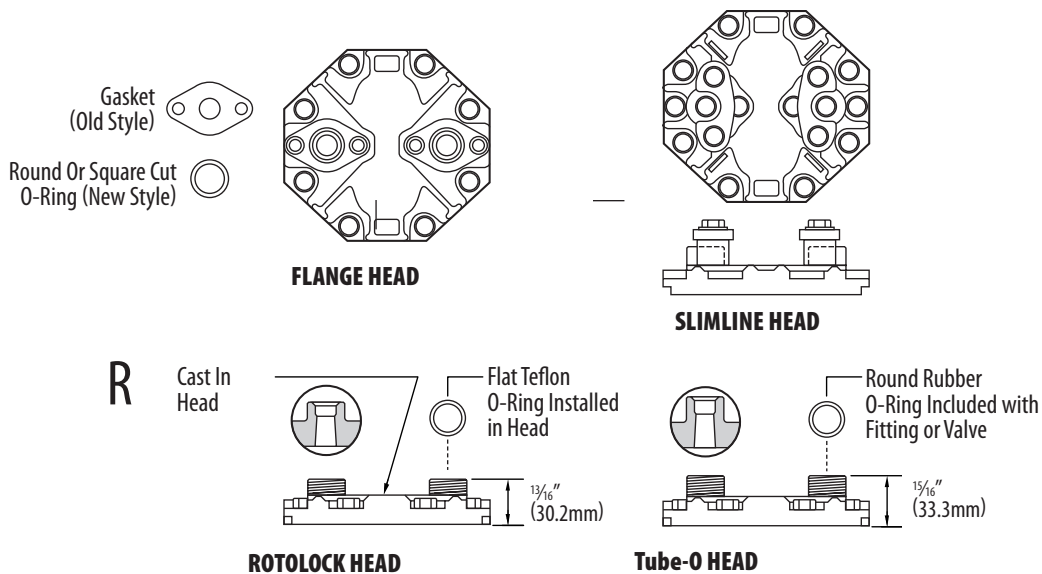
The metal nameplate located at the top front of the compressor serves as a means of identification. The location permits viewing the nameplate with the clutch installed.

Data inscribed on the nameplate includes the serial number, combination model/part number, date of manufacture and type of refrigerant.



COMPRESSOR

CCI HEAD TYPES



CCI/YORK/TECUMSEH COMPRESSORS



Bore	1.875 (47.6mm)
Stroke	1.876 47.4mm)
Displacement per Revolution	10.3 cu. in. (170cc)
Number of Cylinders	2
Maximum Allowable Continuous R.P.M. (Normal Operating Conditions)	6,000
Refrigerant	R-12/R134A
Oil (PAG)	10 fl. oz. (200cc)
Weight	14.6 lbs. (6.6 kg.)
Rotation	Clockwise or Counter Clockwise

OE Model No.	Fitting Size	Red Dot Part No.	Factory Part No.	Note	Clutch Type	Gauge Line	Number of Wires Connector Type	Red Dot Clutch Part No.	RD Factory Clutch Part No.
--------------	--------------	------------------	------------------	------	-------------	------------	--------------------------------	-------------------------	----------------------------

ROTOLOCK, 12 VOLT

LH Suction, R-12/R134a

ER210L-21237 ER210L-25062 ER210L-25149, 99242-5	1/2" x 5/8"	75R7280	RD-5-8637-0P	1	Supplied without clutch	N/A	N/A	See clutch section	
ER210L-21237 ER210L-25427	1/2" x 5/8"	75R7285	RD-5-8060-1P	3	Supplied without clutch	N/A	N/A	See clutch section	

TUBE-O-RING, 12 VOLT

LH Suction, R-12/R134a

ET210L-21160 ET210L-25061 ET210L-25150,-C 99244-5	1" - 14	75R7290	RD-5-8638-0P	1	Supplied without clutch	N/A	N/A	See clutch section	
ET210L-25073C	1" - 14	75R7312	RD-5-11217-0P	5	6", 2 Groove, 1/2"	1 5/8"	1, Weatherpak	75R1202	RD-5-4972-1P
ET210L-25237C	1" - 14	75R7322	RD-5-11218-0P	5	6", 2 Groove, 1/2"	1 5/8"	2, Metripak	75R1302	RD-5-9456-0P
ET210L-25240C	1" - 14	NA	RD-5-14049-0P	5	5 3/4", Poly 6, .014"	2"	2, Metripak	75R0502	RD-5-10363-0P
ET210L-25246C	1" - 14	75R7332	RD-5-11219-0P	5	6 1/8", Poly 8, .014"	1 15/16"	2, Metripak	75R0682	RD-5-10365-0P
ET210L-21160 ET210L-25428 ET210L-25428C	1/2" x 5/8"	75R7295	RD-5-8061-1P	3	Supplied without clutch	N/A	N/A	75R1202	RD-5-4972-1P
ET210L-25405C	1" - 14	75R7342	RD-5-14641-0P	1	6", 1 Groove, 1/2"	2.71	1	N/A	N/A
ET210L-25406C	1" - 14	75R7352	RD-5-14642-0P	1	6 1/4", 1 Groove, 1/2"	2.71	1	N/A	N/A

SLIMLINE SERIES HEAD

INSERT TUBE, R-12/R134a

ES210L-25334	1" - 14	75R7300	RD-5-10029-0P	Note 5	Supplied without clutch	N/A	N/A	See clutch section	
--------------	---------	----------------	---------------	--------	-------------------------	-----	-----	--------------------	--

MINI STAT-O-SEAL

LH Suction, R-12/R134a

ES210L-25334C	1" - 14	75R7300	RD-5-10029-0P	Note 5	Supplied without clutch	N/A	N/A	See clutch section	
---------------	---------	----------------	---------------	--------	-------------------------	-----	-----	--------------------	--

Notes: Generic Compressors are OEM factory built but may contain noncritical reconditioned components

- | | |
|---|--|
| 1 Universal, Standard Duty with Super Screws, Felt Ring, PRV and Ester Oil | 5 OE Replacement, Standard Duty |
| 2 Standard Generic, with Super Screws, Felt Ring, PRV and Ester Oil | 6 Tube O with Ford Connector |
| 3 Super HD Generic, with Super Screws, Felt Ring, PRV and Ester Oil | |
| 4 Rotolock with 2 Groove clutch | |

COMPRESSOR ACCESSORIES

COMPRESSOR SERVICE PARTS

75R5200 RD-5-8334-0M

CCI And Tecumseh Keyway — 10 Per Package



75R5201 RD-5-9979-0M

Sanden Shaft Key 508/510/709 — 10 Per Package



75R5520 RD-5-3698-0M

Teflon Rotolock Compressor Gasket Seal
10 Per Package
IHC/Navistar
ZGG19499



75R5525 RD-5-9806-0M

O-Ring Seal fits Sanden FLX7 fitting adapters
GM A6 DAG, HR6, R4, R5 compressor
Suction/Discharge Port O-Ring
10 Per Package



75R5540 RD-5-5401-0M

Plastic Schrader Port Cap — 10 Per Package
3/16" charging port



75R5555 RD-5-11325-0M

E-Z Clip Low Side Cap
20 Per Package



75R5556 RD-5-11223-0M

E-Z Clip High Side Cap
20 Per Package



75R5560 RD-5-7523-0M

13mm Low Side Service—Black — 25 Per Package
valve cap with neoprene seal;
OE & aftermarket type R-134a ports



75R5565 RD-5-8293-0M

13mm Low Side High Flow Valve Cap with neoprene
seal—Blue, R-134a port — 10 Per Package



75R5570 RD-5-7524-0M

16mm High Side Service Flow Valve Cap with
neoprene seal — Black — 25 Per Package



75R5575 RD-5-8292-0M

16mm High Side High Flow Valve Cap with
neoprene seal — Red — R-134a Eaton OEM SSV
10 Per Package



75R5700 RD-5-4997-0M

Adapter converts Rotolock To Tube O-Ring
2 Per Package



75R5705 RD-5-9812-0P

Converts Tube O-Ring To Rotolock adapter



79R4597 RD-5-11568-0P

Sanden Oil Dip Stick



SCHRADER ADAPTER FITTINGS

70R5100 RD-5-6098-0M

3/8-24 UNF-2A Male Thread with Bulkhead Type Seal
Using a 2-012 O-Ring for Installation in Receiver
Drier Pressure Ports
10 per package



70R5110 RD-5-6691-0M

Refrigeration Valve Core for Schrader Valves
10 per package



70R5115 RD-5-9084-0M

Valve Core for 134A Fittings — High Flow
10 per package



70R5120 RD-5-9809-0M

Eaton 13mm SSV High Flow-High Side
10 per package



70R5125 RD-5-9810-0M

Eaton 16mm SSV High Flow-Low Side
10 per package



79R8945 RD-5-12674-0P

High Flow Schrader Valve Core Remover/Installer
Tool



COMPRESSOR COMPONENTS

LS = Limited to stock on hand

SERVICE PORTS AND ADAPTERS

IN-LINE SERVICE PORT

- 75R5806** RD-5-7306-0P #6
- 75R5808** RD-5-7539-0P #8
- 75R5801** RD-5-7310-0P #10



STEEL HIGHSIDE CHARGE ADAPTER

All include valve core, neoprene O-ring and threadlock

- 75R5825** RD-5-9816-0P 13mm
1/4" (7/16 - 20) Threads
Blue Cap – Low Side
- 75R5824** RD-5-9815-0P 16mm
1/4" (7/16 - 20) Threads
Red Cap – High Side



CHARGE ADAPTER KIT WITH SCHRADER INSERT

- 75R5815** RD-5-7964-0P



CHARGE FITTINGS

- 75R5813** RD-5-7277-0M Lowside 134a Fitting
- 75R5814** RD-5-7278-0M Highside 134a Fitting
(for use on hard lines)
- 75R5833** RD-5-9218-0M Lowside 134a Fitting
- 75R5834** RD-5-9219-0M Highside 134a Fitting
(for use on hard lines)



HD RETROFIT ADAPTER KIT

79R8940

RD-5-9986-0P



90° CHARGE ADAPTERS

All include valve core, neoprene O-ring and threadlock

- 75R5819** RD-5-8850-0P Lowside 90°
134A Charge Adapter with
1/4 (7/16-20) Thread
13mm, Blue Cap
- 75R5820** RD-5-8851-0P Highside 90°
134A Charge Adapter with
1/4 (7/16-20) Thread
Red Cap



90° GM SERVICE FITTING WITH PORT

- 75R5858** RD-5-7438-0P #8
- 75R5852** RD-5-7488-0P #12



90° COMPRESSOR PORT REVERSED

- 75R5832** RD-5-7489-0P #12



ST GM SERVICE FITTING WITH PORT

- 75R5842** RD-5-7487-0P #12



COMPRESSOR COMPONENTS

COMPRESSOR O-RING FITTING

USED ON SANDEN ONLY WITH "C" OR "M" HEAD

75R5878S RD-5-8402-0P

#8 Straight Female Tube-O with 134a Port Fits Sanden "M" Heads



75R5718 RD-5-5396-0P

#8 O-Ring to 1" x 14 O-Ring with Schrader port



LS = Limited to stock on hand

COMPRESSOR ACCESSORIES

COMPRESSOR SERVICE FITTINGS

Hose End Fitting Type	Hose End Fitting	Size	Valve Type	Port Description / Location	Red Dot Part No.	Red Dot Factory No.
ROTOLOCK HEAD						
Port Charge Type - R-134a						
O-Ring	8	3/4"	Backseat	16mm (Hi Side)	75R5698	RD-5-9813-0P
O-Ring	8	3/4"	Service Fitting	-	75R5668	RD-5-7318-0P
O-Ring	8	3/4"	Service Fitting	16mm (Hi Side)	75R5688	RD-5-7966-0P
Beadlock	8	3/4"	Service Fitting	16mm (Hi Side), Top	75R5728	RD-5-9952-0P
O-Ring	10	7/8"	Backseat	13mm (Lo Side)	75R5691	RD-5-9814-0P
O-Ring	10	7/8"	Service Fitting	-	75R5661	RD-5-7320-0P
O-Ring	10	7/8"	Service Fitting	13mm (Lo Side)	75R5681	RD-5-7967-0P
Beadlock	10	7/8"	Service Fitting	13mm (Lo Side), Top	75R5721	RD-5-9953-0P
Beadlock	12	1 1/16"	Service Fitting	13mm (Lo Side)	75R5722	RD-5-9955-0P

TUBE O-RING

Port Charge Type - R-134a						
O-Ring	8	3/4"	Backseat	16mm (Hi Side)	75R5738	RD-5-9910-0P
O-Ring	8	3/4"	Service Fitting	16mm (Hi Side)	75R5648	RD-5-7613-0P
Beadlock	8	3/4"	Service Fitting	16mm (Hi Side)	75R5678	RD-5-7430-0P
O-Ring	8	3/4"	Service Fitting	16mm (Hi Side)	75R5808	RD-5-7539-0P
O-Ring	8	3/4"	Service Fitting	16mm (Hi Side)	75R5768	RD-5-7688-0P
O-Ring	10	7/8"	Backseat	13mm (Lo Side)	75R5731	RD-5-9956-0P
O-Ring	10	7/8"	Service Fitting	13mm (Lo Side)	75R5641	RD-5-7614-0P
Beadlock	10	7/8"	Service Fitting	13mm (Lo Side)	75R5671	RD-5-7456-0P
O-Ring	10	7/8"	Service Fitting	13mm (Lo Side)	75R5761	RD-5-7690-0P
O-Ring	10	7/8"	Service Fitting	13mm (Lo Side)	75R5801	RD-5-7310-0P
Beadlock	12	1 1/16"	Service Fitting	13mm (Lo Side)	75R5672	RD-5-7480-0P
Port Charge Type - R-12						
O-Ring	8	3/4"	Backseat	1/4" (7/16 -20), Top	75R5658	RD-5-5197-0P
O-Ring	8	3/4"	Service Fitting	1/4" (7/16 -20)	75R5718	RD-5-5396-0P
O-Ring	10	7/8"	Backseat	1/4" (7/16 -20)	75R5651	RD-5-5198-0P

COMPRESSOR COMPONENTS

75R5641 RD-5-7614-0P

#10 Tube-O Compressor Fitting
O-Ring Type Fitting
R-134a



75R5648 RD-5-7613-0P

#8 Tube-O Compressor Fitting **LS**
O-Ring Type Fitting
R-134a



75R5651 RD-5-5198-0P

#10 Tube-O Compressor Fitting **LS**
O-Ring Type Fitting
Backseat Valve Type
R-12



75R5658 RD-5-5197-0P

Tube-O Compressor Fitting **LS**
#8 O-Ring Type Fitting
Backseat Valve Type
R-12



75R5661 RD-5-7320-0P

Rotolock Compressor Fitting
#10 O-Ring Type Fitting
R-134a



75R5668 RD-5-7318-0P

Rotolock Compressor Fitting
#8 O-Ring Type Fitting
R-134a



75R5671 RD-5-7456-0P

Tube-O Compressor Fitting
#10 O-Ring Type Fitting
R-134a



75R5672 RD-5-7480-0P

Tube-O Compressor Fitting
#12 Hose Fitting
Service Fitting Valve



75R5678 RD-5-7430-0P

Tube-O Compressor Fitting
#8 Hose Fitting
R-134a



LS = Limited to stock on hand

COMPRESSOR SERVICE FITTINGS

75R5681 * RD-5-7967-0P

Rotolock Compressor Fitting
#10 Hose Fitting
R-134a



75R5688 * RD-5-7966-0P

Rotolock Compressor Fitting
#8 O-Ring Type Fitting
R-134a



75R5691 RD-5-9814-0P

Rotolock Compressor Fitting
#10 O-Ring Type Fitting
Backseat Valve Type
13mm, 7/8"-14 thread
R-134a



75R5698 RD-5-9813-0P

Rotolock Compressor Fitting
#8 O-Ring Type Fitting
Backseat Valve Type
16mm, 3/4"-16 thread
R-134a



75R5718 * RD-5-5396-0P

#8 Tube-O to 1" X 14 O-Ring
with Schrader Port
R-12



75R5721 RD-5-9953-0P

Rotolock Compressor Fitting
#10 Hose Fitting
R-134a



75R5722 RD-5-9955-0P

Tube-O Compressor Fitting
#12 Hose Fitting
R-134a



75R5728 RD-5-9952-0P

Rotolock Compressor Fitting
#8 Hose Fitting
R-134a



75R5731 RD-5-9956-0P

Tube-O Compressor Fitting
#10 O-Ring Type Fitting
Backseat Valve Type
R-134a



75R5738 RD-5-9910-0P

Tube-O Compressor Fitting
#8 O-Ring Type Fitting
Backseat Valve Type
R-134a



75R5761 RD-5-7690-0P

#10 Tube-O Compressor Fitting
O-Ring Type Fitting
R-134a
Converts Tube-O to
Male Insert O-Ring



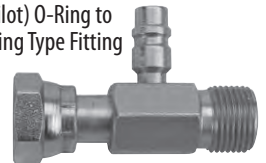
75R5768 RD-5-7688-0P

#8 Tube-O Compressor Fitting
O-Ring Type Fitting
R-134a
Converts Tube-O to
Male Insert O-Ring



75R5801 RD-5-7310-0P

#10 Female (Long Pilot) O-Ring to
#10 Male Insert O-Ring Type Fitting
With R-134a
Service Port



75R5808 RD-5-7539-0P

#8 Female (Long Pilot) O-Ring to
#8 Male Insert O-Ring Type Fitting
With R-134a Service Port



**COMPRESSOR
COMPONENTS**

LS = Limited to stock on hand

COMPRESSOR ACCESSORIES

SANDEN COMPRESSOR ADAPTER BRACKETS

75R6000

RD-5-5031-0P

Fixed compressor adapter bracket will mount Sanden compressor to most Tecumseh or York brackets.



75R6010

RD-5-5032-0P

Adjustable compressor adapter bracket to fit Sanden mount holes



75R6015

RD-9-1150-0P

Compressor bracket for Sanden Only



75R6016

RD-9-9457-0P

3/16 Compressor Adjuster



75R6017

RD-9-1068-0P

Adjusting Arm



75R6018

RD-9-9910-0P

Ram Horn



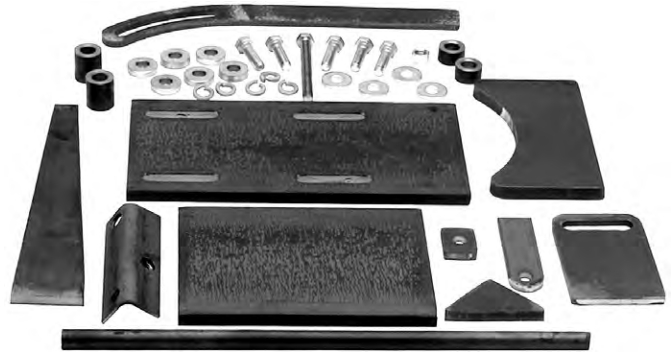
COMPRESSOR ADAPTER BRACKETS

Brackets useful in designing mounts for unique engine applications

75R6020

RD-9-1048-0P

CCI/Tecumseh



75R6030

RD-9-1049-0P

Sanden



75R6040

RD-5-6547-0P

Belt Tensioner Pulley Kit Diameter 3 3/8" Belt Size: 1/2"



75R6041

RD-5-6415-0P

Belt Idler Pulley Kit Diameter 3 3/8" Belt Size: 1/2"

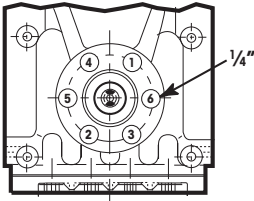


COMPRESSOR COMPONENTS

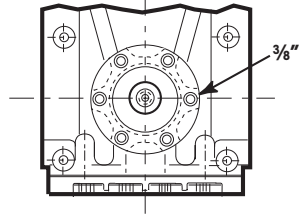
LS = Limited to stock on hand

**TECUMSEH/YORK/CCI
SHAFT SEAL KITS**

6 Bolt – 1/4" Heads



6 Bolt – 3/8" Heads



75R6500 RD-5-8339-0P

CCI And Tecumseh Shaft Seal Kit 6 Bolts-3/8" Head



75R6510 RD-5-8338-0P

CCI Shaft Seal Kit 6 Bolts-1/4" Head



**ZEXEL/SANDEN
SHAFT SEAL KITS**

75R6530 RD-5-8340-0P

Zexel (Diesel Kiki)



75R6540 RD-5-8335-0P

Sanden SD508-SD510



75R6545 RD-5-7704-0P

Sanden 7H15,
7H15HD



75R6550 RD-5-8336-0P

Sanden SD709



**COMPRESSOR
COMPONENTS**

COMPRESSOR MOUNT KIT & CLUTCH APPLICATION

Mount kits contain all components and hardware required to mount compressor to engine.
Drive belt supplied with all kits except 75R9000 & 75R9895.

Manufacturer	Year	Engine	Clutch	R-134a Compressor	R-134a Charge Fitting	Compressor Mount Kit Number	Belt No.†
MULTI-USE							
		Cat 3406B 6 Cyl 893 cu. in. 14.6 Liter		75R8382 75R8384		75R9780	G9550
		Cummins "N" Series 14 Liter (855 cu. in.) 300 thru 444 H.P. with second groove from engine open (accessary drive)		75R8382 75R8384		75R9890	G9550
		Cat 3176		75R8382		75R9545	
	1990-95	Cummins L-10		75R8382 75R8384		75R9625	G9530
	1994-	Cummins M11		75R8382 75R8384		75R9625	G9530
		Cummins 4BT & 6BT without idler pulley		75R8382 75R8384		75R9895	
	1992-95	Cummins 6BT - 5.9 Ltr. without air injection pump		75R8382 75R8384		75R9795	
	1991-95	Cummins 6C/6CT/6CTA 8.3L		75R8382 75R8384		75R9785	
AUTOCAR							
	1966-89	Cummins "N"		75R8382		75R9670	
	1970-89	Detroit Diesel 6V or 8V-92	75R1202	75R7280	75R5681** 75R5688**	75R9060	G9375
BUCYRUS							
		Erie 88B Excavator		Cummins KT1150 75R8372 75R8374		75R9835	
BOMAG							
		BW 851 Compactor		Cummins 1150 75R8372 75R8374		75R9835	
		K351 Compactor		Cummins 855 75R8422 75R8424		75R9870	

IMPORTANT - READ THIS ENGINE MOUNT AND DRIVE ADAPTABILITY

IMPORTANT Minor modifications are occasionally necessary and are considered part of an installation. These kits are designed to fit vehicles with standard equipment. Each model adapter kit is thoroughly checked by installation of the bracket on a standard vehicle. The addition of special or optional equipment may interfere with normal installation. Compressor mounts are an accessory, and are of no concern to the engine manufacturer. Casting dimensions and bosses utilized in the bracket mounting vary as they are of no value to the engine manufacturer. Extra tolerances have been built into the bracket to compensate for these differences. It is important that proper pulley alignment

be assured before final tensioning of the mounting bolts. If sufficient tolerance has not been allowed for that particular engine, further modification, such as elongating a hole or reshaping a strap, may be necessary to achieve proper alignment and fit. Some installations may require a slight modification or rearrangement of radiator mounting, gas or water lines for proper clearance. Trucks are quite often custom built, and you may find differences in the supplier of power steering and other accessory equipment. It may be necessary to purchase a special accessory pulley, which is not furnished in the kit, from the truck distributor.

** For R12 installations use 75R5611 and 75R5618 Service Valves

† G = Gates D = Dayco GY = Goodyear

COMPRESSOR MOUNT KIT & CLUTCH APPLICATION

Manufacturer	Year	Engine	Clutch	R-134a Compressor	R-134a Charge Fitting	Compressor Mount Kit Number	Belt No.†
CASE							
580L, 480E, 480F Backhoe		Cummins 4-390		75R8422 75R8424		75R9840	
680L, 780D Backhoe		Cummins 6-590		75R8422 75R8424		75R9840	
580 Super E Backhoe		Cummins 4-390		75R8422 75R8424		75R9840	
680K Backhoe		Cummins 4-390		75R8422 75R8424		75R9840	
550G Crawler		Cummins 4-390		75R8422 75R8424		75R9840	
450C, 455 Crawler		Cummins 4-390		75R8422 75R8424		75R9840	
860 Trencher		Cummins 4-390		75R8422 75R8424		75R9840	
W11B Wheel Loader		Cummins 4-390		75R8422 75R8424		75R9840	
CATERPILLAR							
325, 322, 920, 950E & 966C		3116, 3304, 3306, 3322, 3325 Excavator		75R8384		75R9970	G7380
824C, 825C, 326C, 245, 245B & 980C		3406		75R8384		75R9535	G9600, G9690
768C, 769C, 772B & 773B		3408, 3412		75R8384		75R9615	G9480
950F		31,143,116		75R8384		75R9635	G9710
215, 225, 229 Excavator		3304		75R8422 75R8424		75R9973	D17501
225, EL 240 Excavator		3304		75R8422 75R8424		75R9815	
515, 518, 528, 530B Skid Steer		3304 & 3306		75R8422 75R8424		75R9815	
615 Scraper		3306		75R8422 75R8424		75R9815	
627B, 627E, with Low Crank Driven Alternator		3306		75R8422 75R8424		75R9815	
631D, 631E Scraper		3408		75R8422 75R8424		75R9565	
633C Scraper		D343		75R8422 75R8424		75R9810	
633E, 651E Scraper		3408 & 3412		75R8422 75R8424		75R9565	
637A, 637D Scraper		3408		75R8422		75R9565	
769C Haul Truck		3408		75R8422 75R8424		75R9565	
814, 815, 816 Compactor		3306		75R8422 75R8424		75R9973	D17500, GY17501

** For R12 installations use 75R5611 and 75R5618 Service Valves

† G = Gates D = Dayco GY = Goodyear

COMPRESSOR MOUNT KIT & CLUTCH APPLICATION

Manufacturer	Year	Engine	Clutch	R-134a Compressor	R-134a Charge Fitting	Compressor Mount Kit Number	Belt No.†
CATERPILLAR							
814B, 815B, 816B Compactor		3306		75R8422 75R8424		75R9973	D17500, GY17501
824C, 825C Compactor		3406		75R8422 75R8424		75R9565	
920, 930, 950, 966C Wheel Loader		3304 & 3306		75R8422 75R8424		75R9973	D17500, GY17501
920, 930, 980B Wheel Loader		3304 & 3306		75R8422 75R8424		75R9973	D17500, GY17501
951C Crawler Loader		3304		75R8422 75R8424		75R9973	D17500, GY17501
955, 977L Crawler Loader		3304 & 3306		75R8422		75R9973	D17500
988B, 988C, 992C Wheel Loader		3408 & 3412		75R8422 75R8424		75R9565	
D22B, D25C, D250B, D35C, D300B, D330B, D350B, D350C		3306		75R8422 75R8424		75R9820	
D4E, D6D, Crawler		3304 & 3306		75R8422 75R8424		75R9973	D17500
D6C, D5B Crawler		3306		75R8422 75R8424		75R9973	D17500
D6D Crawler with Scroll injector		3306		75R8422 75R8424		75R9815	
D6H Crawler		3306		75R8422 75R8424		75R9815	
CHAMPION							
740 Motor Grader		Cummins 855				75R9870	
DIAMOND REO							
Conventional or C.O.E. Cab	1975-89	Detroit Diesel 6V or 8V-92	75R1202	75R7280	75R5681** 75R5688**	75R9060	
DRESSER							
TD 20G, TD 25G, TD 40		Cummins 1150		75R8372 75R8374		75R9835	
568, 560B Wheel Loader		Cummins 1150		75R8372 75R8374		75R9835	
558 Wheel Loader		Cummins 855		75R8422 75R8424		75R9870	
EUCLID							
R-25, R-35 Haul Truck		Cummins 855		75R8422 75R8424		75R9870	
FMC							
LS 7400 Excavator		Cummins 1150		75R8372 75R8374		75R9835	

** For R12 installations use 75R5611 and 75R5618 Service Valves

† G = Gates D = Dayco GY = Goodyear

COMPRESSOR MOUNT KIT & CLUTCH APPLICATION

Manufacturer	Year	Engine	Clutch	R-134a Compressor	R-134a Charge Fitting	Compressor Mount Kit Number	Belt No.†
FORD							
L Models CL-9500	1997 -	Cummins M-11		75R8382		75R9550	
	1966-89	Cummins "N"		75R8382		75R9670	
CL-9000	1967-89	Detroit Diesel 6V or 8V-71	75R1202	75R7280	75R5681** 75R5688**	75R9060	G9375
GALION							
118C Motor Grader		Cummins 855		75R8422 75R8424		75R9870	
GMC/CHEVROLET See WHITEGMC for information on Astro, Brigadier and General.							
H, J, & M Series	1971-89	Detroit Diesel 6V or 8V-71	75R1202	75R7280	75R5681** 75R5688**	75R9060	G9375
HITACHI							
UH801 Excavator		Cummins 1150		75R8372 75R8374		75R9835	
INTERNATIONAL / NAVISTAR							
S Series	1983-89	V/8 International 6.9 Liter, 421 cu. in.		75R8382		75R9530	G9750
2200-2500. 2600	1979-90			75R8382		75R9980	G9420
	1994-00	DT-408/DT-466		75R8382		75R9985	
S Series 2200-2500 F Series 2200-2500 & 2600	1983-94	Cummins 6 Cylinder L-10		75R8382		75R9540	G9560
JOHN DEERE							
444H		4045T		75R8354		75R9400	G9505
490E		4045T		75R8354		75R9715	
544H						75R9405	
544/624		6059T, 6-414, 4039D, 4239D, 4045D, 4045T		75R8384 75R8374 75R8374		75R9585, 75R9645	G9520, G9390
624H						75R9410	
690E/790E		6068T		75R8384		75R9710	G9476

** For R12 installations use 75R5611 and 75R5618 Service Valves

† G = Gates D = Dayco GY = Goodyear

COMPRESSOR MOUNT KIT & CLUTCH APPLICATION

Manufacturer	Year	Engine	Clutch	R-134a Compressor	R-134a Charge Fitting	Compressor Mount Kit Number	Belt No.†
744E/992E,D		6101A/6101AT		75R8384		75R9805	G9440
KENWORTH							
	1966-89	Cummins "N"		75R8382		75R9670	
CONV & COE	1966-89	Detroit Diesel 6V or 8V-71, 6V or 8V-92	75R1202	75R7280	75R5681** 75R5688**	75R9060	G9375
KOMATSU							
WA500 Wheel Loader		SA6D140		75R8384		75R9595	G9335
WS 235-1 Scraper		Cummins 1150		75R8372 75R8374		75R9835	
PC 400LC5 Excavator		S6D125-1		75R8422 75R8424		75R9845	
WA470, WA450-1L Wheel Loader		S6D125		75R8422 75R8424		75R9845	
WA450-3 Wheel Loader		SA6D125E-2		75R8422 75R8424		75R9845	
D41P-6 Crawler		S6D102E-1		75R8422 75R8424		75R9860	
PC150-6 Excavator		SA4D102E		75R8422 75R8424		75R9860	
WA250-3 Wheel Loader		S6D102E-1		75R8422 75R8424		75R9860	
WA500 Wheel Loader		Cummins 855		75R8422 75R8424		75R9870	
PC400LC5 Excavator		Cummins L-10		75R8422 75R8424		75R9875	
WA 450-3 Wheel Loader		Cummins LTA-10		75R8422 75R8424		75R9875	
LIEBHERR							
962, 972, 974, 982 Excavator		Cummins 855		75R8422 75R8424		75R9870	
MACK							
R Models	1972-87	6 Cylinder Mack 675, 676 & 685 END-T, with or without Turbocharger		75R8382		75R9500	G9400
R, "U" & "DM" Models	1972-89	6 Cylinder Mack 675, 676 & 685 END-T, with or without Turbocharger, 2 or 4 Valve Head with United Technology or Bosch 6000 Fuel Injector System & Cast Aluminum Timing Cover		75R8382		75R9500	G9400
	1966-89	Cummins "N"		75R8382		75R9670	
		E6 Serial #T396BR192 and E7 All		75R8382		75R9515	G9495

** For R12 installations use 75R5611 and 75R5618 Service Valves

† G = Gates D = Dayco GY = Goodyear

COMPRESSOR MOUNT KIT & CLUTCH APPLICATION

Manufacturer	Year	Engine	Clutch	R-134a Compressor	R-134a Charge Fitting	Compressor Mount Kit Number	Belt No.†
MANITOWOC							
M-250, 3900, 4100 Crane		Cummins N14		75R8422 75R8424		75R9870	
MARMON							
HDT & "CHDT"	1977-89	Detroit Diesel 8V-92	75R1202	75R7280	75R5681** 75R5688**	75R9060	G9375
PETERBILT							
Conventional & COE Cab	1963-89	Detroit Diesel 6V or 8V-71	75R1202	75R7280	75R5681** 75R5688**	75R9060	G9375
TEREX							
3308 Haul Truck		Cummins KTTA19C		75R8372 75R8374		75R9835	
S24C Scraper		Cummins 1150		75R8372 75R8374		75R9835	
WESTERN STAR							
	1966-89	Cummins "N"		75R8382		75R9670	
WHITE GMC							
	1966-89	Cummins "N"		75R8382		75R9670	
	1966-89	Cummins "N"		75R8382		75R9670	
	1966-89	Cummins "N"		75R8382		75R9670	
WHITE GMC							
Bruin or Brigadier	1979-89	Detroit Dsl. 6V/8V-71 with Hydraulic Clutch Fan Only	75R1202	75R7280	75R5681** 75R5688**	75R9060	
	1966-89	Cummins "N"		75R8382		75R9670	
Titan & Bison Brigadier, Bruin	1977-89	Detroit Diesel 6V or 8V without Hydraulic Fan	75R1202	75R7280	75R5681** 75R5688**	75R9060	

** For R12 installations use 75R5611 and 75R5618 Service Valves

† G = Gates D = Dayco GY = Goodyear

CONDENSER DESCRIPTIONS

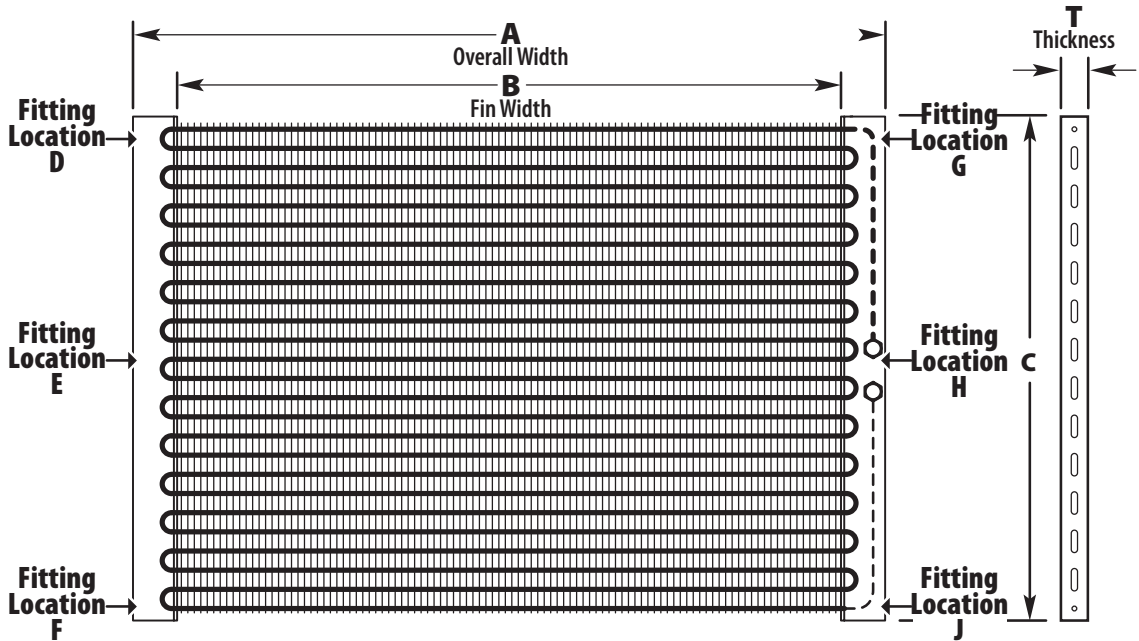
CONDENSER COIL TYPE

SERPENTINE TYPE - Continuous extruded aluminum tube, $\frac{3}{4}$ to 2 inches thick. The fin is either skyve type or vacuum brazed ribbon type spaced approximately 14 fins per inch. High heat rejection, compact size exact O.E.M. replacements.

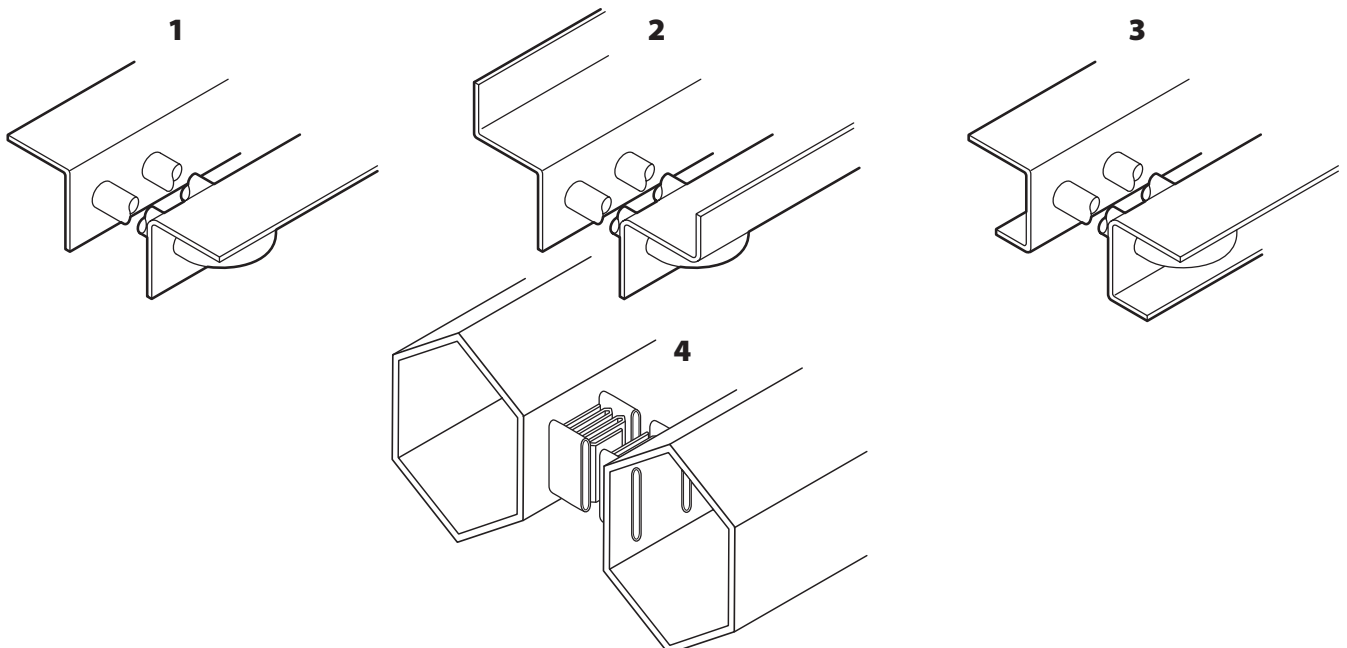
TUBE AND FIN TYPE - Constructed with .008 thick aluminum corrugated fin $\frac{3}{4}$ to 2 $\frac{1}{2}$ inches in thickness. Fin spacing at 10 to 12 fins per inch providing maximum heat rejection. Tubes are either copper or aluminum.

GRILLDENSER TYPE - Constructed with .030 to .050 aluminum, fins are $\frac{3}{4}$ of an inch thick. Fins are spaced at 2 to 4 fins per inch providing minimal air flow restriction. Tubes are either .035" wall aluminum or .022" wall copper.

MULTI FLOW - Constructed with .0051 thick zinc coated cross flow tubes. Fin spacing is 14 fins per inch. Four pass design.



TYPICAL HEADER TYPES



CONDENSER SPECIFICATIONS

Listed in ascending order by **Overall Width x Height x Depth**

DIMENSIONS				FITTINGS		HEADER			COIL			Red Dot Part No.	Factory No.	UPS Ship
[A] Overall Width	[B] Fin Width	[C] Height	[T] Thickness	#6 (5/8")	#8 (3/4")	FPI	Type	Mat	Type	Mount Location	Application			
14	11 11/32	14	3/4	F	D	-	-	-	MF	-	Fits RD-4-5932-OP Power Condenser	77R1325	RD-4-6091-OP	N
14	11 11/32	14	7/8	F	D	-	-	-	MF	-	R-20505-OP	77R1275	RD-4-5722-OP	Y
18	16 1/4	14	3/4	F	D	20	3	A	MF	A	General Purpose	77R1285	RD-4-5361-OP	Y
19	18	19 1/4	1 7/16	D,F	-	12	1	C	TF	R	General Purpose	77R0670	RD-4-4414-OP	Y
20	18"	24 3/8"	1 1/4"	G	G	-	-	A	-	R	1994-1998 MR, all with factory A/C	77R8320	RD-4-7352-OP	
21	19 1/2	24	3/4	D	D	-	-	-	-	-	Navistar 5000 series 05-07	77R0115	RD-4-7279-OP	Y
21	19 1/2	24	3/4	D	D	-	-	-	-	-	International 4200, 4300, 4400, 8500 01-06	77R0355	RD-4-7280-OP	Y
21	19 1/2	24	7/8	G	G	-	-	-	-	-	International 4000, 7000-9000 Eagle 01-05	77R0635	RD-4-7281-OP	Y
21 1/2	19 1/2	24	5/8	D	F	-	-	-	-	-	International ProStar 8000 series 08-10	77R0675	RD-4-7282-OP	Y
21 3/4	18 3/4	12	-	-	-	-	-	-	-	-	Tripac 67-2145, 67-2363, 67-2494	77R8370	RD-4-7474-OP	
21 3/4	18 13/16	14	3/4	J	G	14	-	-	MF	R	General Purpose	77R1290	RD-4-5378-OP	Y
21 3/4	19 3/4	19 1/2	3/4	E	E	-	-	-	-	-	International 7100 series 01-06	77R0095	RD-4-7278-OP	Y
22 1/2	18 1/2	7 3/32	2 1/2	H,H	-	12	3	C	TF	-	R-9725	77R0090	RD-4-4440-OP	Y
22 5/8	19 5/8	10 1/8	2 3/4	G	G	12	3	C	TF	-	R-9727	77R0350	RD-4-3586-OP	Y
23 1/2	23 1/2	9 1/2	3	F	D	-	-	A	TF	R	-	77R8385	RD-4-7544-OP	
23 1/3	20 7/8	12	3 1/3	G	G	12	2	C	TF	-	R-6100 & R-6160	77R0620	RD-4-4738-OP	Y
23 3/4	20 7/8	11 7/16	1 7/8	F	F	12	2	C	TF	-	R6000, R6060	77R0500	RD-4-3874-1P	Y
24	21 1/8	26 1/2	1 1/2	G	J	6	2	C	TF	R	General Purpose	77R7050	RD-4-5760-OP	Y
24	21 5/8	12 1/2	2 7/8	E	E	12	3	C	TF	-	John Deere JD744E	77R7005	RD-4-4724-1P	Y
24	23	21	3/4	-	-	-	-	-	-	-	BHT P5631001	77R8355	RD-4-7386-OP	
24 1/16	21 5/8	12 1/2	2 7/8	E	E	12	3	C	TF	-	R-9737	77R0660	RD-4-4724-OP	Y
24 13/32	21 29/64	10 23/32	1	J	G	14	-	-	MF	-	R-4480, Caterpillar	77R1305	RD-4-12051-OP	Y
24 1/2	20	14 7/64	1 7/16	D	F	12	1	C	TF	-	General Purpose	77R0900	RD-4-4161-OP	Y
25	23	12 1/4	1 3/4	J	G	12	3	C	TF	R	General Purpose	77R0650	RD-4-3724-OP	Y
25 1/4	20 1/2	18 1/4	1 13/16	E	E	12	1	C	TF	-	R-1550, SK 100, 120, 150	77R7010	RD-4-5154-OP	Y
25 1/2	23	21 1/2	2 1/2	G	G	12	-	-	TF	-	R-6260	77R0630	RD-4-5122-OP	N
25 3/4	22 13/16	12	3/4	J	G	14	-	-	MF	R	General Purpose	77R1280	RD-4-5377-OP	Y
25 3/4	22 13/16	14	3/4	J	G	14	-	-	MF	R	General Purpose	77R1300	RD-4-5418-OP	Y
25 3/4	24	10 3/4	1	F	E	-	-	-	MF	-	Ford F Series	77R1320	RD-5-9560-OP	N
26	-	25 3/4	3/4	D	F	-	-	-	-	-	International 4900 Series 93-2000	77R0715	RD-4-7283-OP	Y
26 1/4	23	9 1/8	3	E,E	-	12	2	C	TF	-	R-9720	77R0110	RD-4-4069-1P	Y
	23 3/16	19 7/16	7/8	G	G	-	-	A	S	A	Ford F 600 / 900	77R1419	RD-4-5693-OP	Y
26 1/2	23 13/16	10 3/4	1 11/16	F	D	14	-	-	MF	R	R-2800, General Purpose	77R1295	RD-4-5503-OP	Y
26 1/2	24 1/2	25 1/2	7/8	D	F	-	-	-	-	-	International 9300 Series 93-98	77R0720	RD-4-7284-OP	Y
26 3/8	24 3/4	9 1/8	2 1/4	J	H	12	1	C	TF	-	Midliner R-2110	77R0260	RD-4-4130-OP	Y

KEY: **Mount Location:** R = Radiator Mount H = Hood Mount A = See APPLICATIONS Section for details
Depth = Includes motors
Header FPI = Fins Per Inch
Header Type = See illustration under CONDENSER DESCRIPTIONS
Header Mat = Material A = Aluminum C = Copper
Coil Type: TF = Tube & Fin S = Serpentine MF = Multi Flow GD = GrillDenser
Ship = UPS Shipping, Yes/No

CONDENSERS

CONDENSER SPECIFICATIONS

Listed in ascending order by Overall Width x Height x Depth

Overall Width	DIMENSIONS			FITTINGS		HEADER		Coil Type	Mount Location	Application	Red Dot Part No.	Factory No.	UPS Ship		
	[A] Fin Width	[B] Height	[C] Thickness	[T]	#6 (5/8")	#8 (3/4")	FPI							Type Mat	
—	25	17	1		G	H	—	—	TF	A	Ford Aerostar	77R1401	RD-4-5684-0P	Y	
—	25	17 1/2	1				—	—	A	S	A	Ford F 150 / 350	77R1407	RD-4-5687-0P	Y
—	25	18 3/4	1		H	H	—	—	TF	A	Ford Aerostar	77R1403	RD-4-5685-0P	Y	
27	25 1/4	14 7/8	3/4		F	G	—	—	—	S	R	Freightliner, West. Star	77R1100	RD-4-3917-0P	Y
27	25 1/2	18 1/4	3/4		G	J	12	3	C	TF		R-1550, SK200, 220	77R7020	RD-4-5116-0P	Y
27 3/4	23 1/2	19 3/4	3/4		F	E	—	—	A	MF	R		77R8380	RD-4-7472-0P	
28 1/16	21 1/2	26 1/2	1 1/4		G	G	9	1	A	TF	R	General Purpose	77R7100	RD-4-4968-0P	Y
28 3/8	26 1/2	26	3/4		E	E	3	1	—	GD	H	Mack RL/RS, 210RD48	77R6900	RD-4-3434-1P	Y
28 13/32	26 19/32	26 5/32	25/32		H	H	3	1	C	GD	R	R-10035-1,2,-3,-4	77R7000	RD-4-4713-0P	Y
	26 3/4	32 1/2	1		G	J	—	—	—	GD	A	Ford C, E Series	77R5240	RD-4-5681-0P	N
28 1/2	25 1/2	27 1/4	3/4		F	G	—	—	A	TF	R		77R8470	RD-4-7501-0P	
28 3/4	27 3/4	9 1/2	3		J	G	—	—	A	S	R	Mack 210RD413	77R7712	RD-4-5766-0P	N
28 3/4	25 3/4	18 1/4	3/4		F	G	—	—	A	TF	R		77R8485	RD-4-7504-0P	
29 1/4	26 1/2	21 1/2	1		G	D	—	—	A	—	R		77R8440	RD-4-7543-0P	
29 1/2	26	26 1/2	3/4		F	F	—	—	A	PF	R		77R8465	RD-4-7496-0P	
29 1/2	25 3/4	18 1/4	3/4		F	D	—	—	A	PF	R		77R8480	RD-4-7503-0P	
29 39/64	26 3/4	19 1/4	3/4		J	D	14	3	—	MF	A	General Purpose with brackets	77R1330	RD-4-5709-0P	N
29 5/8	26 5/8	15 1/2	3/4		J	G	14	—	—	MF	R	General Purpose	77R1310	RD-4-5379-0P	Y
29 13/16	27 3/4	15 3/4	3/4		J	G	—	—	A	S	R	White-Western Star	77R0950	RD-4-3916-0P	Y
30	27	19 3/4	1/2		J	G	—	—	A	—	R	2000-2008 Mack All	77R8335	RD-4-7358-0P	
30	28	28 5/16	1		F	F	—	—	A	S	R	Mack 210RD54M	77R7704	RD-4-5769-0P	
30 1/4	25 1/2	18 3/16	1 3/4		H	H	10	1	C	TF		International	77R0700	RD-4-3945-0P	Y
30 1/4	28 1/2	24 1/2	3/4		F	D	—	—	A	TF	R		77R8450	RD-4-7498-0P	
30 1/2	27 3/8	12 1/2	3 1/4		F	D	10	3	C	TF		R-9730	77R0800	RD-4-3646-0P	Y
30 3/4	25 1/2	15	3/4		F	F	—	—	A	PF	R		77R8400	RD-4-7531-0P	
30 7/8	28 1/4	32	3/4		E	E	4	2	C	GD	R	General Purpose	77R7800	RD-4-3722-0P	N
31	27 1/4	33 1/4	3/4		F	D	—	2	MF				77R6951	RD-4-6811-0P	
31	28	33 5/32	1 1/4		J	G	14	1	C	GD		Peterbilt 357,377,378, 379,385 Conventional	77R6950	RD-4-5658-0P	N
	28 1/4	23	1		G	G	—	—	A	S	A	Ford E Series	77R1405	RD-4-5686-0P	Y
31	28 1/4	28 1/2	1 1/2		—	—	—	—	—	TF		03-09 Conventional 330	77R0710	RD-4-7018-0P	N
31 1/2	30 1/4	20 1/2	3/4		F	G	—	—	A	PF	R		77R8425	RD-4-7534-0P	
31 3/4	26 3/4	24	3/4		F	G	—	—	A	PF	R		77R8415	RD-4-7535-0P	
32	28	20 1/2	3/4		H	H	—	—	A	PF	R		77R8395	RD-4-7529-0P	
32 1/8	31 7/8	27 1/4	7/8		E	E	4	1	C	GD	R	Kenworth T600A 86-93	77R6930	RD-4-3999-0P	N
32 1/4	30	17 5/8	1 3/8		C	C	12	1	C	GD		General Purpose	77R6955	RD-4-4613-1P	Y
32 1/2	28 1/2	20 7/8	3/4		D	F	10	1	A	GD	R	Kenworth T-400, T600A	77R6957	RD-5-12488-0P	Y
32 1/2	31 1/2	16 1/4	7/8		D	F	—	4	A	TF	R	Volvo VN 8084348, 20461065	77R0585	RD-4-6343-0P	Y
32 3/4	26	20	1/2		F	D	—	—	A	—	R	2008-2012 Kenworth T300, T660, W900	77R8330	RD-4-7362-0P	
32	31 1/2	8 1/2	1 1/4		F	G	—	—	—	S	R	Peterbilt Conventional,	77R0580	RD-4-5462-0P	Y
32 13/16	31 19/32	8 1/2	2		F	G	—	—	—	S	R	Mack "R", 210RD45A Peterbilt Conventional	77R0570	RD-4-5146-1P	Y
33	30	18 1/4	1/2		J	G	5	—	A	—	R	2007-2010 ProStar	77R8350	RD-4-7361-0P	
33	30	21	3/4		D	D	—	—	A	—	R	2000-2007 Vision	77R8345	RD-4-7348-0P	
33	31 7/8	8 1/2	1 1/4		F	D	—	—	A	S	R	Mack MH, U, DM	77R0560	RD-4-4232-0P	Y
33 1/4	29	9 3/4	3/4		F	G	—	—	A	PF	R		77R8455	RD-4-7499-0P	
33 1/2	31 1/2	16 1/2	5/8		D	F	—	—	—	—	—	International 4000-9000 series 07-08	77R7705	RD-4-7277-0P	

CONDENSERS

Listed in ascending order by Overall Width x Height x Depth

DIMENSIONS				FITTINGS		HEADER			COIL			Red Dot Part No.	UPS Factory No.	UPS Ship
[A] Overall Width	[B] Fin Width	[C] Height	[T] Thickness	#6 (5/8")	#8 (3/4")	FPI	Type	Mat	Type	Mount Location	Application			
33 1/2	31	16 1/2	1 1/2	D	D	4	3	C	TF	—	General Purpose	77R5263	RD-4-4972-0P	Y
33 3/8	31 13/16	8 1/2	1	F	D	—	—	A	S	R	Mack 210RD46AM - R.H.	77R7702	RD-4-5770-0P	N
33 3/8	31 13/16	8 1/2	1	F	D	—	—	A	S	R	Mack 210RD410M	77R7706	RD-4-5763-0P	N
34	29 1/2	24	7/8	—	—	—	—	A	—	R	1999-2000 Peterbilt with OEM# 1E4582	77R0705	RD-4-7020-0P	
34	31	23 1/4	3/4	—	—	—	—	—	—	—	210RD422	77R8315	RD-4-7351-0P	
34 1/4	30	18 3/4	3/4	D	D	—	—	A	PF	R		77R8420	RD-4-7538-0P	
34 1/4	30 3/4	19 5/8	1	—	—	—	—	—	MF	—	94-98 Mack CH	77R6995	RD-4-7040-0P	N
34 1/4	33	38 3/8	13/16	—	—	2	1	A	GD	H	Kenworth K100 Series	77R6980	RD-4-3901-1P	Y
34 1/2	29 3/8	21 3/16	1	F	F	—	—	A	S	R	Mack 210RD428	77R7715	RD-4-6414-0P	N
34 1/2	31 1/2	23 9/32	1	F	F	—	—	A	S	R	Mack 210RD418	77R7714	RD-4-5767-0P	N
34 3/4	31	16 1/2	3/4	H	H	4	1	—	GD	R	General Purpose	77R5250	RD-4-3682-0P	Y
34 3/4	31	16 1/2	3/4	D	D	4	1	C	GD	R	General Purpose	77R5260	RD-4-4377-0P	Y
35	31 3/4	20	1/2	D	F	—	—	A	—	R	2008-2010 Peterbilt 386	77R8310	RD-4-7353-0P	
35 1/8	31	38 5/8	3/4	F	G	4	1	C	GD	H	Kenworth T602 (Dual Pass Chrome) 92-94	77R6935	RD-4-4550-0P	N
35 1/8	31	38 5/8	3/4	F	G	4	1	C	GD	H	Kenworth T602 (Dual Pass Black) 92-94	77R6940	RD-4-4550-1P	N
35 1/4	29	10	3/4	F	G	—	—	A	PF	R	—	77R8405	RD-4-7532-0P	
35 1/2"	31 3/4"	25"	3/4"	—	—	—	—	—	MF	—	06-07 335, 340 and 05-08 386, 387	77R1335	RD-4-6812-0P	N
35 1/2	32 15/16	27 3/8	1/2	—	—	2	1	C	GD	R	Kenworth T400, T602, T603, Aluminum	77R6970	RD-4-5190-2P	Y
35 1/2	32 15/16	27 3/8	1/2	—	—	2	1	C	GD	R	Kenworth T400, T602, T603, Black,	77R6975	RD-4-5190-0P	Y
35 1/2	33	17 1/2	1 1/8	—	—	—	—	—	—	—		77R6982	RD-4-7017-0P	Y
35 5/8	32	24 5/8	5/8	D	F	—	1	C	GD	R	Kenworth T-2000	77R6985	RD-4-6560-0P	Y
35 5/8	34	20 3/4	2 3/4	G	J	12	2	C	TF	—	R-4500	77R0990	RD-4-5045-0P	Y
35 7/8	30	16 1/2	1 3/4	E	E	10	2	—	TF	—	Peterbilt 320LCF	77R0665	RD-4-4931-0P	N
—	32 3/4	16 1/2	1	F	F	—	—	A	S	A	Ford F 150 / 350	77R1409	RD-4-5688-0P	N
36 3/16	33 3/4	11 1/8	1 1/8	D	D	—	1	A	S	—	Mack 210R421M	77R1105	RD-4-5762-0P	N
36 13/16	34	26 3/4	1	F	F	—	—	A	S	R	Mack 210RD412	77R7710	RD-4-5765-0P	N
36 1/2	32	28	—	—	—	—	—	—	—	—		77R8309	RD-4-7371-0P	
36 3/4	34	31 1/4	1 3/4	F	G	—	—	A	TF	R		77R8475	RD-4-7502-0P	
—	37	29 3/4	3/4	E	E	—	—	—	GO	—	Kenworth C500	77R6951	RD-4-6811-0P	Y
37	34 1/4	25 3/4	3/4	G	G	4	1	C	GD	R	IHC 'S' 2000 & up	77R5910	RD-4-3714-0P	Y
37 1/4	37	19	3/4	D	F	—	—	—	GD	R	Ford L Series	77R6807	RD-4-5696-0P	Y
37 1/2	32 1/2	19 1/4	3/4	F	G	—	—	A	PF	R		77R8375	RD-4-7473-0P	
37 3/4	35 1/4	36 9/16	7/8	J	D	4	1	C	GD	H	Kenworth W900L 89-94	77R6965	RD-4-4276-0P	N
38	31	15 1/4	3/4	—	—	—	—	—	—	—	3S010633	77R8365	RD-4-7363-0P	
38 1/2	32 1/2	16 1/2	1/2	J	G	—	—	A	—	R	2007-2010 Vision	77R8340	RD-4-7360-0P	
39 3/8	35 1/2	22 5/8	1 1/8	E	E	9	1	C	TF	—	Western Star 604 Cab	77R6817	RD-4-5273-0P	N
39 7/32	37 13/32	6 7/16	1 1/4	F	D	—	—	A	S	R	Mack 210RD411M	77R7708	RD-4-5764-0P	N
39 7/8	37	32	3/4	J	G	3	1	—	GD	R	Peterbilt 359	77R7900	RD-4-3683-2P	N
40 5/32	31 7/8	34 19/32	1 9/64	J	J	6	1	C	GD	—	R-2825, Hinged Assy	77R6255	RD-4-5655-0P	

KEY: **Mount Location:** R = Radiator Mount H = Hood Mount A = See APPLICATIONS Section for details
Depth = Includes motors
Header FPI = Fins Per Inch
Header Type = See illustration under CONDENSER DESCRIPTIONS
Header Mat = Material A = Aluminum C = Copper
Coil Type: TF = Tube & Fin S = Serpentine MF = Multi Flow GD = GrillDenser
Ship = UPS Shipping, Yes/No

CONDENSERS

Listed in ascending order by Overall Width x Height x Depth

[A] Overall Width	DIMENSIONS			FITTINGS		HEADER			Coil Type	Mount Location	Application	Red Dot Part No.	Factory No.	UPS Ship
	[B] Fin Width	[C] Height	[T] Thickness	#6 (5/8")	#8 (3/4")	FPI	Type	Mat						
40 1/4	24 1/2	19	3/4	H	H	—	A	PF	R	—	77R8390	RD-4-7528-0P		
42 1/2	30 1/4	20 1/4	3/4	J	G	—	A	PF	R	—	77R8410	RD-4-7533-0P		
41 3/8	37	22	1/2	—	—	2	1	A	GD	H	Kenworth T300 Aluminum	77R8301	RD-4-5226-4P N	
41 3/8	37	22	1/2	—	—	2	1	A	GD	H	Kenworth T300 Black	77R8303	RD-4-5226-5P N	
41 3/4	37	29	7/8	J	D	4	1	C	GD	H	Kenworth T800 90-94	77R6945	RD-4-4300-0P N	
41 3/4	37	29	27/32	—	—	2	1	C	GD	H	Kenworth T800 (Non Functional) 88-94	77R6990	RD-4-4219-0P N	
42 1/4	40 1/4	36	3/4	F	D	2	1	C	GD	R	Kenworth 1400 Series 79-89	77R6920	RD-4-3727-2P N	
42 1/4	37	20	1/2	F	G	—	—	A	PF	R		77R8495	RD-4-7551-0P	
42 1/2	31 1/2	22 1/8	3/4	—	—	—	—	—	—	—	Freightliner Century	77R6978	RD-4-6527-0P N	
43 3/8	40 1/2	33	3/4	H	H	2	1	C	GD	R	General Purpose	77R8100	RD-4-3723-0P N	
43 1/2	41	36 1/4	13/16	J	D	4	1	C	GD	H	Kenworth W900B	77R6960	RD-4-4403-1P N	
43 1/2	41	36 13/16	7/8	J	D	—	1	A	GD		Kenworth T 800H Dual Pass	77R6947	RD-4-4360-0P N	
43 1/2	41	38 5/8	3/4	F	D	2	1	C	GD	R	Kenworth 900 B 81-90	77R6925	RD-4-3745-1P N	
44 1/2	38 1/4	17 3/4	3/4	F	G	—	—	A	PF	R		77R8445	RD-4-7542-0P	
48 1/4	34 1/4	25 3/4	3/4	E	E	4	1	C	GD	H	Ford L Series	77R6800	RD-4-3372-3P	
49	37	33 5/8	1 1/2	J	J	7	1	C	GD		R-2825, Hinged 37" Header to Header	77R6250	RD-4-5743-0P N	
51	48	33 1/8	3/4	E	E	2	1	—	GD	H	Mack RW	77R8200	RD-4-3595-4P N	

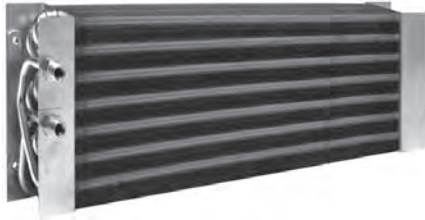
77R0090

RD-4-4440-0P

Tube & Fin Type

Overall Width: 22 1/2"
 Fin Width: 18 1/2"
 Height: 7 3/32"
 Thickness: 2 1/2"

Used with R-9725

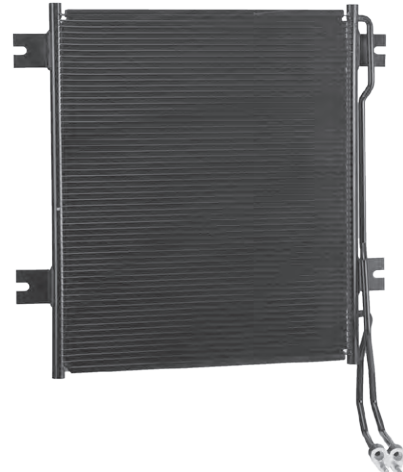


77R0115

RD-4-7279-0P

Overall Width: 21
 Fin Width: 19 1/2"
 Height: 24
 Thickness: 3/4"

Navistar 5000 series 05-07

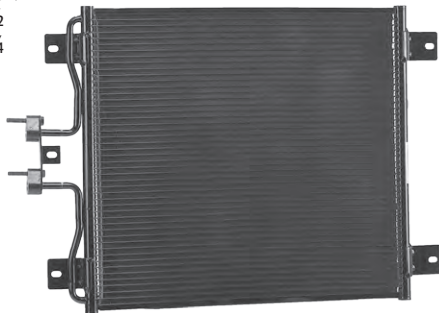


77R0095

RD-4-7278-0P

Overall Width: 21 3/4"
 Fin Width: 19 3/4"
 Height: 19 1/2"
 Thickness: 3/4"

International 7100 series 01-06

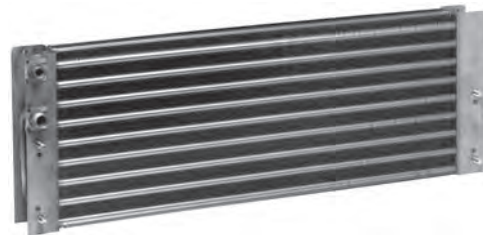


77R0260

RD-4-4130-0P

Tube & Fin Type
 Overall Width: 26 2/3"
 Fin Width: 24 3/4"
 Height: 9 1/8"
 Thickness: 2 1/4"

Used with Midliner R-2110



77R0110

RD-4-4069-1P

Tube & Fin Type

Overall Width: 26 1/4"
 Fin Width: 23"
 Height: 9 1/8"
 Thickness: 3"

Used with R-9720



77R0350

RD-4-3586-0P

Tube & Fin Type
 Overall Width: 22 5/8"
 Fin Width: 19 5/8"
 Height: 10 1/8"
 Thickness: 2 3/4"

Used with R-9727



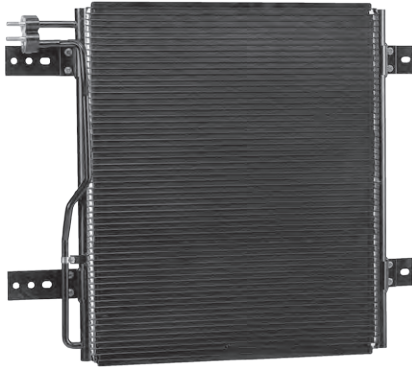
CONDENSERS

77R0355

RD-4-7280-0P

International 4200, 4300, 4400, 8500 01-06

Overall Width: 21
 Fin Width: 19 1/2
 Height: 24
 Thickness: 3/4

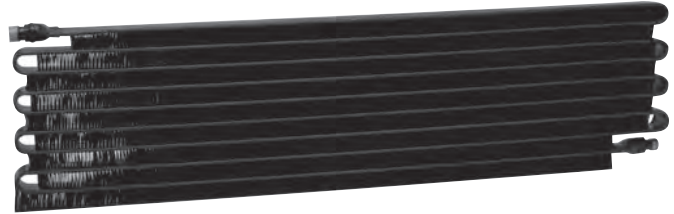


77R0570

RD-4-5146-1P

Used with Mack "R" Series
 Peterbilt Conventional
 Mack OE#210R45A

Serpentine Type
 Overall Width: 32 13/16",
 Fin Width: 31 19/32"
 Height: 8 1/2"
 Thickness: 2"



77R0500

RD-4-3874-1P

Used with R-6000, R-6060
 Fits Freightliner WFC/WFT Series
 Radiator Mount

Tube & Fin Type
 Overall Width: 23 3/4"
 Fin Width: 20 7/8"
 Height: 11 7/16"
 Thickness: 1 7/8"

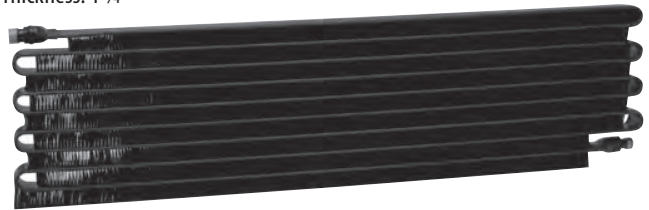


77R0580

RD-4-5462-0P

Peterbilt Conventional, OE#18-03543

Serpentine Type
 Overall Width: 32"
 Fin Width: 31 1/2"
 Height: 8 1/2"
 Thickness: 1 1/4"

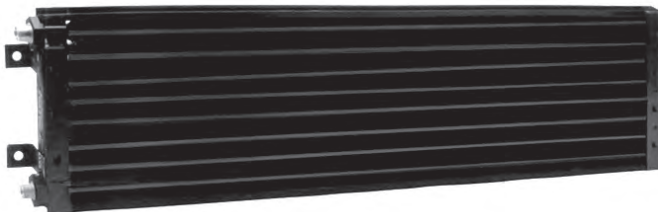


77R0560

RD-4-4232-0P

Used with Mack "MH", "U", "DM"
 OE#210RD46AM

Serpentine Type
 Overall Width: 33"
 Fin Width: 31 7/8"
 Height: 8 1/2"
 Thickness: 1 1/4"



77R0590

RD-4-7385-0P

Peterbilt Conventional, OE#18-03093, 15-03554
 23-12762

Serpentine Type
 Overall Width: 34 1/8"
 Fin Width: 29 3/4"
 Height: 10"
 Thickness: 1"



CONDENSERS

LS = Limited to stock on hand

77R0585

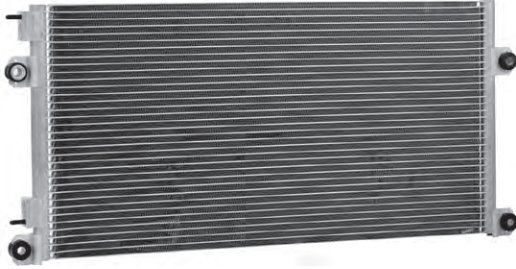
RD-4-6343-0P

Multiflow Type

Volvo VN Series OE# 8084348, 20461065

Overall Width: 32 1/2"
 Fin Width: 31 1/2"
 Height: 16 1/4"
 Thickness: 7/8"

GM Pad Fittings



77R0635

RD-4-7281-0P

Tube & Fin Type

International 4000, 7000-9000 Eagle 01-05

Overall Width: 21"
 Fin Width: 19 1/2"
 Height: 24"
 Thickness: 7/8"



77R0620

RD-4-4738-0P

Tube & Fin Type

Used with R-6100, R-6160

Overall Width: 23 1/3"
 Fin Width: 20 7/8"
 Height: 12"
 Thickness: 3 1/3"



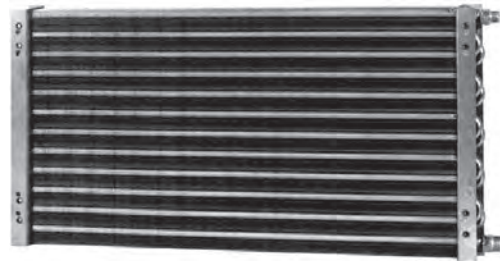
77R0650

RD-4-3724-0P

Tube & Fin Type

Freightliner WFC, WFT Series
 Peterbilt 289-387 Models

Overall Width: 25"
 Fin Width: 23"
 Height: 12 1/4"
 Thickness: 1 3/4"



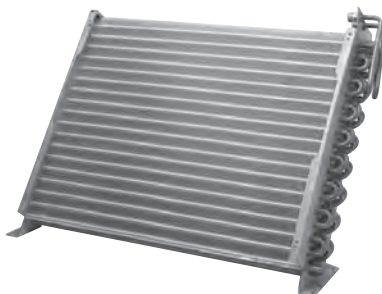
77R0630

RD-4-5122-0P

Tube & Fin Type

Used with R-6260

Overall Width: 25 1/2"
 Fin Width: 23"
 Height: 21 1/2"
 Thickness: 2 1/2"



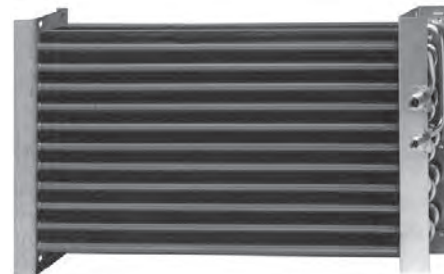
77R0660

RD-4-4724-0P

Tube & Fin Type

Used with R-9737

Overall Width: 24 1/16"
 Fin Width: 21 5/8"
 Height: 12 1/2"
 Thickness: 2 7/8"



CONDENSERS

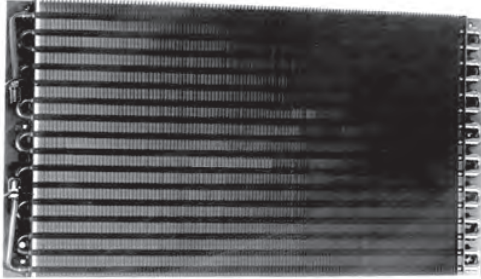
77R0665

RD-4-4931-0P

Tube & Fin Type

Overall Width: 35 7/8"
 Fin Width: 30"
 Height: 16 1/2"
 Thickness: 1 3/4"

Used with Peterbilt 320 LCF



77R0700

RD-4-3945-0P

Tube & Fin Type

Overall Width: 30 1/4"
 Fin Width: 25 1/2"
 Height: 18 3/16"
 Thickness: 1 3/4"

Used with IHC Applications

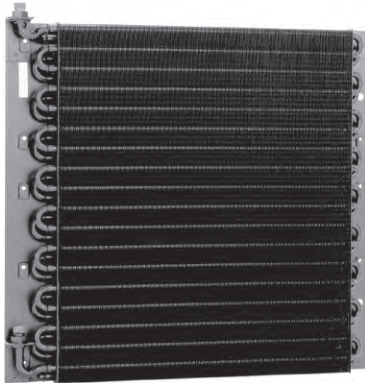


77R0670

RD-4-4414-0P

Tube & Fin Type

Overall Width: 19"
 Fin Width: 18"
 Height: 19 1/4"
 Thickness: 1 7/16"

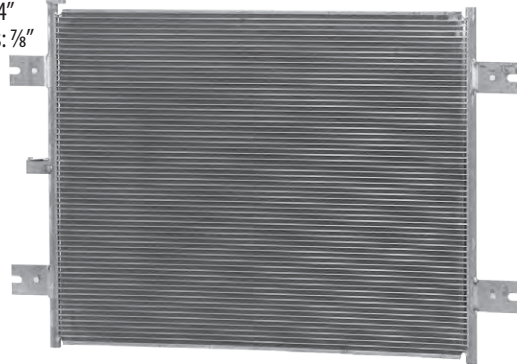


77R0705

RD-4-7020-0P

OE#IE-4582

Overall Width: 34"
 Fin Width: 29 1/2"
 Height: 24"
 Thickness: 7/8"



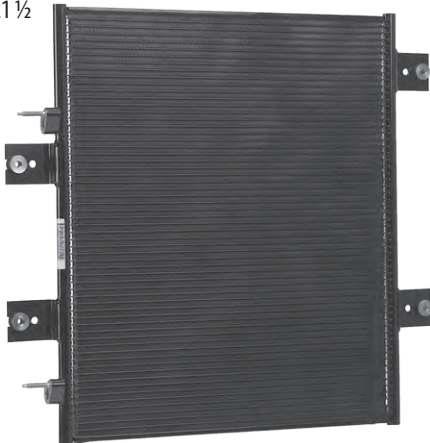
77R0675

RD-4-7282-0P

Tube & Fin Type

Overall Width: 21 1/2"
 Fin Width: 19 1/2"
 Height: 24"
 Thickness: 5/8"

International ProStar 8000 series 08-10



77R0710

RD-4-7018-0P

Tube & Fin Type

Overall Width: 31"
 Fin Width: 28 1/4"
 Height: 28 1/2"
 Thickness: 1 1/2"

OE Part Number: F31-6097
 Peterbilt 2003-2009 Conventional 330



CONDENSERS

77R0715

RD-4-7283-0P

Tube & Fin Type

Overall Width: 26
 Fin Width: 26
 Height: 25 3/4
 Thickness: 3/4

International 4900 Series 93-2000



77R0720

RD-4-7284-0P

Tube & Fin Type

Overall Width: 26 1/2
 Fin Width: 24 1/2
 Height: 25 1/2
 Thickness: 7/8

International 9300 Series 93-98



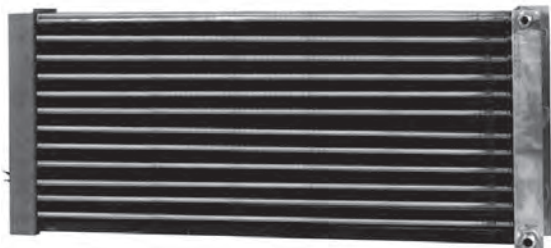
77R0800

RD-4-3646-0P

Tube & Fin Type

Overall Width: 30 1/2
 Fin Width: 27 3/8
 Height: 12 1/2
 Thickness: 3 1/4

Used with R-9730

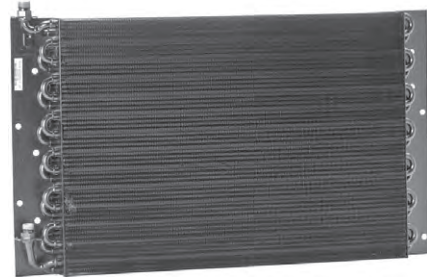


77R0900

RD-4-4161-0P

Tube & Fin Type

Overall Width: 24 1/2
 Fin Width: 20
 Height: 14 7/8
 Thickness: 1 7/16



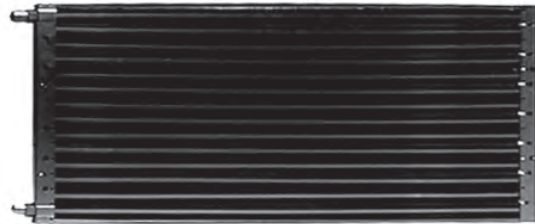
77R0950

RD-4-3916-0P

Serpentine Type

Overall Width: 29 13/16
 Fin Width: 27 3/4
 Height: 15 3/4
 Thickness: 3/4

Used with White-Western Star



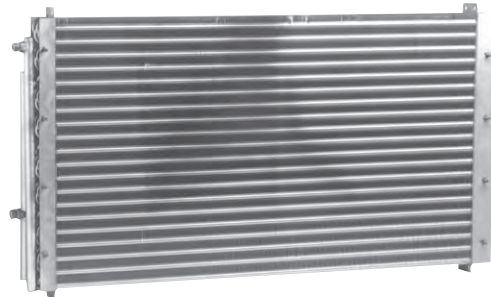
77R0990

RD-4-5045-0P

Tube & Fin Type

Overall Width: 35 5/8
 Fin Width: 34
 Height: 20 3/4
 Thickness: 2 3/4

Used with R-4500



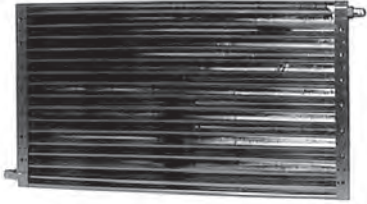
CONDENSERS

77R1100

RD-4-3917-0P

Serpentine Type
 Overall Width: 27"
 Fin Width: 25 1/4"
 Height: 14 7/8"
 Thickness: 3/4"

Used with Freightliner
 White-Western Star Applications

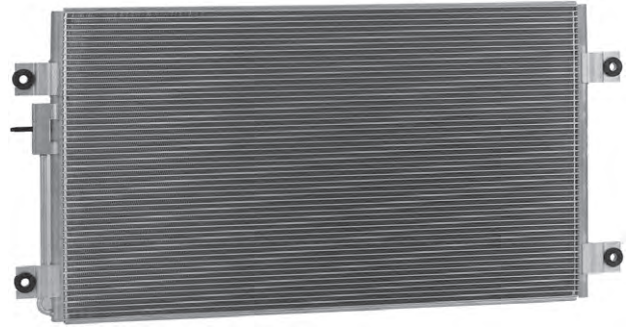


77R1277

RD-4-7131-0P

Overall Width: 34 3/4"
 Fin Width: 32 3/4"
 Height: 19 1/2"
 Thickness: 3/4"

OE# A22-66839-000
 A22-72249-000
 2006-2009 Columbia, Coronado

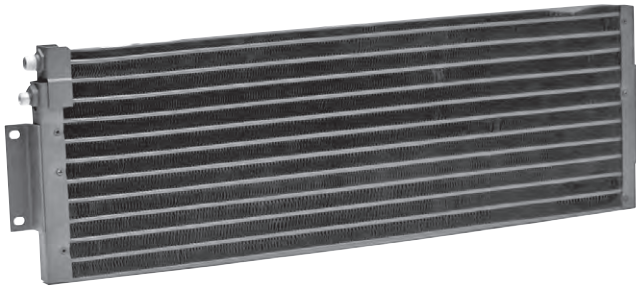


77R1105

RD-4-5762-0P

Serpentine Type
 Overall Width: 36 3/16"
 Fin Width: 33 3/4"
 Height: 11 1/8"
 Thickness: 1 1/8"

Used with Mack 210R421M

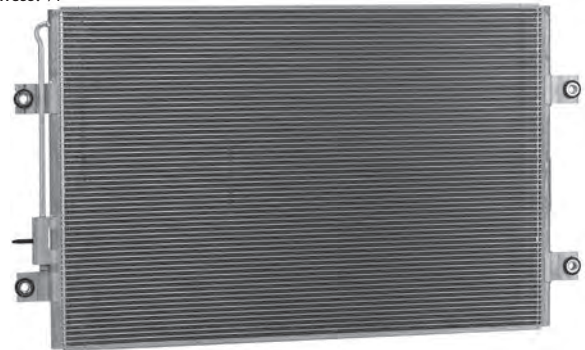


77R1279

RD-4-7306-0P

Overall Width: 35"
 Fin Width: 33"
 Height: 22 3/4"
 Thickness: 3/4"

OE#A22-66840-000
 A22-72250-000
 2010-2011 Cascadia



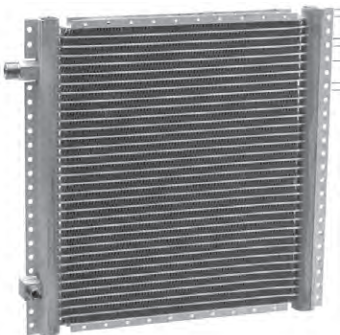
CONDENSERS

77R1275

RD-4-5722-0P

MultiFlow Type
 Overall Width: 14"
 Fin Width: 11 1/2"
 Height: 14"
 Thickness: 7/8"

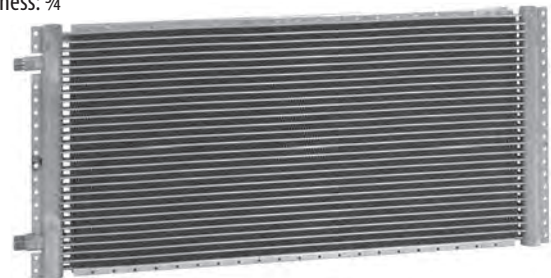
Used with R-20505-0P



77R1280

RD-4-5377-0P

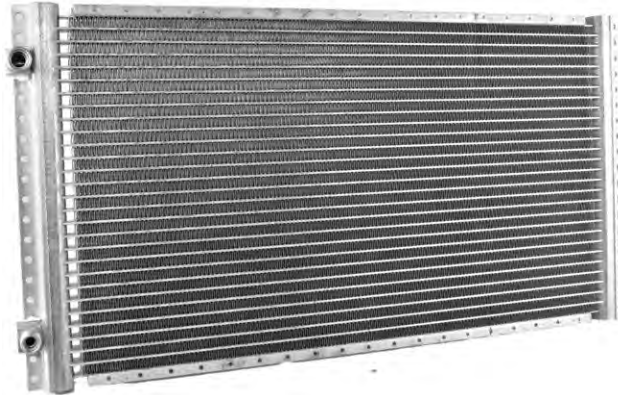
MultiFlow Type
 Overall Width: 25 3/4"
 Fin Width: 22 13/16"
 Height: 12"
 Thickness: 3/4"



77R1282

RD-4-7337-0P

Used on Red Dot Model R-6101



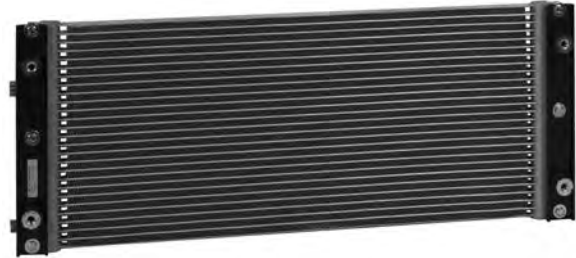
77R1295

RD-4-5503-0P

Used with R-2800

MultiFlow Type

Overall Width: 26 1/2"
 Fin Width: 23 13/16"
 Height: 10 3/4"
 Thickness: 1 1/16"

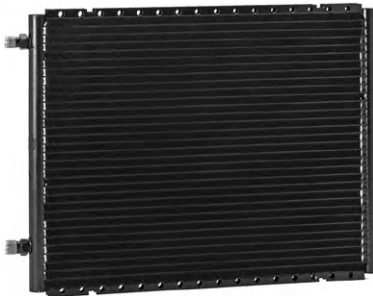


77R1285

RD-4-5361-0P

MultiFlow Type

Overall Width: 18"
 Fin Width: 16 1/4"
 Height: 14"
 Thickness: 3/4"

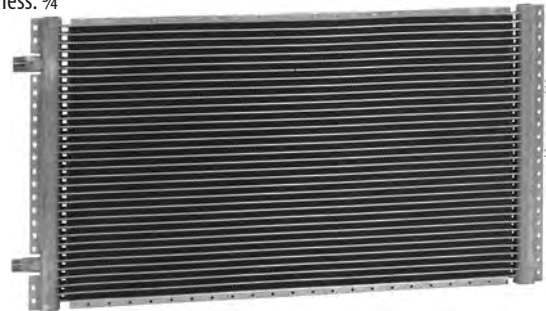


77R1300

RD-4-5418-0P

MultiFlow Type

Overall Width: 25 3/4"
 Fin Width: 22 13/16"
 Height: 14"
 Thickness: 3/4"

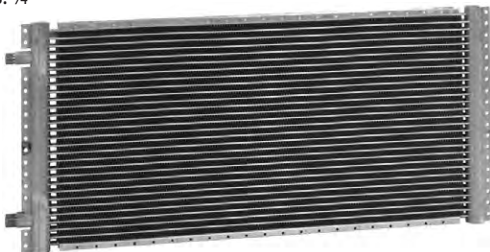


77R1290

RD-4-5378-0P

MultiFlow Type

Overall Width: 21 3/4"
 Fin Width: 18 13/16"
 Height: 14"
 Thickness: 3/4"



77R1305

RD-5-12051-0P

R-4480, Caterpillar

MultiFlow Type

Overall Width: 24 13/32"
 Fin Width: 21 29/64"
 Height: 10 23/32"
 Thickness: 1"



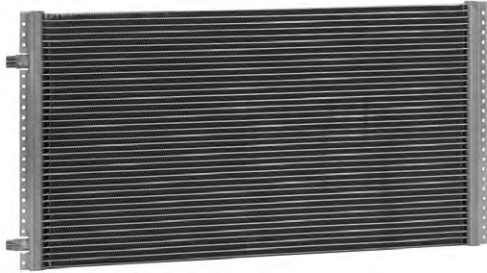
CONDENSERS

77R1310

RD-4-5379-0P

MultiFlow Type

Overall Width: 29 5/8"
 Fin Width: 26 5/8"
 Height: 15 1/2"
 Thickness: 3/4"



77R1330

RD-4-5709-0P

MultiFlow Type

Complete with Brackets

Overall Width: 29 3/64"
 Fin Width: 26 3/4"
 Height: 19 1/4"
 Thickness: 3/4"



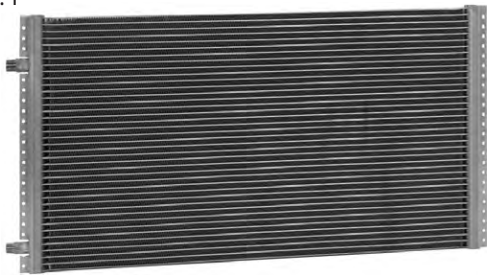
77R1320

RD-5-9560-0P

MultiFlow Type

Used with Ford "F" Series

Overall Width: 25 3/4"
 Fin Width: 24"
 Height: 10 3/4"
 Thickness: 1"



77R1335

RD-4-6812-0P

MultiFlow Type

OE Part Number: F31-6042, F31-6043
 Peterbilt 2006-2007 335, 340, 2005-2008 386, 387
 All with OE#

Overall Width: 35 1/2"
 Fin Width: 31 3/4"
 Height: 25"
 Thickness: 3/4"



CONDENSERS

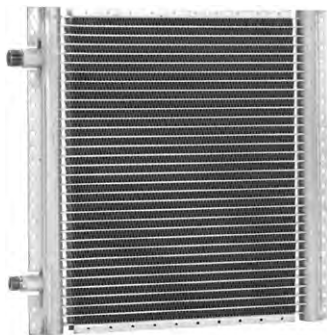
77R1325

RD-4-6091-0P

MultiFlow Type

Used with RD-4-5932-0P Power Condenser

Overall Width: 14"
 Fin Width: 11 1/2"
 Height: 14"
 Thickness: 3/4"



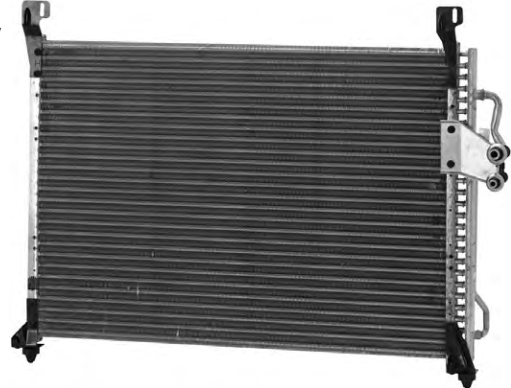
77R1401

RD-4-5684-0P

Tube & Fin Type

Ford Applications

Overall Width: —
 Fin Width: 25"
 Height: 17"
 Thickness: 1"



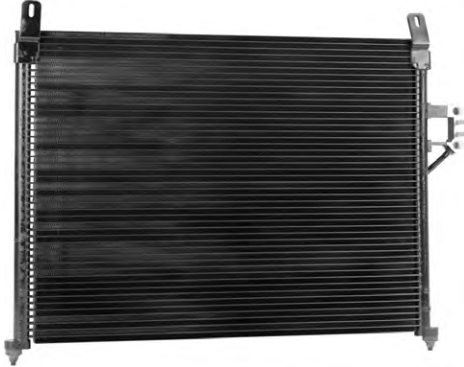
77R1403

RD-4-5685-0P

Tube & Fin Type

Overall Width: —
 Fin Width: 25"
 Height: 18 3/4"
 Thickness: 1"

Ford Applications



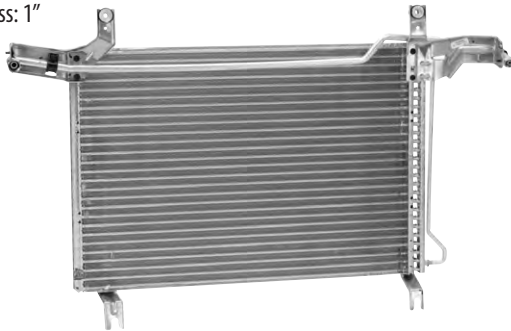
77R1407

RD-4-5687-0P

Serpentine Type

Overall Width:
 Fin Width: 25"
 Height: 17 1/2"
 Thickness: 1"

Used with Ford "F" Series



77R1409

RD-4-5688-0P

Serpentine Type

Overall Width: —
 Fin Width: 32 3/4"
 Height: 16 1/2"
 Thickness: 1"

Used with Ford Applications



77R5240

RD-4-5681-0P

Grilldenser Type

Fin Width: 26 3/4"
 Height: 32 1/2"
 Thickness: 1"

Used with Ford OE#E7HZ-19712-A,D
 and C-CT Series

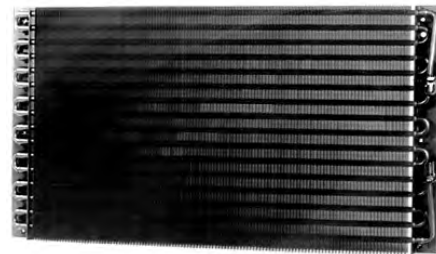


77R5250

RD-4-3682-0P

Grilldenser Type

Overall Width: 34 3/4"
 Fin Width: 31"
 Height: 16 1/2"
 Thickness: 3/4"



77R5260

RD-4-4377-0P

Grilldenser Type

Overall Width: 34 3/4"
 Fin Width: 31"
 Height: 16 1/2"
 Thickness: 3/4"



LS = Limited to stock on hand

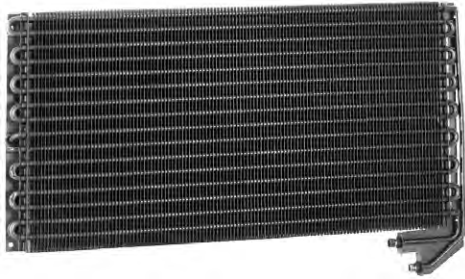
CONDENSERS

77R5263

RD-4-4972-0P

Tube & Fin Type

Overall Width: 33 1/2" – Two Row
 Fin Width: 31"
 Height: 16 1/2"
 Thickness: 1 1/2"



77R6255

RD-4-5655-1P

Grilldenser Type

Used with R-2825 Hinged Assembly

Overall Width: 40 5/32"
 Fin Width: 31 7/8"
 Height: 34 19/32"
 Thickness: 1 3/4"



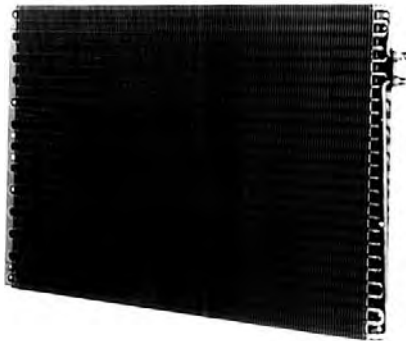
77R5910

RD-4-3714-0P

Grilldenser Type

Used with IHC "S" Series

Overall Width: 37"
 Fin Width: 34 1/4"
 Height: 25 3/4"
 Thickness: 3/4"



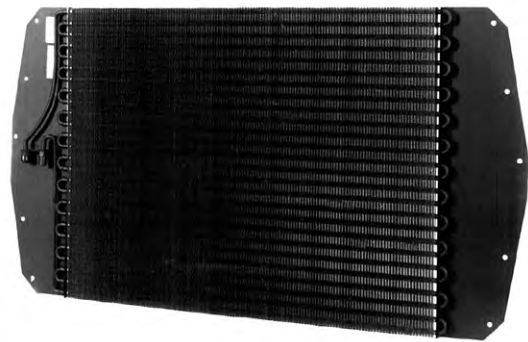
77R6800

RD-4-3372-3P

Grilldenser Type

Used with Ford "L" Series

Overall Width: 48 1/4"
 Fin Width: 34 1/4"
 Height: 25 3/4"
 Thickness: 3/4"



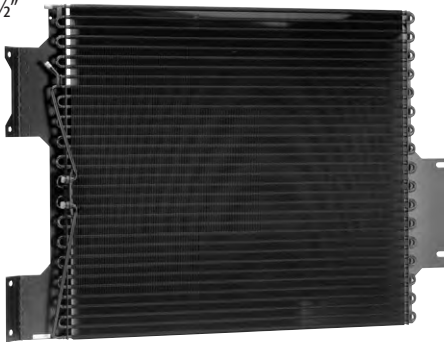
77R6250

RD-4-5743-0P

Grilldenser Type

Used with R-2825,
 Hinged 37" header to header

Overall Width: 49"
 Fin Width: 37"
 Height: 33 5/8"
 Thickness: 1 1/2"



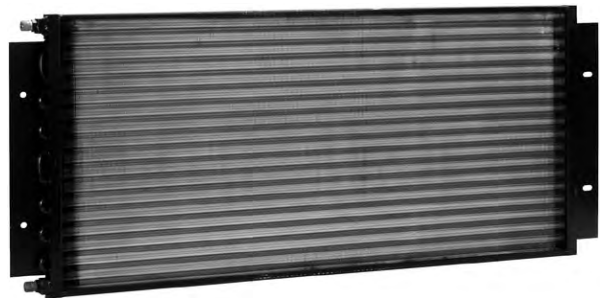
77R6807

RD-4-5696-0P

Grilldenser Type

Used with Ford "L" Series
 Sterling/Ford OE#F6HZ-19712A, Motorcraft YJ 363

Fin Width: 37"
 Height: 19"
 Thickness: 3/4"



CONDENSERS

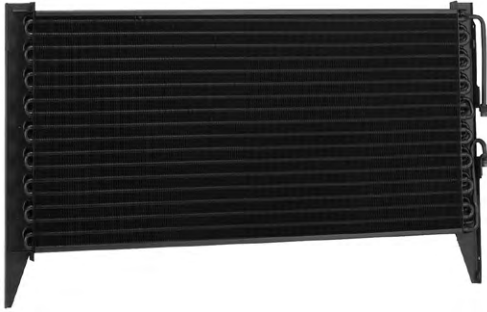
77R6817

RD-4-5273-0P

Grilldenser Type

Used with Western Star 604 Cab

Overall Width: 39 3/4"
 Fin Width: 35 1/2"
 Height: 22 5/8"
 Thickness: 1 1/8"



77R6925

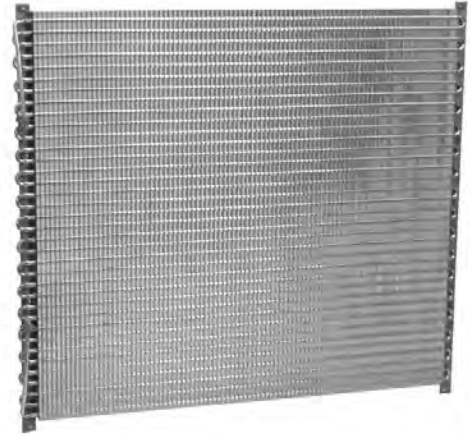
RD-4-3745-1P

Grilldenser Type

Used with Kenworth 900B

OE#K122-62

Overall Width: 43 1/2"
 Fin Width: 41"
 Height: 38 5/8"
 Thickness: 3/4"



77R6900

RD-4-3434-1P

Grilldenser Type

Used with Mack RL/RS Series

OE#210RD48

Overall Width: 28 3/8"
 Fin Width: 26 1/2"
 Height: 26"
 Thickness: 3/4"



77R6930

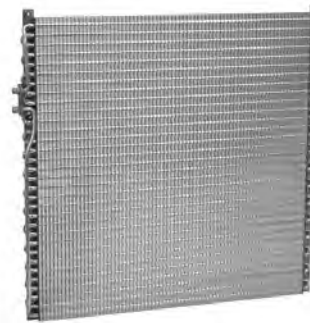
RD-4-3990-0P

Grilldenser Type

Used with Kenworth T600A

OE#K122-81

Overall Width: 32 1/8"
 Fin Width: 31 7/8"
 Height: 27 1/4"
 Thickness: 7/8"



77R6920

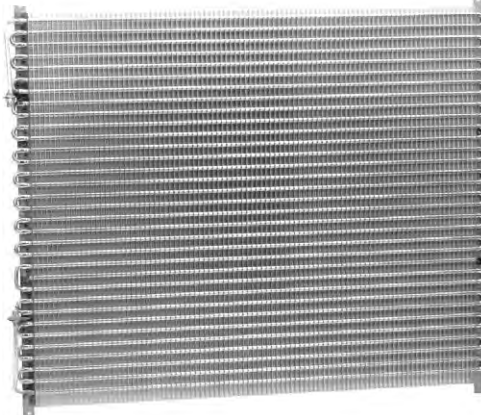
RD-4-3727-2P

Grilldenser Type

Used with Kenworth 1400 Series

OE#K122-64

Overall Width: 42 1/4"
 Fin Width: 40 1/4"
 Height: 36"
 Thickness: 3/4"



77R6935

RD-4-4550-0P

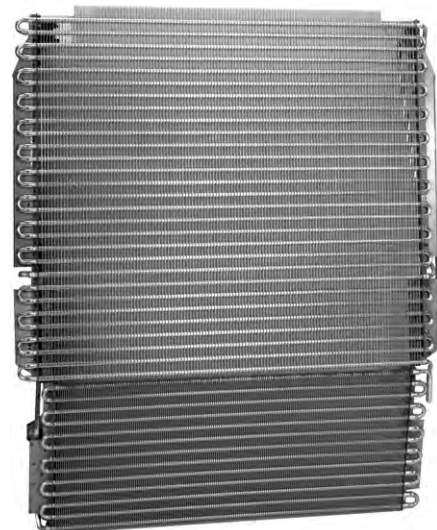
Grilldenser Type

Used with Kenworth T602

OE#K122-124-1

Dual Pass - Aluminum Finish

Overall Width: 35 1/8"
 Fin Width: 31"
 Height: 38 5/8"
 Thickness: 3/4"



CONDENSERS

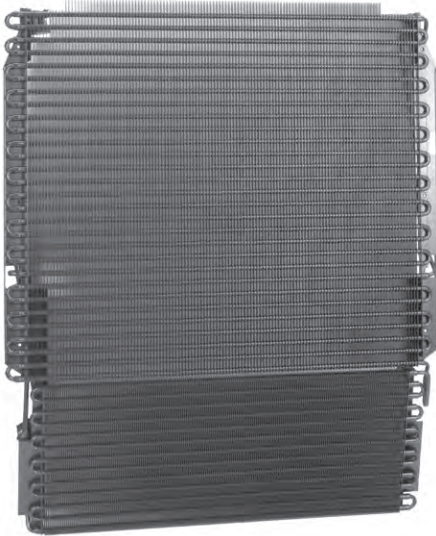
77R6940

RD-4-4550-1P

Grilldenser Type

Overall Width: 35 1/8"
 Fin Width: 31"
 Height: 38 5/8"
 Thickness: 3/4"

Used with Kenworth T602
 OE#K122-124-2
 Dual Pass - Black



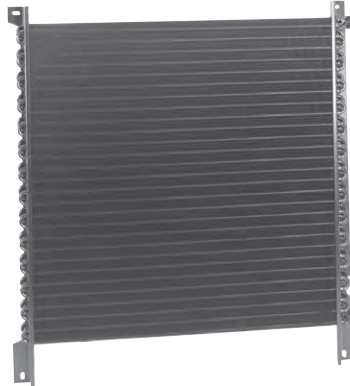
77R6950

RD-4-5658-0P

Tube & Fin Type

Overall Width: 31"
 Fin Width: 28"
 Height: 33 5/2"
 Thickness: 1 1/4"

Used with Peterbilt 357, 377,
 378, 379, 385 Conventional
 OE#18-04015



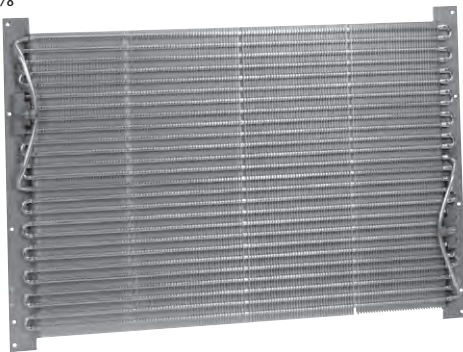
77R6945

RD-4-4300-0P

Grilldenser Type

Overall Width: 41 3/4"
 Fin Width: 37"
 Height: 29"
 Thickness: 7/8"

Used with Kenworth T800
 OE#K122-102



77R6951

RD-4-6811-0P

Serpentine

Overall Width: 31"
 Fin Width: 27 1/4"
 Height: 33 1/4"
 Thickness: 3/4"

Peterbilt OE#PB4015



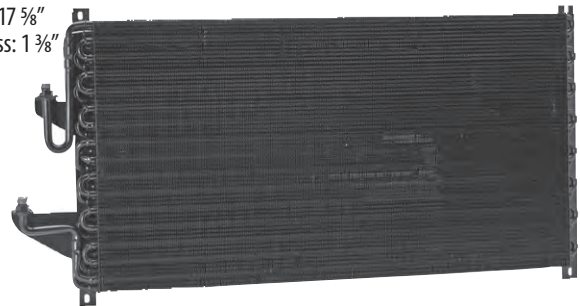
77R6955

RD-4-4613-1P

Grilldenser Type

Overall Width: 32 1/4"
 Fin Width: 30"
 Height: 17 5/8"
 Thickness: 1 3/8"

Kenworth OE#K122-128



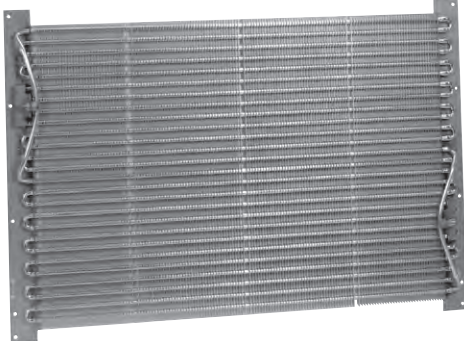
77R6947

RD-4-4360-0P

Grilldenser Type

Overall Width: 43 1/2"
 Fin Width: 41"
 Height: 36 13/16"
 Thickness: 7/8"

Used with Kenworth T800 Dual Pass
 OE#K122-118



CONDENSERS

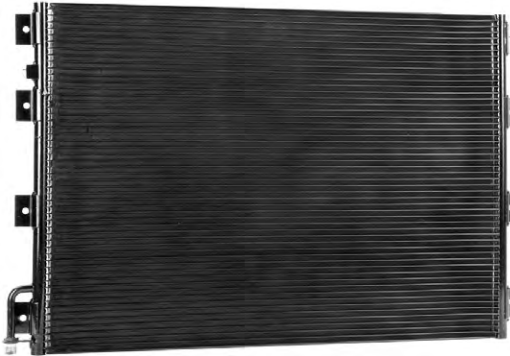
77R6957

RD-5-12488-0P

Grilldenser Type

Kenworth T400-T600A, 1995-2006
OE#K122-125, Black

Overall Width: 32 1/2"
Fin Width: 28 1/2"
Height: 20 7/8"
Thickness: 3/4"



77R6960

RD-4-4403-1P

Grilldenser Type

Kenworth W900B
OE#K122-121

Overall Width: 43 1/2"
Fin Width: 41"
Height: 36 1/4"
Thickness: 1 3/16"



77R6965

RD-4-4276-0P

Grilldenser Type

Used with Kenworth W900L
OE#K122-98

Overall Width: 37 3/4"
Fin Width: 35 1/4"
Height: 36 5/16"
Thickness: 7/8"



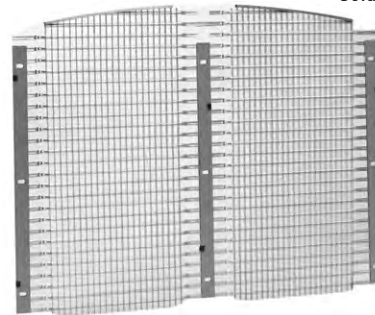
77R6970

RD-4-5190-4P

Non-functional Grill

Used with Kenworth T400, T602, T603
Aluminum Finish - Non Functional
Kenworth OE# K137-299-1
Sold without brackets

Overall Width: 35 1/2"
Fin Width: 32 15/16"
Height: 27 3/8"
Thickness: 1/2"



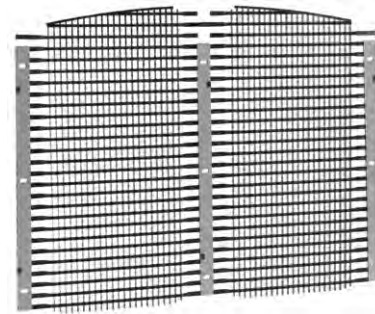
77R6975

RD-4-5190-5P

Non-functional Grill

Used with Kenworth T400, T602, T603
Black Finish - Non Functional
Kenworth OE# K137-299-2
Sold without brackets

Overall Width: 35 1/2"
Fin Width: 32 15/16"
Height: 27 3/8"
Thickness: 1/2"



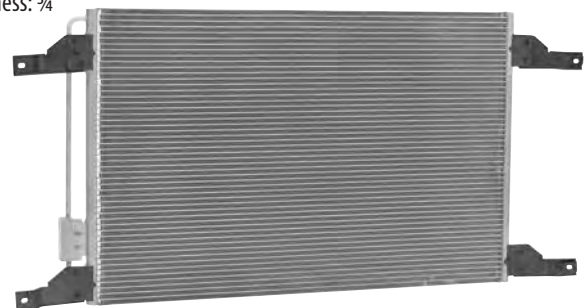
77R6978

RD-4-6527-0P

MultiFlow Type

Freightliner Century
BHT 97210, BHT 73002, 1E6068

Overall Width: 42 1/2"
Fin Width: 31 1/2"
Height: 22 1/8"
Thickness: 3/4"



CONDENSERS

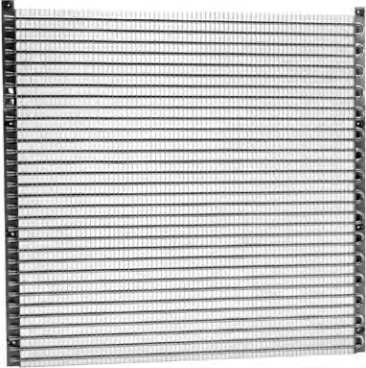
77R6980

RD-4-3901-1P

Grilldenser Type

Overall Width: 34 1/4"
 Fin Width: 33"
 Height: 33 3/8"
 Thickness: 1 3/16"

Kenworth K-100, K100E Series
 Front Cab OE#K137-288
 Non-functional



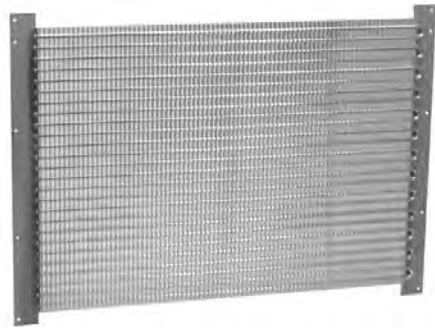
77R6990

RD-4-4219-0P

Grilldenser Type

Overall Width: 41 3/4"
 Fin Width: 37"
 Height: 29"
 Thickness: 27/32"

Used with Kenworth T800 - Nonfunctional
 OE#K137-230

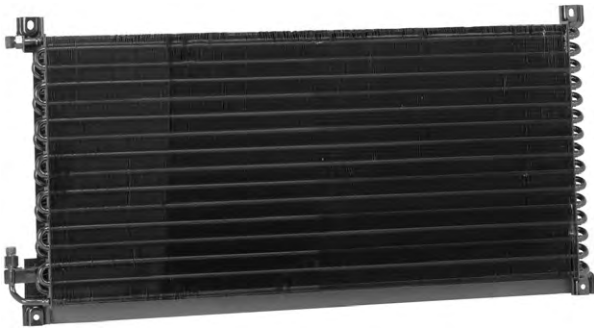


77R6982

RD-4-7017-0P

Grilldenser Type

Overall Width: 35 1/2"
 Fin Width: 33"
 Height: 17 1/4"
 Thickness: 1 1/8"



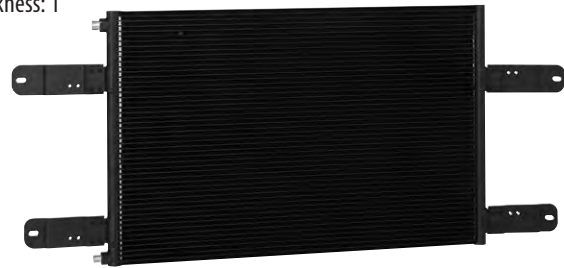
77R6995

RD-4-7040-0P

MultiFlow Type

Overall Width: 34 1/4"
 Fin Width: 30 3/4"
 Height: 19 5/8"
 Thickness: 1"

OE Part Number: 210RD510M
 Mack 1994-1998 CH
 All with OE#



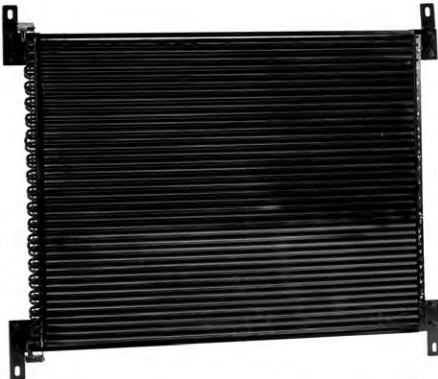
77R6985

RD-4-6560-0P

Grilldenser Type

Overall Width with brackets: 35 3/8"
 Fin Width: 32"
 Height: 24 5/8"
 Thickness: 5/8"

Kenworth T-2000 Series
 OE#486684-5008



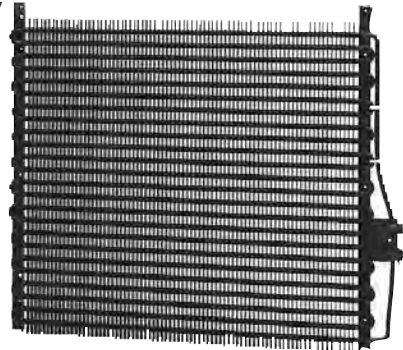
77R7000

RD-4-4713-0P

Grilldenser Type

Overall Width: 28 13/32"
 Fin Width: 26 19/32"
 Height: 26 5/32"
 Thickness: 25/32"

Used with John Deere 690-992E-LC
 IHC 2004801C3, C4, R-10035-1,-2,-3,-4



CONDENSERS

77R7005

RD-4-4724-1P

Tube & Fin Type
 Overall Width: 24"
 Fin Width: 21 5/8"
 Height: 12 1/2"
 Thickness: 2 7/8"

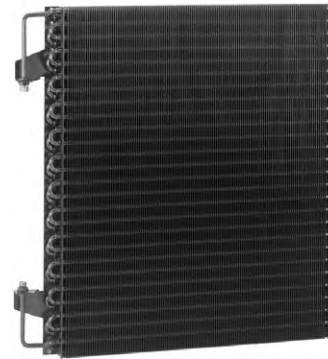
Fits John Deere JD 744E,
 Wheel Loader 544G, 624G



77R7050

RD-4-5760-0P

Tube & Fin Type
 Overall Width: 24" – Two Row
 Fin Width: 21 1/8"
 Height: 26 1/2"
 Thickness: 1 1/2"

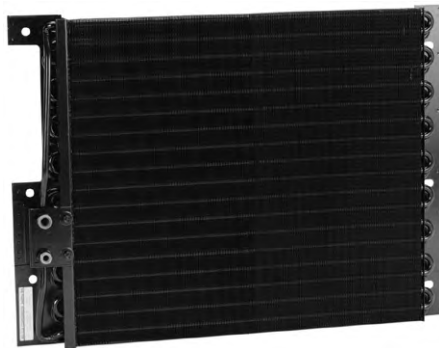


77R7010

RD-4-5154-0P

Tube & Fin Type
 Overall Width: 25 1/4"
 Fin Width: 20 1/2"
 Height: 18 1/4"
 Thickness: 1 13/16"

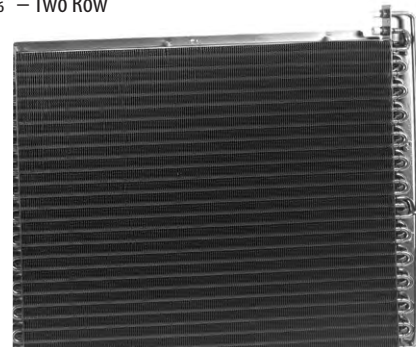
Fits R-1550, Kobelco SK 100, 120, 150



77R7100

RD-4-4968-0P

Tube & Fin Type
 Overall Width: 28 1/16" – Two Row
 Fin Width: 21 1/2"
 Height: 26 1/2"
 Thickness: 1 1/4"



77R7020

RD-4-5116-0P

Tube & Fin Type
 Overall Width: 27"
 Fin Width: 25 1/2"
 Height: 18 1/4"
 Thickness: 1 3/4"

Fits R-1550, SK200, SK220



77R7702

RD-4-5770-0P

Serpentine Type
 Overall Width: 33 2/3"
 Fin Width: 31 13/16"
 Height: 8 1/2"
 Thickness: 1"

Used with Mack OE#210RD46AM-R.H.



CONDENSERS

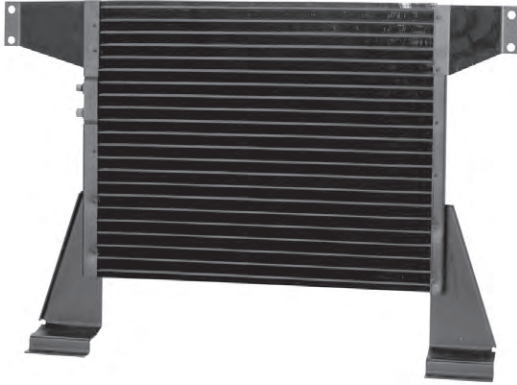
77R7704

RD-4-5769-0P

Serpentine Type

Used with Mack OE#210RD54M

Overall Width: 30"
 Fin Width: 28"
 Height: 28 5/16"
 Thickness: 1"



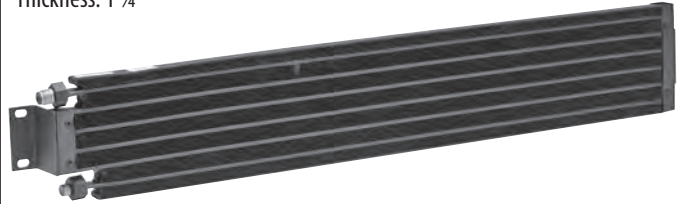
77R7708

RD-4-5764-0P

Serpentine Type

Used with Mack 210RD411M

Overall Width: 39 7/32"
 Fin Width: 37 13/32"
 Height: 6 7/16"
 Thickness: 1 1/4"



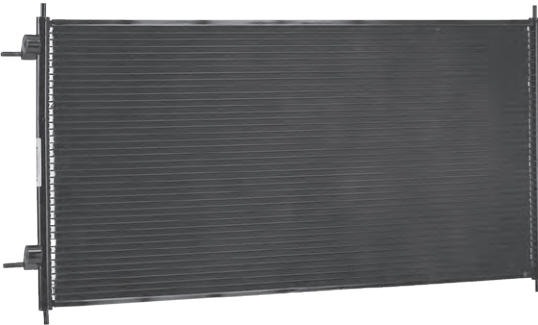
77R7705

RD-4-7277-0P

Tube & Fin Type

International 4000-9000 series 07-08

Overall Width: 33 1/2"
 Fin Width: 31 1/2"
 Height: 16 1/2"
 Thickness: 5/8"



77R7710

RD-4-5765-0P

Serpentine Type

Used with Mack 210RD412

Overall Width: 36 13/16"
 Fin Width: 34"
 Height: 26 3/4"
 Thickness: 1"



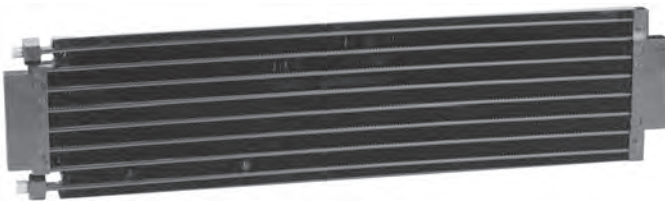
77R7706

RD-4-5763-0P

Serpentine Type

Used with Mack OE#210RD410M

Overall Width: 33 2/3"
 Fin Width: 31 13/16"
 Height: 8 1/2"
 Thickness: 1"



77R7712

RD-4-5766-0P

Serpentine Type

Used with Mack 210RD413

Overall Width: 28 3/4"
 Fin Width: 27 3/4"
 Height: 9 1/2"
 Thickness: 3"



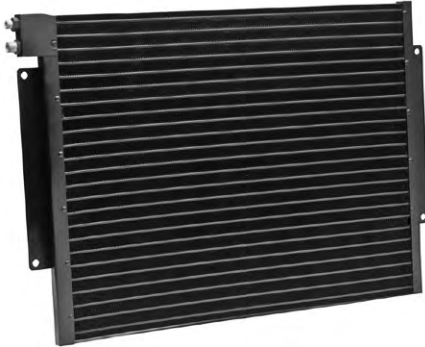
77R7714

RD-4-5767-0P

Serpentine Type

Used with Mack 210RD418

Overall Width: 34 1/2"
 Fin Width: 31 1/2"
 Height: 23 5/32"
 Thickness: 1"



77R7900

RD-4-3683-2P

Grilldenser Type

Used with Peterbilt 359

Overall Width: 39 7/8"
 Fin Width: 37"
 Height: 32"
 Thickness: 3/4"



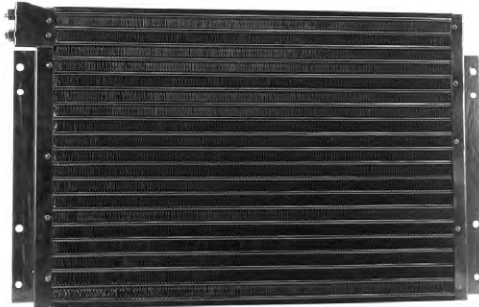
77R7715

RD-4-6414-0P

Serpentine Type

Mack 210RD428

Overall Width: 34 1/2"
 Fin Width: 29 3/8"
 Height: 21 3/16"
 Thickness: 1"



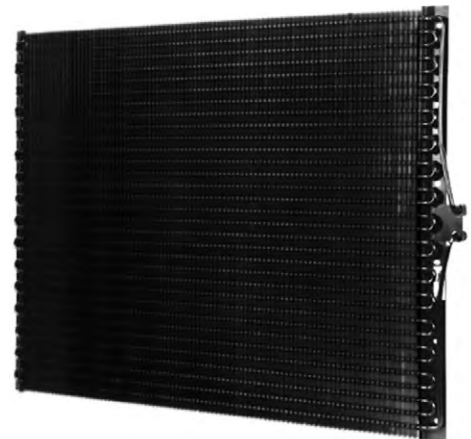
77R8100

RD-4-3723-0P

Grilldenser Type

Used with Kenworth T-800 OE#K122-84

Overall Width: 43 3/8"
 Fin Width: 40 1/2"
 Height: 33"
 Thickness: 3/4"



77R7800

RD-4-3722-0P

Grilldenser Type

Overall Width: 30 7/8"
 Fin Width: 28 1/4"
 Height: 32"
 Thickness: 3/4"



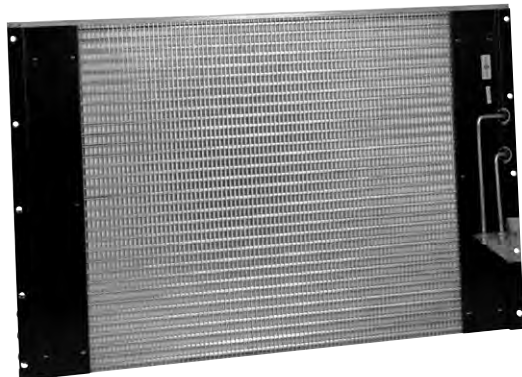
77R8200

RD-4-3595-4P

Grilldenser Type

Used with Mack RW
 OE#210RD49302P2, PB1095

Overall Width: 51"
 Fin Width: 48"
 Height: 33 1/8"
 Thickness: 3/4"



CONDENSERS

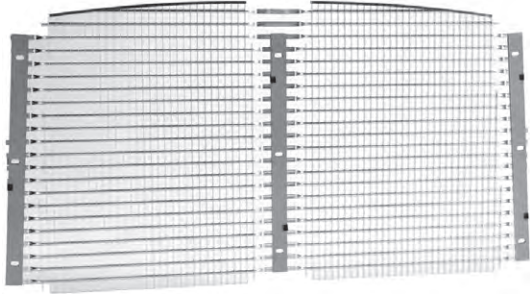
77R8301

RD-4-5226-4P

Non-functional Grill

Overall Width: 47 3/8"
 Fin Width: 37"
 Height: 22"
 Thickness: 1/2"

Kenworth T-300 (Non-Functional)
 Kenworth OE# K137-300-1
 Aluminum Finish
 Sold with Brackets



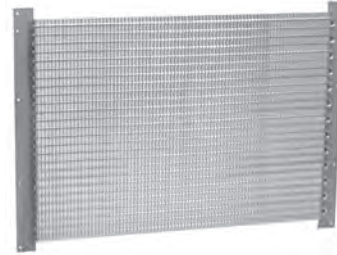
77R8307

RD-4-7292-0P

Non-functional Grill

Overall Width: 41 3/4"
 Fin Width: 37"
 Height: 27 3/4"
 Thickness: 1/2"

OE#K137-269



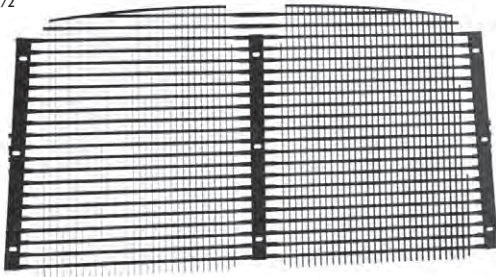
77R8303

RD-4-5226-5P

Non-functional Grill

Overall Width: 47 3/8"
 Fin Width: 37"
 Height: 22"
 Thickness: 1/2"

Kenworth T-300 (Non-Functional)
 Kenworth OE# K137-300-2
 Black Finish
 Sold with Brackets

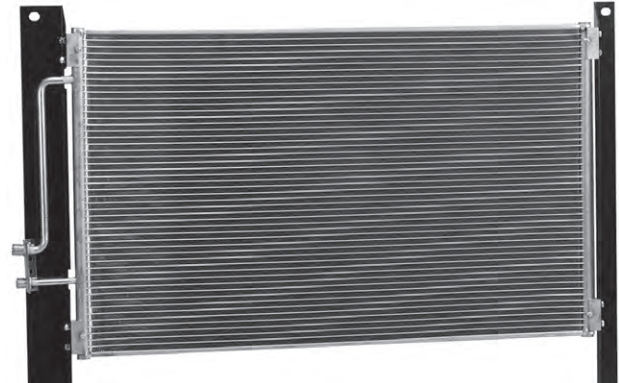


77R8309

RD-4-7371-0P

Non-functional Grill

Overall Width: 36 1/2"
 Fin Width: 32"
 Height: 28"
 Thickness: "

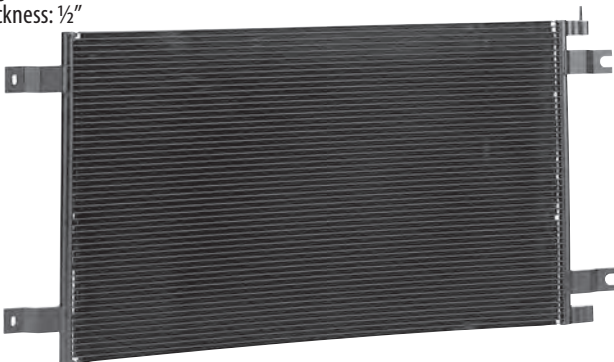


77R8305

RD-4-7081-0P

Overall Width: 34"
 Fin Width: 33"
 Height: 22"
 Thickness: 1/2"

OE#N4778001



77R8310

RD-4-7353-0P

Overall Width: 35"
 Fin Width: 31 3/4"
 Height: 20"
 Thickness: 1/2"

OE#R0337001



CONDENSERS

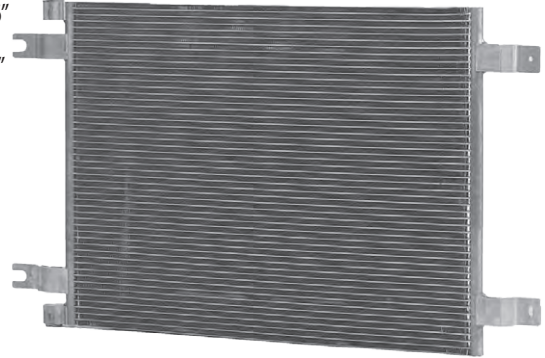
77R8315 RD-4-7351-0P

Overall Width: 34"
 Fin Width: 31"
 Height: 23 1/4"
 Thickness: 3/4"
 210RD422



77R8330 RD-4-7362-0P

Overall Width: 32 3/4"
 Fin Width: 26"
 Height: 20"
 Thickness: 1/2"
 OE#N4783001



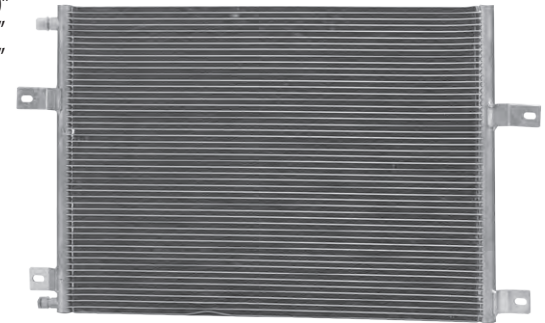
77R8320 RD-4-7352-0P

Overall Width: 20"
 Fin Width: 18 1/2"
 Height: 24 1/2"
 Thickness: 1 1/4"
 OE#210RD424



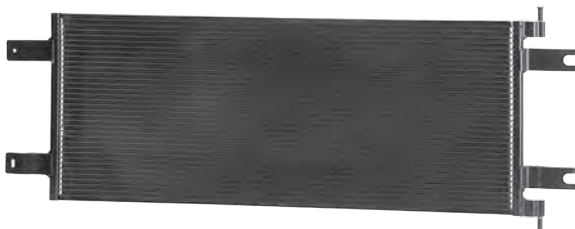
77R8335 RD-4-7358-0P

Overall Width: 44"
 Fin Width: 30"
 Height: 19 3/4"
 Thickness: 1/2"
 OE#210RD59M



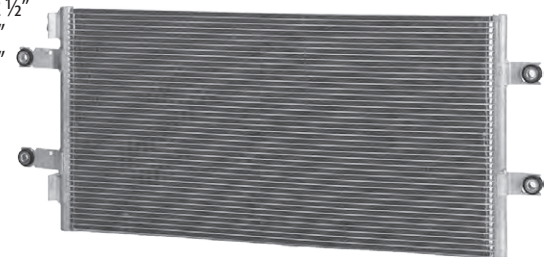
77R8325 RD-4-7365-0P

Overall Width: 34 1/4"
 Fin Width: 32"
 Height: 14"
 Thickness: 1 1/4"
 OE#R0440001



77R8340 RD-4-7360-0P

Overall Width: 38 1/2"
 Fin Width: 32 1/2"
 Height: 16 1/2"
 Thickness: 1/2"
 OE#210RDJ17M



CONDENSERS

77R8345

RD-4-7348-0P

OE#210RD427

Overall Width: 34 1/2"
 Fin Width: 33 1/2"
 Height: 21 1/2"
 Thickness: 3/4"

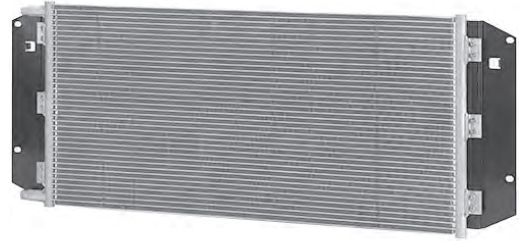


77R8365

RD-4-7363-0P

35010633

Overall Width: 38"
 Fin Width: 31"
 Height: 15 1/4"
 Thickness: 3/4"

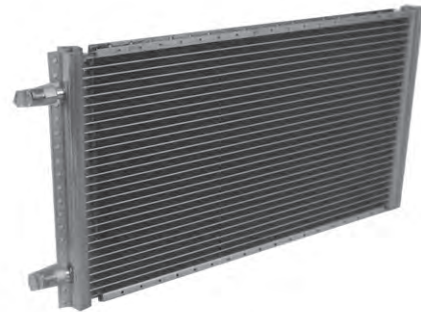


77R8370

RD-4-7474-0P

Tripac # 67-2145
 67-2363
 67-2494

Overall Width: 21 3/4"
 Fin Width: 18 3/4"
 Height: 12"
 Thickness: "

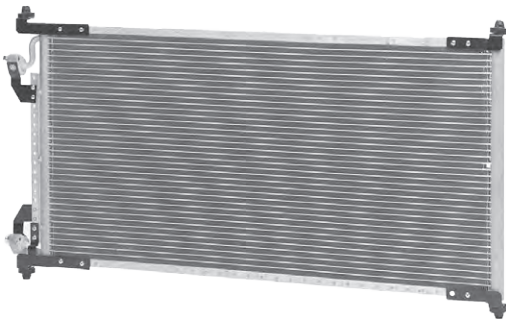


77R8350

RD-4-7361-0P

OE#2591836C91
 2891612C91

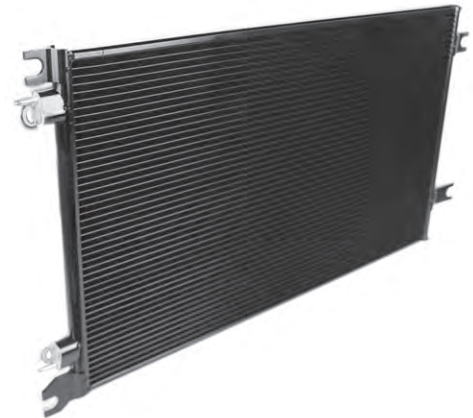
Overall Width: 32 3/4"
 Fin Width: 31"
 Height: 16"
 Thickness: 1/2"



77R8375

RD-4-7473-0P

Overall Width: 37 1/2"
 Fin Width: 32 1/2"
 Height: 19 1/4"
 Thickness: 3/4"

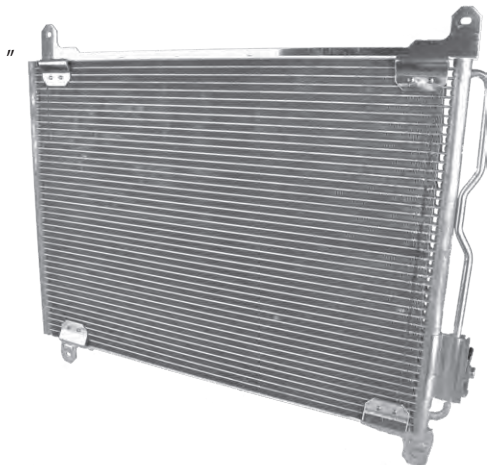


77R8355

RD-4-7386-0P

BHT P5631001

Overall Width: 24"
 Fin Width: 23"
 Height: 21"
 Thickness: 3/4"



77R8380

RD-4-7472-0P

Overall Width: 27 1/2"
 Fin Width: 23 1/2"
 Height: 19 3/4"
 Thickness: 3/4"



CONDENSERS

77R8385 RD-4-7544-0P

Overall Width: 23 1/2"
 Fin Width: 23 1/2"
 Height: 9 1/2"
 Thickness: 3"
 216-0804, 216-0805, 9X3439

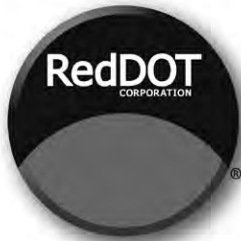


Image Not Available

77R8405 RD-4-7532-0P

Overall Width: 35 1/4"
 Fin Width: 29"
 Height: 10"
 Thickness: 3/4"
 A22-32466-001



Image Not Available

77R8390 RD-4-7528-0P

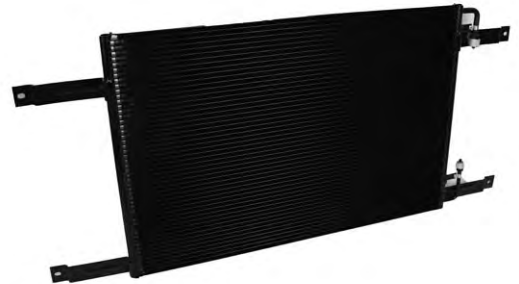
Overall Width: 40 1/4"
 Fin Width: 24 1/2"
 Height: 19"
 Thickness: 3/4"
 A22-62372-000, A22-65665-000,
 A22-66826-000



Image Not Available

77R8410 RD-4-7533-0P

Overall Width: 42 1/2"
 Fin Width: 30 1/4"
 Height: 20 1/4"
 Thickness: 3/4"
 A22-43941-000



77R8395 RD-4-7529-0P

Overall Width: 32"
 Fin Width: 28"
 Height: 20 1/2"
 Thickness: 3/4"
 A22-62390-000, A22-66842-000



Image Not Available

77R8415 RD-4-7535-0P

Overall Width: 31 3/4"
 Fin Width: 26 3/4"
 Height: 24"
 Thickness: 3/4"
 ABP N83 306280, 680-830-03-70,
 BOA 198365, BSM 306280



Image Not Available

77R8400 RD-4-7531-0P

Overall Width: 30 3/4"
 Fin Width: 25 1/2"
 Height: 15"
 Thickness: 3/4"
 901-500-05-54, 5104114AA



Image Not Available

77R8420 RD-4-7538-0P

Overall Width: 34 1/4"
 Fin Width: 30"
 Height: 18 3/4"
 Thickness: 3/4"
 15112434, 15-63391



Image Not Available

CONDENSERS

77R8425

RD-4-7534-0P

Overall Width: 31 1/2"
 Fin Width: 30 1/4"
 Height: 20 1/2"
 Thickness: 3/4"

K122-143



Image Not Available

77R8455

RD-4-7499-0P

Overall Width: 33 1/4"
 Fin Width: 29"
 Height: 9 3/4"
 Thickness: 3/4"

A22-24885-001



77R8440

RD-4-7543-0P

Overall Width: 29 1/4"
 Fin Width: 26 1/2"
 Height: 21 1/2"
 Thickness: 1"



Image Not Available

77R8465

RD-4-7496-0P

Overall Width: 29 1/2"
 Fin Width: 26"
 Height: 26 1/2"
 Thickness: 3/4"

1667340C5



77R8445

RD-4-7542-0P

Overall Width: 44 1/2"
 Fin Width: 38 1/4"
 Height: 17 3/4"
 Thickness: 3/4"

3853558F92



Image Not Available

77R8470

RD-4-7501-0P

Overall Width: 28 1/2"
 Fin Width: 25 1/2"
 Height: 27 1/4"
 Thickness: 3/4"

1072720, 1675462C1, 1675462C2

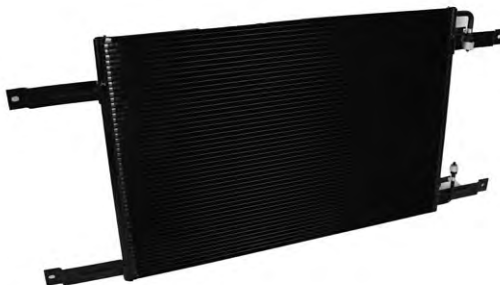


77R8450

RD-4-7498-0P

Overall Width: 30 1/4"
 Fin Width: 28 1/2"
 Height: 24 1/2"
 Thickness: 3/4"

22-32302-001



CONDENSERS

77R8475

RD-4-7502-0P

Overall Width: 36 3/4"
Fin Width: 34"
Height: 31 1/4"
Thickness: 1 3/4"

586908C92



77R8480

RD-4-7503-0P

Overall Width: 29 1/2"
Fin Width: 25 3/4"
Height: 18 1/4"
Thickness: 3/4"

8022509



Image Not Available

77R8485

RD-4-7504-0P

Overall Width: 28 3/4"
Fin Width: 25 3/4"
Height: 18 1/4"
Thickness: 3/4"

8164786



77R8495

RD-4-7551-0P

Overall Width: "
Fin Width: "
Height: "
Thickness: "

29206001



Image Not Available

CONDENSERS

POWER CONDENSERS

Listed in ascending order by **Height x Length x Thickness**

Height	Length	Thickness	Fitting #6 (5/8")	Location #8 (3/4")	Amps	Fan CFM	BTUs	Application	Red Dot Part No.	Factory No.
12 VOLT FAN										
9 1/8"	26 21/32"	4 3/4"	J	H			5,800	Fits R-2110, 1 Fan	77R0250	RD-4-4144-2P
10 1/8"	22 5/8"	2 3/4"	G	G		800	22,000	Fits R-2150, 2 Fans	77R0530	RD-4-4400-0P
12 1/8"	16 1/4"	6"	G	J	7.5	1,100	19,500	1 Fan, 7.5 amps @ 12.6VDC	77R1622	RD-4-5311-0P
12 7/8"	33 1/2"	4"	F	D	15.7	1,210	25,000	Fits R-9475, 2 Fans	77R1502	RD-4-5990-0P
14 1/4"	22"	3 3/4"	G	J	28	818	17,300	2 Fans, 28 amps @ 12.6 VDC	77R1602	RD-5-9616-0P
15"	16 1/4"	6"	F	D			20,000	Fits R-20500, 1 Fan with Drier	77R1632	RD-4-5700-1P
16"	31 1/2"	8 1/2"	G	J	18	1,219	25,000	1 Fan, 18 amps @ 13.6 VDC	77R1612	RD-5-9617-0P
12 3/8"	25"	6"	G	J	19	1,040	30,000	19 amps @ 13.5 VDC	77R1512	RD-4-7083-0P
14"	36"	6 1/2"			22	1,680	45,000	22 amps @ 13.5 VDC	77R1522	RD-4-7084-0P
12 1/4"	15 1/2"	4 1/2"	G	J	11	500	25,000	11 amps @ 13.5 VDC	77R1702	RD-4-7085-0P
24 VOLT FAN										
10 1/8"	22 5/8"	2 3/4"	G	G		800	22,000	Fits R-2150, 2 Fans	77R0534	RD-4-4400-1P
12 1/8"	16 1/4"	6"	G	J	3.6	1,100	19,500	1 Fan, 3.6 amps @ 27.2 VDC	77R1624	RD-4-5312-0P
12 7/8"	33 1/2"	4"	F	D	7.8	1,210	25,000	Fits R-9475-0-24, 2 Fans	77R1504	RD-4-5990-1P
14 1/4"	22"	3 3/4"	G	J	14	910	25,000	2 Fans, 14 amps @ 27.2 VDC	77R1604	RD-4-5498-0P
15"	16 1/4"	6"	F	D			20,000	Fits R-20500-0-24, Fan with Drier	77R1634	RD-4-5700-1-24P
16"	31 1/2"	8 1/2"	G	J	9	1,219	25,000	9 amps @ 27.2 VDC	77R1614	RD-5-9618-0P
12 3/8"	25"	6"	G	J	9	1,040	30,000	9 amps @ 27VDC	77R1514	RD-4-7083-0-24P
14"	36"	6 1/2"			12	1,750	45,000	12 amps @ 27 VDC	77R1524	RD-4-7084-0-24P
12 1/4"	15 1/2"	4 1/2"	G	J	5.4	500	25,000	5.4 amps @ 27 VDC	77R1704	RD-4-7085-0-24P

CONDENSERS

77R0250 **RD-4-4144-2P**
 9 1/8" high x 26 21/32" long x 4 3/4" thick
 Used with R-2110
 With 12 VDC Fan, 5,800 BTU
 Replacement fan & motor assembly: RD-5-9001-2P
 Replacement condenser: 77R0260



77R0534 **RD-4-4400-1P**
 10 1/8" high x 22 5/8" long x 2 3/4" thick
 Used with R-2150
 With 24 VDC Fans, 800 CFM, 22,000 BTU
 Replacement fan & motor assembly: RD-5-9001-2P
 Replacement condenser: RD-4-4405-0P



77R0530 **RD-4-4400-0P**
 10 1/8" high x 22 5/8" long x 2 3/4" thick
 Used with R-2150
 With 12 VDC Fans, 800 CFM, 22,000 BTU
 Replacement fan & motor assembly: RD-5-9001-2P
 Replacement condenser: RD-4-4405-0P



77R1502 **RD-4-5990-0P**
 12 7/8" high x 33 1/2" long x 4" thick
 Used with R-9475
 With 12 VDC Fans, 15.7 Amps @ 13.6 VDC, 1,210 CFM, 25,000 BTU
 Replacement fan & motor assembly: RD-5-9018-0P
 Replacement condenser: RD-4-5452-0P



POWER CONDENSERS

77R1504

RD-4-5990-1P

12 7/8" high x 33 1/2" long x 4" thick
 Used with R-9475-0-24
 With 24 VDC Fans, 1210 CFM, 7.8 Amps @ 27.2 VDC, 25,000 BTU
 Replacement fan & motor assembly: RD-5-9018-1P
 Replacement condenser: RD-4-5452-0P



77R1522

RD-4-7084-0P

14" high x 36" long x 6 1/2" thick
 With 12 VDC Fans, 1,680 CFM, 22 Amps @ 13.5 VDC, 45,000 BTU
 Mounting bracket 77R9029 sold separately



77R1512

RD-4-7083-0P

12 3/8" high x 25" long x 6" thick
 With 12 VDC Fans, 1,040 CFM, 19 Amps @ 13.5 VDC, 30,000 BTU
 Mounting bracket 77R9025 sold separately



77R1524

RD-4-7084-0-24P

14" high x 36" long x 6 1/2" thick
 With 24 VDC Fans, 1,750 CFM, 12 Amps @ 27 VDC, 45,000 BTU
 Mounting bracket 77R9029 sold separately



77R1514

RD-4-7083-0-24P

12 3/8" high x 25" long x 6" thick
 With 24 VDC Fans, 1,040 CFM, 9 Amps @ 27 VDC, 30,000 BTU
 Mounting bracket 77R9025 sold separately



77R1602

RD-5-9616-0P

14 1/4" high x 22" long x 3 3/4" thick
 With 12 VDC Fans at 11.5 amps, 818 CFM, 17,300 BTU
 Replacement fan & motor assembly: RD-5-9001-0P
 Replacement condenser: 77R1290



CONDENSERS

POWER CONDENSERS

77R1604

RD-4-5498-0P

14 1/4" high x 22" long x 3 3/4" thick
With 24 VDC Fans, 910 CFM, 14 Amps @ 27.2 VDC
Replacement fan & motor assembly: RD-5-9001-1P
Replacement condenser: 77R1290



77R1622

RD-4-5311-0P

12 7/8" high x 16 1/4" long x 6" thick
With 12 VDC Fan, 12.6 VDC at 7.5 amps, 1,100 CFM, 19,500 BTU
Replacement fan & motor assembly: RD-5-8703-2P



77R1612

RD-5-9617-0P

16" high x 31 1/2" long x 8 1/2" thick
With 12 VDC Fans, 1219 CFM, 18 Amps @ 13.6 VDC, 25,000 BTU
Replacement fan & motor assembly: RD-5-9884-0P
Replacement condenser: 77R1300



77R1624

RD-4-5312-0P

12 7/8" high x 16 1/4" long x 6" thick
With 24 VDC Fan, 27.2 VDC at 3.6 amps, 1,100 CFM, 19,500 BTU
Replacement fan & motor assembly: RD-5-8703-1P



77R1614

RD-5-9618-0P

16" high x 31 1/2" long x 8 1/2" thick
With 24 VDC Fans, 1219 CFM, 9 Amps @ 27.2 VDC, 25,000 BTU
Replacement fan & motor assembly: 73R8594
Replacement condenser: 77R1300



77R1632

RD-4-5700-1P

15" high x 16 1/4" long x 6" thick – 12v fan with drier, 20,000 BTU
Used with R-20500-0 Heater AC TB175 Kit
Replacement fan & motor assembly: RD-5-8747-4P
Replacement condenser: RD-4-6528-0P



**POWER
CONDENSERS**

77R1634 RD-4-5700-1-24P

15" high x 16 1/4" long x 6" thick – 24v fan with drier, 20,000 BTU
Used with R-20500-0-24 Heater AC Kit
Replacement fan & motor assembly: 73R8654 / RD-5-8747-5P
Replacement condenser: RD-4-6528-0P



77R1702 RD-4-7085-0P

12 1/4" high x 15 1/2" long x 4 1/2" thick
With 12 VDC Fans, 500 CFM, 11 Amps @ 13.5 VDC, 25,000 BTU
Mounting bracket 77R9027 sold separately



77R1704 RD-4-7085-0-24P

12 1/4" high x 15 1/2" long x 4 1/2" thick
With 24 VDC Fans, 500 CFM, 5.4 Amps @ 27 VDC, 25,000 BTU
Mounting bracket 77R9027 sold separately



**CONDENSER
MOUNTING BRACKETS**

Developed to aid the installer, these universal condenser mounting brackets attach directly to the condenser. Will span a radiator with outside dimension of 44 inches.

77R9000 RD-5-5403-0P

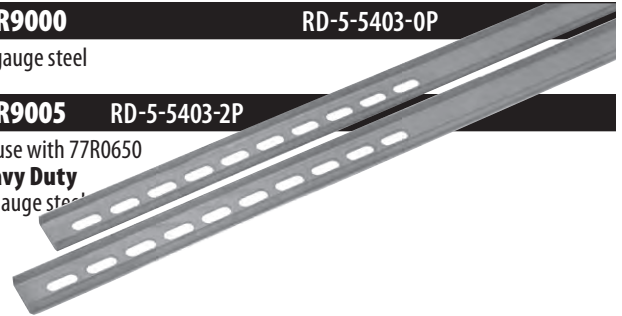
16-gauge steel

77R9005 RD-5-5403-2P

For use with 77R0650

Heavy Duty

11-gauge steel



77R9010 RD-5-5403-1P

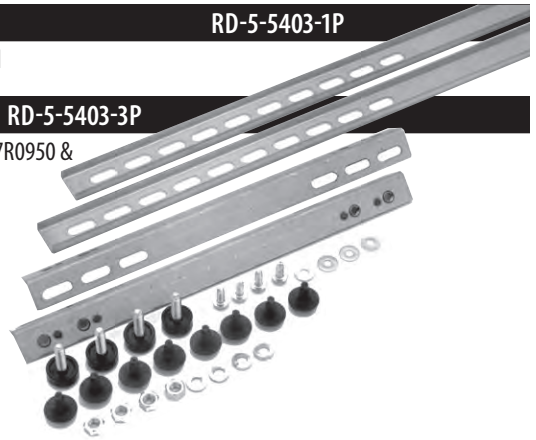
16-gauge steel

77R9015 RD-5-5403-3P

For use with 77R0950 & 77R1100

Heavy Duty

11-gauge steel



77R9020 RD-11-0054-0P

For use with Remote Mount Condenser

16-gauge steel



77R9025 1761

For use with 77R1512 and 77R1514 condensers

12-gauge steel



77R9027 1866

For use with 77R1702 and 77R1704 condensers

12-gauge steel



CONTROL PANELS

CONTROLS FOR A/C ONLY AND HEATER A/C

Control Panel	71R5212 RD-3-3751-1P	71R5600 RD-3-9379-0P	71R5605 RD-3-9379-1P	71R5122 RD-3-13609-0P	71R5812 RD-6-5452-0P	71R5814 RD-6-5524-0P	71R5815 RD-2-6169-0P
Unit Number							
R-1630-1P		✓	✓	✓	✓		
R-2300-0P							✓
R-2300-0-24P							✓
R-2300-2P		✓	✓	✓			
R-2300-2-24P		✓	✓	✓			
R-2550-0P		✓	✓	✓	✓		
R-4122-9P	✓						
R-5040-4P		✓	✓	✓	✓		
R-5040-6P		✓	✓	✓		✓	
R-9520-0P		✓	✓	✓	✓		
R-9520-0-24P		✓	✓	✓		✓	

CONTROLS FOR HEATER-ONLY

Control Panel	71R5817 RD-1-3659-0P	71R5819 RD-1-3660-0P	71R5821 RD-1-3661-0P	71R5823 RD-1-3662-0P
Unit Number				
R-254-0P		✓		
R-254-0-24P		✓		
R-254-4P		✓		
R-255-10P		✓		
R-255-10-24P		✓		
R-255-4P		✓		
R-270-0P		✓		
R-270-0-24P		✓		
R-290-0P			✓	✓
R-290-0-24P			✓	✓
R-290-4P			✓	✓
R-290-4-24P			✓	✓
R-295-0P			✓	✓
R-295-0-24P			✓	✓
R-295-4P			✓	✓
R-2020-0P	✓			
R-2300-1P			✓	✓
R-2300-1-24P			✓	✓
R-4013HP		✓		
R-5040-0P			✓	✓
R-5040-2P			✓	✓
R-6130-1P		✓		
R-6130-0P		✓		

ORDERING INFORMATION

These control designs provide a custom look by mounting into an existing control panel or the wall and flush with the interior lining.

71R5212 RD-3-3751-1P

Heater-A/C Control - Three-speed motor switch with Red Dot Twin Temp™ Control



71R5600 RD-3-9379-0P

Three-speed motor switch - (requires manual water valve)



71R5605 RD-3-9379-1P

Three-speed motor switch - (requires electronic water valve)



71R5122 RD-3-13600-0P

Three-speed motor switch - includes A/C switch and electronic water valve



71R5812 RD-6-5452-0P

Automatic Temperature Control - 12 volt (see next page for details)



71R5814 RD-6-5524-0P

Automatic Temperature Control - 24 volt (see next page for details)



71R5815 RD-2-6169-0P

Three-speed motor switch with A/C Switch



71R5817 RD-1-3659-0P

Heater control - Single speed motor switch - (requires manual water valve)



71R5819 RD-1-3660-0P

Heater control - Two-speed motor switch - (requires manual water valve)



71R5821 RD-1-3661-0P

Heater control - Three-speed motor switch - (requires manual water valve)



71R5823 RD-1-3662-0P

Heater Control - Three-speed motor switch - (requires electronic water valve 71R7110)



CONTROL PANELS

MAIN CAB CONTROLS – AUTOMATIC TEMPERATURE CONTROL (ATC)

The Automatic Temperature Control (ATC) is the latest in Red Dot control technology. ATC can be used in a myriad of applications offering sophisticated control technology. Check with your Red Dot Distributor regarding your particular application.

The ATC package includes:

- Touch pad controller
- Infinite fan speed manual control or Automatic fan speed control
- Electric water valve control
- Outside air temperature sensor
- Evaporator temperature sensor
- Duct outlet air sensor
- Cab temperature set point
- On board diagnostics
- Versatile mounting
- Solid state circuitry
- Dimensions: 7" x 2"

71R5812 – 12 Volt
RD-6-5452-0P

71R5814 – 24 Volt
RD-6-5524-0P



CONTROL PANELS

Replacement Parts for the RD-6-5452-0P (71R5812) and RD-6-5524-0P (71R5814)

Red Dot Part No.	Factory No.	Description
	RD-5-8131-0P	Thermastor-Air Temperature Probe Assembly
	RD-5-11820-0P	Harness - Control Panel Atc
	RD-6-5451-0P	Harness - ATC Kit A/M
72R7110	RD-1-3242-0P	Valve - Water 12/24V Assembly
	RD-3-8350-0P	Control Box Assembly Am ATC 12V
	RD-3-8350-24P	Control Box Assembly Am ATC 24V

Red Dot Part No.	Factory No.	Description
	RD-6-5414-0P	Module Assembly - 12V/24V ATC ECU - Advanced
	RD-2-3373-0P	Mount Sensor
	RD-5-9216-1P	Air Temp Sensor Assembly
	RD-3-7385-0P	Evaporator Probe Assembly

CONTROL SWITCHES, ELECTRICAL LIGHTING & CONDUIT LOOM

CTC CIRCUIT BOARD

71R3502

RD-6-4797-0P

12 Volt, 30k ohm Thermistor blower speed control switch



71R3504

RD-6-4797-1P

24 Volt, 30k ohm Thermistor blower speed control switch



LAMP ASSEMBLIES

71R1262

RD-5-8535-0P

12 Volt



71R1264

RD-5-8535-24P

24 Volt



WIRE LOOM CONDUIT



79R0138

RD-5-4762-96P

0.375 inside diameter black wire loom conduit

79R0150

RD-5-5905-96P

0.500 inside diameter black wire loom conduit



79R0225

RD-5-7357-96P

0.250 inside diameter gray wire loom conduit

79R0241

RD-5-5662-96P

0.413 inside diameter gray wire loom conduit

79R0250

RD-5-7171-96P

0.500 inside diameter gray wire loom conduit

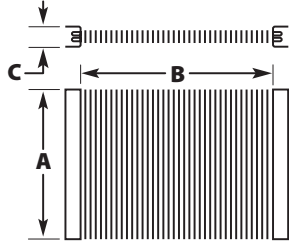
79R0258

RD-5-5908-96P

0.625 inside diameter gray wire loom conduit

CONTROL
PANELS

EVAPORATOR SPECIFICATIONS



Listed in ascending order by **Height** measured along the fin X **Length** of coil is the fin segment between header plates X **Width** is the coils "thickness"

EVAPORATOR COILS

[A] Height	[B] Length	[C] Width	Used on Red Dot Unit Models...	Red Dot Part No.	Factory No.
4	17 7/8	2 3/4	R-9755	76R4920	RD-2-2047-0P
4	19 1/8	2 3/4	R-9750	76R4900	RD-2-1633-0P
5	14 1/2	2 1/2	R-8500, R-10035	76R5030	RD-2-1909-0P
5	12	3 1/2	R-2300	76R5323	RD-2-5661-0P
5 1/4	12 7/16	3	R-2100	76R5320	RD-2-3251-0P
5 1/4	12 7/16	3	R-2110, R-2130	76R5000	RD-2-1510-0P
6	12 1/2	2 3/4	R-2000	76R5200	RD-2-0993-1P
6	13 1/2	2 3/4	R-8545	76R5300	RD-2-1664-0P
6	15	2 5/32	R-3300	76R5520	RD-2-1755-0P
6	15 1/8	2 5/32	R-6000	76R5500	RD-2-1195-0P
6	17 1/2	2 3/4	R-2120	76R5600	RD-2-1669-0P
6 7/64	9 3/4	3 13/32	R-1630	76R6325	RD-2-3832-0P
6 7/64	16 1/2	3 13/32	R-2825	76R7450	RD-2-3923-0P
6 7/64	17 1/2	2 3/4	R-2500	76R6070	RD-2-3773-0P
6 7/64	23 1/2	3 13/32	R-3960	76R7725	RD-2-3629-0P
6 7/64	23 1/2	3 13/32	R-9475	76R7715	RD-2-2897-0P
6 1/8	17 1/2	2 5/32	R-9777	76R5820	RD-2-3413-0P
6 1/8	19 1/8	3 3/8	R-10045-0	76R7560	RD-2-2440-0P
6 1/8	22	2 3/4	R-10151-0	76R6550	RD-2-2495-0P
7	9	3	Peterbilt Applications	76R5716	RD-2-6297-0P
7"	10 3/8"	2 5/8"		76R7740	RD-2-7285-0P
7 7/64	17 1/2	2 5/32	R-9737-3, R-9757	76R6015	RD-2-2791-0P
7 7/64	17 1/2	2 5/32	R-9800	76R5700	RD-2-2885-0P
8	5 5/8	2 7/8	R-4290	76R6120	RD-2-1660-0P
8	8	2 7/8	R-1500	76R6160	RD-2-1862-0P
8	8	3 13/32	R-4130, R-4160, R-4170, R-4190	76R6150	RD-2-1402-0P
8	8 1/4	3 13/32	R-5050 with drainpan, R-8050, R-8820	76R6180	RD-2-1480-1P
8	9	3	R-5060	76R6310	RD-2-1272-0P
8	9	2 3/4	R-7820, R-7830	76R6350	RD-2-1316-0P
8	9	3 13/32	R-3180	76R6420	RD-2-1658-0P
8	10 13/32	3 13/32	R-3130, Freightliner Applications	76R6440 LS	RD-2-1650-0P
8	11 13/16	2 7/8	R-4040	76R6700	RD-2-1156-0P
8	12	3 13/32	R-5130	76R6850	RD-2-1485-0P
8	12 11/64	3 13/32	Kenworth Applications	76R6960	RD-2-2502-0P
8	12 1/4	4 1/8	Ford OE# E7TZ-19860-A	76R7507	RD-2-3828-0P
8	12 11/16	3 13/32	R-2180, R-7070, R-10040	76R6950	RD-2-1381-0P
8	13	3 13/32	R-1620	76R6650	RD-2-3070-0P
8	14 9/16	2 7/8	R-5180	76R7010	RD-2-1610-0P
8	15 1/8	3	R-9727-1	76R7100	RD-2-1121-2P
8 1/16"	8"	2 3/8"		76R7735	RD-2-7284-0P
8 7/64	7 29/32	3 13/32	R-4230	76R6130	RD-2-1898-0P
8 7/64	15 3/64	3 13/32	R-5040, R-5045-2, R-5075, R-10170	76R7070	RD-2-1370-0P
8 7/64	15 3/64	3 1/2	R-2510-0	76R7020	RD-2-2775-1P
8 7/64	15 3/64	3 1/2	R-2520, R-9500, R-9510, R-10034	76R7030	RD-2-3008-0P

Most evaporator coils are #8 male "O" ring.

LS = Limited to stock on hand

CONTINUES ON NEXT PAGE

EVAPORATOR COILS

Listed in ascending order by **Height** measured along the fin X **Length** of coil is the fin segment between header plates X **Width** is the coils "thickness"

[A] Height	[B] Length	[C] Width	Used on Red Dot Unit Models...	Red Dot Part No.	Factory No.
8 7/64	21 9/32	2 7/8	R-9715	76R6040	RD-2-2928-0P
8 7/64	23 7/16	3 13/32	R-9787	76R7720	RD-2-3410-0P
8 1/2	13	3 13/32	R-9450	76R6655	RD-2-2780-0P
9 1/2"	10 3/8"	2 1/2"		76R7750	RD-2-7298-0P
10	9	3 1/8	R-5150, R-8800	76R7510	RD-2-1655-0P
10	9	3 1/8	R-8220, R-8230	76R7520	RD-2-1616-0P
10	12	4	R-2550	76R7710	RD-2-3398-0P
10	12 3/4	2 3/4		76R7712	RD-5-14624-0P
10	15 1/2	3 3/4	R-10060-0, -1, -2, -3 Evaporator/Heater Combo	76R7580	RD-2-3395-0P
10 7/64	11	3 13/32	R-5260	76R7530	RD-2-2423-0P
10 7/64	11	3 13/32	R-5275	76R7535	RD-2-4032-0P
10 1/2	8 1/4	3 5/8	R-8725-0	76R7505	RD-5-7847-0P
11 1/4	13 1/2	3 1/2	R-10046, R-10047	76R7570	RD-2-3321-0P
12	6 1/2	3 7/8	F/L See Applications section	76R7515	RD-2-4074-0P
12	9 1/4	4 1/2	Peterbilt Applications	76R6668	RD-2-6298-0P
12	10 19/32	2 7/8	R-10235	76R7550	RD-2-1766-0P
12	11	3 13/32	R-4140	76R7700	RD-2-1470-0P

Most evaporator coils are #8 male O-Ring.

EVAPORATOR
COILS

76R4900

RD-2-1633-0P

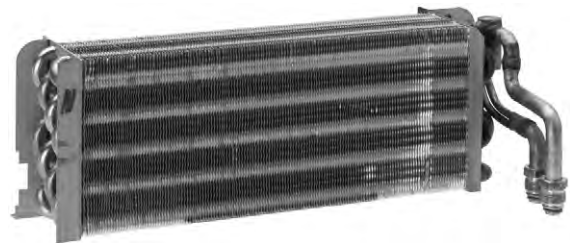
Used on Red Dot Unit Model R-9750
4" high x 19 1/8" long x 2 3/4" wide



76R5000

RD-2-1510-0P

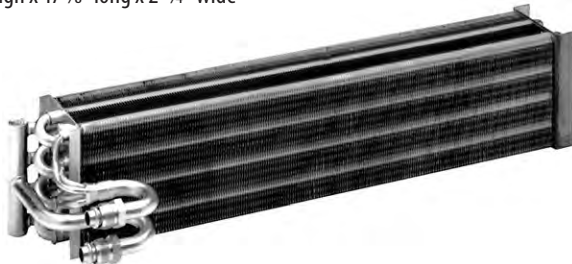
Used on Red Dot Unit Models R-2110, R-2130
5 1/4" high x 12 7/16" long x 3" wide



76R4920

RD-2-2047-0P

Used on Red Dot Unit Model R-9755
4" high x 17 7/8" long x 2 3/4" wide



76R5030

RD-2-1909-0P

Used on Red Dot Unit Models R-8500, R-10035
5" high x 14 1/2" long x 2 1/2" wide



LS = Limited to stock on hand

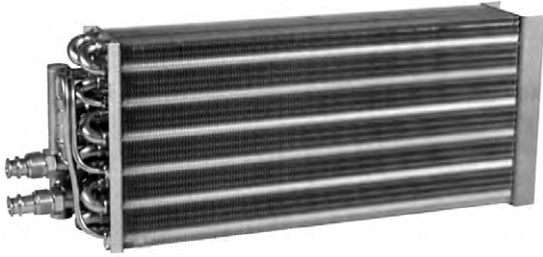
EVAPORATOR COILS

EVAPORATOR
COILS

76R5200

RD-2-0993-1P

Used on Red Dot Unit Model R-2000
6" high x 12 1/2" long x 2 3/4" wide



76R5300

RD-2-1664-0P

Used on Red Dot Unit Model R-8545
6" high x 13 1/2" long x 2 3/4" wide



76R5320

RD-2-3251-0P

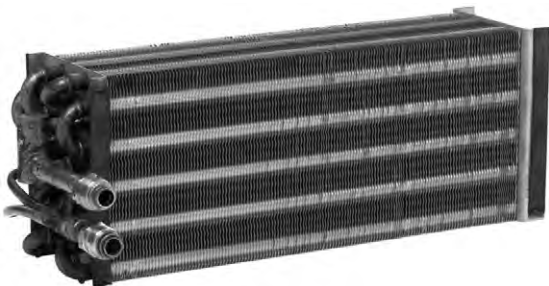
Used on Red Dot Unit Model R-2100
5 1/4" high x 12 7/16" long x 3" wide



76R5323

RD-2-5661-0P

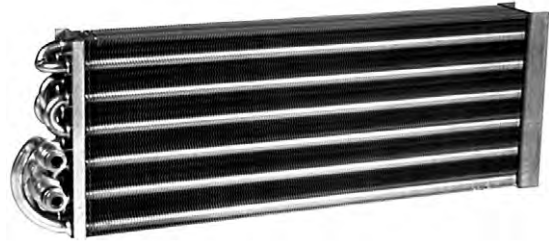
Used on Red Dot Unit Model R-2300
5" high x 12" long x 3 1/2" wide



76R5500

RD-2-1195-0P

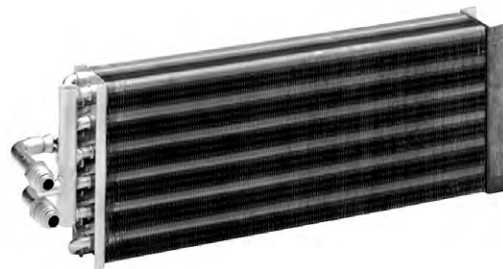
Used on Red Dot Unit Model R-6000
6" high x 15 1/8" long x 2 5/32" wide



76R5520

RD-2-1755-0P

Used on Red Dot Unit Model R-3300
6" high x 15" long x 2 5/32" wide



76R5600

RD-2-1669-0P

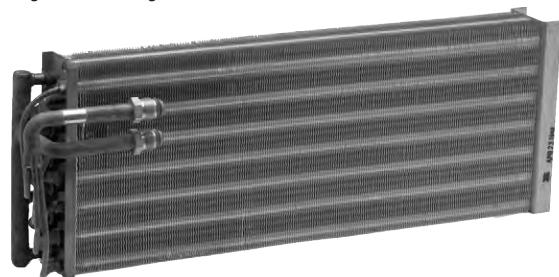
Used on Red Dot Unit Model R-2120
6" high x 17 1/2" long x 2 3/4" wide



76R5700

RD-2-2885-0P

Used on Red Dot Unit Model R-9800
7 7/16" high x 17 1/2" long x 2 5/32" wide



EVAPORATOR COILS

EVAPORATOR
COILS

76R5820

RD-2-3413-0P

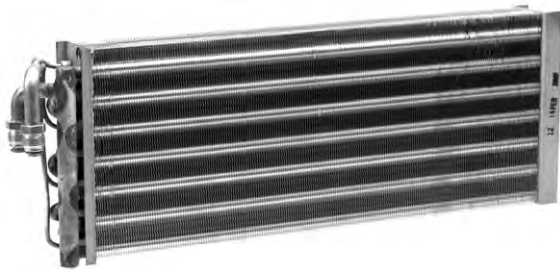
Used on Red Dot Unit Model R-9777
6 1/8" high x 17 1/2" long x 2 5/32" wide



76R6015

RD-2-2791-0P

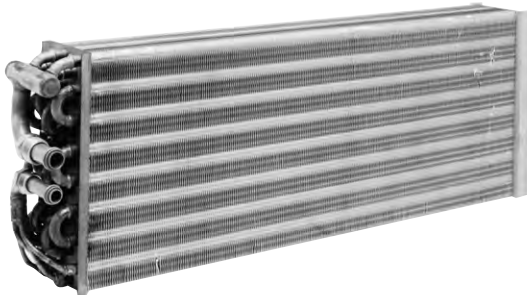
Used on Red Dot Unit Models R-9737-3, R-9757
7 7/64" high x 17 1/2" long x 2 5/32" wide



76R6040

RD-2-2928-0P

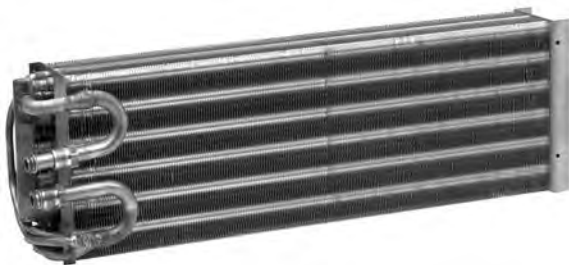
Used on Red Dot Unit Model R-9715
8 7/64" high x 21 9/32" long x 2 7/8" wide



76R6070

RD-2-3773-0P

Used on Red Dot Unit Model R-2500
6 7/64" high x 17 1/2" long x 2 3/4" wide



76R6120

RD-2-1660-0P

Used on Red Dot Unit Model R-4290
8" high x 5 5/8" long x 2 7/8" wide



76R6130

RD-2-1898-0P

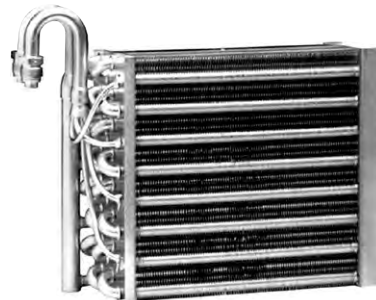
Used on Red Dot Unit Model R-4230
8 7/64" high x 7 29/32" long x 3 13/32" wide



76R6150

RD-2-1402-0P

Used on Red Dot Unit Models R-4130, R-4160, R-4170, R-4190
8" high x 8" long x 3 13/32" wide



76R6160

RD-2-1862-0P

Used on Red Dot Unit Model R-1500
8" high x 8" long x 2 7/8" wide



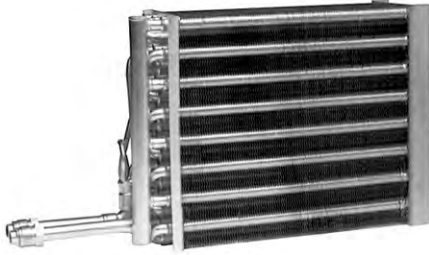
EVAPORATOR COILS

EVAPORATOR
COILS

76R6180

RD-2-1480-1P

Used on Red Dot Unit Models R-5050 with Drainpan, R-8050, R-8820
8" high x 8 1/4" long x 3 1/2" wide



76R6310

RD-2-1272-0P

Used on Red Dot Unit Model R-5060
8" high x 9" long x 3" wide



76R6325

RD-2-3832-0P

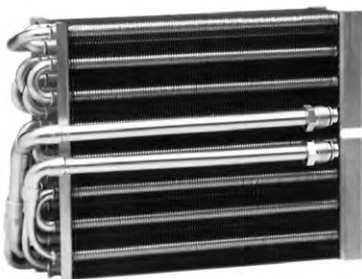
Used on Red Dot Unit Models R-1630
6 7/8" high x 9 3/4" long x 3 1/2" wide



76R6350

RD-2-1316-0P

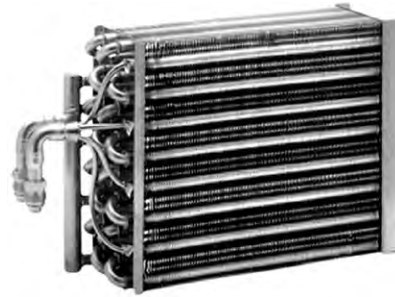
Used on Red Dot Unit Models R-7820, R-7830
8" high x 9" long x 2 3/4" wide



76R6420

RD-2-1658-0P

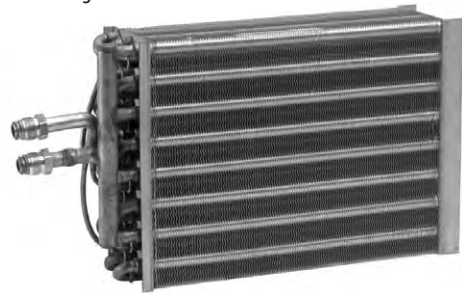
Used on Red Dot Unit Model R-3180
8" high x 10" long x 3 1/2" wide



76R6440

RD-2-1650-0P

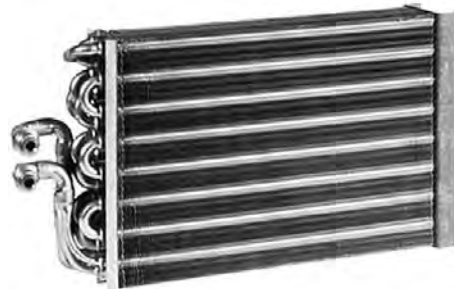
Used on Red Dot Unit Model R-3130 Freightliner Application **LS**
8" high x 10 1/2" long x 3 1/2" wide



76R6500

RD-2-1051-0P

Used on Red Dot Unit Model R-3040
8" high x 11 1/8" long x 2 7/8" wide



76R6550

RD-2-2495-0P

Used on Red Dot Unit Model R-10151-0
6 1/8" high x 22" long x 2 3/4" wide



LS = Limited to stock on hand

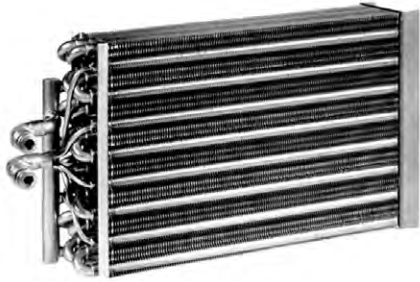
EVAPORATOR COILS

EVAPORATOR
COILS

76R6650

RD-2-3070-0P

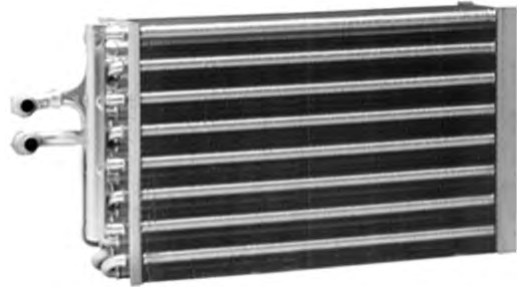
Used on Red Dot Unit Model R-1620
8" high x 13" long x 3 1/2" wide



76R6850

RD-2-1485-0P

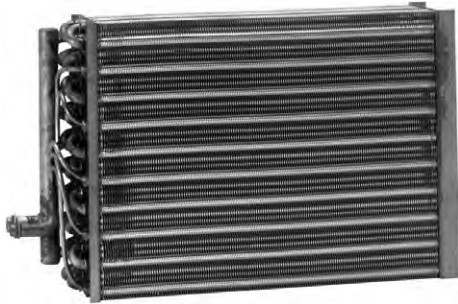
Used on Red Dot Unit Model R-5130
8" high x 12" long x 3 1/2" wide



76R6655

RD-2-2780-0P

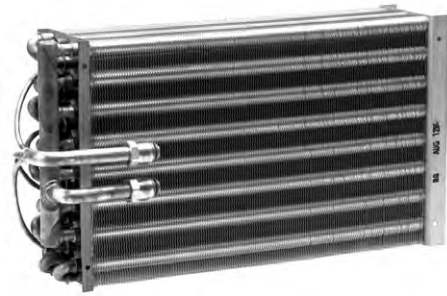
Used on Red Dot Unit Model R-9450
8 1/2" high x 13" long x 3 1/2" wide



76R6950

RD-2-1381-0P

Used on Red Dot Unit Models R-2180, R-7070, R-10040
8" high x 12 1/16" long x 3 1/2" wide



76R6668

RD-2-6298-0P

Used on Peterbilt applications
8 1/2" high x 9 1/4" long x 5 1/2" wide

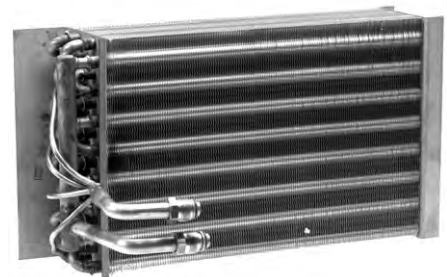


76R6960

RD-2-2502-0P

Used on Kenworth Models – See Applications
8" high x 12 1/4" long x 3 1/2" wide

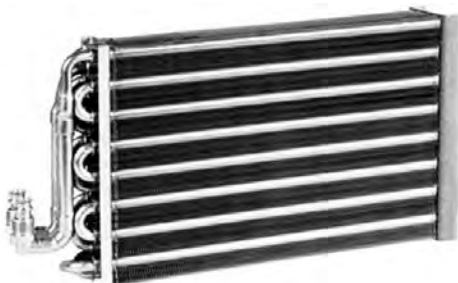
OE#151328BSM



76R6700

RD-2-1156-0P

Used on Red Dot Unit Model R-4040
8" high x 11 1/16" long x 2 7/8" wide



76R7010

RD-2-1610-0P

Used on Red Dot Unit Model R-5180
8" high x 14 9/16" long x 2 7/8" wide



LS = Limited to stock on hand

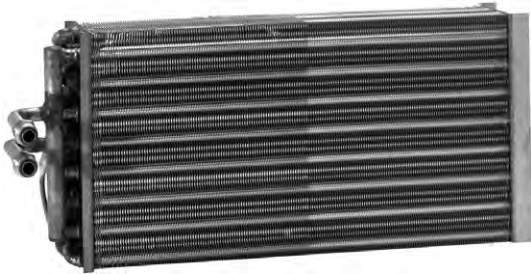
EVAPORATOR COILS

EVAPORATOR
COILS

76R7020

RD-2-2775-1P

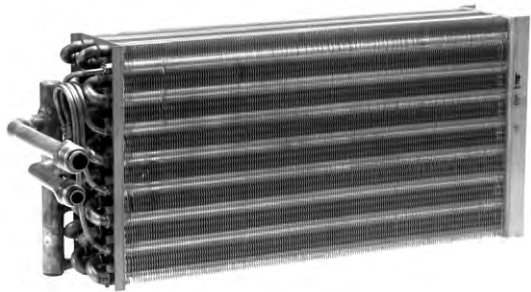
Used on Red Dot Unit Model R-2510-0
8 7/8" high x 15 3/4" long x 3 1/2" wide



76R7030

RD-2-3008-0P

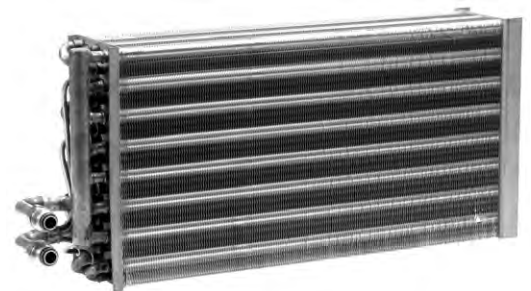
Used on Red Dot Unit Models R-2520, R-9500, R-9510, R-10034
8 7/8" high x 15 3/4" long x 3 1/2" wide



76R7070

RD-2-1370-0P

Used on Red Dot Unit Models R-5040, R-5045-2, R-5075, R-10170
8 7/8" high x 15 3/4" long x 3 1/2" wide



76R7100

RD-2-1121-2P

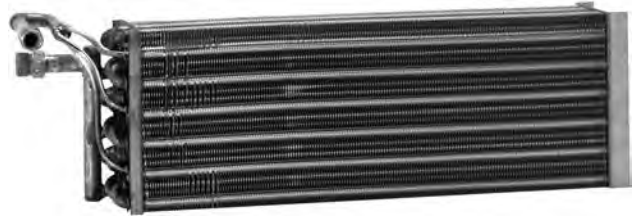
Used on Red Dot Unit Model R-9727-1
8" high x 15 1/8" long x 3" wide



76R7450

RD-2-3923-0P

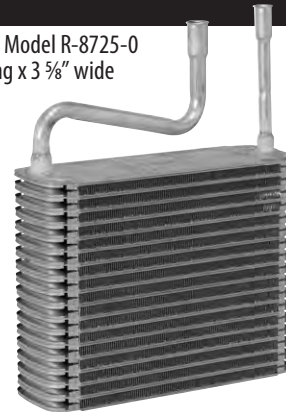
Used on Red Dot Unit Model R-2825
6 7/8" high x 16 1/2" long x 3 1/2" wide



76R7505

RD-5-7847-0P

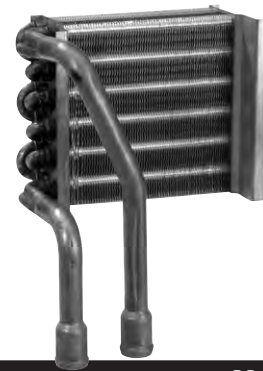
Used on Red Dot Unit Model R-8725-0
10 1/2" high x 8 1/4" long x 3 5/8" wide



76R7507

RD-2-3828-0P

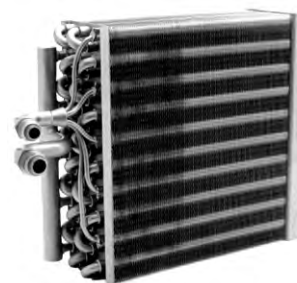
Ford OE#E7TZ-19860A
8" high x 12 1/4" long x 4 1/8" wide



76R7510

RD-2-1655-0P

Used on Red Dot Unit Models R-5150, R-8800
10" high x 9" long x 3 1/8" wide



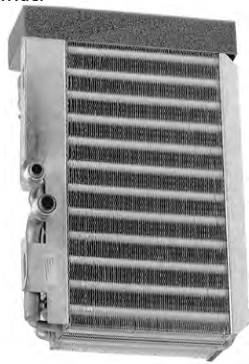
EVAPORATOR COILS

EVAPORATOR
COILS

76R7515

RD-2-4074-0P

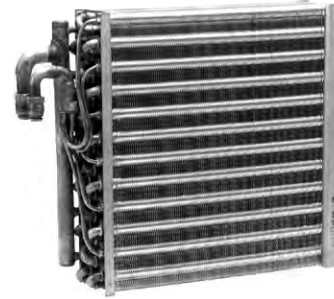
12" high x 6 1/2" long x 3 7/8" wide.
OE #BOA73-000-04-02,
BOA80-375-00-569
Freightliner Applications



76R7550

RD-2-1766-0P

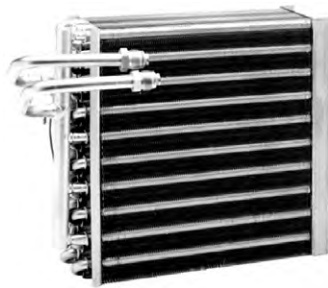
Used on Red Dot Unit Model R-10235
12" high x 10 1/2" long x 2 7/8" wide



76R7520

RD-2-1616-0P

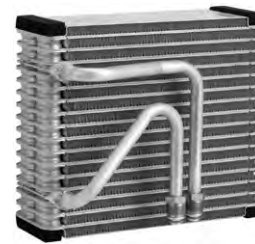
Used on Red Dot Unit Models R-8220, R-8230
10" high x 9" long x 3 1/8" wide



76R7555

RD-2-5125-1P

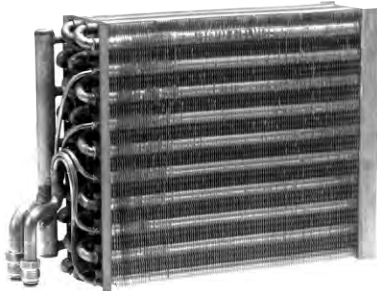
Used on Red Dot Unit Model R-6830
9 1/4" high x 8" long x 2 7/8" wide



76R7530

RD-2-2423-0P

Used on Red Dot Unit Model R-5260, Western Star 60004-3401
10 7/64" high x 11" long x 3 13/32" wide



76R7560

RD-2-2440-0P

Used on Red Dot Unit Model R-10045-0 **LS**
6 1/8" high x 19 1/8" long x 3 3/8" wide



76R7535

RD-2-4032-0P

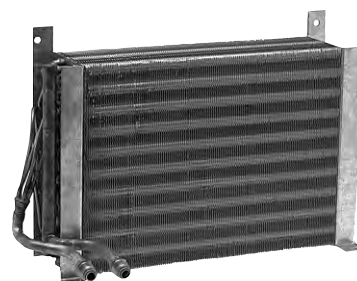
Used on Red Dot Unit Model R-5275
10 7/64" high x 11" long x 3 13/32" wide



76R7570

RD-2-3321-0P

11 1/4" high x 13 1/2" long x 3 1/2" wide



LS = Limited to stock on hand

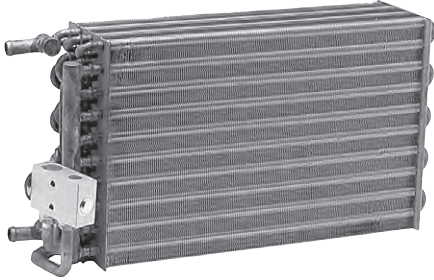
EVAPORATOR COILS

EVAPORATOR
COILS

76R7580

RD-2-3395-0P

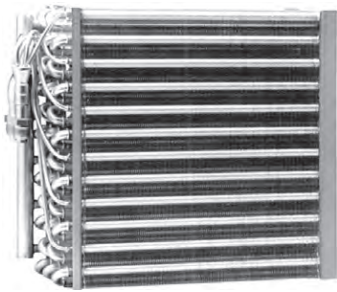
Used on Red Dot Unit Models R-10060-0, -1, -2, -3 Evaporator/Heat Combo
10" high x 15 1/2" long x 3 3/4" wide
Expansion Valve Not included



76R7700

RD-2-1470-0P

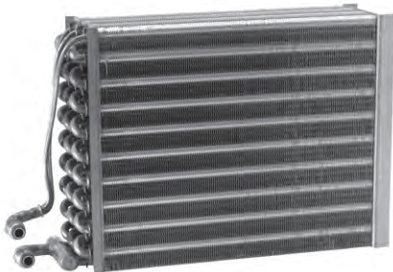
Used on Red Dot Unit Model R-4140
12" high x 11" long x 3 13/32" wide



76R7710

RD-2-3398-0P

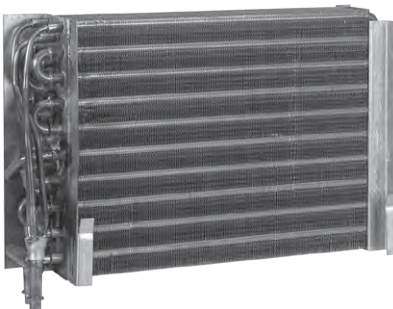
Used on Red Dot Unit Model R-2550
10" high x 12" long x 4" wide



76R7712

RD-5-14624-0P

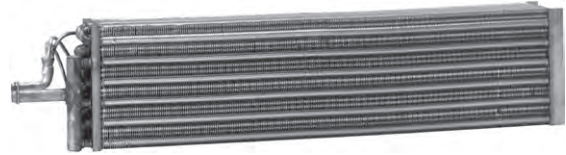
10" high x 12 3/4" long x 2 3/4" wide



76R7715

RD-2-2897-0P

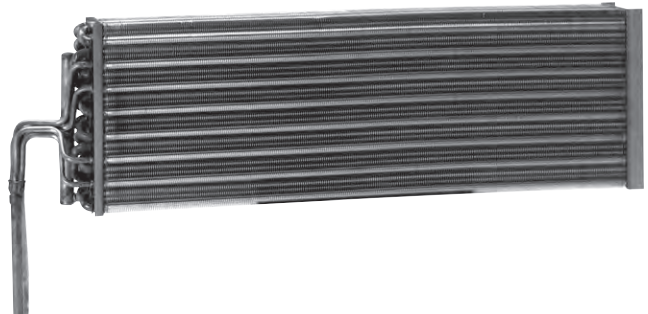
Used on Red Dot Unit Model R-9475
6 7/8" high x 23 1/2" long x 3 13/32" wide



76R7720

RD-2-3410-0P

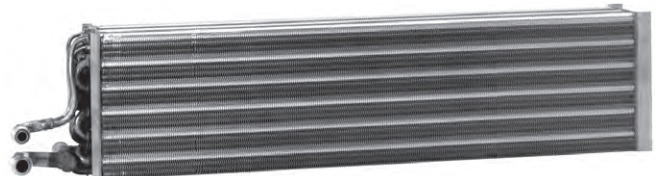
Used on Red Dot Unit Model R-9787
8 7/8" high x 23 7/16" long x 3 13/32" wide



76R7725

RD-2-3629-0P

Used on Red Dot Unit Model R-3960
6 7/8" high x 23 1/2" long x 3 13/32" wide

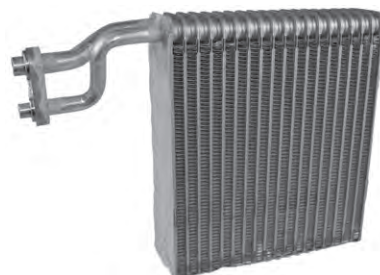


76R7735

RD-2-7284-0P

Used on Red Dot model R-6101
8 3/8" high x 8" long x 2 3/8" wide

Freightliner M2
2002-2010
OE#VCC50000031

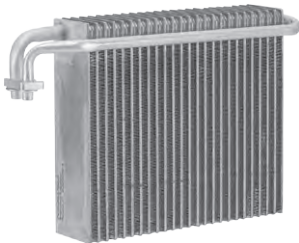


76R7750

RD-2-7298-0P

9 1/4" high x 10 1/4" long x 2 1/4" wide

OE#BOAN9383001



EVAPORATOR
COILS

LS = Limited to stock on hand

EXPANSION VALVES

EXTERNAL EQUALIZER

Part No.	Factory No.	Description	Inlet	Outlet	Nut	Equalizer Tube Length	Capillary Tube Length
71R8050	RD-4126-1P	External Equalizer	#6 (3/8") Male Flare	#8 (1/2") Male Flare	1/4" Female Flare	18"	18"
71R8080	RD-5-5862-0P	External Equalizer	#6 (3/8") Male O-Ring	#8 (1/2") Male O-Ring	1/4" Male O-Ring	10"	10"
71R8100	RD-5-3824-1P	External Equalizer	#6 (3/8") Male O-Ring	#8 (1/2") Male O-Ring	1/4" Female O-Ring	13"	13"

71R8050

RD-4126-1P

External Equalizer
Inlet: #6 (3/8") Male Flare
Outlet: #8 (1/2") Male Flare
 Equalizer Tube
Length: 18"
Nut: 1/4" Female Flare
Capillary Tube Length: 18"
Rating: 1 1/2 Ton



71R8100

RD-5-3824-1P

External Equalizer
Inlet: #6 (3/8") Male O-Ring
Outlet: #8 (1/2") Male O-Ring
 Equalizer Tube
Length: 13"
Nut: 1/4" Female O-Ring
Capillary Tube Length: 13"
Rating: 1 1/2 Ton



71R8080

RD-5-5862-0P

External Equalizer
Inlet: #6 (3/8") Male O-Ring
Outlet: #8 (1/2") Male O-Ring
 Equalizer Tube
Length: 10"
Nut: 1/4" Male O-Ring
Capillary Tube Length: 10"
Rating: 1 1/2 Ton



EXPANSION VALVES

INTERNAL EQUALIZER

Part No.	Factory No.	Description	Inlet	Outlet	Nut Length	Equalizer Tube Length	Capillary Tube Length
71R8060	RD-5-11033-0P	Internal Equalizer	#6 (3/8") Male O-Ring	#8 (1/2") Male O-Ring	—	—	12"
71R8090	RD-5-10734-0P	Internal Equalizer	M16 x 1.5	M18 x 1.5	—	—	16"
71R8210	RD-5-6099-0P	Internal Equalizer	#6 (3/8") Male Flare	#8 (1/2") Male Flare	—	—	9"
71R8220	RD-5-10445-0P	Internal Equalizer	#6 (3/8") Male O-Ring	#8 (1/2") Male O-Ring	—	—	12"

71R8060

RD-5-11033-0P

Internal Equalizer
Inlet: #6 (3/8") Male O-Ring
Outlet: #8 (1/2") Male O-Ring
Capillary Tube Length: 12"
Rating: 1 1/2 Ton



71R8210

RD-5-6099-0P

Internal Equalizer
Inlet: #6 (3/8") Male Flare
Outlet: #8 (1/2") Male Flare
Capillary Tube Length: 9"
Rating: 1 1/2 Ton



71R8090

RD-5-10734-0P

Internal Equalizer
Inlet: M16 x 1.5
Outlet: M20 x 1.5
 Capillary Tube
Length: 16"
Rating: 1 1/2 Ton



71R8220

RD-5-10445-0P

Internal Equalizer **LS**
Inlet: #6 (3/8") Male O-Ring
Outlet: #8 (1/2") Male O-Ring
Capillary Tube Length: 12"
Rating: 1 1/2 Ton



LS = Limited to stock on hand

EXPANSION VALVES

BULBLESS BLOCK TYPE

Part No.	Factory No.	Mounting	Hose Side In	Hose Side Out	Evaporator In	Evaporator Out	Rated Capacity (tonnage)	Superheat Rating	Pressure Limit*
71R8301	RD-5-6868-0P	Bulbless Block 1/4" mounting hole	#6 (3/8") Female Tube O-Ring	#10 (5/8") Female Tube O-Ring	#8 (1/2") Female Tube O-Ring	#8 (1/2") Female Tube O-Ring	1 1/2	5°F	80 psig @ 40°F
71R8310	RD-3-7822-0P	Bulbless Block 5/16"-18 threaded	#6 (3/8") Female Tube O-Ring	#10 (5/8") Female Tube O-Ring	#8 (1/2") Female Tube O-Ring	#8 (1/2") Female Tube O-Ring	1 1/2	5°F	80 psig @ 40°F
71R8321	RD-5-7015-0P	Bulbless Block 1/4" mounting hole	#6 (3/8") Female Tube O-Ring	#10 (5/8") Female Tube O-Ring	#8 (1/2") Female Tube O-Ring	#10 (5/8") Female Tube O-Ring	**	8°F	53.5 psig @ 75°F
71R8350	RD-5-10334-0P	Bulbless Block 5/16"-18 threaded	#6 (3/8") Female Tube O-Ring	#10 (5/8") Female Tube O-Ring	#8 (1/2") Female Tube O-Ring	#10 (5/8") Female Tube O-Ring	1 1/2	5°F	50 psig @ 75°F
71R8370	RD-5-7567-0P	Bulbless Block 1/4" mtg hole	#6 (3/8") Female Tube O-Ring	#10 (5/8") Female Tube O-Ring	#8 (1/2") Female Tube O-Ring	#10 (5/8") Female Tube O-Ring	1 1/2	5°F	80 psig @ 40°F
71R8380	RD-5-9513-0P	Bulbless Block 1/4" mtg hole	#6 (3/8") Female Tube O-Ring	#10 (5/8") Female Tube O-Ring	#8 (1/2") Female Tube O-Ring	#10 (5/8") Female Tube O-Ring	2 AT	8°F	53.5 psig @ 75°F
71R8385	RD-5-10546-0P	Bulbless Block	#6 (3/8") Female Tube O-Ring	#10 (5/8") Female Tube O-Ring	#8 (1/2") Female Tube O-Ring	#10 (5/8") Female Tube O-Ring	2 AT	5°F	53.5 psig @ 75°F
71R8400	RD-5-7155-0P	Bulbless Block 1/4" mounting hole	#6 (3/8") Female Tube O-Ring	#10 (5/8") Female Tube O-Ring	#8 (1/2") Female Tube O-Ring	#8 (1/2") Female Tube O-Ring	1 1/2 ††	5°F	50 psig @ 85°F
71R8405	RD-5-10447-0P	Bulbless Block M6 x 1.0-6H stud	#6 (3/8") Female Tube O-Ring	#10 (5/8") Female Tube O-Ring	#8 (1/2") Female Tube O-Ring	#8 (1/2") Female Tube O-Ring	1 1/2 †	8°F	53.5 psig @ 75°F
71R8415	RD-5-10306-0P	Bulbless Block M6 x 1.0-6H stud mtg	#6 Plate (Flange) Mount	#10 Plate (Flange) Mount	#8 Plate (Flange) Mount	#8 Plate (Flange) Mount	1 1/2 †††		
71R8420	RD-5-7179-0P	Bulbless Block M6 x 1.0-6H thread mtg	#6 Plate (Flange) Mount	#10 Plate (Flange) Mount	#8 Plate (Flange) Mount	#8 Plate (Flange) Mount	1 1/2	8.5°F	53.5 psig @ 90°F
71R8423	RD-5-8100-0P	Bulbless Block M6 x 1.0-6H thread mtg	#6 Plate (Flange) Mount	#12 Plate (Flange) Mount	#8 Plate (Flange) Mount	#10 Plate (Flange) Mount	2	5.5°F	53.5 psig @ 90°F
71R8425	RD-5-10902-0P	Bulbless Block M8 x 1.25-6H thread	#6 Mini Stat O Seal	#10 Mini Stat O Seal	#8 Mini Stat O Seal	#10 Mini Stat O Seal	1 1/2	12°F	50 psig @ 85°F
71R8430	RD-5-8936-0P	Bulbless Block M6 x 1.0-6H stud mtg	#6 Plate (Flange) Mount	#10 Plate (Flange) Mount	#8 Plate (Flange) Mount	#8 Plate (Flange) Mount	** †††	8.5°F	53.5 psig @ 90°F
71R8440	RD-5-10333-0P	Bulbless Block M6 x 1.0-6H thread mtg	#6 Plate (Flange) Mount	#12 Plate (Flange) Mount	#8 Plate (Flange) Mount	#10 Plate (Flange) Mount	1 1/2	5.5°F	65.7 psig @ 90°F
71R8450	RD-5-9935-0P	Bulbless Block 1/4" mounting holes	#6 (3/8") Female Tube O-Ring	#10 (5/8") Female Tube O-Ring	#8 (1/2") Female Tube O-Ring	#10 (5/8") Female Tube O-Ring	** †††	8°F	53.5 psig @ 75°F
71R8451	RD-5-10903-0P	Bulbless Block M8 x 1.25-6H thread mtg, OE# ABP N83 308231	#6 Stat O Seal	#10 Stat O Seal	#8 Stat O Seal	#10 Stat O Seal	1 1/2	Color: Gold 8.5°F	53.5 psig @ 90°F
71R8453	RD-5-12520-0P	Bulbless Block M8 x 1.25-6H thread mtg, OE# BOA 80-321-00-269	#6 Stat O Seal	#10 Stat O Seal	#8 Stat O Seal	#10 Stat O Seal	1 1/2	Color: Gold 12°F	53.5 psig @ 85°F
71R8455	RD-5-12521-0P	Bulbless Block M8 x 1.25-6H thread mtg, OE# BOA A4965	#6 Stat O Seal	#12 Stat O Seal	#8 Stat O Seal	#10 Stat O Seal	2		
71R8457	RD-5-9327-0P	Bulbless Block OE# BOA A93674	#6 Stat O Seal	#10 Stat O Seal	#8 Stat O Seal	#10 Stat O Seal	1 1/2	Color: Burgundy	
71R8459	RD-5-9327-0P	Bulbless Block 1/4" mounting hole	#6 (3/8") Female Tube O-Ring	#10 (5/8") Female Tube O-Ring	#8 (1/2") Female Tube O-Ring	#8 (1/2") Female Tube O-Ring	1 1/2	7°F	80 psig @ 85°F
71R8461	RD-5-14084-0P	Bulbless Block	#6 (3/8") Female Tube O-Ring	#10 Female Tube O-Ring	#8 (1/2") Female Tube O-Ring	#8 (1/2") Female Tube O-Ring	1 1/2	8°F	53.5 psig @ 80°F
71R8463	RD-5-14085-0P	Bulbless Block	#6 Plate (Flange) Mount	#12 Plate (Flange) Mount	#8 Plate (Flange) Mount	#10 Plate (Flange) Mount	1 1/2		
71R8460	RD-5-14086-0P	Bulbless Block	#6 (3/8") Female Tube O-Ring	#10 (5/8") Female Tube O-Ring	#8 (1/2") Female Tube O-Ring	#8 (1/2") Female Tube O-Ring	2	8.5°F	

* = Maximum Operating Press (± 8.5 psig) ** = 2 T, Hi-cap AT = Anti-trumpeting † = Schrader switch port †† = 1/16" Schrader switch port ††† = M12, M10 Schrader switch ports

EXPANSION VALVES

EXPANSION VALVES

BULBLESS BLOCK TYPE

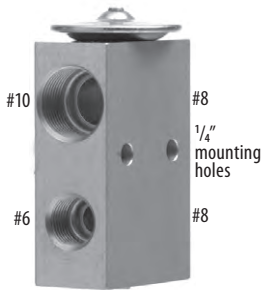
Part No.	Factory No.	Mounting	Hose Side In	Hose Side Out	Evaporator In	Evaporator Out	Rated Capacity (tonnage)	Superheat Rating	Pressure Limit*
71R8465	RD-5-14618-0P	Bulbless Block	#6 Plate (Flange) Mount	#10 Plate (Flange) Mount	#8 Plate (Flange) Mount	#10 Plate (Flange) Mount	1 1/2	7.5°F	
71R8467	RD-5-14619-0P	Bulbless Block	#6 Plate (Flange) Mount	#12 Plate (Flange) Mount	#8 Plate (Flange) Mount	#10 Plate (Flange) Mount	2	5°F	
71R8469	RD-5-10179-0P	Bulbless Block	#6 (3/8") Female Tube O-Ring	#10 (5/8") Female Tube O-Ring	#8 (1/2") Female Tube O-Ring	#10 (5/8") Female Tube O-Ring		5°F	
71R8476	RD-5-15073-0P	Bulbless Block	#8 (1/2) Stat-O-Seal	#12 (3/4) Stat-O-Seal	#8 (1/2) Stat-O-Seal	#12 (3/4) Stat-O-Seal	1.5	6.3 deg F	
71R8480	RD-5-15291-0P	Bulbless Block	#6 (3/8") Plate (Flange) Mount	#10 (5/8") Plate (Flange) Mount	#8 (1/2") Plate (Flange) Mount	#8 (1/2") Plate (Flange) Mount	2		
71R8481	RD-5-15292-0P	Bulbless Block	#8 (1/2") Plate (Flange) Mount	#10 (5/8") Plate (Flange) Mount	#8 (1/2") Plate (Flange) Mount	#10 (5/8") Plate (Flange) Mount	2	6.5	
71R8483	RD-5-16206-0P	Bulbless Block	#6 (3/8) Plate (Flange) Mount	#8 (1/2") Plate (Flange) Mount	#10 (5/8) Plate (Flange) Mount	#8 (1/2") Plate (Flange) Mount	2		†††
71R8485	RD-5-16214-0P	Bulbless Block	#8 (1/2") Stat-O-Seal	#8 (1/2") Stat-O-Seal	#10 (5/8") Stat-O-Seal	#12 (3/4") Stat-O-Seal	1		

* = Maximum Operating Press (± 8.5 psig) ** = 2 T, Hi-cap AT = Anti-trumpeting † = Schrader switch port †† = 3/16" Schrader switch port ††† = M12, M10 Schrader switch ports

EXPANSION VALVES

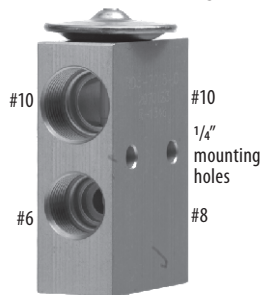
71R8301 RD-5-6868-0P

Inlet: #6 (3/8") Female O-Ring
Outlet: #10 (5/8") Female O-Ring
Evaporator Fittings
In: #8 (1/2") Female O-Ring
Out: #8 (1/2") Female O-Ring
Superheat Rating: 5°F
Pressure Limit: 80 psig @40°F



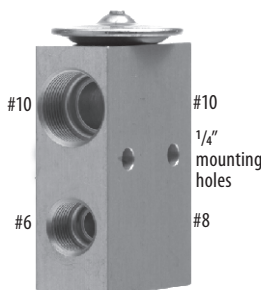
71R8321 RD-5-7015-0P

High Capacity (2 Ton)
Inlet: #6 (3/8") Female "O" Ring
Outlet: #10 (5/8") Female O-Ring
Evaporator Fittings
In: #8 (1/2") Female O-Ring
Out: #10 (5/8") Female O-Ring
Superheat Rating: 8°F
Pressure Limit: 53.5 psig @75°F



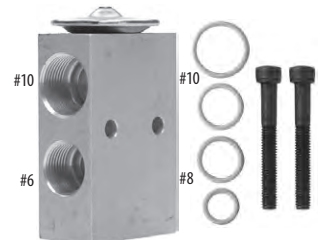
71R8370 RD-5-7567-0P

Inlet: #6 (3/8") Female O-Ring
Outlet: #10 (5/8") Female O-Ring
Evaporator Fittings
In: #8 (1/2") Female O-Ring
Out: #10 (5/8") Female O-Ring
Superheat Rating: 5°F
Pressure Limit: 80 psig @40°F



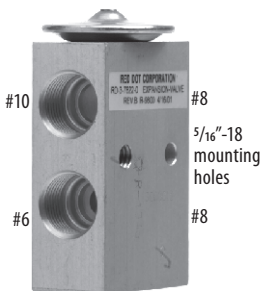
71R8385 RD-5-10546-0P

Anti-trumpeting (2 Ton)
Inlet: #6 (3/8") Female O-Ring
Outlet: #10 (5/8") Female O-Ring
Evaporator Fittings
In: #8 (1/2") Female O-Ring
Out: #10 (5/8") Female O-Ring
Superheat Rating: 5°F
Pressure Limit: 53.5 psig @75°F



71R8310 RD-3-7822-0P

With Threaded Mounting Holes
Inlet: #6 (3/8") Female O-Ring
Outlet: #10 (5/8") Female O-Ring
Evaporator Fittings
In: #8 (1/2") Female O-Ring
Out: #8 (1/2") Female O-Ring
Superheat Rating: 5°F
Pressure Limit: 80 psig @40°F



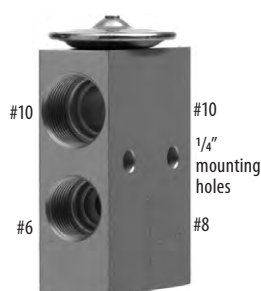
71R8350 RD-5-10334-0P

Inlet: #6 (3/8") Female O-Ring
Outlet: #10 (5/8") Female O-Ring
Evaporator Fittings
In: #8 (1/2") Female O-Ring
Out: #10 (5/8") Female O-Ring
Superheat Rating: 5°F
Pressure Limit: 50 psig @75°F



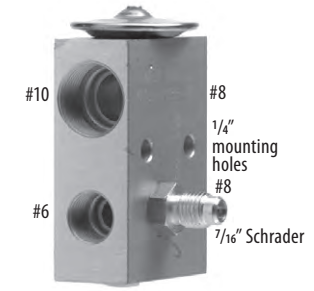
71R8380 RD-5-9513-0P

Anti-trumpeting (2 Ton)
Inlet: #6 (3/8") Female O-Ring
Outlet: #10 (5/8") Female O-Ring
Evaporator Fittings
In: #8 (1/2") Female O-Ring
Out: #10 (5/8") Female O-Ring
Superheat Rating: 8°F
Pressure Limit: 53.5 psig @75°F



71R8400 RD-5-7155-0P

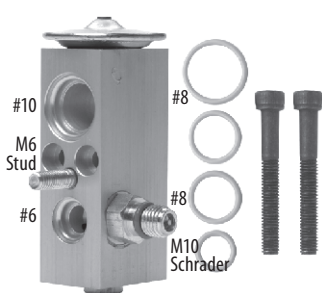
With 7/16" Schrader Port
Inlet: #6 (3/8") Female O-Ring
Outlet: #10 (5/8") Female O-Ring
Evaporator Fittings
In: #8 (1/2") Female O-Ring
Out: #8 (1/2") Female O-Ring
Superheat Rating: 5°F
Pressure Limit: 50 psig @85°F



BULBLESS BLOCK-TYPE

71R8405 RD-5-10447-0P

With Schrader Port
Inlet: #6 (3/8") Female O-Ring
Outlet: #10 (5/8") Female O-Ring
Evaporator Fittings
In: #8 (1/2") Female O-Ring
Out: #8 (1/2") Female O-Ring
Superheat Rating: 8°F
Pressure Limit: 53.5 psig @75°F



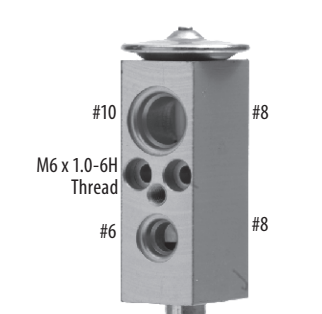
71R8415 RD-5-10306-0P

With M12, M10 Schrader Port
Inlet: #6 Plate (Flange) Mount
Outlet: #10 Plate (Flange) Mount
Evaporator Fittings
In: #8 Plate (Flange) Mount
Out: #8 Plate (Flange) Mount
Superheat Rating: N/A
Pressure Limit: N/A



71R8420 RD-5-7179-0P

Inlet: #6 Plate (Flange) Mount
Outlet: #10 Plate (Flange) Mount
Evaporator Fittings
In: #8 Plate (Flange) Mount
Out: #8 Plate (Flange) Mount
Superheat Rating: 8.5°F
Pressure Limit: 53.5 psig @90°F



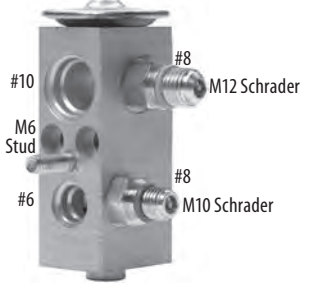
71R8423 RD-5-8100-0P

(2 Ton)
Inlet: #6 (3/8") Plate (Flange) Mount
Outlet: #12 (3/4") Plate (Flange) Mount
Evaporator Fittings
In: #8 (1/2") Plate (Flange) Mount
Out: #10 (5/8") Plate (Flange) Mount
Superheat Rating: 5.5°F
Pressure Limit: 53.3 psig @90°F



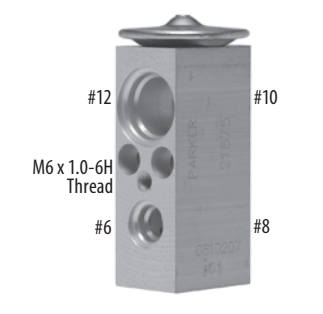
71R8430 RD-5-8936-0P

With Schrader Port (2-ton HiCap)
Inlet: #6 (3/8") Plate (Flange) Mount
Outlet: #10 (5/8") Plate (Flange) Mount
Evaporator Fittings
In: #8 (1/2") Plate (Flange) Mount
Out: #8 (1/2") Plate (Flange) Mount
Superheat Rating: 8.5°F
Pressure Limit: 53.5 psig @90°F



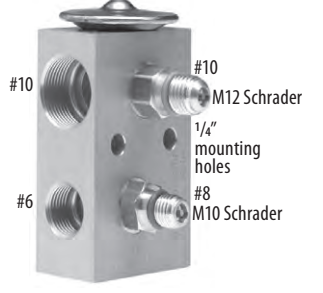
71R8440 RD-5-10333-0P

Inlet: #6 (3/8") Plate (Flange) Mount
Outlet: #12 (3/4") Plate (Flange) Mount
Evaporator Fittings
In: #8 (1/2") Plate (Flange) Mount
Out: #10 (5/8") Plate (Flange) Mount
Superheat Rating: 5.5°F
Pressure Limit: 65.7 psig @90°F



71R8450 RD-5-9935-0P

With Schrader Port (2-ton HiCap)
Inlet: #6 (3/8") Female O-Ring
Outlet: #10 (5/8") Female O-Ring
Evaporator Fittings
In: #8 (1/2") Female O-Ring
Out: #10 (5/8") Female O-Ring
Superheat Rating: 8°F
Pressure Limit: 53.5 psig @75°F



71R8451 RD-5-10903-0P

Inlet: #6 (3/8") Stat-O-Seal
Outlet: #10 (5/8") Stat-O-Seal
Evaporator Fittings
In: #8 (1/2") Stat-O-Seal
Out: #10 (5/8") Stat-O-Seal
Replaces: OE# APB N83 308231
Superheat Rating: 8.5°F
Pressure Limit: 53.5 psig @90°F



71R8453 RD-5-12520-0P

Inlet: #6 (3/8") Stat-O-Seal
Outlet: #10 (5/8") Stat-O-Seal
Evaporator Fittings
In: #8 (1/2") Stat-O-Seal
Out: #10 (5/8") Stat-O-Seal
Replaces: OE# BOA 80-321-00-269
Superheat Rating: 12°F
Pressure Limit: 50 psig @85°F



71R8455 RD-5-12521-0P

2-Ton
Inlet: #6 (3/8") Stat-O-Seal
Outlet: #12 (3/4") Stat-O-Seal
Evaporator Fittings
In: #8 (1/2") Stat-O-Seal
Out: #10 (5/8") Stat-O-Seal
Replaces: Main Unit Freightliner Egelhof #327302, Behr #A4965



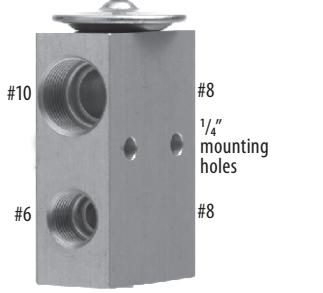
71R8457 RD-5-12522-0P

Inlet: #6 (3/8") Stat-O-Seal
Outlet: #10 (5/8") Stat-O-Seal
Evaporator Fittings
In: #8 (1/2") Stat-O-Seal
Out: #10 (5/8") Stat-O-Seal
Replaces: Freightliner Century Class Aux sleeper BOA A93674
Color: Burgundy



71R8459 RD-5-9327-0P

Orion Bus Models, OE#G1310514BH
Inlet: #6 (3/8") Female O-Ring
Outlet: #10 (5/8") Female O-Ring
Evaporator Fittings
In: #8 (1/2") Female O-Ring
Out: #8 (1/2") Female O-Ring
Superheat Rating: 7°F
Pressure Limit: 80 psig @85°F



EXPANSION VALVES

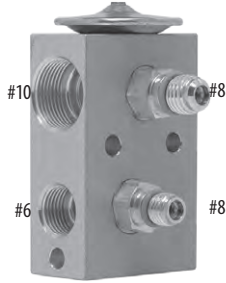
EXPANSION VALVES

BULBLESS BLOCK-TYPE

EXPANSION VALVES

71R8460 RD-5-14086-0P

2-Ton with Schrader Port
Inlet: #6 (3/8") Female O-Ring
Outlet: #10 (5/8") Female O-Ring
Evaporator Fittings
In: #8 (1/2") Female O-Ring
Out: #8 (1/2") Female O-Ring
Superheat Rating: 8.5°F
Pressure Limit: 53.5 psig @90°F



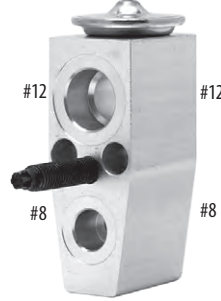
71R8465 RD-5-14618-0P

Inlet: #6 (3/8") Plate (Flange) Mount
Outlet: #10 (5/8") Plate (Flange) Mount
Evaporator Fittings
In: #8 (1/2") Plate (Flange) Mount
Out: #10 (5/8") Plate (Flange) Mount
Superheat Rating: 7.5°F
Pressure Limit: 80 psig @53.5°F



71R8475 RD-5-15296-0P

2-ton
Inlet: #8 (1/2") Stat-O-Seal
Outlet: #12 (3/4") Stat-O-Seal
Evaporator Fittings
In: #8 (1/2") Stat-O-Seal
Out: #12 (3/4") Stat-O-Seal
Superheat Rating: 4.5°F



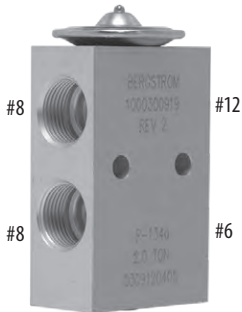
71R8481 RD-5-15292-0P

2-ton
Inlet: #8 (1/2") Plate (Flange) Mount
Outlet: #10 (5/8") Plate (Flange) Mount
Evaporator Fittings
In: #8 (1/2") Plate (Flange) Mount
Out: #10 (5/8") Plate (Flange) Mount
Superheat Rating: 6.5°F



71R8461 RD-5-14084-0P

Inlet: #6 (3/8") Female O-Ring
Outlet: #10 (5/8") Female O-Ring
Evaporator Fittings
In: #8 (1/2") Female O-Ring
Out: #8 (1/2") Female O-Ring
Superheat Rating: 8°F



71R8467 RD-5-14619-0P

2-Ton
Inlet: #6 (3/8") Plate (Flange) Mount
Outlet: #12 (5/8") Plate (Flange) Mount
Evaporator Fittings
In: #8 (1/2") Plate (Flange) Mount
Out: #10 (5/8") Plate (Flange) Mount
Superheat Rating: 5°F
Pressure Limit: 80 psig @53.5°F



71R8477 RD-5-15295-0P

Inlet: #8 (3/8") Stat-O-Seal
Outlet: #12 (3/4") Stat-O-Seal
Evaporator Fittings
In: #8 (1/2") Stat-O-Seal
Out: #10 (5/8") Stat-O-Seal



71R8482 RD-5-11921-0P

Inlet: #6 (3/8") Female O-Ring
Outlet: #10 (5/8") Female O-Ring
Evaporator Fittings
In: #8 (1/2") Female O-Ring
Out: #8 (1/2") Female O-Ring



71R8463 RD-5-14085-0P

Inlet: #6 (3/8") Plate (Flange) Mount
Outlet: #12 (5/8") Plate (Flange) Mount
Evaporator Fittings
In: #8 (1/2") Plate (Flange) Mount
Out: #8 (1/2") Plate (Flange) Mount



71R8469 RD-5-10179-0P

Inlet: #6 (3/8") Female O-Ring
Outlet: #12 (5/8") Female O-Ring
Evaporator Fittings
In: #8 (1/2") Female O-Ring
Out: #10 (5/8") Female O-Ring
Superheat Rating: 5°F
Pressure Limit: 80 psig @53.5°F



71R8480 RD-5-15291-0P

1.5-ton with M10 port & one switch port
Inlet: #6 (3/8") Plate (Flange) Mount
Outlet: #10 (5/8") Plate (Flange) Mount
Evaporator Fittings
In: #8 (1/2") Plate (Flange) Mount
Out: #8 (1/2") Plate (Flange) Mount
Superheat Rating: 12°F



71R8476 RD-5-15073-0P

1.5 Ton
Inlet: #8 (1/2") Stat-O-Seal
Outlet: #12 (3/4") Stat-O-Seal
Evaporator Fittings
In: #8 (1/2") Stat-O-Seal
Out: #12 (3/4") Stat-O-Seal
Superheat Rating: 6.3°F



Image Not Available

BULBLESS BLOCK-TYPE

71R8483 RD-5-16206-0P

With Schrader Port (2-ton HiCap)
Inlet: #6 ($\frac{3}{8}$ ") Plate (Flange) Mount
Outlet: #8 ($\frac{1}{2}$ ") Plate (Flange) Mount
Evaporator Fittings
In: #10 ($\frac{5}{8}$ ") Plate (Flange) Mount
Out: #8 ($\frac{1}{2}$ ") Plate (Flange) Mount

**71R8485 RD-5-16214-0P**

1 Ton
Inlet: #8 ($\frac{1}{2}$ ") Stat-O-Seal
Outlet: #8 ($\frac{1}{2}$ ") Stat-O-Seal
Evaporator Fittings
In: #10 ($\frac{5}{8}$ ") Stat-O-Seal
Out: #12 ($\frac{3}{4}$ ") Stat-O-Seal



Image Not Available

EXPANSION VALVES

BRACKETS FOR BULBLESS BLOCK-TYPE VALVES

71R8491

RD-5-7187-0P

Top Mounting Plate/Flange
For 3/8" x 5/8" opening for flange mount block expansion valve.



71R8497

RD-5-8994-0P

Bottom Mounting Plate/Flange
For 3/4" x 3/8" opening for 2-ton flange mount block expansion valve.



71R8945

RD-5-8993-0P

Top Mounting Plate/Flange
For 3/4" x 3/8" opening for 2-ton flange mount block expansion valve.



71R8493

RD-5-7267-0P

Bottom Mounting Plate/Flange
For 3/8" x 5/8" opening for flange mount block expansion valve.



71R8499

RD-5-7186-0P

Bottom Mounting Plate/Flange
For 1/2" x 1/2" opening for block-type expansion valve.



71R8991

RD-5-7188-0-35M

Allen Head Bracket Screw
M5 x 0.8" for expansion valve brackets on this page. Quantity: 25 per package



ORFICE TUBES

ORIFICE TUBES

71R8500

RD-5-4919-1P

White – GM CCOT OE#3033879, 3033919, IHC#1676822-C91
Length: 3.485", O.D.: .386", Orifice: .071"



71R8506

RD-5-10013-1P

Brown – Ford, OE#F39Z-19D990A, E69Z-19D990-B
Length: 3.46", O.D.: .429", Orifice: .047"



71R8501

RD-5-10012-0P

Black/White – GM CCOT, OE#3096068
Length: 3.55", O.D.: .386", Orifice: .071"



71R8507

RD-5-10757-0P

Purple – International/Navistar, OE#3548044C1, B0A8030500949
Length: 3.55", O.D.: .429", Orifice: .0605"



71R8503

RD-5-9807-1P

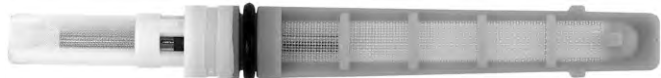
Blue – Ford CCOT Orifice Tube, OE#EOVY-19D 990A, E1FZ-19D 990-A,
Length: 3.46", O.D.: .425", Orifice: .067"



71R8508

RD-5-11886-0P

Yellow – International/Navistar, OE#3548044C1, B0A8030500949
Length: 3.55", O.D.: .429", Orifice: .0605"



71R8504

RD-5-10011-1P

Orange – Ford / Peterbilt, OE#E8TZ-19D990A, F2DZ-19D990A,
F5DZ-19D990AA, AB
Length: 3.46", O.D.: .429", Orifice: .057"



71R8509

RD-5-15714-0P

Black/White – Ford OE#XC4H19D990AA



71R8505

RD-5-9564-1P

Red – Ford / Peterbilt, OE#E69Z-19D990A, F4UZ-19D990A,
F54Z-19D990AB
Length: 3.46", O.D.: .425", Orifice: .062"

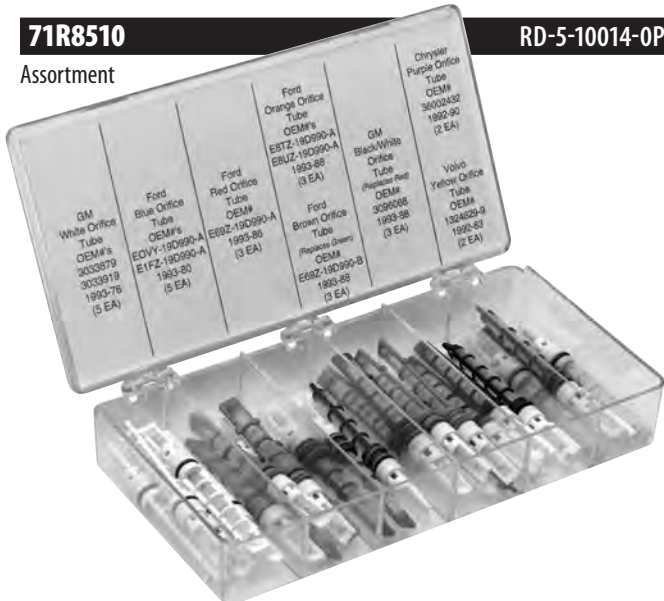


ORIFICE TUBES

71R8510

Assortment

RD-5-10014-0P



Contents: left to right:

- White - GM Orifice tube quantity: 5
- Blue - Ford Orifice tube quantity: 5
- Red - Ford Orifice tube quantity: 3
- Orange - Ford Orifice tube quantity: 3
- Brown - Ford Orifice tube quantity: 3
- Black/white - Ford OE#XC4H19D990AA Orifice tube quantity: 3
- Purple - Freightliner/IHC Orifice tube OE#36002432 quantity: 2
- Yellow - Volvo Orifice tube OE#1324829-9 quantity: 2

71R9300

Orifice Inlet Tube Repair Kit

RD-5-15723-0P



ORIFICE TUBES

REFRIGERANT SOLENOID VALVE

(Liquid Line)

#6 Male O-Ring Fitting

71R9002

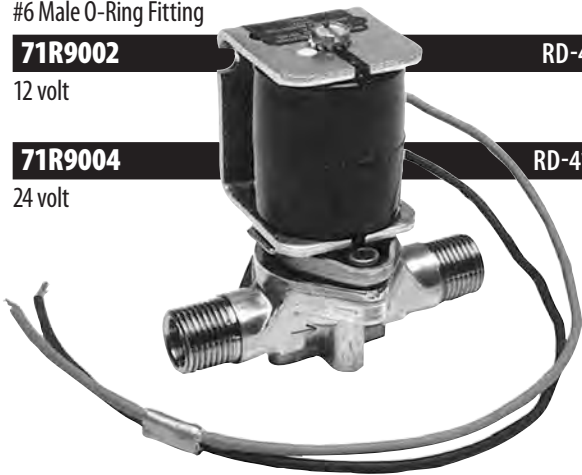
12 volt

RD-4188-0P

71R9004

24 volt

RD-4188-24P



AIR FILTERS

FRAME FILTERS

Listed in ascending order by **Width x Height x Thickness** — All filters sold in packs of two except where noted with *

Width	Height	Thickness	Red Dot Model Unit / Application	Red Dot Part No.	Factory No.
6"	4"	3/4"	R-10035 Fresh Air Filter	78R5290M	RD-5-7262-1P
6 7/16"	7 3/4"	3/4"	R-6830	78R5291M	RD-2-3683-1P
8 1/4"	8 1/2"	1"	Freightliner M2 (2003-2007) VCC36000006	78R5430	RD-5-11836-0P
9"	9"	5/8"	Thomas 8566-0439, IHC ZGG 720002	78R5236M	RD-5-10077-1P
10"	10"	3/4"	Freightliner, Mack CX/Vision, OE#7787-525784	78R5235*	RD-5-10593-0P
10 3/8"	3 3/4"	1"	R-6501, Cat Skid Steer B Series Tier II	78R5367M	RD-3-10847-1P
10 1/2"	10 1/2"	3/4"	Freightliner Century # 22-44665-000	78R5239M	RD-5-11224-1P
10 1/2"	10 1/2"	3/4"	Freightliner applications, OE#BOA 91559, FRO202P	78R5237M	RD-5-11841-1P
10 11/16"	4 7/16"	1/2"	R-1630, Takeuchi Mini Excavator	78R5355M	RD-3-10591-1P
11 13/32"	8 19/32"	1/4"	R-7830	78R5390*	RD-3-7099-0P
11 5/8"	5"	7/8"	R-5265, Western Star #60015-3418	78R5241	RD-3-8777-0P
11 27/32"	5 3/8"	7/8"	R-5260, Aluminum/Foam Mesh, Western Star #60015-3413 - Quantity: 2	78R5246	RD-3-8416-0P
12	11	3/4"		78R5305M	RD-5-14635-0P
12 1/2"	9 1/4"	1 1/8"	Volvo VN Series, OE#20435801, Pleated	78R5242M	RD-5-12354-1P
13 1/8"	5 1/4"	1 1/16"	R-9737, R-9757	78R5251*	RD-3-6407-0P
13 1/2"	4 9/16"	3/8"	R-6500	78R5250M	RD-5-10416-1P
13 3/4"	10 1/4"	3/4"	Kenworth/Peterbilt 525507 BSM	78R5420M	RD-5-10745-1P
14"	4 15/16"	7/8"	R-9777	78R5410M	RD-5-9077-1P
14"	12 3/4"	5/16"	Aluminum Mesh, Thomas Bus, OE#8566-0237	78R5244M	RD-5-10076-1P
15"	8"	1"	R-1620	78R5240*	RD-5-8582-0P
15 3/32"	5 13/16"	7/8"	R-1400	78R5247M	RD-5-10415-1P
15 5/16"	9 3/4"	1/2"	R-3800, Cat OE# 1707272. Recirculating Air Filter	78R5243*	RD-3-9805-0P
15 13/16"	4"	5/16"	R-8545, R-10015	78R5340*	RD-5-6240-0P
16 1/4"	10 5/32"	1/4"	R-7160 Heater, Thomas Bus	78R5353M	RD-5-10795-1P
16 1/4"	12 9/16"	1/4"	R-6140, Gillig Model 21-42075 Series	78R5363M	RD-5-9233-1P
16 1/2"	5"	1"	R-5200	78R5245M	RD-5-9130-1P
16 13/16"	4 3/4"	1/2"	R-6125, Orion Bus, OE#071310003, 071310011	78R5351M	RD-5-10041-1P
16 7/8"	10"	2 1/4"	R-5075 Intake Filter	78R5320M	RD-5-6124-1P
17"	3"	1/4"	R-8500, Recirculating Filter	78R5330M	RD-3-6162-1P
17"	4 1/2"	1/4"	Model R-6120-0, -1, -2, -10, -11. Gillig Model 21-43550, 21-55565 Series	78R5361M	RD-5-9234-1P
17 1/2"	5 1/2"	3/8"	R-5075, R-9500, R-9510, R-9520, R-10051	78R5360M	RD-5-8076-1P
17 1/2"	8"	1 1/32"	R-5045	78R5400M	RD-5-5428-1P
18 7/8"	4 13/16"	5/16"	R-9755, Timberjack Skidder	78R5350M	RD-5-6867-1P
20 1/4"	10 3/8"	1/4"	Aluminum Mesh, Thomas Bus	78R5249M	RD-5-10080-1P
20 3/4"	4 1/4"	1 7/8"	R-9750	78R5310M	RD-3-4804-1P
21"	9 1/4"	1/4"	Aluminum Mesh, Thomas Bus	78R5258M	RD-5-10074-1P
22 1/2"	10 1/4"	1/4"	Mesh Bus Filter, IHC ZGG 720005	78R5257M	RD-5-10081-1P
22 5/8"	5 7/8"	1 1/32"	R-7150, R-9485, R-9715	78R5253M	RD-1-0860-1P
23 1/2"	4"	5/8"	R-6145 Orion Bus, OE#071320008, 071320015	78R5309*	RD-5-10249-0P
23 1/2"	5"	5/16"	Aluminum Mesh, Thomas Bus	78R5252M	RD-5-10078-1P
28 1/2"	7 1/8"	1/4"	Thomas 8566-0237, IHC ZGG 720006	78R5256M	RD-5-10075-1P
28 1/2"	8 1/4"	5/16"	Aluminum Mesh, Thomas Bus	78R5254M	RD-5-10079-1P
30"	10 3/8"	3/8"	Mesh Bus Filter, IHC ZGG 720008	78R5255M	RD-5-10082-1P
			Navistar 25066562C		RD-5-12936-0P

FRAME FILTERS

78R5235*

RD-5-10593-0P

10" wide x 10" high x 1" thick

Freightliner Applications
Mack CX/Vision OE#7787-525784

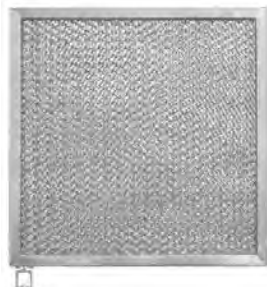


78R5236M

RD-5-10077-1P

9" x 9" x 5/8" thick

IHC/Navistar Models ZGG720002
Thomas 8566-0439

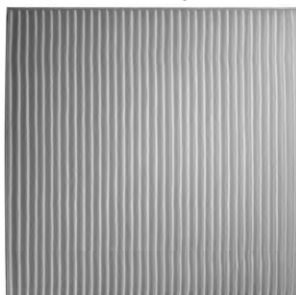


78R5237M

RD-5-11841-1P

10 1/2" wide x 10 1/2" high x 3/4" thick

Freightliner
OE# BOA 91559, FR0202P

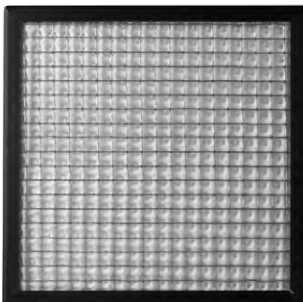


78R5239M

RD-5-11224-0P

10 1/2" wide x 10 1/2" high x 3/4" thick*

Freightliner Century
#22-44665-000,
22-4466-00,
FR9501P

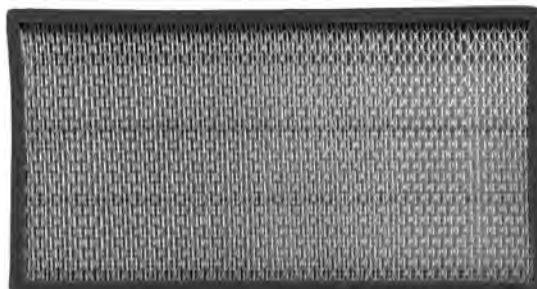


78R5240*

RD-5-8582-0P

15" wide x 8" high x 1" thick

For R-1620



78R5241

RD-3-8777-0P

11 5/8" wide x 5" high x 7/8" thick

For R-5265, Western Star #60015-3418

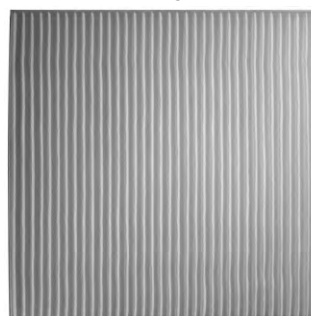


78R5242*

RD-5-12354-0P

12 1/2" wide x 9 1/4" high x 1 1/8" thick

Volvo VN Series OE#20435801
Pleated Fresh Air Filter

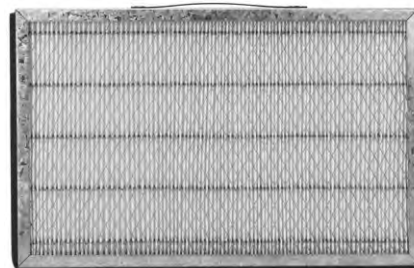


78R5243*

RD-3-9805-0P

15 5/16" wide x 9 3/4" high x 1/2" thick

For R-3800, Recirculating Air
Cat OE#1707272

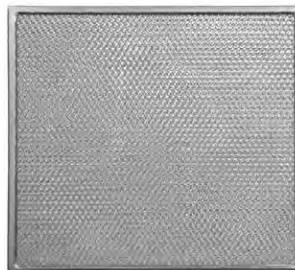


78R5244M

RD-5-10076-1P

14" x 12 3/4" x 5/16" thick

Thomas Bus 8566-0237



FILTERS

All filters sold in packs of two except where noted with *

AIR FILTERS

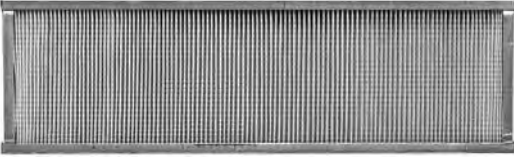
FRAME FILTERS

78R5245M

RD-5-9130-1P

16 1/2" wide x 5" high x 1" thick

For R-5200

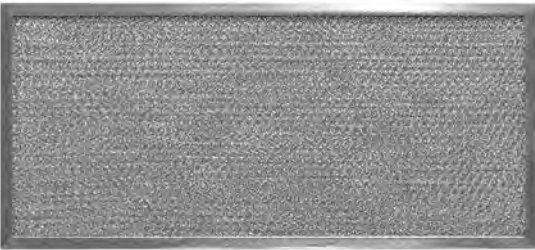


78R5246

RD-3-8416-0P

11 27/32" wide x 5 3/8" high x 7/8" thick
Package Quantity: 2

For R-5260
Western Star OE#60015-3413



78R5247M

RD-5-10415-1P

15 3/32" wide x 5 13/16" high x 7/8" thick

For R-1400

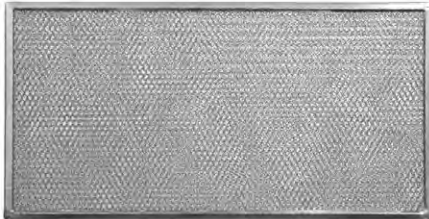


78R5249M

RD-5-10080-1P

20 1/4" x 10 3/8" x 1/4" thick

Thomas Bus Applications



78R5250

RD-5-10416-0P

13 1/2" wide x 4 5/16" high x 3/8" thick

For R-6500

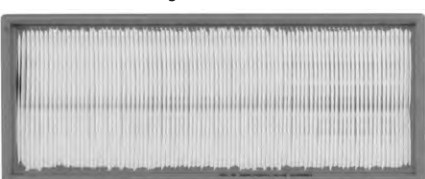


78R5251*

RD-3-6407-0P

13 1/8" wide x 5 1/4" high x 1 1/16" thick

For R-9737, R-9757



78R5252M

RD-5-10078-1P

23 1/2" x 5" x 5/16" thick

Thomas Bus Applications

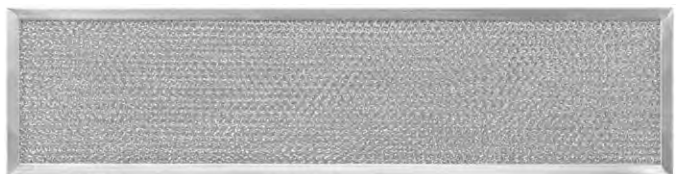


78R5253M

RD-1-0860-1P

22 5/8" wide x 5 7/8" high x 1 1/2" thick

For R-7150, R-9715, R-9845

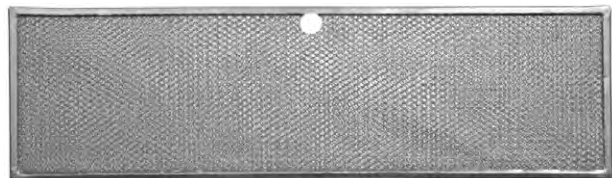


78R5254M

RD-5-10079-1P

28 1/2" x 8 1/4" x 5/16" thick

Thomas Bus Applications

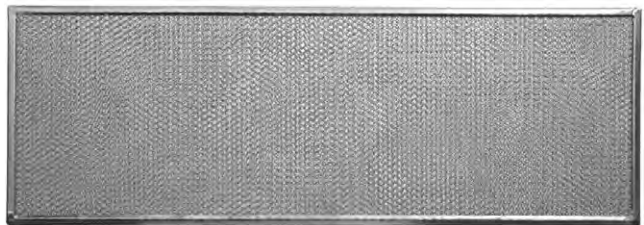


78R5255M

RD-5-10082-1P

30" x 10 3/8" x 3/8" thick

IHC/Navistar Models ZGG720008
Thomas Bus Applications



78R5256M

RD-5-10075-1P

28 1/2" x 7 1/8" x 1/4" thick

IHC/Navistar Models ZGG720006
Thomas Bus 8566-0237

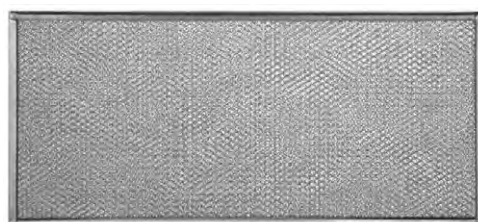


78R5257M

RD-5-10081-1P

22 1/2" x 10 1/4" x 1/4" thick

IHC/Navistar Models ZGG720005

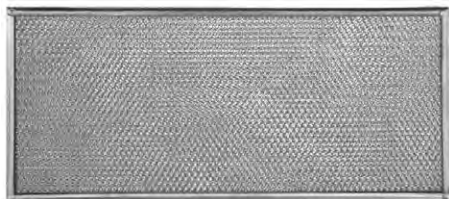


All filters sold in packs of two except where noted with *

FRAME FILTERS

78R5258M

21" x 9 1/4" x 1/4" thick

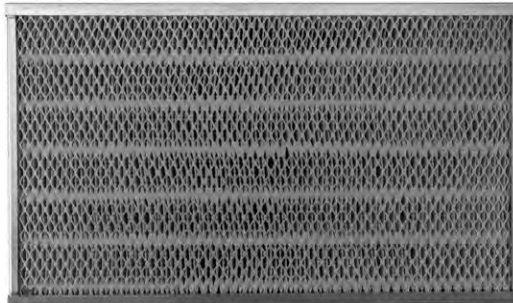


RD-5-10074-1P

Thomas Bus Applications

78R5320M

16 7/8" x 10" x 2 1/4"

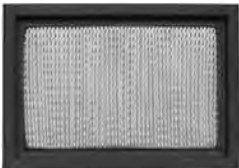


RD-5-6124-1P

R-5075 Intake Filter

78R5290

6" wide x 4" high x 3/4" thick



RD-5-7262-0P

R-10035, Fresh Air Filter

78R5330M

17" wide x 3" high x 1/4" thick



RD-3-6162-1P

For R-8500, Recirculating Filter

78R5291M

6 7/16" wide x 7 3/4" high x 3/4" thick with 1/8" foam



RD-2-3683-1P

For R-6830

78R5340*

15 13/16" wide x 4" high x 5/16" thick



RD-5-6240-0P

For R-8545, R-10015

78R5309*

23 1/2" x 4" x 5/8" thick



RD-5-10249-0P

Red Dot Model R-6145
Orion Bus Model 071320008, 071320015

78R5350

18 7/8" wide x 4 13/16" high x 5/16" thick



RD-5-6867-0P

For R-9755, Timberjack Skidder

78R5310M

20 3/4" wide x 4 1/4" high x 1 7/8" thick



RD-3-4804-1P

For R-9750

78R5351M

16 13/16" x 4 3/4" x 1/2" thick
Orion OE#071310003, 071310011



RD-5-10041-1P

Orion Model R-6125

78R5315M

14 1/2" wide x 5" high x 2 1/4" thick

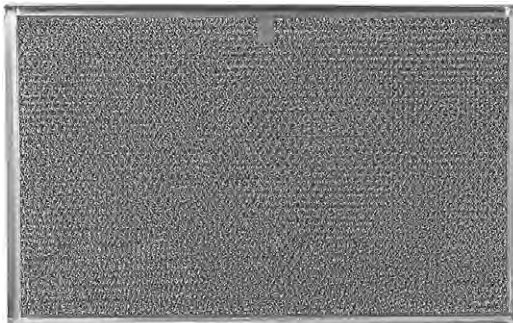


RD-5-8105-1P

For R-9450,
John Deere Backhoe Loader 710E

78R5353M

16 1/4" x 10 5/32" x 1/4" thick



RD-5-10795-1P

Red Dot Model R-7160, Thomas Bus Applications

All filters sold in packs of two except where noted with *

FILTERS

AIR FILTERS

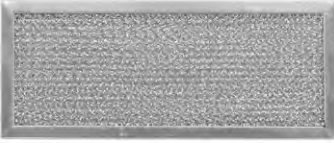
FRAME FILTERS

78R5355M

RD-3-10591-1P

10 1/16" wide x 4 7/16" high x 1/2" thick

For R-1630, Takeuchi Mini Excavator

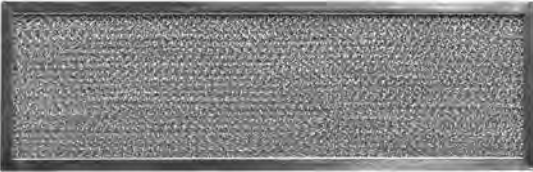


78R5360M

RD-5-8076-1P

17 1/2" wide x 5 1/2" high x 3/8" thick

For R-5075, R-9500, R-9510, R-9520, R-10051



78R5361M

RD-5-9234-1P

17" x 4 1/2" x 1/4" thick

For Model R-6120-0, -1, -2, -10, -11
Gillig Model 21-43550, 21-55565 Series

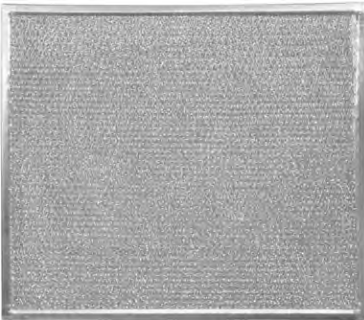


78R5363M

RD-5-9233-1P

16 1/4" x 12 5/16" x 1/4" thick

Gillig Model R-6140 Series 21-42075

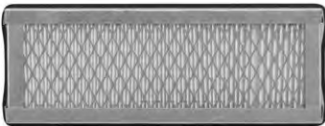


78R5367M

RD-3-10847-1P

10 3/8" wide x 3 3/4" high x 1" thick

For R-6501, Cat Skid Steer B series Tier II

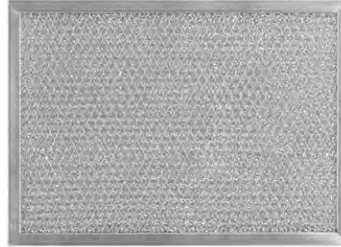


78R5380M

RD-5-8079-1P

10 7/8" wide x 7 5/8" high x 1 1/2" thick

For R-1550 Recirculating Filter

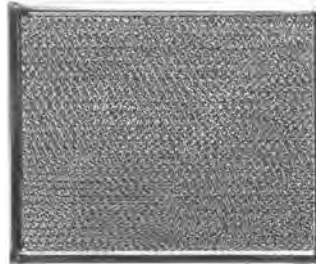


78R5390*

RD-3-7099-0P

11 1 3/2" wide x 8 1 3/2" high x 1/4" thick

For R-7830 Recirculating Air Filter

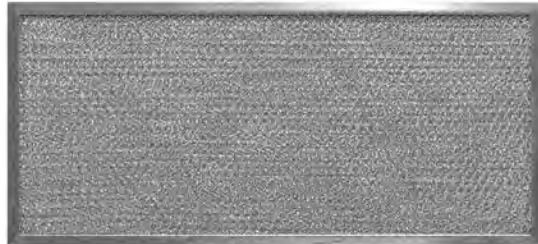


78R5400M

RD-5-5428-0P

17 1/2" wide x 8" high x 1 1/2" thick

For R-5045



78R5410M

RD-5-9077-1P

14" wide x 4 1 5/16" high x 7/8" thick

For R-9777



78R5420M

RD-5-10745-1P

13 3/4" wide x 10 1/4" high x 3/4" thick

Kenworth/Peterbilt
OE#525507 BSM



FILTERS

All filters sold in packs of two except where noted with *

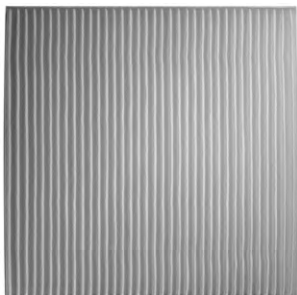
FRAME FILTERS

78R5430

RD-5-11836-0P

8 1/4" wide x 8 1/2" high x 1" thick

Freightliner M2 Business Class
(2003-07) OE#VCC36000006



78R5435

RD-5-12936-0P

12 1/2" wide x 7 1/2" high x 1" thick

Navistar #25066562C2



78R5440

RD-5-15282-0P

12 1/2" wide x 6" high x 1 1/4" thick

Navistar #3839141C1

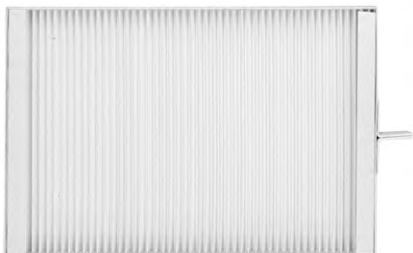


78R5450

RD-5-14695-0P

11 1/4" wide x 6" high x 1 1/4" thick

OE#5X000180
5X000190



78R5455

RD-5-14693-0P

12 1/2" wide x 9" high x 1/2" thick

OE#5X013817



78R5259M

RD-3-6406-1P

12 1/2" wide x 4 1/2" high x 3/8" thick



78R5460

RD-5-14694-0P

10 3/4" wide x 8" high x 3/4" thick

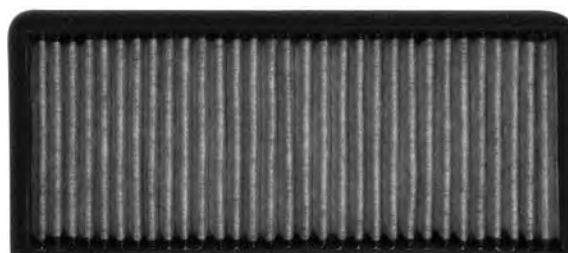
OE#5X010007



78R5465

RD-3-8821-0P

12 1/2" wide x 4 1/2" high x 3/8" thick



78R5470M

RD-3-9158-2P

9" wide x 8" high x 3/8" thick

FILTERS

AIR FILTERS

CANISTER FILTERS

Listed in ascending order by **Width x Height x Thickness**

Length	Diameter	Thickness	Red Dot Model Unit / Application	Red Dot Part No.	Factory No.
CANNISTER FILTERS					
10 1/4"	8 1/4"	—	Filter for 78R5100, 78R5110 Horizontal Mount Kit - Booster Pressurizer	78R5210	RD-5-5432-0P
12 1/2"	6 1/4"	—	Filter for 78R5000 Backpack	78R5200	RD-5-5431-0P

78R5200

RD-5-5431-0P

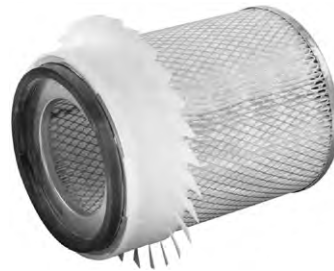
12 1/2" Long x 6 1/4" Diameter
 For R-9727, R-9777, R-9800
 Filter for 78R5000 Backpack Mount Kit - Booster Pressurizer



78R5210

RD-5-5432-0P

10 1/4" Long x 8 1/4" Diameter
 For R-9727, R-9777, R-9800 (Remote Mount)
 Filter for 78R5100 & 78R5110 Horizontal Mount Kit - Booster Pressurizer




UNFRAMED FILTERS

Listed in ascending order by **Width x Height x Thickness** — All filters sold in packs of two (* except where noted)

Width	Height	Thickness	Red Dot Model Unit / Application	Red Dot Part No.	Factory No.
UNFRAMED FILTERS					
10 3/8"	3 1/4"	3/8"	R-6501, Cat Skid Steer B Series Tier II	78R5313M	RD-5-10687-1P
10 1/2"	9 3/4"	3/4"	IHC-Navistar 481813C1	78R5302M	RD-5-10774-1P
10 7/8"	2 3/4"	5/8"	R-6000, R-6100, R-9727	78R5300*	RD-5-5937-0P
13 1/2"	13"	1"	IHC-Navistar ZGG14263, ZGG720007	78R5306M	RD-5-10773-1P
13 5/8"	10"	3/4"	IHC-Navistar 1699956C1	78R5308M	RD-5-10775-1P
14 3/4"	3 1/2"	1/2"	R-9450, Foam element. John Deere Backhoe, Loader 310E, 410E, 510E, 710E	78R5375M	RD-5-8106-1P
15"	11"	3/4"		78R5304M	RD-5-10776-1P
16 5/16"	5 3/4"	1/2"	R-2820, Takeuchi Excavator, Timberjack Feller Buncher	78R5301M	RD-3-10331-1P
24"	4 7/8"	1"	R-9757	78R5370*	RD-3-6408-10

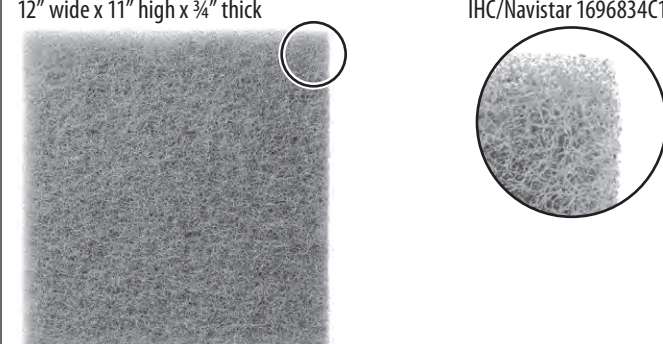
78R5300* **RD-5-5937-0P**

10 7/8" wide x 2 3/4" high x 5/8" thick
For Models R-6000, R-6100, R-9727




78R5305 **RD-5-15366-0P**

12" wide x 11" high x 3/4" thick
IHC/Navistar 1696834C1



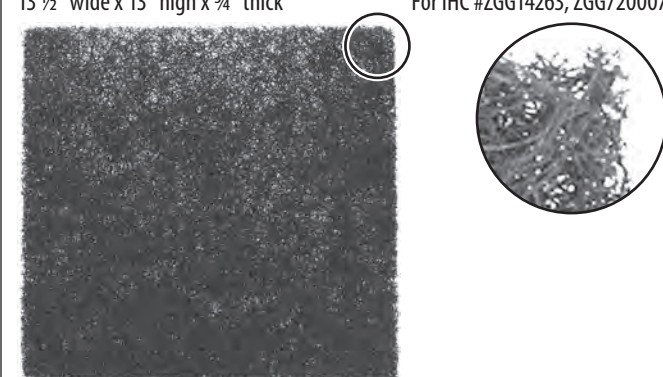
78R5301M **RD-3-10331-1P**

16 5/16" wide x 5 3/4" high x 1/2" thick
For R-2820 Takeuchi Excavator, Timberjack Feller Buncher



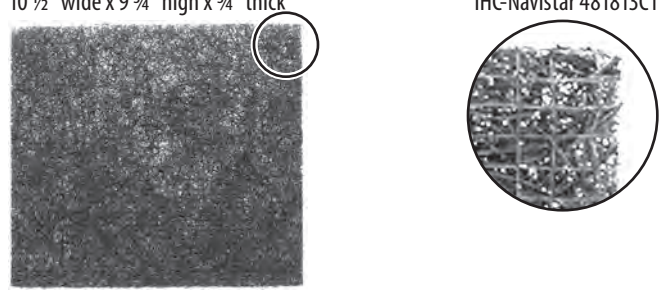
78R5306M **RD-5-10773-1P**

13 1/2" wide x 13" high x 3/4" thick
For IHC #ZGG14263, ZGG720007



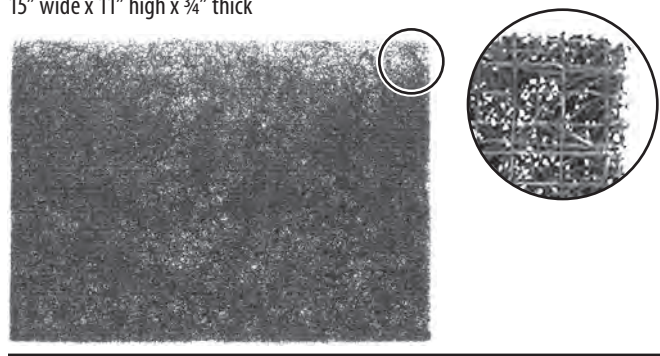
78R5302M **RD-5-10774-1P**

10 1/2" wide x 9 3/4" high x 3/4" thick
IHC-Navistar 481813C1



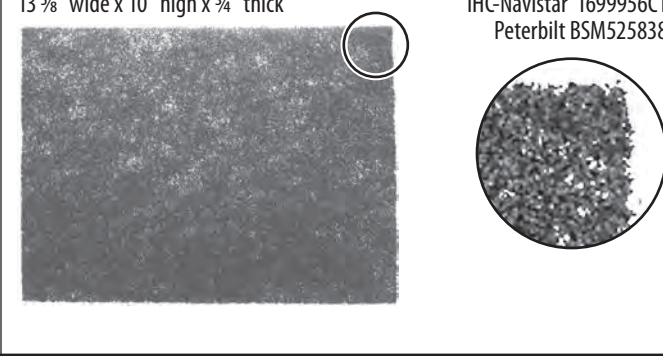
78R5304M **RD-5-10776-1P**

15" wide x 11" high x 3/4" thick



78R5308M **RD-5-10775-1P**

13 5/8" wide x 10" high x 3/4" thick
IHC-Navistar 1699956C1
Peterbilt BSM525838



FILTERS

AIR FILTERS

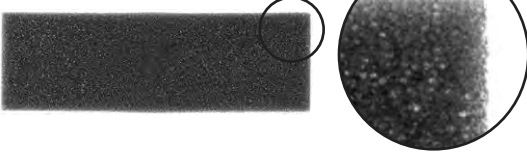
UNFRAMED FILTERS

78R5313M

10 3/8" wide x 3 1/4" high x 3/8" thick

RD-5-10687-1P

For Cat Skid Steer B
Series Tier II

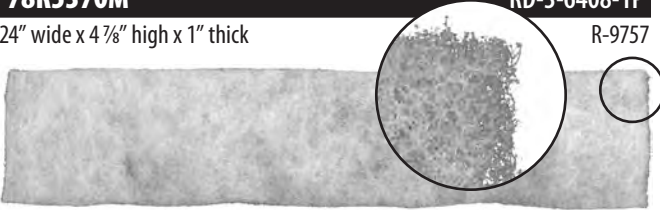


78R5370M

24" wide x 4 7/8" high x 1" thick

RD-3-6408-1P

R-9757

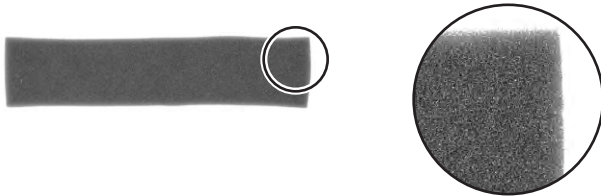


78R5375M

14 3/4" wide x 3 1/2" high x 1/2" thick

RD-5-8106-1P

R-9450 Recirc Air Filter
John Deere Backhoe/Loader 310E, 410E, 510E, 710E

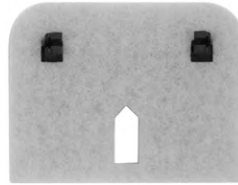


78R5385M

5 3/4" wide x 4 1/2" high x 3/8" thick

RD-5-15285-0P

Evaporator Filter
Sterling F6H2-19N619BA
1998-2010



FILTERS

All filters sold in packs of two

BOOSTER PRESSURIZERS, FILTER SYSTEMS, FILTER KITS AND PARTS

ENGINEAIRE

78R5120

RD-5-15299-0P

Pressurizer Pump
Use with a downstream filter
12/24v



78R5125

RD-5-15300-0P

Precleaner and pressurizer pump
Use with a downstream filter
12/24v



78R5130

RD-5-15301-0P

Precleaner, filter and pressurizer pump
12/24v



78R5155

RD-5-15546-0P

Precleaner, charcoal filter and pressurizer pump
12/24v



78R5165

RD-5-15570-0P

Precleaner, HEPA filter and pressurizer pump
12/24v



78R5170

RD-5-15327-0P

Model EL
12/24v



FILTERS

ENGINEAIRE ACCESSORIES

78R5135 RD-5-15302-0P

Flanged air inlet



78R5140 RD-5-15303-0P

Filter



78R5145 RD-5-15304-0P

HEPA filter



78R5160 RD-5-15547-0P

Charcoal filter



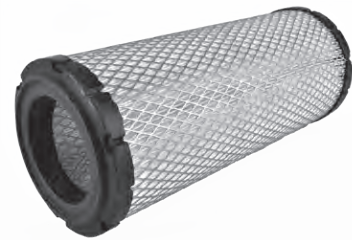
78R5180 RD-5-15334-0P

VLR Retro Kit (fits Donaldson 8")



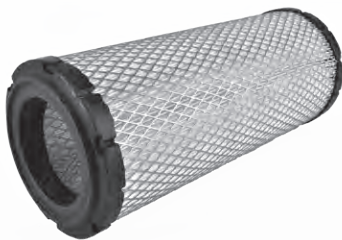
78R5172 RD-5-15350-0P

Model EL Filter



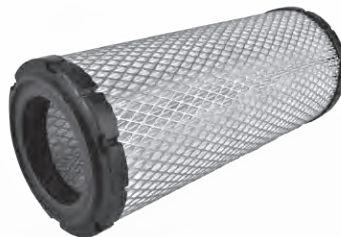
78R5173 RD-5-15350-1P

Model EL Charcoal Filter



78R5174 RD-5-15350-2P

Model EL HEPA Filter



FILTERS

REMOTE MOUNT FILTERS REPLACEMENT SERVICE PARTS

BACKPACK MOUNT

9" Dia x 16" long
(228mm x 464mm)



78R5000 RD-5-3905-0P

Filter Kit

78R5200 RD-5-5431-0P

Replacement Filter - 12 1/2" long x 6 1/4" diameter



78R5003 RD-5-4288-0P

Hood Inlet



78R5007 RD-5-4289-0P

Mounting Band



78R5500 RD-5-6427-1P

90° Rubber Elbow



72R4531 RD-3-4812-2P

Air Outlet Adapter For Pressurization
For 3" Hose to square plate



HORIZONTAL MOUNT

10 1/4" Dia x 18" long
(260mm x 457mm)

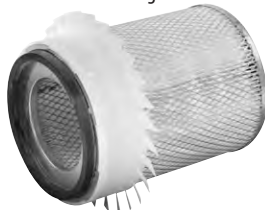


78R5100 RD-5-5147-0P

Replacement Filter Kit – Fits models including
R-8545, R-9727, R-9757, R-9777, R-9800

78R5210 RD-5-5432-0P

Replacement Filter - 10 1/4" long x 8 1/4" diameter



78R5005 RD-5-5151-0P

4" Hood Inlet



78R5008 RD-5-12975-0P

Air Filter Duck Bill (3" diameter)



78R5006 RD-5-5150-0P

10" Band Assembly



72R4531 RD-3-4812-2P

Air Outlet Adapter For Pressurization
For 3" Hose to square plate



VERTICAL MOUNT

10 1/4" Dia x 23 3/4" long
(260mm x 503mm)



78R5110 RD-5-5147-1P

Replacement Filter Kit – Fits models including
R-8545, R-9727, R-9757, R-9777, R-9800

78R5210 RD-5-5432-0P

Replacement Filter 10 1/4" long x 8 1/4" diameter



78R5004 RD-5-5152-0P

3 3/4" Hood Inlet



78R5006 RD-5-5150-0P

10" Band Assembly



72R4531 RD-3-4812-2P

Air Outlet Adapter For Pressurization
For 3" Hose to square plate



FILTERS

BOOSTER PRESSURIZERS, FILTER SYSTEMS, FILTER KITS AND PARTS

BOOSTER PRESSURIZERS

Booster Pressurizers can only be used with Remote Mount Filters

PRESSURIZER SPECIFICATIONS

AIR FLOW	140 CFM (238m ³ /h) with filter; 230 CFM (391m ³ /h) free flow
WEIGHT	7 lbs. (3 kg)
MOTOR/FAN	One 12 VDC, single speed (24 VDC available)
CURRENT DRAW	10.2 amps @ 13.6 VDC 6 amps @ 27.2 VDC
DIMENSIONS	4" inlet 3" outlet
UNITS	73R9202 RD-5-4296-0P (12 VDC) 73R9204 RD-5-4296-1P (24 VDC) Pressure Inlet Cap RD-5-6423-0P



NOTE Attaching directly to the 78R5100 and 78R5110 remote mount filters (previous page)
The Booster Blower forces dust-free air into the cab through our heater and air conditioner units.

72R4531

RD-3-4812-2P

Air Outlet Adapter For Pressurization
For 3" Hose to square plate



GUIDE TO FITTINGS

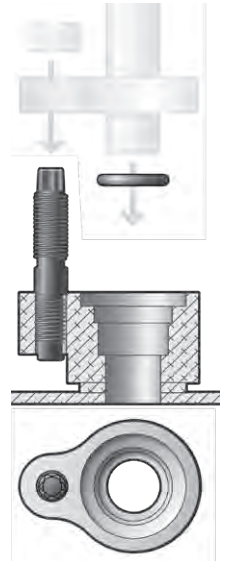
Circulating the refrigerant in an air conditioning system is more complex than the plumbing required for a heater. Circulating heated antifreeze and water only stresses the hoses and their connectors with around 15 psi. A fully charged and properly maintained a/c system sustains a much higher load. When the system is off it's in the neighborhood of 65-125 psi, when in use you'll see around 275 psi on the high-side and 35-40 psi on the low side. For that reason, greater care must be taken whenever work-

ing on an air conditioning system.

Recent environmental concerns have resulted in more stringent standards for connecting air conditioning hoses for vehicles and heavy equipment. This is particularly true for systems using R-134a refrigerant. R-134a is more likely to permeate or leak than the now retired R-12 refrigerant. Because of this it is very important to match the fitting with the correct hose. On the following pages you will find Red Dot recommendations for

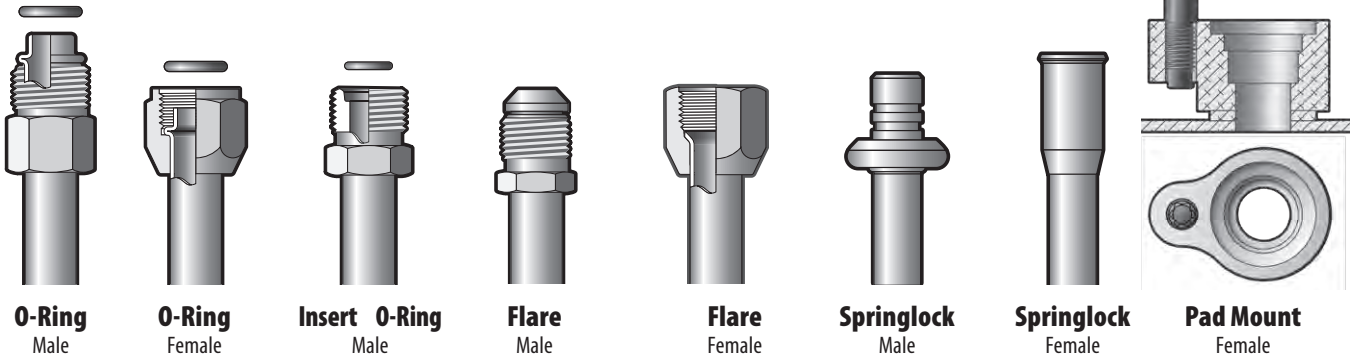
the correct hose/fitting combinations.

R-12 refrigerant was banned for manufacture in the United States on January 1, 1996. However, maintenance shops still find they need to support older systems. Any fitting that is suitable for R-134a will also work for older systems needing repair that use R-12.

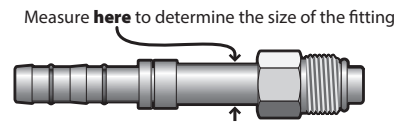
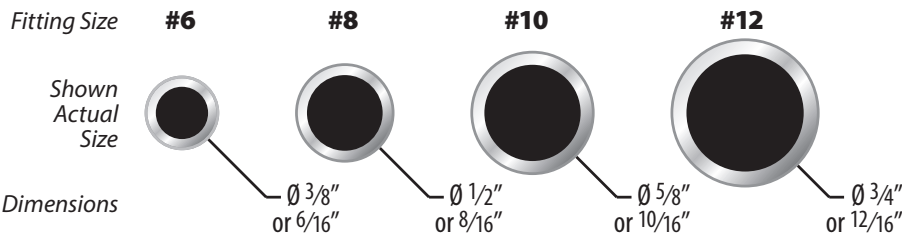


Fitting Identification

1. Determine the **Fitting Type**: male or female o-ring, male insert o-ring, male or female flare, male or female springlock, or pad.

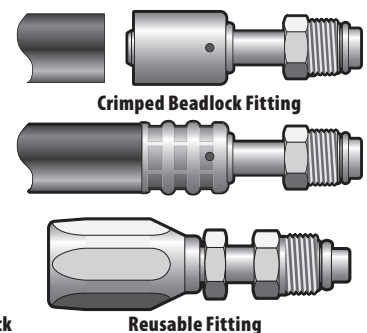


- Determine the **Fitting Size**: measure the outside diameter (O.D.) of the tube directly behind the nut.
- Check the hose-end size of the fitting. Measure the outside diameter of the part of the fitting that will insert in the hose. This is the same as the inside diameter (I.D.) of the hose.



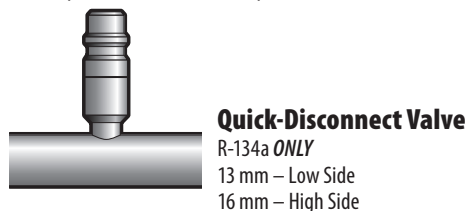
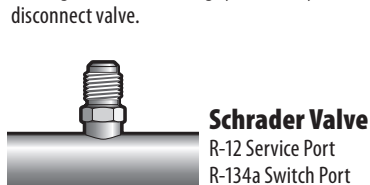
FITTINGS

- Is the fitting regular, step-up or step-down?
Regular: the hose-end size is the same as the fitting size. For example, a #6 hose-end and a #6 fitting.
Step-up: the hose-end size is larger than the fitting size. For example, a #8 hose-end and a #6 fitting.
Step-down: the hose-end size is smaller than the fitting size. For example, a #6 hose-end and a #8 fitting.
- Is the fitting straight, 45° or 90°?
- Is the connection to the hose EZ-Clip, Beadlock, Reduced Diameter Beadlock or reusable?



7. Are there **Charge Ports**?

Many refrigerant fittings have charge ports for use when checking pressures or evacuating or refilling an air conditioning system. They come in two types: a simple Schrader valve and a quick-disconnect valve.



EAT•N | **Aeroquip**

All **Aeroquip E-Z Clip Refrigerant Fitting Kits** contain the fitting and all necessary cage, clips and o-rings. **Use with Aeroquip E-Z Clip hose ONLY.**

AEROQUIP® E-Z CLIP ASSEMBLY INSTRUCTIONS

Cut the Hose

Cut the hose to proper length with an appropriate cutting tool. Aeroquip's hand-held cutter (79R8930) has been specially designed for cutting all non-wire reinforced hose. Be sure the cut is made square to the hose length.



Slip Two Clips on the Hose

Slide two clips (be sure to use the correct size) onto the cut end of the hose. The orientation of the clips does not affect the performance of the connection. However, for ease of assembly, both clips should be oriented in the same direction. **NOTE:** If you don't slide the clips over the hose at this time, you will have to stretch the clips over the hose and fitting later. This may permanently damage the clip.



Oil the Nipple

Lubricate the nipple with a generous amount of the refrigeration or A/C system's compressor lubricating oil. This **MUST** be done to lower the force of nipple insertion.



Insert the Nipple into the Hose

Insert the nipple into the hose. To ensure that the nipple is fully inserted, check the gap between the cut end of the hose and the shoulder of the nipple. Care should be taken to avoid kinking or other damage to the hose during this step. **NOTE:** Be sure to wipe excess oil from the nipple and hose.



Snap on the Cage

Snap the cage into the groove on the nipple. The arms of the cage should extend over the hose-covered length of nipple. When the cage has been correctly installed in the cage groove, the cage will be able to rotate in the groove. This step **MUST** be performed to ensure that:

1. The clips will be located over the O-Rings on the nipple.
2. The connection will be compatible with the connection's pressure rating.



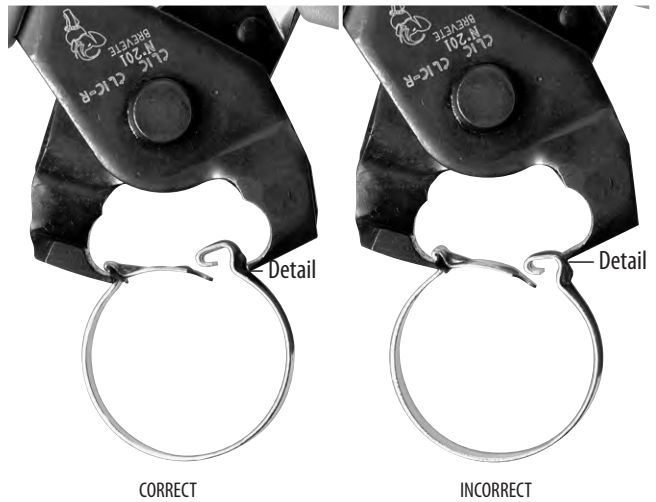
Position the Clips

Slide the clips over the cage arms and into the channels on each arm of the cage.



Close the Clips

Using the Connecting Tool (79R8920) to close the clips. The tool should be positioned squarely on the clip connection points and should remain square as pressure is applied and the clip is closed.



The nose of the plier should be firmly seated under the assembly bump and lock latch. If the pliers are not kept square as you close the clip, the clasp may have an offset. Use the pliers to correct the clasp alignment.



NOTE: E-Z Clip components should not be reused.

All Aeroquip E-Z Clip Refrigerant Fitting Kits contain the fitting and all necessary cage, clips and o-rings. Use with Aeroquip E-Z Clip hose ONLY.

E-Z CLIP SPLICER FITTING KITS

Splicer

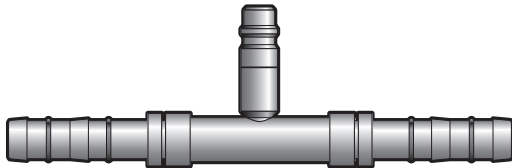
Straight



	Factory No.	Hose	Thread
70R8216	RD-5-10699-1P	6	N/A
70R8218	RD-5-10700-1P	8	N/A
70R8211	RD-5-10701-1P	10	N/A
70R8212	RD-5-10702-1P	12	N/A

Splicer

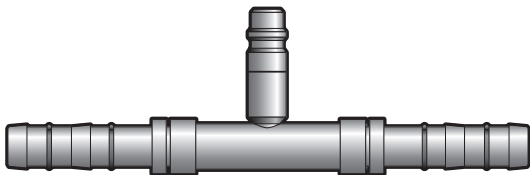
With Low Side Charge Port (134a)



	Factory No.	Hose	Thread
70R8271	RD-5-10704-1P	10	N/A
70R8272	RD-5-10705-1P	12	N/A

Splicer

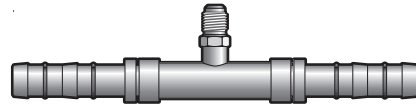
With High Side Charge Port (134a)



	Factory No.	Hose	Thread
70R8276	RD-5-10706-1P	6	N/A
70R8278	RD-5-10707-1P	8	N/A
70R8261	RD-5-10708-1P	10	N/A

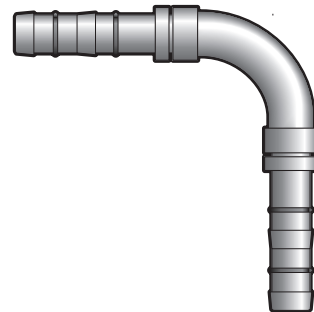
Splicer

With R12 Charge Port (1/4" - 20 thread)



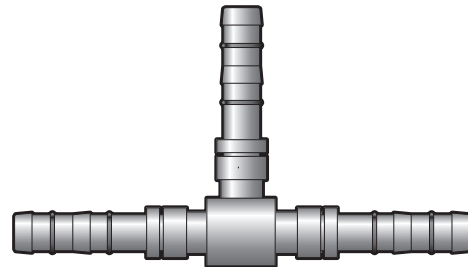
	Factory No.	Hose	Thread
70R8066	RD-5-10570-1P	6	N/A
70R8068	RD-5-10571-1P	8	N/A
70R8061	RD-5-10572-1P	10	N/A
70R8062	RD-5-10573-1P	12	N/A

90° Splicer



	Factory No.	Hose	Thread
70R8296	RD-5-10578-1P	6	N/A
70R8298	RD-5-10579-1P	8	N/A
70R8291	RD-5-10580-1P	10	N/A
70R8292	RD-5-10703-1P	12	N/A

"T" Splicer



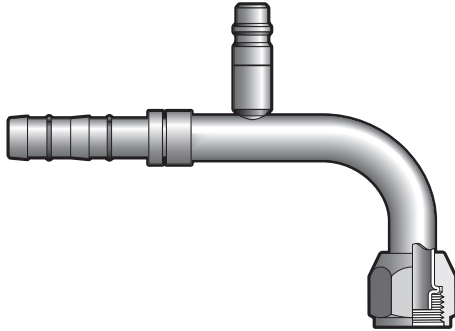
	Factory No.	Hose	Thread
70R8288	RD-5-11838-1P	8	N/A
70R8281	RD-5-11839-1P	10	N/A
70R8282	RD-5-11840-1P	12	N/A

All Aeroquip E-Z Clip Refrigerant Fitting Kits contain the fitting and all necessary cage, clips and o-rings. Use with Aeroquip E-Z Clip hose ONLY.

E-Z CLIP O-RING FITTING KITS

90° Female O-Ring

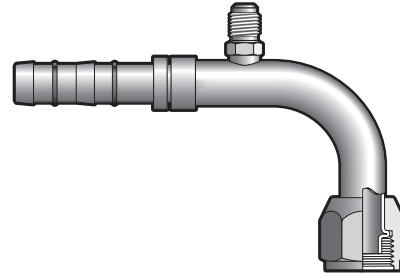
With Low Side Charge Port (134a)



	Factory No.	Hose	Fitting	Thread
70R8091	RD-5-10528-1P	10	10	7/8" - 14
70R8761	RD-5-10529-1P	12	10	7/8" - 14
70R8092	RD-5-10530-1P	12	12	1 1/4" - 14

90° Female O-Ring

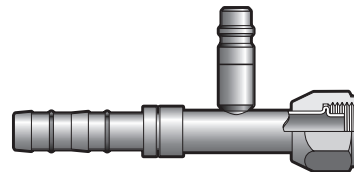
With 3/16" Switch Port



	Factory No.	Hose	Fitting	Thread
70R8996	RD-5-10567-1P	6	6	5/8" - 18
70R8998	RD-5-10568-1P	8	8	3/4" - 16
70R8221	RD-5-11573-1P	10	10	7/8" - 14
70R8891	RD-5-10569-1P	12	10	7/8" - 14

Straight Female O-Ring

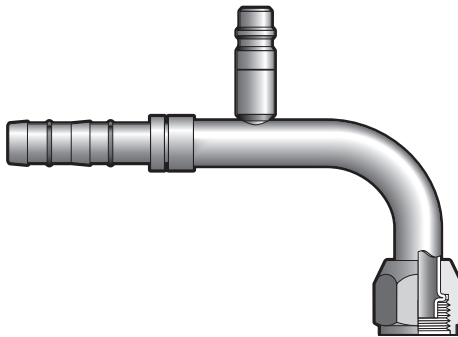
With Low Side Charge Port



	Factory No.	Hose	Fitting	Thread
70R8201	RD-5-10564-1P	10	10	7/8" - 14
70R8621	RD-5-10565-1P	12	10	7/8" - 14

90° Female O-Ring

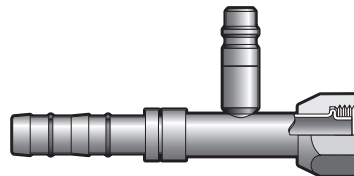
With High Side Charge Port (134a)



	Factory No.	Hose	Fitting	Thread
70R8096	RD-5-10719-1P	6	6	5/8" - 18
70R8098	RD-5-10720-1P	8	8	3/4" - 16
70R8198	RD-5-10721-1P	10	8	3/4" - 16

Straight Female O-Ring

With High Side Charge Port (134a)

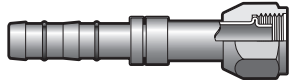


	Factory No.	Hose	Fitting	Thread
70R8226	RD-5-12485-1P	6	6	5/8" - 18
70R8208	RD-5-10566-1P	8	8	3/4" - 16

All Aeroquip E-Z Clip Refrigerant Fitting Kits contain the fitting and all necessary cage, clips and o-rings. Use with Aeroquip E-Z Clip hose ONLY.

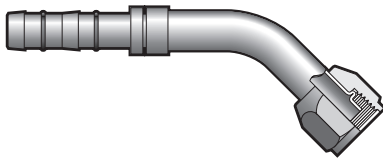
E-Z CLIP O-RING FITTING KITS

Straight Female O-Ring



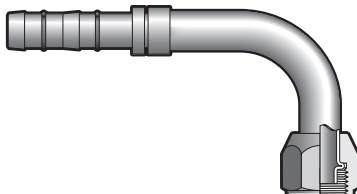
	Factory No.	Hose	Fitting	Thread
70R8606	RD-5-10508-1P	6	6	5/8" - 18
70R8706	RD-5-10509-1P	8	6	5/8" - 18
70R8608	RD-5-10510-1P	8	8	3/4" - 16
70R8708	RD-5-10511-1P	10	8	3/4" - 16
70R8601	RD-5-10512-1P	10	10	7/8" - 14
70R8701	RD-5-10513-1P	12	10	7/8" - 14
70R8602	RD-5-10515-1P	12	12	1 1/8" - 14

45° Female O-Ring



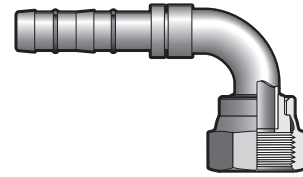
	Factory No.	Hose	Fitting	Thread
70R8646	RD-5-10516-1P	6	6	5/8" - 18
70R8648	RD-5-10517-1P	8	8	3/4" - 16
70R8641	RD-5-10518-1P	10	10	7/8" - 14
70R82511	RD-5-11387-1P	12	10	7/8" - 14
70R8642	RD-5-10519-1P	12	12	1 1/8" - 14

90° Female O-Ring



	Factory No.	Hose	Fitting	Thread
70R8696	RD-5-10520-1P	6	6	5/8" - 18
70R8796	RD-5-10521-1P	8	6	5/8" - 18
70R8698	RD-5-10522-1P	8	8	3/4" - 16
70R8798	RD-5-10523-1P	10	8	3/4" - 16
70R8691	RD-5-10524-1P	10	10	7/8" - 14
70R8791	RD-5-10525-1P	12	10	7/8" - 14
70R8692	RD-5-10527-1P	12	12	1 1/8" - 14

90° Female O-Ring (ORS) Flat Face O-Ring Seal



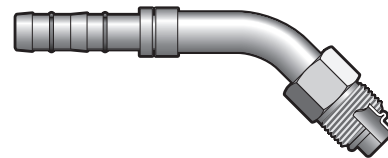
	Factory No.	Hose	Fitting	Thread
70R82256	RD-5-10694-1P	6	6	1 1/16" - 16
70R82258	RD-5-10695-1P	8	8	1 3/16" - 16
70R82251	RD-5-10696-1P	10	10	1" - 14
70R82252	RD-5-10697-1P	12	12	1 3/16" - 12
70R82261	RD-5-10698-1P	12	10	1" - 14

Straight Male O-Ring



	Factory No.	Hose	Fitting	Thread
70R8306	RD-5-10531-1P	6	6	5/8" - 18
70R8716	RD-5-10532-1P	8	6	5/8" - 18
70R8308	RD-5-10533-1P	8	8	3/4" - 16
70R8301	RD-5-10534-1P	10	10	7/8" - 18
70R8711	RD-5-10535-1P	12	10	7/8" - 18
70R8302	RD-5-10536-1P	12	12	1 1/8" - 14

45° Male O-Ring



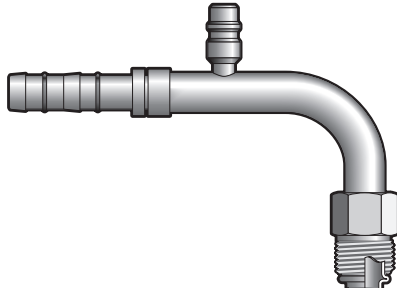
	Factory No.	Hose	Fitting	Thread
70R8346	RD-5-10555-1P	6	6	5/8" - 18
70R8348	RD-5-10554-1P	8	8	3/4" - 18
70R8341	RD-5-10556-1P	10	10	7/8" - 18

All Aeroquip E-Z Clip Refrigerant Fitting Kits contain the fitting and all necessary cage, clips and o-rings. Use with Aeroquip E-Z Clip hose ONLY.

E-Z CLIP O-RING FITTING KITS

90° Male O-Ring

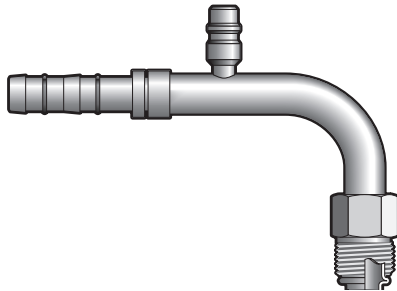
With Low Side Charge Port (134a)



	Factory No.	Hose	Fitting	Thread
70R8598	RD-5-10577-1P	12	12	7/8" - 18

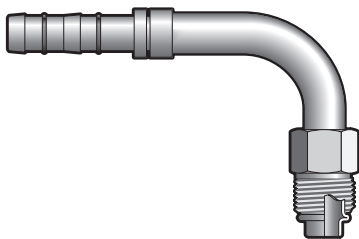
90° Male O-Ring

With High Side Charge Port (134a)



	Factory No.	Hose	Fitting	Thread
70R8398	RD-5-10576-1P	8	8	3/4" - 18

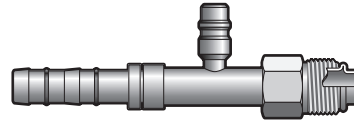
90° Male O-Ring



	Factory No.	Hose	Fitting	Thread
70R8006	RD-5-10537-1P	6	6	5/8" - 18
70R8786	RD-5-10538-1P	8	6	5/8" - 18
70R8008	RD-5-10539-1P	8	6	3/4" - 18
70R8788	RD-5-10540-1P	10	8	3/4" - 18
70R8001	RD-5-10543-1P	10	10	7/8" - 18
70R8781	RD-5-10541-1P	12	10	7/8" - 18
70R8002	RD-5-10542-1P	12	12	1 1/16" - 16

Straight Male O-Ring

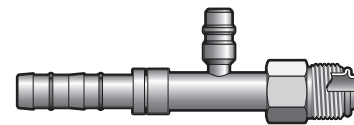
With Low Side Charge Port (134a)



	Factory No.	Hose	Fitting	Thread
70R8681	RD-5-10574-1P	12	10	7/8" - 18

Straight Male O-Ring

With High Side Charge Port (134a)



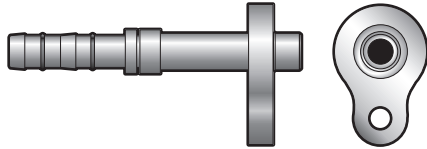
	Factory No.	Hose	Fitting	Thread
70R8688	RD-5-10575-1P	8	8	3/4" - 18

All Aeroquip E-Z Clip Refrigerant Fitting Kits contain the fitting and all necessary cage, clips and o-rings. Use with Aeroquip E-Z Clip hose ONLY.

E-Z CLIP PAD FITTING KITS

Straight Pad

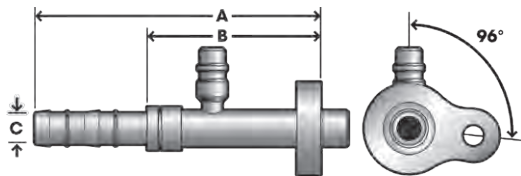
With 180° Pad



	Hose to Factory No.	Hose	Fitting	Thread
70R85206	RD-5-11536-1P	6	8	N/A
70R85201	RD-5-11537-1P	10	8	N/A
70R85202	RD-5-11538-1P	12 to 10	N/A	

Straight Pad

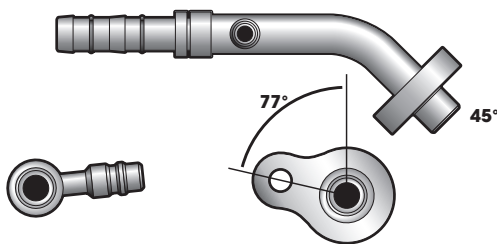
With Low Side 134a Port, 96° Pad



	Hose to Factory No.	Hose	Fitting	Thread
70R85212	RD-5-11539-1P	12	10	N/A

45° Elbow Pad

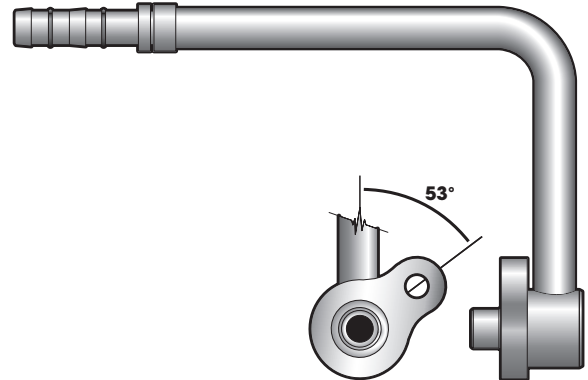
With Low Side 134a Port



	Hose to Factory No.	Hose	Fitting	Thread
70R85222	RD-5-11540-1P	12	10	N/A

90° Elbow Pad

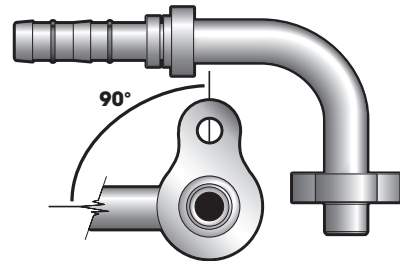
With 53° Pad



	Hose to Factory No.	Hose	Fitting	Thread
70R85301	RD-5-11541-1P	10	8	N/A

90° Elbow Pad

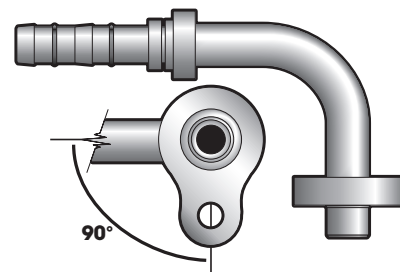
With Right Side Bolt Hole, 90° Pad



	Hose to Factory No.	Hose	Fitting	Thread
70R85336	RD-5-11545-1P	8	6	N/A

90° Elbow Pad

With Left Side Bolt Hole, 180° Pad



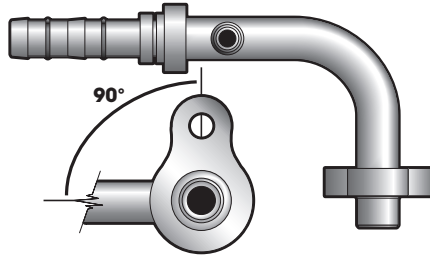
	Hose to Factory No.	Hose	Fitting	Thread
70R85326	RD-5-11543-1P	8	6	N/A
70R85321	RD-5-11544-1P	8	10	N/A

All Aeroquip E-Z Clip Refrigerant Fitting Kits contain the fitting and all necessary cage, clips and o-rings. Use with Aeroquip E-Z Clip hose ONLY.

E-Z CLIP PAD FITTING KITS

90° Elbow Pad

With Right Side Bolt Hole, 90° Pad and Low Side 134a Port



	Hose to Factory No.	Hose	Fitting	Thread
70R85311	RD-5-11542-1P	12	10	N/A

E-Z CLIP BRAZE & BULKHEAD FITTING KITS

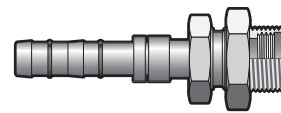
Steel "Lifesaver" Braze Nipple



	Factory No.	Hose	Fitting	Thread
70R8556	RD-5-10547-1P	6	6	N/A
70R8558	RD-5-10548-1P	8	8	N/A
70R8551	RD-5-10549-1P	10	10	N/A
70R8511	RD-5-10550-1P	12	10	N/A
70R85312	RD-5-12839-0P	12	12	N/A

Bulkhead Fitting

Straight Fitting



	Factory No.	Hose	Fitting	Thread
70R8886	RD-5-10557-1P	6	6	5/8" - 18
70R8888	RD-5-10558-1P	8	8	3/4" - 16
70R8881	RD-5-10559-1P	10	10	7/8" - 14

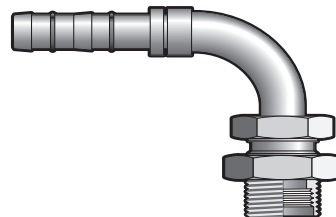
Aluminum "Lifesaver" Braze Nipple



	Factory No.	Hose	Fitting	Thread
70R8566	RD-5-10547-1P	6	6	N/A
70R8568	RD-5-10548-1P	8	8	N/A
70R8561	RD-5-10549-1P	10	10	N/A
70R8562	RD-5-12839-0P	12	12	N/A

Bulkhead Fitting

90° Fitting

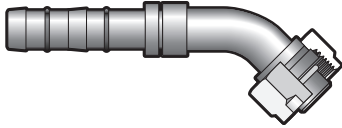


	Factory No.	Hose	Fitting	Thread
70R8086	RD-5-10560-1P	6	6	5/8" - 18
70R8088	RD-5-10561-1P	8	8	3/4" - 16
70R8071	RD-5-10562-1P	10	10	7/8" - 14
70R8591	RD-5-10563-1P	12	10	7/8" - 14

All Aeroquip E-Z Clip Refrigerant Fitting Kits contain the fitting and all necessary cage, clips and o-rings. Use with Aeroquip E-Z Clip hose ONLY.

E-Z CLIP PAD FITTING KITS

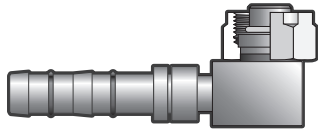
45° Female Rotolock



	Factory No.	Hose	Fitting	Thread
75R75218	RD-5-11829-1P	8	8	1" X 14
75R75212	RD-5-11830-1P	12	12	1" X 14

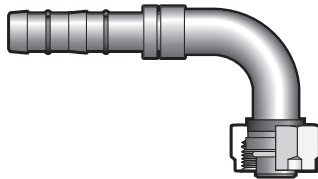
90° Female Rotolock

Compressor Block



	Factory No.	Hose	Fitting	Thread
75R75208	RD-5-11833-1P	8	8	1" X 14
75R75202	RD-5-11834-1P	12	12	1" X 14


90° Female Rotolock



	Factory No.	Hose	Fitting	Thread
75R75228	RD-5-11831-1P	8	8	1" X 14
75R75201	RD-5-11978-1P	10	10	1" X 14
75R75222	RD-5-11832-1P	12	12	1" X 14

All **Aeroquip E-Z Clip Refrigerant Fitting Kits** contain the fitting and all necessary cage, clips and o-rings. **Use with Aeroquip E-Z Clip hose ONLY.**

E-Z CLIP HOSE FITTINGS & TOOLS

	Hose Size	Length	Part No.	Factory No.	I.D.	Max.O.D.
 <p>Use with Aeroquip® E-Z Clip Fittings ONLY</p>	#6	50 ft. box 560 ft. spool	78R8456 78R8456SP	RD-5-10504-600P RD-5-10504-0P	5/16"	37/64"
	#8	50 ft. box 575 ft. spool	78R8458 78R8458SP	RD-5-10505-600P RD-5-10505-0P	13/32"	45/64"
	#10	50 ft. box 550 ft. spool	78R8451 78R8451SP	RD-5-10506-600P RD-5-10506-0P	1/2"	25/32"
	#12	50 ft. box 367 ft. spool	78R8452 78R8452SP	RD-5-10507-600P RD-5-10507-0P	5/8"	63/64"
	#16	250 ft. spool	78R84566SP	RD-5-12647-0P	7/8"	1 13/64"

#16 available in spools only

CAGES & CLIPS

Packages of 10

	Cages	Clips
Size	Factory No.	Factory No.
#6	70R8806 RD-5-10709-0M	70R8826 RD-5-10713-0M
#8	70R8808 RD-5-10710-0M	70R8828 RD-5-10714-0M
#10	70R8801 RD-5-10711-0M	70R8821 RD-5-10715-0M
#12	70R8802 RD-5-10712-0M	70R8822 RD-5-10716-0M
#16	70R88066 RD-5-11996-0M	70R88266 RD-5-11997-0M

CAPS

Threaded protective caps — Packages of 20

	Factory No.	Description
75R5555	RD-5-11325-0M	E-Z Clip Low Side Cap
75R5556	RD-5-11223-0M	E-Z Clip High Side Cap

All Aeroquip E-Z Clip Refrigerant Fitting Kits contain the fitting and all necessary cage, clips and o-rings. Use with Aeroquip E-Z Clip hose ONLY.

AEROQUIP TOOL

79R8920 RD-5-10717-0P
#6-#12 Connecting Tool



79R8926 RD-5-13543-0P
#16 Connecting Tool



79R8930 RD-5-10739-0P
Hose Cutter & Blade, maximum hose O.D.: 2"



Replacement Blade for 79R8930: **79R8931** RD-5-10740-0P

TOOL KIT

79R8915 RD-5-10718-0P

Includes:

- 20 each: Clips: #6, #8, #10, #12
- 10 each: Cages: #6, #8, #10, #12
- Connecting Tool 79R8920
- Hose Cutter 79R8930
- Replacement blade for Hose Cutter



STEEL FIELDCASE

79R8916 RD-5-11372-0P

Includes:

- 100 each: Clips: #6, #8, #10, #12
- 50 each: Cages: #6, #8, #10, #12
- 50 each: O-Rings: #6, #8, #10, #12
- 100 each: O-Ring Nipple: #6, #8, #10, #12
- Connecting Tool 79R8920
- Hose Cutter 79R8930
- 2 Replacement blades for Hose Cutter



EZ CLIP NIPPLE O-RINGS

70R8836

RD-5-11461-0M

#6



70R8838

RD-5-11462-0M

#8



70R8831

RD-5-11463-0M

#10



70R8832

RD-5-11464-0M

#12



70R8840

RD-5-13242-0M

#16



O-Rings ship 25 per package

FITTINGS

All Aeroquip E-Z Clip Refrigerant Fitting Kits contain the fitting and all necessary cage, clips and o-rings. Use with Aeroquip E-Z Clip hose ONLY.

E-Z CLIP STARTER INVENTORY KIT

AeroQuip's line of E-Z Clip fittings are easy to use, make complex installations a snap. We recommend E-Z Clip above all other fittings. To help get you started we offer a selection of the most-used fittings and the hardware to install them. We also supply 50' of hose in all four sizes supported by these starter kits.



70R9903

RD-5-11559-3P

Each starter kit includes the tool kit (79R8915) plus **four** of each fitting listed below. It also includes **50'** each #6, #8, #10 and #12 hose.

- #6 Hose: **78R8456**
- #8 Hose: **78R8458**
- #10 Hose: **78R8451**
- #12 Hose: **78R8452**

FITTINGS

Splicer – Straight			
#8	70R8218	#12	70R8212
Splicer with 134a Low Side Charge Port			
#10	70R8271	#12	70R8272
Splicer with 134a High Side Charge Port			
#8	70R8278	#10	70R8261
Splicer with R12 Charge Port			
#8	70R8068	#12	70R8062
#10	70R8061		
90° Splicer			
#12	70R8292		
90° Female O-Ring with 134a Low Side Charge Port			
#10	70R8091		
90° Female O-Ring with 134a High Side Charge Port			
#8	70R8098		
Straight Female O-Ring			
#6	70R8606	#10	70R8601
#6 to #8	70R8706	#10 to #12	70R8701
#8	70R8608	#12	70R8602
#8 to #10	70R8708		

90° Female O-Ring			
#6	70R8696	#10	70R8691
#6 to #8	70R8796	#10 to #12	70R8791
#8	70R8698	#12	70R8692
#8 to #10	70R8798		
Straight Male O-Ring			
#6	70R8306	#10 to #12	70R8711
#10	70R8301		
90° Male O-Ring			
#6	70R8006	#6 to #8	70R8786
#10 to #12	70R8781		
"Lifesaver" Braze Nipple			
#6	70R8556	#10	70R8551
#8	70R8558	#10 to #12	70R8511
90° Elbow Compressor Fitting			
#8	75R75208	#12	75R75202
90° Elbow Compressor Fitting			
#8	75R75228	#12	75R75222
45° Elbow Compressor Fitting			
#8	75R75218	#12	75R75212

All Aeroquip E-Z Clip Refrigerant Fitting Kits contain the fitting and all necessary cage, clips and o-rings. Use with Aeroquip E-Z Clip hose ONLY.

E-Z CLIP STARTER INVENTORY KIT-LIGHT

AeroQuip's line of E-Z Clip fittings are easy to use, make complex installations a snap. We recommend E-Z Clip above all other fittings. To help get you started we offer a selection of the most-used fittings and the hardware to install them. We also supply 50' of hose in all four sizes supported by these starter kits.

70R9904 RD-5-13822-0P

Each starter kit includes the Connecting Tool (79R9520) and Hose Cutter & Blade (79R8930) plus **three** of each fitting listed below. It also includes **50'** each #6, #8, #10 and #12 hose.

#6 Hose: **78R8456** #8 Hose: **78R8458** #10 Hose: **78R8451** #12 Hose: **78R8452**

Splicer – Straight			
#8	70R8218	#12	70R8212
Splicer with 134a Low Side Charge Port			
#10	70R8271	#12	70R8272
Splicer with 134a High Side Charge Port			
#8	70R8278	#10	70R8261
90° Female O-Ring with 134a Low Side Charge Port			
#10	70R8091		
90° Female O-Ring with 134a High Side Charge Port			
#8	70R8098		
Straight Female O-Ring			
#6	70R8606	#10	70R8601
#6 to #8	70R8706	#10 to #12	70R8701
#8	70R8608	#12	70R8602
90° Female O-Ring			
#6	70R8696	#10	70R8691
#6 to #8	70R8796	#10 to #12	70R8791
#8	70R8698	#12	70R8692

Straight Male O-Ring			
#6	70R8306	#10 to #12	70R8711
#10	70R8301		
90° Male O-Ring			
#6	70R8006	#10 to #12	70R8781
"Lifesaver" Braze Nipple			
#6	70R8556	#10	70R8551
#8	70R8558	#12	70R8511
90° Elbow Compressor Fitting			
#8	75R75208	#12	75R75202
90° Elbow Compressor Fitting			
#8	75R75228	#12	75R75222
45° Elbow Compressor Fitting			
#8	75R75218	#12	75R75212

REFRIGERANT HOSE FITTINGS

For all **Refrigerant Fittings** be sure to use **Red Dot Refrigerant Hose** or equivalent.

CRIMP INSPECTION GUIDE

Always inspect crimps visually and dimensionally.

Visual Inspection

Visually inspect the first crimp to make sure that the correct dies were used, crimp location is correct, crimp is uniform, and there is no internal deformation of the fitting. A good crimp will be properly centered on the ferrule, meet the target depth dimension, and be symmetrical in shape.

What to look for:

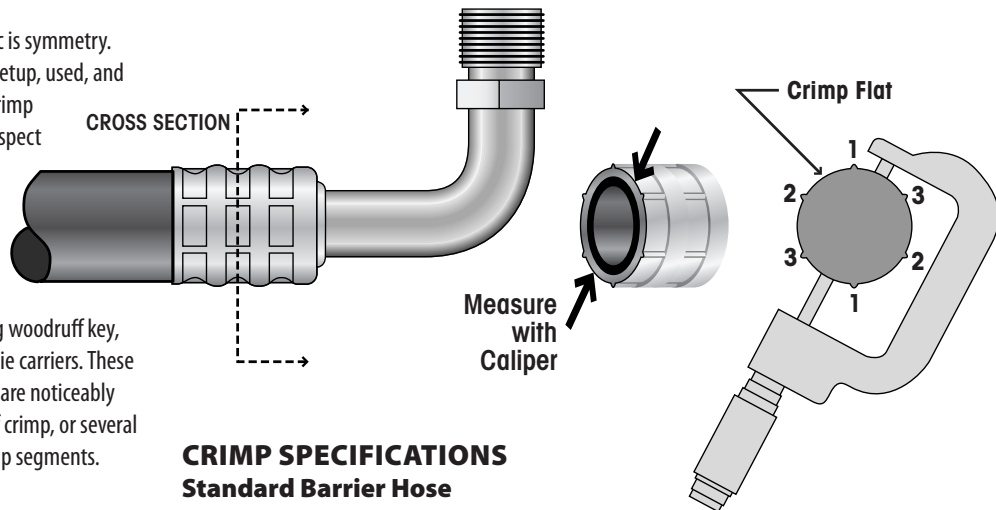
- 1) The first visual criteria for a good crimp is the location of the crimp rings on the ferrule. The instructions provided should produce a crimp that is well centered on the ferrule. The first crimp ring will be approximately $\frac{1}{4}$ " from the open end of the ferrule.
- 2) The second visual characteristic is symmetry. When the Crimper is properly setup, used, and maintained, it will produce a crimp which is evenly shaped with respect to the crimp depths and the pinched ears in between. Many conditions in the process could cause an irregular crimp including: worn guide blocks, dies not seated, missing woodruff key, or deterioration in the plastic die carriers. These faults will produce crimps that are noticeably irregular with varying depth of crimp, or several prominent "ears" between crimp segments.

Dimensional Inspection

If the crimp is properly centered and regular, the crimp depth is the only remaining characteristic to check. The target dimensions can be measured with a set of blade or pin micrometers. The dimensional gauging should be used to verify the proper setup or when the tool is disassembled for maintenance. Gauges also should be used periodically during operation to verify continued acceptable crimps.

What to Measure

With the use of a micrometer measure across the diameter at the center of the crimp. The tooling manufacturer recommends checking in three locations: one reading on each of the three crimp bands, rotating the part to the next facet each time to assure checking each opposing die segment. In this manner each band and facet are checked. NOTE: Using a Vernier Caliper may be an acceptable alternate gauge for the larger size fittings but not the smaller ones. Depending on ferrule size, the crimped "ears" may extend higher than the crimp diameter giving a false reading.



CRIMP SPECIFICATIONS

Standard Barrier Hose

The critical target dimensional tolerance is as follows:

Die Size	Target Diameter	Tolerance Range
#6	.660"	.650" to .675"
#8	.830"	.820" to .845"
#10	.936"	.926" to .951"
#12	1.035"	1.025" to 1.050"

Reduced Barrier Hose

The critical target dimensional tolerance is as follows:

Die Size	Target Diameter	Tolerance Range
#6	.556"	.551" to .571"
#8	.640"	.635" to .655"
#10	.742"	.737" to .757"
#12	.897"	.892" to .912"

It is normal for one of the three measurements to be close to the nominal target while the other two may be up to .010" larger, but still in tolerance.

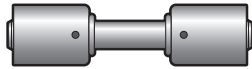
This Crimp Inspection Guide is intended for use with fittings and Red Dot or Goodyear Galaxy™ hose, crimped with an 3700 crimper (79R1510 & 79R1515) only.

REFRIGERANT HOSE FITTINGS

For all Refrigerant Fittings be sure to use Red Dot Refrigerant Hose or equivalent.

REFRIGERANT HOSE SPLICERS

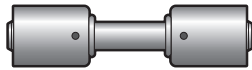
Straight Splicer



	Factory No.	Thread	Fitting Size	Hose Size	Port
70R2016S	RD-5-8267-0P	N/A	N/A	6 X 6	N/A
70R2018S	RD-5-8268-0P	N/A	N/A	8 X 8	N/A
70R2011S	RD-5-8265-0P	N/A	N/A	10 X 10	N/A
70R2012S	RD-5-8266-0P	N/A	N/A	12 X 12	N/A

Straight Splicer

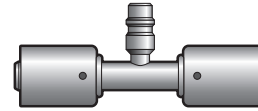
Step-Up



	Factory No.	Thread	Fitting Size	Hose Size	Port
70R2036S	RD-5-8274-0P	N/A	N/A	6 X 8	N/A
70R2038S	RD-5-12026-0P	N/A	N/A	8 X 10	N/A
70R2031S	RD-5-8273-0P	N/A	N/A	10 X 12	N/A

Straight Splicer

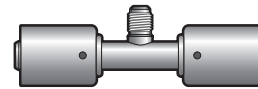
With R134a Quick Disconnect Service Port



	Factory No.	Thread	Fitting Size	Hose Size	Port
70R2076S	RD-5-7074-0P	N/A	N/A	6 X 6	16mm
70R2076LS	RD-5-7072-0P	N/A	N/A	6 X 6	16mm
70R2078S	RD-5-7057-0P	N/A	N/A	8 X 8	16mm
70R2071S	RD-5-7058-0P	N/A	N/A	10 X 10	13mm
70R22071	RD-5-8036-0P	N/A	N/A	10 X 10	16mm
70R2072S	RD-5-7075-0P	N/A	N/A	12 X 12	13mm

Straight Splicer

With R12 Service Port



	Factory No.	Thread	Fitting Size	Hose Size	Port
70R2066S	RD-5-8271-0P	N/A	N/A	6 X 6	1/4"
70R2068S	RD-5-8272-0P	N/A	N/A	8 X 8	1/4"
70R2061S	RD-5-8269-0P	N/A	N/A	10 X 10	1/4"
70R2062S	RD-5-8270-0P	N/A	N/A	12 X 12	1/4"

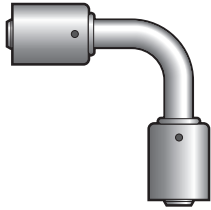
LS = Limited to stock on hand
 Plain (no suffix) = aluminum S= Steel

REFRIGERANT HOSE FITTINGS

For all **Refrigerant Fittings** be sure to use **Red Dot Refrigerant Hose** or equivalent.

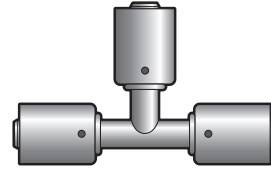
REFRIGERANT HOSE SPLICERS

90° Splicer



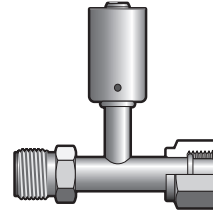
	Factory No.	Thread	Fitting Size	Hose Size	Port
70R2096S	RD-5-12028-0P	N/A	N/A	6 X 6	N/A
70R2098S	RD-5-12029-0P	N/A	N/A	8 X 8	N/A
70R2091S	RD-5-12030-0P	N/A	N/A	10 X 10	N/A
70R2092S	RD-5-12031-0P	N/A	N/A	12 X 12	N/A

Tee Splicer



	Factory No.	Thread	Fitting Size	Hose Size	Port
70R2406S	RD-5-12032-0P	N/A	N/A	6 x 6 x 6	N/A
70R2406 LS	RD-5-8234-0P	N/A	N/A	6 x 6 x 6	N/A
70R2408S	RD-5-12033-0P	N/A	N/A	8 x 8 x 8	N/A
70R2401 LS	RD-5-8236-0P	N/A	N/A	10 x 10 x 10	N/A
70R2402S	RD-5-12035-0P	N/A	N/A	12 x 12 x 12	N/A
70R2402 LS	RD-5-8237-0P	N/A	N/A	12 x 12 x 12	N/A

Tee Splicer Threaded



	Factory No.	Thread	Male Insert O-Ring Fitting Size	Female O-Ring Fitting Size	Hose Size
70R2116S	RD-5-12036-0P	5/8" - 18	6	6	6
70R2111S	RD-5-12037-0P	3/8" - 14	10	10	10
70R2112S	RD-5-12038-0P	1 1/16" - 14	12	12	10
70R2112 LS	RD-5-7493-0P	1 1/16" - 14	12	12	10

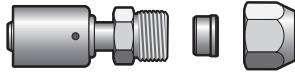
LS = Limited to stock on hand
 Plain (no suffix) = aluminum S= Steel

REFRIGERANT HOSE FITTINGS

For all Refrigerant Fittings be sure to use Red Dot Refrigerant Hose or equivalent.

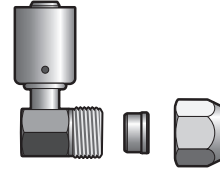
COMPRESSION FITTINGS

Straight Compression Fitting



	Factory No.	Thread	Fitting Size	Hose Size	Port
70R4006S	RD-5-7405-0P	3/8" Tube	6	6	N/A
70R4008S	RD-5-7431-0P	1/2" Tube	8	8	N/A
70R4001S	RD-5-7457-0P	5/8" Tube	10	10	N/A
70R4002S	RD-5-7481-0P	3/4" Tube	12	12	N/A

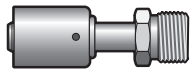
90° Compression Fitting



	Factory No.	Thread	Fitting Size	Hose Size	Port
70R4096S	RD-5-7406-0P	3/8" Tube	6	6	N/A
70R4098S	RD-5-7432-0P	1/2" Tube	8	8	N/A
70R4091S	RD-5-7458-0P	5/8" Tube	10	10	N/A
70R4092S	RD-5-7482-0P	3/4" Tube	12	12	N/A

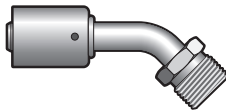
MALE INSERT O-RING FITTINGS

Straight Male Insert O-Ring



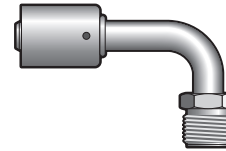
	Factory No.	Thread	Fitting Size	Hose Size	Port
70R4506S	RD-5-7629-0P	5/8" - 18	6	6	N/A
70R4508S	RD-5-8277-0P	3/4" - 16	8	8	N/A
70R4501S	RD-5-7661-0P	7/8" - 14	10	10	N/A
70R4502S	RD-5-12286-0P	1 1/16" - 14	12	12	N/A

45° Male Insert O-Ring



	Factory No.	Thread	Fitting Size	Hose Size	Port
70R4546S	RD-5-12287-0P	5/8" - 18	6	6	N/A
70R4541S	RD-5-12289-0P	7/8" - 14	10	10	N/A

90° Male Insert O-Ring



	Factory No.	Thread	Fitting Size	Hose Size	Port
70R4596S	RD-5-8279-0P	5/8" - 18	6	6	N/A
70R4596 LS	RD-5-7401-0P	5/8" - 18	6	6	N/A
70R4598S	RD-5-8280-0P	3/4" - 16	8	8	N/A
70R4598 LS	RD-5-6488-0P	3/4" - 16	8	8	N/A
70R4591S	RD-5-8278-0P	7/8" - 14	10	10	N/A
70R4591 LS	RD-5-6487-0P	7/8" - 14	10	10	N/A

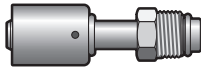
LS = Limited to stock on hand
 Plain (no suffix) = aluminum S= Steel

REFRIGERANT HOSE FITTINGS

For all **Refrigerant Fittings** be sure to use **Red Dot Refrigerant Hose** or equivalent.

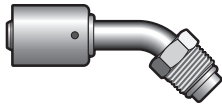
O-RING REFRIGERANT FITTINGS

Straight Male O-Ring



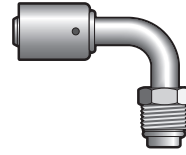
	Factory No.	Thread	Fitting Size	Hose Size	Port
70R4306S	RD-5-7805-OP	5/8" - 18	6	6	N/A
70R4308S	RD-5-6946-OP	3/4" - 18	8	8	N/A
70R4308 LS	RD-5-6478-OP	3/4" - 18	8	8	N/A
70R4301S	RD-5-6951-OP	7/8" - 18	10	10	N/A
70R4302S	RD-5-8261-OP	1 1/4" - 16	12	12	N/A

45° Male O-Ring



	Factory No.	Thread	Fitting Size	Hose Size	Port
70R4346S	RD-5-6942-OP	5/8" - 18	6	6	N/A
70R4346 LS	RD-5-6527-OP	5/8" - 18	6	6	N/A
70R4348S	RD-5-8262-OP	3/4" - 18	8	8	N/A
70R4348 LS	RD-5-7423-OP	3/4" - 18	8	8	N/A
70R4341S	RD-5-6953-OP	7/8" - 18	10	10	N/A
70R4341 LS	RD-5-7451-OP	7/8" - 18	10	10	N/A
70R4342S	RD-5-8264-OP	1 1/4" - 16	12	12	N/A
70R4342 LS	RD-5-7476-OP	1 1/4" - 16	12	12	N/A

90° Male O-Ring



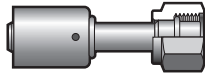
	Factory No.	Thread	Fitting Size	Hose Size	Port
70R4396S	RD-5-6944-OP	5/8" - 18	6	6	N/A
70R4398S	RD-5-6949-OP	3/4" - 18	8	8	N/A
70R4391S	RD-5-6955-OP	7/8" - 18	10	10	N/A
70R4391 LS	RD-5-6484-OP	7/8" - 18	10	10	N/A
70R4392S	RD-5-8263-OP	1 1/4" - 16	12	12	N/A
70R4392 LS	RD-5-7477-OP	1 1/4" - 16	12	12	N/A

REFRIGERANT HOSE FITTINGS

For all Refrigerant Fittings be sure to use Red Dot Refrigerant Hose or equivalent.

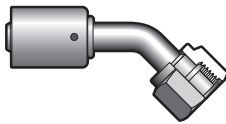
O-RING REFRIGERANT FITTINGS

Straight Female O-Ring



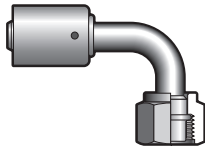
	Factory No.	Thread	Fitting Size	Hose Size	Port
70R4406S	RD-5-6838-OP	5/8" - 18	6	6	N/A
70R4408S	RD-5-6947-OP	3/4" - 16	8	8	N/A
770R4401S	RD-5-6841-OP	7/8" - 14	10	10	N/A
70R4402S	RD-5-7740-OP	1 1/16" - 14	12	12	N/A
70R4402 LS	RD-5-7471-OP	1 1/16" - 14	12	12	N/A

45° Female O-Ring



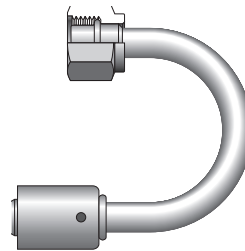
	Factory No.	Thread	Fitting Size	Hose Size	Port
70R4446S	RD-5-6943-OP	5/8" - 18	6	6	N/A
70R4446 LS	RD-5-6511-OP	5/8" - 18	6	6	N/A
70R4448S	RD-5-6948-OP	3/4" - 16	8	8	N/A
70R4448 LS	RD-5-6719-OP	3/4" - 16	8	8	N/A
70R4441S	RD-5-6954-OP	7/8" - 14	10	10	N/A
70R4442S	RD-5-8462-OP	1 1/16" - 14	12	12	N/A
70R4442 LS	RD-5-7473-OP	1 1/16" - 14	12	12	N/A

90° Female O-Ring



	Factory No.	Thread	Fitting Size	Hose Size	Port
70R4496S	RD-5-6945-OP	5/8" - 18	6	6	N/A
70R4498S	RD-5-6840-OP	3/4" - 16	8	8	N/A
70R4491S	RD-5-6956-OP	7/8" - 14	10	10	N/A
70R4492S	RD-5-7733-OP	1 1/16" - 14	12	12	N/A

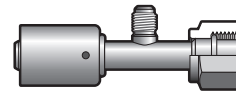
180° Female O-Ring



	Factory No.	Thread	Fitting Size	Hose Size	Port
70R2006S	RD-5-12298-OP	5/8" - 18	6	6	N/A
70R2001S	RD-5-12300-OP	3/4" - 14	10	10	N/A

Straight Female O-Ring

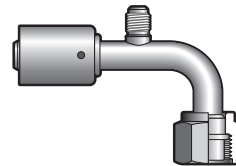
With Schrader Valve (R-12)



	Factory No.	Thread	Fitting Size	Hose Size	Port
70R4416S	RD-5-8539-OP	5/8" - 18	6	6	1/4"

90° Female O-Ring

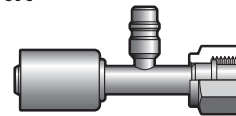
With Schrader Valve (R-12)



	Factory No.	Thread	Fitting Size	Hose Size	Port
70R4996	RD-5-7612-OP	5/8" - 18	6	6	1/4"
70R4991	RD-5-6524-OP	3/4" - 14	10	10	1/4"

Straight Female O-Ring

With R134a Charge Port



	Factory No.	Thread	Fitting Size	Hose Size	Port
70R7006S	RD-5-12303-OP	5/8" - 18	6	6	16mm
70R7008S	RD-5-7632-OP	3/4" - 16	8	8	16mm
70R7001S	RD-5-8017-OP	3/4" - 14	10	10	13mm
70R7002S	RD-5-8281-OP	1 1/16" - 14	12	12	13mm

LS = Limited to stock on hand
Plain (no suffix) = aluminum S= Steel

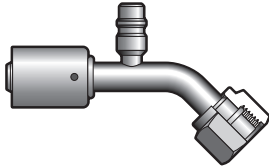
REFRIGERANT HOSE FITTINGS

For all **Refrigerant Fittings** be sure to use **Red Dot Refrigerant Hose** or equivalent.

O-RING REFRIGERANT FITTINGS

45° Female O-Ring

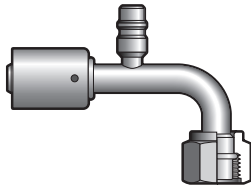
With R134a Charge Port



	Factory No.	Thread	Fitting Size	Hose Size	Port
70R6446S	RD-5-12302-0P	5/8" - 18	6	6	16mm

90° Female O-Ring

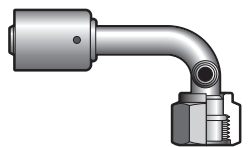
With R134a Charge Port



	Factory No.	Thread	Fitting Size	Hose Size	Port
70R6496S	RD-5-7546-0P	5/8" - 18	6	6	16mm
70R6496 LS	RD-5-7283-0P	5/8" - 18	6	6	16mm
70R6598S	RD-5-7225-0P	3/4" - 16	8	8	16mm
70R6491S	RD-5-7231-0P	7/8" - 14	10	10	13mm
70R6492S	RD-5-8282-0P	1 1/4" - 14	12	12	13mm

90° Female O-Ring

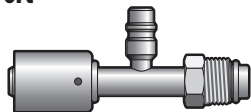
With R134a Side Charge Port



	Factory No.	Thread	Fitting Size	Hose Size	Port
70R6498S	RD-5-7119-0P	3/4" - 16	8	8	16mm

Straight Male O-Ring

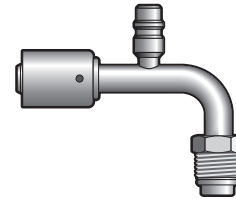
With R134a Charge Port



	Factory No.	Thread	Fitting Size	Hose Size	Port
70R4316S	RD-5-12290-0P	5/8" - 18	6	6	16mm
70R4311S	RD-5-12291-0P	7/8" - 18	10	10	13mm
70R4312S	RD-5-12292-0P	1 1/4" - 16	12	12	13mm
70R4310S	RD-5-12293-0P	7/8" - 18	10	12	13mm

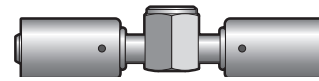
90° Male O-Ring

With R134a Charge Port



	Factory No.	Thread	Fitting Size	Hose Size	Port
70R42396S	RD-5-12294-0P	5/8" - 18	6	6	16mm
70R42390S	RD-5-12295-0P	7/8" - 18	10	10	13mm

Fitting-In Line Sight Glass



	Factory No.	Thread	Fitting Size	Hose Size	Port
70R3510S	RD-5-8393-0P	N/A	N/A	6 x 6	N/A

LS = Limited to stock on hand
 Plain (no suffix) = aluminum S= Steel

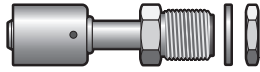
REFRIGERANT HOSE FITTINGS

For all Refrigerant Fittings be sure to use Red Dot Refrigerant Hose or equivalent.

BULKHEAD FITTINGS

Straight Bulkhead Style

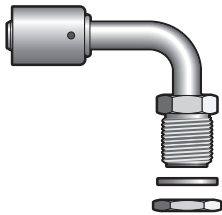
With Male Insert O-Ring (MIO)



	Factory No.	Thread	Fitting Size	Hose Size	Port
70R6006S	RD-5-8537-0P	5/8" - 18	6	6	N/A
70R6006 LS	RD-5-7396-0P	5/8" - 18	6	6	N/A
70R6008S	RD-5-8538-0P	3/4" - 16	8	8	N/A
70R6001S	RD-5-12304-0P	7/8" - 14	10	10	N/A
70R6002S	RD-5-13536-0P	1 1/16" - 14	12	12	N/A

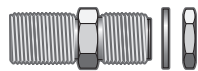
90° Bulkhead Style

With Male Insert O-Ring (MIO)



	Factory No.	Thread	Fitting Size	Hose Size	Port
70R6096S	RD-5-12305-0P	5/8" - 18	6	6	N/A
70R6096 LS	RD-5-7397-0P	5/8" - 18	6	6	N/A
70R6098S	RD-5-12306-0P	3/4" - 16	8	8	N/A
70R6091S	RD-5-12307-0P	7/8" - 14	10	10	N/A

Bulkhead Style

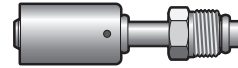


	Factory No.	Thread	Fitting Size	Hose Size	Port
70R6506	RD-5-8772-0P	5/8" - 18	6	N/A	N/A
70R6508	RD-5-8773-0P	3/4" - 16	8	N/A	N/A
70R6501	RD-5-8774-0P	7/8" - 14	10	N/A	N/A

STEP-DOWN O-RING FITTINGS

Straight Male O-Ring

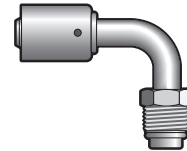
Step Down



	Factory No.	Thread	Fitting Size	Hose Size	Port
70R4005S	RD-5-12308-0P	1 1/16"	7	6	N/A
70R4006	RD-5-8405-0P	1 1/16"	7	6	N/A

90° Male O-Ring

Step-Down



	Factory No.	Thread	Fitting Size	Hose Size	Port
70R4798S	RD-5-12309-0P	3/4" - 18	8	6	N/A
70R4798 LS	RD-5-7424-0P	3/4" - 18	8	6	N/A

LS = Limited to stock on hand
Plain (no suffix) = aluminum S= Steel

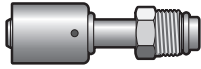
REFRIGERANT HOSE FITTINGS

For all **Refrigerant Fittings** be sure to use **Red Dot Refrigerant Hose** or equivalent.

STEP-UP O-RING FITTINGS

Straight Male O-Ring

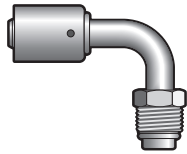
Step-Up



	Factory No.	Thread	Fitting Size	Hose Size	Port
70R4706S	RD-5-8275-0P	5/8" - 18	6	8	N/A
70R4701S	RD-5-6979-0P	7/8" - 18	10	12	N/A

90° Male O-Ring

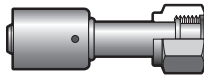
Step-Up



	Factory No.	Thread	Fitting Size	Hose Size	Port
70R4796S	RD-5-8276-0P	5/8" - 18	6	8	N/A
70R4791S	RD-5-8195-0P	7/8" - 18	10	12	N/A

Straight Female O-Ring

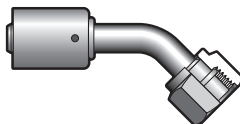
Step-Up



	Factory No.	Thread	Fitting Size	Hose Size	Port
70R4606S	RD-5-8283-0P	5/8" - 18	6	8	N/A
70R4606 LS	RD-5-7534-0P	5/8" - 18	6	8	N/A
70R4608S	RD-5-8284-0P	3/4" - 16	8	10	N/A
70R4608 LS	RD-5-7421-0P	3/4" - 16	8	10	N/A
70R4601S	RD-5-7495-0P	7/8" - 14	10	12	N/A
70R4601 LS	RD-5-7535-0P	7/8" - 14	10	12	N/A

45° Female O-Ring

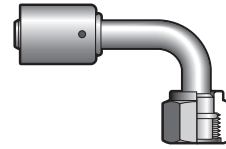
Step-Up



	Factory No.	Thread	Fitting Size	Hose Size	Port
70R4646S	RD-5-8285-0P	5/8" - 18	6	8	N/A
70R4641S	RD-5-7543-0P	7/8" - 14	10	12	N/A
70R4641 LS	RD-5-6493-0P	7/8" - 14	10	12	N/A

90° Female O-Ring

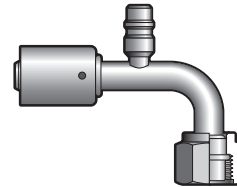
Step-Up



	Factory No.	Thread	Fitting Size	Hose Size	Port
70R4696S	RD-5-8286-0P	5/8" - 18	6	8	N/A
70R4696 LS	RD-5-6520-0P	5/8" - 18	6	8	N/A
70R4698S	RD-5-8463-0P	3/4" - 16	8	10	N/A
70R4698 LS	RD-5-7445-0P	3/4" - 16	8	10	N/A
70R4691S	RD-5-6978-0P	7/8" - 14	10	12	N/A
70R4691 LS	RD-5-6562-0P	7/8" - 14	10	12	N/A

90° Female O-Ring

Step-Up with R134a Charge Port



	Factory No.	Thread	Fitting Size	Hose Size	Port
70R5091S	RD-5-7641-0P	7/8" - 14	10	12	13mm

LS = Limited to stock on hand
 Plain (no suffix) = aluminum S= Steel

REFRIGERANT HOSE FITTINGS

For all Refrigerant Fittings be sure to use Red Dot Refrigerant Hose or equivalent.

REDUCED BEAD LOCK O-RING FITTINGS

Straight Splicer

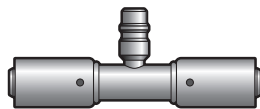
Reduced Bead Lock



	Factory No.	Thread	Fitting Size	Hose Size	Port
70R9016S	RD-5-8916-OP	6 X 6	6	6	N/A
70R9018S	RD-5-8917-OP	8 X 8	8	8	N/A
70R9011S	RD-5-8918-OP	10 X 10	10	10	N/A
70R9012S	RD-5-8941-OP	12 X 12	12	12	N/A

Straight Splicer

Reduced Bead Lock with R134a Charge Port



	Factory No.	Thread	Fitting Size	Hose Size	Port
70R9076S	RD-5-8919-OP	6 X 6	6	6	16mm
70R9078S	RD-5-8920-OP	8 X 8	8	8	16mm
70R9071S	RD-5-8921-OP	10 X 10	10	10	13mm
70R9072S	RD-5-8952-OP	12 X 12	12	12	13mm

Straight Male O-Ring

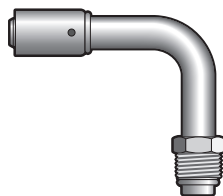
Reduced Bead Lock



	Factory No.	Thread	Fitting Size	Hose Size	Port
70R9306S	RD-5-8910-OP	5/8" - 18	6	6	N/A
70R9308S	RD-5-8911-OP	3/4" - 18	8	8	N/A
70R9301S	RD-5-8912-OP	7/8" - 18	10	10	N/A
70R9312S	RD-5-12310-OP	1 1/16" - 16	12	12	N/A

90° Male O-Ring

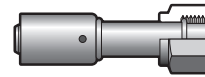
Reduced Bead Lock



	Factory No.	Thread	Fitting Size	Hose Size	Port
70R9396S	RD-5-8913-OP	5/8" - 18	6	6	N/A
70R9398S	RD-5-8914-OP	3/4" - 18	8	8	N/A
70R9391S	RD-5-8915-OP	7/8" - 18	10	10	N/A
70R9392S	RD-5-12311-OP	1 1/16" - 16	12	12	N/A

Straight Female O-Ring

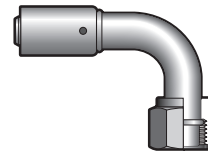
Reduced Bead Lock



	Factory No.	Thread	Fitting Size	Hose Size	Port
70R9408S	RD-5-8899-OP	3/4" - 16	8	8	N/A
70R9401S	RD-5-8900-OP	7/8" - 14	10	10	N/A
70R9402S	RD-5-8939-OP	1 1/16" - 14	12	12	N/A

90° Female O-Ring

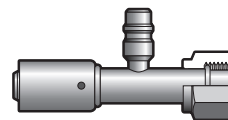
Reduced Bead Lock



	Factory No.	Thread	Fitting Size	Hose Size	Port
70R9496S	RD-5-8904-OP	5/8" - 18	6	6	N/A
70R9498S	RD-5-12246-OP	3/4" - 16	8	8	N/A
70R9491S	RD-5-8906-OP	7/8" - 14	10	10	N/A
70R9492S	RD-5-8940-OP	1 1/16" - 14	12	12	N/A

Straight Female O-Ring

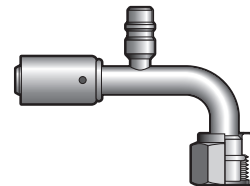
Reduced Bead Lock with R134a Charge Port



	Factory No.	Thread	Fitting Size	Hose Size	Port
70R9906S	RD-5-8901-OP	5/8" - 18	6	6	16mm
70R9908S	RD-5-8902-OP	3/4" - 16	8	8	16mm
70R9901S	RD-5-8903-OP	7/8" - 14	10	10	13mm
70R9902S	RD-5-12312-OP	1 1/16" - 14	12	12	13mm

90° Female O-Ring

Reduced Bead Lock with R134a Charge Port



	Factory No.	Thread	Fitting Size	Hose Size	Port
70R9996S	RD-5-8907-OP	5/8" - 18	6	6	16mm
70R9991S	RD-5-8909-OP	7/8" - 14	10	10	13mm
70R9998S	RD-5-8909-OP	3/4" - 16	8	8	16mm

Plain (no suffix) = aluminum S= Steel

REFRIGERANT HOSE FITTINGS

For all **Refrigerant Fittings** be sure to use **Red Dot Refrigerant Hose** or equivalent.

REDUCED BEAD LOCK STEP-UP O-RING FITTINGS

Straight Male O-Ring

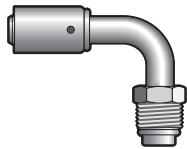
Step-Up with Reduced Bead Lock



	Factory No.	Thread	Fitting Size	Hose Size	Port
70R9706S	RD-5-12313-0P	5/8" - 18	6	8	N/A
70R9708S	RD-5-12314-0P	3/4" - 18	8	10	N/A
70R9701S	RD-5-8957-0P	7/8" - 18	10	12	N/A

90° Male O-Ring

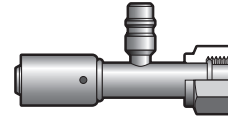
Step-Up with Reduced Bead Lock



	Factory No.	Thread	Fitting Size	Hose Size	Port
70R9796S	RD-5-12315-0P	5/8" - 18	6	8	N/A
70R9791S	RD-5-8951-0P	7/8" - 18	10	12	N/A

Straight Female O-Ring

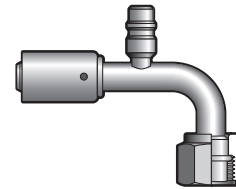
Step-Up with R134a Charge Port & Reduced Bead Lock



	Factory No.	Thread	Fitting Size	Hose Size	Port
70R9001S	RD-5-8955-0P	7/8" - 14	10	12	13mm

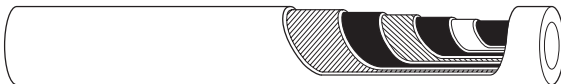
90° Female O-Ring

Step-Up with R134a Charge Port & Reduced Bead Lock



	Factory No.	Thread	Fitting Size	Hose Size	Port
70R9091S	RD-5-8956-0P	7/8" - 14	10	12	13mm

RED DOT REDUCED O.D. BARRIER HOSE



DAYCO NYLON BARRIER HOSE

The DAYCO OEM 3054 has thinner-wall construction that offers improved flexibility and reduced weight without sacrificing permeation resistance and burst strength.

Part No.	Factory No.	SAE Hose Size	I.D.	Max. O.D.	Length
78R9466	RD-5-12106-600P	#6	5/16"	39/64"	50 ft. Box
78R9468	RD-5-12108-600P	#8	13/32"	45/64"	50 ft. Box
78R9461	RD-5-12110-600P	#10	1/2"	25/32"	50 ft. Box
78R9462	RD-5-12112-600P	#12	5/8"	61/64"	50 ft. Box
78R9464	RD-5-12114-600P	#14	3/4"	1"	50 ft. Box
78R9416	RD-5-15716-0P	#16	13/16"	1 1/4"	800 ft. Spool

Plain (no suffix) = aluminum S= Steel

REFRIGERANT HOSE FITTINGS

For all **Refrigerant Fittings** be sure to use **Red Dot Refrigerant Hose** or equivalent.

CRIMP TOOLS

79R1560 RD-5-11225-0P

Bubble Crimp Kit for use with Air Impact Wrench



79R1565 RD-5-11232-0P

Bubble Crimp Kit with Hydraulic Hand Pump and 6' Hose

DROP SHIP ONLY



79R1520 RD-5-7731-0P

Hydraulic Hand Pump And 6' Hose With Male Quick Disconnect



79R1525 RD-5-7732-0P

HYDRAULIC CYLINDER
Retro Fit Hydraulic Cylinder For 79R1510, Bubble Crimp Kit With Female Quick Disconnect



CRIMP TOOL REPLACEMENT PARTS

79R1560	79R1565 / 79R1510 / 79R1515		
	79R1502	RD-5-7788-0P	Actuator Screw
	79R1503	RD-5-7787-0P	Strain Rod Set (2)
	79R1504	RD-5-7786-0P	Latch Plate
	79R1505	RD-5-8481-0P	Actuator Bar
79R1531 RD-5-11230-0P			Standard Crimp Die #10 and Reduced #12
79R1532 RD-5-11231-0P	79R1532	RD-5-11231-0P	Standard Crimp Die #12
79R1536 RD-5-11227-0P			Standard Crimp Die #6 to Reduced Bead Crimp Die #8
79R1538 RD-5-11228-0P	79R1538	RD-5-11228-0P	Standard Crimp Die #8
79R1541 RD-5-11229-0P	79R9521	RD-5-8897-0P	Reduced Bead Crimp Die #10
79R1546 RD-5-11226-0P	79R9516	RD-5-8895-0P	Reduced Bead Crimp Die #6

FITTINGS

RED DOT REFRIGERANT HOSE

Galaxy 4826 Barrier Hose Type C Class II



RED DOT INTERNAL NYLON BARRIER

REDUCED OZONE PERMEATION.

Internal Nylon Barrier hose is specifically designed to reduce the permeation level of ozone-depleting refrigerant and chemicals in heavy duty air conditioning systems.

"UNIVERSAL" COMPATIBILITY.

Extensive testing has shown Red Dot Refrigerant Hose to be compatible with today's state-of-the-art refrigerants, including R-12, R-134a and Ternary Blends.

Part No.	Factory No.	SAE Hose Size	I.D.	Max. O.D.	Length
78R0456	RD-5-5006-600P	#6	5/16"	3/4"	50 ft. Box
78R0456SP	RD-5-5006-0P	#6	5/16"	3/4"	825 ft. Spool
78R0458	RD-5-5008-600P	#8	13/32"	29/32"	50 ft. Box
78R0458SP	RD-5-5008-0P	#8	13/32"	29/32"	725 ft. Spool
78R0451	RD-5-5010-600P	#10	1/2"	1"	50 ft. Box
78R0451SP	RD-5-5010-0P	#10	1/2"	1"	700 ft. Spool
78R0452	RD-5-5012-600P	#12	5/8"	1 1/8"	50 ft. Box
78R0452SP	RD-5-5012-0P	#12	5/8"	1 1/8"	525 ft. Spool

NOTE: For use with Bead Lock or "Bubble Style" Crimp Fittings

LS = Limited to stock on hand

REFRIGERANT HOSE FITTINGS & ACCESSORIES

FLARE ADAPTERS

(LONG PILOT) Originally Designed by Red Dot
Shipped 10 / Package

70R3006 – RD-2-0750-0M
#6 O-Ring to #6 45° Flare

70R3008 – RD-2-0861-0M
#8 O-Ring to #8 45° Flare

70R3001 – RD-2-1495-0M
#10 O-Ring to #10 45° Flare



CONDENSER REPAIR FITTINGS

Fittings fit directly onto the end of 3/8" copper tubes used on Red Dot condensers

Brass Condenser Fitting

70R3206 #6
RD-4177-0P

70R3208 #8
RD-4179-0P

70R3201 #10
RD-5-3849-1P



Aluminum Condenser Fitting

70R3406 #6
RD-4-3364-0P

70R3408 #8
RD-4-3365-0P



EVAPORATOR REPAIR FITTINGS

Universal Evaporator Repair Parts for Red Dot Evaporators

70R3256 RD-4296-0M

#8 Male O-Ring Swivel Fitting
10 per Package



70R3258 RD-4322-1P

#10 Male O-Ring Swivel Fitting
1 per Package



70R7050 RD-4317-6M

Fitting Neck: #8 Length: 2 1/4"
10 per Package



QUICK DISCONNECT FITTINGS

70R3803 RD-5-9777-0P

Quick Disconnect #6 O-Ring



70R3906 RD-2-0871-2P

Quick Disconnect #6 Male O-Ring (5 7/16" long)
1" diameter mounting hole required
Some assembly required



70R3901 RD-2-0872-2P

Quick Disconnect #10 Male O-Ring (6 1/16" long)
1 1/2" diameter mounting hole required
Some assembly required
Replaces Cat #5P-3929



NOTE: For component removal (such as evaporator unit) without loss of refrigerant from A/C system

EZ CLIP to QUICK DISCONNECT FITTING ADAPTERS

70R3908 RD-2-4844-0P

#8 EZ-Clip male fitting to #6 quick disconnect female adapter (converts 70R3906 above) Includes cage and clips



70R3912 RD-2-4845-0P

#12 EZ-Clip male fitting to #10 quick disconnect female adapter (converts 70R3901 above) Includes cage and clips



SCHRADER ADAPTER FITTING

70R5100 RD-5-6098-0M

3/8-24 UNF-2A Male Thread with Bulkhead Type Seal
Using a 2-012 O-Ring for Installation in Receiver Drier Pressure Ports
10 per package



70R5110 RD-5-6691-0M

Refrigeration Valve Core for Schrader Valves
10 per package



70R5115 RD-5-9084-0M

Valve Core for 134A Fittings – High Flow
10 per package



70R5120 RD-5-9809-0M

Eaton 13mm SSV High Flow High Side
10 per package



70R5125 RD-5-9810-0M

Eaton 16mm SSV High Flow Low Side
10 per package



79R8945 RD-5-12674-0P

High Flow Schrader Core Remover/Installer Tool



BRAZE-ON M10 ACCESS VALVES

Must use 70R5110 valve core and 70R5056 O-ring to complete installation.

70R5103 RD-5-7759-0M

Schrader Valve with M10 Thread with .188 Radius Saddle for use on #6 tube
10 per package



70R5105 RD-5-8984-0M

Schrader Valve with M10 Thread with .250 Radius Saddle for use on #8 tube
10 per package



REFRIGERANT HOSE FITTINGS & ACCESSORIES

HOSE CLAMPS

70R5550* RD-5-4035-10M

5/8" Heater Hose Clamp



70R5565* RD-5-4476-12M

#12 size Double Silicone Hose Clamp



70R5600* RD-5-4035-16M

3/4" Heater Hose Clamp



70R5650 RD-5-4035-52P

3 3/4" Defrost Hose Clamp



70R5701* RD-5-3791-0P

#10 Size Single Hose Clamp



70R5702* RD-5-6865-0M

#12 Size Single Hose Clamp



70R5706* RD-5-4665-0M

#6 Size Single Hose Clamp



70R5708* RD-5-4666-0M

#8 Size Single Hose Clamp



70R5718 RD-5-5256-0M

#8 Size Single Hose Clamp



70R5770 RD-5-4400-0P

Double Hose Clamp



RED DOT HEATER HOSE CONNECTORS AND ADAPTERS**

70R7100 RD-4130-1P

5/8" Hose to 5/8" Hose—Straight



70R7200 RD-5-3876-1P

3/4" Hose to 3/4" Hose—Straight



70R7110 RD-5-5525-0P

5/8" Hose to 3/4" Hose Setup



70R7115 RD-5-5305-0P

5/8" Hose to 5/8" Hose Rubber Elbow



70R7150 RD-4366-0P

5/8" Hose to 5/8" Hose 90° Elbow



70R7170 RD-1-0662-0P

5/8" to 5/8" Hose 90° Elbow - 8 1/4" x 6"



70R7175 RD-1-0662-2P

5/8" to 5/8" Hose 90° Elbow - 9 1/4" x 7"



70R7250 RD-5-4471-0P

3/4" Hose to 3/4" Hose 90° Elbow



70R7270 RD-1-0661-0P

5/8" to 3/4" Hose 90° Elbow Setup



70R7310 RD-1-0795-0P

Tee 5/8" & 3/4" to 5/8" & 3/4"



70R7500 RD-5-3746-1P

1/2" NPT to 5/8" Hose Straight



70R7550 RD-5-3686-0P

1/2" NPT to 5/8" Hose 90° Elbow



70R7600 RD-1-0425-0P

#8 O-Ring to 5/8" Hose Straight



70R7650 RD-1-0426-0P

#8 O-Ring to 5/8" Hose 90° Elbow



70R7750 RD-5-3686-1P

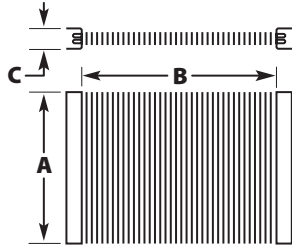
3/4" NPT to 5/8" Hose 90° Elbow



NOTE: All hose dimensions are inside dimensions NPT = National Pipe Thread * 10 per package ** For use with 78R0100 Heater Hose..

FITTINGS

HEATER CORE SPECIFICATIONS



Listed in ascending order by **Height** measured along the fin X **Length** of coil is the fin segment between header plates X **Width** is the coils "thickness"

[A] Height	[B] Length	[C] Width	Inlet	Outlet	Used On Red Dot Models	Part No.	Factory No.
4	10 3/4	1 7/8	#8 Male "O" Ring	#8 Male "O" Ring	R-2020	76R0500	RD-1-0427-0P
4	19 1/8	1 7/8			R-9750	76R1000	RD-1-0726-0P
5 1/8	15 3/8	2 7/8	#8 Male "O" Ring	#8 Male "O" Ring	R-8500, R-10035-0, -1, -2, -3, -4	76R1030	RD-1-0830-0P
6	6	1 7/8			R-254-0, R-256, R-290-0	76R1100	RD-1-0355-0P
6	6	1 7/8	3/4" O.D. Nipple	3/4" O.D. Nipple	R-254-1	76R1110	RD-1-0355-1P
6	6	1 7/8			R-254-4, R-290-4	76R1120	RD-1-0355-4P
6	6	3 11/32			R-7550-1	76R1550	RD-1-1401-0P
6	11	2				76R3495	RD-5-14621-0P
6	11	2 3/16			R-1630	76R2740	RD-1-2069-0P
6	12 7/16	1 7/8			R-255-0, R-295	76R1400	RD-1-0355-2P
6	12 7/16	1 7/8	3/4" O.D. Nipple	3/4" O.D. Nipple	R-255-1	76R1410	RD-1-0355-3P
6	12 7/16	1 7/8			R-255-4, R-295-4	76R1450	RD-1-0355-5P
6	13 1/2	1 7/8			R-8545	76R1510	RD-1-0771-1P
6	15	2 5/32			R-3300	76R1600	RD-1-0799-0P
6	18 5/8	2 1/4			R-9777	76R1560	RD-1-1755-0P
6 7/64	16 1/2	2 11/64			R-2825	76R4100	RD-1-2333-0P
6 7/64	23 19/64	1 1/2			R-3960	76R1710	RD-1-1485-0P
6 7/64	23 29/64	1 1/2			R-9475	76R4200	RD-1-1478-0P
7	8 1/4	2 1/2			R-5050 with Drainpan, R-8050, R-8150, R-8820	76R1900	RD-1-0615-1P
7	8 1/2	2 1/2			R-8820-2	76R2010	RD-1-0958-0P
7	17 1/2	2 5/32			R-9800	76R1870	RD-1-1480-0P
7 1/2	13	1 3/4				76R6020	RD-5-14622-0P
7 7/64	17 1/2	2 5/32			R-9737-3, R-9757	76R1860	RD-1-1379-0P
7 7/16	11	2				76R5711	RD-1-11524-0P
8	5 5/8	2 1/2			R-3911	76R2300	RD-1-0333-0P
8	5 5/8	2 7/8			R-4290	76R2320	RD-1-0755-0P
8	5 5/8	2 7/8			R-4190, R-4290	76R2330	RD-1-0752-0P
8	7 5/16	2 7/8			R-4120, R-4122, R-4160	76R2450	RD-1-0665-0P
8	7 7/8	2 7/8			R-1500	76R2360	RD-1-0820-0P
8	7 7/8	2 7/8			R-4190	76R2340	RD-1-0752-1P
8	8	2 1/2			R-4130	76R2350	RD-1-0574-0P
8	8	2 1/2			R-4170	76R2400	RD-1-0563-0P
8	9	2 1/2			R-5060, R-5075, R-10170	76R2500	RD-1-0460-1P
8	9	2 1/2			R-4013H, R-8810	76R2600	RD-1-0147-0P
8	9	2 7/8			R-3180	76R2730	RD-1-0746-0P
8	11 1/8	2 1/2	3/8" NPT Inlet	1/2" NPT Outlet	R-3040	76R3000	RD-1-0266-1P
8	12	2 1/2			R-5130	76R3250	RD-1-0650-0P
8	12 11/16	1 7/8			R-7070	76R3300	RD-1-0550-0P
8	13	1 1/2			R-1620, R-9510	76R3420	RD-1-1603-0P
8	14 5/16	2 1/2			R-6080	76R3450	RD-1-0520-0P
8	14 1/2	2 1/2			R-5180	76R3460	RD-1-0715-0P
8	14 9/16	2 1/2			R-4000	76R3400	RD-1-0388-0P

HEATER CORES

LS = Limited to stock on hand
All heater cores have 3/8" O.D. inlet and outlet nipples unless noted.

HEATER CORES

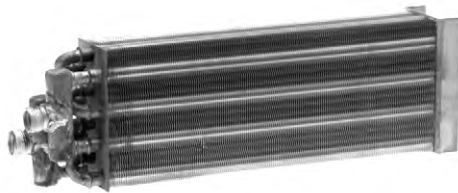
Listed in ascending order by **Height** measured along the fin X **Length** of coil is the fin segment between header plates X **Width** is the coils "thickness"

[A] Height	[B] Length	[C] Width	Inlet	Outlet	Used On Red Dot Models	Part No.	Factory No.
8	15	1 7/8			R-4010, R-5040, R-5045, R-5075, R-10170	76R3500	RD-1-0325-0P
8	17 1/2	2 1/4			R-3500	76R3920	RD-1-1281-0P
8	20	2 1/2			R-6125	76R3905	RD-3-10194-0P
8	23 29/64	2 1/8			R-9787	76R4300	RD-1-1614-0P
8	23 29/64	1 1/2			R-9787	76R4305	RD-1-1975-0P
8 7/64	7 29/32	2 1/2			R-4230	76R2410	RD-1-0822-0P
8 7/64	9 21/32	2 1/2			R-3510	76R2550	RD-1-1326-0P
8 7/64	15 3/64	2 3/64			R-2520	76R3470	RD-1-1364-0P
8 1/8	6 3/8	2 5/8			R-4020	76R2210	RD-1-0371-1P
8 1/8	13	1 1/2			R-9520	76R3465	RD-1-2006-0P
10	9	1 7/8			R-8220, R-8230	76R3910	RD-1-0700-0P
10	9	2 1/8			R-8720	76R3900	RD-1-0680-0P
10	9	2 1/2			R-5150	76R3930	RD-1-0744-0P
10	10 3/16	2 5/32			R-6135, Orion 071320036, 058, 151	76R3940	RD-1-2079-0P
10	12	2 5/32			R-2550	76R4020	RD-1-1748-0P
10 5/64	11	2 3/4			R-5275, R-5260	76R4023	RD-1-1965-0P
10 7/64	11	2 1/2			R-2560	76R2420	RD-1-1201-0P
10 7/64	13	2 5/32			R-9450	76R3455	RD-1-1370-0P
10 7/64	17 3/4	3 13/32			R-7160, Thomas Bus	76R3943	RD-1-2379-0P
12	6 3/8	2			Freightliner Applications	76R2155	RD-1-2557-0P
12	11	2 1/2			R-4140	76R4000	RD-1-0600-0P
12 1/8	6 1/4	2 1/4			R-6140, Gillig model 21-42075	76R3950	RD-1-1919-0P
						76R3475	RD-5-14620-0P

76R0500

RD-1-0427-0P

Used on Red Dot Unit Model R-2020
4" high x 10 3/4" long x 1 7/8" wide
#8 Male "O" Ring



76R1030

RD-1-0830-0P

Used on Red Dot Unit Model R-8500, R-10035-0,-1,-2,-3,-4
5 1/8" high x 15 1/2" long x 2 7/8" wide
#8 Male "O" Ring



76R1000

RD-1-0726-0P

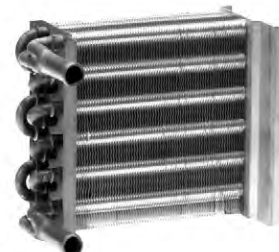
Used on Red Dot Unit Model R-9750
4" high x 19 1/8" long x 1 7/8" wide



76R1100

RD-1-0355-0P

Used on Red Dot Unit Models R-254-0, R-256, R-290-0
6" high x 6" long x 1 7/8" wide



HEATER CORES

76R1110

RD-1-0355-1P

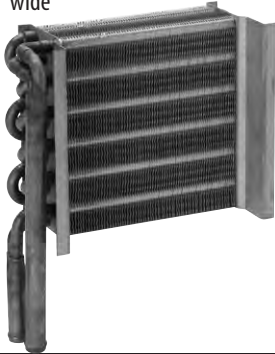
Used on Red Dot Unit Model R-254-1
6" high x 6" long x 1 7/8" wide
3/4" O.D. Nipples



76R1120

RD-1-0355-4P

Used on Red Dot Unit Models R-254-4, R-290-4
6" high x 6" long x 1 7/8" wide



76R1400

RD-1-0355-2P

Used on Red Dot Unit Models R-255-0, R-295
6" high x 12 7/16" long x 1 7/8" wide



76R1410

RD-1-0355-3P

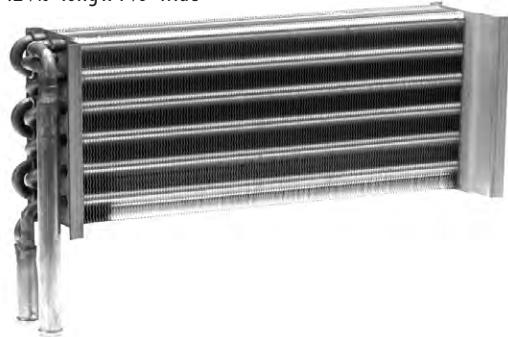
Used on Red Dot Unit Model R-255-1
6" high x 12 7/16" long x 1 7/8" wide
3/4" O.D. Nipples



76R1450

RD-1-0355-5P

Used on Red Dot Unit Models R-255-4, R-295-4
6" high x 12 7/16" long x 1 7/8" wide



76R1510

RD-1-0771-1P

Used on Red Dot Unit Model R-8545
6" high x 13 1/2" long x 1 7/8" wide



76R1550

RD-1-1401-0P

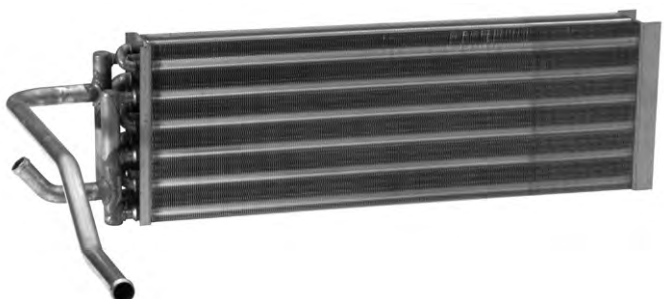
Used on Red Dot Unit Model R-7550-1
6" high x 6" long x 3 1/2" wide



76R1560

RD-1-1755-0P

Used on Red Dot Unit Model R-9777
6" high x 18 5/8" long x 2 1/4" wide



HEATER CORES

76R1600

RD-1-0799-0P

Used on Red Dot Unit Model R-3300
6" high x 15" long x 2 1/2" wide



76R1900

RD-1-0615-1P

Used on Red Dot Unit Model R-5050, R-8050, R-8150, R-8820 with Drainpan
7" high x 8 1/4" long x 2 1/2" wide



76R1710

RD-1-1485-0P

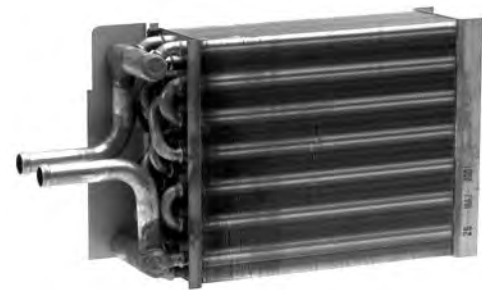
Used on Red Dot Unit Model R-3960
6 3/4" high x 23 13/64" long x 1 1/2" wide



76R2010

RD-1-0958-0P

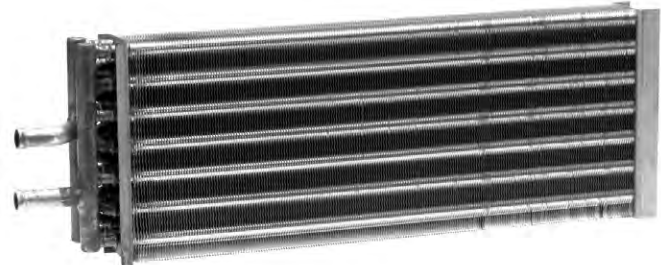
Used on Red Dot Unit Model R-8820-2
7" high x 8 1/2" long x 2 1/2" wide



76R1860

RD-1-1379-0P

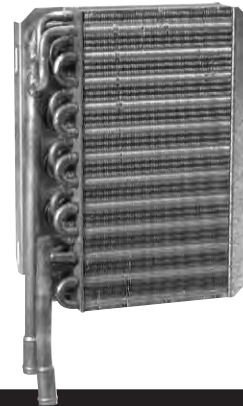
Used on Red Dot Unit Models R-9737-3, R-9757
7 3/4" high x 17 1/2" long x 2 1/2" wide



76R2155

RD-1-2557-0P

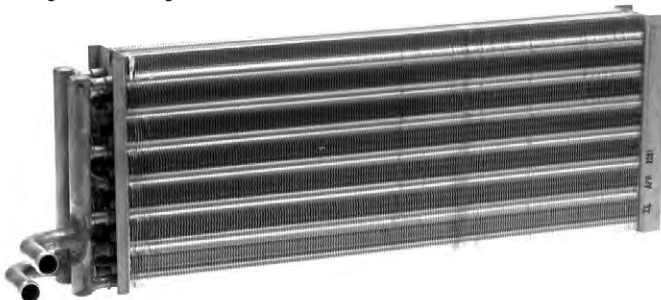
See Freightliner Applications
12" high x 6 3/8" long x 2" wide



76R1870

RD-1-1480-0P

Used on Red Dot Unit Model R-9800
7" high x 17 1/2" long x 2 1/2" wide



76R2210

RD-1-0371-1P

Used on Red Dot Unit Model R-4020
8 1/8" high x 6 3/8" long x 2 5/8" wide

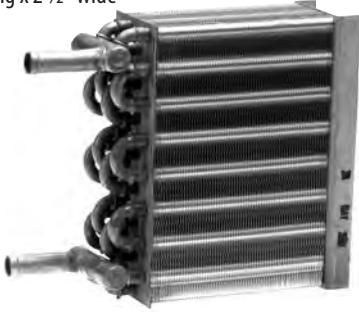


HEATER CORES

76R2300

RD-1-0333-0P

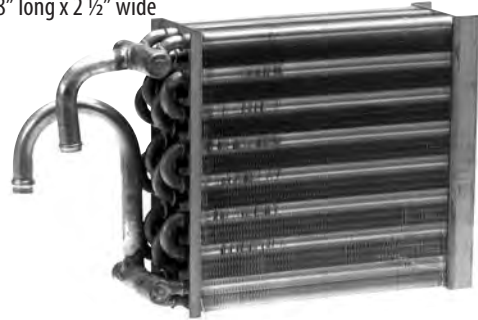
Used on Red Dot Unit Model R-3911
8" high x 5 5/8" long x 2 1/2" wide



76R2350

RD-1-0574-0P

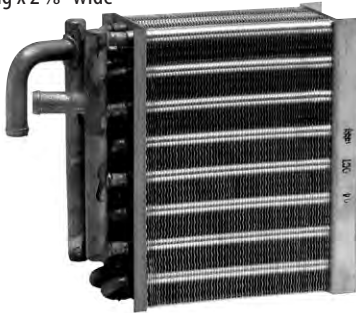
Used on Red Dot Unit Model R-4130
8" high x 8" long x 2 1/2" wide



76R2320

RD-1-0755-0P

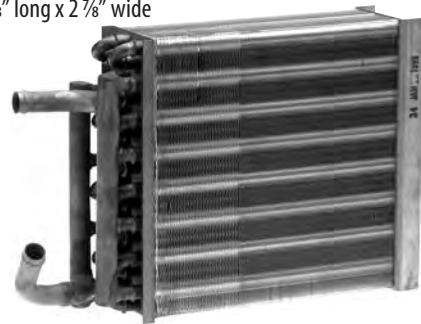
Used on Red Dot Unit Model R-4290
8" high x 5 5/8" long x 2 7/8" wide



76R2360

RD-1-0820-0P

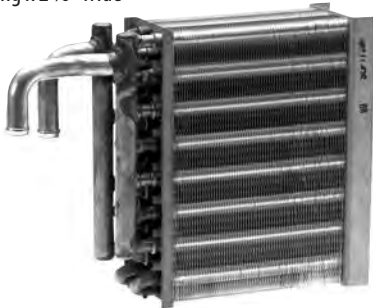
Used on Red Dot Unit Model R-1500
8" high x 7 7/8" long x 2 7/8" wide



76R2330

RD-1-0752-0P

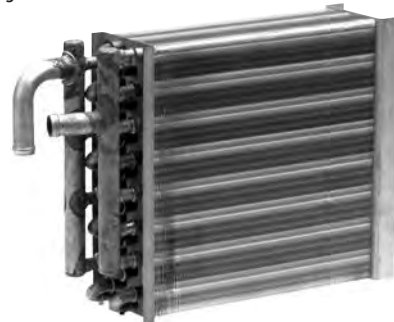
Used on Red Dot Unit Model R-4190, R-4290
8" high x 5 5/8" long x 2 7/8" wide



76R2400

RD-1-0563-0P

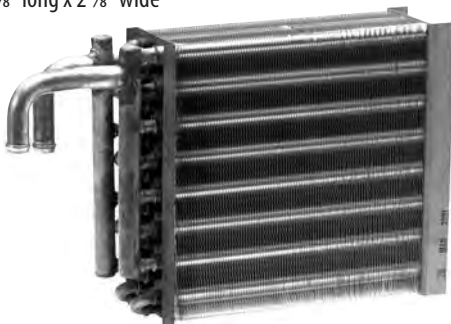
Used on Red Dot Unit Model R-4170, R-4190
8" high x 8" long x 2 1/2" wide



76R2340

RD-1-0752-1P

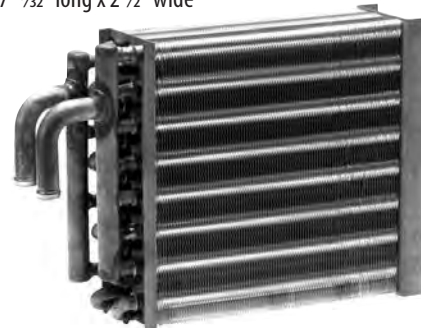
Used on Red Dot Unit Model R-4190
8" high x 7 7/8" long x 2 7/8" wide



76R2410

RD-1-0822-0P

Used on Red Dot Unit Model R-4230
8 7/64" high x 7 29/32" long x 2 1/2" wide



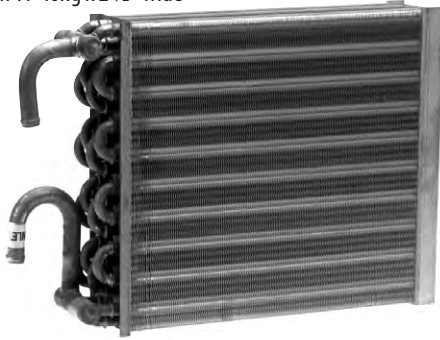
HEATER CORES

LS = Limited to stock on hand

76R2420

RD-1-1201-0P

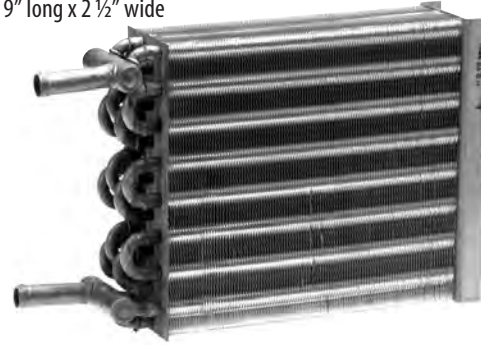
Used on Red Dot Unit Model R-2560, Western Star OE#60004-3403
10 7/8" high x 11" long x 2 1/2" wide



76R2600

RD-1-0147-1P

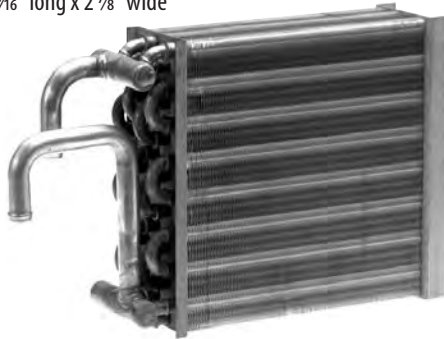
Used on Red Dot Unit Models R-4013H, R-8810
8" high x 9" long x 2 1/2" wide



76R2450

RD-1-0665-0P

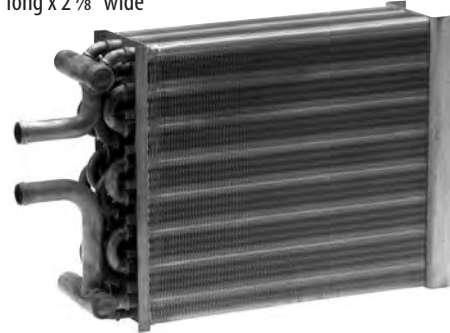
Used on Red Dot Unit Models R-4120, R-4122, R-4160
8" high x 7 5/8" long x 2 7/8" wide



76R2730

RD-1-0746-0P

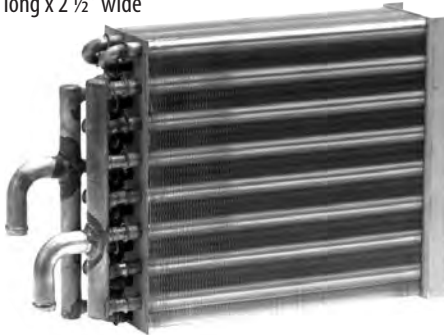
Used on Red Dot Unit Model R-3180
8" high x 9" long x 2 7/8" wide



76R2500

RD-1-0460-1P

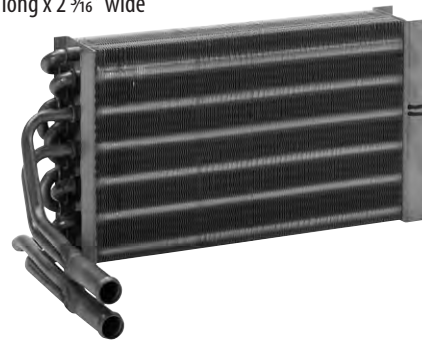
Used on Red Dot Unit Model R-5060, R-5075, R-10170
8" high x 9" long x 2 1/2" wide



76R2740

RD-1-2069-0P

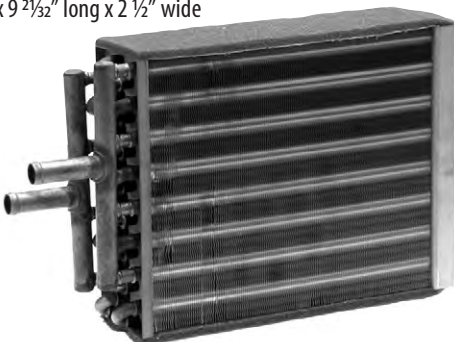
Used on Red Dot Unit Model R-1630
6" high x 11" long x 2 3/8" wide



76R2550

RD-1-1326-0P

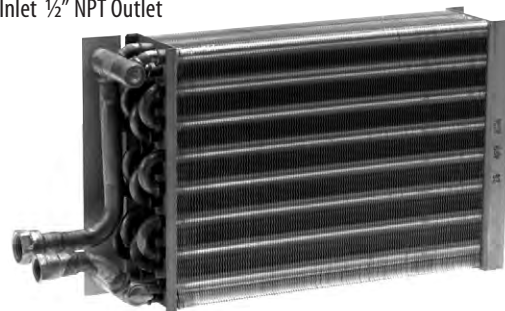
Used on Red Dot Unit Model R-3510
8 7/8" high x 9 23/32" long x 2 1/2" wide



76R3000

RD-1-0266-1P

Used on Red Dot Unit Model R-3040
8" high x 11 1/8" long x 2 1/2" wide
3/8" NPT Inlet 1/2" NPT Outlet

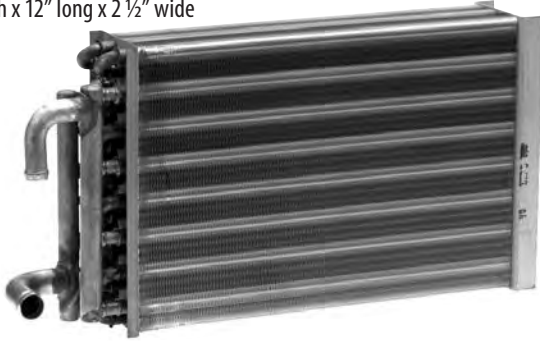


HEATER CORES

76R3250

RD-1-0650-0P

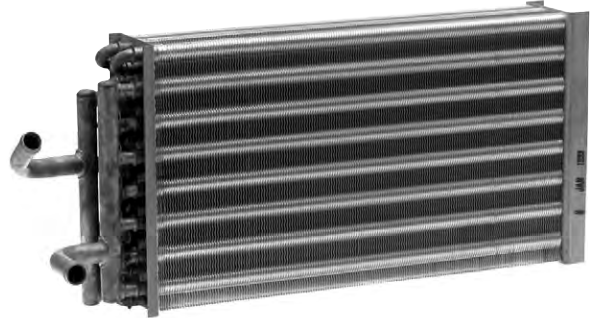
Used on Red Dot Unit Model R-5130
8" high x 12" long x 2 1/2" wide



76R3450

RD-1-0520-0P

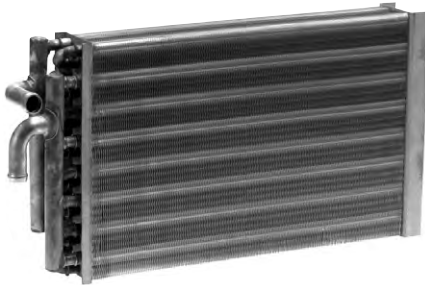
Used on Red Dot Unit Model R-6080
8" high x 14 5/8" long x 2 1/2" wide



76R3300

RD-1-0550-0P

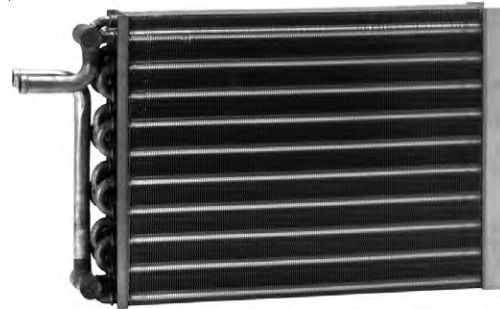
Used on Red Dot Unit Model R-7070
8" high x 12 1/4" long x 1 7/8" wide



76R3455

RD-1-1370-0P

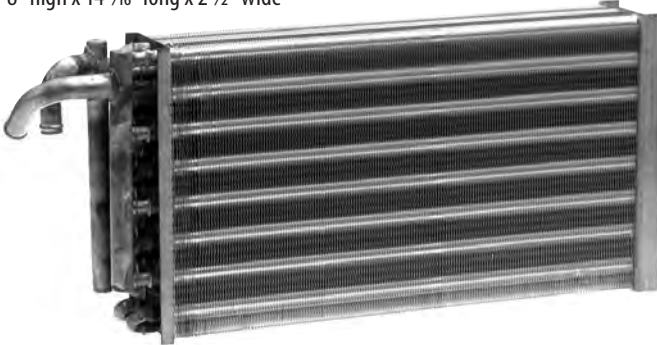
Used on Red Dot Unit Model R-9450
10 7/4" high x 13" long x 2 5/8" wide



76R3400

RD-1-0388-0P

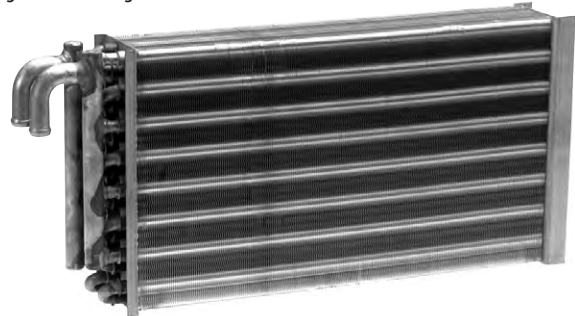
Used on Red Dot Unit Model R-4000
8" high x 14 5/8" long x 2 1/2" wide



76R3460

RD-1-0715-0P

Used on Red Dot Unit Model R-5180
8" high x 14 1/2" long x 2 1/2" wide



76R3420

RD-1-1603-0P

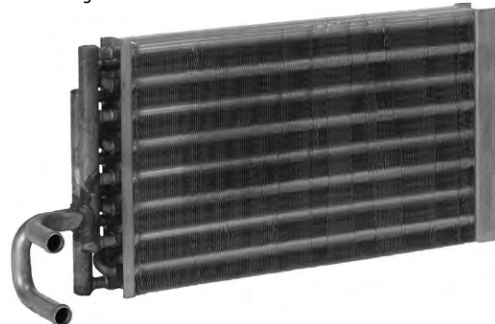
Used on Red Dot Unit Models R-1620, R-9510
8" high x 13" long x 1 1/2" wide



76R3465

RD-1-2006-0P

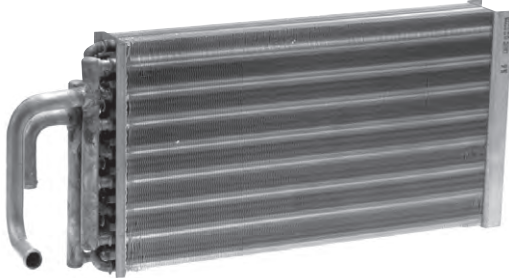
Used on Red Dot Unit Model R-9520
8 1/8" high x 14" long x 1 1/2" wide



76R3470

RD-1-1364-0P

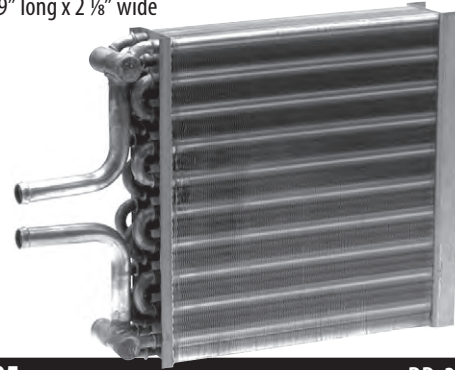
Used on Red Dot Unit Model R-2520
8 7/8" high x 15 3/4" long x 2 3/8" wide



76R3900

RD-1-0680-0P

Used on Red Dot Unit Model R-8720
10" high x 9" long x 2 1/8" wide

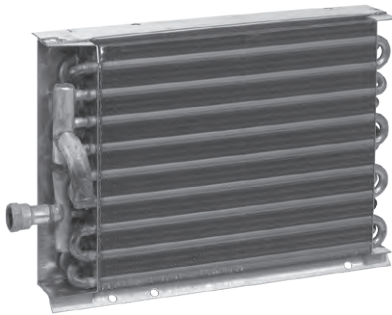


76R3475

RD-5-14620-0P

10" high x 13 1/2" long x 2 1/4" wide

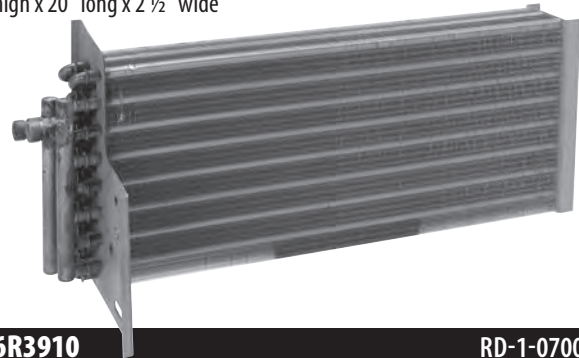
IH#501099C91



76R3905

RD-3-10194-0P

Used on Red Dot Unit Model R-6125
Orion Model 071310003, 071310011
8" high x 20" long x 2 1/2" wide

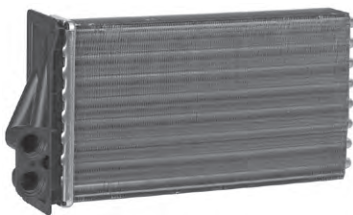


76R3495

RD-5-14621-0P

6" high x 11" long x 2" wide

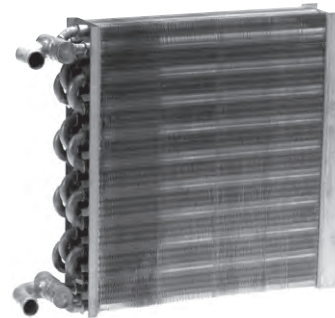
IH#3599598C1



76R3910

RD-1-0700-0P

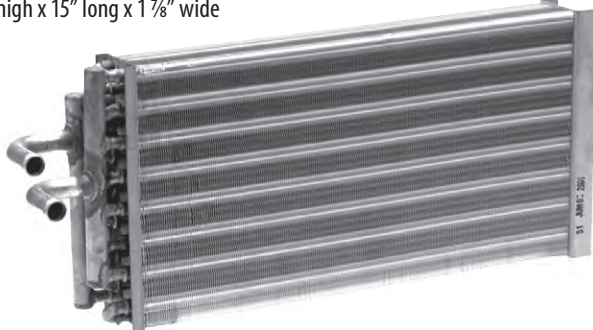
Used on Red Dot Unit Models R-8220, R-8230
10" high x 9" long x 1 7/8" wide



76R3500

RD-1-0325-0P

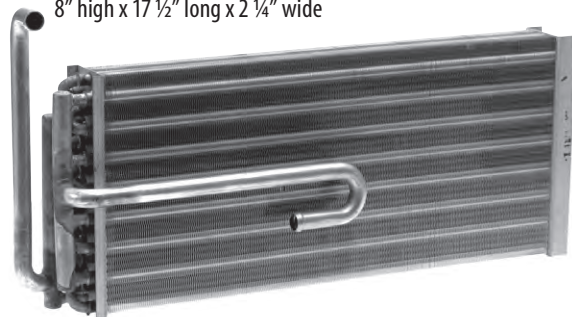
Used on Red Dot Unit Models R-4010, R-5040, R-5045, R-5075, R-10170
8" high x 15" long x 1 7/8" wide



76R3920

RD-1-1281-0P

Used on Red Dot Unit Model R-3500
8" high x 17 1/2" long x 2 1/4" wide

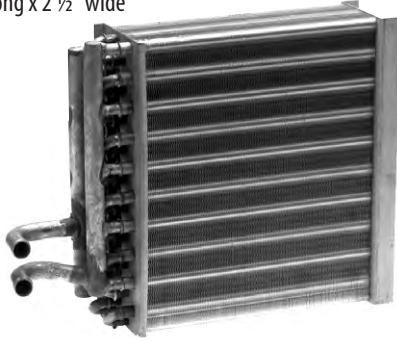


HEATER CORES

76R3930

RD-1-0744-0P

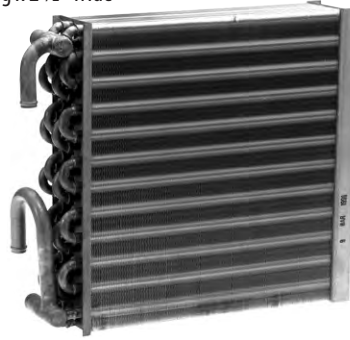
Used on Red Dot Unit Model R-5150
10" high x 9" long x 2 1/2" wide



76R4000

RD-1-0600-0P

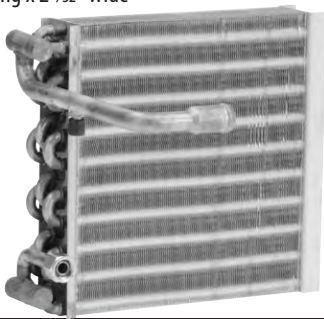
Used on Red Dot Unit Model R-4140
12" high x 11" long x 2 1/2" wide



76R3940

RD-1-2079-0P

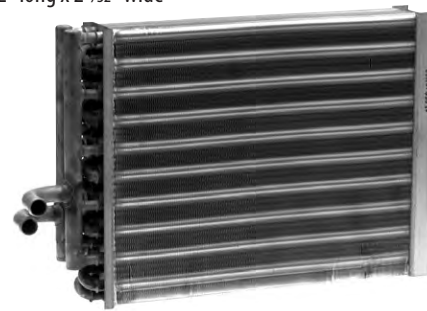
Red Dot Unit Model R-6135
Orion Model 071320036, 058, 151 Underseat heater
10" high x 10 3/8" long x 2 5/8" wide



76R4020

RD-1-1748-0P

Used on Red Dot Unit Model R-2550
10" high x 12" long x 2 5/8" wide



76R3943

RD-1-2379-0P

Red Dot Unit Model R-7160, Thomas Bus Applications
Orion Model 071330501
10 7/8" high x 17 3/4" long x 3 13/32" wide



76R4023

RD-1-1965-0P

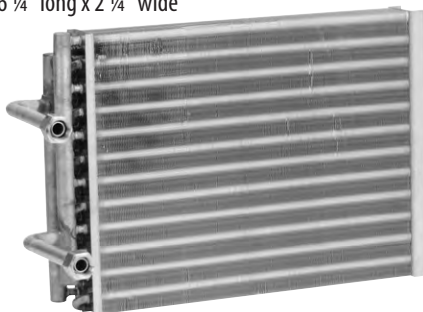
10 5/8" high x 11" long x 2 3/4" wide



76R3950

RD-1-1919-0P

Red Dot Unit Model R-6140
Gillig Model 21-42075
12 1/8" high x 6 1/4" long x 2 1/4" wide



76R4100

RD-1-2333-0P

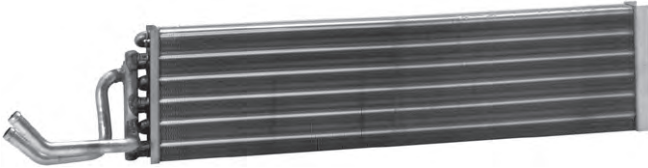
Used on Red Dot Unit Model R-2825
6 7/8" high x 16 1/2" long x 2 11/64" wide



76R4200

RD-1-1478-0P

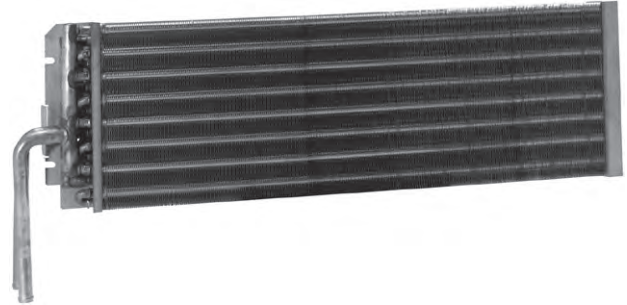
Used on Red Dot Unit Model R-9475
6 7/8" high x 23 29/64" long x 1 1/2" wide



76R4305

RD-1-1975-0P

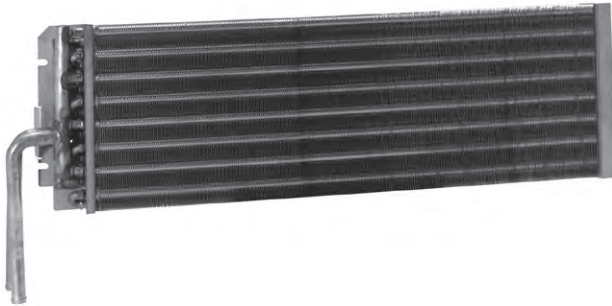
Used on Red Dot Unit Model R-9787 — Standard Version
8" high x 23 29/64" long x 1 1/2" wide



76R4300

RD-1-1614-0P

Used on Red Dot Unit Model R-9787 — High Flow Version
8" high x 23 29/64" long x 2 1/8" wide



76R6020

RD-5-14622-0P

7 1/2" high x 13" long x 1 3/4" wide

IH#3542604C3
3542604C2



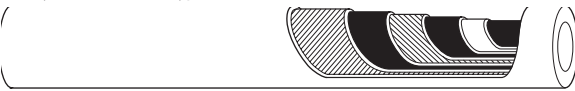
HOSES

HOSE INSTALLATION KIT INFORMATION

Part No	Factory No.	Length of Refrigerant Hose in Inches				Drier	Fitting / Hose
		#6	#8	#10	#12		
78R1025	RD-5-5015-4P	300	120	300	—	Yes	ATCO / Red Dot
78R1070	RD-5-5406-2P	300	300	198	—	—	ATCO / Red Dot
78R1505	RD-5-5014-1P		300	—	300	—	ATCO / Red Dot
78R1605	RD-5-3789-8P		300	300	—	—	ATCO / Red Dot
78R1705	RD-11-0092-2P	301	301	—	302	Yes	ATCO / Red Dot
78R1805	RD-5-3789-9P		300	—	300	—	ATCO / Red Dot
78R1027	RD-5-11864-1P	300	120	300	—	Yes	E-Z Clip Installation Kit - Fittings for use with Front Mount Condensers
78R1077	RD-5-14072-0P	300	300	198	—	—	E-Z Clip Installation Kit - Fittings for use with Rooftop Condensers

RED DOT REFRIGERANT HOSE

Galaxy 4826 Barrier Hose Type C Class II



RED DOT INTERNAL NYLON BARRIER

Reduced Ozone Permeation.

Internal Nylon Barrier hose is specifically designed to reduce the permeation level of ozone-depleting refrigerant and chemicals in heavy duty air conditioning systems.

“Universal” Compatibility.

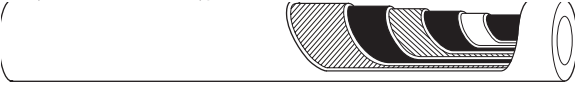
Extensive testing has shown Red Dot Refrigerant Hose to be compatible with today's state-of-the-art refrigerants, including R-12, R-134a and Ternary Blends.

Part No.	Factory No.	SAE Hose Size	I.D.	Max. O.D.	Length
78R0456	RD-5-5006-600P	#6	5/16"	3/4"	50 ft. Box
78R0456SP	RD-5-5006-0P	#6	5/16"	3/4"	825 ft. Spool
78R0458	RD-5-5008-600P	#8	13/32"	29/32"	50 ft. Box
78R0458SP	RD-5-5008-0P	#8	13/32"	29/32"	725 ft. Spool
78R0451	RD-5-5010-600P	#10	1/2"	1"	50 ft. Box
78R0451SP	RD-5-5010-0P	#10	1/2"	1"	700 ft. Spool
78R0452	RD-5-5012-600P	#12	5/8"	1 1/8"	50 ft. Box
78R0452SP	RD-5-5012-0P	#12	5/8"	1 1/8"	525 ft. Spool

For use with ATCO Bead Lock or “Bubble Style” Crimp Fittings

RED DOT REDUCED BARRIER HOSE

Galaxy SLE 4890 Barrier Hose Type C Class I



DAYCO NYLON BARRIER HOSE

Part No.	Factory No.	SAE Hose Size	I.D.	Max. O.D.	Length
78R9466	RD-5-12106-600P	#6	5/16"	39/64"	50 ft. Box
78R9468	RD-5-12108-600P	#8	13/32"	45/64"	50 ft. Box
78R9461	RD-5-12110-600P	#10	1/2"	25/32"	50 ft. Box
78R9462	RD-5-12112-600P	#12	5/8"	61/64"	50 ft. Box
78R9464	RD-5-12114-600P	#14	3/4"	1	50ft. Box
78R9416	RD-5-15716-0P	#16	13/16"	1 1/4"	800ft. Spool

See Bead Lock Fittings

RED DOT E-Z CLIP REFRIGERANT HOSE



Part No.	Factory No.	SAE Hose Size	I.D.	Max. O.D.	Length
78R8456	RD-5-10504-600P	#6	5/16"	37/64"	50 ft. box
78R8456SP	RD-5-10504-0P	#6	5/16"	37/64"	560 ft. spool
78R8458	RD-5-10505-600P	#8	13/32"	45/64"	50 ft. box
78R8458SP	RD-5-10505-0P	#8	13/32"	45/64"	575 ft. spool
78R8451	RD-5-10506-600P	#10	1/2"	25/32"	50 ft. box
78R8451SP	RD-5-10506-0P	#10	1/2"	25/32"	550 ft. spool
78R8452	RD-5-10507-600P	#12	5/8"	63/64"	50 ft. box
78R8452SP	RD-5-10507-0P	#12	5/8"	63/64"	367 ft. spool

Use with Aeroquip® E-Z Clip Fittings ONLY

MISCELLANEOUS HOSES & RELATED PARTS

DRAIN HOSE CHECK VALVE

72R9010 RD-5-4659-0P

1/2" Hose Plastic Check Valve



DRAIN FITTING

72R9020 RD-5-5901-0P

Duck Bill – Hole Size: 5/8"



REDUCER

72R9030 RD-5-4756-0P

1/2" to 3/8" Drain Hose Reducer



HOSE CONNECTIONS

72R9040 RD-5-3653-0P

90° Elbow 1/2" Hose to 1/2" Hose



72R9045 RD-5-4086-0P

90° Elbow 1/2" Hose to 1/2" Npt



78R5500 RD-5-6427-1P

90° Elbow (rubber) 3 1/2" OD
6 1/2" long x 6 1/4" high



DRAIN HOSE



78R0070 RD-5-3550-120P

1/4" Drain Hose (10 ft)

78R0075 RD-5-6532-120P

1/2" Drain Hose (10 ft)

HEATER HOSE



78R0101 RD-5-6304-600P

5/8" Heater Hose (50 ft)

70R7310 RD-1-0795-0P

Tee, Drain Hose,
5/8" & 3/4" to 5/8" & 3/4"



FILTER RETAINERS

78R0090

Foam Filter Retainers
12 in a Pack



NYLON TIES

78R9600 RD-5-4021-0M

8" length
25 in a Pack



HOSES

AIR LINE



78R0030 RD-5-4680-0-WHTP

White 1/8" Air Line (50 ft)

78R0040 RD-5-4680-0-BLKP

Black 1/8" Air Line (50 ft)

78R0050 RD-5-3657-0P

Black 1/4" Air Line (50 ft)

78R0060 RD-5-5791-600-WHTP

White 3/16" Air Line (50 ft)

78R0063 RD-5-5791-600-GRNP

Green 3/16" Air Line (50 ft)

78R0065 RD-5-5791-600-REDP

Red 3/16" Air Line (50 FT.)

DEFROST HOSE



78R0200 RD-5-5122-108P

2" Defrost Hose (9 ft)

78R0250 RD-5-5123-108P

2 1/2" Defrost Hose (9 ft)

78R0300 RD-5-3930-108P

3" Defrost Hose (9 ft)

78R0350 RD-4156-108P

3 1/2" Defrost Hose (9 ft)

78R0400 RD-5-3927-108P

4" Defrost Hose (9 ft)

HOSE PROTECTION

79R0100 RD-5-9900-96P

Nylon Braided sleeve Hose Protection (8 ft)



79R0102 RD-5-7747-96P

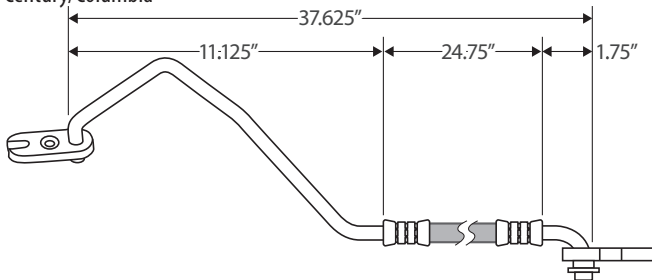
Spiral Hose Wrap (8 ft)



OEM REPLACEMENT HOSE ASSEMBLIES

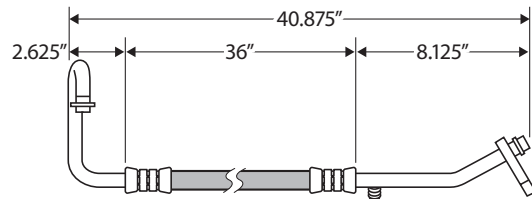
78R3000 RD-2-7322-0P

OE#22-52178-300
Century/Columbia



78R3001 RD-2-7323-0P

OE#22-52177-331
Century/Columbia

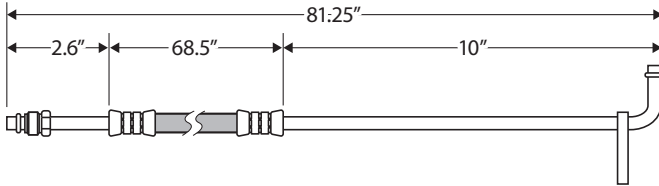


OEM REPLACEMENT HOSE ASSEMBLIES

78R3002

RD-2-7299-0P

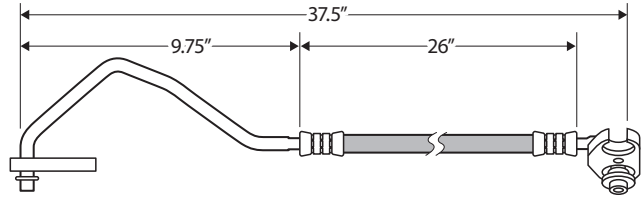
OE#3592145C92
ProStar



78R3006

RD-2-7303-0P

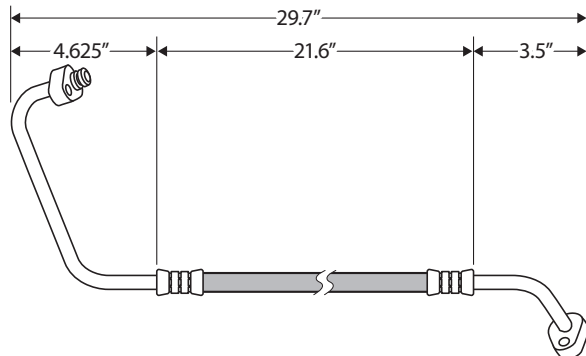
OE#22-59792-004
Columbia



78R3003

RD-2-7300-0P

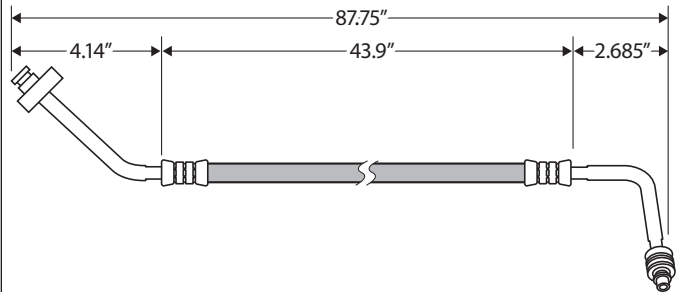
OE#3565481C91
ProStar



78R3007

RD-2-7304-0P

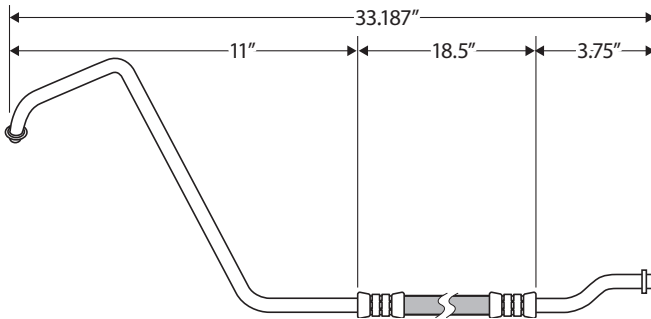
OE#3565464C91



78R3004

RD-2-7301-0P

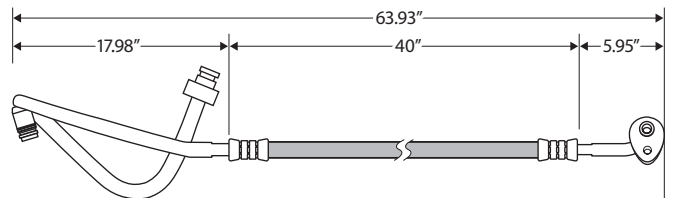
OE#22-57504-002
M2



78R3008

RD-2-7511-0P

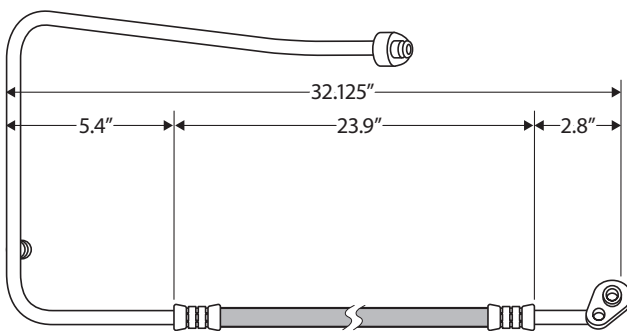
OE#3582987C92



78R3005

RD-2-7302-0P

OE#3582989C91
ProStar

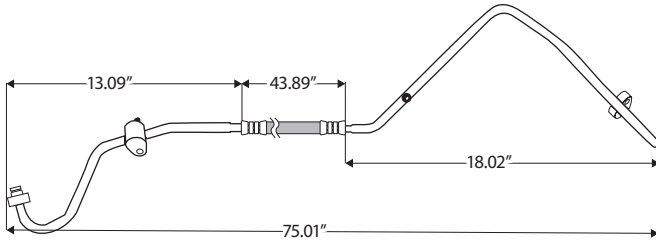


HOSES

78R3009

RD-2-7598-0P

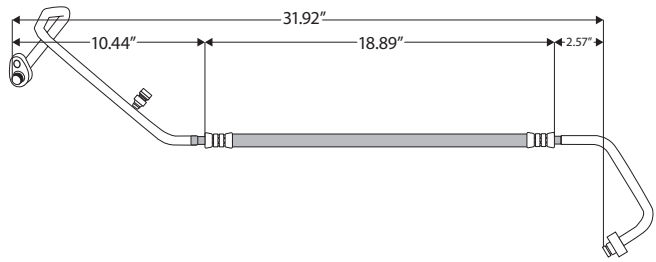
3600647C91, 3600647C92



78R3010

RD-2-7599-0P

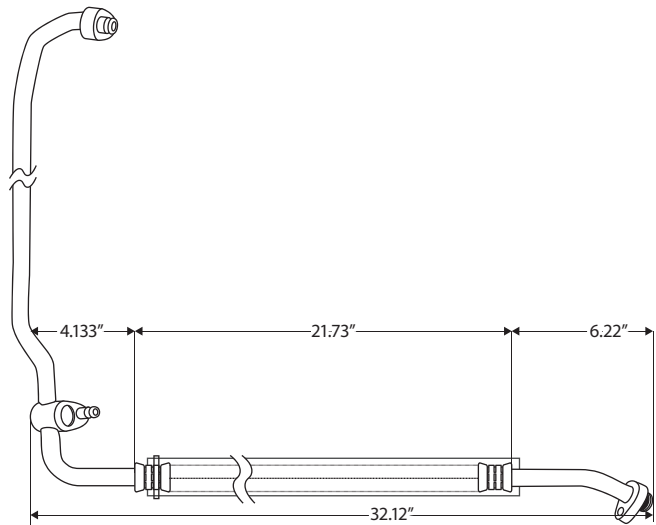
3612296C92, 3612296C93



78R3011

RD-2-7597-0P

3612298C92



HOSES

DIFFUSERS AND LOUVERS

LOUVERS & DIFFUSERS

72R2000 RD-5-5476-0P

Snap In Louver Fits 1 3/8" x 5 3/4" Opening



72R2100 RD-5-3709-0P

Louver Fits 1 3/4" x 3 3/8" Opening - Oval Connection



72R2105 RD-5-6220-0P

Oval Connection All Black - 1 1/16" x 4 3/4" Opening



72R2110 RD-5-6555-0P

Louver Fits 1.4" x 4.4" Opening



72R2120 RD-3-8989-0P

Louver Fit 3" x 7 1/4" Opening



72R2130 RD-5-5520-0P

Louver Fits 1.6" x 5.1" Opening - Stud Mount



72R2140 RD-5-5552-0P

Louver Fits 1 3/4" x 5 1/8" Hole - Snap Mount



72R2150 RD-5-4452-0P

Louver Fits 1 1/8" x 3 3/8" Opening - Snap Mount



72R2160 RD-5-9637-0P

3 1/2" x 2 1/4" x 1 3/8" deep Opening - 3 1/4" x 1 1/16" Pivot: 1/4" diameter



72R2200 RD-5-4451-0P

Louver Fits 1 1/16" x 4 25/32" Opening - Stud Mount



72R2250 RD-5-3597-0P

Fits 1 1/16" x 5 1/16" Opening - Clip Mount Louver*
Dimensions: 2 1/2" x 7 1/2" - 100% Shutoff



72R2255 RD-5-10418-0P

Fits 2 1/2" x 7 1/2" Opening - Clip Mount Louver*
Outside dimension: 3" x 8"



72R2300 RD-4340-0P

Louver Fits 2.69" x 6.50" Opening - Stud Mount



72R2350 RD-5-10478-0P

Louver Fits 2 3/4" x 7 1/4" Opening - Snap Mount



72R2351 RD-5-6987-0P

5 1/8" x 2" x 1" deep - Opening 4 3/4" x 2" x 1" deep



72R2500 RD-5-3701-0P

Ball Louver With 2" Hose Adapter* Fits 2 1/2" Hole



72R2551 RD-5-3758-1P

2 1/2" Flush Mount Ball Louver*



72R2600 RD-5-3702-0P

Ball Louver With 2 1/2" Hose Adapter*



72R2605 RD-5-10211-0P

Ball Louver With 2 1/2" Hose Adapter*



72R3000 RD-5-6017-0P

Fixed Vane 1 1/8" x 8 1/2"



72R3010 RD-3-7838-2P

Right Hand Fixed Vane Defrost Outlet



72R3020 RD-3-7838-3P

Left Hand Fixed Vane - Defrost Outlet



72R3050 RD-5-3596-0P

2" Diffuser (Flush)



72R3100 RD-5-5223-1P

3 1/2" Diffuser, 3 5/8" O.D., 3 1/16" mounting hole



* 100% Shut Off

† Retaining Ring Sold Separately: RD 5-4611-0P

DIFFUSERS, LOUVERS, DUCTS AND ADAPTERS

LOUVERS & DIFFUSERS

72R3110 RD-5-5223-0P

3 1/2" Diffuser, 3 3/8" O.D., 3 3/16" mounting hole
With Angled Base, includes spring



72R3111 RD-5-5222-0P

3 3/4" x .907" Louver - 3 1/4" Opening



72R3120 RD-5-8436-0P

3" Diffuser



72R3130 RD-5-9024-0P

3" Diffuser



72R3135 RD-5-10236-0P

3 1/2" Diffuser, 3 3/8" O.D., 3 1/4" mounting hole



72R3140 RD-5-9053-0P

4" Diffuser



72R3149 RD-5-11560-0P

Fits 3" Hole - 2" Hose



72R3150 RD-5-9425-0P

Fits 3" Hole - 2 1/2" Hose 100% Shut Off - Inlet = 2.165"



72R3151 RD-5-10030-0P

2" Hose



72R3155 RD-5-9426-0P

Fits 3" Hole - 2 1/2" Hose



72R3159 RD-5-12783-0P

2" Hose, 3" O.D., 2 1/4" x 2" mounting hole



72R3157 RD-5-8928-0P

Louver Outlet



72R3158 RD-5-14615-0P

Ball Louver with 2 1/2" Hose Adapter (100% Shutoff)



72R3200 RD-5-3846-0P

4 1/2" Diffuser (Flush)



72R3510 RD-3196-1P

2 1/2" Defrost Outlet Assembly



72R3530 RD-3196-3P

3" Defrost Outlet Assembly



72R3550 RD-3196-5P

3 1/2" Defrost Outlet Assembly



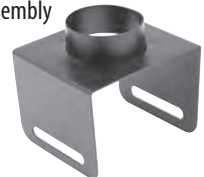
72R3600 RD-5-9313-0P

2 1/2" Hose



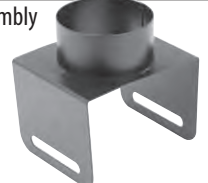
72R3601 RD-1-0422-0P

2 1/2" Auxiliary Outlet Assembly



72R3603 RD-1-0423-0P

3" Auxiliary Outlet Assembly



72R4010 RD-5-9152-0P

Defrost Duct With 2 1/2" Hose Adapter
20 1/4" L x 2 1/2" W x 3 3/8" H



72R4400 RD-5-9157-0P

2 1/2" Flexhose "Y" Adapter



72R4500 RD-5-9158-0P

2 1/2" To 3" Flexhose Adapter



72R4510 RD-5-9159-0P

2 1/2" To 2" Flexhose Adapter



DIFFUSERS, LOUVERS, DUCTS AND ADAPTERS

72R4530 RD-3-1566-2P

Air Outlet Assembly for 4" Hose To Square Plate



72R4531 RD-3-4812-2P

Air Outlet Assembly for 3" Hose To Square Plate



72R4532 RD-5-8926-0P

Straight 2 1/4" Hose Outlet



72R4533 RD-1-0639-0P

3 1/2" Defrost Hose Outlet



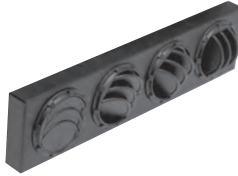
72R4534 RD-1-1651-0P

2 1/2" Outlet Adapter, 4-way Duct, fits R-2100



72R4535 RD-2-3279-0P

Four Louver Outlet Adapter, fits R-2100



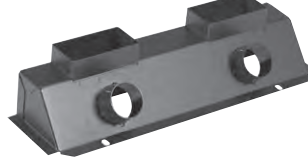
72R4536 RD-3-10111-0P

Louvered Plenum Assembly, fits R-9520



72R4537 RD-3-10112-0P

Ductable Plenum Assembly, fits R-9520



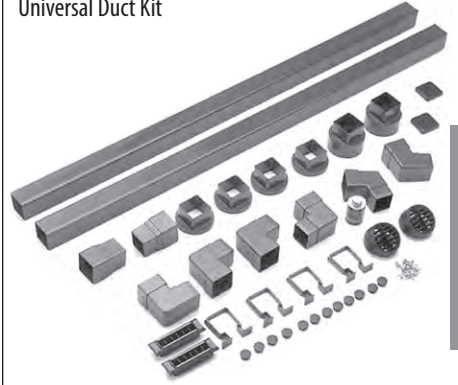
72R4538 RD-3-6060-0P

Plenum Assembly with 2 1/2" Hose Adapters



78R2100 RD-5-6683-0P

Universal Duct Kit



LOUVERS &
DIFFUSERS

DEFROST HOSE

78R0200 RD-5-5122-108P

2" Defrost Hose (9 ft)

78R0250 RD-5-5123-108P

2 1/2" Defrost Hose (9 ft)

78R0300 RD-5-3930-108P

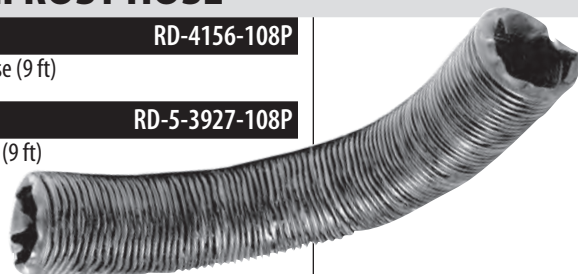
3" Defrost Hose (9 ft)

78R0350 RD-4156-108P

3 1/2" Defrost Hose (9 ft)








78R0400 RD-5-3927-108P

4" Defrost Hose (9 ft)



REFRIGERANT HOSE FITTINGS & ACCESSORIES

O-RINGS

70R5056	70R5046	70R5058	70R5051	70R5052	70R5042	70R5057
RD-5-3728-0M	RD-5-10942-0M	RD-5-3729-0M	RD-5-3730-0M	RD-5-9061-0M	RD-5-10943-0M	RD-5-10085-0M
GREEN #6	BLUE #6	GREEN #8	GREEN #10	GREEN #12	BLACK #12	GREEN Expansion Valve Equalizer Tube
	 GM CAPTIVE				 GM CAPTIVE	

O-Rings ship 25 per package

O-RINGS

75R5520 RD-5-3698-0M
Teflon Rotolock Compressor Gasket Seal
IHC/Navistar ZGG19499
10 Per Package



75R5525 RD-5-9806-0M
O-Ring seal fits Sanden FLX7 fitting adapters used on suction and discharge side of compressor. GM A6/DA6/HR6/R4/V5/FS10 Suction/Discharge Port O-Ring Seal
10 Per Package



75R5530 RD-5-14076-0M
IHC/Navistar #3543727C1
Yellow



75R5535 RD-5-14077-0M
IHC/Navistar #3543728C1
Yellow



75R5580 RD-5-15288-0M
 $\frac{5}{8}$ " metal gasket with rubber insert and O-ring Discharge 10 Per Package



75R5585 RD-5-15289-0M
 $\frac{13}{16}$ " metal gasket with rubber insert and O-ring Suction 10 Per Package



70R5501 RD-5-14698-0P
IHC/Navistar 3824716C1, 2610417C1



70R5502 RD-5-14699-0P
IHC/Navistar 3661318C1, 2610415C1



70R5503 RD-5-15280-0P
IHC/Navistar 3660864C1, 2610413C1



70R5504 RD-5-15281-0P
IHC/Navistar 3660862C1, 2610412C1



70R5506 RD-5-15358-0P
Navistar 2614861C91



70R5505 RD-5-14697-0P
Navistar 3660865C1, 2610414C1





O-RINGS

Universal O-Ring & Service Parts

70R5000		RD-5-4905-0P
10	Cover, Stem, Service Valve	
25	O-Ring - #12 Hose Fitting	
25	O-Ring - #10 Hose Fitting	
25	O-Ring - #8 Hose Fitting	
25	O-Ring - #6 Hose Fitting	
10	Cap - Access Schrader Port	
10	O-Ring - Gm Capillary Tube	
10	Gasket - Yorktecumseh Flange Hd	
3	Refrigeration Valve Core	
10	Nut - Acorn, Service Vlv. Port Aluminum	
3	Cap - 1/4" Quick Seal	
3	Cap - 3/16" Quick Seal	
10	Gasket - Teflon Rotolock	
2	Adapter - Rotolock To Tube "O"	

Universal O-Ring Assortment

70R5010		RD-5-9988-0P
10	No. 10 GM Captive O-Ring	
10	Chrysler Block Valve O-Ring	
10	GM A6, DA6, HR6, V5, Ford, FS10, FX15, 10PA Service Valve O-Ring	
10	GM Compressor Service Valve O-Ring	
10	No. 8 GM Captive O-Ring	
10	No. 10 GM, Ford, Chrysler, Import Hose Fitting O-Ring	
10	Capillary O-Ring	
10	Nissan No.8 Hose Fitting/Drier O-Ring	
10	No.8 GM, Ford, Chrysler, Import Hose Fitting O-Ring	
10	No. 12 GM Captive O-Ring	
10	No. 6 GM Captive O-Ring	
10	GM No.10 Dual O-Ring	
10	No. 12 GM, Ford, Chrysler/Import Hose Fitting O-Ring	
10	No. 6 GM/Ford, Chrysler/Import Hose Fitting O-Ring	
10	No. 8 Dual O-Ring	
10	No. 10 Ford Springlock Fitting O-Ring	
10	Comp. Switch Port/Oil Plug/No.6 Compression Fitting O-Ring	
10	No. 8 Ford Springlock Fitting O-Ring	
10	No. 12 Ford Springlock Fitting O-Ring	
10	No. 6 Ford Springlock Fitting O-Ring	
10	GM No. 12 Dual O-Ring	
10	GM "Oval" Service Valve O-Ring	
10	Chrysler Block Valve/GM R4 Service Valve O-Ring	

UNIVERSAL O-RING AND FASTENER KITS

O-RINGS



O-Ring & Service Assortment Kit

70R5005		RD-5-9989-0P
7	GM Compressor Port O-Ring	
7	No. 8 GM Captured O-Ring	
7	No. 10 Hose Fitting O-Ring	
7	Equalizer Tube O-Ring	
7	No. 8 Hose Fitting O-Ring	
7	No. 12 Captured Fitting O-Ring	
7	No. 6 Captured O-Ring	
7	No. 12 Hose Fitting O-Ring	
7	No. 6 Hose Fitting O-Ring	
10	CCI & Tecumseh Rotolock Service Valve Teflon Tape	
3	CCI & Tecumseh Long Stem Cap	
10	Charging Port Cap (3/16")	
10	Service Valve Cap (1/4")	
1	A-6 Shaft Nut	
1	Washer	
1	Clutch Retaining Ring	
10	Charging Hose Seal	
10	Charging Hose Depressor	
10	Can Tap Seal Gasket	
3	A-6 Shaft Key	
3	CCI & Tecumseh Compressor Woodruff Key	
3	Sanden Shaft Key	
10	Schrader Valve Core	
10	Expansion Valve Inlet	

Bagged O-Ring Assortment Kit

70R5020		RD-5-9987-0P
1	O-Ring #4	
7	O-Ring #6	
6	O-Ring #8	
4	O-Ring #10	
1	O-Ring #12	



Bagged Stat-O-Seal Assortment Kit

70R5036		RD-5-15284-0P
2	Stat-O-Seal GM #6	
2	Stat-O-Seal GM #8	
2	Stat-O-Seal GM #10	
2	Stat-O-Seal Red HNBR #10	
2	Slimline Washer GM #12	

SLIMLINE & STAT-O-SEALS FOR FREIGHTLINER

SLIMLINE SEALS

70R5022 RD-5-10200-0M

#6 Slimline Seal $\frac{1}{16}$ " O.D., $\frac{5}{16}$ " I.D.
Metal Washer (Black)
10 pieces
OE# ABP N83 312076



70R5024 RD-5-10199-0M

#8 Slimline Seal $\frac{1}{16}$ " O.D., $\frac{7}{16}$ " I.D.
Metal Washer (Black)
10 pieces
OE# ABP N83 312060



70R5026 RD-5-10198-0M

#10 Slimline Seal $\frac{3}{4}$ " O.D., $\frac{9}{16}$ " I.D.
Metal Washer (Black)
10 pieces
OE# ABP N83 312092



70R5035 RD-5-12675-0M

Freightliner/GM 1" O.D., $\frac{5}{8}$ " I.D. 17mm Slimline
Block Sealing Washer
10 pieces
OE# ABP N83 312222, 23-13204-000



MINI STAT-O-SEALS

70R5031 RD-5-11527-0M

#6 Mini Stat-O-Seal $\frac{3}{8}$ " O.D., $\frac{5}{16}$ " I.D.
(8mm Slimline block sealing washer)
Metal Washer with Rubber Insert (Red)
10 pieces
OE# ABP N83 312366, 23-13201-000, Parker 336565



70R5032 RD-5-11528-0M

#8 Mini Stat-O-Seal $\frac{3}{4}$ " O.D., $\frac{7}{16}$ " I.D.
Metal Washer with Rubber Insert (Red)
10 pieces
OE# ABP N83 312368, 23-13202-000, Parker 556565



70R5033 RD-5-11529-0M

#10 Mini Stat-O-Seal $\frac{15}{16}$ " O.D., $\frac{9}{16}$ " I.D.
Metal Washer with Rubber Insert (Red)
10 pieces
OE# ABP N83 312361, 23-13203-000, Parker 668565
Fits 71R8455 expansion valve
Hose side out



70R5034 RD-5-11530-0M

#12 Mini Stat-O-Seal 1 $\frac{1}{8}$ " O.D., $\frac{1}{16}$ " I.D.
Metal Washer with Rubber Insert (Red)
10 pieces
OE# ABP N83 312372, 23-13205-000, Parker 720565
Fits 71R8455 expansion valve
Evaporator side out



O-RINGS

SLIMLINE/STAT-O-SEAL SERVICE KIT

79R8950

RD-5-12676-0P



This assortment of popular valve cores and seals fits today's various air conditioning parts including pad fittings for block valves, driers / accumulators, compressors, cores and parts where a positive seal is required. The seals in this kit are made from today's modern materials including Teflon, viton and elastomers which assure a positive seal.

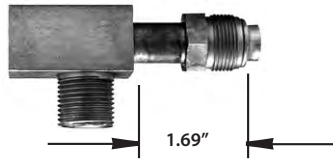
<p>Freightliner #6 8mm Mini Stat-O-Seal OEM #23-13201-000 70R5031 / RD-5-11527-0M 5 PER KIT</p>	<p>Freightliner #8 11mm Mini Stat-O-Seal OEM #23-13202-000 70R5032 / RD-5-11528-0M 5 PER KIT</p>	<p>Freightliner #10 - 1/16" Thin Stepped Mini Stat-O-Seal OEM #23-13203-000 70R5033 / RD-5-11529-0M 5 PER KIT</p>
<p>Freightliner/GM 1" O.D. x 5/8" I.D. 17mm Slimline Block Sealing Washer OEM #23-13204-000 70R5035 / RD-5-12675-0M 5 PER KIT</p>	<p>Freightliner #12 Mini Stat-O-Seal OEM #23-13205-000 70R5034 / RD-5-11530-0M 5 PER KIT</p>	
<p>R-134a High Flow Valve Core, M8 High Side Adapter 70R5120 / RD-5-9809-0M 5 PER KIT</p>	<p>High Flow Valve Core Remover/Installer Tool 79R8945 / RD-5-12674-0P 1 PER KIT</p>	<p>R-134a High Flow Valve Core, M10 Low Side Adapter 70R5125 / RD-5-9810-0M 5 PER KIT</p>

RED DOT O-RING TEE BLOCKS

70R2201

RD-5-4527-0P

#10 Tee Block with Swivel Nut



70R2306

RD-4187-0P

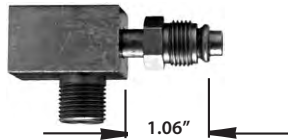
Three #6 Female Inlets



70R2206

RD-5-4528-0P

#6 Tee Block with Swivel Nut



70R2301

RD-4186-0P

Three #10 Female Inlets



NOTE: Use tee block to tee sleeper AC into existing system.

O-RINGS

IDENTIFICATION GUIDE

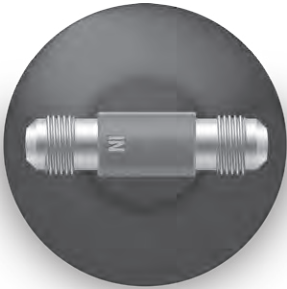
RECEIVER DRIERS/
ACCUMULATORS



O-Ring
Male / Male



O-Ring
Male / Female



Flare
Male / Male



Quick Disconnect
Male / Male



Slimline Manifold Block
Male / Male
With two Schrader valve charge ports

Components in an air conditioning system require a clean, non-corrosive environment. Moisture is corrosive to air conditioner system components and must be eliminated for efficient a/c system operation. Any time the a/c system is opened, the receiver drier (or accumulator and orifice tube) needs to be replaced. A good preventative maintenance practice is to replace the receiver drier or the accumulator / orifice tube at regular intervals. See the **Preventive Maintenance Guide** at the beginning of the Reference Section in the back of this catalog.

Receiver driers have a variety of maintenance components that may be installed to assist with receiver drier operation. Typically not all will be installed on a given unit. See the following pages that detail receiver drier features.

A. Moisture Indicator

Contains a litmus paper device which turns colors to designate the condition of the refrigerant;

- Blue** = normal;
- Pink** = moisture in the system;
- White** = very wet;
- Gray** = oil contamination

B. Pressure Relief Valve

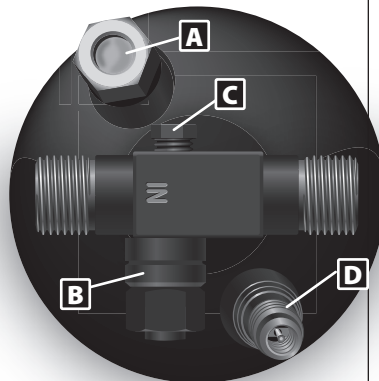
A protection device designed to open and "bleed off" excessive pressure.

C. Fuse Plug

A fuse plug is a bi-metal device that melts down to release excessive pressure.

D. Schrader Valve / M-10 Valve

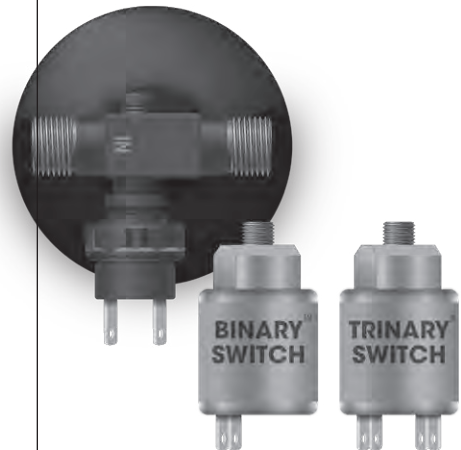
A gauge or charge port that allows access to the system for checking and charging refrigerant pressures.



Low / High Pressure Switches

A switch port allows for a male or female pressure switch to be added to the drier. The first function prevents the compressor from operating if the system charge is lost or ambient temperature is too low. The second stops the compressor if head pressure increases to unsafe levels. It automatically resets when pressure drops back to normal. A Binary Switch™ assembly performs both the above functions. Install Binary on liquid side of A/C system between condenser and expansion valve, for use with R-12 and R-134a.

A Trinary Switch™ switch assembly performs both functions detailed above. The third function is a shutter/fan override switch that keeps head pressure within normal range by opening shutters or operating engine fan to increase air flow across condenser when head pressure rises above set valve. A Trinary switch is also installed on the liquid side of a/c system between condenser and expansion valve. For use with R-12 and R-134a systems.

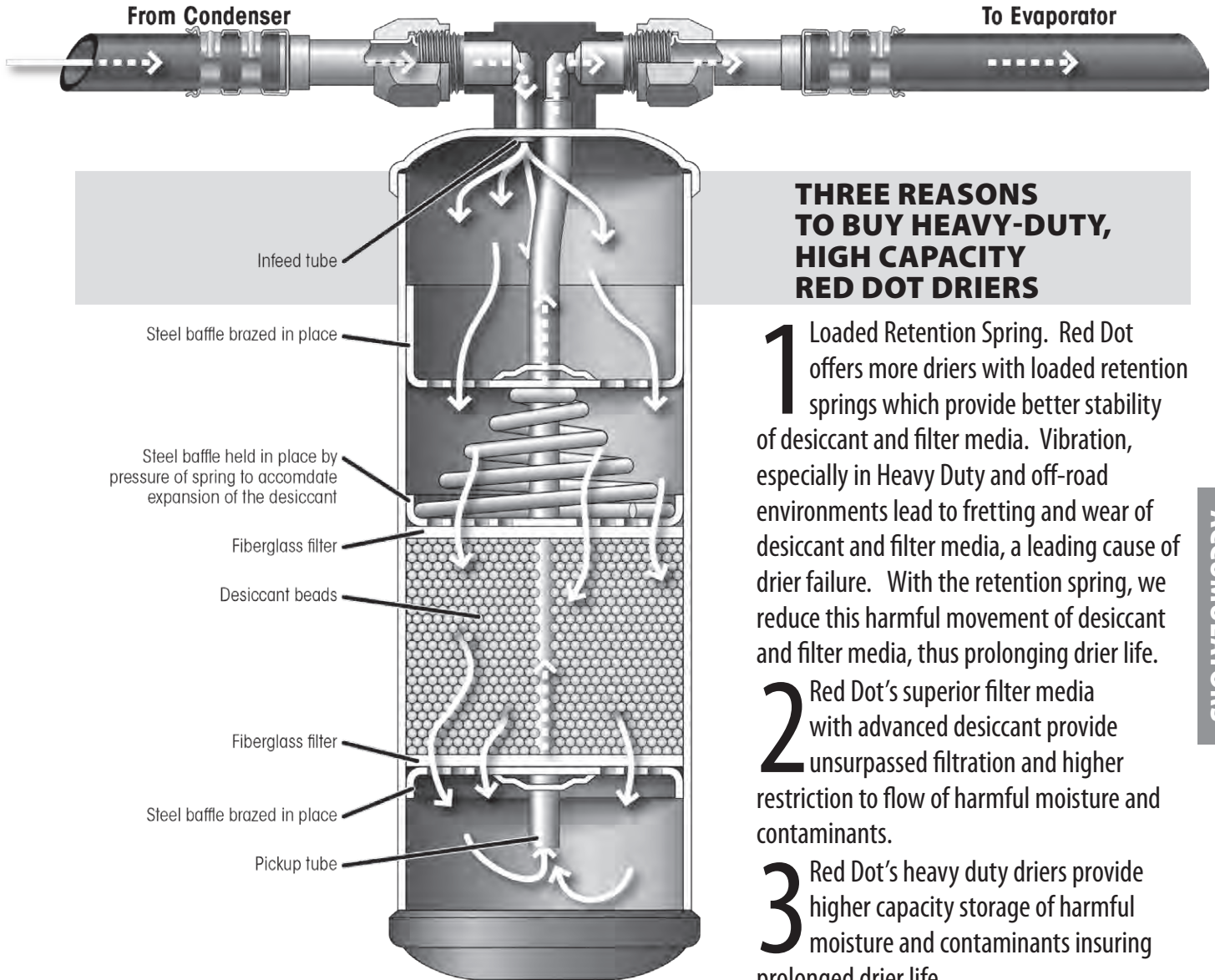


Maintenance Components

Shown on an O-Ring receiver drier with male / male connections. Not all receiver driers will have all these components; they may be combined in a wide variety of ways.

- A** Moisture Indicator
- B** High Pressure Relief Valve
- C** Fuse Plug
- D** Schrader Charge / Gauge Port

CUT-AWAY



THREE REASONS TO BUY HEAVY-DUTY, HIGH CAPACITY RED DOT DRIERS

- 1** Loaded Retention Spring. Red Dot offers more driers with loaded retention springs which provide better stability of desiccant and filter media. Vibration, especially in Heavy Duty and off-road environments lead to fretting and wear of desiccant and filter media, a leading cause of drier failure. With the retention spring, we reduce this harmful movement of desiccant and filter media, thus prolonging drier life.
- 2** Red Dot's superior filter media with advanced desiccant provide unsurpassed filtration and higher restriction to flow of harmful moisture and contaminants.
- 3** Red Dot's heavy duty driers provide higher capacity storage of harmful moisture and contaminants insuring prolonged drier life.

RECEIVER DRIERS/
ACCUMULATORS

Receiver Driers are used on most heavy-duty air conditioning installations. It is mounted between the condenser and the expansion valve. It is composed of a tank, a filter, a drying agent (desiccant) and a pickup tube. An alternative device, commonly used on automobiles, is an Accumulator. Red Dot sells a variety of these. You will find them listed at the following our selection of Receiver Driers.

- A receiver Drier serves two principle functions.
- 1 Storage Tank-** The Receiver Drier receives liquid refrigerant from the condenser, caching it until it is needed by the evaporator.
 - 2 Refrigerant Drier-** The Receiver Drier contains a drying agent that absorbs moisture that may have accumulated in the liquid refrigerant. This drying agent, called desiccant, is usually in the form of beads of silica gel. Moisture is extremely harmful to air conditioning components.

The Receiver Drier's operation is very simple. As shown in the illustration, the liquid refrigerant enters the top chamber. It flows through a fiberglass filter pad (which also serves to hold the desiccant in place), then through the desiccant which removes any moisture in the refrigerant. It then flows through a second filter pad until it exits the Receiver Drier through the pickup tube at the bottom. The spring on the top of the desiccant chamber serves to give the desiccant room to expand as it absorbs the unwanted moisture.

RECEIVER DRIERS SPECIFICATIONS

Listed in ascending order by **Diameter x Height x Fitting Type** and **Size**

Dia.	Height	Fitting Size	High Capacity	Fuse/Pressure Relief	Switch Port	Red Dot Part No.	Factory No.
2 ½	6 ¾	#6 - #8 Male O-Ring In-Line		—	—	74R0450	RD-5-4947-0P
2 ½	7 ¼	#6 Male O-Ring		—	Side	74R1106	RD-5-7559-0P
2 ½	8	#6 Male O-Ring		Fuse	Side	74R0907	RD-5-4950-1 P
2 ½	9 ¾	#6 Male O-Ring In Line	X	—	—	74R0462	RD-5-7064-1P
2 ½	11	#6 Male O-Ring to #8 Male O-Ring		—	—	74R0455	RD-5-14094-0P
2 ½	13 ⅞	Quick Disconnect In Line		—	—	74R0470	RD-5-8605-0P
2 ¾	8 ¾	#6 Male O-Ring	X	Fuse	Side	74R1986	RD-5-14078-0P
2 ¾	9 ¾	#6 Male O-Ring	X	Trinary Switch/Pressure Relief	Side	74R1906 *	RD-5-4632-1P
2 ¾	9 ¾	#6 Male O-Ring	X	Trinary Switch/Pressure Relief	Side	74R1956 *	RD-5-4632-0P
2 ¾	10	#6 Male O-Ring	X	Pressure Relief	Top	74R1706	RD-5-3593-1P
2 ¾	10	#6 Male O-Ring	X	Pressure Relief	Side	74R1756	RD-5-3593-0P
2 ¾	10	#6 Male O-Ring	X	Pressure Relief	Side	74R1866	RD-5-7063-0P
2 ¾	10	#6 Male O-Ring (Schrader Port)	X	Pressure Relief	Top	74R1806	RD-5-5571-0P
2 ¾	10	#6 Male O-Ring	X	L Press/Pressure Relief	Side	74R2106 **	RD-4160-1P
2 ¾	10	#6 Male O-Ring		Bin. Switch/Fuse	Top	74R1836 †	RD-5-9455-0P
2 ¾	10	#6 Male O-Ring		Trinary Switch/Fuse	Top	74R1846 *	RD-5-6575-0P
2 ¾	10	#6 Male O-Ring (Schrader Port)	X	Pressure Relief	Side	74R1856	RD-5-5572-0P
2 ¾	10 ⅝	#6 Male O-Ring	X	Pressure Relief	Top	74R1826	RD-5-7062-1P
2 ¾	10 ⅝	#6 Male O-Ring	X	Pressure Relief	Top	74R2797	RD-5-6568-2P
3	6	#6 Male O-Ring	X	Binary Switch/Pressure Relief	Side	74R2586 †	RD-5-4727-0P
3	6	#6 Male O-Ring	X	Trinary Switch/Pressure Relief	Side	74R2596 *	RD-5-4727-1P
3	6 ¼	#6 Male O-Ring	X	Pressure Relief	Side	74R2547 ††	RD-5-7272-1P
3	6 ¼	#6 Male O-Ring (Schrader Port)	X	Pressure Relief	Side	74R2536	RD-5-7061-1P
3	6 ¼	#6 Male O-Ring	X	Pressure Relief	—	74R2590 ††	RD-5-9419-1P
3	7 ¾	#6 Male O-Ring (Schrader Port)	X	—	—	74R2677 ††	RD-5-9515-6P
3	8	#6 Male O-Ring	X	—	—	77R3332	RD-5-13250-8P
3	8 ¼	#6 Male O-Ring (Schrader Port)	X	—	Side	77R2688	RD-5-10591-1P
3	8 ¼	#6 Male O-Ring, 2 Schrader Ports		—	2 Top	77R2616	RD-5-10777-0P
3	8 ¼	#6 Male O-Ring Inlet - #6 Female O-Ring Outlet		Pressure Relief	2 Top	74R3157 ††	RD-5-10735-1P
3	8 ¾	#6 Male O-Ring	X	Fuse	Top	74R2608	RD-5-11192-0P
3	8 ¾	#6 Male O-R - #6 Female O-R (2 Schrader Ports)	X	Pressure Relief	Top	74R2668	RD-5-11193-0P
3	8 ½	#6 Male O-Ring		Pressure Relief	Top	74R2706	RD-5-4955-0P
3	9	#6 Male O-Ring		Pressure Relief	—	74R2801	RD-5-9389-1P
3	9	#6 Male O-Ring		—	—	74R1427 ††	RD-5-11531-0P
3	9	#6 Male O-Ring		Pressure Relief	—	74R2802	RD-5-11183-0P
3	9	#6 Male O-Ring		Pressure Relief	—	74R1407 ††	RD-5-11532-0P
3	9 ¼	#6 Male O-Ring (Schrader Port)		Fuse	Side	74R3067	RD-5-5589-1P
3	9 ¼	#6 Male O-Ring	X	Pressure Relief	Top	74R3107 ††	RD-5-11533-0P
3	9 ¼	#6 Male O-Ring	X	—	Side	74R3347	RD-5-8240-1P
3	9 ½	#6 Male O-Ring		Pressure Relief	—	74R3326 ††	RD-5-10744-1P
3	9 ¾	#6 Male O-Ring In- #6 Female O-Ring Out	X	Pressure Relief	Side	74R3148	RD-5-11194-0P
3	9 ¾	#6 Male O-Ring In- #6 Female O-Ring Out	X	Pressure Relief	Side	74R3071	RD-5-9440-1P

RECEIVER DRIERS/
ACCUMULATORS

* With Trinary™ Switch ** With Low Pressure Switch † With Binary™ Switch †† With Moisture Indicator ‡ 2 Schraders †† Schrader

Fitting Conversion: #6 = ¾" #8 = ½" #10 = ⅝" #12 = ¾"

RECEIVER DRIERS SPECIFICATIONS

Dia.	Height	Fitting Size	High Capacity	Fuse/ Press. Relief	Switch Port	Red Dot Part No.	Factory No.
3	9 1/16	1/16 Female O-Ring Inlet - 5/8 Female O-Ring Outlet		Pressure Relief	134 Port	74R3456	RD-5-12757-1P
3	10	#6 Male O-Ring	X	Fuse	Side	74R3137 ††	RD-5-11185-0P
3	10	#6 Female O-Ring In - #6 Male O-Ring Out	X	—	—	74R3357 ††	RD-5-11184-0P
3	10	#6 Male O-Ring		Fuse	Top	74R2306 ††	RD-5-6504-1P
3	10	#6 Male O-Ring (Schrader Port), 1/4" male flare Schrader with Male 10 x 1.25mm threads	X	Fuse, 1/4" port	Side	74R3377 ††	RD-5-11186-0P
3	10	#6 Male O-Ring, Male Metric Schrader with Male 10 x 1.25mm threads	X	Pressure Relief	Side	74R3077 ††	RD-5-11534-0P
3	10	#6 Female O-Ring In - #6 Male O-Ring Out	X	Pressure Relief	2 Top Metric	74R3331	RD-5-11196-0P
3	10	#6 Male O-Ring Inlet - #6 Female O-Ring Outlet, Two M10 x 1.25mm Schrader Valves	X	—	—	74R3328	RD-5-11188-0P
3	10	1/16 Female O-Ring In X #6 Female O-Ring Out		Pressure Relief	—	74R3450	RD-5-4959-0P
3	10	Quick Disconnect, Two 1/4" Schrader valves	X	—	2 Top	74R3309	RD-5-11195-0P
3	10	Quick Disconnect, Two 1/4" Schrader valves	X	Pressure Relief	2 Top	74R3318 ††	RD-5-10729-1P
3	10	Quick Disconnect	X	Pressure Relief	Side	74R3320 ††	RD-5-10741-1P
3	10	Quick Disconnect, Two 1/4" Schrader valves	X	Pressure Relief	2 Top	74R3317	RD-5-11190-0P
3	10	Quick Disconnect, Two 3/16" Schrader valves	X	Pressure Relief	2 Top	74R3323	RD-5-11189-0P
3	10	Flange			134 Port	74R3325	RD-5-14095-0P
3	10	Flange				74R2006	RD-5-14638-0P
3	10	Flange				74R2016	RD-5-14639-0P
3	10	Flange				74R2026	RD-5-14640-0P
3	10 1/8	#6 Male O-Ring In - #6 Female O-Ring Out	X	Pressure Relief		74R3337 ††	RD-5-7292-1P
3	10 1/4	#6 Male O-Ring	X	Pressure Relief	Top	74R3121	RD-5-10589-1P
3	10 1/4	#6 Male O-Ring		—	—	74R3317 ††	RD-5-9872-0P
3	10 1/4	#6 Male O-Ring	X	Pressure Relief	Top	74R2797 ††	RD-5-6768-2P
3	10 1/4	#6 Male O-Ring	X	Pressure Relief	Top	74R3324 ††	RD-5-11535-0P
3	10 1/2	1/16 Female O-Ring In x #8 Female O-Ring Out	X	Pressure Relief	Side	74R3477	RD-5-7563-1P
3	10 1/2	Pad Mount, #6 Slim Line Conn, #0126 Seal		Fuse	Side ††M10	74R3129	RD-5-11522-0P
3	10 1/16	Flange style, Slim Line manifold block	X	—	—	74R2002	RD-5-10434-1P
4	6 3/4	#6 Male O-Ring (Top & Side)		Fuse	—	74R4007	RD-5-6075-1P
4	6 3/4	#6 Male Flare (Top & Side)		Fuse	—	74R4017	RD-5-6077-1P
4	7	#8 Stat Seals	X			74R4215	RD-5-13216-1P
4	7 1/2	#6 Male O-Ring	X	Fuse	Side	74R3537 ††	RD-5-7565-1P
4	7 3/4	#6 Fem O-Ring In - #6 Male O-Ring Out (top-bottom)		—	—	74R4027 ††	RD-5-11028-1P
4	7 3/4	#6 Male O-Ring w low side Pressure switch		L Pr/Pressure Relief	Side	74R3517 **††	RD-5-5955-1P
4	7 7/8	#6 Quick Disconnect w low side Pressure switch		L Pr/Pressure Relief	—	74R3527 **††	RD-5-7564-1P
4	7 7/8	#6 Female O-Ring - #6 Male O-Ring In Line		—	—	74R0401	RD-5-8862-1P
4	8	#6 Fem O-Ring In x #6 Male O-Ring Out In Line		—	Side	74R4116	RD-5-6076-0P
4	9	#6 Female O-Ring In; #6 Male O-Ring Out		—	—	74R4207 ††	RD-5-9055-1P

RECEIVER DRIERS/
ACCUMULATORS

LS = Limited to stock on hand

Fitting Conversion: **#6** = 3/8" **#8** = 1/2" **#10** = 5/8" **#12** = 3/4"

RECEIVER DRIERS

→ Refrigerant flow is from left to right →

INLINE FILTERS

74R0401

4" diameter x 7 7/8" long
#6 Female O-Ring - #6 Male O-Ring
Dual Sight Glas:



RD-5-8862-1P

AGCO RE49169

74R0480

2 3/4" diameter x 8 1/4" long
#8 Male O-Ring Inline
With moisture indicator



RD-5-14686-0P

Blue Paint Finish

74R0450

2 1/2" diameter x 6 5/8" long
#6 - #8 Male O-Ring Inline
No Port
No Glass



RD-5-4947-0P

Takeuchi 3949269

74R0485

3" diameter x 10" long
#8 Flare O-Ring Inline



RD-5-14687-0P

Blue Paint Finish

74R0455

2 1/2" diameter x 11" long
#8 Male O-Ring Out #6 Male O-Ring In
With Orifice Tube



RD-5-14094-0P

CAT 257-3227

74R0490

2 1/2" diameter x 7 3/4" long
#12 Male O-Ring Inline
With moisture indicator



RD-5-14688-0P

Blue Paint Finish

74R0462

2 1/2" diameter x 9 5/8" long
#6 Male O-Ring Inline
High Capacity



RD-5-7064-1P

Caterpillar 088411-01

74R0495

2 1/2" diameter x 10 3/4" long
Pad Fittings



RD-5-14647-0P

Caterpillar OE#320-0562, 320-0563

74R0470

2 1/2" diameter x 13 5/8" long
Quick Disconnect - No Port
With Orifice Tube



RD-5-8605-1P

Caterpillar OE#3E3595

74R0500

3" diameter x 9" long
#10 Male O-Ring Inline



RD-5-15710-0P

Carrier#14-00326-05

74R0505

3" diameter x 11 5/8" long
#6 Female O-Ring In
#6 Male O-Ring Out



RD-5-15713-0P

John Deere#RE175116, RE291796, RE214440

Fitting Conversion: #6 = 3/8" #8 = 1/2" #10 = 5/8" #12 = 3/4"

RECEIVER DRIERS/
ACCUMULATORS

RECEIVER DRIERS

→ Refrigerant flow is from left to right →

74R0475

RD-5-14685-0P

3" diameter x 8 1/4" long
Carrier #DRI-104



74R1427

RD-5-11531-0P

3" diameter x 9" long
#6 Male O-Ring

Volvo VN Series
OE#20447319



74R1826

RD-5-7062-1P

2 3/4" x 10 5/8" long
#6 Male O-Ring
High Capacity
Pressure Relief
Top Port

Fits Caterpillar & John Deere



74R0907

RD-5-4950-1P

2 1/2" diameter x 8" long
#6 Male O-Ring
Freightliner A22-14425-001
IHC/Navistar 1691709-C91
Fuse
Side Port



74R1706

RD-5-3593-1P

2 3/4" diameter x 10" long
#6 Male O-Ring
High Capacity
Pressure Relief-Side
3/8" - 24 Switch
Port-Top

IHC Navistar 1676651-C1
Kenworth 402566



74R1836

RD-5-9455-0P

2 3/4" diameter x 10" long
#6 Male O-Ring
Includes Binary Switch
Fuse
Top Port

IHC / Navistar 124552-C1
Peterbilt JA1130
Western Star 02-7077922



74R1106

RD-5-7559-0P

2 1/2" diameter x 7 1/8" long
#6 Male O-Ring
Side Port
Terex, Caterpillar
088273-00



74R1756

RD-5-3593-0P

2 3/4" diameter x 10" long
#6 Male O-Ring
High Capacity
Pressure Relief
Side Port

Mack 402529
Peterbilt JA1895



74R1846

RD-5-6575-0P

Includes Trinary™ Switch
2 3/4" diameter x 10" long
#6 Male O-Ring
Fuse
Top Port



74R1407

RD-5-11532-0P

Includes Moisture Indicator
3" diameter x 9" long
#6 Male O-Ring
Press Relief
Volvo 20407205,
088492-01, 8078261



74R1806

RD-5-5571-0P

2 3/4" diameter x 10" long
#6 Male O-Ring Schrader Port
High Capacity
Pressure Relief
Top Port

Peterbilt JA1090



74R1856

RD-5-5572-0P

2 3/4" diameter x 10" long
#6 Male O-Ring Schrader Port
High Capacity
Pressure Relief
Side Port
Peterbilt JA1090
Mack 328P
Western Star 02-0707922



RECEIVER DRIERS/
ACCUMULATORS

Fitting Conversion: #6 = 3/8" #8 = 1/2" #10 = 5/8" #12 = 3/4"

RECEIVER DRIERS

→ Refrigerant flow is from left to right →

74R1866 RD-5-7063-0P

2 3/4" diameter x 10" long
#6 Male O-Ring
High Capacity
Pressure Relief
Side Port



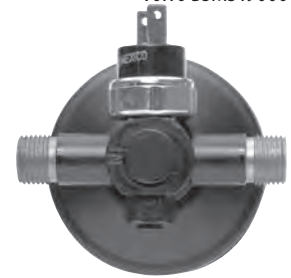
74R2002 RD-5-10434-1P

3" diameter x 10 1/4" long
Flange Type,
Slimline Manifold Block
High Capacity
Peterbilt F37-600
Kenworth JA2225



74R2106 RD-4160-1P

Includes Low Pressure Switch
2 3/4" diameter x 10" long
#6 Male O-Ring
High Capacity
Low Pressure /
Pressure Relief
Side Port
Freightliner
A22-14425-003
Volvo BSM319000



74R1906 RD-5-4632-1P

Includes Trinary™ Switch-Top
2 3/4" diameter x 9 5/8" long
#6 Male O-Ring
High Capacity
Trinary Switch /
Pressure Relief
Side Port
IHC / Navistar
1676652-C1
Kenworth JA1105



74R2006 RD-5-14638-0P

3" diameter x 10" long
Flange Fittings
Peterbilt #F37-6011



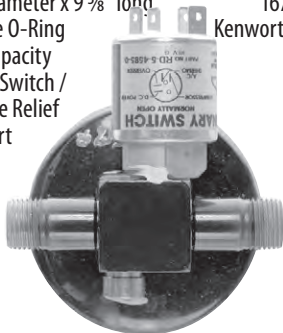
74R2306 RD-5-6504-1P

Includes Moisture Indicator
3" diameter x 10" long
#6 Male O-Ring
Fuse
Top Port
IHC / Navistar
1691738-C91



74R1956 RD-5-4632-0P

Includes Trinary™ Switch-Side
2 3/4" diameter x 9 5/8" long
#6 Male O-Ring
High Capacity
Trinary Switch /
Pressure Relief
Side Port
IHC / Navistar
1676664-C1
Kenworth JA2225



74R2016 RD-5-14639-0P

3" diameter x 10" long
Flange Fittings
Peterbilt #F37-6010



74R2527 RD-5-7061-8P

3" diameter x 6 1/4" long
#6 Male O-Ring
High Capacity
Pressure Relief
Side Port
Kenworth OE#K251-566



74R1986 RD-5-14078-0P

2 3/4" diameter x 8 3/4" long
#6 Male O-Ring
Switch Port Body
Switch Port Side
Fuse Side
Sight Glass Body
Pressure Relief



74R2026 RD-5-14640-0P

3" diameter x 10" long
Flange Fittings
Peterbilt #F37-6013



74R2537 RD-5-7061-7P

3" diameter x 6 1/4" long
#6 Male O-Ring
Schrader Port
High Capacity
Pressure Relief



Fitting Conversion: #6 = 3/8" #8 = 1/2" #10 = 5/8" #12 = 3/4"

RECEIVER DRIERS/
ACCUMULATORS

RECEIVER DRIERS

→ Refrigerant flow is from left to right →

74R2447

RD-5-7272-1P

Includes Moisture Indicator
3" diameter x 6 1/4" long
#6 Male O-Ring
High Capacity
Pressure Relief
Side Port

Mack 221RD32



74R2596

RD-5-4727-1P

Includes Trinary™ Switch
3" diameter x 6" long
#6 Male O-Ring
High Capacity
Pressure Relief
Side Port



74R2677

RD-5-9515-1P

Includes Moisture Indicator
3" diameter x 7 3/4" long
#6 Male O-Ring
Schrader Port
High Capacity

Western Star 176243,
61506-3402-000
Caterpillar 088193-03



74R2577

RD-5-7061-6P

3" diameter x 6 1/4" long
#6 Male O-Ring
(No Ports)
High Capacity
No Port
No Glass

IHC/Navistar 1691604-C1



74R2608

RD-5-11192-0P

3" diameter x 8 3/8" long
#6 Male O-Ring
High Capacity
Fuse

Freightliner 088193-003



74R2688

RD-5-10591-1P

3" diameter x 8 1/4" long
#6 Male O-Ring
Schrader Port
High Capacity
Side Port

Western Star 61506-3402



74R2586

RD-5-4727-0P

Includes Binary™ Switch
3" diameter x 6" long
#6 Male O-Ring
High Capacity
Pressure Relief
Side Port

John Deere



74R2616

RD-5-10777-0P

3" diameter x 8 1/4" long
#6 Male O-Ring
Two Schrader Ports

Peterbilt 18-03619



74R2706

RD-5-4955-0P

3" diameter x 8 1/2" long
#6 Male O-Ring
Pressure Relief
Top Port

IHC/Navistar 1676663-C1



74R2590

RD-5-9419-1P

Includes Moisture Indicator
3" diameter x 6 1/4" long
#6 Male O-Ring
High Capacity
Pressure Relief
No Port



74R2668

RD-5-11193-0P

3" diameter x 8 3/8" long
#6 Male O-Ring
#6 Female O-Ring,
2 Schrader Ports
High Capacity
Pressure Relief
Top Port

Peterbilt 18-03783
Freightliner A22-32150



74R2797

RD-5-6768-2P

Includes Moisture Indicator
3" diameter x 10 1/4" long
#6 Male O-Ring
High Capacity
Press Relief
Top Port

Ford 9827050



RECEIVER DRIERS/
ACCUMULATORS

Fitting Conversion: #6 = 3/8" #8 = 1/2" #10 = 5/8" #12 = 3/4"

RECEIVER DRIERS

→ Refrigerant flow is from left to right →

74R2801

RD-5-9389-1P

3" diameter x 9" long
#6 Male O-Ring
Pressure Relief

Mack 7753-08836001
CAT 2488232



74R3077

RD-5-11534-0P

3" diameter x 10" long
with Moisture Indicator
#6 Male O-Ring
Male Metric Schrader
with Male 10 X
1.25mm Threads
High Capacity
Pressure Relief
Side Port

Mack 088294-01, 02,
221RD335



74R3137

RD-5-11185-0P

Includes Moisture Indicator
3" diameter x 10" long
#6 Male O-Ring
High Capacity
Fuse
Side Port

Western Star 176243,
61506-3402



74R2802

RD-5-11183-0P

3" diameter x 9" long
#6 Male O-Ring
Pressure Relief

AGCO 0256818-6



74R3107

RD-5-11533-0P

Includes Moisture Indicator
3" diameter x 9 1/4" long
#6 Male O-Ring
High Capacity
Pressure Relief
Top Port

Volvo 39347181,
20407203



74R3148

RD-5-11194-0P

3" diameter x 9 3/4" long
#6 Male O-Ring Inlet,
#6 Female O-Ring Outlet
2 Schrader Ports
Pressure Relief
Side Port



74R3067

RD-5-5589-1P

3" diameter x 9 1/4" long
#6 Male O-Ring
Schrader Port
Fuse
Side Port



74R3126

RD-5-10589-1P

3" diameter x 10 1/4" long
#6 Slimline Seal
High Capacity
Pressure Relief
2 M10 Ports

Freightliner 088539-00



74R3157

RD-5-10735-1P

Includes Moisture Indicator
3" diameter x 8 1/4" long
#6 Male O-Ring Inlet,
#6 Female O-Ring Outlet
2 Schrader Ports
Pressure Relief
Top Port (2)

Peterbilt 18-03783



74R3071

RD-5-9440-1P

3" diameter x 9 3/4" long
#6 Male O-Ring In
#6 High Capacity Female O-Ring Out
Pressure Relief Valve
Side Port

Freightliner 088539-00



74R3129

RD-5-11522-0P

3" diameter x 10 1/2" long
Pad Mount,
#6 Slimline Connection
Two Schraders
Side Port, M10
Fuse

Freightliner PH088446-00



74R3309

RD-5-11195-0P

3" diameter x 10" long – Quick Disconnect
High Capacity – 7/16" Schrader valve
2 Top Port



RECEIVER DRIERS/
ACCUMULATORS

LS = Limited to stock on hand

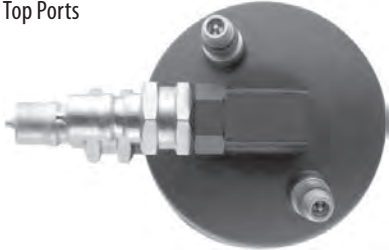
Fitting Conversion: #6 = 3/8" #8 = 1/2" #10 = 5/8" #12 = 3/4"

RECEIVER DRIERS

→ Refrigerant flow is from left to right →

74R3317 RD-5-11190-0P

3" diameter x 10" long Freightliner 319510, 088537-00
Quick Disconnect - two M10 Schrader Valves
High Capacity
Pressure Relief
Two Top Ports



74R3328 RD-5-11188-0P

3" diameter x 10" long 088397-01
#6 Male O-Ring Inlet
#6 Female O-Ring Outlet,
2 M10 Schrader Valves
High Capacity



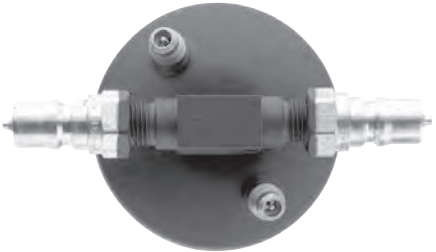
74R3357 RD-5-11184-0P

Includes Moisture Indicator Kenworth K251-571
3" diameter x 10" long
#6 Female O-Ring Inlet
#6 Male O-Ring Outlet
High Capacity



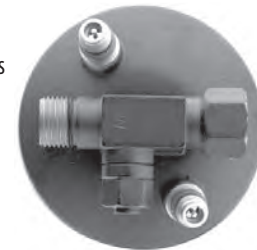
74R3323 RD-5-11189-0P

3" diameter x 10" long – Quick Disconnect
Two Top Metric Ports



74R3331 RD-5-11196-0P

3" diameter x 10" long Freightliner 088337-00
#6 Male O-Ring Inlet
#6 Female O-Ring Out
High Capacity
Pressure Relief
Two Top Metric Ports



74R3377 RD-5-11186-0P

Includes moisture indicator Western Star 61506-3406
3" diameter x 10" long
#6 Male O-Ring
(Schrader Ports)
High Capacity
Fuse
Side Port



74R3324 RD-5-11535-1P

Includes Moisture Indicator
3" diameter x 10" long
#6 Male O-Ring
Pressure Relief
Top Port



74R3337 RD-5-7292-1P

Includes Moisture Indicator
3" diameter x 10 1/8" long
#6 Male O-Ring Inlet
#6 Female O-Ring Out
High Capacity
Pressure Relief



74R3450 RD-5-4959-0P

3" diameter x 10" long Volvo 3949280, 8086753
1 1/16" Female O-Ring Inlet
5/8" Female O-Ring Outlet
Pressure Relief
No Port



74R3325 RD-5-14095-0P

3" diameter x 10" long Volvo #11164457
Flange Fittings
R-134a Port



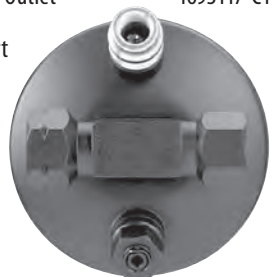
74R3347 RD-5-8240-1P

Includes Moisture Indicator Mack 221RD312, 333
3" diameter x 9 1/4" long
#6 Male O-Ring
High Capacity
Pressure Relief
Side Port



74R3456 RD-5-12757-1P

3" diameter x 9 1/16" long IHC/Navistar 1682171-C1, 2000821-C1 1693117-C1
1 1/16" Female O-Ring Inlet
5/8" Female O-Ring Outlet
Pressure Relief
R-134a Charge Port



RECEIVER DRIERS/
ACCUMULATORS

LS = Limited to stock on hand

Fitting Conversion: #6 = 3/8" #8 = 1/2" #10 = 5/8" #12 = 3/4"

RECEIVER DRIERS

→ Refrigerant flow is from left to right →

74R3477

RD-5-7563-1P

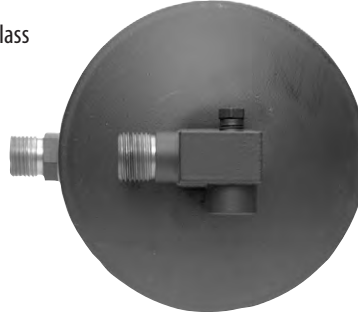
3" diameter x 10 1/2"
 1/4" Female O-Ring In, t
 #8 Female O-Ring Out
 High Capacity
 Pressure Relief
 Side Port



74R4007

RD-5-6075-1P

4" diameter x 6 3/4" long IHC/Navistar 118304-C1,
 #6 Male O-Ring (Top & Side) 118418-C1
 Fuse
 Side Glass



74R4116

RD-5-6076-0P

4" diameter x 8" long
 #6 Female O-Ring In; #6 Male O-Ring Out
 John Deere Applications



74R3517

RD-5-5955-1P

Includes Low Pressure Switch & Moisture Indicator
 4" diameter x 7 3/4" long
 #6 Male O-Ring
 Pressure Relief –
 Side Port
 VME 088209-02,
 106-5534, 5V5698



74R4017

RD-5-6077-1P

4" diameter x 6 3/4" long
 #6 Male Flare (Top and side)
 Fuse IHC/Navistar 539049-R91



74R4207

RD-5-9055-1P

4" diameter x 9" long John Deere AH114865,
 #6 Female O-Ring In; AT125596, AT151981,
 #6 Male O-Ring Out AT162848, AT63170
 Side Glass



74R3527

RD-5-7564-1P

Includes Low Pressure Switch & Moisture Indicator
 4" diameter x 7 7/8" long
 #6 Quick Disconnect
 Pressure Relief
 No Port
 Caterpillar
 06-5532,
 106-5533,
 8T8642,
 9W0549



74R4027

RD-5-11028-1P

Includes Moisture Indicator Ford 143469-C2
 4" diameter x 7 3/4" long
 #6 Female O-Ring Out;
 #6 Male O-Ring In



74R4208

RD-5-15698-0P

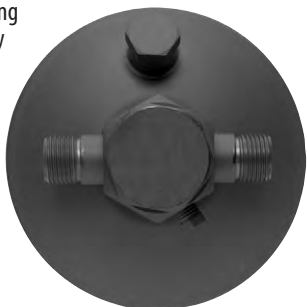
Tri Pac #61-355
 3 1/4" diameter x 6 1/4" long
 #10 Male O-Ring In and
 #10 Male O-Ring Out with Pressure Relief Valve



74R3537

RD-5-7565-1P

Includes Moisture Indicator Ford 696524
 4" diameter x 7 1/2" long
 #6 Male O-Ring
 High Capacity
 Fuse
 Side Port



74R4028

RD-5-14648-0P

4" diameter x 7 1/4" long A22-69800-000
 In/Out #8 Stat-O-Seal 22-66700-000
 2010-2012 Freightliner Cascadia
 ←Flow



74R4215

RD-5-13216-1P

4" diameter x 7" long A22-63992-000 / 001
 In/Out - #8 Stat Seals A22-72392-000
 Freightliner 2008-2010 M2, Cascadia Century/
 Columbia with Pad Type
 ←Flow



Fitting Conversion: #6 = 3/8" #8 = 1/2" #10 = 5/8" #12 = 3/4"

RECEIVER DRIERS/
 ACCUMULATORS

74R4216 RD-5-15323-0P

4" diameter x 8" long
 A22-63993-000
 In/Out - #8 Stat Seals
 ← Flow



74R4217 RD-5-15324-0P

4" diameter x 8" long
 A22-63994-001
 In/Out - #8 Stat Seals
 Coronado
 ← Flow



74R4218 RD-5-15689-1P

4" diameter x 6" long
 A22-66600-000
 In/Out #8 Stat o Seals
 A22-69799-000



74R4220 RD-5-16204-0P

3" diameter x 10 1/4" long
 Flange Fittings
 Kenworth F37-1017-200, F37-1022-200



Image Not Available

RECEIVER DRIERS/
 ACCUMULATORS

Fitting Conversion: #6 = 3/8" #8 = 1/2" #10 = 5/8" #12 = 3/4"

RECEIVER DRIERS

SIGHT GLASS MOISTURE INDICATOR

The easy to see element in this sight glass changes from blue to pink when it is time to change your Receiver Drier. (After installing a new drier indicator returns to blue.)

70R3500 RD-5-4903-0P

#6 (5/8" - 18 UNF-2A) Male O-Ring to #6 (5/8" - 18 UNF-2B) O-Ring, Female Swivel Nut



70R3530 RD-5-7071-0P

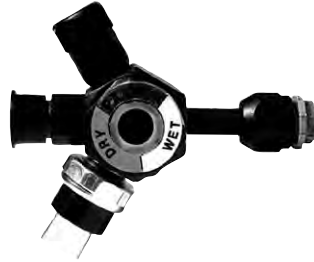
#6 (5/8" - 18 UNF-2A) Male O-Ring to #6 (5/8" - 18 UNF-2B) O-Ring, Female Swivel Nut
With high pressure relief valve (opens 450-550 psi; reseals before 400 psi & Gage port 7/16" - 020 UNF-2A thread Schrader)



RECEIVER DRIERS/
ACCUMULATORS

70R3550 RD-5-4904-0P

#6 (5/8" - 18 UNF-2A) O-Ring to #6 (5/8" - 18 UNF-2B) O-Ring, Female Swivel Nut with low pressure switch & high pressure relief valve (#6 O-Ring)



70R3590 RD-5-4813-0P

90° #6 (5/8" - 18 UNF-2A) O-Ring to #6 (5/8" - 18 UNF-2B) O-Ring, Female Swivel Nut
With pressure sensing switch & Gage port, 1/4 SAE Flare Schrader



RECEIVER DRIER ACCESSORIES

74R7210 RD-3-3454-0P

Receiver Drier Bracket



74R7220 RD-4220-0P

Receiver Drier Bracket



74R8006 RD-5-7570-0M

Fitting Adapter Assembly
#6 Adaptor to #5 Metric Fitting--



Listed in ascending order by **Diameter x Length x Fitting Type and Size**

Dia.	Length	Inlet Type	Size	Outlet Type	Size	Red Dot Part No	Red Dot Factory No	OEM No.	Description
2 1/4"	10"	Pad Type		Pad Type		74R5076	RD-5-14083-0P	20Y-979-3120	Fits Komatsu
3"	6"	Pad Type		Pad Type		74R5088	RD-5-15287-0P	3839360C92 6102498C93	ProStar Main Unit Day Cab Unit
3 1/2"	8"	Male Insert O Ring	5/8" #10	Male Insert O Ring	3/4" #12	74R5095	RD-5-11546-0P	4C4H19808-AA F6HZ-19C836A	Fits Ford, Sterling
3 1/2"	8"	Female O Ring	3/4" #12	Female O Ring	3/4" #12	74R5050	RD-5-4961-0P	849748, 15-1274	2) R-12 Ports, Fits GM & Peterbilt
3 1/2"	8 5/64"	Male Insert O Ring	5/8" #10	Male Insert O Ring	5/8" #10	74R5093	RD-5-10201-0P	089235-000	
3 1/2"	9 1/8"	Pad Mount	1"-14 UNF	Pad Mount	1"-14 UNF	74R5097	RD-5-12623-0P	3542577C2	Fits IHC/Navistar
3 1/2"	9 1/2"	Female O Ring	1 1/16"	Female O Ring	1 1/16"	74R5061	RD-5-10927-0P	18-03837	Fits Peterbilt
4 1/2"	10"	Male O-Ring	1 1/16"	Female O-Ring	1 1/16"	74R2716	RD-5-12462-0P		
4 1/4"	9 1/2"	Male Insert O-Ring	1 1/16" Male	Female Insert O-Ring	1 1/16" Female	74R5100	RD-5-16200-0P		Caterpillar 274-5909
4 1/4"	9 1/2"	Pad Type	3/4" Male	Pad Type	3/4"	74R5102	RD-5-16202-0P		Caterpillar 308-2583
4 1/4"	9"	Pad Type	3/4" Female	Pad Type	3/4" Female	74R5103	RD-5-16203-0P		Caterpillar 320-0564
5"	10 1/4"	Female Insert O-Ring	1 1/16" Female	Male Insert O-Ring	1 1/16" Female	74R5101	RD-5-16201-0P		Caterpillar 170-0235

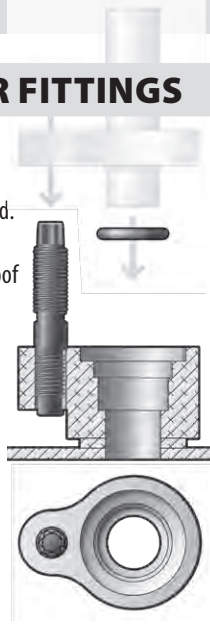
ACCESSORIES:

Accumulator Tube	Male O Ring	3/4" #12	Male Insert O Ring	3/4" #12	74R5600	RD-5-4962-0P	Accumulator tube for GM, Fits 74R5050 Accumulator
Adapter	#6 Adapter to #5 Metric Fitting		Female Spring Lock	3/4" #12	74R8006	RD-5-7570-0M	Adapter, 2 per Package

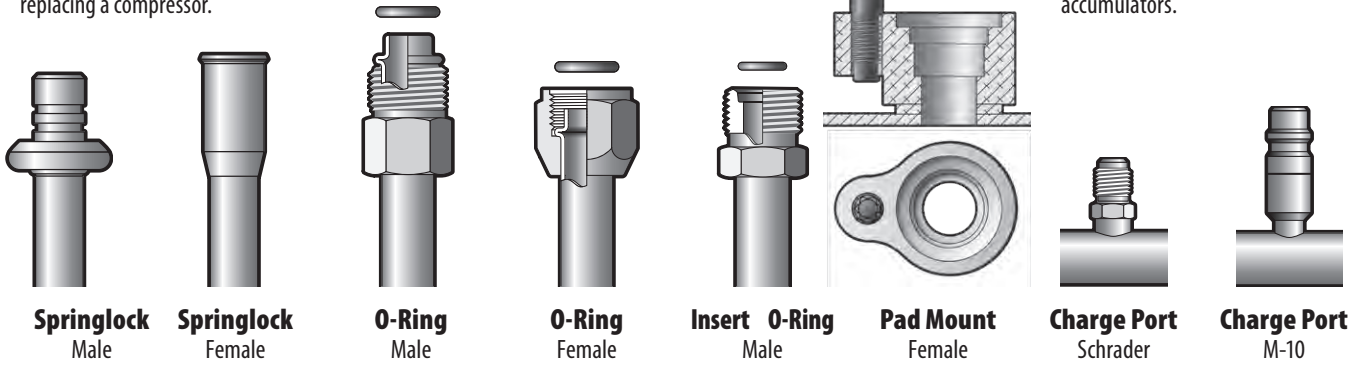
Fitting Conversion: #6 = 3/8" #8 = 1/2" #10 = 5/8" #12 = 3/4"

GUIDE TO ACCUMULATOR FITTINGS

Components in an air conditioning system require a clean, non-corrosive environment. Moisture is corrosive to air conditioner system components and must be eliminated for efficient a/c system operation. Any time the a/c system is opened, the accumulator and orifice tube need to be replaced. A good preventative maintenance practice is to replace the accumulator / orifice tube at regular intervals (at least once a year). A/C compressor manufacturer's warranties will be void without proof of flushing the system, accompanied by replacement of the accumulator and orifice tube when replacing a compressor.



Accumulators have a variety of connecting fittings, often connected to tubing designed for a specific application. Here are the different types of fitting connections you will experience while working with accumulators.



Springlock Male **Springlock Female** **O-Ring Male** **O-Ring Female** **Insert O-Ring Male** **Pad Mount Female** **Charge Port Schrader** **Charge Port M-10**

74R2716 RD-5-12462-0P
 4 1/4" diameter x 10" long
 Inlet: 1 1/16"
 Outlet: 1 1/16"
 No Desiccant



74R5050 RD-5-4961-0P
 Universal Accumulator for
 Peterbilt 849748, 15-1274, JC1080
 3 1/2" diameter x 8" long
 Inlet: 3/4" (#12) Female O-Ring
 Outlet: 3/4" (#12) Female O-Ring
 Two R-12 Ports



74R5062 RD-5-9556-1P
 Peterbilt 18-04171
 3 1/2" diameter x 9 1/8" long
 Inlet: Pad Mount
 Outlet: Pad Mount



74R2717 RD-5-12462-1P
 4 1/4" diameter x 10" long
 Inlet: 1 1/16"
 Outlet: 1 1/16"
 W/ Desiccant



74R5061 RD-5-10927-0P
 Peterbilt 357, 375, 378, 379, 385. 18-03837
 3 1/2" diameter x 9 1/2" long
 Inlet: 1 1/16" Female O-Ring
 Outlet: 1 1/16" Female O-Ring



74R5093 RD-5-10201-0P
 Ford OE #089235-000
 3 1/2" diameter x 8 5/64" long
 Inlet: 5/8" (#10) Male Insert O-Ring
 Outlet: 5/8" (#10) Male Insert O-Ring
 With 71R6095 Pressure Switch



RECEIVER DRIERS / ACCUMULATORS

LS = Limited to stock on hand

ACCUMULATORS

74R5095 RD-5-11546-0P

Ford F6HH-19E647AA, F6HZ-19C836A
 3 1/2" diameter x 8" long
 Inlet: 5/8" (#10) Male Insert O-Ring
 Outlet: 3/4" (#12) Male Insert O-Ring



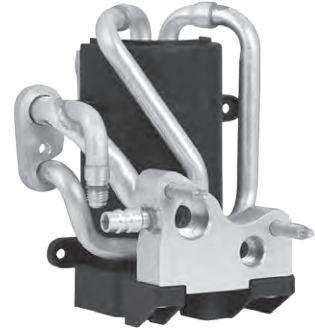
74R5401 RD-5-14650-0P

Navistar Maxx Force
 3666273-C1



74R5088 RD-5-15287-0P

3839360C92
 3" diameter x 6" long



74R5097 RD-5-12623-0P

IHC / Navistar 3542577-2, BOA80-323-00-139
 3 1/2" diameter x 9 1/8" long
 Inlet: Pad Mount 1"-14 UNF
 Outlet: Pad Mount 1"-14 UNF
 Switch Port: M12 x 1.5
 Bracket Mount:
 2)M8 x 1.25 female thread
 Adjustable Studs



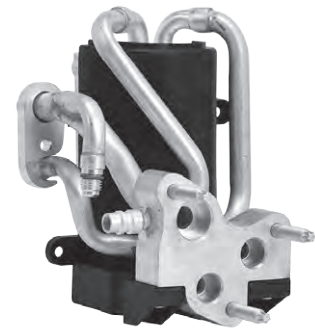
74R5405 RD-5-14045-0P

Navistar Prostar
 3670134-C1
 P6546001



74R5090 RD-5-15697-0P

3843558C92
 6102500C92



RECEIVER DRIERS/
ACCUMULATORS

74R5099 RD-5-10202-0P

Ford Sterling F1HZ19C836C
 3 1/2" diameter x 10" long
 Two swivel ports



74R5076 RD-5-14083-0P

Komatsu
 2 3/4" diameter x 10" long
 204-979-3120



74R5100 RD-5-16200-0P

Caterpillar 274-5909
 4 1/4" diameter x 9 1/2" long
 Inlet: 1 1/16" Male
 Outlet: 1 1/16" Female



Image Not Available

LS = Limited to stock on hand

For Sight Glass Moisture Indicator and Quick Disconnect Fittings see Fittings Section.

74R5101 RD-5-16201-0P

Caterpillar 170-0235
 5" diameter x 10 1/4" long
 Inlet: 1 1/16" Male
 Outlet: 1 1/16" Female



Image Not Available

74R5102 RD-5-16202-0P

Caterpillar 308-2583
 4 1/4" diameter x 9 1/2" long
 Inlet: 3/4" Male
 Outlet: 3/4" Female



Image Not Available

74R5103 RD-5-16203-0P

Caterpillar 320-0564
 4 1/4" diameter x 9" long
 Inlet: 1 1/16" Male
 Outlet: 1 1/16" Female



Image Not Available

ACCUMULATOR ACCESSORIES

74R5600 RD-5-4962-0P

Accumulator Tube for 74R5050, fits GM
 3/4" (#12) Male O-Ring (1 3/4"-16 thread)
 3/4" (#12) Male Insert O-Ring (1 3/4"-14 thread)



74R8006 RD-5-7570-0M

Fitting Adapter Assembly
 #6 Adaptor to #5 Metric Fitting—
 2 Per Package



CONTROL SWITCHES

ROTARY ACTUATORS

Compact electronic actuators for mode door, blend air door, air distribution, and water valve actuation. **12 and 24 Volts DC**

71R3572 RD-5-13605-0P

Servo Actuator, 126° maximum travel, Red N



71R3578 RD-5-9021-0P

Feedback Actuator, 130° maximum travel



71R3581 RD-5-14608-0P

Actuator - 12V 5-pin
OE#3599602-C1 OE#3452606C1;
2611234C1



71R3595 RD-5-15544-0P

OE#P93CAB0201-015



71R3574 RD-5-13604-0P

Two Position Actuator, 140° maximum travel, Green T



71R3570 RD-3-6038-0M

Nylon Rod Adapter
Dimensions: 1 5/32" x 3/8" x 5/8" depth



71R3582 RD-5-14609-0P

Actuator - 12V 4-pin
OE#2503207-C1; 7787-650694



UNIVERSAL SEALED ACTUATOR

71R3583 RD-5-15544-0P

Universal, 12 Volt or 24 Volt
Mounts in same manner as many OE actuators, sealed to IP68, control signal by linear voltage (potentiometer) or or 100 Hz pulse width modulation (PWM) signal.
4-pin Deutsch sealed connection
104° maximum travel



71R3579 RD-5-13540-0P

Servo Actuator, 104° maximum travel, Red D



71R3575 RD-5-6320-0P

Red Label D161124932
OE# P93CAA0200-015



71R3585 RD-5-14610-0P

Actuator - 12V 2-pin
OE#3542575C1



71R3576 RD-5-9063-0P

Servo Actuator - Sealed, 126° maximum travel sealed to IP68



71R3580 RD-5-14607-0P

Moto Mode Control - 2 terminal
4000/8000 Series
OE#3452606C1; 3611234C1



71R3593 RD-5-15543-0P

OE#P93CAB0200-015



AIR SENSING SWITCHES

72R0050

RD-5-4475-0P

Normally Closed,
Opens at 25 PSIG
1/8"-27 NPTF Male



72R0070

RD-5-5538-0P

Normally Open,
Closes at 21 TO 29 PSIG
1/8" - 27 NPTF Male



RED DOT AIR SWITCHES

72R0100

RD-5-4740-0P

Air Switch Guard



72R0220

RD-5-3827-2P

Nickle plated toggle



72R0600

RD-5-5721-0P

Black Toggle with Quick Connect
fitting 1/4" In and 1/4" Out



72R0190

RD-5-5721-1P

Black Toggle
With Quick Connect fittings
1/4" in and 1/4" out



72R0240

Rd-5-3827-4P

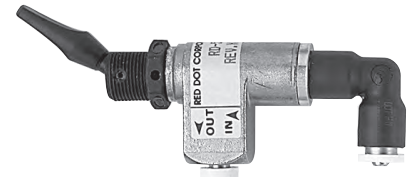
Chrome Push Button
Momentary Off/Maintain On



72R0610

RD-5-4721-0P

Black Toggle with Quick Connect fitting
1/4" In and 1/8" Out



72R0200

RD-5-3827-0P

Black Toggle, Flat



72R0260

RD-5-3827-6P

Black Toggle



72R0270

RD-5-3827-10P

Black Toggle, Flat with Switch Guard



72R0210

RD-5-3827-1P

Black Toggle, Round



72R0500

RD-5-4747-0P




TOGGLE with guard used in fifth wheel slide and other pneumatic applications.
Inlet & outlet are 1/8"-27 NPTF Female





AIR HOSE SHOWN IN SECTION 78
Chrome mounting nut (1 1/2-32 UNF-2B)

AIR CYLINDERS / HYDRAULIC CONTROL VALVES

SINGLE ACTION RED DOT AIR CYLINDERS

Part No.	Factory No.	Cylinder Diameter	Cylinder Length	Stroke	Material	Mount	Air Fitting	
72R1100	RD-3267-1P	.75"	3.25"	1.02"	Brass	D	A	
72R1200	RD-5-5414-4P	.625"	3.69"	1.10"	Plastic	F	B	
72R1210	RD-5-5784-5P	.625"	3.69"	1.10"	Plastic	F	C	

DOUBLE ACTING RED DOT AIR CYLINDERS

Part No.	Factory No.	Cylinder Diameter	Cylinder Length	Stroke	Material	Mount	Air Fitting	
72R1300	RD-5-5424-1P	.69"	4.74"	.5"	Plastic	F	B	
72R1310	RD-5-6028-1P	.79"	5.34"	.375"	Plastic	F	C	

- A 1/8" NPT Threads
- B 1/8" Nylon Hose Push-in Fitting
- C 3/16" Nylon Hose Push-in Fitting
- D 9/16"-18 UNF-2A Threaded Mounting
- F Plastic Mounting Plate

SOLENOID VALVE

Provides electric control for operation of air cylinders, air actuated shutters, air controlled clutching fans.
Solenoid can be normally open or normally closed depending on control port used.
1/8" - 27 NPT Threads

72R1502

RD-5-0060-0P

12 VDC – Draws .65 AMPS



72R1504

RD-5-0060-24P

24 VDC – Draws .45 AMPS



CIRCUIT BREAKERS

Listed in ascending order by current (amps) rating

Amps	Mounting Dimensions				Dimension	Shaft Contact	Terminal Description	Voltage Rating	Maximum Operating Voltage	Part No.	Factory No.
	Length	Width	Height								
5	1 3/8"	1 3/8"	1 1/16"		7/16" - 28 thread	2	1/4" Blade	250VAC	50VDC	71R1320	RD-5-7807-0P
15	1 3/8"	1 3/8"	1 1/16"		7/16" - 28 thread	2	1/4" Blade	250VAC	50VDC	71R1310	RD-5-6602-0P
20	1 3/8"	1 3/8"	1 1/16"		7/16" - 28 thread	2	1/4" Blade	250VAC	50VDC	71R1315	RD-5-6714-0P
25	1 3/8"	1 3/8"	1 1/16"		7/16" - 28 thread	2	1/4" Blade	250VAC	50VDC	71R1325	RD-5-7809-0P
30	1 3/8"	1 3/8"	1 1/16"		7/16" - 28 thread	2	1/4" Blade	250VAC	50VDC	71R1300	RD-5-5874-0P
35	1 3/8"	1 3/8"	1 1/16"		7/16" - 28 thread	2	1/4" Blade	250VAC	50VDC	71R1330	RD-5-7192-0P

71R1300 RD-5-5874-0P
 Current Rating: 30 amp
 Maximum operating voltage: 50VDC @250VAC
 Terminal: 1/4" blade
 Dimensions: 1 3/8" x 1 3/8" x 2/3"
 Mounting: 7/16", 28 thread



71R1315 RD-5-6714-0P
 Current Rating: 20 amp
 Maximum operating voltage: 50VDC @250VAC
 Terminal: 1/4" blade
 Dimensions: 1 3/8" x 1 3/8" x 2/3"
 Mounting: 7/16", 28 thread



71R1325 RD-5-7809-0P
 Current Rating: 25 amp
 Maximum operating voltage: 50VDC @250VAC
 Terminal: 1/4" blade
 Dimensions: 1 3/8" x 1 3/8" x 2/3"
 Mounting: 7/16", 28 thread



71R1310 RD-5-6602-0P
 Current Rating: 15 amp
 Maximum operating voltage: 50VDC @250VAC
 Terminal: 1/4" blade
 Dimensions: 1 3/8" x 1 3/8" x 2/3"
 Mounting: 7/16", 28 thread



71R1320 RD-5-7807-0P
 Current Rating: 5 amp
 Maximum operating voltage: 50VDC @250VAC
 Terminal: 1/4" blade
 Dimensions: 1 3/8" x 1 3/8" x 2/3"
 Mounting: 7/16", 28 thread



71R1330 RD-5-7192-0P
 Current Rating: 35 amp
 Maximum operating voltage: 50VDC @250VAC
 Terminal: 1/4" blade
 Dimensions: 1 3/8" x 1 3/8" x 2/3"
 Mounting: 7/16", 28 thread

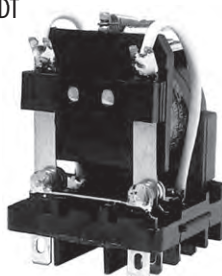


SWITCHES

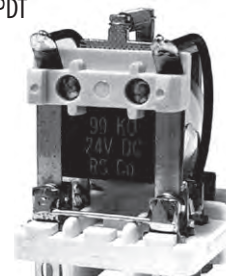
TWIN TEMPERATURE RELAYS

Amps	Mounting Dimension				Hole - Hole Dimension	Terminal	Speed Contact	Voltage		Rating	Rating	Part No.	Factory No.
	Length	Width	Height										
10	1 7/16"	1 1/4"	2"		NA	8, DPDT	NA	12V	NA	12V	Pull-in: 9.0 V Max. Drop Out: 1.2V 120 ohms, Socket Mount, 3/16" blade term.	71R1652	RD-4370-0P
5	1 5/8"	1 1/4"	1 7/8"		NA	8, DPDT	NA	24V	NA	24V	99K ohm resistance coil, socket mount	71R1654	RD-5-4287-0P

71R1652 RD-4370-0P
 12V Relay, 8 Terminal, DPDT



71R1654 RD-5-4287-0P
 24V Relay, 8 Terminal, DPDT



ELECTRICAL SWITCHES

CONTROL KNOBS

71R4010 RD-5-8654-1P

Convex, Flush Mount
 Diameter: 1.6"
 Height: .91"
 "D" Shaft diameter: 1/4" @ 46°



71R4011 RD-5-8654-2P

Convex, Flush Mount
 Diameter: 1.6"
 Height: .91"
 "D" Shaft diameter: 1/4" @ 270°



71R4015 RD-5-8812-0P

Convex, Flush Mount
 Diameter: 1.31" with pointer: 1.61"
 Height: .88"
 "D" Shaft diameter: 1/4" @ 90°



71R4020 RD-5-8654-0P

Convex, Flush Mount
 Diameter: 1.6"
 Height: .91"
 "D" Shaft diameter: 1/4" @ 90°



71R4030 RD-5-4302-0M

Black Plastic Press Fit
 Lever control
 Base: .400 X .390
 Height: 7/8"
 Fits: .3" x .1" lever shaft,
 spring retainer



71R4035 RD-5-4450-0P

Black Plastic Press Fit
 Lever control
 Base: .67" x .45"
 Height: 5/8"
 Fits: .3" x .1" lever shaft,
 spring retainer



71R4040 RD-5-5928-0P

1/4" Shaft & Set Screw



71R4050 RD-4181-0P

1/4" Shaft & Set Screw
 45° offset
 Flush mount
 Diameter: 1 1/4"
 Height: .85"
 Shaft recess: 3/4"



71R4060 RD-5-8075-0P

1/4" Shaft & Set Screw
 45° offset
 Flush mount
 Diameter: 1 1/4"
 Height: .85"
 Shaft recess: 3/4"



71R4063 RD-5-8134-0P

Control knob for
 electronic water valves
 72R7000 and 72R7100



71R4065 RD-5-9133-0M

Control knob for
 water valves, optional for
 72R7000 and 72R7100



71R4105 RD-5-8673-0P

10-32 Internal Threads
 Shaft diameter: 1/4"



PUSH BUTTON SWITCH

71R0030 RD-5-8459-0P

12v AC Compressor Switch SPST, 6 amps,
1/2" square button, 1 3/4" frame



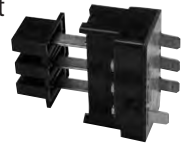
71R0031 RD-5-10686-0P

24v AC Compressor Switch SPST, 6 amps,
1/2" square button, 1 3/4" frame



71R0040 RD-5-4283-0P

3-Speed Fan Switch, 12 volt
Base: 1 1/8" x 2"
Length: 2 3/4"
1/4" Blade Connector



MICRO SWITCH

71R1610 RD-5-8490-0P

15 amp, 12 volt, SPDT, 2 Terminal
Normally Open
Base: 1 1/4" x 5/8" x 5/8"



71R1620 RD-5-10590-0P

15 amp, 12 volt, DPDT, 3 Terminal



DIODE

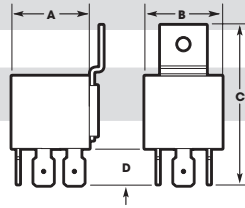
71R1900 RD-5-4216-0P

Used on R-6100 & R-6160



ELECTRICAL SWITCHES

RELAYS



Listed in ascending order by dimension:

A=Base length **B**=Base width **C**=Overall length **D**= Blade length

Dimensions				Rating/Description	Terminals		Red Dot Part No.	Factory No.	
A	B	C	D		Pole #	Type			
1 1/8	13/16	1 5/8	1/4	Contact Rating: 15 amps @ 30 VDC, 12V	DPDT	8	1/4 male blade	71R1802	RD-5-5027-1P
1 1/8	1	1.91	1/2	Make/Break: 30/20 amps, 12V	SPDT	5	1/4 male blade	71R1702	RD-5-4408-0P
1 1/8	1	2.05	1/2	Make/Break: 20/10 amps, 24V	SPDT	5	1/4 male blade	71R1704	RD-5-4417-0P
1 1/8	1 1/8	2 15/32	1/2	Make/Break: 40/30 amps, 12V Relay w Diode	SPDT	5	1/4 male blade	71R1722	RD-5-9915-0P
1 3/8	1 3/8	1 7/16	1/2	5 contact spade connector. For Metripak connection.	NA	5	1/4 male blade	71R1910	RD-5-8210-0P
1 13/32	1 13/32	2 5/8	1/2	Contact Rating: Open, 60 amps, closed 40 amps, 12V	SPDT	5	1/4 male blade	71R1902	RD-5-6690-0P
1 13/32	1 13/32	2 5/8	1/2	Contact Rating: Open, 20 amps, closed 15 amps, 24V	SPDT	5	1/4 male blade	71R1904	RD-5-6693-0P
1 13/32	1 13/32	2 5/8	1/2	Contact Rating: Open, 50 amps, closed 30 amps, 12V	SPDT	5	1/4 male blade	71R1912	RD-5-7232-0P
1 13/32	1 13/32	2 5/8	1/2	Contact Rating: 20/15 amps, 24V	SPDT	5	1/4 male blade	71R1914	RD-5-7233-0P

71R1702 RD-5-4408-0P

12V Relay, 30/20 amps, SPDT, 5 terminals Bosch type



71R1802 RD-5-5027-1P

12V Relay, 15 amps, DPDT, 8 terminals



71R1910 RD-5-8210-0P

Relay Connector Kit – For Metri-Pack Relays, 5 terminals



71R1704 RD-5-4417-0P

24V Relay, 20/10 amps, SPDT, 5 terminals Bosch type



71R1902 RD-5-6690-0P

12V Relay, 60/40 amps, SPDT, 5 terminals



71R1912 RD-5-7232-0P

12V Relay with coil suppression, 50/30 amp, SPDT, 5 terminals



71R1722 RD-5-9915-0P

12V Relay with Diode 40/30 amps, SPDT, 5 terminals



71R1904 RD-5-6693-0P

24V Relay, 20/15 amps, SPDT, 5 terminals



71R1914 RD-5-7233-0P

24V Relay with coil suppression, 20/15 amps, SPDT, 5 terminals



SWITCHES

RESISTORS

Ohms	Mounting Length	Dimension Width	Hole to Hole Dimension Height	Terminal Dimension	Contact	Voltage Speed	Rating	Description	Part No.	Factory No.
1.5	2 1/4	1 1/2	1	1 3/4	3	3	12V	Pos 1 to 3: 9 amps @ .50 ohms Pos 1 to 2: 4 amps @ 1.5 ohms	71R1450	RD-5-3647-0P
N/A	2 1/4	1 1/2	1 3/16	1 3/4	4	4	12V	1/4" Spade Term	71R1462	RD-5-13299-0P
N/A	3	1 1/4	1 1/4	2 1/2	3	3	12V	.10" thick Bakelite base, 1/4" Spade Term	71R1457	RD-5-10341-0P
1.3	3 1/4	1 3/8	1 3/8	2 3/4	4	4	12V	.10" thick Bakelite base, 1/4" Spade Term	71R1455	RD-5-6450-0P
N/A	N/A	N/A	N/A	N/A	3	3	12V	.10" thick Bakelite base, 1/4" Spade Term	71R1463	RD-5-10441-0P
N/A	N/A	N/A	N/A	N/A	N/A	N/A	12V	.10" thick Bakelite base, 1/4" Spade Term	71R1465	RD-5-8923-0P
N/A	3	1 1/4	1 1/4	2 1/2	3	3	12V	.10" thick Bakelite base, 1/4" Spade Term	71R1467	RD-5-13239-0P

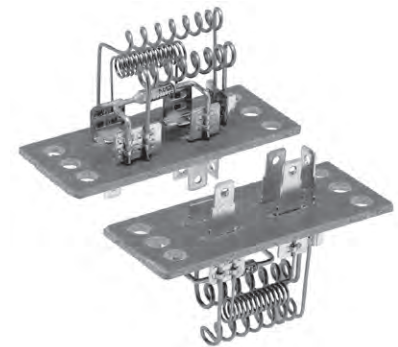
71R1450 RD-5-3647-0P
3 Terminals (1/4" blade) / 3 Speeds
Bakelite base: 2 1/4" x 1 1/2" x .10" thick – Height: 1"



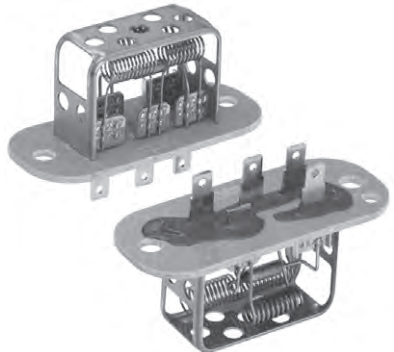
71R1462 RD-5-13299-0P
4 Terminals (1/4" blade) / 4 Speeds
Bakelite base: 2 1/4" x 1 1/2" x .10" thick – Height: 1 3/16"
IHC#506552C1



71R1467 RD-5-13239-0P
4 Terminals (1/4" blade) / 3 Speeds
Bakelite base: .10" thick



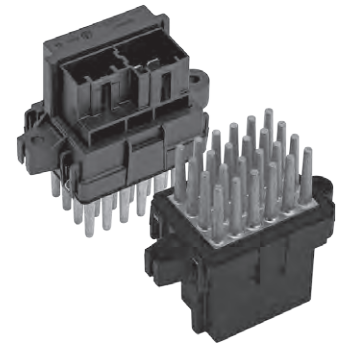
71R1455 RD-5-6450-0P
4 Terminals (1/4" blade) / 4 Speeds
Bakelite base: 3 1/4" x 1 3/8" x .10" thick – Height: 1 3/8"



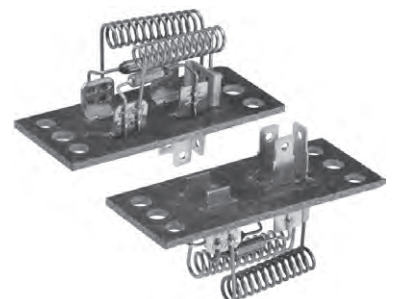
71R1463 RD-5-10441-0P
3 Terminals (1/4" blade) / 3 Speeds
Bakelite base: .10" thick



71R1475 RD-5-14601-0P
LPM Module/Resistor – 12 volt, 4 spade, 3 pin
Navistar Prostar #3626414-C1, K2675
2007-10



71R1457 RD-5-10341-0P
3 Terminals (1/4" blade) / 3 Speeds
Bakelite base: 3" x 1 1/4" x .10" thick – Height: 1 1/4"



71R1465 RD-5-8923-0P
4 Terminals (1/4" blade) / 3 Speeds
Bakelite base: .10" thick



71R1477 RD-5-15500-0P
LPM Module/Resistor
Navistar #2510671C1



SWITCHES

RESISTORS

FAN RESISTORS

Ohms	Length	Dia.	Height	Hole to Hole Dimension	Terminal Contact	Speed	Voltage Rating	Description	Part No.	Factory No.
2.36	6 1/2	1 3/16	1 3/16	N/A	4	Variable	12V	Fan Resistor, Ceramic (Black wrapped) 1/4" Spade Term. JD Crawler 650H	71R1485	RD-5-8665-0P
5.22	7	1 1/4	2 3/4	6	4	Variable	24V	Fan Resistor, Ceramic (White), L Bracket 1/4" Spade Term. JD Crawler 700H	71R1480	RD-5-9062-0P
N/A	2	2 1/2 width	1 3/16	N/A	2	Variable	12V	Slide Potentiometer with Diode, Lever style Packard connector 2984528	71R1510	RD-6-4661-0P
10K	N/A	1	1 1/2 with knob	N/A	5	Variable	12V	Rotary Potentiometer with Diode 56 Series 1/4" Spade Receptacle	71R1520	RD-6-4691-0P
5K	5 3/4	1	1 4/9	N/A	3	Variable	12/24V	Rotary Potentiometer with Diode Metripak Connector	71R1530	RD-5-8487-1P

71R1480 RD-5-9062-0P

4 Terminals (1/4" blade) / Variable Speed 24 volt, 5.22 ohm, Length: 7", Diameter: 1 1/4", Mounting Height: 2 3/4", Ceramic (white) JD Crawler Dozer 700H



71R1485 RD-5-8665-0P

4 Terminals (1/4" blade) / Variable Speed 12 volt, 2.36 ohm, Length: 6 1/2", Diameter: 1 3/16", Ceramic (black wrapped) JD Crawler Dozer 650H



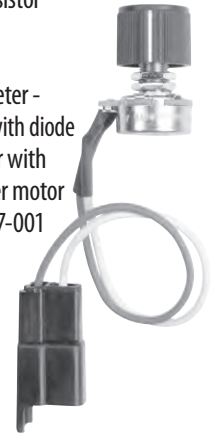
71R1510 RD-6-4661-0P

Variable resistor assembly, sliding potentiometer with lever Two Contacts Length: 2" Diameter: 2 1/2" Height: 1 3/16"



71R1520 RD-6-4691-0P

Variable resistor assembly, Rotary potentiometer - 10k ohms with diode Freightliner with Behr blower motor #A06-21497-001



71R1530 RD-5-8487-1P

Variable resistor assembly, Rotary potentiometer - 5k ohms, knob not included Metripak Connection



SWITCHES

LPM MODULE

71R1470 RD-5-14651-0P

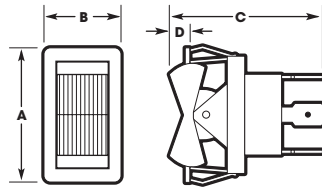
Resistor 5 Terminal Navistar 3562102C1



71R1472 RD-5-16211-0P

Resistor 4 Terminal OE# 20443826

ROCKER SWITCHES



Listed in ascending order by dimension:

A=Base length **B**=Base width

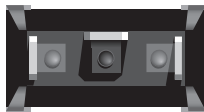
C=Overall Depth **D**=Flange to Rocker Height

Dimensions				Type	Rating	Function	No. of		Light Illumination	Red Dot Part No.	Factory No.
A	B	C	D				Terminals	Type			
7/8	5/8	1	1/8	SPST	12VDC, 15 amps	On-Off	3	1/4 male blade	Blue	71R0512	RD-5-9037-0P
7/8	5/8	1	1/8	SPST	12VDC	On-Off	3	1/4 male blade	Green	71R0522	RD-5-8830-0P
7/8	5/8	1	1/8	SPST	12VDC	On-Off	3	1/4 male blade	White	71R0532	RD-5-8831-0P
7/8	5/8	1	1/8	SPST	12/24VDC	Off-On	2	1/4 male blade	None	71R0840	RD-5-8967-0P
1 1/2	5/8	1 3/4	1/4	SPDT	12VDC, 15 amps	On-Off-On	3	1/4 male blade	None	71R0500	RD-4151-1P
1 1/16	7/8	1 7/8	3/8	DPDT w jumper	12VDC, 15 amps	On-Off-On	5	1/4 male blade	None	71R0550	RD-4151-2P
1 1/16	7/8	1 7/8	3/8	DPDT	12VDC	On-Off-On	6	1/4 male blade	None	71R0600	RD-4151-4P
1 1/16	7/8	1 7/8	3/8	DPST w jumper	12VDC	On-On	5	1/4 male blade	None	71R0650	RD-4151-6P
1 1/16	7/8	1 7/8	3/8	SPST	12VDC	On-On	2	1/4 male blade	None	71R0700	RD-4151-7P
2	1	2	1/2	DPDT	12VDC	Off-On-On	4	1/4 male blade	Blue	71R0852	RD-5-7215-0P
2	1	2	1/2	DPDT	24VDC	Off-On-On	4	1/4 male blade	Blue	71R0854	RD-5-7183-0P
2	1	2	1/2	SPDT	12VDC	On-Off-On*	4	1/4 male blade	Red	71R0862	RD-5-8315-0P
2	1	2	1/2	DPDT	12VDC	On-On-On	4	1/4 male blade	None	71R0872	RD-5-7181-0P
2	1	2	1/2	SPST	24VDC	Off-On*	4	1/4 male blade	White	71R0884	RD-5-8995-0P
2 7/8	1 5/16	1 7/8	3/8	—	12VDC	—	8	1/4 male blade	Blue	71R0892	RD-5-8509-0P

71R0500

RD-4151-1P

SPDT Type
Function: On-Off-On
3 Terminals, 12 VDC
15 amps



71R0532

RD-5-8831-0P

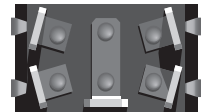
SPST Type
Function: On-Off
3 Terminals 12 VDC
White Light



71R0650

RD-4151-6P

DPST Type with Jumper
Function: On-On
5 Terminals



71R0512

RD-5-9037-0P

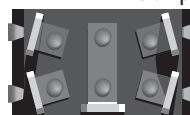
SPST Type
Function: On-Off
3 Terminals 12 VDC
15 amps, Blue Light



71R0550

RD-4151-2P

DPDT Type with Jumper
Function: On-Off-On
5 Terminals, 12 VDC
15 amps



71R0700

RD-4151-7P

SPST Type
Function: On-On
2 Terminals



71R0522

RD-5-8830-0P

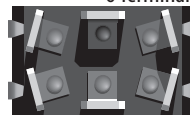
SPST Type
Function: On-Off
3 Terminals 12 VDC
Green Light



71R0600

RD-4151-4P

DPDT Type
Function: On-Off-On
6 Terminals



71R0840

RD-5-8967-0P

SPST Type
Function: Off-On
2 Terminals 12/24 VDC



ROCKER SWITCHES

71R0852

RD-5-7215-0P

DPDT Type
Function: Off-On-On
4 Terminals 12 VDC
Blue Light



71R0892

RD-5-8509-0P

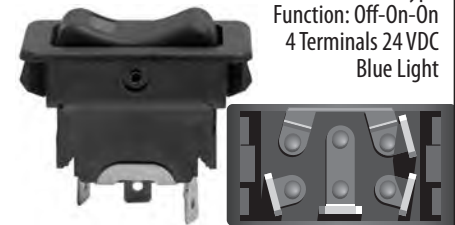
8 Terminals 12 VDC
Blue Light



71R0854

RD-5-7183-0P

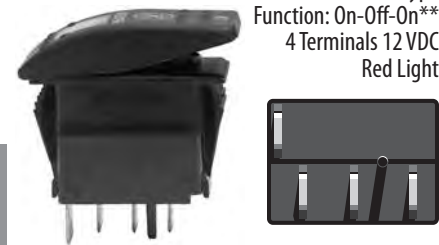
DPDT Type
Function: Off-On-On
4 Terminals 24 VDC
Blue Light



71R0862

RD-5-8315-0P

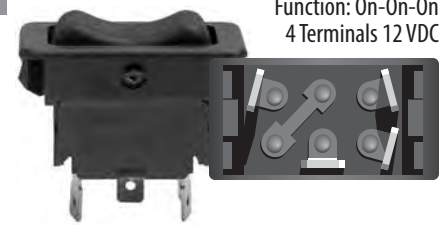
SPDT Type
Function: On-Off-On**
4 Terminals 12 VDC
Red Light



71R0872

RD-5-7181-0P

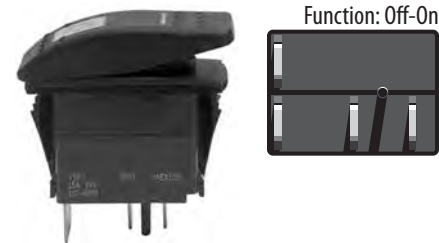
DPDT Type
Function: On-On-On
4 Terminals 12 VDC



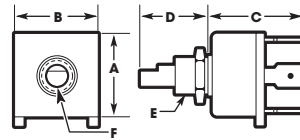
71R0884

RD-5-8995-0P

SPST OE Cat #107-6070
Function: Off-On



SWITCHES



Listed in ascending order by dimension:

A=Base length **B**=Base width **C**=Overall Depth

D= Flange to Shaft Height **E**=Diameter-Thread **F**= "D" Shaft Diameter

Dimensions						Type	Rating	Function	No. of Terminals	Type	Red Dot Part No.	Factory No.
A	B	C	D	E	F							
1	1	1 1/4	11/16	7/16"-28UNF	1/4			Off-Low-High	4	1/4 male blade	71R1167	RD-5-8013-0P
1	1	1 1/4	1	7/16"-28UNF	1/4	DP3T	25 amps	Off-Low-Med-High	5	1/4 male blade	71R1150	RD-5-3646-0P
1 5/32	1 1/16	1 1/4	5/8	7/16"-28UNF	1/4	DP3T	15 amps	Off-Low-Med-High	5	1/4 male blade	71R1165	RD-5-3779-0P
1 5/32	1 1/16	1 1/4	11/16	7/16"-28UNF	3/8	DP3T	25 amps	Off-Low-Med-High	5	1/4 male blade	71R1160	RD-5-9833-0P
1 5/32	1 1/16	1 1/4	7/8	7/16"-28UNF	1/4	DP3T	25 amps	Off-Low-Med-High	5	1/4 male blade	71R1163	RD-5-10934-0P
1 5/32	1 1/16	1 25/32	11/16	7/16"-28UNF	1/4	DP3T	18 amps	Off-Low-Med-High	5	1/4 male blade	71R1210	RD-5-5194-0P
1 5/16	1 7/16	2 5/8	5/8	7/16"-28UNF	1/4	DP3T	15 amps 12VDC	Off-Low-Med-High	5	1/4 male blade	71R1200	RD-5-4908-0P
1 3/4	1 3/8	1 5/32	1 1/4	3/8"-24	1/4	DP3T	25 amps	Off-Low-Med 1-Med 2-High	6	1/4 male blade	71R1175	RD-5-8771-0P

71R1150 RD-5-3646-0P

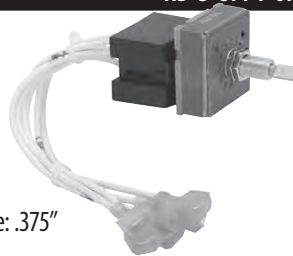
3 speed, Long Shaft
DP3T
4-position
5 terminals
25 amps



Mounting hole: .442" x .385" - "D" hole

71R1175 RD-5-8771-0P

5 speed
DP3T
5-position
6 terminals
25 amps



Mounting hole: .375"

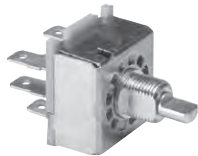
71R1210* RD-5-5194-0P

3 Speed with Resistor -
DP3T,
4-position,
5 terminals
18 amps
Uses Knob
71R4050, right.
Mounting hole: .500"



71R1160 RD-5-9833-0P

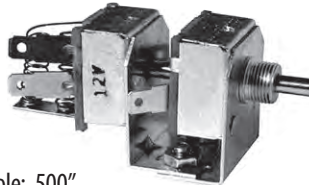
3 speed, Short Shaft
DP3T
4-position
5 terminals
25 amps



Mounting hole: .442" x .385" - "D" hole

71R1200 RD-5-4908-0P

Tandem Blower Switch With Resistor
DP3T,
4-position,
5 terminals
15 amps



Mounting hole: .500"

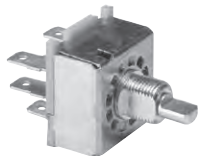
71R6259 RD-5-15293-0P

Blower Switch,
OE #-3600338C1
ProStar



71R1163 RD-5-10934-0P

3 speed
DP3T
4-position
5 terminals
25 amps



Mounting hole: .442" x .385" - "D" hole

71R1167 RD-5-9013-0P

2 Speed
3-position
4 terminal



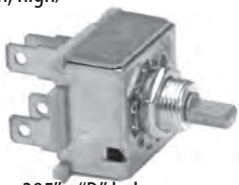
71R6261 RD-5-15294-0P

Blower Switch,
OE #3600339C1



71R1165 RD-5-3779-0P

3 speed (low, medium, high)
DP3T,
5-position,
5 terminals
15 amps



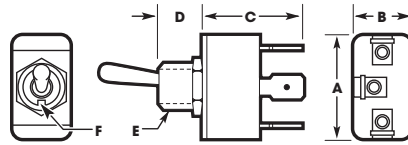
Mounting hole: .442" x .385" - "D" hole

LS = Limited to stock on hand

TOGGLE SWITCHES

Listed in ascending order by dimension:

A=Base length **B**=Base width **C**=Flange to Blade End
D= Flange to Bezel Shaft Top **E**=Diameter-Thread **F**= Keyway



All terminal utilize a 1/4" male blade connection

Dimensions						Type/Description	Function	No. of Terminals	Red Dot Part No.	Factory No.
A	B	C	D	E	F					
1 1/8	5/8	1 1/64	1/2	15/32-32UNS-2A	.072 x .038	SPST / Chrome	On-Off	2	71R0010	RD-5-3748-0P
1 1/8	5/8	1 3/32	1/2	15/32-32UNS-2A	.072 x .038	SPDT / Black	On-Off-On	3	71R0100	RD-4123-1P
1 3/16	3/4	1 1/4	1/2	15/32-32UNS-2A	.072 x .038	DPDT / Chrome	On-On-On	4	71R0400	RD-5-0071-0P
1 3/16	3/4	1 1/4	1/2	15/32-32UNS-2A	.072 x .038	DPDT / Chrome	On-Off-On	6	71R0200	RD-4123-2P
1 3/16	3/4	1 3/16	1/2	15/32-32UNS-2A	.068 x .035	DPDT / Black	On-Off-On	5	71R0250	RD-5-3599-0P
1 3/16	3/4	1 11/32	1/2	15/32-32UNS-2A	.068 x .035	SPST / Black	On-Off	3	71R0050	RD-5-3923-0P
1 1/2	1	1 1/4	1 3/4	Lever	Lever	SPST / Lever	Off-On-On-On	5	71R0450	RD-5-4694-1P
1 3/4	3/4	1 1/2	7/8	Paddle	Paddle	SPDT / Safety	On-Off-On	3	71R0150	RD-4225-1P
1 3/4	3/4	1 1/2	7/8	Paddle	Paddle	DPDT / Safety	On-Off-On	5	71R0300	RD-4225-2P
1 15/16	1 11/16	1 3/16	1 25/32	Lever	Lever	DP4POS / Lever	Off-On-On-On	10	71R0470	RD-5-5302-1P
				15/32-32UNS-2A	1/4"	DPDT / Black	On-On-On	4	71R0260	RD-5-5400-0P
				15/32-32UNS-2A		3PDT / Chrome	On-Off-On	9	71R0350	RD-5-3988-0P
				Lever	Lever	SPST / Bent Lever	Off-On-On-On	5	71R0453	RD-5-10056-0P
				Lever	Lever	SPST / Lever	Off-On-On-On	5	71R0460	RD-5-6804-0P
				Lever	Lever	4 Position / Lever	Off-Low-Med-Hi	4	71R0475	RD-5-10192-0P
				Lever	Lever	DP4POS / Lever	Off-On-On-On	10	71R0480	RD-5-8256-0P
				Lever	Lever	4 Position / Lever	Off-Low-Med-Hi	5	71R0485	RD-5-10188-0P
				Lever	Lever	4 Position / Lever	Low-Med 1-Med 2-Hi	4	71R0487	RD-5-10196-0P

SWITCHES

71R0010 RD-5-3748-0P
 SPST Type
 Chrome Toggle
 Function: ON - OFF
 2 Terminals

71R0150 RD-4225-1P
 SPDT Type
 Safety Toggle
 Function: ON - OFF - ON
 3 Terminals

71R0260 RD-5-5400-0P
 DPDT Type
 Black Toggle
 Function: ON - ON - ON
 4 Terminals

71R0050 RD-5-3923-0P
 SPST Type
 Black Toggle
 Function: ON - OFF
 3 Terminals

71R0200 RD-4123-2P
 DPDT Type
 Chrome Toggle
 Function: ON - OFF - ON
 6 Terminals

71R0300 RD-4225-2P
 DPDT Type
 Safety Toggle
 Function: ON - OFF - ON
 5 Terminals

71R0100 RD-4123-1P
 SPDT Type
 Black Toggle
 Function: ON - OFF - ON
 3 Terminals

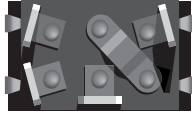
71R0250 RD-5-3599-0P
 DPDT Type
 Black Toggle
 Function: ON - OFF - ON
 5 Terminals

71R0350 RD-5-3988-0P
 3PDT Type
 Chrome Toggle
 Function: ON - OFF - ON
 9 Terminals

71R0400

RD-5-0071-0P

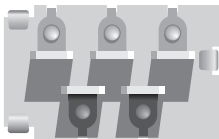
DPDT Type
Chrome Toggle
Function: ON - ON - ON
4 Terminals



71R0450

RD-5-4694-1P

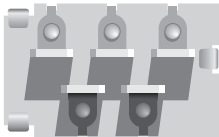
SPST Type
Uses 71R4030 knob
Function: OFF - ON - ON - ON
5 Terminals



71R0453

RD-5-10056-0P

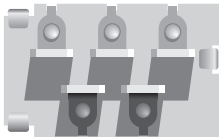
SPST Type with Bent Lever
Uses 71R4030 knob
OFF - ON - ON - ON
5 Terminals



71R0460

RD-5-6804-0P

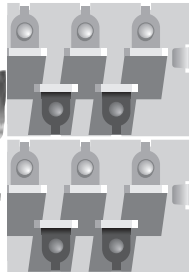
SPST Type
Uses 71R4030 knob
Function: OFF - ON - ON - ON
5 Terminals



71R0470

RD-5-5302-1P

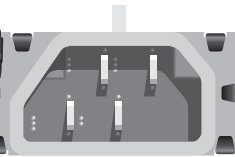
Fits unit model R-4140, R-4145
DP4POS Type
Uses 71R4030 knob
Function: OFF - ON - ON - ON
10 Terminals



71R0475

RD-5-10192-0P

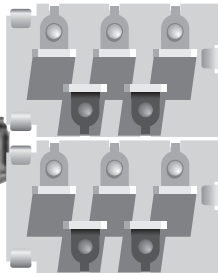
Freightliner
Lever Switch, Single Pole,
4 Position Type
Uses 71R4030 knob
Function: OFF - LOW - MED - HIGH
4 Terminals



71R0480

RD-5-8256-0P

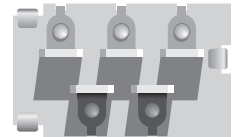
IHC OE #501087C3
DP4POS Type
Function: OFF - ON - ON - ON
10 Terminals



71R0485

RD-5-10188-0P

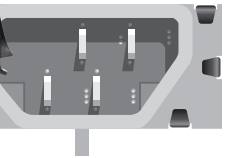
Lever Switch, Single Pole,
4 Position Type
Function: OFF - LOW - MED - HIGH
5 Terminals



71R0487

RD-5-10196-0P

Lever Switch, Single Pole,
4 Position Type
Function: LOW - MED1 - MED2 - HIGH
4 Terminal



PRESSURE SWITCHES

PRESSURE SWITCH SPECIFICATIONS

Listed in ascending order by open pressure

NORMALLY OPEN (Opens at low pressure - closes at high pressure)

Open	Close	Fitting	Connector	Red Dot No. Part No.	Red Dot Factory No.
LOW PRESSURE (± 5 psi)					
11	39	1/4" Female Flare	2 conductor bare wire for 2 Packard connectors	71R6115	RD-5-6639-0P
11	42	1/4" Female Flare	2 conductor bare wire for 2 Packard connectors	71R6060	RD-5-5877-0P
15	35	1/4" Female Flare	2 conductor bullet male & female receptacle	71R6040	RD-5-6395-0P
15	35	1/4" Female Flare	2 conductor male Weatherpak	71R6045	RD-5-6395-1P
15	35	7/16" Female Flare	2 conductor wire to male/female Spade plugs (white)	71R6135	RD-5-7038-0P
23	47	M12 x 1.5 Female	Integral prong connection, Packard 12052643 (beige), black port	71R6170	RD-5-8219-0P
25	45	1/8" Male Thread	2 conductor integral prong connection	71R6257	RD-5-10444-0P
25	45	12mm	2 Pin Cycling Switch	71R6145	RD-5-13227-0P
25	46	1/4" Female Flare	Integral prong connection, for Ford accum cycling switch	71R6095	RD-5-8026-0P
25	50	1/4" Female Flare	2 conductor Metripak	71R6055	RD-5-8982-0P
32	42	1/4" Female Flare	2 conductor bare wire for 2 Packard connectors	71R6030	RD-5-4833-0P
32	42	1/4" Female Flare	2 conductor male Weatherpak	71R6130	RD-5-6834-0P
N/A	N/A	1/4" Female Flare	Cycling Switch, Ford F5VY-19E561A	71R6255	RD-5-10443-0P
HIGH PRESSURE (± 5 psi)					
100	250	1/4" Female Flare	2 conductor female Packard boot connector	71R6090	RD-5-6396-0P
170	215	1/4" Female Flare	2 conductor female Weatherpak, Pckrd #20PS39-38	71R6080	RD-5-6394-0P
174	260	1/4" Female Flare	2 conductor male Weatherpak	71R6220	RD-5-8288-0P
190	250	1/4" Female Flare	2 conductor bare wire for Packard connectors	71R6100	RD-5-4912-0P
190	250	M10 x 1.25 Female	2 conductor Metripak - Fan Override	71R6185	RD-5-10096-0P
190	250	1/4" Female Flare	2 conductor Metripak - Fan Override	71R6140	RD-5-6835-0P
200	270	M10 x 1.25 Female	Integral 2 prong, #P93CAA-3606-01 - Fan Override	71R6160	RD-5-8218-0P
210	300	1/4" Female Flare	2 conductor male Weatherpak, IHC#1514307-C1, 20PS3937	71R6110	RD-5-6430-0P
210	300	M10 x 1.25 Female	2 conductor female Weatherpak (green)	71R6245	RD-5-10097-0P
250	375	1/4" Female Flare	2 conductor wire to male/female Packard plugs	71R6230	RD-5-8289-0P
275	225	M10 x 1.25 female	2 conductor male weatherpak	71R6236	RD-5-14603-0P

NORMALLY CLOSED (Opens at high pressure - closes at low pressure)

Open	Close	Fitting	Connector	Red Dot No. Part No.	Red Dot Factory No.
LOW PRESSURE (± 5 psi)					
30	7	1/4" Female Flare	2 conductor wire to male/female Packard plugs	71R6020	RD-5-6397-0P
35	5	M12 x 1.5 Female	Integral prong connection	71R6181	Stet
46	23	M12 x 1.5 Female	Integral prong connection, for Ford accum cycling switch	71R6093	RD-5-10442-0P
HIGH PRESSURE (± 5 psi)					
205	375	M10x1.25 Female	Integral prong connection	71R6285	RD-5-16213-0P
300	250	M10 x 1.25 Female	2 conductor male Weatherpak	71R6210	RD-5-8287-0P
330-370	180-240	M10 x 1.25 Female	Integral prong connection, Packard #18-038535 (purple)	71R6180	RD-5-8220-0P
340	210	1/4" Female Flare	2 conductor bare wire for 2 Packard connectors	71R6070	RD-5-5873-0P
340	210	1/4" Female Flare	2 conductor male Weatherpak (red)	71R6120	RD-5-6833-0P
375	205	M10 x 1.25 Female	Integral prong connection, IHC#1676787C1	71R6183	RD-5-10167-0P

71R6020 RD-5-6397-0P

Type: Low Side
 Fitting / Connector: 1/4" female flare / two-conductor Packard male/female
 Normally Closed – Closes at 7 PSI – Opens at 30 PSI



71R6030 RD-5-4833-0P

Type: Low Side
 Fitting / Connector: 1/4" female flare
 Normally Open – Closes at 42 PSI – Opens at 32 PSI



71R6040 RD-5-6395-0P

Type: Low Side
 Fitting / Connector: 1/4" female flare / male bullet, female receptacle
 Normally Open – Closes at 35 PSI – Opens at 15 PSI



71R6045 RD-5-6395-1P

Type: Low Side
 Fitting / Connector: 1/4" female flare / two-conductor male Weatherpak
 Normally Open – Closes at 35 PSI – Opens at 15 PSI



71R6055 RD-5-8982-0P

Type: Low Side
 Fitting / Connector: 1/4" female flare / two-conductor Metripak
 Normally Open – closes at 50 PSI, opens at 25 PSI



71R6060 RD-5-5877-0P

Type: Low Side
 Fitting / Connector: 1/4" female flare / two conductor bare wire
 Normally Open – Closes at 42 PSI – Opens at 11 PSI



71R6070 RD-5-5873-0P

Type: High Side
 Fitting / Connector: 1/4" female flare / two conductor bare wire
 Normally Closed – Closes at 210 PSI – Opens at 340 PSI



71R6080 RD-5-6394-0P

Type: High Side
 Fitting / Connector: 1/4" female flare / two-conductor Metripak
 Normally Open – Closes at 215 PSI – Opens at 170 PSI



71R6090 RD-5-6396-0P

Type: High Side
 Fitting / Connector: 1/4" female flare / two-conductor female Packard
 Normally Open – Closes at 250 PSI – Opens at 100 PSI



71R6093 RD-5-10442-0P

Type: High Side – Ford Accumulator Cycling Switch
 Fitting / Connector: M12 x 1.5 female
 Normally Closed – Closes at 23 PSI – Opens at 46 PSI



71R6095 RD-5-8026-0P

Type: Low Side Ford Accumulator Cycling Switch #E35H-19E561-AA
 Fitting / Connector: 1/4" female flare
 Normally Open – Closes at 46 PSI – Opens at 25 PSI



71R6100 RD-5-4912-0P

Type: High Side
 Fitting / Connector: 1/4" female flare / two conductor bare wire
 Normally Open – Closes at 250 PSI – Opens at 190 PSI



PRESSURE SWITCHES

71R6110 RD-5-6430-0P

Type: High Side – OE# Behr BOA 80-926-00-091
 Normally Open – IHC 1514307-C1, 20PS3937
 Fitting / Connector: 1/4" female flare / two-conductor male Weatherpak
 Closes at 300 PSI – Opens at 210 PSI



71R6115 RD-5-6639-0P

Type: Low Side
 Fitting / Connector: 1/4" female flare / two conductor bare wire
 Normally Open – Closes at 39 PSI – Opens at 11 PSI



71R6120 RD-5-6833-0P

Type: High Side – Red
 Fitting / Connector: 1/4" female flare / two-conductor male Weatherpak
 Normally Closed – Closes at 210 PSI – Opens at 340 PSI



71R6130 RD-5-6834-0P

Type: Low Side
 Fitting / Connector: 1/4" female flare / two-conductor male Weatherpak
 Normally Open – Closes at 42 PSI – Opens at 32 PSI



71R6135 RD-5-7038-0P

Type: Low Side – White
 Fitting / Connector: 3/16" female flare / two-conductor female spade
 Normally Open – Closes at 35 PSI – Opens at 15 PSI



71R6140 RD-5-6835-0P

Type: High Side – Fan Override
 Fitting / Connector: 1/4" female flare / two-conductor Metripak
 Normally Open – Closes at 250 PSI – Opens at 190 PSI



71R6145 RD-5-13227-0P

Cycling Switch 12mm OE Part Number: 95BW-19E561-AA
 R134a Low Pressure NO F5VY-19E561A, F6RZ-19E561AA, YH-1462
 Open: 25psi – Close: 45psi Ford:
 2 Pin 1997-2000 All Bronco II, Ranger, Explorer, Expedition
 1997-2010 E150 / 350, 1999 - 2011 F100-550SD
 Sterling
 2007-2010 All (95BW19E561AA)
 All M12 Connection with OE#



71R6155 RD-5-13234-0P

High Pressure OE Part Number: 06-35209-000
 4 Terminal Green Freightliner
 M10 Threads Business Class M2 100 thru 112V, FL50, 60, 70
 2009-2010 All
 2009-2010 Century Class/Columbia



71R6157 RD-5-15305-0P

Caterpillar Pressure Switch OE Part Number: 114-5333
 3/16" - 20 UNF LP: 28 PSI HP: 350 PSI
 Red-



71R6160 RD-5-8218-0P

Type: High Side – Fan Override – Gray Kenworth OE# P93CAA-3606-01
 Fitting / Connector: M10 x 1.25 female / integral two-prong (oval)
 Normally Open – Closes at 270 PSI – Opens at 200 PSI
 Mating Plug: Packard #12052643



71R6170 RD-5-8219-0P

Type: Low Side – Beige housing, Black port Peterbilt OE#18-83824,
 Fitting / Connector: M12 x 1.25 female / integral two-prong 18-04331,
 Normally Open – Closes at 47 PSI – Opens at 23 PSI P93CAA-3604-1
 Mating Plug: Packard #12052643



71R6175 RD-5-15317-0P

Fitting/Connector: M12 Female Kenworth #2214003
 On: 30 PSI Off: 10 PSI 652578BSM



SWITCHES

71R6180 RD-5-8220-0P

Type: High Side – Purple Peterbilt OE#18-03835
 Fitting / Connector: M10 x 1.25 female / integral two-prong (oval)
 Normally Closed – Closes at 180-240 PSI – Opens at 330-370 PSI
 Mating Plug: Packard #12052643



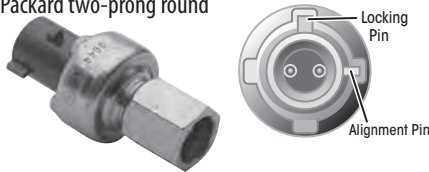
71R6181 RD-5-10166-0P

Type: Low Side – Black
 Fitting / Connector: M12 x 1.5 female / integral two-prong (round)
 Normally Closed – Closes at 5 PSI – Opens at 35 PSI
 Mating Plug: Packard two-prong round



71R6183 RD-5-10167-0P

Type: High Side – Green OE# IHC 1676787C1
 Fitting / Connector: M10 x 1.25 female / integral two-prong (round)
 Normally Closed – Closes at 256 PSI – Opens at 384 PSI
 Mating Plug: Packard two-prong round



71R6185 RD-5-10096-0P

Type: High Side – Fan Override Switch
 Fitting / Connector: M10 x 1.25 female / two-conductor Metripak
 Normally Open – Closes at 250 PSI – Opens at 190 PSI



71R6210 RD-5-8287-0P

Type: High Side – Gray Freightliner OE# A22-45194-001
 Fitting / Connector: M10 x 1.25 female / two-conductor male Weatherpak
 Normally Closed – Closes at 250 PSI – Opens at 300 PSI



71R6220 RD-5-8288-0P

Type: High Side
 Fitting / Connector: 1/4" female flare / two-conductor male Weatherpak
 Normally Open – Closes at 260 PSI – Opens at 174 PSI



71R6230 RD-5-8289-0P

Type: High Side
 Fitting / Connector: 1/4" female flare / two-conductor Packard male/female
 Normally Open – Closes at 375 PSI – Opens at 250 PSI



71R6245 RD-5-10097-0P

Type: High Side – Green
 Fitting / Connector: M10 x 1.25 female / two-conductor male Metripak
 Normally Open – Closes at 300 PSI – Opens at 210 PSI



71R6255 RD-5-10443-0P

Type: Low Side – Green
 Fitting / Connector: 1/4" female flare / integral two-prong (round)
 Normally Open – Cycling Switch – Ford F5VY-19E561A
 Mating Plug: Packard two-prong round



71R6257 RD-5-10444-0P

Type: Low Side – Ford OE# F6RZ-19E561AA
 Fitting / Connector: 1/8" male thread / two-conductor integral prong
 Normally Open – Closes at 45 PSI – Opens at 25 PSI



71R6235 RD-5-14603-0P

Type: High Side –
 Fitting / Connector: M10x 1.25 female/ two conductor male weatherpak
 Normally Closed – Closes at 225 PSI – Opens at 275 PSI



71R6260 RD-5-14604-0P

Type: Transducer OE# 3546241C1
 Fitting / Connector: M10, three-pin
 International 2001-2006 4000, 7000, 8000 Series-



PRESSURE SWITCHES

71R6270

RD-5-15501-0P

Fitting/Connector: M12 Female
On: 22-32 PSI Off: 3-9 PSI

International OE# 3839315C1



71R6275

RD-5-15504-0P

Fitting/Connector: M12 Female
Normally Closed – Closes at 30 PSI – Opens at 13 PSI
KWT2000
379 Pete

OE# 65044685M



71R6280

RD-5-15711-0P

Fitting/Connector: 1/8" -27 NPT/ two conductor bare wire
Normally Closed
Working Pressure:
On 300±15 PSI
Off 400 ±15 PSI

OE# 41-7509



71R6285

RD-5-16213-0P

Fitting/Connector: M10 x 1.25 Female
Normally Closed
Working Pressure:
On 205±15 PSI
Off 375 ±15 PSI

2614390C1



Image Not Available

LOW PRESSURE CUTOFF SWITCH

71R6050 RD-4191-0P

3/8"-24-UNF-2A male threads O-Ring
Normally open - closes at 27 PSIG



HEAT SENSING SWITCH

71R6300 RD-4527-0P

High temperature safety switch opens at 200°F
NOTE: Switch clamps to 3/8" tube.



REFRIGERANT SENSOR

71R6265 RD-5-14605-0P

Fitting / Connector: M12 Thread
OE# 3622764C3



71R6266 RD-5-15688-0P

Freon Sensor Kit
OE# 2606229C92



DUAL FUNCTION SWITCHES

71R6125 RD-5-8946-0P

Type: Low Side
Fitting/Connector: M10 thread/two-conductor Metripak
Normally Closed – Closes at 42 PSI – Opens at 32 PSI High Side Cutout: 315-355 Low Side Cutout: 23-37



71R6150 RD-5-9577-0P

	OPEN	CLOSED
LOW	20-33	23-37
HIGH	315-355	215-275

Thread: M10 x 1.25



71R6267 RD-5-15318-0P

	OPEN	CLOSED
LOW	28	40
HIGH	455	351

10mm Female
Normally Closed



71R7073 RD-5-13233-0P

	OPEN	CLOSED
Binary Switch, NC	330-370 psi	180-240 psi

10MM Female
OE Part Number: K301-370-1
Kenworth 2006-2008 T400 thru T800 Binary Switch
M10 (brown)



71R7075 RD-5-8433-0P

	OPEN	CLOSED
LOW	28	29
HIGH	384	298

Thread: 1/16" – 20 UNF
Orange Fan Switch
Peterbilt



71R7076 RD-5-12840-0P

	OPEN	CLOSED
LOW	20	30
HIGH	384	298

Thread: 1/16" – 20 UNF
Freightliner OE#22-36474



71R7077 RD-5-11169-0P

	OPEN	CLOSED
LOW	28	30
HIGH	455	370

Thread: M10 x 1.25
Freightliner OE#22-43249



71R7078 RD-5-14649-0P

	OPEN	CLOSED
LOW	28	40
HIGH	455	341



PRESSURE SWITCHES

RED DOT BINARY™ PRESSURE SWITCHES

This switch assembly performs two distinct functions. The first function prevents the compressor from operating if system charge is lost or ambient temperature is too low. The second stops compressor if head pressure increases to unsafe levels. It automatically resets when pressure drops back to normal. Install Binary™ on liquid side of A/C system between condenser and expansion valve, for use with R-12 and R-134a.

ELECTRICAL

- 7 AMP Resistive
- 4 AMP Inductive
- 28 VOLT D.C. Maximum
- 2.50 Series Male Tab Terminals

BINARY™

E/C Connection end of BINARY™



Terminals 1 & 2

Controls Clutch

High/Low Pressure Protection

- Terminal 1: To compressor clutch "compressor" black wire
- Terminal 2: To thermostat "AC/Thermostat" black/white wire

	Opens	Closes
Low Pressure Protection	30 - 15 Psig (Falling Pressure)	40 PSIG Maximum (Rising Pressure)
High Pressure Protection	300 - 350 Psig (Rising Pressure)	210 - 250 Psig Below (Opening Pressure)

MOUNTING CONFIGURATION

71R7000

RD-5-4646-0P

3/8"-24 UNF-2A Male Thread With Bulkhead Type Seal Using a 2-012 "O" Ring.



71R7050

RD-5-4640-0P

7/16"-20 UNF-2B Female Thread For Installation On Male "Schrader" Type Valve.



RED DOT BINARY™ HARNESS

71R4511

RD-5-12151-2P

RED DOT BINARY™ boot (provides a molded 2 wire connection to Binary switch; lead wires are 28" long.) helps eliminate terminal corrosion and breakage.



RED DOT TRINARY™ PRESSURE SWITCHES - GENERATION II

This switch assembly performs three distinct functions. The first function prevents the compressor from operating if system charge is lost or ambient temperature is too low. The second stops compressor if head pressure increases to unsafe levels. It automatically resets when pressure drops back to normal. The third function is a shutter/fan override switch that keeps head pressure within normal range by opening shutters or operating engine fan to increase air flow across condenser when head pressure rises above set valve.

Install Trinary on liquid side of a/c system between condenser and expansion valve. For use with R-12 and R-134a systems.

ELECTRICAL

- 7 AMP Resistive
- 4 AMP Inductive
- 28 VOLT D.C. Maximum
- 2.50 Series Male Tab Terminals

TRINARY™

E/C Connection end of TRINARY™



Terminals 1 & 2
Controls Clutch High/Low Pressure Protection

- Terminal 1: To compressor clutch "compressor" black wire
- Terminal 2: To thermostat "AC/Thermostat" black/white wire

Terminals 3 & 4
Controls Fan Clutch or Shutters

- Terminal 3: To solenoid valve "override" yellow wire
- Terminal 4: To ignition "DC power" orange wire

	OPENS	CLOSES
Low Pressure Protection	22.5 ± 7.5 PSIG (Descending Pressure)	40 Psig Maximum (Rising Pressure)
High Pressure Protection	325 ± 25 PSIG	230 ± 20 PSIG
Shutter Fan/Override	35 - 60 PSIG Below Closing Pressure	200 - 230 PSIG (Rising Pressure)

MOUNTING CONFIGURATION

71R7500

RD-5-4585-0P

3/8" - 24 UNF-2A
Male thread with bulkhead seal, 2-012 O-Ring
Shutter/fan switch is normally open



71R7600

RD-5-4620-0P

3/8" - 24 UNF-2A
Male thread with bulkhead seal, 2-012 O-Ring
Shutter/fan switch is normally closed



71R7550

RD-5-4583-0P

7/16" - 20 UNF-2B
Female thread for male Schrader
Shutter/fan switch is normally open



71R7650

RD-5-4625-0P

7/16" - 20 UNF-2B
Female thread for male Schrader
Shutter/fan switch is normally closed



RED DOT TRINARY™ HARNESS

71R4501

RD-5-12150-0P

TRINARY™ boot (provides a molded 4 wire connection to Trinary switch; lead wires are 28" long.) helps eliminate terminal corrosion and breakage.



SWITCHES

APAds™ SWITCHES

CONTROL MODULE REPLACEMENTS

Sorted by OEM Number

OEM No.	Part No.	Factory Part No.	Connector	Function	Set point
20357741	71R6571	RD-5-11381-0P	10 pin	AC Ctrl APAds	CM-814 30 Sec. Volvo
20579810	71R6571	RD-5-11381-0P	10 pin	AC Ctrl APAds	CM-814 30 sec Volvo
20579815	71R6453	RD-5-11380-0P	10 pin	AC Ctrl APAds	CM-814 Std Volvo
228RD31	71R6565	RD-5-10352-0P	Deutsch (2)	AC Ctrl APAds	CM-813 ECM
228RD32	71R6563	RD-5-10772-0P	Deutsch (2)	AC Ctrl APAds	CM-813 ECM Mack
228RD33	71R6561	RD-5-10771-0P	Deutsch (2)	AC Ctrl APAds	CM-812 Visc-DD-AM
3099497	71R6576	RD-5-10860-0P	Deutsch (2)	AC Ctrl APAds	CM-812 Visc-DD-AM
3939313	71R6573	RD-5-10859-0P	Deutsch (2)	AC Ctrl APAds	CM-813 ECM Volvo
3939314	71R6578	RD-5-10861-0P	Deutsch (2)	AC Ctrl APAds	CM-813 Std Volvo
3939315	71R6566	RD-5-10855-0P	Deutsch (2)	AC Ctrl APAds	CM-813 30 Sec Volvo
8042103	71R6560	RD-5-10449-0P	Deutsch (2)	AC Ctrl APAds	CM-813 Std 3 min. Fan
8042105	71R6565	RD-5-10352-0P	Deutsch (2)	AC Ctrl APAds	CM-813 ECM
8042106	71R6578	RD-5-10861-0P	Deutsch (2)	AC Ctrl APAds	CM-813 Std Volvo
8042107	71R6573	RD-5-10859-0P	Deutsch (2)	AC Ctrl APAds	CM-813 ECM Volvo
8042108	71R6566	RD-5-10855-0P	Deutsch (2)	AC Ctrl APAds	CM-813 30 Sec. Volvo
8042114	71R6576	RD-5-10860-0P	Deutsch (2)	AC Ctrl APAds	CM-812 Visc-DD-AM
8042121	71R6563	RD-5-10772-0P	Deutsch (2)	AC Ctrl APAds	CM-813 ECM Mack
8042124	71R6561	RD-5-10771-0P	Deutsch (2)	AC Ctrl APAds	CM-812 Visc-DD-AM
8042133	71R6571	RD-5-11381-0P	10 pin	AC Ctrl APAds	CM-814 30 Sec. Volvo
8042156	71R6453	RD-5-11380-0P	10 pin	AC Ctrl APAds	CM-814 Std Volvo
8042157	71R6571	RD-5-11381-0P	10 pin	AC Ctrl APAds	CM-814 30 Sec. Volvo

71R6453

RD-5-11380-0P

OEM No. 20579815, 8042156



71R6563

RD-5-10772-0P

OEM No. 228RD32, 8042121



71R6560

RD-5-10449-0P

OEM No. 8042103

Cummins, Caterpillar engine applications



71R6565

RD-5-10352-0P

OEM No. 228RD31, 8042105

Detroit Series 60 engines



71R6561

RD-5-10771-0P

OEM No. 228RD33, 8042124



71R6566

RD-5-10855-0P

OEM No. 3939315, 8042108



CONTROL MODULE REPLACEMENTS

71R6571 RD-5-11381-0P

OEM No. 20357741, 20579810, 8042133, 8042157



71R6576 RD-5-10860-0P

OEM No. 3099497, 8042114



71R6573 RD-5-10859-0P

OEM No. 3939313, 8042107



71R6578 RD-5-10861-0P

OEM No. 3939314, 8042106



APAds™ SWITCHES

CONVERSION KIT

Sorted by OEM Number

OEM No.	Part No.	Factory Part No.	Connector / Function
3919193	71R6580	RD-5-10858-0P	Kit Conversion ISC-3 to TE-743
3919194	71R6600	RD-5-11000-0P	Kit Conversion TE-803 to TE-742
8041114	71R6600	RD-5-11000-0P	Kit Conversion TE-803 to TE-742
8041115P	71R6580	RD-5-10858-0P	Kit Conversion ISC-3 to TE-743

71R6580

RD-5-10858-0P

OEM No. 3919193, 8041115P



71R6600

RD-5-11000-0P

OEM No. 3919194, 8041114



SWITCHES

PRESSURE SWITCH REPLACEMENTS

Sorted by OEM Number

OEM No.	Part No.	Factory Part No.	Connector	Thread Type	Function	Set point	Differential	Resistive Amps	Inductive Amps
1622648C91	71R6470	RD-5-11026-0P	Weatherpack	¼" Female Schrader	NC	275 psi +/- 10 psi	40 psi +/- 10 psi	7	4
1699309C1	71R6422	RD-5-10779-0P	Metripack 280	M10 Female Schrader	NC	300 psi +/- 10 psi	40 psi +/- 10 psi	7	4
1MR2451	71R6416	RD-5-10769-0P	Metripack 280	¼" Female Schrader	NC	325 /310 psi +/- 10 psi	75 psi +/- 10 psi	7	4
1MR2456	71R6402	RD-5-10763-0P	Metripack	¼" Female Schrader	NC	280-295 psi	70 psi min.	7	4
1MR3475M	71R6424	RD-5-10783-0P	Metripack	M12 Female Schrader	NC	034 psi +/- 4 psi	26 psi +/- 3 psi	7	4
1MR3561	71R6408	RD-5-10766-0P	Metripack	M12 Female Schrader	NO	034 psi +/- 4 psi	26 psi +/- 3 psi	7	4
1MR3562	71R6414	RD-5-10768-0P	Metripack 280	M10 Female Schrader	NC	335 psi +/- 20 psi	100 psi +/- Psi	7	4
1MR3571	71R6400	RD-5-9990-0P	Closed, Metripack 280	300 psi, M10 Female Schrader	NC	300 psi +/- 10 psi	40 psi +/- 10 psi	7	4
1MR3572	71R6405	RD-5-9991-0P	Closed, Metripack	34 psi, M12 Female Schrader	NC	034 psi +/- 4 psi	24 psi +/- 3 psi	7	4
20437760	71R6424	RD-5-10783-0P	Metripack	M12 Female Schrader	NC	034 psi +/- 4 psi	26 psi +/- 3 psi	7	4
3934379	71R6450	RD-5-10789-0P	Deutsch	M10 Female Schrader	NC	275 psi +/- 10 psi	040 psi +/- 10 psi	7	4
3939317	71R6422	RD-5-10779-0P	Metripack 280	M10 Female Schrader	NC	300 psi +/- 10 psi	40 psi +/- 10 psi	7	4
3948741	71R6438	RD-5-10852-0P	Weatherpack	¼" NPTF external	NC	014 psi max	006 psi +/- 1.5psi & amp 7	7	4
3948742	71R6442	RD-5-10853-0P	Weatherpack	¼" NPTF external	NC	018 psi max	008 psi +/- 2 psi	7	4
3948743	71R6445	RD-5-10351-0P	Weatherpack	¼" Female Flare	NC	310-330 psi	100/090 psi +/- 10 psi	7	4
3948747	71R6426	RD-5-10784-0P	Metripack 280	M10 Female Schrader	NC	325 psi +/- 10 psi	050 psi +/- 10 psi	7	4
3948749	71R6434	RD-5-10787-0P	Metripack 280	M10 Female Schrader	NO	040 psi +/- 4 psi	008 psi +/- 4 psi	7	4
3949288	71R6422	RD-5-10779-0P	Metripack 280	M10 Female Schrader	NC	300 psi +/- 10 psi	40 psi +/- 10 psi	7	4
3949500	71R6450	RD-5-10789-0P	Deutsch	M10 Female Schrader	NC	275 psi +/- 10 psi	040 psi +/- 10 psi	7	4
3949501	71R6444	RD-5-10854-0P	Weatherpack	¼" Female Schrader	NC	275 psi +/- 10 psi	040 psi +/- 10 psi	7	4
3966805	71R6418	RD-5-10778-0P	Metripack	M12 Female Scradler	NC	034 psi +/- 4 psi	026 psi +/- 3 psi	7	4
8025565	71R6420	RD-5-10470-0P	Metripack 280	M12 Female Scradler	NO	034 psi +/- 4 psi	024 psi +/- 3 psi	7	4
8040082	71R6415	RD-5-10009-0P	Deutsch	¼" Female Flare	Closed	275 psi +/- 10 psi	40 psi +/- 10 psi	7	4
8040088	71R6410	RD-5-10008-0P	Deutsch	M10 Female Schrader	Closed	300 psi +/- 10 psi	35 psi +/- 10 psi	7	4
8040114	71R6438	RD-5-10852-0P	Weatherpack	¼" NPTF external	NC	014 psi max	007 psi +/- 1.5 psi 7	7	4
8040132	71R6450	RD-5-10789-0P	Deutsch	M10 Female Schrader	NC	275 psi +/- 10 psi	040 psi +/- 10 psi	7	4
8040135	71R6400	RD-5-9990-0P	Metripack 280	M10 Female Schrader	Closed	300 psi +/- 10 psi	040 psi +/- 10 psi	7	4
8040136	71R6405	RD-5-9991-0P	Metripack	M12 Female Schrader	NC	034 psi +/- 4 psi	24 psi +/- 4 psi	7	4
8040147	71R6422	RD-5-10779-0P	Metripack 280	M10 Female Schrader	NC	300 psi +/- 10 psi	40 psi +/- 10 psi	7	4
8040161	71R6418	RD-5-10778-0P	Metripack 280	M12 Female Schrader	NC	034 psi +/- 4 psi	26 psi +/- 3 psi	7	4
8040189	71R6424	RD-5-10783-0P	Metripack 280	M12 Female Schrader	NC	034 psi +/- 4 psi	26 psi +/- 3 psi	7	4
8040202	71R6420	RD-5-10470-0P	Metripack 280	M12 Female Schrader	NO	034 psi +/- 4 psi	24 psi +/- 3 psi	7	4
8040204	71R6475	RD-5-10901-0P	Weatherpack	¼" Female Schrader	NO	034 psi +/- 4 psi	26 psi +/- 3 psi	7	4
8040207	71R6408	RD-5-10766-0P	Metripack	M12 Female Schrader	NO	034 psi +/- 4 psi	26 psi +/- 3 psi	7	4
8040217	71R6434	RD-5-10787-0P	Metripack 280	M10 Female Schrader	NO	040 psi +/- 4 psi	008 psi +/- 4 psi	7	4
8040222P	71R6438	RD-5-10852-0P	Weatherpack	¼" NPTF external	NC	014 psi max	007 psi +/- 1.5 psi 7	7	4
8040223	71R6442	RD-5-10853-0P	Weatherpack	¼" NPTF external	NC	018 psi max	008 psi +/- 4 psi	7	4
8040225	71R6445	RD-5-10351-0P	Weatherpack	¼" Female Flare	NC	310-330 psi	100/090 psi +/- 10 psi	7	4
8040226	71R6416	RD-5-10769-0P	Metripack 280	¼" Female Schrader	NC	325/310 psi +/- 10 psi	75 psi +/- 10 psi	7	4
8040229	71R6414	RD-5-10768-0P	Metripack 280	M10 Female Schrader	NC	335 psi +/- 10 psi	20 psi +/- 10 psi	7	4
8040230	71R6402	RD-5-10763-0P	Metripack	¼" Female Schrader	NC	280-295 psi	70 psi min.	7	4
8040232	71R6470	RD-5-11026-0P	Weatherpack	¼" Female Schader	NC	275 psi +/- 10 psi	40 psi +/- 10 psi	7	4
8040233	71R6471	RD-5-10857-0P							
8040236	71R6402	RD-5-10763-0P	Metripack	¼" Female Schrader	NC	280-295 psi	70 psi min.	7	4
8040240	71R6426	RD-5-10784-0P	Metripack 280	M10 Female Schrader	NC	325 psi +/- 10 psi	050 psi +/- 10 psi	7	4
8040242	71R6450	RD-5-10789-0P	Deutsch	M10 Female Schrader	NC	275 psi +/- 10 psi	040 psi +/- 10 psi	7	4
8040243	71R6444	RD-5-10854-0P	Weatherpack	¼" Female Schader	NC	275 psi +/- 10 psi	235 psi +/- 10 psi	7	4
8040279	71R6422	RD-5-10779-0P	Metripack 280	M10 Female Schrader	NC	300 psi +/- 10 psi	40 psi +/- 10 psi	7	4
8040281	71R6408	RD-5-10766-0P	Metripack	M12 Female Schrader	NO	034 psi +/- 4 psi	26 psi +/- 3 psi	7	4
8040304	71R6424	RD-5-10783-0P	Metripack 280	M12 Females Schrader	NC	034 psi +/- 10 psi	005 psi max	7	4
8040316	71R6416	RD-5-10769-0P	Metripack 280	¼" Female Schrader	NC	335 psi +/- 15 psi	245 psi +/- 15 psi	7	4

SWITCHES

APAds™ SWITCHES

PRESSURE SWITCH REPLACEMENTS

Sorted by OEM Number

OEM No.	Part No.	Factory Part No.	Connector	Thread Type	Function	Set point	Differential	Resistive Amps	Inductive Amps
83948743	71R6444	RD-5-10854-0P	Weatherpack	¼" Female Schrader	NC	275 psi +/- 10 psi	235 psi +/- 10 psi	7	4
8040177P	71R6582	RD-5-14636-0P	Metripack 280	M10 Female Schrader	NC	300psi +/- 10psi		7	4
8040178P	71R6584	RD-5-14637-0P	Metripack	M12X1.5 Female Schrader	NC	34psi +/- 4psi		7	4

71R6400 RD-5-9990-0P
OEM No. 1MR3571, 8040135



71R6402 RD-5-10763-0P
OEM No. 1MR2456, 8040230, 8040236, 8040243



71R6405 RD-5-9991-0P
OEM No. 1MR3572, 3966805, 8040136



71R6408 RD-5-10766-0P
OEM No. 1MR3561, 8040207, 8040281



71R6410 RD-5-10008-0P
OEM No. 8040088



71R6414 RD-5-10768-0P
OEM No. 1MR3562, 8040229



71R6415 RD-5-10009-0P
OEM No. 8040082



71R6416 RD-5-10769-0P
OEM No. 1MR2451, 8040226, 8040316



71R6418 RD-5-10778-0P
OEM No. 3966805, 8040161



71R6420 RD-5-10470-0P
Volvo OEM No. 8025565, 8040202



71R6422 RD-5-10779-0P
OEM No. 3939317, 8040147, 8040279 Normally Closed, Opens 300psi
IHC #1699309C1 3949288 Closes 260 psi



71R6424 RD-5-10783-0P
OEM No. 1MR3475M, 20437760, 8040189, 8040304



SWITCHES

PRESSURE SWITCH REPLACEMENTS

71R6426 RD-5-10784-0P

OEM No. 3948747, 8040240



71R6434 RD-5-10787-0P

OEM No. 3948749, 8040217



71R6438 RD-5-10852-0P

OEM No. 3948741, 8040114, 8040222P



71R6442 RD-5-10853-0P

OEM No. 3948742, 8040223



71R6444 RD-5-10854-0P

OEM No. 3949501, 8040243, 83948743



71R6445 RD-5-10351-0P

OEM No. 3948743, 8040225



71R6450 RD-5-10789-0P

OEM No. 3949500, 8040242



71R6470 RD-5-11026-0P

OEM No. 1622648C91, 8040232



71R6475 RD-5-10901-0P

OEM No. 8040204



71R6582 RD-5-14636-0P

OEM No. 8040177P



71R6584 RD-5-14637-0P

OEM No. 8040178P



SWITCHES

TEMPERATURE CONTROL REPLACEMENTS

Sorted by OEM Number

OEM No.	Part No.	Factory Part No.	Connector	Thread Type	Function	Set point	Differential	Resistive	Inductive
3134059 *	71R6460	RD-5-10851-OP	Single Post	½" NPTF	Open	220° F	10° F	1 amp	.5 amps
3918038	71R6500	RD-5-11021-OP	2 Terminal	½" NPTF	Open	205° F	5-9° F	7 amp	4 amps
3918479 *	71R6463	RD-5-11001-OP	Single Post	½" NPTF	Open	215° F	10° F	1 amp	.5 amps
3946910	71R6480	RD-5-10592-OP	3 Terminal	½" NPTF	Open/Closed	185° F	5-9° F	7 amp	4 amps
3946911	71R6458	RD-5-10850-OP	3 Terminal	½" NPTF	Open/Closed	190° F	5-9° F	7 amp	4 amps
3946914	71R6448	RD-5-10780-OP	3 Terminal	½" NPTF	Open/Closed	205° F	5-9° F	7 amp	4 amps
8037030	71R6456	RD-5-10790-OP	2 Terminal	½" NPTF	Open	200° F	5-9° F	7 amp	4 amps
8037034	71R6500	RD-5-11021-OP	2 Terminal	½" NPTF	Open	205° F	5-9° F	7 amp	4 amps
8037045	71R6480	RD-5-10592-OP	3 Terminal	½" NPTF	Open/Closed	185° F	5-9° F	7 amp	4 amps
8037048	71R6458	RD-5-10850-OP	3 Terminal	½" NPTF	Open/Closed	190° F	5-9° F	7 amp	4 amps
8037055	71R6448	RD-5-10780-OP	3 Terminal	½" NPTF	Open/Closed	205° F	5-9° F	7 amp	4 amps
8039019 *	71R6463	RD-5-11001-OP	Single Post	½" NPTF	Open	215° F	10° F	1 amp	.5 amps
8039023 *	71R6460	RD-5-10851-OP	Single Post	½" NPTF	Open	220° F	10° F	1 amp	.5 amps
8167882	71R6456	RD-5-10790-OP	2 Terminal	½" NPTF	Open	200° F	5-9° F	7 amp	4 amps

* Includes Case Ground (single post) Temperature Switches

71R6448 RD-5-10780-OP

OEM No. 3946914, 8037055



71R6456 RD-5-10790-OP

OEM No. 8037030, 8167882



71R6458 RD-5-10850-OP

OEM No. 3946911, 8037048



71R6460 RD-5-10851-OP

OEM No. 3134059, 8039023 Case Ground



71R6463 RD-5-11001-OP

OEM No. 3918479, 8039019 Case Ground



71R6480 RD-5-10592-OP

OEM No. 3946910, 8037045



71R6500 RD-5-11021-OP

OEM No. 3918038, 8037034



SWITCHES

Terminology

Function

Open: Normally Open; switch contacts are open (not conducting) at room temperature.

Closed: Normally Closed; switch contacts are closed (conducting) at room temperature.

Open/Closed: Can be connected either Normally Open or Normally Closed (part has three terminals or wires).

Set Point

Rising temperature at which switch actuates (in degrees Fahrenheit).

Set Point Tolerance

± 2.5° F for set points to 220°.

± 5° F for set points 225° and above.

Differential

Number of degrees *below* the set point that the switch resets to normal state in response to falling temperature.

5° to 10° F below set point up to 220° F.

15° F maximum for 225° F and above.

TEMPERATURE FAN TIMER

Includes Electronic Switches

Sorted by OEM Number

OEM No.	Part No.	Factory Part No.	Connector	Thread Type	Function	Set point	Differential	Resistive	Inductive
3940177	71R6451	RD-5-10781-0P	Deutsch	½" NPTF	NC	195° +/- 1.5 F	7 +/- 1.5 F	2 amps	
3942759	71R6430	RD-5-10471-0P	Metripack	½" NPTF	NC	205° +/- 1.5 F	7 +/- 1.5 F	2 amps	
3942809	71R6452	RD-5-10782-0P	Deutsch	½" NPTF	NC	205° +/- 1.5 F	7 +/- 1.5 F	2 amps	
3942917	71R6454	RD-5-10788-0P	Deutsch	½" NPTF	NC	205° +/- 1.5 F	7 +/- 1.5 F	2 amps	
8036165	71R6451	RD-5-10781-0P	Deutsch	½" NPTF	NC	195° +/- 1.5 F	7 +/- 1.5 F	2 amps	
8036167	71R6430	RD-5-10471-0P	Metripack	½" NPTF	NC	205° +/- 1.5 F	7 +/- 1.5 F	2 amps	
8036168	71R6454	RD-5-10788-0P	Deutsch	½" NPTF	NC	205° +/- 1.5 F	7 +/- 1.5 F	2 amps	
8036169	71R6452	RD-5-10782-0P	Deutsch	½" NPTF	NC	205° +/- 1.5 F	7 +/- 1.5 F	2 amps	

71R6430 RD-5-10471-0P
OEM No. 3942759, 8036167



71R6452 RD-5-10782-0P
OEM No. 3942809, 8036169



71R6451 RD-5-10781-0P
OEM No. 3940177, 8036165



71R6454 RD-5-10788-0P
OEM No. 3942917, 8036168



SWITCHES

THERMOSTATS

THERMOSTAT SPECIFICATIONS

Listed in ascending order by Capillary Length

Capillary Length	Temperature Range [°F]	Clutch Cycle Range	Mount Hole Spacing	Description/Notes	Red Dot Part No.	Factory No.
ROTARY (VARIABLE)						
18"	28° - 62°	6°	—	Variable	71R2100	RD-5-4909-0P
27"	34° - 52°	5°	—	Variable	71R2310	RD-4172-0P
36"	34° - 52°	5°	—	Variable	71R2250	RD-4125-36P
48"	34° - 52°	5°	—	Variable	71R2300	RD-4125-48P
66"	34° - 52°	5°	—	Variable	71R2400	RD-4125-66P
73"	35° - 44°	5°	—	Variable	71R2305	RD-5-11029-0P

CABLE CONTROLLED						
18"	26° - 66°	8°	2 3/16	Variable	71R2600	RD-5-4911-0P
30"	34° - 54°	5°	2 15/16	Variable	71R2700	RD-4226-0P
43"	30° - 62°	10°	2 15/16	Variable	71R2800	RD-5-4917-0P

PRESET (FIXED) SETTING						
12"	31° - 40°	8°	—	Flange base with optional side mount	71R3160	RD-5-8938-0P
16"	28° - 35°	7°	—	Flange base with optional side mount	71R3150	RD-5-6429-0P
18"	28° - 35°	7°	—	Flange base mount	71R3155	RD-5-10736-0P
21"	31° - 40°	-	—	Flange base with optional side mount	71R3220	RD-5-10335-0P
24"	31° - 39°	8°	2 1/4	Flange base with optional side mount	71R3200	RD-5-4531-24P
24"	34° - 38°	5°	2 1/8	Flange base mount	71R3100	RD-4427-24P
25"	34° - 44°	8°	2 3/16	Flange base mount	71R3300	RD-5-8257-0P
29"	34° - 39°	5°	2 1/8	Flange base mount	71R3350	RD-6-5916-0P
32"	31° - 39°	-	2 1/8	Flange base with optional side mount	71R2200	RD-5-11031-0P
33"	40° - 85°	5°	2 3/16	Flange base with optional side mount	71R3125	RD-5-8377-0P

ROTARY (VARIABLE) THERMOSTATS

71R2100



RD-5-4909-0P
 Capillary Length: 18"
 Type: Variable
 Temp. Range: 28° - 62°F
 Clutch Cycle Range: 6°F

71R2300



RD-4125-48P
 Capillary Length: 48"
 Type: Variable
 Temp. Range: 34° - 52°F
 Clutch Cycle Range: 5°F

71R2250



RD-4125-36P
 Capillary Length: 36"
 Type: Variable
 Temp. Range: 34° - 52°F
 Clutch Cycle Range: 5°F

71R2305



RD-5-11029-0P
 Capillary Length: 73"
 Type: Variable
 Temp. Range: 35° - 44°F

ROTARY (VARIABLE) THERMOSTATS

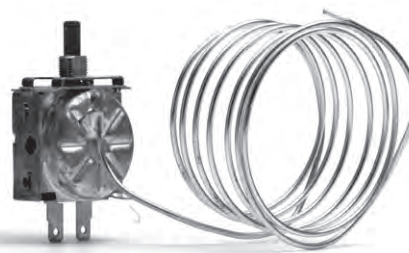
71R2310



RD-4172-0P

Capillary Length: 27"
Type: Variable
Temp. Range: 34°- 52°F
Clutch Cycle Range: 5°F

71R2400

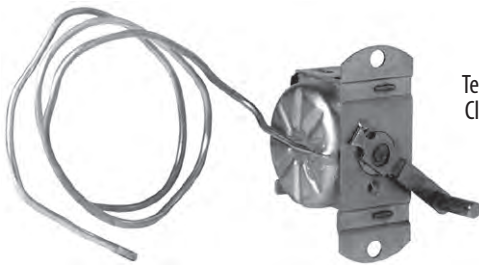


RD-4125-66P

Capillary Length: 66"
Type: Variable
Temp. Range: 34°- 52°F
Clutch Cycle Range: 5°F

CABLE CONTROLLED THERMOSTATS

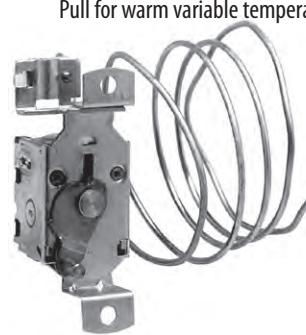
71R2600



RD-5-4911-0P

Hole spacing: 2 3/16"
Capillary Length: 18"
Type: Variable
Temp. Range: 26°- 66°F
Clutch Cycle Range: 8°F

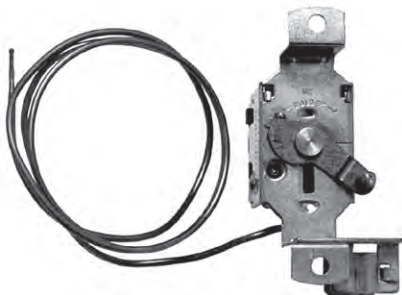
71R2800



RD-5-4917-0P

Pull for warm variable temperature Mounting hole spacing 2 15/16"
Capillary Length: 43"
Type: Variable
Temp. Range: 30°- 62°F
Clutch Cycle Range: 10°F
IHC #581691C1

71R2700



RD-4226-0P

Pull for cold variable temp. Mounting hole spacing 2 15/16"
Capillary Length: 30"
Type: Variable
Temp. Range: 34°- 54°F
Clutch Cycle Range: 5°F

THERMOSTATS

PRESET (FIXED) SETTING THERMOSTATS

71R2200

RD-5-11031-0P

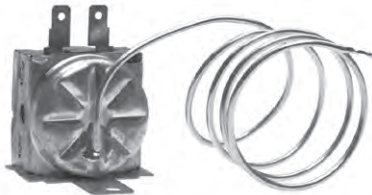
Mounting hole spacing: 2 1/4"
Capillary Length: 32"
Type: Fixed
Temp. Range: 31°- 39°F



71R3100

RD-4427-24P

Mounting hole spacing: 2 1/4"
Capillary Length: 24"
Type: Fixed
Temp. Range: 34°- 38°F
Clutch Cycle Range: 5°F



71R3125

RD-5-8377-0P

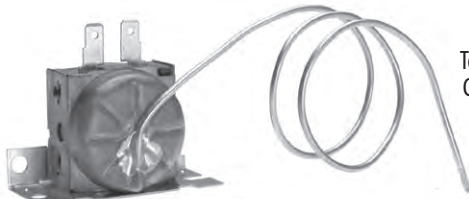
Mounting hole spacing: 2 3/8"
Capillary Length: 33"
Type: Fixed
Temp. Range: 40° - 85°F
Clutch Cycle Range: 5°F



71R3150

RD-5-6429-0P

Capillary Length: 16"
Type: Fixed
Temp. Range: 28° - 35°F
Clutch Cycle Range: 7°F



71R3155

RD-5-10736-0P

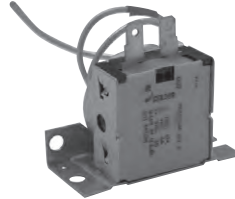
Capillary Length: 18"
Type: Fixed
Temp. Range: 28° - 35°F
Clutch Cycle Range: 7°F



71R3160

RD-5-8938-0P

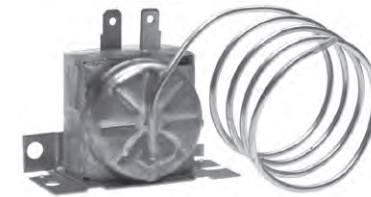
Capillary Length: 12"
Type: Fixed
Temp. Range: 31°- 40°F
Clutch Cycle Range: 8°F



71R3200

RD-5-4531-24P

Mounting hole spacing: 2 1/4"
Capillary Length: 24"
Type: Fixed (side mount)
Temp. Range: 31° - 39°F
Clutch Cycle Range: 8°F



71R3220

RD-5-10335-0P

Mounting hole spacing: 2 1/4"
Capillary Length: 21"
Type: Fixed (side mount)
Temp. Range: 31° - 40°F



71R3300

RD-5-8257-0P

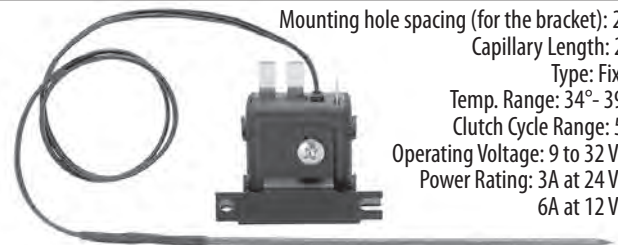
Mounting hole spacing: 2 3/16"
Capillary Length: 25"
Type: Fixed
Temp. Range: 34° - 44°F
Clutch Cycle Range: 8°F



71R3350

RD-6-5916-0P

Mounting hole spacing (for the bracket): 2 1/8"
Capillary Length: 29"
Type: Fixed
Temp. Range: 34° - 39°F
Clutch Cycle Range: 5°F
Operating Voltage: 9 to 32 VDC
Power Rating: 3A at 24 VDC
6A at 12 VDC



THERMOSTATS

LS = Limited to stock on hand

E-Z CLIP FITTINGS & TOOLS

79R8920 RD-5-10717-0P

#6-#12 Connecting Tool



79R8926 RD-5-13543-0P

#16 Connecting Tool



79R8930 RD-5-10739-0P

Hose Cutter & Blade, maximum hose O.D.: 2"



79R8931 RD-5-10740-0P

Replacement Blade for 79R8930 above

TOOL KIT

79R8915 RD-5-10718-0P

Includes:

- 20 each: Clips: #6, #8, #10, #12
- 10 each: Cages: #6, #8, #10, #12
- Connecting Tool 79R8920
- Hose Cutter 79R8930
- Replacement blade for Hose Cutter



STEEL FIELDCASE

79R8916 RD-5-11372-0P

Includes:

- 100 each: Clips: #6, #8, #10, #12
- 50 each: Cages: #6, #8, #10, #12
- 50 each: O-Rings: #6, #8, #10, #12
- 100 each: O-Ring Nipple: #6, #8, #10, #12
- Connecting Tool 79R8920
- Hose Cutter 79R8930
- 2 Replacement blades for Hose Cutter



EZ CLIP NIPPLE O-RINGS

70R8836

RD-5-11461-0M

#6



70R8838

RD-5-11462-0M

#8



70R8831

RD-5-11463-0M

#10



70R8832

RD-5-11464-0M

#12



70R8840

RD-5-13242-0M

#16



O-Rings ship 25 per package

CAGES & CLIPS

Packages of 10



Cages		Clips	
Size	Factory No.	Factory No.	Factory No.
#6	70R8806 RD-5-10709-0M	70R8826	RD-5-10713-0M
#8	70R8808 RD-5-10710-0M	70R8828	RD-5-10714-0M
#10	70R8801 RD-5-10711-0M	70R8821	RD-5-10715-0M
#12	70R8802 RD-5-10712-0M	70R8822	RD-5-10716-0M
#16	79R8920 RD-5-13543-0P		

CAPS

Threaded protective caps — Packages of 20

	Factory No.	Description
75R5555	RD-5-11325-0M	E-Z Clip Low Side Cap
75R5556	RD-5-11223-0M	E-Z Clip High Side Cap

CRIMP TOOLS

79R1560

RD-5-11225-0P

Bubble Crimp Kit for use with Air Impact Wrench



79R1565

RD-5-11232-0P

Bubble Crimp Kit with Hydraulic Hand Pump and 6' Hose
Drop-Ship Only



CRIMP TOOL REPLACEMENT PARTS

Description	79R1560 & 79R1565		79R1510 & 79R1515	
Actuator Screw			79R1502	RD-5-7788-0P
Strain Rod Set (2)			79R1503	RD-5-7787-0P
Latch Plate			79R1504	RD-5-7786-0P
Actuator Bar			79R1505	RD-5-8481-0P
Standard Crimp Die #12	79R1532	RD-5-11231-0P		
Standard Crimp Die #6, Reduced Bead Crimp Die #8	79R1536	RD-5-11227-0P		
Reduced Bead Crimp Die #10	79R1541	RD-5-11229-0P	79R9521	RD-5-8897-0P
Reduced Bead Crimp Die #6	79R1546	RD-5-11226-0P	79R9516	RD-5-8895-0P
Standard Crimp Die #8	79R1538	RD-5-11228-0P		

79R1520

RD-5-7731-0P

Hydraulic Hand Pump and 6' Hose with Male Quick Disconnect



79R1525

RD-5-7732-0P

HYDRAULIC CYLINDER
Retro Fit Hydraulic Cylinder for 79R1510, Bubble Crimp Kit with Female Quick Disconnect



RECOVERY, RECYCLING, AND RECHARGING SYSTEMS

R-134A

79R0120 LS

RD-5-11580-0P



Drop-Ship Only

Air Conditioning Recovery/Recycling Unit (R-134a, 110V, 60 Hz)

- Simplest, easiest to use air conditioning service units on the market today (helps technicians meet today's tough service standards)
- Operation is quick and efficient (lowers air conditioning service costs)
- Easy-to-operate (just connect quick connect couplings to vehicle and push Recovery Recycle switch—unit completes recovery and recycle process)
- Built with quality components, such as 1/2 hp, oil-less compressor, new advanced shock resistant scale, dual protected solenoids, and more
- Vacuum timer allows technician to set time and two-stage vacuum pump automatically pulls a deep vacuum
- Easy to set LCD display (simply scroll to correct charge and push charge switch—system quickly receives refrigerant)
- Large 75 mm (3.5 in) gauges allows technician to easily monitor air conditioning system
- One-touch air purge eliminates non-condensables in system
- One-touch oil drain, after every service, tells how much oil is needed to keep compressor fully lubricated
- Automatic tank full and high pressure shut-offs
- Shock resistant scales for accurate charging
- Single-pass filtering system
- Built-in manifold gauge set
- Moisture indicator
- Tank refill adapter
- Modular design for easy repair
- Large pneumatic tires
- Premium hoses approved to SAE2197 standard
- Fully factory tested
- Built-in accessory and tool storage box

SPECIFICATIONS

Recovery tank	One 50-pound
Dimensions (h x w x d)	53" x 22" x 27" (63 x 68 x 134 cm)
Weight	120 lbs(54 kg)
Vacuum Pump	Two-stage 6 cfm
Hose length	15 ft (4.5 m)
	½" ACME female x 13 mm male adapter

SERVICE PARTS



79R0101 LS	RD-5-11081-0P	Refrigerant Filter
79R4006 LS	RD-5-11148-0P	¼" Female x ¼" Male Acme Refill Adapter (R-134a)
79R0109 LS	RD-5-11146-0P	Red Flex Hose (¼")

LS = Limited to stock on hand

SERVICE EQUIPMENT

PORTABLE RECOVERY SYSTEM

79R0122

RD-5-15353-0P

YJ-LTE Refrigerant Recovery System

The smallest, lightest, most powerful unit in its class. Don't let the small size fool you. The YJ-LTE™ Refrigerant Recovery System is packed with the features you need. Like a built in purge circuit which eliminates the need for external equipment and makes for easy clearing at the end of the job. And superior condenser performance which means the recovery tank stays cooler for a longer period of time, allowing you to recover more refrigerant without high-pressure cut-out. And it's simple to operate, too, with a single valve, single gauge control panel.

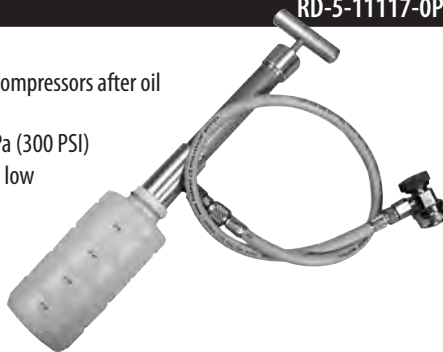


RECHARGE OIL PUMP

79R1730

RD-5-11117-0P

- Used to replace oil in air conditioning system or compressors after oil has been removed
- Easily works with system pressures up to 2070 kPa (300 PSI)
- Includes bottle with calibration marks, hose, and low side R-134a coupler
- Can be used for R-12 systems (use a regular charging hose with 1/4 inch flare fittings)
- Volume per stroke: 1.5 ounces
- System pressures: up to 2070 kPa (300 PSI)
- Holds 16 ounces



REFRIGERANT FILTER & PREFILTER

SERVICE PARTS FOR:

79R0120 RD-5-11087-0P Air Conditioning Recovery/Recycling Unit (R-134a, 110V)

79R0130 RD-5-11089-0P Air Conditioning Recovery/Recycling Unit (R-134a, 220V)

79R0101

RD-5-11081-0P

Refrigerant Filter

Capacity	41 cubic inches
Color	GRAY
Dimensions	3 1/2" (89mm) diameter by 9 1/2" (241cm) overall length



SEALANT FILTER

79R0115

RD-5-14063-0P

Trap™ Sealant Filter System

This rugged filter cartridge connects in-line between a vehicle and any A/C service equipment to protect refrigerant supply, recovery system and oil separators.



Features:

Hi-tech design captures large volumes of sealant oil sludge and other contaminants while still filtering effectively without plugging. Maintenance is fast and simple with a clean-out drain, and when necessary, easy filter replacement.

DIGITAL ELECTRONIC CHARGING SCALE

79R0170

RD-5-11154-0P

Drop-Ship Only

Manual Refrigerant Charging Scale – Battery Powered

- Large heavy duty platform and oversized strain gauge bridge for accuracy and repeatability
- High quality load cell for improved accuracy
- Retractable 5' coiled cord for easier storage
- Water & environment resistance with sealed LCD display and membrane keypad with tactile metal domes
- Overload Protection
- 1/2" bold dark numbers for easy reading outdoors
- Low battery indicator icon on LCD
- Optional AC power pack
- Measure imperial or metric units
- Meets UL and CE requirements
- Compatible with all refrigerants



Refrigerant tank not included.

Specifications:

Capacity:	110 lbs (50kg)
Resolution:	0.1 Ounce / 0.01 Pound / 0.01kg
Accuracy:	± 0.5 oz., ± 0.03 lb., ± 0.015 kg.
Total Unit Weight:	9 lbs. (4.1 kg)
Case Size (LxWxH)	15 1/2" x 12 1/4" x 3 1/4" (394mm x 311mm x 83mm)
Platform Size:	9" X 9" (228mm X 228mm)
Battery:	25 hours continuous use (approximate)
Battery:	9v
Operating Temperature:	32° F to 122° F (0° C to 50° C)

PROGRAMMABLE ELECTRONIC CHARGING SCALE WITH CHARGING MODULE

79R0180

RD-5-11153-0P

Drop-Ship Only

Automatic Refrigerant Charging Scale – 110v, 50 hz

Same features as the 79R0170 above with additional capabilities for automated, economical charging.

Charging module hooks to scale with coiled cord. Simple 3-button operation. Use with all refrigerants.

- Hold/resume mode for switching supply tanks in mid-charge
- Automatic hold if refrigerant flow stops. Extends solenoid life.
- Schrader valve prevents backflow through solenoid
- Power pack eliminates battery draw during charging.



Refrigerant tank not included.

LS = Limited to stock on hand

MANIFOLD GAUGES

MANIFOLD GAUGES

79R3120

RD-5-11104-0P

Manifold Assembly (R-134a)

79R3140

RD-5-11085-0P

Manifold Assembly (R-12)

- Used to check pressure in R-134a and R-12 cooling systems
- Bold, easy to read gauges (large bold numbers and colored scales are easy to read)
- Removable Lexan crystals resist breakage
- Gauge cases are color-coded red and blue
- Pressure tested for reliability
- Forged brass body with metal valve handles for durability
- Surge protector and silicone dampened movement helps minimize needle pulsation for easier, more accurate readings

- Sliding, double O-ring pistons with non-rotating design reduces wear and extends service life
- Fast acting valve (only 1 1/2 turns for full flow)

SERVICE PARTS

79R3137 RD-5-11137-0P Handle Group



STANDARD MANIFOLD GAUGES

79R3125

RD-5-11105-0P

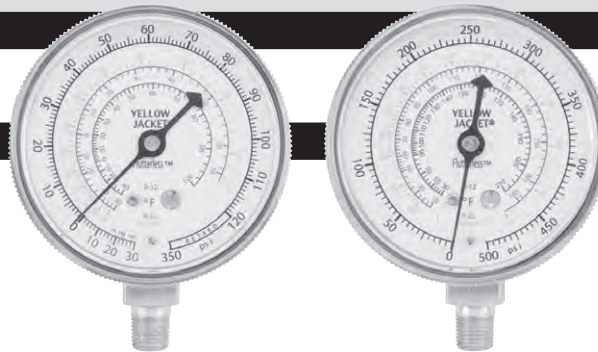
Manifold Gauge, Red, R-134a – 0 to 500 PSI (0 to 3447 kPa)

79R3127

RD-5-11106-0P

Manifold Gauge, Blue, R-134a – 30 to 0 to 120 PSI (206 to 0 to 827 kPa)

- Bold, high-visibility dials have colored temperature scales for easy reading
- Flutterless technology and surge protection minimize needle pulsation



Accuracy 3-2-3 percent

Diameter 2 1/2" (64 mm)

Connections 1/8" NPT

79R3131

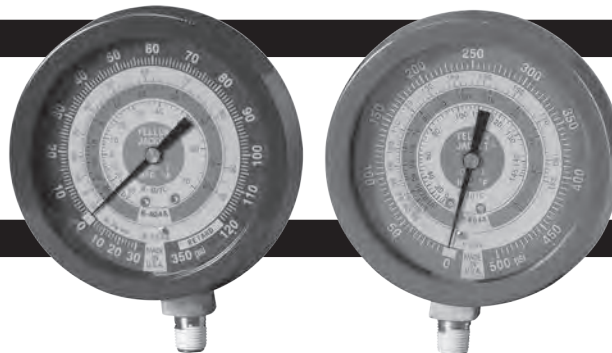
RD-5-15355-0P

3.5" (90mm) Liquid-Filled Manifold Gauge Red 0-500psi
 Offset stem fits all major manifold brands
 Now with zero adjustment
 1/8" NPT Male connection
 Calibrated to 1% accuracy (Class 1)

79R3133

RD-5-15356-0P

3.5" (90mm) Liquid-Filled Manifold Gauge Blue 30"-0-120psi
 Offset stem fits all major manifold brands
 Now with zero adjustment
 1/8" NPT Male connection
 Calibrated to 1% accuracy (Class 1)



REFRIGERANT RECOVERY TANKS

Drop-Ship Only

FOR R-134A & R-12

- Used to store recovered refrigerants
- 79R1810 and 79R1820 are equipped with 3-pin Brad Harrison connector
- Gray and yellow color coding
- Y-valve allows liquid/vapor collection
- Cylinders equipped with a protective collar and handle
- Float switch plug: 3/4"
- Pressure rating: 2400 kPa (350 PSI)

PART NUMBERS

79R1810	RD-5-11120-0P	Cylinder with Float, 30 pound
79R1815	RD-5-11121-0P	Cylinder with Y-Valve (no float) 30 pound
79R1820	RD-5-11122-0P	Cylinder with Float, 50 pound
79R1825	RD-5-11083-0P	Cylinder with Y-Valve (no float) 50 pound



REFRIGERANT IDENTIFIER

79R3591

RD-5-12321-0P

Drop-Ship Only

Hand-held micro infrared spectrometer detector that can readily identify and measure the percentage of purity of R-134a, R-22 and R-12 with 98% accuracy. It can also detect blends and contaminated refrigerants and digitally displays the

percentage of air and alerts you with audible and visual alarms for flammable hydrocarbons.

Operates on 12 volt DC. Includes analyzer, hose, adapters, cord and carrying case.



R-134A TANKS

Drop-Ship Only

- For R-134a refrigerant
- Refillable refrigerant tanks are D.O.T. approved for safety
- Come with the valving necessary for recovery and recycling
- Distinctive blue exterior clearly identifies these tanks as R-134a equipment



79R1911

RD-5-11562-0P

30 lb. Tank with float switch – 134a

79R1912

RD-5-11563-0P

50 lb. Tank only – 134a

79R1914

RD-5-11561-0P

30 lb. Tank only – 134a

WRAP-AROUND HEATER

79R1800

RD-5-11114-0P

Wrap-Around Heater (115V)

- Used to heat 30, 50, and 125 pound refrigerant cylinders
- Maintains an even temperature for constant positive pressure that speeds transfer of refrigerant for a complete charge every time
- Expandable (wraps around 30, 50, and 125 pound refrigerant tanks)
- Thermostat controlled



LS = Limited to stock on hand

SERVICE COUPLERS

79R3178

RD-5-11102-0P

Coupler, chrome with blue anodized body, to 14 mm

- Couplers interface with R-134a service ports
- Quick, easy connect/disconnect
- Control valve allows access to system even at working pressures
- Integral safety sleeve holds coupler securely to service port
- High-flow characteristics



79R3179

RD-5-11103-0P

Coupler, chrome with red anodized body, high side to 14 mm

- Couplers interface with R-134a service ports
- Quick, easy connect/disconnect
- Control valve allows access to system even at working pressures
- Integral safety sleeve holds coupler securely to service port
- High-flow characteristics



79R4005

RD-5-8329-0P

Retrofit R-12 Vacuum Pump to R-134a



R-12 AIR CONDITIONING CHARGING HOSES

- Proven performance
- Double barrier protection for R-12 and R-134a
- Nylon permeation barrier meets U.L. requirements for R-12, R-134a, R-22, and R-503 refrigerants
- Moisture barrier provides improved resistance to moisture (contaminates expensive refrigerant)
- SealRight fittings immediately trap refrigerant in hose when disconnected
- 45° end allows easier connection in tight areas
- Gaskets resist deterioration from R-12 and R-134a refrigerants and oils



PART NUMBERS

79R3162	RD-5-11086-0P	Red 457 cm (15 ft)
79R3164	RD-5-11088-0P	Blue 457cm (15ft)
79R3166	RD-5-11090-0P	Yellow 457 cm (15 ft)
79R3165	RD-5-11091-0P	Yellow 244 cm (8 ft)
79R3161	RD-5-11093-0P	Red (high) 244 cm (8 ft)
79R3163	RD-5-11092-0P	Blue (low) 244 cm (8 ft)

R-134A AIR CONDITIONING CHARGING HOSES

- 1/4" hoses for R-134a refrigerant
- 1/2" Acme fitting meets SAE requirements
- Double-barrier protection
- Threads:
1/2" Acme female
14 mm Acme male



PART NUMBERS

79R3175	RD-5-11094-0P	Yellow 244 cm (8 ft)
79R3173	RD-5-11095-0P	Blue 244 cm (8 ft)
79R3171	RD-5-11096-0P	Red 244 cm (8 ft)
79R3176	RD-5-11097-0P	Yellow 457 cm (15 ft)
79R3174	RD-5-11098-0P	Blue 457 cm (15 ft)
79R3172	RD-5-11099-0P	Red 457 cm (15 ft)
79R3180	RD-5-14064-0P	Blue 914 cm (30 in)
79R3182	RD-5-14065-0P	Red 914 cm (30 in)

7 CFM VACUUM PUMPS

79R4060

RD-5-14061-0P

Vacuum Pump, 115V, 60 Hz

- Rated as “free air displacement” pump
- Rugged metal construction with no plastic to crack or fall off
- Oil reservoir port has a wide-mouth for easier, neater filling; doubles as an pump exhaust; and is threaded to attach garden type hose for exhausting to remote location
- Large oil reservoir helps reduce operating temperature and dilute corrosive contaminants
- Large sight glass for easier monitoring
- Large oil drain valve for quicker draining
- Longer heat dissipation fins for a cooler running unit
- Low operating temperature improves efficiency and vacuum
- Low profile on/off switch to avoid breakage
- Vacuum indicator gauge at pump intake fitting shows evacuation progress at a glance
- (electronic gauge then provides more precise readings)
- Gas ballast speeds evacuation and keeps oil cleaner
- Tethered caps stay with the unit

Pump rating	7 cfm
Field rating	25 microns
Intake	¼ flare and ½" ACME thread
Motor	½ horsepower at 1725 rpm
Internal capacitor thermal overload	Temperature Rise 104°F (40°C)
Voltage (single phase)	115 Volt, 60 Hz or 220 Volt, 50 Hz
Oil capacity	28 oz (0.8 liter)
Dimensions	16 ¼" x 6" x 11 ½" (41.28 x 15.24 x 23.5 cm)



WIRELESS TESTING

79R3578

RD-5-15352-0P

Simplify and automate measurements

- Saves time and reduces costs
- Wirelessly calculates and displays the system's actual pressures, temperatures, superheat and sub cooling in an easy-to-read color format on your smart phone device
- Share screenshots via e-mail right from your phone
- Easily track and store service history
- Rechargeable lithium polymer battery with 10 hours battery life

Package includes:

- Hardware (two devices) with boot
- Temperature Probe Clamp (2)
- USB Cable

YELLOW JACKET ManTooth APP
(free download)



Mantooth Dual Pressure Wireless Digital P/T Gauge

- Wireless connection to your smart device (iPhone, iPad, Android compatible)
- Test system without losing refrigerant (no hoses and manifolds necessary)
- Built-in Schrader ports to easily adjust refrigerant charge
- Range up to 400' (unobstructed)



LCD VACUUM GAUGE & SENSOR

79R0190

RD-5-11115-0P

Drop-Ship Only

LCD Vacuum Gauge

- Vacuum gauge combines thermocoupler sensor technology with advanced IC electronics for precise readings and repeatability not found with thermistor sensors or analog meters
- Precision circuitry to control sensor and then translate sensor input into micron readings
- Provides accurate readings on job after job from 1999 to 1 micron without calibration
- Large, high-contrast digital display for easy reading
- Female to female coupler to connect sensor into system
- Powered from one D cell battery
- Compact design with storage case for sensor, cable, and hose
- Rugged molded case protects electronic circuitry and sensor



79R0195

RD-5-11116-0P

Drop-Ship Only

Thermocouple Sensor

- No adjustments or warmup
- Stays calibrated after on/off switching and long evacuations
- Automatic ambient temperature compensation
- Automatic battery compensation
- Replaceable thermocouple sensor with 1/4-inch flare (no calibration required)
- Comes with 182 cm (6 ft) long sensor cable

HEAVY DUTY RETROFIT ADAPTER KIT

79R8940

RD-5-9986-0P



MISCELLANEOUS

A/C FLUSH

79R4650

RD-5-10206-0P

128 ounce (1 gallon)
6 per case



79R4645

RD-5-14092-0P

128 ounce (1 gallon) NonFlammable
4 per case



79R4655

RD-5-10207-0P

32 ounce (1 quart)
4 per case



79R4685

RD-5-15571-0P

A/C Flush-Power
Clean Aerosol



LEAK DETECTOR

79R3576

RD-5-11365-0P

Heated accuprobe electronic leak detector
DROPSHIP ONLY



Combines proven technology with user-friendly features. Santoprene® holster provides protection and a comfortable grip. Gooseneck probe is 16" long, wraps onto the back for storage; sensing tip fits into the recessed slot. Other features include audible and visual leak indicators, volume control and sensitivity selection for most refrigerants including R-134a, new blends and substitutes.

COMPRESSOR OIL INJECTOR

79R1710

RD-5-8291-0P

R134a

Adding oil to air conditioning compressors is a necessary but slow process. The refrigerant charge is wasted and some disassembly is required. 79R1700 and 79R1710 is used in conjunction with a gauge manifold assembly. It utilizes the pressure differential from the high to the low side of the system to inject 2 oz. of oil into the unit.



OIL DIPSTICK

79R4597

RD-5-11568-0P

Sanden Oil Dipstick



COIL CLEANER

79R4660

RD-5-14082-0P



VACUUM PUMP OIL

79R4710

RD-5-11327-0P

Use with 79R4010
1 quart

Promotes internal sealing for good vacuum and absorbs unwanted vapor from evacuated units. Regular oil changes promote longer vacuum pump life.



REFRIGERANT OIL

79R4550 RD-5-5916-0P

R-12 ONLY

MINERAL OIL 1 quart
Quality, wax-free, compressor oil for air conditioning systems. Printed calibrations to facilitate measured pouring. Viscosity: 500 S.S.U. @ 100°F. 6 per case



79R4563 RD-5-9635-0P

(128 oz.) Ester Oil Plastic Bottle – 100 viscosity
4 per case



79R4587 RD-5-13221-0P

(8 oz.) Pag Oil – Use with R-134a Que and Nippon Denso Compressors – 46 viscosity
6 per case



79R4595 RD-5-8062-0P

R-134a and R-12
(12 oz.) Ester oil – Use with CCI Compressors
12 per case



79R4561 RD-5-9633-0P

(12 oz.) Ester Oil Plastic Bottle – 100 viscosity
6 per case



79R4580 RD-5-7103-0P

(8 oz.) SP15 Pag Oil – Use with R-134a Sanden Compressors – 80 viscosity
6 per case



79R4562 RD-5-9634-0P

(32 oz.) Ester Oil Plastic Bottle – 100 viscosity
6 per case



79R4585 RD-5-7166-0P

(32 oz.) Pag Oil – Use with R-134a Zexel/Seltec/Que (Diesel Kiki) Compressors – 46 viscosity
6 per case



SERVICE EQUIPMENT

MISCELLANEOUS

DIAL THERMOMETER

79R1150 RD-5-10209-0P

1 3/4" dial face with 0° to 220° F range.



FIN COMB

79R1255 RD-5-11113-0P

- Multi-head tool straightens 8, 9, 10, 12, 14, and 15 fins per inch
- Works on radiator evaporator coils and aluminum finned heat exchangers
- Breaks down easily for tool box storage
- Compact 10 cm (4") length



DYE

79R5035 RD-5-13225-0P

For Ester Oil



REFRIGERATION TAPE

79R4400 RD-5-4058-360P

2" wide by 1/8" tape used in covering exposed A/C fittings (30 foot roll)



AIR CONDITIONING SERVICE MANUAL

79R5901 RD-5-11043-0P



WIRE LOOM CONDUIT



79R0125 RD-5-9569-96P

0.250 inside diameter black wire loom conduit

79R0138 RD-5-4762-96P

0.375 inside diameter black wire loom conduit

79R0150 RD-5-5905-96P

0.500 inside diameter black wire loom conduit



79R0225 RD-5-7357-96P

0.250 inside diameter gray wire loom conduit

79R0241 RD-5-5562-96P

0.413 inside diameter gray wire loom conduit

79R0250 RD-5-7171-96P

0.500 inside diameter gray wire loom conduit

79R0258 RD-5-55908-96P

0.625 inside diameter gray wire loom conduit

LS = Limited to stock on hand

R-134A RETRO KITS

79R4600

RD-5-8958-0P

CCI / Tecumseh Retro-kit Applications

Allis Chalmers, Autocar, Brockway, Caterpillar, Chevy/GMC, Deutz-Allis, Diamond Rio, Fiat-Allis, Ford (FS-6, Nippondenso 6E171 use 4379-RD599830 retro fit kit), Ford-Sperry, Ford Tractor, Fox River, Freightliner, Hesston (HFI), International Harvester, IH/Navistar, J.I. Case, John Deere, Long, Kenworth, Mack, Marmon, Massey Ferguson, New Holland, New Idea/Avco, Oliver, Peterbilt, Steiger, Versatile, Volvo/White/GM, Western Star, White Farm. All with compressor model Climate Control/York, Tecumseh

79R4605

RD-5-8960-0P

Sanden / Seltec / Zexel Retro-kit Applications

Caterpillar, Chevy/GMC, Deutz-Allis, Euclid, Fiat-Allis, Allis Chalmers, Ford (FS-6, Nippondenso 6E171 use RD-5-9983-0P retro fit kit), Ford Sperry, Ford Tractor, Freightliner, Hesston (HFI), Hino, International Harvester, IH/Navistar, Isuzu, Iveco, J.I. Case, John Deere, Kenworth, Mack, Marmon, Mercedes, New Holland, Nissan U.D., Oliver, Peterbilt, Steiger, Versatile, Volvo/White/GM, Western Star, White Farm. All with compressor model Sanden/Zexel/Diesel Kiki.



FOR CONVERTING R12 A/C SYSTEMS TO ENVIRONMENTALLY SAFE HFC-134A

Kits include the minimum components necessary to convert from an R12 system to R134a system. Kit includes "O" rings and gaskets, retro charging adapters, R12 charging port eliminator cap, retrofitted identification label and 8oz. of Retro A/C Ester Oil.

NOTE: RETRO KITS ARE NOT ENDORSED BY THE COMPRESSOR MANUFACTURERS.

SEALANT

79R6700

RD-5-7242-0P

Adhesive – 2.8 oz.



LEAK LOCK

79R6710

RD-5-14090-0P

Blue Leak Lock 1.33 oz.



79R6720

RD-5-14089-0P

4 oz. jar



LS = Limited to stock on hand

MISCELLANEOUS

ORIFICE TUBE REMOVER KIT

79R1660

RD-5-11135-0P

Designed to remove all necessary parts of complete or damaged orifice tube



SCHRADER CORE TOOL

79R8945

RD-5-12674-0P

High Flow Schrader Core Remover/Installer Tool



REFRIGERANT CAUTION LABELS

PLEASE NOTE: When servicing R-12 and R-134a systems, the tools that come in contact with the refrigerant (such as gauge sets, charging equipment and recovery recycle equipment) must be dedicated to one refrigerant or cross contamination may occur.

79R0020

RD-5-7106-0M

10 per package

CAUTION: CONTAINS R-134a

AVOID BREATHING A/C REFRIGERANT AND LUBRICANT VAPOR OR MIST. EXPOSURE MAY IRRITATE EYES, NOSE AND THROAT.

TO REMOVE R-134a

FROM A/C SYSTEM, USE SERVICE EQUIPMENT CERTIFIED TO MEET THE REQUIREMENTS OF S.A.E. J2210.

IF ACCIDENTAL SYSTEM DISCHARGE OCCURS, VENTILATE WORK AREA BEFORE RESUMING SERVICE. ADDITIONAL HEALTH AND SAFETY INFORMATION MAY BE OBTAINED FROM REFRIGERANT

AIR CONDITIONER

RED DOT CORP. SEATTLE, WA MODEL NO.

MAXIMUM OPERATING CHARGE OF REFRIGERANT: Lb oz

MAXIMUM OIL CHARGE oz

COMPLIES WITH SAE J639

CAUTION

REFRIGERANT UNDER HIGH PRESSURE SYSTEM TO BE SERVICED BY QUALIFIED PERSONNEL ONLY. IMPROPER SERVICE METHOD MAY CAUSE INJURY. CONSULT SHOP MANUAL

FILL OUT AND ATTACH THIS LABEL TO VEHICLES

ADAPTERS AND COUPLER

- Adapt female quick connect to male thread
- Knurled fittings for easy connection



PART NUMBERS

79R0105	RD-5-11143-0P	Adapter, 1/2" acme female hex to 13mm male R-134a low-side (R-12 to R-134a)
79R4006	RD-5-11148-0P	Coupler, Converts Standard R-12 1/4" flare to R-134a 1/2" acme thread
79R4007	RD-5-11123-0P	Adapter, R-12, female QD to 1/4" male flare
79R4008	RD-5-11138-0P	Adapter, R-134a, 1/4" female QD to 1/2" male ACME

REFRIGERANT RETROFIT LABELS

79R0030

RD-5-10908-0P

10 per package

NOTICE: RETROFITTED to R-134 a
Retrofit procedure performed to SAE J1661
CAUTION: System to be serviced by qualified personnel only.

Retrofit Date: _____

Name of company or individual performing retrofit: _____

Address: _____

City / State _____ Zip _____

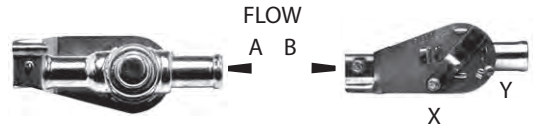
Tel # _____ R-134a Charge _____

Lubricant Type _____ Lubricant Amount _____

Auxiliary Label Location: _____

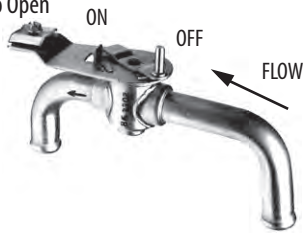
**RED DOT CABLE CONTROLLED WATER VALVES
METAL**

Automotive & Heavy Duty TYPE - IN LINE			FLOW	ON	OFF
72R5040	RD-5-4923-0P	5/8" hose to 5/8" hose	A	X	Y
72R5050	RD-4257-0P	5/8" hose to 5/8" hose	B	X	Y
72R5055	RD-5-10223-0P	5/8" hose to 5/8" hose	B	X	Y
72R5060	RD-5-5119-0P	5/8" hose to 5/8" hose	A	Y	X
72R5070	RD-5-5191-0P	3/4" hose to 3/4" hose	A	X	Y



72R5080 RD-5-5215-0P

5/8" Hose, 90° elbow to 5/8" Hose, 110° elbow
Pull To Open



72R5110 RD-5-8034-0P

5/8" Hose to 3/4" Hose
Pull To Open



72R5600 RD-5-5193-0P

3/4" Hose to 3/4" Hose
Manual Open & Close



72R5500 RD-5-5192-0P

5/8" Hose to 5/8" Hose
Manual Open & Close



WATER VALVES

RED DOT CABLE CONTROLLED WATER VALVES ENGINEERED POLYMER

WATER VALVES

72R5200

RD-5-5300-0P

3/8" Hose to 3/8" Hose
Pull To Close



72R5210

RD-5-5300-1P

3/8" Hose to 3/8" Hose
Pull To Open



72R5285

RD-5-9224-1P

3/8" Hose to 3/8" Hose
Push To Open
Fits John Deere Wheel
Loader 324H, 344H
Replacement Cable Clip
RD-5-8885-0M



72R5203

RD-3-11046-0P

3/4" Hose to 3/4" Hose with Stem Water Control Valve
Pull To Close



Fits Caterpillar Skid Steer, B-Series, Tier II

72R5260

RD-5-5495-1P

3/8" Hose to 3/8" Hose
90° Elbow*
Pull To Open



72R5350

RD-5-8193-2P

3/8" Hose to 3/8" Hose
Pull To Open



72R5204

RD-5-10635-0P

3/8" Hose to 3/4" Hose with Stem Water Control Valve
Pull To Close



Fits Caterpillar Skid Steer, A-Series, Tier I & II

72R5270

RD-5-5495-2P

3/8" Hose to 3/8" Hose
90° Elbow*
Pull To Close



72R5360

RD-5-9224-0P

3/8" Hose to 3/8" Hose



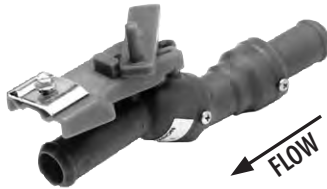
All cable controlled water valves are complete with cable clamp & mounting hardware.

**RED DOT CABLE CONTROLLED WATER VALVES
WITH FLOW RESTRICTER**

Red Dot has designed these water valves with a flow restricter. The restricter reduces water flow to approximately 5 to 6 gallons per minute through the heater core. The benefits are easier modulation, extended water valve life and maximized heater core efficiency.

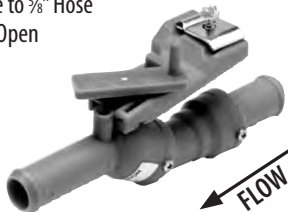
72R5220 RD-5-7760-1P

3/8" Hose to 3/8" Hose
Push To Open



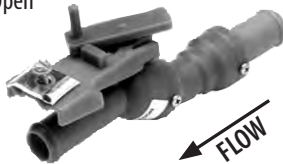
72R5230 RD-5-7760-2P

3/8" Hose to 3/8" Hose
Pull To Open



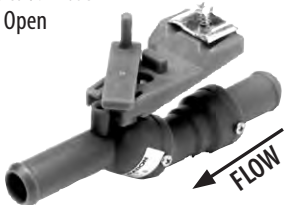
72R5240 RD-5-7760-3P

3/8" Hose to 3/8" Hose
Pull To Open



72R5250 RD-5-7760-0P

3/8" Hose to 3/8" Hose
Push To Open



72R5280 RD-5-8083-0P

3/8" Hose to 3/8" Hose
Push To Open



72R5355 RD-1-2246-0P

3/8" Hose to 3/8" Hose – Water Valve & Self Clinching Pin
Pull To Open



Fits R-9787 Model,
AGCO Tractor 35, 45, 55
Standard & Advanced

72R6515 RD-5-8943-0P

Pull To Open Cable Controller
Fits Freightliner FTLC120
Century Class 1996-2002
OE#A22-44-553-000



72R6520 RD-5-10344-0P

3/8" Hose To 3/8" Hose
Pull to Close
Fits Freightliner
Applications



72R6525 RD-5-8390-0P

Water Valve for Caterpillar Motor Grader 24H



72R6530 RD-5-10345-0P

3/8" Hose To Core Mount – Pull to Close
Fits Freightliner and Volvo Applications



72R6533 RD-5-11319-0P

3/8" Hose To Core Mount – Pull to Open
Fits Freightliner and Volvo Applications
Volvo OE#1118414, 176362



72R6535 RD-5-8894-0P

3/8" Hose To Core Mount – Pull to Open
Fits Caterpillar Long / Large Haul 793, 797



72R6540 RD-5-9415-0P

Red Dot Model R-6120 Gillig Bus, R-6135 Orion Bus
Gillig Models 21-43550, 21-55565
Orion Models 071320036, 058, 151
5/8" x 5/8" hose

Cable controlled
Pull to Open



72R6547 RD-5-10055-0P

3/8" Hose To Core Mount – Pull to Close
Fits Caterpillar Small Track Tractor
(STTT Series)
D3, D4, D5



WATER VALVES

WATER VALVES

RED DOT AIR OPERATED WATER VALVES

WATER VALVES

72R6400

RD-5-8804-0P

5/8" Hose To 5/8" Hose



72R6410

RD-5-8859-0P

3/4" Hose To 3/4" Hose



72R6423

RD-5-8857-2P

5/8" Hose To 5/8" Hose



72R6401

RD-5-8804-1P

5/8" Hose To 5/8" Hose



72R6420

RD-5-8857-0P

5/8" Hose To 5/8" Hose



72R6425

RD-5-8857-3P

5/8" Hose To 5/8" Hose



72R6403

RD-5-8804-2P

5/8" Hose To 5/8" Hose



72R6421

RD-5-8857-1P

5/8" Hose To 5/8" Hose



70R8420

RD-5-4497-0P

Female fitting for air operated water valves on this page



LS = Limited to stock on hand

NOTE: Air operated water valves require 80 to 120 PSI of air to operate. Air supply threads are 1/2"-27 NPT.

ELECTRONIC WATER VALVE

72R7100

RD-5-10258-0P

12 or 24 Volt 5/8" hose connections
Replacement knob available separately: 71R4063



72R7115

RD-3-17795-0P

12 or 24 Volt 5/8" hose connections
Replacement knob available separately: 71R4063



72R7105

RD-5-8135-0P

Replacement
Electronic Water Valve



72R7125

RD-5-13576-0P

12 or 24 Volt 3/4" hose connections
Replacement water valve for R-5300



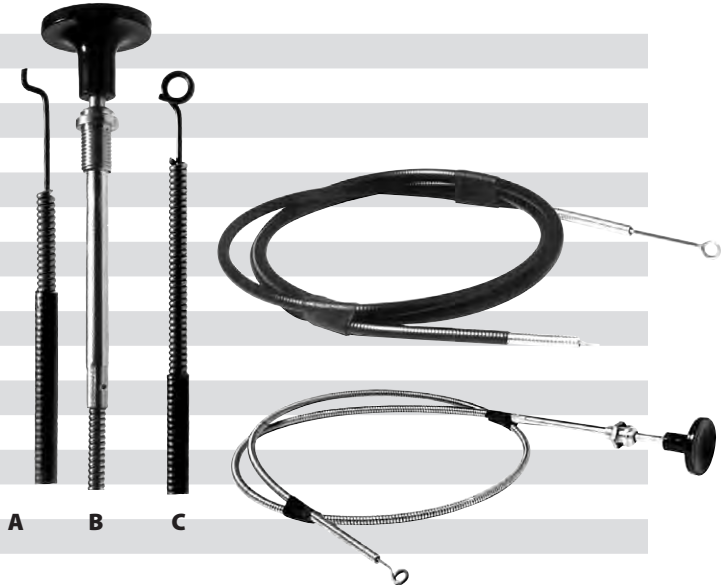
WATER VALVES

WATER VALVES CONTROL CABLES

CONTROL CABLES

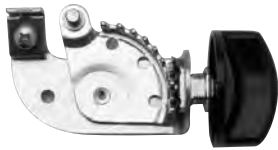
WATER VALVES

PART NO.	Factory No.	Description	End 1	End 2
72R7280	RD-4124-18P	18" with knob	C	B
72R7290	RD-4124-20P	20" with knob	C	B
72R7600	RD-4124-38P	38" with knob	C	B
72R7700	RD-4124-76P	76" with knob	C	B
72R8190	RD-4180-24P	24"	A	C
72R8200	RD-4180-29P	29"	A	C
72R8250	RD-4180-36P	36"	A	C
72R8255	RD-5-9225-36P	36"	C	C
72R8270	RD-5-6802-0P	41"	C	C
72R8280	RD-5-6803-0P	44"	C	C
72R8300	RD-4180-46P	46"	A	C
72R8315	RD-5-6667-46P	46"	C	C
72R8360	RD-4180-57P	57"	A	C
	RD-3-9188-0P	65 1/2"	A	B
72R8400	RD-4180-76P	76"	A	C
72R8410	RD-4180-79P	79"	A	C
72R8415	RD-5-6410-48P	48"	C	C



72R9000 RD-5-7999-0P

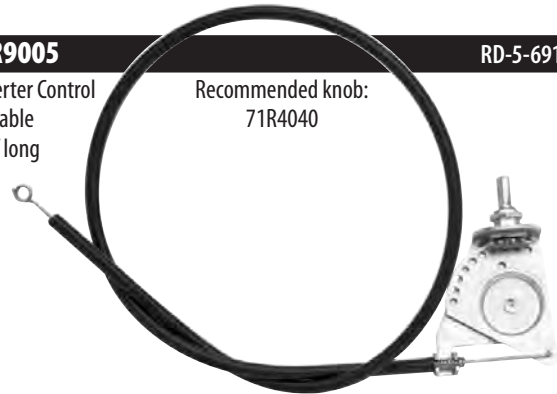
Shown With Knob 71R4020 — Use With Cable Ends "A" & "C"
Replacement Hot/Cool Label RD-5-8886-0M



72R9005 RD-5-6917-2P

Converter Control
and Cable
28 3/4" long

Recommended knob:
71R4040



CABLE CONVERTER ASSEMBLIES



PART NO.	Factory No	Length	Cable End
72R8260	RD-5-9443-2P	24 1/16"	C
72R8265	RD-5-9443-3P	27 1/4"	C
72R8275	RD-5-9443-4P	83 1/4"	C

Wire Guide

Maximum Wire Length for 0.5 Voltage Drop

* Include return wire length (i.e. ground path)

REFERENCE INFORMATION

WIRE GAUGE	Maximum Current In Amps													
	1	2	3	4	5	7.5	10	15	20	25	30	35	40	50
18	91	45	30	23	18	12	9	6	5					
16	116	58	39	29	23	16	12	8	6	5				
14	185	93	62	46	37	25	19	12	9	7	6	5		
12	294	147	98	74	59	39	29	20	15	12	10	8	7	6
10	455	227	152	114	91	61	45	30	23	18	15	13	11	9
8	714	357	238	179	143	95	71	48	36	29	24	20	18	14
ATO Fuse Color	Black	Gray	Violet	Pink	Tan	Brown	Red	Blue	Yellow	White	Green	Blu/Grn	Orange	Red

Maximum wire length in feet [multiply by 0.3048 to convert to meters]

Wire Insulation O.D.

WIRE GAUGE	Metric Wire Size [mm ²]	Insulation Diameter in Inches [MM]		
		TXL	GXL	SXL
18	0.80	0.08 [2.0]	0.09 [2.3]	0.11 [2.7]
16	1.00	0.09 [2.3]	0.10 [2.6]	0.12 [3.0]
14	2.00	0.10 [2.5]	0.12 [3.0]	0.14 [3.6]
12	3.00	0.12 [2.9]	0.14 [3.6]	0.16 [4.1]
10	5.00	0.15 [3.8]	0.17 [4.4]	0.19 [5.0]
8	8.00	0.18 [4.6]	0.21 [5.3]	0.23 [5.8]

Voltage Drop Through Connectors*

TERMINAL	Current in Amps RESULTS BELOW in Millivolts DC								
	5	7.5	10	15	20	25	30	35	40
0.250" Blade	2	4	5	7	10	12	15	17	20
630 Metri-Pack	5	7	10	15	20	25	30	35	
280 Metri-Pack	6	9	12	18	23	29	35		
Weather-Pack	9	14	18	27	36				
150 Metri-Pack	13	20	26	39					
100 Micro-Pack	19	29	38						
Deutsch Size 12	2	3	4	7	9	11			
Deutsch Size 16	4	6	8	13					
Deutsch Size 20	9	13							
Thermostat	61	70							
ISO Relay	46	54	62	79	95	111	128	144	161
Butt Splice	1	2	2	3	4	5	6	7	8
Ring Terminal	2	3	3	5	7	9	10	12	14

* Millivolt drop through connector terminals/components @ 20°C
 Estimate only - values may vary due to condition and age of terminal/component and other ambient conditions.
 Consult manufacturer for specific information and usage limitations.

R-134a Pressure/Temperature Chart - SAE

Evaporator: Pressure (PSIG) represents gas temperatures inside the coil and not the coil surfaces. Add to temperature for coil and air-off temperatures (8°–10°F). Conditions will vary for different system configurations. Refer to manufacturers specifications.

Condenser: Temperatures are not ambient temperatures. Add to ambient (35°–40°F) for proper heat transfer, then refer to pressure chart. For example: 90°F ambient temperature + 40°F = 130°F
Condenser temperature = 180 PSIG (based on 30 mph air flow)

PSIG	°F	PSIG	°F	PSIG	°F	PSIG	°F	PSIG	°F	PSIG	°F
16	16	38	44	75	73	130	103	220	137	330	168
18	19	40	48	80	76	135	105	230	141	340	170
20	22	42	47	85	79	140	107	240	144	350	172
22	25	44	49	90	82	145	110	250	147	360	175
24	27	46	50	95	85	150	112	260	150	370	177
26	30	48	52	100	88	160	116	270	152	380	179
28	32	50	54	105	91	170	120	280	155	390	181
30	34	55	58	110	93	180	124	290	158	400	183
32	36	60	62	115	96	190	127	300	160		
34	39	65	66	120	98	200	131	310	163		
36	41	70	69	125	101	210	134	320	165		

RD-5-13053-0P Rev-

REFERENCE
INFORMATION

R-134a Pressure/Temperature Chart - Metric

kPa	°C	kPa	°C	kPa	°C	kPa	°C	kPa	°C	kPa	°C
110	-9	262	7	517	23	896	39	1517	58	2275	76
124	-7	276	9	552	24	931	41	1586	61	2344	77
138	-6	290	8	586	26	965	42	1655	62	2413	78
152	-4	303	9	621	28	1000	43	1724	64	2482	79
165	-3	317	10	655	29	1034	44	1793	66	2551	81
179	-1	331	11	689	31	1103	47	1862	67	2620	82
193	0	345	12	724	33	1172	49	1931	68	2689	83
207	1	379	14	758	34	1241	51	1999	70	2758	84
221	2	414	17	793	36	1310	53	2068	71		
234	4	448	19	827	37	1379	55	2137	73		
248	5	483	21	862	38	1448	57	2206	74		

Evaporator: Pressure (kPa) represents gas temperatures inside the coil and not the coil surfaces. Add to temperature for coil and air-off temperatures (8°–10°F). Conditions will vary for different system configurations. Refer to manufacturers specifications.

Condenser: Temperatures are not ambient temperatures. Add to ambient (35°–40°F) for proper heat transfer, then refer to pressure chart. For example: 90°F ambient temperature + 40°F = 130°F
Condenser temperature = 180 kPa (based on 30 mph air flow)

RED DOT CORPORATION

Air Conditioning System

**Preventative
Maintenance
Schedule**

REFERENCE
INFORMATION

MAINTENANCE INTERVALS

3 =	First 3 months of ownership	15,000 miles	375 hours
6 =	First 6 months of ownership	30,000 miles	750 hours
12 =	12 months	60,000 miles	1500 hours

SPECIAL NOTE:

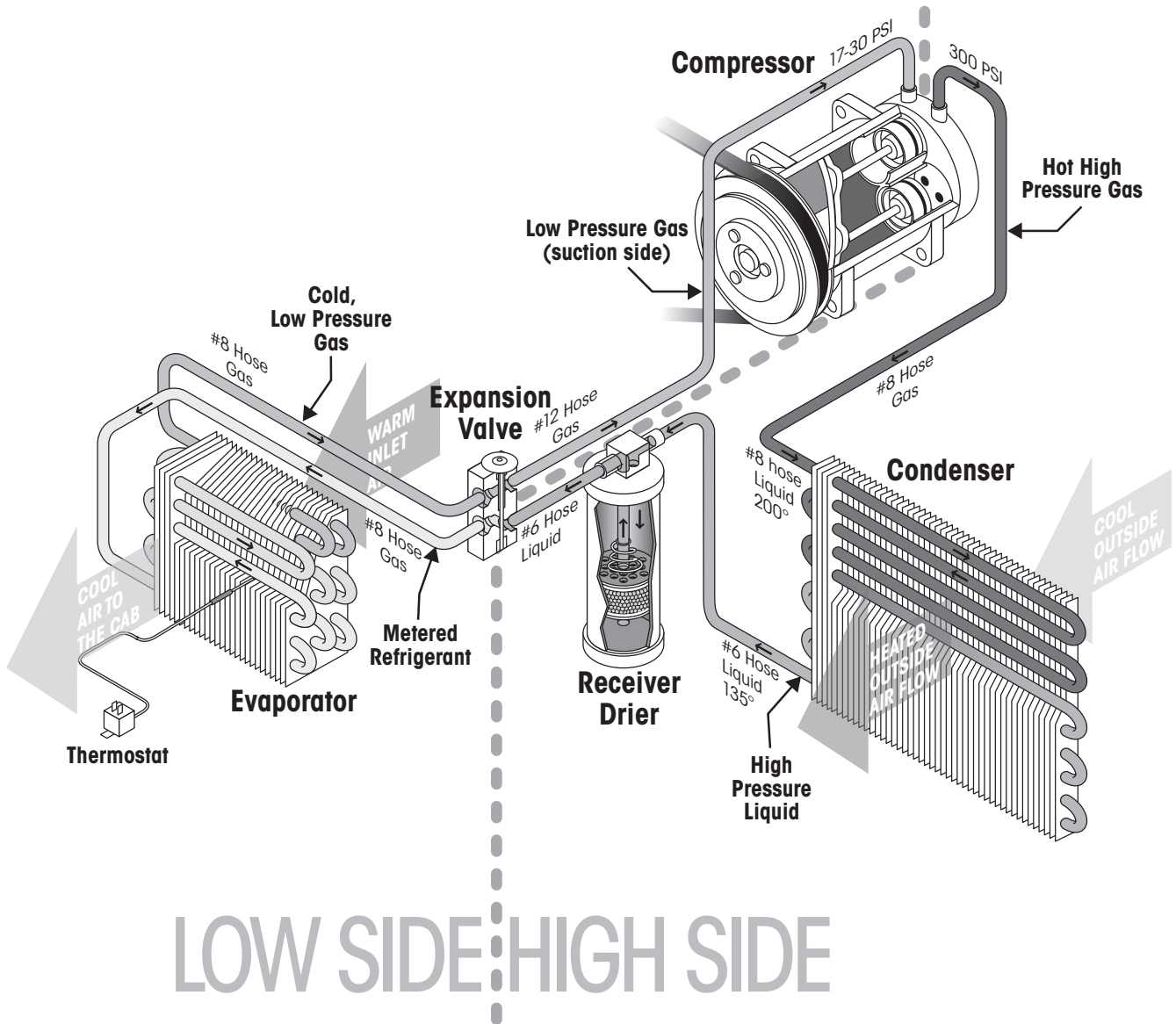
Use caution when performing preventative system maintenance, ambient conditions (heat load) will increase refrigerant hose temperatures.

	Owner/Operator Maintenance		Technician Maintenance
	Maintenance Interval (months)	3	6
1. System Maintenance			
<input type="checkbox"/> Perform visual system inspection	●	●	
<input type="checkbox"/> Perform manifold gauge check.			●
<input type="checkbox"/> Recover and Recycle System refrigerant			
<input type="checkbox"/> Perform system evacuation and leak test			
<input type="checkbox"/> Recharge system with correct refrigerant charge amount			
2. Compressor and Belt Drive System			
<small>For systems that do not have A/C interlock, (A/C compressor engages when the defrost mod is activated) use the following procedure on a monthly basis. Activate the A/C system for a minimum of 5 minutes every 30 days to circulate the refrigerant system lubrication and verify that the condenser fan(s) (either engine fan for radiator-mounted condensers or electric fans for remote-mounted condensers) engage and/or cycle on and off.</small>			
<input type="checkbox"/> Check discharge line (warm/hot to touch)	●	●	
<input type="checkbox"/> Check suction line (cool to touch)	●	●	
<input type="checkbox"/> Inspect face of clutch hub for signs of slippage (heat discoloration)	●	●	
<input type="checkbox"/> Check clutch working voltage and current draw (4 amps @ 12 volts / 2 amps @ 24 volts)			●
<input type="checkbox"/> Inspect shaft seal for presence of oil and dirt indicating leakage	●	●	
<input type="checkbox"/> Confirm alignment of clutch pulley with crankshaft drive pulley (belt will show side wear)	●	●	
<input type="checkbox"/> Inspect idler pulley for bearing wear (looseness)	●	●	
<input type="checkbox"/> Inspect compressor belt for glazing or cracking	●	●	
<input type="checkbox"/> Check belt tension (verify manufacturer's specs in owners manual)	●	●	
3. Condenser			
<input type="checkbox"/> Inspect tubes for obvious dents and oil stains/dirt indicating leakage	●	●	
<input type="checkbox"/> Clean dirt and bugs from condenser fin area (more frequently under severe operating conditions)	●	●	
<input type="checkbox"/> Inspect condition of fins (straighten as required)	●	●	
4. Receiver Drier (Filter)			
<input type="checkbox"/> Note: Replace annually or any time refrigerant system is opened			●
<input type="checkbox"/> Check moisture indicator, either remote mounted or built into the drier (blue is OK while pink or white indicates moisture presence and replacement required)	●	●	
<input type="checkbox"/> Check temperature of drier canister while running (warm to touch)	●	●	
5. Expansion Valve			
<input type="checkbox"/> Check inlet (liquid) line from drier (warm to touch)	●	●	
<input type="checkbox"/> Check refrigerant charge head for damage and leakage			●
6. Evaporator			
<input type="checkbox"/> Clean dirt, bugs and airborne particulate from fin area	●	●	
<input type="checkbox"/> Clean dirt, bugs and airborne particulate from the drain pan and drain hole	●	●	
<input type="checkbox"/> Inspect drain pump (if present) and float for obstructions and operation	●	●	
7. Other Components			
<input type="checkbox"/> Thermostat: Check for proper operation			●
<input type="checkbox"/> Filters: Inspect and clean or replace as needed (dirty filters can cause airflow restriction and premature blower failure)	●	●	
<input type="checkbox"/> Pressure Switches: With manifold gauges installed, check refrigerant pressure switches for proper operation			●
<input type="checkbox"/> Water Valve : Check water valve for proper operation (with control panel temp setting in full cold position, valve should be closed)			●

**REFERENCE
INFORMATION**

TYPICAL PLUMBING SCHEMATIC

REFERENCE INFORMATION



Air conditioner components are connected together to illustrate system operation. The components shown are not to scale. The refrigerant and refrigerant oil are clear in color and not visible in this drawing; however, we've attempted to suggest temperature variants through the use of values of gray in the pipeline. The small arrows inside the components and connecting hoses show the direction of refrigerant flow (refrigerant circuit).

MEASUREMENT	METRIC EQUIVALENT	FORMULA OR COMMENTS
1" (inch)	2.54 cm (centimeters)	
1 cu in (cubic inch)	16.387 cm ³	
1 ft (foot)	30.48 cm	1 ft = 12 inches
1 fl. oz. (fluid ounce)	29.5735 cm ³	
1 BTU (British Thermal Unit)	0.25199576 kcal (kilocalorie) (Energy or heat exchange)	for power (Energy/Time), use formula: 1 BTU/hour = 0.000293 kW (kilo Watt)
32° F (Fahrenheit)	0° C (Celsius)	
102° F	40° C	$[(X^{\circ}F - 32) / 9] \times 5 = Y^{\circ}C$
1 CFM (cubic foot/minute)	1.699 m ³ /h (cubic meter/hour)	
1# (lb or pound)	0.45359 kg (kilogram)	
1 PSI (pound per square inch)	6.895 kPa (kilo Pascal)	also = 0.07 kg/cm ²

HOSE SIZES

A/C hose size is determined by the inside diameter of the hose. Hose sizes are also known by the "6, 8, 10, and 12" number designations. The chart below shows hose inside diameters (I.D.) and their corresponding size numbers:

HOSE SIZE	HOSE I.D. (in.)	HOSE I.D. (mm)
#6	5/16" (0.312)	8
#8	13/32" (0.406)	10
#10	1/2" (0.500)	13
#12	5/8" (0.625)	16

FITTING SIZES

Fitting sizes are identified generally as "6, 8, 10, and 12". These numbers come from 6/16 of an inch, 8/16", 10/16" and 12/16", which generally identify the tube diameter at the point that it passes through the attached threaded nut.

NOTE: Metric threaded connections are not included in this sizing method.

ACT	
2160074	71R8301
400-009	75R8712Q
400-013	75R86202Q
400-016	75R8672Q
400-045	75R86142Q

AIR SOURCE	
0008	70R5057
0012	75R5525
0016	70R5051
0017	70R5052
0042EZ	70R8838
0108	70R5046
0113	70R5042
0121	75R5525
0126	70R5022
0127	70R5024
0128	70R5026
0130	70R5022
0131	70R5032
0134B	RD-5-7188-0-35M
0136	75R5530
0137	75R5535
0138	75R5580
0139	75R5585
0141	70R5033
0142	70R5034
0199	70R5020
1021	71R0050
1025	71R0150
1026	71R0300
1028	71R0400
1030	71R0100
1038	71R0475
1040	71R0260
1042	71R0487
1045	71R0250
1050	71R0450
1055	71R0460
1056	71R0453
1058	71R0485
1060	71R0200
1070	71R0470
1082	71R0480
1102	71R0700
1104	71R0500
1105	71R0550
1106	71R0600
1107	71R0650
1109	71R0852
1110	71R0854

AIR SOURCE	
1111	71R0872
1150	71R1150
1151	71R1160
1155	71R1210
1160	71R1200
1174	RD-5-10194-0P
1179	71R0884
1180	RD-6-4661-1P
1181	71R1510
1183	71R3502
1184	71R3550
1185	RD-3-3725-0P
1186	71R1520
1187	71R0040
1200	71R1457
1211	71R1310
1214	71R1300
1216	71R1315
1217	71R1320
1218	71R1325
1219	71R1330
1220	71R1450
1221	71R1460
1224	71R1467
1228	71R1457
1229	71R1455
1233	71R1457
1235	71R0030
1239	71R0030
1240	71R1610
1241	71R1620
1243	71R1470
1245	71R1652
1246	71R1802
1250	71R1702
1251	71R1704
1252	71R1722
1255	71R1922
1260	71R1910
1261	71R1902
1262	71R1904
1263	71R1912
1264	71R1914
1270	71R4030
1271	71R4040
1272	71R4050
1275	71R4060
1283	71R4010
1289	71R4060
1291A	71R4020
1311	71R1170

AIR SOURCE	
1315	71R3150
1318	71R2100
1324	71R6155
1325	71R2500
1326	71R2600
1327	71R2700
1328	71R2800
1331	71R3100
1332	71R2200
1333	71R3300
1335	71R2310
1336	71R2250
1337	71R2305
1340	71R3220
1342	71R3160
1343	71R2605
1348	71R2300
1349	71R3155
1350	71R3300
1362	71R1485
1363	71R1480
1364	71R1401
1374	71R6270
1380	71R6444
1384	71R6410
1386	71R6426
1388	71R6445
1399	71R6045
1400	71R6265
1411	71R6095
1412	71R6093
1415	71R6300
1418	71R6255
1420	71R6257
1426	71R6040
1430	71R6050
1437	71R6160
1438	71R6170
1439	71R6180
1447	71R6130
1448	71R6140
1450	71R6030
1452	71R6080
1454	71R6220
1461	71R6185
1464	RD-5-9267-0P
1468	71R6110
1473	71R6260
1476	71R6020
1481	71R6100
1482	71R6090

**Convert
Other Part
Numbers
to Red Dot
Aftermarket
Numbers**

**CROSS
REFERENCE**

O.E.M. PART NUMBER CROSS REFERENCE

Convert Other Part Numbers to Red Dot Aftermarket Numbers

CROSS
REFERENCE

AIR SOURCE	
1487	71R6120
1488	71R6070
1489	71R6235
1490	71R6220
1491	71R6100
1492	71R6183
1493	71R6181
1495	71R6120
1496	71R6210
1497	71R6230
1498	71R6210
1499	71R6210
1500	71R7000
1502	71R7100
1510	71R7050
1511	71R6125
1512	71R7075
1513	71R7077
1515	71R7073
1517	71R7750
1518	71R7710
1519	71R6175
1521	71R1475
1524	71R4511
1545	75R89327
1550	71R7500
1555	71R7600
1560	71R7550
1565	71R7650
1600	71R8301
1602	71R8321
1603	71R8385
1604	71R8400
1606	71R8370
1607	71R8410
1609	71R8405
1610	71R8050
1611	71R8430
1612	71R8415
1613	71R8350
1614	71R8440
1615	71R8425
1618	71R8453
1619	71R8455
1620	71R8080
1621	71R8457
1622	71R8467
1623	71R8477
1625	71R8100
1627	71R8450
1635	71R8210

AIR SOURCE	
1639	71R8090
1640	71R8090
1642	71R8475
1644	71R8479
1645	71R8350
1648	71R8420
1650	71R8500
1651	71R8503
1652	71R8504
1653	71R8501
1654	71R8505
1655	71R9002
1656	71R8506
1662	71R8507
1667	71R8420
1668	71R8430
1672	71R8465
1675	71R8510
1705	72R3110
1709	72R2130
1710	72R2140
1711	72R2150
1712	72R2200
1713	72R2250
1714	72R2300
1718	72R2600
1719	72R3110
1720	72R3100
1721	RD-5-5676-0P
1722	72R3510
1723	72R3530
1724	72R3550
1730	72R3200
1734	72R3120
1735	72R2110
1738	72R3111
1739	72R2351
19-9711	R-6830-0-24P
2002	72R1502
2004	72R0070
2005	72R0050
2010	72R0210
2012	72R1210
2013	72R1100
2014	72R1200
2015	72R1300
2016	72R1310
2020	72R0220
2021	72R0500
2023	72R0610
2024	72R0190

AIR SOURCE	
2025	72R0600
2026	72R0260
2027	72R0200
2040	72R0240
2051	RD-5-6052-0P
2052	RD-5-6053-0P
2104	72R5040
2105	72R5050
2106	72R5060
2107	72R5070
2210	72R5210
2211	72R5200
2224	72R6510
2240	72R6510
2247	72R5080
2248	72R6530
2249	72R6520
2260	72R6515
2270	72R5270
2271	72R5260
2280	72R5220
2281	72R5230
2282	72R5240
2283	72R5250
2284	72R5280
2305	72R6400
2306	72R6401
2310	72R6420
2315	72R6410
2345	72R6562
2346	72R6554
2347	72R6547
2348	72R6535
2349	72R6525
2350	72R5360
2351	72R5203
2352	72R6540
2374	RD-3-8711-0P
2380	71R3575
2383	71R3582
2385	71R3580
2386	71R3585
2392	71R3571
2393	71R3573
2394	71R3576
2395	71R3578
2455	72R5500
2456	72R5600
2529	72R9000
2530	72R7700
2531	72R8315

AIR SOURCE	
2533	72R8200
2534	72R7600
2535	72R8400
2536	72R8250
2538	72R8410
2539	72R8300
2540	72R8270
2541	72R8280
2600	70R7310
2650	70R7100
2651	70R7200
2652	70R7170
2653	70R7500
2654	70R7700
2655	70R7110
2656	70R7270
2657	70R7550
2658	70R7750
2659	70R7600
2660	70R7150
2661	70R7250
2662	70R7650
3012	73R0104
3022	73R0352
3034	73R0422
3035	73R0222
3044	73R0222
3045	73R0604
3051	73R2212
3056	73R0404
3057	73R0152
3062	73R0062
3070	RD-5-5269-1P
3072	73R0102
3102	73R2102
3109	73R2102
3130	73R0502
3150	73R0364
3182	73R4182
3183	73R4322
3204	73R2202
3205	73R2152
3206	73R2242
3215	73R2112
3224	73R4204
3231	73R4532
3232	73R4202
3234	73R4254
3237	73R4104
3240	73R4504
3247	73R5592

O.E.M. PART NUMBER CROSS REFERENCE

Convert Other Part Numbers to Red Dot Aftermarket Numbers

AIR SOURCE	
3248	73R5562
3249	73R2122
3251	75R5652
3260	73R2132
3267	73R2142
3283	73R4602
3308	73R0332
3322	73R4322
3341	73R0232
3342	73R0702
3351	73R0152
3354	73R0092
3368	73R0522
3372	73R0702
3373	73R0404
3385	73R4062
3389	73R4162
3393	73R4102
3402	73R0402
3454	73R0454
3458	73R0652
3459	73R0012
3470	73R0642
3471	73R0142
3472	73R4424
3502	73R4312
3512	73R0512
3514	73R0514
3542	73R0542
3552	73R0552
3560	RD-5-8705-0P
3561	RD-5-8705-1P
3565	73R8584
3568MP	73R8592
3602	73R0602
3641	73R6051
3650	73R6230
3655	73R6251
3675	73R6381
3691	73R6253
3738	73R7130
3739	73R7215
3741	73R6253
3750	73R7151
3761	73R2262
3762	73R0412
3764	73R7200
3765	73R7210
3769	73R1052
3772	73R7130
3775	73R6383

AIR SOURCE	
3782	73R3102
3814	73R8320
3854	73R9054
3855	73R9062
3862	73R9052
3909	RD-5-3860-4P
3910	RD-3-3425-0P
3911	RD-2-1206-3P
3912	73R0912
3914	73R1002
3922	73R0922
3924	73R3002
3925	73R2102
3926	73R0422
3927	73R0532
3928	RD-5-4387-0P
3932	73R0432
3933	73R0322
3934	73R0202
3936	73R3032
3938	73R0442
3941	73R3112
3943	73R0662
3944	73R3062
3945	73R0612
3946	73R0612
3949	73R4262
3950	73R4242
3952	73R4252
3962	73R0962
3963V	73R8712
3964	73R3022
3965	73R0572
3967	73R3122
3968	73R3132
3971	73R4274
3972	73R3142
3973	73R3152
3977	73R4122
3978	73R0562
3979	73R5522
3981	73R5572
3982	RD-3-14448-0P
3983	73R0622
3986	73R5574
3994	73R5512
3995	73R5514
3996	73R5532
3997	73R5534
3998	73R5552
3999	73R5554

AIR SOURCE	
4101	70R5706
4102	70R5708
4103	70R5701
4104	70R5770
4106	70R5550
4120EZ	70R8826
4121EZ	70R8828
4122EZ	70R8821
4123EZ	70R8822
4124EZ	70R8806
4125EZ	70R8808
4126EZ	70R8801
4127EZ	70R8802
4139	70R3800
4140	70R3256
4141	70R7050
4142	70R3206
4142A	70R3406
4143	70R3208
4143A	70R3408
4144	70R3256
4150	70R3500
4151	70R3550
4152	70R3590
4157	70R3530
4218	70R2306
4219	70R2301
4220	70R2206
4221	70R2201
4280	70R1306
4281	70R1308
4282	70R1301
4284	70R1396
4285	70R1398
4286	70R1391
4288	70R1406
4289	70R1408
4290	70R1401
4292	70R1496
4293	70R1498
4294	70R1491
4326	70R4416S
4326S	70R4416S
4329	70R4996
4330	70R4998
4331	70R4991
4335S	70R4311S
4338	70R4106
4339	70R4108
4340	70R4101
4341	70R4102

AIR SOURCE	
4346	70R4546
4347	70R4198
4348	70R4191
4349	70R4192
4350	70R4206
4351	70R4208
4352	70R4201
4353	70R4202
4358	70R4296
4359	70R4298
4360	70R4291
4361	70R4292
4380EZ	70R8716
4381EZ	70R8711
4381S	70R4701S
4381SR	70R9701S
4388	70R4006
4389	70R4306
4389EZ	70R8306
4389S	70R4306S
4389SR	70R9306S
4390	70R4308
4390EZ	70R8308
4390S	70R4308S
4390SR	70R9308S
4391	70R4301
4391EZ	70R8301
4391S	70R4301S
4391SR	70R9301S
4392	70R4302S
4392EZ	70R8302
4392S	70R4302S
4392SR	70R9701S
4393	70R4346
4393EZ	70R8346
4393S	70R4346S
4394	70R4348
4394S	70R4348S
4395	70R4341
4395EZ	70R8341
4395S	70R4341S
4396	70R4342
4396S	70R4342S
4398	70R4396
4398AR	70R9396S
4398EZ	70R8006
4398S	70R4396S
4398SR	70R9396S
4399	70R4398
4399EZ	70R8008
4399S	70R4398S

CROSS
REFERENCE

O.E.M. PART NUMBER CROSS REFERENCE

Convert Other Part Numbers to Red Dot Aftermarket Numbers

CROSS REFERENCE

AIR SOURCE	
4399SR	70R9398S
4400	70R4391
4400AR	70R9391S
4400EZ	70R8001
4400S	70R4391S
4400SR	70R9391S
4401	70R4392
4401EZ	70R8781
4401S	70R4791
4401SR	70R9791S
4402	70R4406
4402AR	70R9406S
4402EZ	70R8606
4402S	70R4406S
4402SR	70R9406S
4403	70R4408
4403AR	70R9408S
4403EZ	70R8608
4403S	70R4408S
4403SR	70R9408S
4404	70R4401
4404AR	70R9401S
4404EZ	70R8601
4404S	70R4401S
4404SR	70R9401S
4405	70R4402
4405EZ	70R8602
4405S	70R4402S
4405SR	70R9402S
4406	70R4446
4406EZ	70R8646
4406S	70R4446S
4407	70R4448
4407S	70R4448S
4408	70R4441
4408EZ	70R8641
4408S	70R4441S
4409	70R4442
4409EZ	70R8642
4410	70R4496
4410AR	70R9496S
4410EZ	70R8696
4410S	70R4496S
4410SR	70R9496S
4411	70R4498
4411AR	70R9498S
4411EZ	70R8698
4411S	70R4498S
4411SR	70R9496S
4412	70R4491
4412AR	70R9491S

AIR SOURCE	
4412EZ	70R8691
4412S	70R4491S
4412SR	70R9491S
4413EZ	70R8692
4413S	70R4492S
4413SR	70R9492S
4414S	70R4798
4415	70R4796
4415EZ	70R8786
4415S	70R4796S
4416	70R4392
4416EZ	70R8002
4416S	70R4392S
4419EZ	70R82511
4423EZ	70R8788
4428	70R4606
4428EZ	70R8706
4428S	70R4606S
4429	70R4608
4429EZ	70R8708
4429S	70R4608S
4430	70R4601
4430EZ	70R8701
4430S	70R4601S
4432	70R4602
4435	70R4696
4435EZ	70R8796
4435S	70R4696S
4436	70R4698
4436EZ	70R8798
4436S	70R4698S
4437	70R4691
4437EZ	70R8791
4437S	70R4691S
4443EZ	70R8591
4444	70R6096
4444EZ	70R8086
4444S	70R6096S
4445	70R6098
4445EZ	70R8088
4445S	70R6098S
4446	70R6091
4446EZ	70R8071
4446S	70R6091S
4447	70R6006
4447EZ	70R8886
4447S	70R6006S
4448	70R6008
4448EZ	70R8888
4448S	70R6008S
4449	70R6001

AIR SOURCE	
4449EZ	70R8881
4449S	70R6001S
4459S	70R4692S
4460S	70R4096S
4461S	70R4098S
4462S	70R4091S
4463S	70R4092S
4466	70R2096
4466EZ	70R8296
4467	70R2098
4467EZ	70R8298
4468	70R2091
4468EZ	70R8291
4469	70R2092
4469EZ	70R8292
4470	70R4506
4470S	70R4506S
4471	70R4508
4471S	70R4508S
4472S	70R4501S
4473	70R4502
4473S	70R4502S
4474	70R4596
4474S	70R4596S
4475	70R4598
4475S	70R4598S
4476	70R4591
4476S	70R4591S
4478	70R2016
4478AR	70R9012S
4478EZ	70R8216
4478S	70R2016S
4478SR	70R9016S
4479	70R2018
4479AR	70R9018S
4479EZ	70R8218
4479S	70R2018S
4479SR	70R9016S
4480	70R2011
4480AR	70R9011S
4480EZ	70R8211
4480S	70R2011S
4480SR	70R9018S
4481	70R2012
4481AR	70R9012S
4481EZ	70R8212
4481S	70R2012S
4481SR	70R9011S
4482	70R2036
4482S	70R2036S
4482SR	70R9012S

AIR SOURCE	
4483	70R2038
4483S	70R2038S
4484	70R2031
4484S	70R2031S
4485	70R2406
4485S	70R2406S
4486	70R2408
4486EZ	70R8288
4486S	70R2408S
4487	70R2401
4487EZ	70R8281
4487S	70R2401S
4489	70R2402
4489EZ	70R8282
4489S	70R2402S
4490S	70R4006S
4491S	70R4008S
4492S	70R4001S
4493S	70R4002S
4494	70R2066
4494S	70R2066S
4495	70R2068
4495EZ	70R8068
4495S	70R2068S
4496	70R2061
4496EZ	70R8061
4496S	70R2061S
4497EZ	70R8062
4497S	70R2062S
4499S	70R84051S
4502	70R7006
4502EZ	70R8206
4502SR	70R9906S
4503EZ	70R8208
4503S	70R7008S
4503SR	70R9908S
4504EZ	70R8201
4504S	70R7001S
4504SR	70R9901S
4505EZ	70R8621
4505S	70R7002S
4505SR	70R9001S
4506S	70R6446S
4507	70R6448
4508	70R6441
4510	70R6496
4510EZ	70R8096
4510S	70R6496S
4510SR	70R9996S
4511EZ	70R8098
4511S	70R6598S

O.E.M. PART NUMBER CROSS REFERENCE

Convert Other Part Numbers to Red Dot Aftermarket Numbers

AIR SOURCE	
4511SR	70R9998S
4512EZ	70R8091
4512S	70R6491S
4512SR	70R9991S
4513EZ	70R8761
4513S	70R5091S
4513SR	70R9091S
4524	75R5768
4525	75R5738
4534EZ	70R8688
4537EZ	70R8681
4539EZ	70R8398
4541S	70R42390S
4542EZ	70R8598
4543EZ	70R8092
4550EZ	70R8198
4578	70R2076
4578EZ	70R8276
4578S	70R2076S
4578SR	70R9076S
4579	70R2078
4579EZ	70R8278
4579S	70R2078S
4579SR	70R9078S
4580	70R2071
4580EZ	70R8271
4580S	70R2071S
4580SR	70R9071S
4581	70R2072
4581EZ	70R8272
4581S	70R2072S
4581SR	70R9072S
4582EZ	70R8261
4670EZ	70R8556
4672EZ	70R8558
4674EZ	70R8551
4676EZ	70R8511
4808	70R5057
4811	70R5056
4817	70R5052
4828A	79R1546
4829A	79R1541
4834	79R1503
4835	77R1504
4840	79R1516
4840A	79R1536
4840R	79R9516
4841	79R1518
4841A	79R1538
4842	79R1521
4842A	79R1531

AIR SOURCE	
4843	79R1522
4845	79R1520
4846	79R1525
4860	79R1502
4861	79R1505
4872	79R1504
4913	70R3006
4914	70R3008
4916	70R6506
4917	70R6508
4918	70R6501
4919	70R3001
4921	70R3008
4944	79R1560
4966	70R3906
4970	70R3901
4986	79R1686
4987	79R1688
4988	79R1681
4989	79R1682
4990	79R9686
4992	79R9681
4993	79R9682
5009	75R1352
5011	75R0152
5029	75R0662
5030	75R0612
5031	75R0302
5032	75R1342
5033	75R2402
5034	75R4352
5036	75R1652
5037	75R1802
5038	75R3602
5039	75R2552
5041	75R4502
5042	75R3454
5043	75R4352
5044	75R0452
5045	75R4734
5047	75R4052
5050	75R0262
5051	75R0082
5053	75R0092
5054	75R1412
5055	75R0222
5056	75R0182
5057	75R0202
5058	75R0204
5059	75R1402
5060	75R0042

AIR SOURCE	
5061	75R1872
5062	75R2702
5063	75R4652
5064	75R0194
5066	75R0192
5067	75R0052
5068	75R1862
5072	75R4702
5074	75R4722
5075	75R4732
5076	75R0252
5077	75R0274
5078	75R4782
5079	75R4792
5080	75R4742
5081	75R4752
5082	75R4762
5096	75R3002
5097	75R1222
5116	75R1832
5121	75R1512
5122	75R1432
5123	75R1522
5125	75R1512
5126	75R0502
5127	75R0512
5128	75R0682
5129	75R0522
5130	75R0452
5131	75R0402
5135	75R1404
5137	75R1842
5138	75R1532
5139	75R1542
5141	75R3452
5143	75R1222
5144	75R1202
5145	75R1302
5150	75R8102
5152	75R8184
5163	75R1532
5167	75R1852
5177	75R4802
5179	75R8252
5236	75R7280
5247	75R7295
5250	75R8102
5252	75R8184
5252A	75R8184
5256	75R7290
5258	75R7300

AIR SOURCE	
5262	75R7312
5264	75R7362
5266	75R7322
5269	75R7332
5271	RD-5-14051-0P
5282	75R89352
5283	75R89354
5285	75R89302
5286	75R89312
5287	75R89334
5288	75R89462
5289	75R89392
5290	75R89422
5291	75R89424
5293	75R89474
5294	75R89484
5295	75R89372
5296	75R89374
5300	75R84112
5302	75R81334
5303	75R81412
5304	75R81104
5305	75R81432
5312	75R81274
5313	75R84594
5314	75R81492
5316	75R81114
5317	75R81402
5318	75R81134
5320	75R84132
5322	75R81152
5323	75R81172
5325	75R84152
5326	75R81262
5327	75R84172
5328	75R84182
5329	75R84192
5330	75R84212
5331	75R81282
5332	75R81592
5333	75R81302
5333S	75R82312
5334	75R81232
5335	75R81612
5336	75R81212
5339	75R81622
5345	75R81352
5347	75R84302Q
5348	75R81292
5349	75R84622
5362	75R84292

CROSS
REFERENCE

O.E.M. PART NUMBER CROSS REFERENCE

Convert Other Part Numbers to Red Dot Aftermarket Numbers

CROSS
REFERENCE

AIR SOURCE	
5363	75R84312
5365	75R81662
53655	75R89502
5366	75R89492Q
53665	75R89492
5367	75R81562
5370	75R81162
5371	75R81282
5373	75R89552
5380	75R84362
5381	75R84372
5382	75R84382
5383	75R81762
5384	75R81652
5385	75R81362
5386	75R81532
5387	75R81372
5390	75R84452
5391	75R81184
5393	75R89752
5394	75R84632
5395	75R89572Q
5396	75R89622
5397	75R89632
5398	75R89682
5400	RD-5-15526-0P
5401	75R5611
5402	75R89532
5404	75R9612
5406	75R89652
5408	75R5618
5411	75R5621
5412	75R81552
5418	75R5658
5430	75R5728
5431	75R5721
5432	75R5678
5433	75R5671
5434	75R5672
5437	75R8920
5437R	75R8921
5449	75R5668
5450	75R5661
5451	75R5718
5452	75R5711
5458	75R8909
5459	75R8910
5460	75R8918
5461	75R8916
5462	75R8919
54667	75R81502

AIR SOURCE	
5470	75R8917
54720	75R89762
5487	75R6545
5490	75R6520
5491	75R6510
5492	75R6500
5495	75R6530
5497	75R6540
5498	75R6550
5508	75R5628
5509	75R6030
5510	75R5651
5511	75R5618
5512	75R5681
5513	75R5648
5514	75R5641
5515	75R5698
5516	75R5691
5517	75R5738
5518	75R5731
5527	75R5806
5528	75R5808
5529	75R5801
5530	75R5802
5531	75R5540
5533	75R5560
5534	75R5570
5537	75R5201
5538	75R5200
5540	75R5700
5541	75R5700
5552	75R5834
5553	75R5833
5554	75R5550
5555	75R5824
5556	75R5815
5557	75R5827
5558	75R5820
5559	75R5819
5560	75R5829
5563	75R5834
5564	75R5814
5565	75R5814
5574	75R5565
5575	75R5575
5576	75R5520
5578	75R5500
5579	75R5565
5580	75R5556
5585	75R5512
5586	75R5510

AIR SOURCE	
5591	75R8505
5592	75R8515
5593	75R8520
5594	75R8510
5596	75R8507
5610	75R5102
5611	75R5104
5614	75R5114
5615	75R5122
5616	75R5124
5623	75R6010
5633	75R6000
5640	75R6040
5702	75R8442
5703	75R8312
5704	75R83112
5705	75R83132
57055	75R89662
5706	75R81482
5707	75R81502
5708	75R84482
5709	75R84492
5711	75R8612
5712	75R83152
5714	75R8322
5715	75R8372
5716	75R84512
5717	75R84532
5719	75R8252
5723	75R8632
5724	75R85734
5725	75R84552
5726	75R8432
5727	75R8422
5728	75R85332
5730	75R8332
5731	75R8354
5737	75R83172
5740	75R84522
5741	75R84562
5745	75R81452
5746	75R81462
5748	75R81512
5752	75R8424
5756	75R8614
5760	75R8542
5762	75R84662
5763	75R8532
5764	75R84492
5766	75R86152
5770	75R81252

AIR SOURCE	
5771	75R81192
5772	75R81202
5774	75R8384
5775	75R8374
5778	75R8552
5781C	75R8544
5783	75R85832
5784	75R85932
5785	75R8382
5786	75R82102
5789	75R85032
5790	75R86202
5791	75R8712
5792	75R85632
5794	75R8544
5803C	75R8644
5804	75R8644
5805D	75R8702
5811	75R8512
5831	75R9014
5863	75R8502
5874	75R8752Q
5878	75R8522
5881	75R86144
5896	75R8672Q
5899	75R8662
5903	75R8262
5909	75R8412
5914	75R8342
5919	75R8222
5920	75R81702
5922	75R8224
5923A	75R85102Q
5937	75R8272
5952	75R8394
5973	75R8294
5974	75R8214
5975	75R8232
5976	75R8234
5985	75R8292
5990	75R8282
5992	75R8352
6015	77R0250
6020	77R0650
6021	77R0150
6022	77R7702
6034	77R1100
6036	77R0950
6041	77R0800
6042	77R0100
6044	77R0660

O.E.M. PART NUMBER CROSS REFERENCE

Convert Other Part Numbers to Red Dot Aftermarket Numbers

AIR SOURCE	
6045	77R5350
6049	77R5250
6050	77R0350
6055	77R7708
6061	77R0500
6062	77R6200
6063	77R0620
6068	77R6800
6069	77R6900
6078	77R6925
6079	77R7900
6081	77R8100
6082	77R8200
6089	77R0900
6090	77R6930
6093	77R7706
6094	77R5270
6105	77R5910
6106	77R0700
6128	77R7000
6129	77R0570
6132	77R7712
6145	77R6935
6146	77R1175
6150	76R6140
6168	77R1150
6170	77R5245
6171	77R6965
6175	77R1405
6176	77R1407
6177	77R1409
6185	77R1417
6186	77R1419
6188	77R1421
6192	77R0570
6201	77R6945
6202	74R4028
6204	77R6805
6205	77R0720
6211	77R7710
6212	77R1105
6215	77R7704
6218	77R0665
6220	77R0580
6224	77R6807
6227	77R0715
6230	73R6230
6241	77R6950
6245	77R0585
6245A	77R0585
6253	77R0090

AIR SOURCE	
6271	77R0110
6273	77R6950
6275	77R0705
6282	77R6951
6284	77R6985
6286	77R6955
6287	77R6977
6288	77R0355
6289	77R7714
6290	77R6995
6291	77R8320
6292	77R1335
6297	77R6978
6299	77R0635
6300	77R0095
6302	77R1295
6304	77R1295
6306	77R1280
6308	77R1290
6310	77R1300
6312	77R1310
6319	77R1277
6323	77R8365
6324	77R1275
6325	77R1285
6326	77R1330
6327	77R8345
6331	77R7715
6350	77R8350
6352	77R1335
6358	77R8325
6359	77R8305
6360	77R8310
6361	77R6982
6368	77R0115
6372	77R7705
6375	77R1277
6378	77R0675
6379	77R1277
6380	77R1279
6410	77R1612
6421	77R1604
6425	77R1502
6426	77R1504
6503	76R5000
6504	76R5600
6505	76R6960
6507	76R6350
6510	76R7507
6514	76R7505
6519	76R6120

AIR SOURCE	
6524	76R7070
6529	76R6000
6530	76R7400
6537	76R7520
6539	76R5500
6540	76R6015
6545	79R4655
6549	76R6810
6556	76R6700
6567	76R6310
6575	76R7500
6580	76R6180
6581	76R6150
6582	76R6300
6586	76R6850
6590	76R7050
6592	76R7100
6595	76R7010
6596	76R7510
6597	76R6110
6598	76R6950
6607	76R6810
6609	76R7712
6630	76R7040
6632	76R6040
6653	76R7530
6654	76R6130
6667	76R7745
6670	76R7750
6674	76R6070
6675	76R4920
6676	76R4900
6677	76R5300
6678	76R7535
6679	76R7730
6801	76R3450
6802	76R2350
6803	76R4000
6805	76R2700
6806	76R2600
6807	76R2210
6808	76R2340
6809	76R3250
6810	76R3460
6811	76R3400
6813	76R2400
6814	76R3300
6816	76R2220
6817	76R2320
6820	76R3900
6821	76R3930

AIR SOURCE	
6840	76R3475
6904	76R2155
6931	76R2010
6933	76R2420
6934	76R2450
6944	76R3910
6948	76R6020
6953	76R1000
6954	76R0500
6955	76R1510
6956	76R4023
6960	76R3495
7117	74R0906
7123	74R2546
7124	74R2406
7125	74R2556
7126	74R2536
7127	74R2586
7128	74R2596
7129	74R2526
7130	74R3450
7132	74R2306
7133	74R2606
7134	74R2106
7135	74R2667
7137	74R3056
7138	74R3066
7140	74R0450
7141	74R2706
7143	74R2676
7145	74R0470
7154	74R2106
7155	74R1856
7156	74R1756
7157	74R1956
7159	74R3107
7160	74R3330
7161	74R2616
7163	74R3309
7164	74R3347
7165	74R3322
7166	74R3077
7168	74R3310
7169	74R3327
7174	74R1436
7175	74R3306
7185	74R1406
7189	74R3316
7190	74R3316
7191	74R3140
7193	74R3376

CROSS REFERENCE

O.E.M. PART NUMBER CROSS REFERENCE

Convert Other Part Numbers to Red Dot Aftermarket Numbers

CROSS REFERENCE

AIR SOURCE	
7197	74R3126
7198	74R3129
7199	74R3313
7211	74R4016
7228	74R4016
7230	74R3455
7231	74R3476
7233	74R4116
7234	74R3536
7235	74R3506
7236	74R3526
7243	74R0400
7346	74R3140
7383	74R5055
7385	74R5093
7387	74R3356
7388	74R1706
7389	74R1806
7390	74R1906
7391	74R3516
7392	74R4206
7393	74R2002
7395	74R4026
7400	74R0475
7401	74R5600
7406	74R5050
7408	74R5060
7409	74R5050
7415	74R5097
7416	74R5401
7417	74R5405
7421	74R5088
7422	74R5088
7454	74R5063
7471	74R7220
7473	74R7210
7478	74R5065
7480	74R1106
7482	74R5067
7483	74R5085
7485	74R5073
7486	74R5075
7487	74R5077
7488	74R5079
7489	74R5081
7490	74R5083
7494	74R5087
7495	74R5079
7496	74R5089
7498	74R5091
7502	74R0460

AIR SOURCE	
7541	74R0480
7555	74R2590
7559	74R4210
7560	74R0455
7565	74R4006
7585	74R4028
7955	78R5440
7960	78R5241
7973	78R5235
7975	78R5430
7979	RD-5-12354-0P
7981	78R5239
7981G	78R5239
7984	78R5430
7986	78R5305M
7987	78R5308
7989	78R5302
7990	78R5306M
7996	78R5420
7997	78R5435
7998	78R5237
7999	78R5246
8040082P	71R6415
8040088P	71R6410
8040135P	71R6400
8040136P	71R6405
8040177P	71R6582
8040178P	71R6584
804239P	71R6426
8100	79R4600
8101	79R4605
8202	79R4561
8203	79R4562
8204	79R4563
8207	79R4587
8240	79R4550
8248	79R4580
8256	79R4700
8420EZ	79R8915
8449	79R3595
8458	79R3593
8463EA	79R5030
8506	78R0456
8508	78R0458
8510	78R0451
8512	78R0452
8514	78R9456
8515	78R9458
8516	78R9451
8517	78R9452
8520	78R0200

AIR SOURCE	
8521	78R0250
8522	78R0300
8523	78R0350
8528	78R0070
8532	72R9020
8533	72R9010
8540	70R5200
8550	72R4500
8551	72R4510
8555	72R4400
8570	78R8451
8572	78R8452
8576	78R8456
8578	78R8458
8606	78R0456SP
8608	78R0458SP
8610	78R0451SP
8612	78R0452SP
8618	78R9461
8656	78R0456SPD
8658	78R0458SPD
8660	78R0451SPD
8662	78R0452SPD
8670	78R8451SP
8672	78R8452SP
8676	78R8456SP
8712	79R4040
8721	79R4005
8730	79R8930
8734	79R1255
8740	79R1710
8760	79R3145
8760EZ	79R8920
8761	79R3147
8764	79R3125
8765	79R3127
8777	79R6020
8779	79R6050
8790	79R3173
8791	79R3171
8792	79R3175
8793	79R3163
8794	79R3161
8795	79R3165
8800	78R0100
8811	79R4650
8812A	79R4655
8830	79R6060
8835	79R6061
8836	79R6063
8837	79R6065

AIR SOURCE	
8904	79R0109
8912R	79R3178
8913R	79R3179
8915	70R5110
8919	79R1650
8925	70R5120
8926	70R5125
8930	79R1660
8988	70R5000
8990	79R4400
8995	79R8950
9010	77R9010
9115	75R9530
9116	75R9100
9117	75R9980
9118	75R9540
9120	75R9500
9121	75R9730
9122	75R9515
9129	75R9180
9132	75R9670
9712	R-7830-0P
9718	R-6100-0P
9721	R-2000-6P
9723	R-8230-0P
9724	R-7830-0-24P
9725	R-8820-2P
9726	R-8820-1P
9729	R-8235-0P
9731	R-9727-1P
9732	R-9727-1-24P
9733	R-9755-0P
9734	R-9755-0-24P
9739	R-8500-0P
9740	R-8500-0-24P
9741	R-8500-1P
9742	R-8500-1-24P
9745	R-8545-1P
9746	R-8545-1-24P
9800	R-254-0P
9801	R-254-0-24P
9805	R-255-0P
9806	R-255-0-24P
9850	78R1025
9911	78R5310
9914	78R5310
9916	78R5320
9917	78R5350
9925	78R5000
9926	78R5100
9927	78R5110

O.E.M. PART NUMBER CROSS REFERENCE

Convert Other Part Numbers to Red Dot Aftermarket Numbers

AIR SOURCE	
9928	78R5200
9929	78R5210
9930	78R5300
9932	73R9202
9933	73R9204
9937	78R5240
9938	RD-2-1017-0P
9939	78R5253
9940	78R5400
9941	78R5375
9942	78R5318
9943	78R5315
9944	78R5250
9945	78R5245
9947	78R5313
9948	78R5301
9949	78R5243
9950	78R5304
9951	78R5370
10-0001	RD-2-1398-0P
10-0002	78R5390
10-0005	72R4534
10-0006	72R4535
10-0007	RD-2-3693-0P
10-0010	RD-3-4784-0P
10-0011	RD-3-10112-0P
10-0012	RD-3-10111-0P
10-0013	RD-3-10597-0P
10-0017	72R4538
10-0026	78R5100
10-0029	RD-11-0155-0P
10-0032	73R9202
10-0033	73R9204
10-0036	RD-5-5982-1P
10-0037	RD-3-7646-0P
10-0038	71R5102
10-0039	71R5112
10-0041	RD-4-4529-1P
10-0042	RD-5-4718-0P
10-0043	RD-2-1302-0P
10-0045	RD-3-6767-1P
10-0050	RD-3-5790-0P
10-0055	RD-5-4031-0P
10-0060	RD-5-6423-0P
10-0062	RD-3-4812-0P
10-0065	RD-4-3669-0P
10-0066	77R9020
10-0068	RD-4-4548-1P
10-0069	RD-9-7241-0P
10-0072	RD-5-4743-0P
10-0073	RD-5-4722-1P

AIR SOURCE	
10-0082	78R5500
10-0086	78R5006
10-0090	RD-2-3673-0P
10-0091	RD-2-3515-0P
10-0092	78R5291
10-0502	72R4533
10-0520	RD-1-1654-0P
10-9153	R-10044-3P
10-9154	R-10044-4P
10-9155	R-10044-5P
10-9160	R-10045-0P
10-9165	R-10046-0P
10-9168	R-10047-0P
10-9210	R-10151-0P
10-9211	R-10151-1P
10-9220	R-10170-0P
10-9233	R-10235-3P
10-9234	R-10235-4P
10-9275	R-8235-0P
10-9350	R-9720-3P
10-9351	R-9720-3-24P
10-9365	R-9725-1P
10-9366	R-9725-1-24P
10-9375	R-9730-0P
10-9376	R-9730-0-24P
10-9385	R-6160-0P
10-9386	R-6160-0-24P
10-9395	R-6260-1P
10-9396	R-6260-1-24P
10-9398	R-4500-8P
10-9399	R-4500-8-24P
10-9400	R-2100-0P
10-9401	R-2100-0-24P
10-9402	R-2100-2P
10-9403	R-2100-2-24P
10-9410	R-9715-3P
10-9411	R-9715-3-24P
10-9420	R-5045-2P
10-9421	R-5045-2-24P
10-9422	R-5045-3P
10-9423	R-5045-3-24P
10-9430	R-5040-0P
10-9431	R-5040-2P
10-9432	R-5040-4P
10-9433	R-5040-6P
10-9440	R-8600-0P
10-9450	R-5075-0P
10-9451	R-5075-0-24P
10-9471	R-1620-1-24P
10-9475	R-9520-1-24P
10-9476	R-9520-0P

AIR SOURCE	
10-9477	R-9520-0-24P
10-9478	R-9520-1P
10-9481	R-4122-0-24P
10-9482	R-4122-1P
10-9610	R-9757-0P
10-9611	R-9757-0-24P
10-9620	R-9800-0P
10-9621	R-9800-0-24P
10-9710	R-6830-0P
10-9711	R-6830-0-24P
10-9718	R-6100-0P
10-9719	R-6100-0-24P
10-9721	R-2000-6P
10-9722	R-2000-6-24P
10-9723	R-8230-0P
10-9724	R-7830-0-24P
10-9725	R-8820-2P
10-9726	R-8820-1P
10-9729	R-8725-0P
10-9731	R-9727-1P
10-9732	R-9727-1-24P
10-9733	R-9755-0P
10-9734	R-9755-0-24P
10-9735	R-9750-9P
10-9736	R-9750-9-24P
10-9737	R-9750-10P
10-9738	R-9750-10-24P
10-9739	R-8500-0P
10-9740	R-8500-0-24P
10-9741	R-8500-1P
10-9742	R-8500-1-24P
10-9745	R-8545-9P
10-9746	R-8545-1-24P
10-9777	R-9777-0P
10-9778	R-9777-0-24P
10-9779	R-9777-1P
10-9780	R-9777-1-24P
10-9800	R-254-0P
10-9801	R-254-0-24P
10-9802	R-254-1P
10-9803	R-254-4P
10-9805	R-255-0P
10-9806	R-255-0-24P
10-9807	R-255-1P
10-9808	R-255-4P
10-9809	R-256-0P
10-9830	R-290-0P
10-9831	R-290-0-24P
10-9832	R-290-1P
10-9833	R-290-1-24P
10-9834	R-290-4P

AIR SOURCE	
10-9835	R-290-4-24P
10-9840	R-295-0P
10-9841	R-295-0-24P
10-9842	R-295-4P
10-9860	R-6130-1P
10-9861	R-6130-0P
10-9865	R-4013HP
10-9866	R-4013H-24P
10-9868	R-2020-0P
10-9869	R-2020-0-24P
109870	R-3500-1P
10-9870	R-3500-1P
10-9872	R-3540-2P
10-9880	R-280-0P
10-9890	R-270-0P
10-9891	R-270-0-24P
10-9911	78R5310
10-9912	78R5360
10-9914	78R5330
10-9917	78R5350
10-9918	78R5150
10-9925	78R5000
10-9928	78R5200
10-9929	78R5210
10-9935	78R5340
10-9936	78R5110

CROSS REFERENCE

O.E.M. PART NUMBER CROSS REFERENCE

Convert Other Part Numbers to Red Dot Aftermarket Numbers

CROSS
REFERENCE

ALLIANCE	
22-58414-000	75R81622Q
ABP N83 03063T	75R1302
ABP N83 03097T	75R0612
ABP N83 03107T	75R0512
ABP N83 03113T	75R0502
ABP N83 03117T	75R0662
ABP N83 03123T	75R0682
ABP N83 03531T	75R0402
ABP N83 04061T	75R7290
ABP N83 04071T	75R7300
ABP N83 04081T	75R7280
ABP N83 04101T	75R7312
ABP N83 04141T	75R7322
ABP N83 04201T	75R7332
ABP N83 10300C	70R8621
ABP N83 10310C	70R8681
ABP N83 10340C	70R8881
ABP N83 10346C	70R8886
ABP N83 10348C	70R8888
ABP N83 10350C	70R8891
ABP N83 10360C	70R8591
ABP N83 10362C	70R8696
ABP N83 10364C	70R8648
ABP N83 10366C	70R8691
ABP N83 10784C	70R82511
ABP N83 11907C	70R8558
ABP N83 11926C	70R8556
ABP N83 11931C	70R8551
ABP N83 11951C	70R8201
ABP N83 11952C	70R8511
ABP N83 11954C	70R8511
ABP N83 11956C	70R8206
ABP N83 11958C	70R8208
ABP N83 11962C	70R8288
ABP N83 11964C	70R8281
ABP N83 11971C	70R8346
ABP N83 11972C	70R8282
ABP N83 11978C	70R8688
ABP N83 11988C	70R8341
ABP N83 128718	78R5007
ABP N83 26008T	79R4595
ABP N83 301001	73R0422
ABP N83 301005	73R2152
ABP N83 301006	RD-5-8705-0P
ABP N83 301011	73R1012
ABP N83 301015	73R2102
ABP N83 301016	73R8582
ABP N83 301017	73R3002
ABP N83 301018	73R3002
ABP N83 301020	73R3072
ABP N83 301021	73R0522

ALLIANCE	
ABP N83 301022	73R4062
ABP N83 301023	73R0232
ABP N83 301024	73R3082
ABP N83 301025	73R2102
ABP N83 301027	73R0232
ABP N83 301028	73R0332
ABP N83 301031	73R0532
ABP N83 301033	73R0152
ABP N83 301034	73R0654
ABP N83 301036	73R1064
ABP N83 301038	73R0474
ABP N83 301040	73R0414
ABP N83 301042	73R4162
ABP N83 301043	73R0332
ABP N83 301047	73R3002
ABP N83 301051	73R0552
ABP N83 301052	73R4602
ABP N83 301055	73R2212
ABP N83 301057	73R3002
ABP N83 301062	73R4204
ABP N83 301063	73R0072
ABP N83 301065	73R3082
ABP N83 301067	RD-5-4387-0P
ABP N83 301071	73R0422
ABP N83 301072	73R4182
ABP N83 301073	73R0612
ABP N83 301079	RD-3-3949-0P
ABP N83 301081	73R2262
ABP N83 301089	73R0542
ABP N83 301091	73R0602
ABP N83 301097	73R0532
ABP N83 301101	73R0442
ABP N83 301102	73R4532
ABP N83 301105	73R4182
ABP N83 301106	73R4182
ABP N83 301109	73R4252
ABP N83 301115	73R2112
ABP N83 301121	73R0432
ABP N83 301125	73R2132
ABP N83 301129	73R4424
ABP N83 301131	73R0602
ABP N83 301135	73R2142
ABP N83 301136	73R2132
ABP N83 301137	73R3062
ABP N83 301139	73R4264
ABP N83 301141	73R0232
ABP N83 301142	73R4254
ABP N83 301145	73R2122
ABP N83 301147	73R5562
ABP N83 301149	73R0984
ABP N83 301151	73R0152

ALLIANCE	
ABP N83 301152	73R4104
ABP N83 301155	73R2152
ABP N83 301157	RD-5-9003-0P
ABP N83 301161	73R0022
ABP N83 301162	73R4102
ABP N83 301165	73R2152
ABP N83 301167	73R8592
ABP N83 301171	73R0102
ABP N83 301175	73R2242
ABP N83 301177	RD-5-8759-0P
ABP N83 301182	73R4202
ABP N83 301191	73R0152
ABP N83 301199	RD-1-0365-0P
ABP N83 301201	73R0432
ABP N83 301202	73R4182
ABP N83 301205	73R2212
ABP N83 301209	RD-4101-6P
ABP N83 301211	73R0454
ABP N83 301219	RD-4101-8P
ABP N83 301221	73R0204
ABP N83 301222	73R4312
ABP N83 301227	73R9202
ABP N83 301228	73R9204
ABP N83 301232	73R4252
ABP N83 301236	78R5259
ABP N83 301237	73R5562
ABP N83 301239	RD-1-0358-0P
ABP N83 301247	73R5592
ABP N83 301252	73R4532
ABP N83 301255	73R2282
ABP N83 301261	73R0912
ABP N83 301262	73R3032
ABP N83 301265	73R2272
ABP N83 301269	71R3575
ABP N83 301271	73R0702
ABP N83 301272	73R2262
ABP N83 301275	73R2262
ABP N83 301276	73R2212
ABP N83 301279	RD-3-4058-0P
ABP N83 30127T	75R0522
ABP N83 301281	73R1052
ABP N83 301282	73R4182
ABP N83 301289	RD-3-4066-0P
ABP N83 301291	73R0522
ABP N83 301302	73R4322
ABP N83 301304	73R3132
ABP N83 301307	73R3002
ABP N83 301308	73R3002
ABP N83 301309	73R0232
ABP N83 301311	73R0104
ABP N83 301317	73R3062

ALLIANCE	
ABP N83 301319	RD-4101-4P
ABP N83 301321	73R0454
ABP N83 301322	73R4322
ABP N83 301327	73R3022
ABP N83 301331	73R0404
ABP N83 301332	73R4312
ABP N83 301341	73R0364
ABP N83 301342	73R4242
ABP N83 301352	73R4122
ABP N83 301361	73R0662
ABP N83 301368	73R4424
ABP N83 301370	73R4504
ABP N83 301381	73R0522
ABP N83 301411	73R0322
ABP N83 301419	71R3571
ABP N83 301421	73R0512
ABP N83 301429	71R3573
ABP N83 301431	73R0062
ABP N83 301432	74R3070
ABP N83 301439	71R3576
ABP N83 301449	71R3578
ABP N83 301459	71R3577
ABP N83 301461	73R0222
ABP N83 301481	73R2142
ABP N83 301483	75R81162
ABP N83 301501	73R2212
ABP N83 301521	73R0462
ABP N83 301527	73R3022
ABP N83 301537	73R5622
ABP N83 301541	73R0522
ABP N83 301547	RD-3-7382-1P
ABP N83 301561	73R0352
ABP N83 301567	73R5624
ABP N83 301571	73R1052
ABP N83 301581	73R3032
ABP N83 301601	73R0022
ABP N83 301651	73R0012
ABP N83 301741	73R0962
ABP N83 301751	RD-5-5435-24P
ABP N83 301761	73R0402
ABP N83 301771	73R0222
ABP N83 301781	73R2102
ABP N83 301791	73R0604
ABP N83 301801	73R0514
ABP N83 301831	RD-5-7607-0P
ABP N83 301861	RD-5-7575-2P
ABP N83 301871	73R0652
ABP N83 301877	73R0652
ABP N83 301881	73R0142
ABP N83 301884	73R0992
ABP N83 301885	73R2162

O.E.M. PART NUMBER CROSS REFERENCE

Convert Other Part Numbers to Red Dot Aftermarket Numbers

ALLIANCE	
ABP N83 301886	73R3112
ABP N83 301891	73R3022
ABP N83 301901	73R0082
ABP N83 301907	73R8702
ABP N83 301911	73R0642
ABP N83 301931	73R0092
ABP N83 301937	73R5552
ABP N83 301941	73R0152
ABP N83 301951	73R0402
ABP N83 301957	73R8592
ABP N83 301959	73R8662
ABP N83 301961	73R0702
ABP N83 301967	73R8674
ABP N83 301969	73R8664
ABP N83 301971	73R3032
ABP N83 301981	73R0222
ABP N83 301987	73R0412
ABP N83 301991	73R2152
ABP N83 302004	RD-5-4624-1P
ABP N83 302006	73R7215
ABP N83 302007	73R6253
ABP N83 302111	73R6251
ABP N83 302172	73R7201
ABP N83 302182	73R7202
ABP N83 302190	71R1702
ABP N83 302222	73R7130
ABP N83 302291	73R6253
ABP N83 302311	73R6391
ABP N83 302321	73R7135
ABP N83 303001	RD-5-9660-0P
ABP N83 303002	75R1802
ABP N83 303003	75R0194
ABP N83 303007	75R0612
ABP N83 303010	75R1432
ABP N83 303011	75R3002
ABP N83 303012	75R4502
ABP N83 303017	75R0662
ABP N83 303020	75R1512
ABP N83 303021	75R4652
ABP N83 303022	75R0452
ABP N83 303030	75R1522
ABP N83 303037	75R0042
ABP N83 303041	75R0152
ABP N83 303042	75R4734
ABP N83 303047	75R1432
ABP N83 303051	75R0302
ABP N83 303052	75R0452
ABP N83 303057	75R4792
ABP N83 303062	RD-5-9677-0P
ABP N83 303071	75R1652
ABP N83 303072	75R0612

ALLIANCE	
ABP N83 303081	75R2702
ABP N83 303082	75R1202
ABP N83 303087	75R1432
ABP N83 303091	75R2702
ABP N83 303092	RD-5-9662-0P
ABP N83 303097	75R0612
ABP N83 303102	75R3452
ABP N83 303117	75R0662
ABP N83 303122	75R0202
ABP N83 303132	RD-5-9667-0P
ABP N83 303142	75R1222
ABP N83 303151	75R2402
ABP N83 303157	75R1432
ABP N83 303167	75R0502
ABP N83 303171	75R3602
ABP N83 303172	75R0232
ABP N83 303177	75R0682
ABP N83 303187	75R0522
ABP N83 303191	75R4352
ABP N83 303202	75R0252
ABP N83 303207	75R0052
ABP N83 303211	75R4052
ABP N83 303221	75R0402
ABP N83 303231	75R4772
ABP N83 303232	75R0192
ABP N83 303236	75R0092
ABP N83 303237	75R4752
ABP N83 303242	75R1542
ABP N83 303247	75R4762
ABP N83 303251	75R1412
ABP N83 303252	75R0452
ABP N83 303257	75R0032
ABP N83 303261	75R0182
ABP N83 303262	75R1832
ABP N83 303267	75R4812
ABP N83 303271	75R1412
ABP N83 303272	75R81702
ABP N83 303277	75R0502
ABP N83 303281	75R1342
ABP N83 303282	75R0202
ABP N83 303287	75R0512
ABP N83 303292	75R3454
ABP N83 303297	75R0522
ABP N83 303301	75R1402
ABP N83 303302	75R0204
ABP N83 303307	75R0662
ABP N83 303311	75R3602
ABP N83 303312	75R1512
ABP N83 303317	75R0682
ABP N83 303322	75R0452
ABP N83 303327	75R1432

ALLIANCE	
ABP N83 303337	75R4702
ABP N83 303341	75R0402
ABP N83 303342	75R3454
ABP N83 303347	75R4792
ABP N83 303351	75R1342
ABP N83 303352	75R1522
ABP N83 303357	75R0062
ABP N83 303362	75R1542
ABP N83 303367	75R0082
ABP N83 303371	75R1412
ABP N83 303372	75R0192
ABP N83 303377	75R0092
ABP N83 303387	75R1842
ABP N83 303397	75R1842
ABP N83 303401	75R2552
ABP N83 303402	75R0192
ABP N83 303412	75R1522
ABP N83 303417	75R0274
ABP N83 303421	75R1512
ABP N83 303422	75R1532
ABP N83 303427	75R1414
ABP N83 303431	75R1342
ABP N83 303432	75R3452
ABP N83 303441	75R1352
ABP N83 303442	75R4782
ABP N83 303452	75R0252
ABP N83 303462	75R0262
ABP N83 303472	75R0222
ABP N83 303482	75R1832
ABP N83 303491	75R1402
ABP N83 303492	75R1832
ABP N83 303511	75R1404
ABP N83 303522	75R0202
ABP N83 303532	75R1222
ABP N83 303541	75R0202
ABP N83 303551	75R4732
ABP N83 303561	75R0182
ABP N83 303571	75R1412
ABP N83 303581	75R1872
ABP N83 303608	75R1402
ABP N83 303610	75R1862
ABP N83 303701	75R4722
ABP N83 303707	75R4702
ABP N83 303711	75R4732
ABP N83 303712	75R0172
ABP N83 303717	75R4742
ABP N83 303727	75R4752
ABP N83 303737	75R4762
ABP N83 304002	75R8342
ABP N83 304003	75R81302
ABP N83 304004	75R89302

ALLIANCE	
ABP N83 304005	RD-5-8638-1P
ABP N83 304006	75R83112
ABP N83 304007	75R8916
ABP N83 304008	75R8102
ABP N83 304009	75R8522
ABP N83 304013	75R81232
ABP N83 304014	75R89352
ABP N83 304015	75R8632
ABP N83 304016	75R83132
ABP N83 304017	75R8917
ABP N83 304019	75R8512
ABP N83 304023	75R81212
ABP N83 304024	75R89354
ABP N83 304025	75R8612
ABP N83 304027	75R8906
ABP N83 304029	75R8502
ABP N83 304031	75R7290
ABP N83 304032	75R8322
ABP N83 304034	75R89372
ABP N83 304035	75R8614
ABP N83 304037	75R8907
ABP N83 304039	75R8532
ABP N83 304042	75R8442
ABP N83 304043	75R84132
ABP N83 304044	75R89374
ABP N83 304045	75R85734
ABP N83 304049	75R8442
ABP N83 304051	75R7312
ABP N83 304052	75R81472
ABP N83 304053	75R84152
ABP N83 304054	75R89392
ABP N83 304055	75R84522
ABP N83 304057	75R8918
ABP N83 304059	75R8552
ABP N83 304062	75R81472
ABP N83 304063	75R81262
ABP N83 304064	75R89422
ABP N83 304065	75R8394
ABP N83 304067	75R8906
ABP N83 304069	75R8612
ABP N83 304071	75R7300
ABP N83 304073	75R84172
ABP N83 304074	75R89424
ABP N83 304081	75R7280
ABP N83 304083	75R84182
ABP N83 304089	75R8512
ABP N83 304092	75R8292
ABP N83 304093	75R84192
ABP N83 304094	75R89462
ABP N83 304095	75R81582
ABP N83 304099	75R8522

CROSS
REFERENCE

O.E.M. PART NUMBER CROSS REFERENCE

Convert Other Part Numbers to Red Dot Aftermarket Numbers

CROSS
REFERENCE

ALLIANCE	
ABP N83 304101	75R7312
ABP N83 304102	75R81472
ABP N83 304103	75R84212
ABP N83 304104	75R89474
ABP N83 304105	75R8424
ABP N83 304112	75R8232
ABP N83 304113	75R81282
ABP N83 304114	75R89484
ABP N83 304115	75R8184
ABP N83 304122	75R8384
ABP N83 304123	75R84252
ABP N83 304125	75R8422
ABP N83 304129	75R8712
ABP N83 304131	75R7290
ABP N83 304132	75R8372
ABP N83 304133	75R81212
ABP N83 304134	75R89322
ABP N83 304141	75R7322
ABP N83 304142	75R8374
ABP N83 304144	75R89344
ABP N83 304147	75R8919
ABP N83 304149	75R8632
ABP N83 304152	75R8272
ABP N83 304154	75R89362
ABP N83 304155	75R8932
ABP N83 304158	75R9082
ABP N83 304159	RD-5-9609-7P
ABP N83 304162	75R8214
ABP N83 304163	75R84292
ABP N83 304164	75R89382
ABP N83 304167	75R8909
ABP N83 304171	75R7280
ABP N83 304172	75R8234
ABP N83 304173	75R84312
ABP N83 304174	75R89384
ABP N83 304177	75R8910
ABP N83 304182	75R8342
ABP N83 304183	75R81162
ABP N83 304184	75R89414
ABP N83 304187	75R81502
ABP N83 304192	75R8352
ABP N83 304193	75R84362
ABP N83 304194	75R89364
ABP N83 304201	75R7332
ABP N83 304202	75R81702
ABP N83 304203	75R84372
ABP N83 304204	75R89332
ABP N83 304212	75R8232
ABP N83 304213	75R84382
ABP N83 304214	75R89412

ALLIANCE	
ABP N83 304222	75R8292
ABP N83 304224	75R89314
ABP N83 304232	75R8214
ABP N83 304234	75R89292
ABP N83 304239	75R8542
ABP N83 304241	75R81622
ABP N83 304241Q	75R81622Q
ABP N83 304243	75R84382
ABP N83 304244	75R89394
ABP N83 304252	75R8412
ABP N83 304253	75R84452
ABP N83 304263	75R81502
ABP N83 304264	75R81334
ABP N83 304272	75R81702
ABP N83 304273	75R84482
ABP N83 304274	75R81462
ABP N83 304282	75R8292
ABP N83 304283	75R8422
ABP N83 304284	75R81512
ABP N83 304292	75R8222
ABP N83 304293	75R84512
ABP N83 304302	75R8224
ABP N83 304303	75R84532
ABP N83 304304	75R84662
ABP N83 304313	75R84552
ABP N83 304314Q	75R81292Q
ABP N83 304319Q	75R84302Q
ABP N83 304323	75R84562
ABP N83 304332	75R81702
ABP N83 304333	75R81452
ABP N83 304334	75R81432
ABP N83 304343	75R81512
ABP N83 304344	75R81482
ABP N83 304353	75R84594
ABP N83 304354	75R81334
ABP N83 304362	75R8332
ABP N83 304363	75R84492
ABP N83 304364	75R81412
ABP N83 304372	75R81582
ABP N83 304374	75R81104
ABP N83 304382	75R8422
ABP N83 304383	75R81192
ABP N83 304394	75R81562
ABP N83 304402	75R8222
ABP N83 304403	75R84622
ABP N83 304409	75R85332
ABP N83 304412	75R8252
ABP N83 304413	75R82142
ABP N83 304414	75R81712
ABP N83 304419	75R85632

ALLIANCE	
ABP N83 304422	75R8312
ABP N83 304424	75R81352
ABP N83 304429	75R85734
ABP N83 304432	75R81762
ABP N83 304434	75R81152
ABP N83 304435	75R89662
ABP N83 304436	75R89672
ABP N83 304437	75R89682
ABP N83 304438	75R89692
ABP N83 304439	75R86092
ABP N83 304442	75R8722
ABP N83 304443	75R8354
ABP N83 304444	75R81162
ABP N83 304445	75R89702
ABP N83 304446	75R89712
ABP N83 304447	75R89722
ABP N83 304448	75R89732
ABP N83 304449	75R85832
ABP N83 304451	75R7290
ABP N83 304452	75R84492
ABP N83 304454	75R81172
ABP N83 304455	75R89622
ABP N83 304456	75R89632
ABP N83 304457	75R89642
ABP N83 304458	75R89652
ABP N83 304459	75R85932
ABP N83 304461	75R7290
ABP N83 304464	75R81202
ABP N83 304465	75R89744
ABP N83 304466	75R89742
ABP N83 304469	75R86134
ABP N83 304471	75R7290
ABP N83 304472	75R81512
ABP N83 304474	75R81192
ABP N83 304479	75R86152
ABP N83 304481	75R7280
ABP N83 304482	75R84152
ABP N83 304484	75R81152
ABP N83 304489	75R86162
ABP N83 304492	75R81262
ABP N83 304495	75R1842
ABP N83 304499	75R86172
ABP N83 304502	75R84172
ABP N83 304503	75R84632
ABP N83 304504	75R81114
ABP N83 304509	75R86182
ABP N83 304512	75R84182
ABP N83 304513	75R81162
ABP N83 304514	75R81402
ABP N83 304522	75R84192

ALLIANCE	
ABP N83 304523	75R81152
ABP N83 304524	75R81532
ABP N83 304529	75R8552
ABP N83 304532	75R84212
ABP N83 304533	75R81172
ABP N83 304534	75R81762
ABP N83 304539	75R85832
ABP N83 304542	75R81352
ABP N83 304543	75R81302
ABP N83 304543Q	75R82312Q
ABP N83 304544	75R81134
ABP N83 304549	75R86092
ABP N83 304553	75R84232
ABP N83 304559	75R85032
ABP N83 304562	75R81482
ABP N83 304563	75R81262
ABP N83 304572	75R81462
ABP N83 304573	75R81232
ABP N83 304574	75R81652
ABP N83 304574Q	75R81652Q
ABP N83 304582	75R89334
ABP N83 304584	75R89312
ABP N83 304593	75R81212
ABP N83 304594	75R81582
ABP N83 304595	75R81452
ABP N83 304596	75R81502
ABP N83 304604	74R1106
ABP N83 304609	75R8672Q
ABP N83 304614	75R81592
ABP N83 304619	75R8662
ABP N83 304622	75R82102
ABP N83 304624	75R81372
ABP N83 304629	75R85832
ABP N83 304632	75R82112
ABP N83 304634	75R8722
ABP N83 304639	75R8722
ABP N83 304642	75R82132
ABP N83 304649	75R8732
ABP N83 304652	75R83112
ABP N83 304654	75R81672
ABP N83 304659	75R8742
ABP N83 304662	75R82104
ABP N83 304664	75R89474
ABP N83 304669	75R8752
ABP N83 304671	75R8394
ABP N83 304672	75R83132
ABP N83 304674	75R81692
ABP N83 304675	75R89612
ABP N83 304676Q	75R89624Q
ABP N83 304682	75R83152

O.E.M. PART NUMBER CROSS REFERENCE

Convert Other Part Numbers to Red Dot Aftermarket Numbers

ALLIANCE	
ABP N83 304684	75R81712
ABP N83 304721	75R81274
ABP N83 304724	75R81432
ABP N83 304732	75R81192
ABP N83 304739	75R86202
ABP N83 304743	75R86144
ABP N83 304746	75R7342
ABP N83 304747	75R7352
ABP N83 304752	75R81172
ABP N83 304753	75R81392
ABP N83 304759	75R86202
ABP N83 304762	75R81582
ABP N83 304772	75R81282
ABP N83 304773	75R81252
ABP N83 304774	75R89602
ABP N83 304779	75R8544
ABP N83 304783	75R81302
ABP N83 304789	75R8644
ABP N83 304793	75R81282
ABP N83 304802	75R81252
ABP N83 304803	75R81212
ABP N83 304812	75R8292
ABP N83 304813	75R81232
ABP N83 304823	75R81262
ABP N83 304833	75R81382
ABP N83 304843	75R81462
ABP N83 304853	75R81472
ABP N83 304873	75R81512
ABP N83 304883	75R8332
ABP N83 304893	75R81352
ABP N83 304903	75R81232
ABP N83 304905	75R9004
ABP N83 304906	75R9014
ABP N83 304907	75R9024
ABP N83 304908	75R9034
ABP N83 304909	75R9044
ABP N83 304910	75R9052
ABP N83 304911	75R9062
ABP N83 304912	75R8464
ABP N83 304913	75R81612
ABP N83 304914	75R9072
ABP N83 304915	75R9082
ABP N83 304922	75R8442
ABP N83 304942	75R81252
ABP N83 304952	75R81202
ABP N83 304953	75R81452
ABP N83 304972	75R83172
ABP N83 304973	75R81502
ABP N83 304983	75R81732
ABP N83 304992	75R84112
ABP N83 305000	75R5550

ALLIANCE	
ABP N83 305003	75R5112
ABP N83 305005	75R5005
ABP N83 305009	75R8920
ABP N83 305010	75R5520
ABP N83 305013	75R5122
ABP N83 305015	75R6000
ABP N83 305017	75R8921
ABP N83 305019	75R5525
ABP N83 305020	75R6010
ABP N83 305023	75R5124
ABP N83 305025	75R5102
ABP N83 305027	75R5007
ABP N83 305030	75R5104
ABP N83 305031	75R8920
ABP N83 305032	75R8921
ABP N83 305033	75R8252
ABP N83 305035	75R5006
ABP N83 305045	79R3000
ABP N83 305050	75R5500
ABP N83 305055	75R5700
ABP N83 305060	75R9500
ABP N83 305065	75R5611
ABP N83 305070	75R5601
ABP N83 305075	75R5618
ABP N83 305080	75R5611
ABP N83 305085	75R5628
ABP N83 305090	70R2072
ABP N83 305095	75R5651
ABP N83 305100	75R5651
ABP N83 305105	75R5658
ABP N83 305115	75R5711
ABP N83 305125	75R5718
ABP N83 305190	75R5628
ABP N83 305195	75R5621
ABP N83 305205	75R5611
ABP N83 305225	75R5718
ABP N83 305227	75R5678
ABP N83 305228	75R9838
ABP N83 305228C	75R75218
ABP N83 305230	75R5711
ABP N83 305232	75R9832
ABP N83 305232C	75R75212
ABP N83 305242	75R9858
ABP N83 305242C	75R75228
ABP N83 305245	75R5658
ABP N83 305250	75R5621
ABP N83 305252	75R9852
ABP N83 305252C	75R75222
ABP N83 305256C	75R75201
ABP N83 305262	75R9678
ABP N83 305262C	75R75208

ALLIANCE	
ABP N83 305272	75R9672
ABP N83 305272C	75R75202
ABP N83 305285	75R5738
ABP N83 305295	75R5688
ABP N83 305300	75R5681
ABP N83 305320	75R5648
ABP N83 305325	75R5641
ABP N83 305335	75R5731
ABP N83 305390	75R5700
ABP N83 305395	75R5705
ABP N83 305400	75R5611
ABP N83 305405	75R5668
ABP N83 305410	75R8505
ABP N83 305415	75R8510
ABP N83 305420	75R8515
ABP N83 305425	75R8520
ABP N83 305430	75R8507
ABP N83 305440	75R5705
ABP N83 305500	75R5200
ABP N83 305550	75R6520
ABP N83 305560	75R6500
ABP N83 305565	75R6510
ABP N83 305570	75R6530
ABP N83 305575	75R6540
ABP N83 305580	75R6545
ABP N83 305585	75R6550
ABP N83 305830	75R5641
ABP N83 305900	75R58785
ABP N83 305910	75R5201
ABP N83 305920	75R5512
ABP N83 305940	75R5721
ABP N83 305945	75R5722
ABP N83 305950	75R5728
ABP N83 305960	75R5738
ABP N83 305990	79R6060
ABP N83 305992	79R6061
ABP N83 305993	79R6063
ABP N83 305994	79R6065
ABP N83 306000	77R6900
ABP N83 306003	77R1330
ABP N83 306005	77R0620
ABP N83 306006	77R1275
ABP N83 306008	77R1285
ABP N83 306010	77R5260
ABP N83 306012	77R0660
ABP N83 306014	77R1295
ABP N83 306015	77R5910
ABP N83 306022	77R0585
ABP N83 306025	77R7800
ABP N83 306027	77R6977
ABP N83 306029	77R8200

ALLIANCE	
ABP N83 306030	77R8100
ABP N83 306031	77R6978
ABP N83 306035	77R0670
ABP N83 306041	77R0710
ABP N83 306042	77R1335
ABP N83 306043	77R6995
ABP N83 306045	77R0900
ABP N83 306050	77R0090
ABP N83 306055	77R5250
ABP N83 306065	77R5350
ABP N83 306075	77R0530
ABP N83 306103	77R0500
ABP N83 306110	77R0700
ABP N83 306115	77R0100
ABP N83 306120	77R7900
ABP N83 306122	77R7900
ABP N83 306125	76R6300
ABP N83 306130	77R0500
ABP N83 306135	77R6800
ABP N83 306140	77R0150
ABP N83 306145	77R0150
ABP N83 306165	77R8200
ABP N83 306175	77R0260
ABP N83 306180	77R0110
ABP N83 306185	77R0800
ABP N83 306205	77R6200
ABP N83 306225	77R0250
ABP N83 306235	77R1100
ABP N83 306240	77R0950
ABP N83 306250	77R0900
ABP N83 306260	77R6960
ABP N83 306265	77R7900
ABP N83 306270	77R0650
ABP N83 306290	77R7708
ABP N83 306300	77R0150
ABP N83 306305	77R0580
ABP N83 306325	77R0095
ABP N83 306327	77R0115
ABP N83 306328	77R0355
ABP N83 306329	77R0635
ABP N83 306330	77R0675
ABP N83 306331	77R0715
ABP N83 306333	77R0720
ABP N83 306335	77R7705
ABP N83 306350	77R1280
ABP N83 306370	77R1295
ABP N83 306390	77R0630
ABP N83 306400	77R0665
ABP N83 306405	77R0990
ABP N83 306410	77R0350
ABP N83 306420	77R6950

CROSS
REFERENCE

O.E.M. PART NUMBER CROSS REFERENCE

Convert Other Part Numbers to Red Dot Aftermarket Numbers

CROSS
REFERENCE

ALLIANCE	
ABP N83 306425	77R6951
ABP N83 306500	77R0580
ABP N83 306507	77R1175
ABP N83 306510	77R6935
ABP N83 306515	77R6935
ABP N83 306520	77R6965
ABP N83 306525	77R6990
ABP N83 306530	77R6945
ABP N83 306535	77R6920
ABP N83 306540	77R6925
ABP N83 306545	77R6947
ABP N83 306550	77R6955
ABP N83 306555	77R1150
ABP N83 306560	77R5270
ABP N83 306570	77R1175
ABP N83 306575	77R6957
ABP N83 306590	77R6970
ABP N83 306605	77R8301
ABP N83 306610	77R8303
ABP N83 306620	77R6985
ABP N83 306800	77R0850
ABP N83 306805	77R5240
ABP N83 306810	77R0860
ABP N83 306815	77R5245
ABP N83 306820	77R1401
ABP N83 306825	77R1403
ABP N83 306830	77R1405
ABP N83 306835	77R1407
ABP N83 306840	77R1409
ABP N83 306845	77R1411
ABP N83 306860	77R1417
ABP N83 306865	77R1419
ABP N83 306870	77R1421
ABP N83 306875	77R6805
ABP N83 306880	77R6807
ABP N83 306885	77R1105
ABP N83 306890	77R7706
ABP N83 306895	77R7710
ABP N83 306900	77R7712
ABP N83 306902	77R7715
ABP N83 306905	77R7714
ABP N83 306907	77R7717
ABP N83 306910	77R7704
ABP N83 306915	77R0560
ABP N83 306920	77R7708
ABP N83 306925	77R6982
ABP N83 306930	77R1335
ABP N83 306935	77R6995
ABP N83 306940	77R1414
ABP N83 306996	77R5245
ABP N83 307000	R-7830-0P

ALLIANCE	
ABP N83 307010	76R7515
ABP N83 307020	76R7040
ABP N83 307025	76R6110
ABP N83 307030	RD-2-1855-0P
ABP N83 307035	76R5520
ABP N83 307040	76R6120
ABP N83 307045	76R7010
ABP N83 307050	76R7520
ABP N83 307055	76R5030
ABP N83 307060	76R4900
ABP N83 307065	76R6140
ABP N83 307070	76R6000
ABP N83 307090	76R6500
ABP N83 307095	76R7510
ABP N83 307105	76R6110
ABP N83 307110	76R6150
ABP N83 307113	75R0502
ABP N83 307120	76R6050
ABP N83 307130	76R5600
ABP N83 307140	RD-2-1121-1P
ABP N83 307145	76R7100
ABP N83 307160	76R6700
ABP N83 307175	76R7050
ABP N83 307180	76R7070
ABP N83 307185	76R6950
ABP N83 307195	76R6180
ABP N83 307200	76R6310
ABP N83 307205	76R7010
ABP N83 307210	76R5500
ABP N83 307215	76R6350
ABP N83 307225	76R5200
ABP N83 307230	76R5000
ABP N83 307240	76R7500
ABP N83 307255	76R6850
ABP N83 307260	76R7550
ABP N83 307265	76R6030
ABP N83 307270	76R5300
ABP N83 307275	RD-3270-2P
ABP N83 307280	76R7400
ABP N83 307315	76R6850
ABP N83 307325	76R6810
ABP N83 307355	RD-3-3300-0P
ABP N83 307380	76R6960
ABP N83 307405	76R6300
ABP N83 307468	76R1880
ABP N83 307470	76R6040
ABP N83 307480	76R6130
ABP N83 307485	76R7505
ABP N83 307490	76R6810
ABP N83 307540	RD-2-1663-0P
ABP N83 307555	76R7507

ALLIANCE	
ABP N83 307560	76R7530
ABP N83 307565	76R6130
ABP N83 307570	76R6130
ABP N83 307580	76R6440
ABP N83 307625	76R6070
ABP N83 307630	76R7560
ABP N83 307638	76R2030
ABP N83 307640	76R6015
ABP N83 307670	76R6430
ABP N83 307675	76R6960
ABP N83 307680	76R6650
ABP N83 307690	76R7030
ABP N83 307715	76R7535
ABP N83 307730	76R7507
ABP N83 307740	76R7515
ABP N83 307790	76R6600
ABP N83 307870	76R7060
ABP N83 307980	RD-2-2693-1P
ABP N83 307995	76R7505
ABP N83 308001	71R8400
ABP N83 308005	71R8080
ABP N83 308007	71R8500
ABP N83 308009	71R8370
ABP N83 308015	71R8050
ABP N83 308017	71R8505
ABP N83 308021	71R8405
ABP N83 308027	71R8504
ABP N83 308037	71R8503
ABP N83 308045	71R8080
ABP N83 308047	71R8506
ABP N83 308049	71R8500
ABP N83 308057	71R8510
ABP N83 308061	71R8370
ABP N83 308065	71R8210
ABP N83 308067	71R8503
ABP N83 308069	71R9002
ABP N83 308071	71R8321
ABP N83 308075	71R8100
ABP N83 308077	71R8507
ABP N83 308081	71R8410
ABP N83 308085	71R8100
ABP N83 308097	71R8380
ABP N83 308101	71R8321
ABP N83 308105	71R8080
ABP N83 308107	71R8455
ABP N83 308115	71R8220
ABP N83 308117	71R8457
ABP N83 308125	71R8385
ABP N83 308135	71R8060
ABP N83 308141	71R8430
ABP N83 308151	71R8420

ALLIANCE	
ABP N83 308185	71R8499
ABP N83 308191	71R8400
ABP N83 308195	71R8991
ABP N83 308209	71R8100
ABP N83 308211	71R8370
ABP N83 308231	71R8451
ABP N83 308241	71R8453
ABP N83 308251	71R8450
ABP N83 308261	71R8405
ABP N83 308271	71R8405
ABP N83 308281	71R8415
ABP N83 308291	71R8370
ABP N83 308300	71R8325
ABP N83 308301	71R8440
ABP N83 308311	71R8507
ABP N83 308321	71R8425
ABP N83 308331	71R8090
ABP N83 308341	71R8090
ABP N83 308349	71R8080
ABP N83 308351	71R8425
ABP N83 308359	71R8090
ABP N83 308375	71R8469
ABP N83 308409	71R8060
ABP N83 308419	71R8430
ABP N83 308906	71R8420
ABP N83 309006	71R8350
ABP N83 309013	73R9064
ABP N83 309071	73R9054
ABP N83 309081	73R9072
ABP N83 309101	73R8050
ABP N83 309111	73R9052
ABP N83 309131	RD-5-3894-2P
ABP N83 309141	73R9062
ABP N83 309181	73R8110
ABP N83 310001	70R7170
ABP N83 310002	70R1592
ABP N83 310006	70R4446
ABP N83 310008	70R4448
ABP N83 310010	70R64915
ABP N83 310011	70R7270
ABP N83 310012	70R4446
ABP N83 310013	70R64915
ABP N83 310015	70R7550
ABP N83 310016	70R7600
ABP N83 310020	70R7650
ABP N83 310021	70R4406
ABP N83 310028	70R1508
ABP N83 310030	70R1401
ABP N83 310031	70R7250
ABP N83 310033	70R1496
ABP N83 310036	70R7006

O.E.M. PART NUMBER CROSS REFERENCE

Convert Other Part Numbers to Red Dot Aftermarket Numbers

ALLIANCE	
ABP N83 310038	70R7150
ABP N83 310051	70R7110
ABP N83 310056	70R1406
ABP N83 310060	70R4991
ABP N83 310061	70R7100
ABP N83 310066	70R1396
ABP N83 310067	RD-1-0793-2P
ABP N83 310071	70R7200
ABP N83 310076	70R1306
ABP N83 310100	70R84701S
ABP N83 310120	70R84791S
ABP N83 310121	70R1301
ABP N83 310128	70R1498
ABP N83 310130	70R1391
ABP N83 310138	70R1408
ABP N83 310140	70R1491
ABP N83 310146	70R94396S
ABP N83 310180	70R4441S
ABP N83 310188	70R4448S
ABP N83 310190	70R4341S
ABP N83 310196	RD-5-6940-0P
ABP N83 310198	70R4408S
ABP N83 310200	70R4301S
ABP N83 310206	70R4446S
ABP N83 310208	70R3208
ABP N83 310210	70R4391S
ABP N83 310216	70R4346S
ABP N83 310226	70R4496S
ABP N83 310228	70R2068
ABP N83 310238	70R1398
ABP N83 310240	70R3406
ABP N83 310246	70R3206
ABP N83 310248	70R1308
ABP N83 310250	70R2061
ABP N83 310258	70R1598
ABP N83 310260	70R1591
ABP N83 310266	70R2066
ABP N83 310270	70R4691S
ABP N83 310276	70R2306
ABP N83 310278	70R4498S
ABP N83 310280	70R2201
ABP N83 310286	70R2206
ABP N83 310296	70R1506
ABP N83 310300C	70R8621
ABP N83 310306	70R1596
ABP N83 310310C	70R8681
ABP N83 310320C	70R8598
ABP N83 310322C	70R85206
ABP N83 310324C	70R85201
ABP N83 310326C	70R85202
ABP N83 310328C	70R85212

ALLIANCE	
ABP N83 310330C	70R85222
ABP N83 310331	73R0404
ABP N83 310332C	70R85301
ABP N83 310334C	70R85336
ABP N83 310336C	70R85326
ABP N83 310338C	70R85321
ABP N83 310340	70R8881
ABP N83 310342C	70R85311
ABP N83 310346	70R8886
ABP N83 310348C	70R8888
ABP N83 310350C	70R8891
ABP N83 310356C	70R8996
ABP N83 310358C	70R8998
ABP N83 310360C	70R8591
ABP N83 310366C	70R8251
ABP N83 310400	70R6441
ABP N83 310406	70R6506
ABP N83 310408	70R6508
ABP N83 310410	70R6501
ABP N83 310412	70R9402S
ABP N83 310416	70R4646S
ABP N83 310418	70R4698S
ABP N83 310420	70R4701S
ABP N83 310422	70R9492S
ABP N83 310426	70R4696
ABP N83 310428	70R9016S
ABP N83 310430	70R4791
ABP N83 310436	70R9016S
ABP N83 310438	70R9308S
ABP N83 310440	70R4601S
ABP N83 310444	70R9312S
ABP N83 310446	70R9306S
ABP N83 310448	70R9398S
ABP N83 310456	70R9396S
ABP N83 310458	70R9408S
ABP N83 310460	70R4641S
ABP N83 310464	70R9001S
ABP N83 310466	70R9406S
ABP N83 310468	70R9496S
ABP N83 310470	70R4641
ABP N83 310476	70R9496S
ABP N83 310478	70R9908S
ABP N83 310480	70R5091S
ABP N83 310486	70R9906S
ABP N83 310488	70R9998S
ABP N83 310490	70R4692S
ABP N83 310496	70R9996S
ABP N83 310500	70R5091S
ABP N83 310501	70R82071S
ABP N83 310502	70R6492S
ABP N83 310504	70R9706S

ALLIANCE	
ABP N83 310506	70R82076S
ABP N83 310508	70R82078S
ABP N83 310512	70R9011S
ABP N83 310514	70R9708S
ABP N83 310516	70R2066S
ABP N83 310518	70R9796S
ABP N83 310520	70R9791S
ABP N83 310522	70R9072S
ABP N83 310530	70R9001S
ABP N83 310540	70R9091S
ABP N83 310550	70R9018S
ABP N83 310560	70R9301S
ABP N83 310570	70R9391S
ABP N83 310580	70R9401S
ABP N83 310590	70R9491S
ABP N83 310600	70R9901S
ABP N83 310610	70R9991S
ABP N83 310612	70R4316S
ABP N83 310614	70R4311S
ABP N83 310618	70R4310S
ABP N83 310622	70R42396S
ABP N83 310624	70R42390S
ABP N83 310626	70R42392S
ABP N83 310690C	70R82256
ABP N83 310692C	70R82258
ABP N83 310694C	70R82251
ABP N83 310696C	70R82252
ABP N83 310698C	70R82261
ABP N83 310700	70R8091
ABP N83 310700C	70R8091
ABP N83 310701	70R8761
ABP N83 310701C	70R8761
ABP N83 310702	70R8092
ABP N83 310702C	70R8092
ABP N83 310706	70R8216
ABP N83 310706C	70R8216
ABP N83 310708	70R8218
ABP N83 310708C	70R8218
ABP N83 310711	70R8211
ABP N83 310711C	70R8211
ABP N83 310712	70R8212
ABP N83 310712C	70R8212
ABP N83 310716	70R8276
ABP N83 310716C	70R8276
ABP N83 310718	70R8278
ABP N83 310718C	70R8278
ABP N83 310721	70R8271
ABP N83 310721C	70R8271
ABP N83 310722	70R8272
ABP N83 310722C	70R8272
ABP N83 310726	70R8306

ALLIANCE	
ABP N83 310726C	70R8306
ABP N83 310728	70R8308
ABP N83 310728C	70R8308
ABP N83 310731	70R8261
ABP N83 310731C	70R8261
ABP N83 310732	70R8302
ABP N83 310732C	70R8302
ABP N83 310736	70R8716
ABP N83 310736C	70R8716
ABP N83 310738	70R8198
ABP N83 310738C	70R8198
ABP N83 310741	70R8301
ABP N83 310741C	70R8301
ABP N83 310742	70R8242
ABP N83 310746	70R8096
ABP N83 310746C	70R8096
ABP N83 310748	70R8098
ABP N83 310748C	70R8098
ABP N83 310751	70R8711
ABP N83 310751C	70R8711
ABP N83 310752	70R8292
ABP N83 310752C	70R8292
ABP N83 310756	70R8246
ABP N83 310758	RD-5-10691-0P
ABP N83 310758C	70R8248
ABP N83 310761C	70R8241
ABP N83 310762	70R8602
ABP N83 310762C	70R8602
ABP N83 310766	70R8606
ABP N83 310766C	70R8606
ABP N83 310768	70R8608
ABP N83 310768C	70R8608
ABP N83 310771	70R8601
ABP N83 310771C	70R8601
ABP N83 310772	70R8642
ABP N83 310772C	70R8642
ABP N83 310776	70R8706
ABP N83 310776C	70R8706
ABP N83 310778	70R8708
ABP N83 310778C	70R8708
ABP N83 310781	70R8701
ABP N83 310781C	70R8701
ABP N83 310782	70R8692
ABP N83 310782C	70R8692
ABP N83 310786	70R8646
ABP N83 310786C	70R8646
ABP N83 310788C	70R8648
ABP N83 310791	70R8641
ABP N83 310791C	70R8641
ABP N83 310792	70R8002
ABP N83 310792C	70R8002

CROSS REFERENCE

O.E.M. PART NUMBER CROSS REFERENCE

Convert Other Part Numbers to Red Dot Aftermarket Numbers

CROSS
REFERENCE

ALLIANCE	
ABP N83 310796	70R8696
ABP N83 310796C	70R8696
ABP N83 310798	70R8648
ABP N83 310798C	70R8698
ABP N83 310801	70R8691
ABP N83 310801C	70R8691
ABP N83 310806	70R8796
ABP N83 310806C	70R8796
ABP N83 310808	70R8798
ABP N83 310808C	70R8798
ABP N83 310811	70R8791
ABP N83 310811C	70R8791
ABP N83 310816	70R8786
ABP N83 310816C	70R8786
ABP N83 310818	70R8008
ABP N83 310818C	70R8008
ABP N83 310821	70R8781
ABP N83 310821C	70R8781
ABP N83 310826	70R8006
ABP N83 310826C	70R8006
ABP N83 310828	70R8788
ABP N83 310828C	70R8788
ABP N83 310831	70R8001
ABP N83 310831C	70R8001
ABP N83 310961	70R8801
ABP N83 310962	70R8802
ABP N83 310966	70R8806
ABP N83 310968	70R8808
ABP N83 310971	70R8821
ABP N83 310972	70R8822
ABP N83 310976	70R8826
ABP N83 310978	70R8828
ABP N83 310979	75R5555
ABP N83 310980	75R5556
ABP N83 311000	70R2401
ABP N83 311006	70R4346
ABP N83 311010	70R4341
ABP N83 311012	70R4342
ABP N83 311016	70R4196
ABP N83 311018	70R4498
ABP N83 311020	70R4441
ABP N83 311021	70R5550
ABP N83 311022	70R4442
ABP N83 311026	70R4496
ABP N83 311028	70R2408
ABP N83 311030	70R4291
ABP N83 311031	70R5600
ABP N83 311032	70R4392
ABP N83 311034	70R4296S
ABP N83 311036	70R4996
ABP N83 311038	70R4348

ALLIANCE	
ABP N83 311040	70R4391
ABP N83 311041	70R5650
ABP N83 311042	70R4402
ABP N83 311044	70R4298S
ABP N83 311046	70R4306
ABP N83 311048	70R4198
ABP N83 311050	70R4191
ABP N83 311052	70R2082
ABP N83 311054	70R4291S
ABP N83 311056	70R4396
ABP N83 311058	70R4998
ABP N83 311060	70R4991
ABP N83 311061	70R5706
ABP N83 311062	70R4092S
ABP N83 311066	70R4106
ABP N83 311068	70R4398
ABP N83 311070	70R4301
ABP N83 311071	70R5708
ABP N83 311072	70R4292
ABP N83 311076	70R2406
ABP N83 311078	70R4308
ABP N83 311080	70R4401
ABP N83 311081	70R5770
ABP N83 311088	70R4108
ABP N83 311090	70R4491
ABP N83 311091	70R5701
ABP N83 311092	70R4192
ABP N83 311096	70R97006S
ABP N83 311098	70R4408
ABP N83 311100	70R4691
ABP N83 311101	70R2720
ABP N83 311102	70R2092
ABP N83 311106	70R4346
ABP N83 311110	70R4701
ABP N83 311111	70R2710
ABP N83 311112	75R5672
ABP N83 311116	70R84546S
ABP N83 311118	70R94498S
ABP N83 311122	70R4002S
ABP N83 311126	70R84396S
ABP N83 311130	70R4201
ABP N83 311132	70R4202
ABP N83 311136	70R2086
ABP N83 311139	70R3258
ABP N83 311140	70R4101
ABP N83 311146	70R4546
ABP N83 311148	70R97008S
ABP N83 311156	70R6096
ABP N83 311158	70R4598
ABP N83 311162	70R4102
ABP N83 311166	70R4096S

ALLIANCE	
ABP N83 311168	70R2088
ABP N83 311172	70R2012
ABP N83 311176	70R6496
ABP N83 311178	70R4548
ABP N83 311180	70R2081
ABP N83 311181	70R5200
ABP N83 311182	70R2112
ABP N83 311186	70R4796
ABP N83 311188	70R6098
ABP N83 311190	70R4541
ABP N83 311191	70R5210
ABP N83 311194	70R6098S
ABP N83 311196	70R4596
ABP N83 311198	70R4098S
ABP N83 311200	70R4091S
ABP N83 311202	70R4502
ABP N83 311204	70R4502S
ABP N83 311208	70R4698
ABP N83 311212	75R75152S
ABP N83 311214	70R6091S
ABP N83 311216	70R2096
ABP N83 311218	70R4298
ABP N83 311220	70R8061
ABP N83 311220C	70R8061
ABP N83 311222	75R75142S
ABP N83 311226	70R4296
ABP N83 311230	70R6091
ABP N83 311231	70R3590
ABP N83 311232	75R75832S
ABP N83 311240	70R2091
ABP N83 311241	70R3530
ABP N83 311242	75R75678S
ABP N83 311244	70R6096S
ABP N83 311246	70R4396S
ABP N83 311248	70R2098
ABP N83 311250	70R4491S
ABP N83 311251	70R2700
ABP N83 311252	75R75858S
ABP N83 311256	70R2016
ABP N83 311258	75R5618
ABP N83 311260	75R5681
ABP N83 311261	70R3550
ABP N83 311262	75R75672S
ABP N83 311266	70R6006
ABP N83 311268	70R6008
ABP N83 311270	70R6001
ABP N83 311271	70R3500
ABP N83 311274	70R6001S
ABP N83 311276	70R4006S
ABP N83 311278	70R4008S
ABP N83 311280	70R4001S

ALLIANCE	
ABP N83 311282	75R75838S
ABP N83 311284	70R4206S
ABP N83 311286	70R4206
ABP N83 311288	70R4208
ABP N83 311290	70R4601
ABP N83 311291	RD-1-0661-9P
ABP N83 311292	75R75158S
ABP N83 311294	70R4208S
ABP N83 311296	70R4606
ABP N83 311298	70R4608
ABP N83 311302	70R84551S
ABP N83 311304	70R4201S
ABP N83 311311	RD-1-0661-7P
ABP N83 311312	70R95091S
ABP N83 311314	70R4202S
ABP N83 311320	70R4501
ABP N83 311321	70R3256
ABP N83 311322	70R84402S
ABP N83 311326	70R4798
ABP N83 311331	70R3800
ABP N83 311332	70R84202S
ABP N83 311336	70R4506
ABP N83 311338	70R4508
ABP N83 311340	70R2011
ABP N83 311342	70R84242S
ABP N83 311346	70R2036
ABP N83 311348	70R2018
ABP N83 311350	70R2031
ABP N83 311352	70R84292S
ABP N83 311356	70R2116
ABP N83 311358	70R2038
ABP N83 311360	70R4791
ABP N83 311361	RD-1-0661-2P
ABP N83 311362	70R84002S
ABP N83 311366	70R94406S
ABP N83 311368	70R2118
ABP N83 311370	70R2111
ABP N83 311371	RD-1-0661-3P
ABP N83 311376	70R96496S
ABP N83 311378	70R84408S
ABP N83 311380	70R94601S
ABP N83 311386	70R4696
ABP N83 311390	70R94641S
ABP N83 311396	70R3906
ABP N83 311400	70R94691S
ABP N83 311401	78R5500
ABP N83 311404	70R6446S
ABP N83 311406	70R84406S
ABP N83 311408	70R96448S
ABP N83 311410	70R96741S
ABP N83 311416	70R84306S

O.E.M. PART NUMBER CROSS REFERENCE

Convert Other Part Numbers to Red Dot Aftermarket Numbers

ALLIANCE	
ABP N83 311418	70R96598S
ABP N83 311420	70R94341S
ABP N83 311424	70R4006S
ABP N83 311426	70R94306S
ABP N83 311428	70R84308S
ABP N83 311430	70R94591S
ABP N83 311434	70R4006
ABP N83 311436	70R7006
ABP N83 311438	70R84548S
ABP N83 311440	70R94791S
ABP N83 311444	70R4602
ABP N83 311446	70R94696S
ABP N83 311448	70R84398S
ABP N83 311450	70R94511S
ABP N83 311456	70R84296S
ABP N83 311458	70R94398S
ABP N83 311460	70R3901
ABP N83 311461	70R8420
ABP N83 311462	70R84492S
ABP N83 311466	70R9076S
ABP N83 311468	70R84448S
ABP N83 311470	75R5671
ABP N83 311472	75R75825S
ABP N83 311476	70R84446S
ABP N83 311478	70R84498S
ABP N83 311480	RD-5-7235-0P
ABP N83 311486	70R84496S
ABP N83 311488	70R94998S
ABP N83 311490	70R84501S
ABP N83 311496	70R94316S
ABP N83 311498	70R84208S
ABP N83 311500	70R84601S
ABP N83 311506	70R94646S
ABP N83 311508	70R84248S
ABP N83 311510	70R97701S
ABP N83 311511	RD-5-3876-0P
ABP N83 311512	70R2402
ABP N83 311516	70R84206S
ABP N83 311518	70R84298S
ABP N83 311520	70R96491S
ABP N83 311522	70R2072S
ABP N83 311526	70R84246S
ABP N83 311528	70R84008S
ABP N83 311530	70R84301S
ABP N83 311532	70R2062S
ABP N83 311536	70R2076S
ABP N83 311540	70R84541S
ABP N83 311542	70R4302S
ABP N83 311546	70R84006S
ABP N83 311550	70R84741S
ABP N83 311551	70R2071S

ALLIANCE	
ABP N83 311552	70R4342S
ABP N83 311560	70R94391S
ABP N83 311561	70R2061S
ABP N83 311562	70R4392S
ABP N83 311570	70R84401S
ABP N83 311571	RD-5-9796-0P
ABP N83 311572	70R4402S
ABP N83 311580	70R84441S
ABP N83 311582	70R4492S
ABP N83 311584	70R2006S
ABP N83 311586	70R2116
ABP N83 311590	70R84641S
ABP N83 311591	70R4501S
ABP N83 311592	70R7002S
ABP N83 311594	70R2008S
ABP N83 311600	70R84491S
ABP N83 311601	70R4401S
ABP N83 311602	70R2001S
ABP N83 311604	70R2002S
ABP N83 311610	70R84691S
ABP N83 311630	70R84321S
ABP N83 311640	70R84991S
ABP N83 311650	70R84692S
ABP N83 311660	70R94991S
ABP N83 311670	70R94692S
ABP N83 311680	70R84561S
ABP N83 311681	70R4591S
ABP N83 311686	70R84506S
ABP N83 311690	70R84201S
ABP N83 311696	70R4706S
ABP N83 311698	70R9078S
ABP N83 311700	RD-5-9682-0P
ABP N83 311702	70R2406S
ABP N83 311704	70R2408S
ABP N83 311706	70R2016S
ABP N83 311708	70R94408S
ABP N83 311710	70R84241S
ABP N83 311714	70R2401S
ABP N83 311716	70R4506S
ABP N83 311718	70R2078S
ABP N83 311720	70R84251S
ABP N83 311722	70R2402S
ABP N83 311728	70R6498S
ABP N83 311730	70R84291S
ABP N83 311738	70R6598S
ABP N83 311740	70R84891S
ABP N83 311748	70R4798
ABP N83 311750	70R84001S
ABP N83 311752	70R4798S
ABP N83 311758	70R2018S
ABP N83 311760	70R84051S

ALLIANCE	
ABP N83 311762	70R2012S
ABP N83 311766	70R2406
ABP N83 311786	70R2036S
ABP N83 311794	70R2038S
ABP N83 311796	70R4306S
ABP N83 311798	70R2408
ABP N83 311806	70R4406S
ABP N83 311808	70R2068S
ABP N83 311818	70R4508S
ABP N83 311826	70R6006S
ABP N83 311828	70R4598S
ABP N83 311838	70R4308S
ABP N83 311846	70R4796S
ABP N83 311848	70R4348S
ABP N83 311856	70R4606S
ABP N83 311858	70R4398S
ABP N83 311878	70R6448
ABP N83 311888	70R7008S
ABP N83 311898	70R6008S
ABP N83 311907C	70R8558
ABP N83 311908	70R4608S
ABP N83 311918	70R5718
ABP N83 311926C	70R8556
ABP N83 311931C	70R8551
ABP N83 311932	70R8062
ABP N83 311932C	70R8062
ABP N83 311936C	70R8066
ABP N83 311938	70R8061
ABP N83 311938C	70R8068
ABP N83 311941	70R8071
ABP N83 311941C	70R8071
ABP N83 311946	70R8086
ABP N83 311946C	70R8086
ABP N83 311948	70R8088
ABP N83 311948C	70R8088
ABP N83 311950	70R7001S
ABP N83 311951C	70R8201
ABP N83 311952C	70R8511
ABP N83 311958C	70R8208
ABP N83 311960	70R9071S
ABP N83 311961	70R8291
ABP N83 311961C	70R8291
ABP N83 311966	70R8296
ABP N83 311966C	70R8296
ABP N83 311968	70R8298
ABP N83 311968C	70R8298
ABP N83 311970	70R2031S
ABP N83 311971C	70R8341
ABP N83 311976C	70R8346
ABP N83 311978C	70R8688
ABP N83 311980	70R2011S

ALLIANCE	
ABP N83 311988C	70R8348
ABP N83 311998	70R8398
ABP N83 311998C	70R8398
ABP N83 312010	70R5051
ABP N83 312018	70R5058
ABP N83 312032	70R5052
ABP N83 312036	70R5056
ABP N83 312060	70R5024
ABP N83 312076	70R5022
ABP N83 312092	70R5026
ABP N83 312125	70R5020
ABP N83 312206	70R5028
ABP N83 312208	70R5029
ABP N83 312326	70R5046
ABP N83 312332	70R5042
ABP N83 312340	70R8510
ABP N83 312342	70R8512
ABP N83 312346	70R8506
ABP N83 312361	70R5033
ABP N83 312366	70R5031
ABP N83 312368	70R5032
ABP N83 312372	70R5034
ABP N83 313100	78R0451
ABP N83 313101	78R0406
ABP N83 313102	78R0452
ABP N83 313103	78R0451SP
ABP N83 313104	78R0452SP
ABP N83 313106	78R0456
ABP N83 313107	78R0458SP
ABP N83 313108	78R0458
ABP N83 313111	78R0401
ABP N83 313112	78R9452
ABP N83 313118	78R0458
ABP N83 313120	78R8806
ABP N83 313125	78R8808
ABP N83 313126	78R0456
ABP N83 313130	78R8810
ABP N83 313135	78R8812
ABP N83 313138	78R0408
ABP N83 313220	78R8806SPD
ABP N83 313225	78R8808SPD
ABP N83 313230	78R8810SPD
ABP N83 313235	78R8812SPD
ABP N83 313300	78R0100
ABP N83 313304	78R0110
ABP N83 313305	70R7310
ABP N83 313401	78R8451
ABP N83 313402	78R8452
ABP N83 313406	78R8456
ABP N83 313408	78R8458
ABP N83 313441	78R8451SP

CROSS
REFERENCE

O.E.M. PART NUMBER CROSS REFERENCE

Convert Other Part Numbers to Red Dot Aftermarket Numbers

CROSS
REFERENCE

ALLIANCE	
ABP N83 313442	78R8452SP
ABP N83 313446	78R8456SP
ABP N83 313517	RD-5-5450-OP
ABP N83 313558	78R0200
ABP N83 313559	78R0250
ABP N83 313560	78R0350
ABP N83 313600	78R9451
ABP N83 313606	78R9456
ABP N83 313608	78R9458
ABP N83 313700	78R0040
ABP N83 313701	78R0030
ABP N83 313703	78R0050
ABP N83 313704	78R0060
ABP N83 313705	78R0063
ABP N83 313706	78R0065
ABP N83 313900	72R4400
ABP N83 313901	78R0070
ABP N83 313902	72R4510
ABP N83 313903	78R0400
ABP N83 313905	78R0300
ABP N83 313918	72R9020
ABP N83 313930	72R9010
ABP N83 314000	70R2078
ABP N83 314004	70R5120
ABP N83 314006	71R8915
ABP N83 314010	70R2076
ABP N83 314020	70R7008S
ABP N83 314040	70R2071
ABP N83 314048	75R5820
ABP N83 314055	75R5819
ABP N83 314090	75R5560
ABP N83 314091	75R5560
ABP N83 314095	70R8500
ABP N83 314100	75R5570
ABP N83 314115	70R7750
ABP N83 314120	75R5556
ABP N83 314125	70R3006
ABP N83 314146	70R5125
ABP N83 314155	70R3001
ABP N83 314160	75R5510
ABP N83 314165	70R3008
ABP N83 314175	RD-5-4487-OP
ABP N83 314181	75R5801
ABP N83 314182	75R5806
ABP N83 314185	75R5802
ABP N83 314195	RD-5-4265-OP
ABP N83 314201	75R5570
ABP N83 314202	75R5560
ABP N83 314205	79R4005
ABP N83 314215	75R5560
ABP N83 314220	75R5570

ALLIANCE	
ABP N83 314235	75R5852
ABP N83 314240	75R5832
ABP N83 314260	75R5842
ABP N83 314275	75R5858
ABP N83 314280	75R5838
ABP N83 314285	75R5678
ABP N83 314300	75R5808
ABP N83 314310	75R5848
ABP N83 314395	75R5500
ABP N83 314400	75R5540
ABP N83 314410	75R5540
ABP N83 314470	75R5819
ABP N83 314475	75R5820
ABP N83 314485	75R5815
ABP N83 314495	75R5824
ABP N83 314505	75R5829
ABP N83 314515	75R5827
ABP N83 314600	70R8400
ABP N83 315015	76R2360
ABP N83 315025	76R2155
ABP N83 315055	76R2450
ABP N83 315075	76R3500
ABP N83 315085	76R1450
ABP N83 315095	76R3400
ABP N83 315100	76R2600
ABP N83 315105	76R2300
ABP N83 315110	76R3000
ABP N83 315115	76R1100
ABP N83 315120	76R1110
ABP N83 315125	76R1400
ABP N83 315130	76R1410
ABP N83 315135	76R1120
ABP N83 315140	76R2210
ABP N83 315150	76R2220
ABP N83 315155	RD-1-0533-OP
ABP N83 315160	76R2400
ABP N83 315170	76R3250
ABP N83 315175	76R2330
ABP N83 315180	76R2320
ABP N83 315185	76R2340
ABP N83 315195	76R0500
ABP N83 315205	76R3450
ABP N83 315210	76R3300
ABP N83 315220	76R1900
ABP N83 315225	76R3900
ABP N83 315230	76R3930
ABP N83 315240	76R3910
ABP N83 315245	76R3460
ABP N83 315250	76R1000
ABP N83 315255	76R3930
ABP N83 315260	76R2730

ALLIANCE	
ABP N83 315265	76R1510
ABP N83 315270	76R2350
ABP N83 315275	76R4000
ABP N83 315285	RD-1-0276-OP
ABP N83 315290	76R2700
ABP N83 315295	76R1600
ABP N83 315355	76R3930
ABP N83 315395	76R7510
ABP N83 315400	76R6110
ABP N83 315415	76R2010
ABP N83 315465	RD-1-1545-1P
ABP N83 315470	RD-1-1570-OP
ABP N83 315480	76R2420
ABP N83 315500	76R2150
ABP N83 315505	76R5711
ABP N83 315510	76R2160
ABP N83 315520	76R2600
ABP N83 315532	76R3925
ABP N83 315535	76R3905
ABP N83 315560	76R3940
ABP N83 315570	76R3943
ABP N83 315575	76R3950
ABP N83 315605	76R4023
ABP N83 315615	76R2155
ABP N83 315640	76R4100
ABP N83 316005	72R2250
ABP N83 316010	72R2250
ABP N83 316016	71R4050
ABP N83 316035	71R4050
ABP N83 316040	71R4035
ABP N83 316050	71R4040
ABP N83 316055	71R4030
ABP N83 316075	RD-4170-OP
ABP N83 316115	71R4105
ABP N83 316120	71R4010
ABP N83 316125	71R4011
ABP N83 316130	71R4020
ABP N83 316140	71R4060
ABP N83 316175	71R4063
ABP N83 317000	72R1210
ABP N83 317003	RD-5-9638-OP
ABP N83 317005	72R3100
ABP N83 317011	72R2000
ABP N83 317012	72R2130
ABP N83 317013	72R3200
ABP N83 317014	72R2110
ABP N83 317016	72R3000
ABP N83 317017	72R2500
ABP N83 317018	72R3530
ABP N83 317019	72R3550
ABP N83 317020	72R2300

ALLIANCE	
ABP N83 317021	72R3100
ABP N83 317022	72R3110
ABP N83 317024	72R2140
ABP N83 317026	72R2100
ABP N83 317027	72R2150
ABP N83 317028	72R2200
ABP N83 317036	72R3510
ABP N83 317040	72R2600
ABP N83 317046	72R3111
ABP N83 317054	72R3149
ABP N83 317056	72R3601
ABP N83 317057	72R3603
ABP N83 317061	72R4400
ABP N83 317062	72R4500
ABP N83 317063	72R4510
ABP N83 317070	RD-5-6781-OP
ABP N83 317080	72R2351
ABP N83 317100	72R4532
ABP N83 317105	72R3157
ABP N83 317120	72R2140
ABP N83 317500	70R3001
ABP N83 317550	72R2120
ABP N83 317570	72R2605
ABP N83 317580	72R3135
ABP N83 318000	71R6183
ABP N83 318001	71R6235
ABP N83 318004	71R6181
ABP N83 318009	71R7500
ABP N83 318010	71R6070
ABP N83 318013	72R0070
ABP N83 318014	71R6050
ABP N83 318015	RD-5-9254-OP
ABP N83 318017	71R8505
ABP N83 318019	71R7650
ABP N83 318021	71R6145
ABP N83 318022	71R6210
ABP N83 318023	71R6095
ABP N83 318024	71R6040
ABP N83 318027	71R7073
ABP N83 318029	71R7550
ABP N83 318030	71R6070
ABP N83 318035	71R6155
ABP N83 318037	71R6582
ABP N83 318039	71R7500
ABP N83 318040	71R6080
ABP N83 318041	71R6584
ABP N83 318042	71R6410
ABP N83 318048	71R6445
ABP N83 318049	71R7000
ABP N83 318050	71R6090
ABP N83 318053	71R6120

O.E.M. PART NUMBER CROSS REFERENCE

Convert Other Part Numbers to Red Dot Aftermarket Numbers

ALLIANCE	
ABP N83 318059	71R7050
ABP N83 318060	71R6110
ABP N83 318064	71R6080
ABP N83 318069	71R7100
ABP N83 318070	71R6100
ABP N83 318074	71R6040
ABP N83 318079	71R7000
ABP N83 318080	71R6070
ABP N83 318083	72R1210
ABP N83 318084	71R6040
ABP N83 318085	71R6267
ABP N83 318088	71R6045
ABP N83 318089	71R7050
ABP N83 318090	71R6100
ABP N83 318094	71R6020
ABP N83 318098	71R6430
ABP N83 318099	71R7077
ABP N83 318104	71R6020
ABP N83 318108	71R6181
ABP N83 318109	71R7075
ABP N83 318113	72R1200
ABP N83 318118	71R6183
ABP N83 318119	71R7750
ABP N83 318123	72R1300
ABP N83 318133	72R1310
ABP N83 318138	71R6420
ABP N83 318149	71R7550
ABP N83 318153	RD-5-6028-3P
ABP N83 318154	71R6020
ABP N83 318158	71R6055
ABP N83 318159	71R7710
ABP N83 318160	71R6160
ABP N83 318170	71R6180
ABP N83 318173	RD-3-2788-1P
ABP N83 318174	71R6095
ABP N83 318178	71R6150
ABP N83 318179	71R7077
ABP N83 318180	71R6210
ABP N83 318182	75R5806
ABP N83 318183	72R1100
ABP N83 318184	71R6170
ABP N83 318188	71R6460
ABP N83 318189	71R4511
ABP N83 318190	71R6220
ABP N83 318200	71R6230
ABP N83 318208	71R6560
ABP N83 318209	71R6125
ABP N83 318214	71R6093
ABP N83 318223	RD-3267-0P
ABP N83 318224	71R6257
ABP N83 318228	71R6475

ALLIANCE	
ABP N83 318229	71R7075
ABP N83 318234	71R6255
ABP N83 318238	71R6480
ABP N83 318240	71R6185
ABP N83 318243	RD-5-6205-0P
ABP N83 318250	71R6245
ABP N83 318259	71R4511
ABP N83 318278	71R6600
ABP N83 318602	71R6571
ABP N83 318606	71R6576
ABP N83 318608	71R6560
ABP N83 318610	71R6578
ABP N83 318612	71R6500
ABP N83 318618	71R6561
ABP N83 318628	71R6563
ABP N83 318638	71R6565
ABP N83 318648	71R6566
ABP N83 318668	71R6571
ABP N83 318678	71R6563
ABP N83 318688	71R6576
ABP N83 318708	71R6580
ABP N83 318728	71R6444
ABP N83 318748	71R6405
ABP N83 318758	71R6406
ABP N83 318768	71R6408
ABP N83 318778	71R6410
ABP N83 318788	71R6412
ABP N83 318798	71R6426
ABP N83 318807	71R6570
ABP N83 318808	71R6415
ABP N83 318818	71R6416
ABP N83 318828	71R6418
ABP N83 318838	71R6420
ABP N83 318858	71R6424
ABP N83 318868	71R6426
ABP N83 318869	71R6570
ABP N83 318878	71R6408
ABP N83 318888	71R6434
ABP N83 318898	71R6450
ABP N83 318907	71R6442
ABP N83 318908	71R6438
ABP N83 318917	71R6425
ABP N83 318918	71R6442
ABP N83 318927	71R6448
ABP N83 318928	71R6444
ABP N83 318937	71R6430
ABP N83 318938	71R6445
ABP N83 318947	71R6450
ABP N83 318948	71R6451
ABP N83 318957	71R6452
ABP N83 318958	71R6455

ALLIANCE	
ABP N83 318967	71R6454
ABP N83 318968	71R6570
ABP N83 318977	71R6456
ABP N83 318987	71R6458
ABP N83 318997	71R6460
ABP N83 319000	74R2106
ABP N83 319004	74R1856
ABP N83 319008	74R7220
ABP N83 319009	74R5600
ABP N83 319010	74R1706
ABP N83 319012	74R1406
ABP N83 319014	74R2106
ABP N83 319015	74R4028
ABP N83 319020	74R2556
ABP N83 319027	74R3356
ABP N83 319028	74R3356
ABP N83 319029	74R5050
ABP N83 319034	74R3106
ABP N83 319044	74R2586
ABP N83 319047	74R2676
ABP N83 319048	74R2676
ABP N83 319050	74R3056
ABP N83 319054	74R2106
ABP N83 319064	74R2596
ABP N83 319068	74R7210
ABP N83 319069	74R5060
ABP N83 319070	74R0906
ABP N83 319074	74R1906
ABP N83 319079	74R5055
ABP N83 319084	74R2606
ABP N83 319089	74R5057
ABP N83 319094	74R3506
ABP N83 319098	74R3309
ABP N83 319099	74R5063
ABP N83 319100	74R0450
ABP N83 319104	74R4006
ABP N83 319108	74R0470
ABP N83 319109	74R5065
ABP N83 319110	74R2706
ABP N83 319114	74R4116
ABP N83 319119	74R5093
ABP N83 319120	74R2676
ABP N83 319124	74R4016
ABP N83 319130	74R3322
ABP N83 319134	74R0460
ABP N83 319139	74R5067
ABP N83 319144	74R1806
ABP N83 319147	74R5076
ABP N83 319148	RD-5-4722-1P
ABP N83 319149	74R5069
ABP N83 319154	74R2306

ALLIANCE	
ABP N83 319155	74R0455
ABP N83 319156	74R2006
ABP N83 319157	74R2016
ABP N83 319159	74R5097
ABP N83 319160	74R3455
ABP N83 319161	74R2026
ABP N83 319162	74R3325
ABP N83 319164	74R3306
ABP N83 319168	74R8006
ABP N83 319169	74R5075
ABP N83 319174	74R3306
ABP N83 319179	74R5077
ABP N83 319180	74R2406
ABP N83 319184	74R3056
ABP N83 319189	74R5079
ABP N83 319190	74R2306
ABP N83 319194	74R2556
ABP N83 319198	74R3309
ABP N83 319199	74R5081
ABP N83 319208	74R2706
ABP N83 319209	74R5083
ABP N83 319210	74R2536
ABP N83 319214	74R1856
ABP N83 319218	74R2676
ABP N83 319219	74R5085
ABP N83 319220	74R1856
ABP N83 319224	74R1756
ABP N83 319228	74R2667
ABP N83 319229	74R5087
ABP N83 319230	74R2546
ABP N83 319234	74R1956
ABP N83 319239	74R5089
ABP N83 319244	74R2536
ABP N83 319248	74R1427
ABP N83 319249	74R5091
ABP N83 319254	74R3156
ABP N83 319264	74R2616
ABP N83 319269	74R5050
ABP N83 319270	74R2536
ABP N83 319274	74R3076
ABP N83 319278	74R3536
ABP N83 319284	74R2556
ABP N83 319288	74R4026
ABP N83 319290	74R0906
ABP N83 319294	74R2526
ABP N83 319298	74R0400
ABP N83 319300	74R2667
ABP N83 319304	74R2686
ABP N83 319309	74R5095
ABP N83 319310	74R1756
ABP N83 319314	74R3376

CROSS
REFERENCE

O.E.M. PART NUMBER CROSS REFERENCE

Convert Other Part Numbers to Red Dot Aftermarket Numbers

CROSS
REFERENCE

ALLIANCE	
ABP N83 319315	74R3376
ABP N83 319330	74R1806
ABP N83 319340	74R3316
ABP N83 319344	74R1427
ABP N83 319350	74R3516
ABP N83 319360	74R3356
ABP N83 319370	74R3455
ABP N83 319374	74R2306
ABP N83 319390	74R3330
ABP N83 319394	74R1427
ABP N83 319395	74R3106
ABP N83 319400	74R3309
ABP N83 319414	74R3309
ABP N83 319424	74R3356
ABP N83 319430	74R3306
ABP N83 319434	74R3327
ABP N83 319440	RD-5-6132-0P
ABP N83 319470	74R3106
ABP N83 319494	RD-5-9872-0P
ABP N83 319500	74R3322
ABP N83 319504	74R3076
ABP N83 319505	74R3076
ABP N83 319510	74R3327
ABP N83 319514	74R1756
ABP N83 319524	74R3313
ABP N83 319530	74R5093
ABP N83 319534	74R3126
ABP N83 319544	74R3126
ABP N83 319554	74R3322
ABP N83 319555	74R3322
ABP N83 319560	74R1406
ABP N83 319564	74R2676
ABP N83 319568	74R2681
ABP N83 319574	74R2002
ABP N83 319584	74R3126
ABP N83 319610	74R3310
ABP N83 319614	74R3327
ABP N83 319615	74R3327
ABP N83 319620	74R2106
ABP N83 319624	74R3310
ABP N83 319625	74R3310
ABP N83 319630	74R3346
ABP N83 319632	74R3346
ABP N83 319634	74R2590
ABP N83 319640	74R3450
ABP N83 319644	74R3319
ABP N83 319650	74R3526
ABP N83 319654	74R3313
ABP N83 319660	74R1406
ABP N83 319661	74R1406
ABP N83 319664	74R3313

ALLIANCE	
ABP N83 319665	74R3313
ABP N83 319671	74R1427
ABP N83 319674	74R3126
ABP N83 319675	74R3126
ABP N83 319680	74R1427
ABP N83 319681	74R1437
ABP N83 319684	74R2606
ABP N83 319685	74R2606
ABP N83 319690	74R2616
ABP N83 319694	74R2667
ABP N83 319695	74R2667
ABP N83 319714	74R3330
ABP N83 319715	74R3148
ABP N83 319724	74R3310
ABP N83 319725	74R3310
ABP N83 319734	74R3330
ABP N83 319735	74R3330
ABP N83 319740	74R2716
ABP N83 319744	74R3126
ABP N83 319745	74R3126
ABP N83 319754	74R4210
ABP N83 319755	74R4215
ABP N83 319910	74R3450
ABP N83 319915	74R3455
ABP N83 319920	74R3106
ABP N83 319930	74R2667
ABP N83 319940	74R3140
ABP N83 319949	74R5401
ABP N83 319950	74R5073
ABP N83 320020	71R1702
ABP N83 320050	71R1310
ABP N83 320052	71R1315
ABP N83 320055	71R1320
ABP N83 320060	71R1300
ABP N83 320062	71R1325
ABP N83 320065	71R1330
ABP N83 320080	RD-3-4351-0P
ABP N83 320090	71R1900
ABP N83 320110	70R5110
ABP N83 320120	71R1652
ABP N83 320140	71R1702
ABP N83 320150	71R1902
ABP N83 320155	71R1904
ABP N83 320160	71R1904
ABP N83 320170	71R1802
ABP N83 320180	71R1704
ABP N83 320190	71R1702
ABP N83 320210	71R1922
ABP N83 320220	71R1610
ABP N83 320230	71R1702
ABP N83 320280	71R1704

ALLIANCE	
ABP N83 320290	71R1722
ABP N83 320320	71R1914
ABP N83 320340	71R1922
ABP N83 321000	71R1457
ABP N83 321010	71R1460
ABP N83 321050	RD-6-4682-0P
ABP N83 321060	71R1450
ABP N83 321080	71R1520
ABP N83 321090	RD-6-4661-1P
ABP N83 321100	71R1510
ABP N83 321110	71R1455
ABP N83 321150	71R1460
ABP N83 321170	71R1455
ABP N83 321220	71R1402
ABP N83 321230	RD-6-4662-0P
ABP N83 321300	71R1457
ABP N83 321320	71R4025
ABP N83 321350	71R1455
ABP N83 321370	71R1480
ABP N83 321380	71R1485
ABP N83 322000	71R0460
ABP N83 322003	71R0460
ABP N83 322005	71R0450
ABP N83 322010	71R1610
ABP N83 322013	RD-5-10187-0P
ABP N83 322022	71R6247
ABP N83 322023	71R0485
ABP N83 322025	71R0550
ABP N83 322028	71R6100
ABP N83 322032	71R6249
ABP N83 322035	71R0400
ABP N83 322040	71R0200
ABP N83 322042	71R6251
ABP N83 322045	71R6300
ABP N83 322050	71R0050
ABP N83 322052	71R6253
ABP N83 322055	71R0200
ABP N83 322060	71R0470
ABP N83 322063	71R0475
ABP N83 322067	71R0480
ABP N83 322070	72R0200
ABP N83 322073	72R0210
ABP N83 322075	72R0610
ABP N83 322077	72R0220
ABP N83 322090	72R0190
ABP N83 322095	72R0190
ABP N83 322100	72R0500
ABP N83 322105	71R1200
ABP N83 322113	71R0487
ABP N83 322125	72R0100
ABP N83 322150	71R1160

ALLIANCE	
ABP N83 322165	71R0650
ABP N83 322170	71R0260
ABP N83 322175	71R7600
ABP N83 322180	71R0650
ABP N83 322185	71R0100
ABP N83 322190	71R1150
ABP N83 322195	72R0260
ABP N83 322200	71R7650
ABP N83 322205	71R0600
ABP N83 322215	71R0700
ABP N83 322222	71R0862
ABP N83 322223	71R0852
ABP N83 322224	71R0854
ABP N83 322225	71R0040
ABP N83 322226	71R0512
ABP N83 322227	71R0522
ABP N83 322228	71R0532
ABP N83 322230	RD-5-4284-0P
ABP N83 322232	71R0854
ABP N83 322234	71R0884
ABP N83 322235	71R1654
ABP N83 322240	71R0200
ABP N83 322245	72R0200
ABP N83 322250	71R6130
ABP N83 322255	71R6140
ABP N83 322260	71R6120
ABP N83 322270	71R6300
ABP N83 322275	71R0050
ABP N83 322290	71R1160
ABP N83 322315	71R6220
ABP N83 322320	71R0500
ABP N83 322325	71R0550
ABP N83 322340	71R0400
ABP N83 322345	71R0100
ABP N83 322350	71R0150
ABP N83 322355	71R0300
ABP N83 322375	71R0250
ABP N83 322385	72R1504
ABP N83 322390	72R1502
ABP N83 322395	72R0050
ABP N83 322425	71R1175
ABP N83 322430	71R0470
ABP N83 322435	71R1620
ABP N83 322510	71R1620
ABP N83 322550	71R0050
ABP N83 322580	71R0030
ABP N83 322680	71R1150
ABP N83 322800	71R1170
ABP N83 322817	RD-5-5078-0M
ABP N83 322821	RD-5-6317-0M
ABP N83 322826	RD-5-5988-0M

O.E.M. PART NUMBER CROSS REFERENCE

Convert Other Part Numbers to Red Dot Aftermarket Numbers

ALLIANCE	
ABP N83 322830	RD-5-5073-0M
ABP N83 322831	RD-5-5076-0M
ABP N83 322836	RD-5-6318-0M
ABP N83 322860	79R8950
ABP N83 322925	71R3502
ABP N83 322926	RD-6-4797-1P
ABP N83 322927	RD-6-4676-0P
ABP N83 322957	RD-3-9493-2P
ABP N83 322960	RD-3-6550-0P
ABP N83 322965	71R5112
ABP N83 322970	71R5212
ABP N83 322975	RD-3-3812-2P
ABP N83 322980	RD-3-3997-0P
ABP N83 322985	RD-3-4495-0P
ABP N83 322990	71R5052
ABP N83 322995	71R5062
ABP N83 323000	71R3150
ABP N83 323003	71R2800
ABP N83 323004	71R2605
ABP N83 323008	71R0450
ABP N83 323010	71R2200
ABP N83 323014	71R2700
ABP N83 323018	71R1210
ABP N83 323020	71R3300
ABP N83 323024	71R2800
ABP N83 323028	71R2500
ABP N83 323030	71R3100
ABP N83 323033	RD-3-3725-0P
ABP N83 323034	71R2600
ABP N83 323040	71R3100
ABP N83 323048	71R2250
ABP N83 323050	71R3100
ABP N83 323053	71R3150
ABP N83 323058	71R2250
ABP N83 323060	71R3100
ABP N83 323063	71R1160
ABP N83 323064	71R2700
ABP N83 323065	71R3300
ABP N83 323068	71R2305
ABP N83 323074	71R2605
ABP N83 323078	71R2500
ABP N83 323088	71R2100
ABP N83 323093	71R2700
ABP N83 323098	71R2400
ABP N83 323108	71R2300
ABP N83 323110	71R3100
ABP N83 323118	71R2250
ABP N83 323120	71R3155
ABP N83 323138	71R2310
ABP N83 323140	71R3100
ABP N83 323148	71R1210

ALLIANCE	
ABP N83 323150	71R3125
ABP N83 323178	71R1160
ABP N83 323188	71R2250
ABP N83 323228	71R2200
ABP N83 323238	71R2305
ABP N83 323313	RD-5-8131-0P
ABP N83 324003	72R5220
ABP N83 324005	72R5260
ABP N83 324010	72R5060
ABP N83 324013	72R5230
ABP N83 324015	72R6420
ABP N83 324020	72R5500
ABP N83 324023	72R5240
ABP N83 324025	72R5600
ABP N83 324030	72R5270
ABP N83 324033	72R5250
ABP N83 324043	72R5270
ABP N83 324050	72R5050
ABP N83 324060	72R6420
ABP N83 324065	72R5070
ABP N83 324070	72R5210
ABP N83 324075	RD-5-5495-0P
ABP N83 324080	72R5200
ABP N83 324085	72R2130
ABP N83 324105	72R6400
ABP N83 324110	72R6410
ABP N83 324120	72R5080
ABP N83 324145	72R6530
ABP N83 324150	72R6520
ABP N83 324160	78R5246
ABP N83 324170	72R6400
ABP N83 324180	72R6420
ABP N83 324185	72R5260
ABP N83 324215	72R5040
ABP N83 324280	72R6515
ABP N83 324400	72R6400
ABP N83 324405	RD-5-8804-2P
ABP N83 324410	72R6410
ABP N83 324420	RD-5-8804-1P
ABP N83 324425	72R6515
ABP N83 324430	72R6510
ABP N83 324445	72R5110
ABP N83 324450	72R5360
ABP N83 324452	72R5360
ABP N83 324460	75R5698
ABP N83 324465	75R5691
ABP N83 324470	RD-5-8829-0P
ABP N83 324475	RD-5-8885-0M
ABP N83 324520	72R6540
ABP N83 324530	72R7000
ABP N83 324535	RD-3-9664-0P

ALLIANCE	
ABP N83 324540	RD-3-8638-0P
ABP N83 324545	72R7100
ABP N83 324550	72R6520
ABP N83 324555	72R6530
ABP N83 324560	72R6425
ABP N83 324565	72R6410
ABP N83 324570	72R6520
ABP N83 324575	72R7105
ABP N83 324580	72R6530
ABP N83 324600	72R6535
ABP N83 324620	72R6547
ABP N83 325021	79R4400
ABP N83 325022	75R5815
ABP N83 325023	RD-2-1398-0P
ABP N83 325034	78R5000
ABP N83 325035	78R5100
ABP N83 325036	78R5110
ABP N83 325041	78R1605
ABP N83 325046	R-8230-0P
ABP N83 325047	75R6040
ABP N83 325049	78R1470
ABP N83 325050	70R5110
ABP N83 325051	78R1505
ABP N83 325056	78R1705
ABP N83 325057	75R9180
ABP N83 325068	RD-5-4825-11P
ABP N83 325069	RD-5-4825-15P
ABP N83 325073	75R9060
ABP N83 325077	75R9795
ABP N83 325078	75R9675
ABP N83 325079	75R9715
ABP N83 325080	75R9000
ABP N83 325081	75R9010
ABP N83 325084	75R9100
ABP N83 325087	75R9540
ABP N83 325089	75R9780
ABP N83 325090	75R9790
ABP N83 325092	75R9515
ABP N83 325093	75R9535
ABP N83 325094	75R9575
ABP N83 325095	75R9585
ABP N83 325096	75R9595
ABP N83 325097	75R9605
ABP N83 325098	75R9615
ABP N83 325099	75R9635
ABP N83 325100	75R9645
ABP N83 325103	75R9920
ABP N83 325104	75R9940
ABP N83 325105	75R9670
ABP N83 325109	75R9220
ABP N83 325114	75R9890

ALLIANCE	
ABP N83 325115	75R9900
ABP N83 325116	75R9910
ABP N83 325118	75R9980
ABP N83 325120	75R6020
ABP N83 325121	75R6030
ABP N83 325122	75R9545
ABP N83 325123	75R9625
ABP N83 325124	75R6015
ABP N83 325126	75R9970
ABP N83 325127	75R9785
ABP N83 325128	77R9000
ABP N83 325129	75R9730
ABP N83 325133	75R9950
ABP N83 325141	78R2100
ABP N83 325142	77R7702
ABP N83 325143	77R9010
ABP N83 325159	79R1650
ABP N83 325160	78R1025
ABP N83 325162	78R1005
ABP N83 325165	75R9633
ABP N83 325190	RD-5-6052-0P
ABP N83 325192	78R1070
ABP N83 325195	70R5005
ABP N83 325196	70R5010
ABP N83 325197	79R8940
ABP N83 325198	RD-2-3673-0P
ABP N83 325215	RD-5-11558-0P
ABP N83 325220	70R9903
ABP N83 325405	RD-5-9113-0P
ABP N83 325510	79R4600
ABP N83 325511	79R4615
ABP N83 325513	79R4605
ABP N83 325900	RD-5-8641-0P
ABP N83 325901	RD-5-8641-1P
ABP N83 325902	RD-5-8705-0P
ABP N83 325904	RD-3-5555-0P
ABP N83 325905	RD-5-6211-0P
ABP N83 325920	71R8902
ABP N83 325925	71R8903
ABP N83 325950	75R9530
ABP N83 325953	75R9560
ABP N83 325954	75R9550
ABP N83 325955	75R9985
ABP N83 325960	RD-1-1654-0P
ABP N83 326008	79R4595
ABP N83 326009	79R4595
ABP N83 326013	79R4580
ABP N83 326016	70R2301
ABP N83 326022	79R4700
ABP N83 326023	79R4587
ABP N83 326024	79R4710

CROSS
REFERENCE

O.E.M. PART NUMBER CROSS REFERENCE

Convert Other Part Numbers to Red Dot Aftermarket Numbers

CROSS
REFERENCE

ALLIANCE	
ABP N83 326025	79R4650
ABP N83 326045	79R4655
ABP N83 326050	79R4561
ABP N83 326051	79R4563
ABP N83 326052	79R4562
ABP N83 326053	79R4595
ABP N83 326055	79R4580
ABP N83 326056	79R4585
ABP N83 326057	79R4550
ABP N83 326060	79R5035
ABP N83 326100	79R4553
ABP N83 326110	79R4555
ABP N83 327005	79R1525
ABP N83 327015	79R1520
ABP N83 327050	RD-4-4529-1P
ABP N83 327070	79R1255
ABP N83 327090	79R1010
ABP N83 327095	79R1020
ABP N83 327100	71R3550
ABP N83 327107	79R1153
ABP N83 327112	79R4597
ABP N83 327157	79R1560
ABP N83 327170	71R1252
ABP N83 327175	71R1254
ABP N83 327177	79R1565
ABP N83 327195	RD-5-4066-0P
ABP N83 327280	79R5901
ABP N83 327302	71R8455
ABP N83 327305	79R4040
ABP N83 327306	79R4020
ABP N83 327308	79R4040
ABP N83 327310	70R5000
ABP N83 327315	79R0020
ABP N83 327330	79R0010
ABP N83 327346	72R7600
ABP N83 327347	72R7700
ABP N83 327348	72R8200
ABP N83 327349	RD-5-5505-62.50P
ABP N83 327350	72R8250
ABP N83 327354	72R8250
ABP N83 327355	72R8270
ABP N83 327361	72R8250
ABP N83 327362	72R8315
ABP N83 327363	72R8360
ABP N83 327364	72R8400
ABP N83 327366	72R8410
ABP N83 327367	72R8280
ABP N83 327368	RD-5-4776-0P
ABP N83 327369	RD-4124-25P
ABP N83 327371	78R5310
ABP N83 327372	72R8255

ALLIANCE	
ABP N83 327379	72R9005
ABP N83 327400	79R0110
ABP N83 327405	79R0120
ABP N83 327415	79R0140
ABP N83 327420	79R0165
ABP N83 327421	79R0160
ABP N83 327425	79R1730
ABP N83 327426	79R0111
ABP N83 327430	79R0103
ABP N83 327435	79R0101
ABP N83 327440	79R0170
ABP N83 327450	79R0180
ABP N83 327460	79R0107
ABP N83 327461	79R0109
ABP N83 327465	79R1660
ABP N83 327480	79R3162
ABP N83 327481	79R3164
ABP N83 327482	79R3166
ABP N83 327483	79R3165
ABP N83 327484	79R3161
ABP N83 327485	79R3163
ABP N83 327486	79R3175
ABP N83 327487	79R3173
ABP N83 327488	79R3171
ABP N83 327489	79R3176
ABP N83 327490	79R3174
ABP N83 327491	79R3172
ABP N83 327492	79R2921
ABP N83 327493	79R2923
ABP N83 327495	79R0190
ABP N83 327496	79R0195
ABP N83 327497	79R2925
ABP N83 327520	79R3178
ABP N83 327525	79R3179
ABP N83 327530	79R0100
ABP N83 327535	79R0102
ABP N83 327540	79R0125
ABP N83 327541	79R0138
ABP N83 327542	79R0150
ABP N83 327543	79R0225
ABP N83 327544	79R0241
ABP N83 327545	79R0250
ABP N83 327546	79R0258
ABP N83 327552	79R3129
ABP N83 327555	79R3120
ABP N83 327571	79R3583
ABP N83 327573	79R3576
ABP N83 327580	79R3178
ABP N83 327585	79R3179
ABP N83 327586	79R3178
ABP N83 327587	79R3179

ALLIANCE	
ABP N83 327590	79R3121
ABP N83 327595	79R3123
ABP N83 327605	79R3125
ABP N83 327615	79R3127
ABP N83 327616	79R9516
ABP N83 327621	79R1541
ABP N83 327626	79R1516
ABP N83 327628	79R1518
ABP N83 327631	79R1521
ABP N83 327632	79R1536
ABP N83 327640	79R1911
ABP N83 327655	79R1800
ABP N83 327660	79R1710
ABP N83 327680	79R6020
ABP N83 327690	79R6050
ABP N83 327721	79R1521
ABP N83 327726	79R1516
ABP N83 327728	79R1518
ABP N83 327731	79R9521
ABP N83 327732	79R1521
ABP N83 327736	79R9516
ABP N83 327738	79R9518
ABP N83 327750	79R1810
ABP N83 327755	79R1815
ABP N83 327760	79R1820
ABP N83 327765	79R1825
ABP N83 327830	72R9000
ABP N83 327835	RD-5-7999-1P
ABP N83 327850	RD-5-8310-32P
ABP N83 327860	RD-5-8043-15.50P
ABP N83 327870	RD-5-8310-40P
ABP N83 327880	RD-6-5120-0P
ABP N83 327881	RD-6-5120-1P
ABP N83 327890	RD-5-6410-72P
ABP N83 327895	79R6070
ABP N83 327905	79R1520
ABP N83 327910	79R1720
ABP N83 327915	79R1525
ABP N83 327920	79R3580
ABP N83 327930	79R3587
ABP N83 327940	79R3586
ABP N83 327950	79R5032
ABP N83 327960	79R5033
ABP N83 327965	79R3585
ABP N83 327975	79R3590
ABP N83 327976	79R3591
ABP N83 327980	79R8915
ABP N83 327981	79R8920
ABP N83 327982	79R8930
ABP N83 327983	79R8930
ABP N83 327985	79R3581

ALLIANCE	
ABP N83 327986	79R3595
ABP N83 327987	79R3593
ABP N83 327988	79R3597
ABP N83 327990	79R8916
ABP N83 328008	RD-1-0352-0P
ABP N83 328009	RD-1-0793-4P
ABP N83 328053	RD-2-1240-0P
ABP N83 328058	78R5253
ABP N83 328061	78R5305M
ABP N83 328063	RD-2-1297-0P
ABP N83 328077	RD-2-1290-0P
ABP N83 328083	RD-5-5800-0P
ABP N83 328085	78R5400
ABP N83 328086	RD-3-1141-3P
ABP N83 328093	RD-5-7580-0P
ABP N83 328095	78R5300
ABP N83 328096	RD-3-5310-0P
ABP N83 328137	RD-2-1302-0P
ABP N83 328141	RD-11-0155-0P
ABP N83 328142	RD-1-1651-0P
ABP N83 328143	RD-2-3279-0P
ABP N83 328145	RD-3-10112-0P
ABP N83 328146	RD-1-0639-0P
ABP N83 328151	RD-3-6060-0P
ABP N83 328156	RD-3-5310-1P
ABP N83 328166	RD-2-1189-0P
ABP N83 328169	RD-3-3321-0P
ABP N83 328184	78R5245
ABP N83 328189	RD-3-3322-2P
ABP N83 328194	78R5236
ABP N83 328195	78R5252
ABP N83 328199	RD-3-3323-2P
ABP N83 328202	78R5238
ABP N83 328203	78R5255
ABP N83 328204	78R5254
ABP N83 328205	78R5257
ABP N83 328209	RD-3-5177-0P
ABP N83 328212	78R5241
ABP N83 328213	78R5258
ABP N83 328214	78R5256
ABP N83 328215	78R5249
ABP N83 328218	78R5250
ABP N83 328219	RD-3-5178-0P
ABP N83 328221	78R5251
ABP N83 328222	78R5315
ABP N83 328223	78R5244
ABP N83 328225	78R5420
ABP N83 328227	78R5318
ABP N83 328229	RD-3-5964-0P
ABP N83 328231	78R5248
ABP N83 328232	78R5353

O.E.M. PART NUMBER CROSS REFERENCE

Convert Other Part Numbers to Red Dot Aftermarket Numbers

ALLIANCE	
ABP N83 328233	78R5291
ABP N83 328235	78R5240
ABP N83 328237	78R5363
ABP N83 328238	78R5351
ABP N83 328240	78R5320
ABP N83 328241	78R5360
ABP N83 328242	78R5330
ABP N83 328243	78R5361
ABP N83 328244	78R5350
ABP N83 328245	78R5340
ABP N83 328247	78R5309
ABP N83 328251	78R5200
ABP N83 328252	78R5210
ABP N83 328253	78R5313
ABP N83 328254	78R5375
ABP N83 328255	78R5390
ABP N83 328257	78R5301
ABP N83 328258	78R5370
ABP N83 328259	71R8910
ABP N83 328265	78R5302
ABP N83 328275	78R5304
ABP N83 328285	78R5306M
ABP N83 328295	78R5308
ABP N83 328355	71R3570
ABP N83 328360	RD-5-3855-1P
ABP N83 328365	78R5243
ABP N83 328370	RD-5-4636-0P
ABP N83 328375	78R5430
ABP N83 328376	RD-3-1141-2P
ABP N83 328385	78R5237
ABP N83 328396	RD-4-3882-0P
ABP N83 328409	71R8920
ABP N83 328419	71R8925
ABP N83 328456	RD-5-3781-0P
ABP N83 328466	RD-5-4031-0P
ABP N83 328486	RD-5-4718-0P
ABP N83 328496	RD-5-4743-0P
ABP N83 328506	RD-3169-5P
ABP N83 328606	79R4008
ABP N83 328610	79R0105
ABP N83 328716	RD-1-0366-0P
ABP N83 328719	78R5005
ABP N83 328720	78R5004
ABP N83 328721	RD-5-5150-0P
ABP N83 328722	RD-5-6423-0P
ABP N83 328736	RD-2-3515-0P
ABP N83 328862	78R5008
ABP N83 901931	73R0092
G83-304061	RD-5-8638-1P
SKI 4893	75R81652Q

ALLIS CHALMERS AGCO	
024 21590	75R1202
0256818-6	74R2536
0257334-3	71R6300
0257336-8	73R4162
0268464-5	74R4116
0272229-9	71R2300
0586082-0	71R1210
1162474-9	71R2250
1182664, -1, -4	75R3452
1183560, BSM205620, 275130	73R0442
2084050-0	75R4502
2085169	75R0202
268464-02	74R0400
275130	73R0442
275152	73R4182
31134-300	71R8050
475262-3	71R1210
70264650	71R6050
70577454	71R1210
71195109	71R1160
71504287-5	71R8100
72161644-9	71R6070
72161835-3	74R2106
72162165-4	71R6050
72162178-7	75R0202
72215919-1	75R0202

AMERICAN LA FRANCE	
18-36232-020	RD-1-1647-1P
18-36233-010	RD-1-1648-1P
18-36233-020	RD-1-1650-1P
18-37270-010	RD-1-1719-1P
18-40530-010	RD-1-1940-1P
18-42436-000	RD-1-2095-1P
18-42436-001	RD-1-2096-1P
18-42437-000	RD-1-2097-1P
18-42437-001	RD-1-2098-1P
18-58413-000	RD-3-5180-0P
22-45701-000	RD-5-8766-2P
22-45701-001	RD-5-8767-2P
22-47387-000	RD-2-3263-32P
22-47388-000	RD-2-3262-51.50P
22-47441-000	RD-5-8809-0P
22-47469-000	RD-2-3145-0P
22-47486-000	RD-2-3272-0P
22-47519-000	RD-2-3039-1P
22-47520-000	RD-2-3045-2P
2247641-000	RD-2-3282-0P
22-47641-000	RD-2-3282-0P
22-47806-000	RD-3-8363-1P
22-48050-000	RD-2-3676-0P
22-49764-000	RD-2-3516-1P
22-51012-000	RD-4-5487-0P
22-52759-000	RD-2-3624-0P
22-54594-000	RD-3-9818-0P
22-54637-000	R-9715-6P
22-60725-000	78R5253
2500-000014-0000	RD-3-13630-0P
2500-000015-0000	RD-3-13569-0P
2500-000095-0000	RD-3-14650-0P
2500-000125-0000	R-2540-0P
A18-40530-000	RD-1-1940-1P
A18-47428-000	RD-1-2377-0P
A18-47429-000	RD-1-2378-0P
A18-57548-000	RD-3-12440-0P
A22-61722-000	R-4500-15P
ABP N83 301177	RD-5-8759-0P
ABP N83 307990	RD-2-3203-0P
ABP N83 322190	71R1150

BERGSTROM	
1000198469	71R6175
1000226915	74R5088
108296	76R2600
108298	76R3250
108302	76R2300
108303	76R2350
108304	76R3400
108305	76R3460
108307	76R2400
108309	76R2210
108312	76R3300
108313	76R4000
108315	76R3930
108316	76R2320
108317	76R2340
108321	76R1900
108367	76R2155
151280	76R6960
151328	76R6960
151355	76R7050
151356	76R6150
151357	76R6110
151361	76R6310
151364	76R5000
151365	76R6700
151366	76R6950
151367	76R6180
151371	76R5600
151372	76R6350
151373	76R6000
151374	76R6850
151378	76R7510
151379	76R6140
151381	76R6300
151382	76R7070
151383	76R7010
151414	76R7040
160004	77R0900
160005	77R7708
160006	77R7900
160007	77R0650
160011	77R0950
160012	77R1100
160015	77R5350
160051	77R1150
160055	77R1175
160092	77R0560
160111	77R6930
160117	77R6935
160125	77R6925
160126	77R6965

CROSS
REFERENCE

O.E.M. PART NUMBER CROSS REFERENCE

Convert Other Part Numbers to Red Dot Aftermarket Numbers

CROSS
REFERENCE

BERGSTROM		BERGSTROM		BERGSTROM		BERGSTROM	
160128	77R6985	203204	73R0222	525688	75R8292	540065	71R6050
160144	77R6805	203209	73R0432	525689	75R8292	540071	74R2606
160145	77R5245	203211	73R0322	525691	75R81472	540072	74R3327
160149	77R7710	203212	73R4252	525692	75R81472	540073	74R3319
160151	77R7704	203213	73R0962	525693	75R84492	540075	74R0906
160154	77R1105	203217	73R0662	525694	75R81472	540076	74R3309
160155	77R7706	203221	73R0062	525695	75R8342	540077	74R3330
160156	77R7712	203224	73R0912	525696	75R8322	540078	74R2306
160157	77R0150	203225	73R0702	525698	75R8442	540082	72R1200
160159	77R5270	203268	73R5562	525712	71R8500	540087	74R0906
160172	77R1150	203350	73R0364	525722	75R81582	540088	74R2667
160189	77R8200	203354	73R5592	525723	75R8422	540091	74R2667
160199	77R6977	203357	73R9062	525724	75R84482	540092	74R3330
201520	73R0552	203389	73R0612	525725	75R8222	540094	74R3306
20152P	73R0552	205780	73R4182	525726	75R8222	540095	74R3306
202020	73R0602	206085	73R4322	525732	75R8292	540096	74R3356
20202P	73R0602	220635	71R1150	525741	75R7280	540097	74R2556
203020	73R0552	2214003	71R6175	525742	75R7290	540098	74R3346
203046	73R2102	223144	71R1455	525743	75R7312	540101	74R3346
203061	73R4182	223151	71R6210	525748	75R84492	540102	74R3322
203067	73R0642	223153	71R1150	525751	75R84492	540103	74R3076
203070	73R4182	274281	73R5562	525759	75R8292	540106	74R2556
203075	73R0912	280446	76R2400	525761	74R5050	540107	74R3450
203080	73R4182	301137	73R3062	525784	78R5235	540111	74R2706
203088	73R0142	301252	73R4322	525858	75R8532	540115	74R1756
203097	73R4162	301527	73R3022	525915	75R8272	540116	74R3106
203115	73R2222	302011	73R6253	525917	75R8612	540121	74R2676
203125	73R0662	304022	75R8292	525960	75R85032	540122	74R3106
203126	73R0612	304032	75R8322	525974	75R85032	540126	74R2676
203132	73R0532	313010	71R2200	525976	75R8702	540127	74R3455
203133	73R0402	319270	74R2576	525997	75R81502	540128	71R8321
203134	73R4322	323030	71R2200	526024	74R3060	540131	71R8210
203139	73R0222	324145	72R6530	526047	75R8384	540132	71R8090
203142	73R0612	402820	74R3310	526333	74R5097	540133	71R8210
203144	73R2212	510027	73R6253	526357	75R81192	540152	74R2616
203154	73R4424	510037	73R7130	526374	75R89352	540153	74R2536
203156	73R2102	511575	75R0182	526383	75R89392	540172	71R8080
203168	RD-5-9102-0P	511587	75R1412	526388	75R89474	540174	71R8321
203169	73R0202	520533A	75R1652	530755	75R8520	540175	71R8050
203172	73R4252	525047	71R4010	530756	75R8515	540185	75R5628
203173	73R0702	525335	71R2200	540018	71R8505	540186	75R5651
203174	73R0532	525507	78R5420	540021	71R8321	540188	75R5601
203176	73R2152	525543	78R5308	540022	71R8080	540193	75R5718
203177	73R0462	525614	72R8250	540027	71R8080	540194	75R5711
203178	73R0422	525615	72R8280	540044	71R8405	540197	75R5658
203181	73R2202	525648	79R4595	540057	71R8430	540198	75R5621
203183	73R0232	525674	70R5020	540058	71R8100	540204	75R5728
203184	73R4162	525674-SF	70R5020	540060	74R1756	540205	75R5721
203187	73R4602	525677	79R4561	540061	74R3476	540206	75R5698
203193	73R0102	525678	79R4561	540062	74R1806	540207	75R5691
203198	73R4182	525683	79R4580	540064	74R2536	540208	75R5688

O.E.M. PART NUMBER CROSS REFERENCE

Convert Other Part Numbers to Red Dot Aftermarket Numbers

BERGSTROM	
540209	75R5681
540213	75R5570
540214	75R5648
540215	75R5641
540217	75R5731
540227	75R5808
540228	75R5801
540229	75R5700
540231	75R5705
540233	74R1806
540234	74R1856
540235	74R1956
540237	74R2526
540239	74R1856
540242	74R1406
540252	74R3377
540254	71R8415
540255	71R8405
540259	75R5668
540260	75R5661
540264	71R8090
540265	71R8503
540266	71R8504
540267	71R8506
540268	71R8501
540274	71R8440
540275	71R8321
540293	71R8350
540299	74R1406
540322	74R3126
540426	74R2676
541177	74R3330
541653	75R2702
550231	70R4206
550232	70R4208
550233	70R4201
550234	70R4202
550239	70R4296
550241	70R4298
550242	70R4291
550243	70R4292
550252	75R5560
550266	70R4406
550267	70R4408
550268	70R4401
550269	70R4402
550270	70R7006
550271	70R7008S
550276	70R6496S
550279	70R2076
550280	70R2078

BERGSTROM	
550281	70R2071
550282	70R2072
550284	75R5827
550285	75R5815
550289	70R4306
550290	70R4308
550291	70R4301
550292	70R4346
550293	70R4348
550294	70R4341
550295	70R4342
550296	70R4396
550297	70R4398
550298	70R4391
550299	70R4392
550300	70R4406
550301	70R4448
550302	70R4441
550303	70R4442
550304	70R4496
550305	70R4491
550306	78R0456
550307	78R0458
550308	78R0451
550309	70R7006
550312	70R4106
550313	70R4108
550314	70R4101
550315	70R4102
550320	70R4546
550321	70R4198
550322	70R4191
550323	70R4192
550324	70R4996
550330	70R4998
550331	70R4991
550332	70R2096
550333	70R2096
550334	70R2098
550335	70R2098
550336	70R2092
550337	70R2086
550338	70R2088
550339	70R2081
550340	70R2082
550342	79R1525
550343	79R1520
550345	70R4701
550346	70R4691
550347	70R2406
550348	70R2408

BERGSTROM	
550349	70R2401
550350	70R6006
550351	70R6008
550352	70R6001
550353	70R6096
550354	70R6098
550355	70R6091
550367	70R5005
550387	75R5820
550388	75R5819
550392	75R5570
550393	75R5560
550394	75R5824
550395	75R5510
550396	75R5512
550397	70R5120
550398	70R5125
550399	75R5560
550402	79R1650
550414	70R2016
550415	70R2018
550416	70R2011
550432	79R4600
550434	79R4605
550435	79R4615
550503	75R5819
550523	70R2076
550600	70R4608
551023	70R6446S
551060	70R4798
551268	70R8281
558403	70R5110
560145	78R8456
562292	75R4352
5638P	71R8100
564700	70R5058
570120	70R5056
570141	79R4400
570420	74R2106
57042P	74R1756
572770	70R5051
575080	73R8080
575725	75R8222
576270	71R8100
580087	70R5057
580088	70R5046
580094	75R5520
580123	70R5056
580124	70R5058
580210	70R5052
585520	72R2350

BERGSTROM	
589500	71R8400
589880	72R8270
591510	72R0070
606063	75R8532
606101	75R8222
627001	79R4561
627002	79R4562
627003	79R4563
627006	79R4580
650100	71R1610
650117	71R2605
650149	71R2800
650163	71R3100
650172	71R1457
650175	71R1922
650177	71R1460
650179	71R1457
650195	71R3300
650203	71R6020
650204	71R6183
650417	71R3300
650418	71R6405
650419	71R6400
650438	71R0450
650439	71R0470
650441	71R1450
650448	71R7050
650449	71R7500
650451	75R0612
650453	71R7650
650476	71R3100
650477	71R1460
650481	75R4502
650483	75R0452
650484	75R3002
650485	75R4652
650487	75R0302
650488	75R1652
650489	75R2702
650491	75R2702
650492	75R1802
650494	75R3602
650495	75R2402
650496	75R4502
650497	75R4352
650498	75R4352
650502	75R1412
650504	75R0252
650505	75R0182
650506	75R1422
650507	75R0252

CROSS REFERENCE

O.E.M. PART NUMBER CROSS REFERENCE

Convert Other Part Numbers to Red Dot Aftermarket Numbers

CROSS
REFERENCE

BERGSTROM	
650511	71R3150
650513	75R4534
650514	75R4734
650515	75R0452
650516	75R4742
650517	75R4782
650519	75R4752
650524	75R4772
650525	75R0202
650528	75R0152
650533	75R2552
650534	75R3602
650535	75R4052
650536	75R1402
650542	75R4762
650543	75R0302
650544	75R1222
650545	75R0612
650546	75R0662
650547	75R1342
650564	71R2600
650591	71R6095
650594	71R6090
650596	71R6230
650597	71R6090
650598	71R6120
650602	71R6257
650607	71R0480
650609	71R1150
650612	71R1460
650627	71R7650
650629	71R6040
650631	71R6070
650632	71R6030
650633	71R7550
650634	71R7500
650635	71R7000
650636	71R7050
650637	71R1922
650639	71R1210
650641	71R1210
650642	71R0550
650643	71R0100
650644	71R0400
650645	71R0200
650646	71R6300
650647	71R0050
650648	71R2250
650649	71R2300
650651	71R2500
650653	71R2305

BERGSTROM	
650654	71R2250
650655	71R0400
650687	71R1702
650690	71R1704
650719	71R6020
650731	71R1722
650761	71R6422
650763	71R6430
650764	71R6452
650790	71R1450
650800	71R6470
650802	71R6426
650805	71R6450
650808	71R6418
650810	71R6432
650819	71R6475
650823	71R1455
650854	71R2700
650867	75R0502
650868	75R1302
650869	71R7075
650870	71R7077
650871	71R0480
650878	71R3100
650890	71R9002
650892	75R0202
65089P	71R9002
650912	71R6571
650923	75R0662
650954	72R0210
651020	71R6210
651150	71R1702
651154	72R0210
651273	71R3575
651323	71R6180
651324	71R6170
651332	71R6210
651390	71R2250
651690S	71R1150
652090	71R0460
652090?	71R0460
652100	71R1610
652420	71R1702
670731	71R1722
695014	72R1210
756726	73R9052
756727	73R9082
756728	73R9082
756737	73R9062
789880	72R8270
867559	71R6070

BERGSTROM	
867855	72R6520
868013	73R3032
868541	73R4532
868652	72R6525
868790	73R3002
868820	72R6400
868822	72R6420
868823	72R5260
869121	75R6510
869445	73R3102
869617	72R5040
869621	72R5050
869637	72R5070
869855	72R6515
890050	73R0222
890063	73R2102
890066	71R8510
890067	73R3062
890068	73R0222
B402892	75R8662

BLUEBIRD	
00033722	73R7130
00035861	73R4312
00035868	71R1457
00063509	71R8380
00063511	71R3160
00084864	74R1756
00090180	72R3135
00090190	71R3220
00090192	71R1702
00090197	71R9002
00104121	73R0142
00114540	73R0652
0015318	71R8301
0057157	73R0142
0086033	73R5502
0105366	73R5552
013240124	70R7100
01494897	71R4105
020140100	72R5500
0228072	73R0652
04300026	71R1702
04316238	73R0232
04316246	73R0642
04320925	71R1160
08303141	71R1150
08304610	73R4162
11-00059	RD-5-8705-OP
1438480	73R0082
1601681	71R1457
4316295	71R1463
935494	73R0022

O.E.M. PART NUMBER CROSS REFERENCE

Convert Other Part Numbers to Red Dot Aftermarket Numbers

CARRIER/MCC	
101-101	71R8050
101-143	73R4102
101-302	74R2106
111-051	73R2300
113-006	71R1150
14-00203-00	74R0480
14-00288-00	74R0480
14-00301-03	71R8301
14-00326-05	RD-5-15710-OP
14-01063-05	74R0485
17-31244-00	75R8672Q
17-31248-00	75R8662
17-31252-00	75R0082
17-31253-00	75R4782
17-31262-00	75R4792
17-31311-00	75R86142Q
18-00074-36	75R85632
18-00093-00	75R8422
18-00093-02	75R81482
18-00093-04	75R81282
18-00093-05	75R8702
18-00093-07	75R8712
18-00093-13	75R85102Q
18-00093-14	75R89462
18-10123-00	75R86142Q
18-10123-04	75R86142Q
18-10123-05	75R86144
18-60012-11	75R8662
18-60012-12	75R8672Q
201-300	71R1160
201-305	71R1165
201-402	71R6050
201-407	71R6070
201-804	71R1704
20-210019	71R8321
221-568	71R1702
221-711	71R1704
301-101	78R0458
301-102	78R0451
301-103	78R0452
301-409	70R2402
301-410	70R2038
301-412	70R2018
301-413	70R2011
301-414	70R2012
301-418	70R4498
301-419	70R4698
301-424	70R4396
301-426	70R4298
301-432	70R2408
301-433	70R4696

CARRIER/MCC	
301-436	70R6098S
301-444	70R2406
301-447	70R4608
301-450	70R2016
301-455	70R2036
301-462	70R4496
301-463	70R4406
301-464	70R4606
301-473	70R4491
301-482	70R4408
301-486	70R6091S
302-400	70R2118
302-432	70R4691
302-436P	70R2072S
302-437P	70R2071S
311-007	78R0458
311-008	78R0451
311-009	78R0452
313-176	70R4691
313-177	70R4698
313-178	70R4491
313-179	70R4608
313-184	70R2408
313-185	70R4498
313-189	70R4701S
313-195	70R2072S
313-197	70R2071S
313-208	70R4408
313-212	70R4696
313-219	70R4496
313-224	70R2402
313-231	70R4606
313-252	70R2018
313-253	70R2011
313-254	70R2012
38-00564-50	73R7220
401-100	73R8712
501-200A	75R81702
501-218	75R8520
501-266	75R85632
501-266A	75R85632
501-268A	75R86152
501-271A	75R8512
501-275A	75R8614
501-276A	75R8702
501-282A	75R81582
501-289A	75R81512
501-289B	75R81512
501-291	75R0082
501-292	75R0262
501-293	75R0252

CARRIER/MCC	
501-294	75R0274
501-298	75R81502
502-209	75R85932
502-210	75R8702
502-210A	75R8702
502-212	75R1432
502-214A	75R81252
502-220	75R8712
518-002	70R5056
518-003	70R5058
54-50098-00Z	RD-5-8705-OP
65-00193-00	74R0475
76-62003-00	75R8672Q
76-62043-04	75R86212Q
76-62043-99	75R85032Q
76-62154-04	75R86142Q
76-62154-05	75R86142Q
76-62164-05	75R86142Q
801-201	70R5056
801-202	70R5058
801-203	70R5051
801-217	70R5052
AC101-100	71R8301
AC101-102	71R8100
AC101-107	71R8301
AC201-305	71R1165
AC501-266	75R85032Q
AC501-266A	75R85032Q
AC501-268	75R86172Q
AC501-275A	75R8614Q
AC502-220	75R8712Q
AC512-043	75R85032Q
AC512-044	75R85032Q
AC512-054	75R86172Q
AC512-055	75R86172Q
AC512-056	75R86172Q
AC512-075	75R85032Q
AC512-076	75R85032Q
AC512-082	75R86172Q
AC512-087	75R86172Q
AC512-107	75R86172Q
AC512-125	75R85032Q
AC512-130	75R8632Q
AC801-202	70R8505
AC801-203	70R5051
BLW-200-41	73R5772
DRI-104	74R0475
MTR-105P	73R8722
MTR-140V	73R8712

CASE	
01-784010	71R2300
088214-00, 088214-03	74R3107
09801449	70R5051
09824775	75R84522
09843212	72R3601
09853208	RD-2-2854-OP
1065122	75R81274
109268C2	71R2300
111218-C1, 539049-R1, R91	74R4017
1131243, 12301930, 31, 509170-	
75R8102	
1149484	75R81492
1149487	75R81492
117783-C1	73R0532
118161C91	75R3452
118321C1	71R8301
1280333C2	71R8100
134552C1	74R2106
1-3759	75R0202
1419676	75R84594
143405C91	75R4502
143464-C2, 143469-C2	74R4027
143464-C2, 143469-C2, 1990758-	
74R4027	
143469C1	74R4026
143469C2	74R4026
155491C91	71R6300
162008	75R4502
1630872	75R81114
168822C1-C2	71R1163
168822C2	71R1160
168902C1	71R2250
168903C91	71R8210
175575C1	71R2250
1789570	75R81402
1835106	75R81134
1924004C1	75R7280
1974779C1	73R4252
1990755C3	75R84112
1990756C1	71R8321
1990756C2	71R8321
1990758C2	74R4026
1990758-C2	74R4027
1990760C2	75R81334
1999755C2	75R84112
1999755C3	75R84112
1999760C2	75R81334
20179C1	71R8210
2180234	75R84594
2807-508-043	73R0092

CROSS
REFERENCE

O.E.M. PART NUMBER CROSS REFERENCE

Convert Other Part Numbers to Red Dot Aftermarket Numbers

CROSS REFERENCE

CASE	CATERPILLAR	CATERPILLAR	CATERPILLAR			
2G0409, 8P9982,	0539296	73R0032	232-8032	70R4302S	232-8225	70R8646
9G0393, 9G0397	088193-03	74R2677	232-8040	70R4342S	232-8226	70R8648
301395C91	088209-02, 106-5534, 406217, 574R3517	74R3517	232-8044	70R4348S	232-8227	70R8691
317008A3	088209-02, 106-5534, 5V5698	74R3517	232-8048	70R4392S	232-8228	70R8692
34345	088273-00	74R1106	232-8061	70R4416S	232-8229	70R8696
352524A2	088411-01	74R0462	232-8082	70R4508S	232-8230	70R8698
417888C92	088423-00, RD-5-7061-1	74R2537	232-8087	70R4591S	232-8231	70R8701
4513, 6631, 9264	101-1759	75R81184	232-8091	70R4598S	232-8232	70R8706
4611, 1999760C2, 86993967	101-1795	75R81184	232-8096	70R4606S	232-8233	70R8708
4660	101-8789	74R5061	232-8098	70R4608S	232-8234	70R8711
4709, 7862, 8023	106-5122	75R81274	232-8101	70R4646S	232-8235	70R8716
4711, 8103	106-5532, 106-5533, 8T8642, 9W	74R3527	232-8106	70R4696S	232-8236	70R8761
539047-R2	106-5533	74R3526	232-8108	70R4698S	232-8237	70R8781
539049R1	106-5534	74R3516	232-8112	70R4706S	232-8238	70R8786
647669C1	107-6070	71R0884	232-8114	70R4791S	232-8239	70R8788
65338C91	114-5333	71R6157	232-8116	70R4796S	232-8240	70R8791
66390-C1	114-9484	75R81492	232-8127	70R5052	232-8241	70R8796
66398C1	114-9676	75R84594	232-8169	70R7002S	232-8242	70R8798
700713317	114-9887	75R81492	232-8188	70R8001	232-8243	70R8801
76047005	134-3997	75R81184	232-8189	70R8002	232-8244	70R8802
80417384	141-9676	75R84594	232-8190	70R8006	232-8245	70R8806
80430411	146-6371	72R3135	232-8191	70R8008	232-8246	70R8808
8478, 9119	163-0872	75R81114	232-8192	70R8091	232-8247	70R8821
86013101	168903C1-C91	71R8210	232-8193	70R8092	232-8248	70R8822
86014820	1707272	78R5243	232-8194	70R8096	232-8249	70R8826
86026350	170-7272	78R5243	232-8195	70R8098	232-8250	70R8828
86983967	174-1494	73R4274	232-8197	70R8198	232-8345	71R0030
86983968	175-7162	74R0470	232-8198	70R8211	232-8357	71R0453
86992688	1785545	75R9044	232-8199	70R8212	232-8360	71R0480
86993462	178-5545	75R9044	232-8200	70R8216	232-8361	71R0500
86993463	178-9570	75R81402	232-8201	70R8218	232-8389	71R1401
87424875	183-5106	75R81134	232-8202	70R8241	232-8390	71R1402
916384C1	206-7398	71R4020	232-8203	70R8242	232-8391	71R1403
98370C3	218-0234	75R84594	232-8204	70R8246	232-8392	71R1404
A42625, RD-5-5862-0,	218-0324	75R84594	232-8205	70R8248	232-8393	71R1405
469475-C1	218-2277	74R2526	232-8206	70R8261	232-8396	71R1457
A47717	231-8126	72R5203	232-8207	70R8271	232-8398	71R1460
A63866	231-8130	78R5313	232-8208	70R8272	232-8399	71R1463
A64956, A66057	231-8132	78R5367	232-8209	70R8276	232-8403	71R1610
F43646	231-8138	71R4020	232-8210	70R8278	232-8417	71R2250
F63726	232-7939	70R2011S	232-8211	70R8292	232-8432	71R3300
L108189	232-7941	70R2012S	232-8212	70R8301	232-8439	71R4025
L73617	232-7943	70R2016S	232-8213	70R8302	232-8443	71R4050
R52618	232-7945	70R2018S	232-8214	70R8306	232-8445	71R4105
RD-5-9513-0	232-7982	70R2401	232-8215	70R8308	232-8461	71R6050
	232-7983	70R2402	232-8219	70R8601	232-8477	71R6180
	232-7984	70R2406	232-8220	70R8602	232-8480	71R6210
	232-7985	70R2408	232-8221	70R8606	232-8482	71R6230
	232-8007	70R4006	232-8222	70R8608	232-8501	71R6415
	232-8020	70R4196	232-8223	70R8641	232-8503	71R6418
			232-8224	70R8642	232-8505	71R6422

O.E.M. PART NUMBER CROSS REFERENCE

Convert Other Part Numbers to Red Dot Aftermarket Numbers

CATERPILLAR	
232-8506	71R6424
232-8510	71R6430
232-8515	71R6442
232-8517	71R6445
232-8519	71R6448
232-8521	71R6451
232-8522	71R6452
232-8523	71R6454
232-8525	71R6456
232-8526	71R6458
232-8527	71R6460
232-8528	71R6560
232-8531	71R6565
232-8532	71R6566
232-8534	71R6570
232-8536	71R6573
232-8537	71R6576
232-8539	71R6580
232-8550	71R8050
232-8552	71R8090
232-8562	71R8380
232-8564	71R8405
232-8566	71R8415
232-8568	71R8430
232-8570	71R8440
232-8571	71R8450
232-8573	71R8501
232-8574	71R8503
232-8575	71R8504
232-8578	71R8507
232-8580	71R9002
232-8581	71R9004
232-8643	72R3156
232-8682	72R6520
232-8711	72R9040
232-8728	73R0002
232-8729	73R0012
232-8732	73R0034
232-8733	73R0042
232-8737	73R0072
232-8738	73R0082
232-8739	73R0092
232-8742	73R0142
232-8743	73R0152
232-8746	73R0212
232-8747	73R0222
232-8748	73R0232
232-8752	73R0372
232-8755	73R0412
232-8758	73R0432
232-8760	73R0474

CATERPILLAR	
232-8770	73R0562
232-8773	73R0612
232-8776	73R0642
232-8782	73R0982
232-8786	73R0912
232-8789	73R2112
232-8790	73R2122
232-8791	73R2132
232-8792	73R2142
232-8793	73R2152
232-8794	73R2202
232-8796	73R2222
232-8797	73R2232
232-8798	73R2242
232-8799	73R2262
232-8800	73R2272
232-8801	73R2282
232-8802	73R3002
232-8803	73R3022
232-8804	73R3032
232-8813	73R4122
232-8822	73R4312
232-8823	73R4322
232-8828	73R4532
232-8830	73R5502
232-8831	73R5504
232-8832	73R5512
232-8833	73R5514
232-8834	73R5522
232-8835	73R5524
232-8836	73R5532
232-8837	73R5534
232-8839	73R5552
232-8840	73R5554
232-8841	73R5562
232-8845	73R5592
232-8846	73R6051
232-8852	73R6270
232-8863	73R7130
232-8874	73R8562
232-8875	73R8564
232-8876	73R8582
232-8877	73R8584
232-8879	73R8594
232-8889	73R9082
232-8902	74R0400
232-8908	74R1406
232-8909	74R1426
232-8910	74R1436
232-8923	74R2002
232-8933	74R2590

CATERPILLAR	
232-8936	74R2616
232-8938	74R2676
232-8942	74R3060
232-8945	74R3076
232-8946	74R3106
232-8949	74R3140
232-8951	74R3156
232-8955	74R3314
232-8959	74R3319
232-8964	74R3356
232-8977	74R4206
232-8979	74R5055
232-8980	74R5057
232-8981	74R5060
232-8982	74R5063
232-8983	74R5065
232-8984	74R5067
232-8986	74R5071
232-8987	74R5073
232-8988	74R5075
232-8989	74R5077
232-8990	74R5079
232-8991	74R5081
232-8992	74R5083
232-8993	74R5085
232-8994	74R5087
232-8995	74R5089
232-8996	74R5091
232-9017	75R0032
232-9020	75R0062
232-9021	75R0072
232-9022	75R0082
232-9023	75R0092
232-9032	75R0232
232-9033	75R0242
232-9034	75R0252
232-9035	75R0262
232-9039	75R0402
232-9040	75R0422
232-9042	75R0502
232-9043	75R0512
232-9044	75R0522
232-9047	75R0662
232-9048	75R0682
232-9051	75R1212
232-9052	75R1222
232-9053	75R1302
232-9055	75R1352
232-9058	75R1412
232-9059	75R1414
232-9060	75R1422

CATERPILLAR	
232-9061	75R1432
232-9063	75R1512
232-9064	75R1522
232-9065	75R1532
232-9066	75R1542
232-9069	75R1832
232-9070	75R1842
232-9071	75R1852
232-9072	75R1862
232-9073	75R1872
232-9083	75R3502
232-9090	75R4534
232-9092	75R4702
232-9094	75R4722
232-9095	75R4732
232-9096	75R4734
232-9097	75R4742
232-9098	75R4752
232-9099	75R4762
232-9100	75R4772
232-9101	75R4782
232-9102	75R4792
232-9121	75R5565
232-9123	75R5575
232-9141	75R5691
232-9142	75R5698
232-9144	75R5705
232-9148	75R5722
232-9149	75R5728
232-9151	75R5738
232-9159	75R5819
232-9197	75R7280
232-9198	75R7290
232-9199	75R7300
232-9202	75R82102
232-9203	75R82104
232-9204	75R82112
232-9206	75R82132
232-9208	75R82142
232-9216	75R8252
232-9222	75R83112
232-9224	75R83132
232-9225	75R83152
232-9227	75R83172
232-9229	75R8332
232-9232	75R8354
232-9239	75R84112
232-9241	75R84132
232-9242	75R84152
232-9243	75R84162
232-9244	75R84172

CROSS
REFERENCE

O.E.M. PART NUMBER CROSS REFERENCE

Convert Other Part Numbers to Red Dot Aftermarket Numbers

CROSS
REFERENCE

CATERPILLAR	
232-9245	75R84182
232-9246	75R84192
232-9247	75R84212
232-9249	75R84232
232-9251	75R84252
232-9252	75R84262
232-9255	75R84292
232-9256	75R84312
232-9258	75R84352
232-9259	75R84362
232-9260	75R84372
232-9261	75R84382
232-9265	75R84432
232-9266	75R84452
232-9267	75R84472
232-9268	75R84482
232-9269	75R84492
232-9270	75R84512
232-9271	75R8454
232-9272	75R84532
232-9273	75R84552
232-9274	75R84562
232-9275	75R84572
232-9276	75R84582
232-9278	75R84612
232-9279	75R8462
232-9280	75R84622
232-9282	75R8464
232-9321	75R8722
232-9420	75R0274
232-9575	76R7507
232-9682	77R6935
232-9683	77R6940
232-9690	77R7000
232-9693	77R7702
232-9694	77R7704
232-9695	77R7706
232-9697	77R7710
232-9699	77R7714
232-9717	75R89392
232-9926	78R5302
232-9927	78R5304
232-9928	78R5306M
232-9929	78R5308
232-9930	78R5310
232-9935	78R5360
232-9937	78R5380
232-9939	78R5400
232-9940	78R5410
232-9961	78R5240
232-9962	78R5245

CATERPILLAR	
233-0018	79R4561
233-0030	79R4655
233-0042	79R8920
233-0043	79R8930
233-0044	79R8931
236-5072	73R5642
236-5081	78R5250
240-9698	75R89305
240-9699	75R89310
240-9700	75R89315
240-9701	75R89320
240-9702	75R89325
240-9704	75R89302
240-9705	75R89312
240-9706	75R89322
240-9707	75R89334
240-9708	75R89344
240-9709	75R89352
240-9710	75R89362
240-9711	75R89354
240-9712	75R89372
240-9713	75R89382
240-9714	75R89374
240-9715	75R89384
240-9718	75R89414
240-9719	75R89422
240-9720	75R89424
243-5753	70R6501
2457779	75R9044
245-7779	75R9044
247-3500	78R5247
247-3501	78R5235
247-3504	77R5270
247-3511	75R89484
247-3512	75R89474
247-3514	75R89412
247-3520	75R89364
247-3522	75R89332
247-3523	75R8932
247-3524	75R89314
247-3543	74R5093
247-3546	74R3330
247-3547	74R3327
247-3548	74R3321
247-3549	74R3315
247-3550	74R3311
247-3551	74R3328
247-3552	74R3127
247-3553	74R3126
247-3554	74R2667
247-3555	74R2607

CATERPILLAR	
247-3557	73R4332
247-3563	72R2120
247-3564	71R8425
247-3565	71R8385
247-3567	71R6600
247-3571	71R6480
247-3572	71R6475
247-3574	71R6463
247-3592	71R2605
247-3595	71R1620
247-3597	71R1170
247-3628	70R8998
247-3629	70R8996
247-3632	71R6150
247-3635	70R8681
247-3637	70R8591
247-3638	70R8558
247-3639	70R8556
247-3640	70R8551
247-3642	70R8511
247-3708	70R8398
247-3709	70R8348
247-3710	70R8346
247-3711	70R8341
247-3714	70R8296
247-3715	70R8291
247-3716	70R8208
247-3720	70R8201
247-3722	72R2350
247-3724	70R8068
247-3725	70R8066
247-3726	70R8062
247-3727	70R8061
247-3734	70R5046
247-3738	75R84662
248-8218	73R0442
248-8219	73R4242
248-8221	73R5622
248-8222	73R5624
248-8223	73R5632
248-8224	73R5634
248-8225	73R5642
248-8232	74R2800
248-8235	74R3070
248-8273	77R1150
248-8274	77R1175
248-8287	78R5315
248-8288	78R5318
248-8291	78R5375
252-2348	78R8452
252-2349	78R8456

CATERPILLAR	
252-2350	78R8458
257-3227	74R0455
258-4272	71R1163
258-4295	RD-5-4089-0M
2597243	75R9044
259-7243	75R9044
264-4492	74R2687
264-5092	70R8886
264-5119	70R8888
266-9675	73R0462
271-8763	72R9020
292-1043	71R0475
292-1047	71R0485
292-1062	71R0487
292-2679	70R8086
292-2680	70R8088
292-2681	70R8688
292-2698	70R8598
292-2699	70R8621
292-2703	70R8881
292-3088	70R8071
295-5440	RD-5-12195-0P
2G-0398	71R2300
2G0401	71R8100
2G-0401	71R8100
2G0409	73R0364
2G396	71R2700
2G398	71R2300
2G401	71R8100
2P4338	71R2250
303-6658	RD-5-12372-0P
3050324	75R9044
305-0324	75R9044
3050325	75R9044
305-0325	75R9044
317-0006	78R9600
317-0025	RD-5-10962-0M
320-0562	74R0495
320-0563	74R0495
351-6171	RD-5-6912-0M
362.761.0, RD-5-7015-0	71R8321
379-2419	76R7450
379-2421	76R4100
379-2422	73R5624
379-2423	71R3150
379-2425	72R5060
379-2469	71R8504
3E1906	75R81184
3E-1906	75R81184
3E1907	75R81432
3E1908	75R81432

O.E.M. PART NUMBER CROSS REFERENCE

Convert Other Part Numbers to Red Dot Aftermarket Numbers

CATERPILLAR	
3E1909	75R81274
3E3535	74R0470
3E-3595	74R0470
3E3658	75R81432
3E-5464	71R3220
3E-6392	RD-5-8375-0P
3P7994	72R5050
4608	75R84592
4KK01962	75R81432
5P3929	70R3901
5P-3929	70R3901
5P-3948	70R3906
5V5698	74R3516
5V-5698	74R3516
6K9774	71R6300
6P1309	74R3506
712-225, RD-5-5572-0	74R1856
7G8699	72R5050
7X2049	71R8505
7X2149	71R8505
8C4120	78R5318
8P5142	78R5320
8P5346	71R2250
8P5349	71R2250
8P9982	73R0364
8T8642	74R3526
8T8816	75R81274
9D6888	74R2526
9G0393	73R0364
9G0397	73R0364
9G8693	73R0364
9G8697	73R0364
9P-3498	71R2250
9W0549	74R3526
MA 6	75R0452
OR6756	75R8184
RD 4157 0, RD-5-6868-0	71R8301
RD 5 4640 0	71R7050
RD-3-8783-0P	RD-3-8783-0P
RD-4172-0	71R2310
RD-4-3683-2	77R7900
RD-4-4069-0	77R0110
RD-4-4069-1	77R0110
RD-4427-24	71R3100
RD-4-4738-0	77R0620
RD-4-4968-0	77R7100
RD-4-5378-0	77R1290
RD-5-0071-0	71R0400
RD-5-10013-0	71R8506
RD-5-10028-0	RD-5-10028-0P
RD-5-10055-0	72R6547

CATERPILLAR	
RD-5-10239-0	71R3540
RD-5-10635-0P	72R5204
RD-5-3647-0	71R1450
RD-5-3748-0	71R0010
RD-5-3780-0	73R4102
RD-5-3843-0	74R2447
RD-5-4531-24	71R3200
RD-5-4531-24P	71R3200
RD-5-7015-0	71R8321
RD-5-7062-1	74R1826
RD-5-7565-0	74R3537
RD-5-8377-0	71R3125
RD-5-8390-0	72R6525
RD-5-8433-0, A22-36474-000	71R7075
RD-5-8641-0	RD-5-8641-0P
RD-5-8641-1	RD-5-8641-1P
RD-5-8665-0	71R1485
RD-5-8894-0	72R6535
RDH RD4 3724 0	77R0650

CLIMATECH	
18-03544	76R6120
18-03903	77R0665
1CC4696	75R8772
3S010633	77R8365
3X010633	77R8365
4510SAN	75R8382
4626SAN	75R8432
486684-0008	77R6985
486684-5008	77R6985
652578BSM	71R6175
70R5125	70R5120
75R5829	75R5824
AA10200	78R0456
AA10350	78R0408
AA10400	78R0458
AA10450	78R0456
AA10500	78R0401
AA10550	78R0451
AA10600	78R0452
AA10650	78R0406
AA10850	78R0458
AA10900	78R0451SP
AA11050	78R0070
AA11100	72R9020
AA11200	78R0400
AA11400	78R0200
AA11450	78R0250
AA11500	78R0350
AA11600	79R3173
AA11650	79R3171
AA11700	79R3175
AA11750	78R0030
AA11800	78R0040
AA11850	78R0050
AA11900	78R0060
AA40650	78R0456
AB10250	70R1301
AB10300	70R1406
AB10350	70R1391
AB10400	70R1398
AB10450	70R1496
AB10500	70R1306
AB10600	70R1498
AB10650	70R2068
AB10700	70R1408
AB10850	70R1491
AB11400	70R1396
AB11850	70R7550
AB12100	75R5718
AB12200	75R5711
AB12350	70R1308

CLIMATECH	
AB12400	70R2011
AB12500	70R2018
AB12600	70R2072
AB12900	RD-5-5383-0P
AB13400	70R4391
AB13450	70R4306
AB13600	70R4301
AB13650	70R4401
AB13700	70R4491
AB13750	70R4406
AB13800	70R4396
AB13850	70R4496
AB13900	70R4308
AB13950	70R4408
AB14000	70R4398
AB14050	70R4498
AB16550	70R1506
AB16800	75R5721
AB16950	70R1508
AB17400	70R8120
AB17500	75R5728
AB18700	70R1498
AB18850	70R1496
AB19250	75R8262
AB19500	70R3800
AB20750	70R1401
AB20900	75R5700
AB20950	70R7100
AB21000	79R3178
AB21050	79R3179
AB21100	70R1596
AB21350	70R2016
AB21400	70R1502
AB21450	70R3001
AB21500	70R1501
AB21700	70R2012
AB21750	70R2066
AB21800	70R2061
AB21850	70R2076
AB21900	70R2078
AB21950	70R2071
AB22000	70R4006S
AB22050	70R4008S
AB22100	70R4001S
AB22150	70R4002S
AB22200	70R4106
AB22250	70R4108
AB22300	70R4101
AB22350	70R4691
AB22400	70R4102
AB22450	70R4546

CROSS
REFERENCE

O.E.M. PART NUMBER CROSS REFERENCE

Convert Other Part Numbers to Red Dot Aftermarket Numbers

CROSS
REFERENCE

CLIMATECH	
AB22500	70R4198
AB22550	70R4191
AB22600	70R4192
AB22650	70R2088
AB22700	70R2081
AB22750	70R2082
AB22800	70R4096S
AB22850	70R4098S
AB22900	70R4091S
AB22950	70R4092S
AB23000	70R4206
AB23050	70R4208
AB23100	70R4201
AB23150	70R4202
AB23200	70R4296
AB23250	70R4298
AB23300	70R4291
AB23350	70R4292
AB23400	70R4392
AB23450	70R4402
AB23500	70R4442
AB23550	70R2036
AB23600	70R2038
AB23650	70R4698
AB23700	70R2031
AB23750	70R4706
AB23800	70R4701
AB23850	70R4796
AB23900	70R4791
AB23950	70R4798
AB24000	70R4506
AB24050	70R4508
AB24100	70R4501
AB24150	70R4502
AB24200	70R4546
AB24250	70R4548
AB24300	70R4541
AB24350	70R4596
AB24400	70R4598
AB24450	70R4591
AB24500	70R4996
AB24550	70R4998
AB24600	70R4991
AB24650	70R6006
AB24700	70R6008
AB24750	70R6001
AB24800	70R6096
AB24850	70R6098
AB24900	70R6091
AB24950	70R4606
AB25000	70R4608

CLIMATECH	
AB25050	70R4601
AB25100	70R4696
AB25150	75R5678
AB25200	75R5848
AB25250	75R5858
AB25300	75R5838
AB25350	75R5671
AB25400	75R5672
AB25450	75R5842
AB25500	75R5852
AB25550	75R5832
AB26000	75R5815
AB26050	70R2112
AB26100	70R2092
AB26150	70R2111
AB26200	70R2091
AB26250	70R2098
AB26300	70R2118
AB26350	70R2086
AB26400	70R2096
AB26450	70R2116
AB26500	70R1591
AB26550	70R1598
AB27200	70R4342
AB27450	70R3906
AB27500	70R3901
AB27550	70R7500
AB27600	70R7250
AB29450	70R3206
AB29500	70R3208
AB29600	70R1592
AB29650	70R2072
AB29700	70R2116
AB29750	70R2118
AB29800	70R2112
AB29900	70R2111
AB31250	75R5718
AB31300	75R5711
AB31450	75R5658
AB31500	75R5621
AB31750	75R5728
AB31800	75R5721
AB31850	75R5698
AB31900	75R5691
AB31950	75R5618
AB32000	75R5681
AB32050	75R5678
AB32100	75R5671
AB32150	75R5672
AB32200	75R5648
AB32250	75R5641

CLIMATECH	
AB32350	75R5731
AB33200	75R5808
AB33250	75R5801
AB33300	75R5705
AB33400	70R7006
AB33800	70R2401
AB33850	70R2406
AB34100	70R7008S
AC10000	70R5056
AC10050	70R5051
AC10100	70R5058
AC10200	70R5056
AC10350	70R5058
AC10500	70R5057
AC10600	70R5051
AC10650	70R5056
AC10700	70R5058
AC10850	70R5046
AC10900	70R5058
AC11050	70R5051
AC11100	70R5051
AC11150	70R5052
AC11700	70R5057
AC11800	70R5056
AC11900	70R5058
AC11950	70R5051
AC12000	70R5052
AC12050	70R5046
AC12300	75R5525
AC12350	75R5525
AC12400	75R5525
AC12850	75R5520
AE10000	70R5100
AE10250	70R2301
AE10300	70R2306
AE10400	70R3008
AE10450	70R3006
AE10700	RD-1-0639-0P
AE10750	70R7750
AE10850	70R7110
AE11000	70R2710
AE11050	75R5824
BA10000	71R0460
BA10050	71R0453
BA10150	71R1620
BA10200	71R1160
BA10300	71R0250
BA10350	71R0040
BA10400	71R0600
BA10450	71R1620
BA10500	RD-5-4284-0P

CLIMATECH	
BA10600	71R0852
BA10650	71R1150
BA10800	71R1620
BA11350	71R0487
BA11400	71R6300
BA11450	71R1210
BA11550	71R0650
BA11850	71R0050
BA11900	71R1160
BA12050	71R0450
BA12100	72R0600
BA12150	72R0210
BA12200	72R0200
BA12250	72R0050
BA12300	RD-5-5497-1P
BA12350	72R0240
BA12400	71R7650
BA12450	72R1502
BA12500	71R6080
BA12550	72R0500
BA12600	71R0550
BA12650	71R7600
BA12700	RD-5-4285-0P
BA12750	72R0200
BA12850	RD-5-4704-1P
BA12900	71R6140
BA12950	71R0500
BA13050	71R0050
BA13200	71R0350
BA13300	72R1504
BA13350	71R0700
BA13450	71R2250
BA13550	72R0220
BA13900	71R1160
BA14350	71R0500
BA14500	72R0600
BA14550	71R0480
BA14750	71R6418
BA14950	71R6220
BA15200	71R6210
BA16300	72R0190
BB10000	71R6050
BB10050	71R6040
BB10100	72R0070
BB10250	71R6070
BB10400	71R7710
BB10500	71R6110
BB10750	71R6070
BB10800	71R6120
BB10850	71R6130
BB11050	71R6030

O.E.M. PART NUMBER CROSS REFERENCE

Convert Other Part Numbers to Red Dot Aftermarket Numbers

CLIMATECH	
BB11100	71R6070
BB11200	71R6020
BB11250	71R6090
BB11300	71R7750
BB11500	71R6020
BB11750	RD-3-4084-1P
BB11800	71R6020
BB13850	71R6181
BB13900	71R6183
BB13950	71R6095
BB14000	71R6095
BB14250	71R6090
BB14300	71R6120
BB14400	71R1150
BB14550	71R7075
BB14600	71R7077
BC10000	71R7550
BC10050	71R7500
BC10100	71R7000
BC10150	71R7050
BC10200	71R7050
BD10150	71R2250
BD10250	71R2300
BD10350	71R2300
BD10400	71R2500
BD10550	71R3300
BD10650	71R3100
BD10700	71R3100
BD10750	71R3100
BD10800	71R3150
BD10950	71R2200
BD11050	71R2200
BD12850	71R2500
BD13000	71R2700
BD13300	71R2250
BD13350	71R2605
BD13400	71R3100
BD13550	71R3100
BD13600	71R3550
BD13650	RD-5-5534-0P
BD13750	RD-3-5914-1P
BD14050	71R2100
BD14200	71R2700
BD14250	71R2600
BD14300	71R3220
BD14350	71R2305
BD14600	71R2250
BD14700	71R2600
BD14750	71R2605
BD15300	71R3300
BD15450	71R3220

CLIMATECH	
BE10000	71R0400
BE10050	71R0300
BE10100	71R0260
BE10150	71R2250
BE10200	71R0400
BE10250	71R0150
BE10300	71R0250
BE10350	71R0200
BE10600	71R0100
BE10700	RD-5-4693-0P
BE13050	71R0050
CA10000	71R1450
CA10050	71R1450
CA10200	71R1455
CA10250	RD-6-4661-1P
CA10350	71R1457
CA10450	71R1510
CA10600	71R1520
CA10700	71R1457
CA10950	71R1460
CA11750	71R1457
CA11850	71R1455
CB10000	71R1702
CB10050	71R1702
CB10100	71R1802
CB10150	71R1652
CB10250	71R1652
CB10650	71R1654
CB10700	71R1902
CB10750	71R1704
CB10800	71R1702
CB10900	71R1922
CB11100	71R1702
CB11150	71R1702
CC10150	71R1310
CC10200	71R1300
CD10000	71R9002
CD10050	RD-6-4676-0P
D1037-3023	78R0456
D1037-3037	78R0458
D1037-3058	78R0451
D1037-3064	78R0452
D2010-2930	70R1398
D2054-2538	70R9396S
D2054-2551	70R9406S
D2054-2577	70R9496S
D2054-2603	70R9408S
D2054-2629	70R9496S
D2054-2681	70R9391S
D2054-3163	70R9991S
D2054-3201	70R9906S

CLIMATECH	
D2054-3249	70R9401S
D2054-3273	70R9491S
D2054-4003	75R5806
D2054-4007	75R5808
D2054-4011	75R5801
D2054-4015	75R5802
D2054-4055	75R5808
D2054-4061	75R5802
D2054-4204	75R5801
D2054-4282	75R5648
D2054-4295	75R5641
D2054-4321	70R9908S
D2054-4334	70R9901S
D2054-4399	70R9996S
D2054-4412	70R9991S
D2054-4620	70R9076S
D2054-4633	70R9016S
D2054-4646	70R9078S
D2054-4659	70R9018S
D2054-4672	70R9071S
D2054-4685	70R9011S
D2957-3603	79R1516
DA10000	72R1310
DA10050	72R1210
DA10100	72R1200
DA10150	72R1100
DA10250	RD-3-3267-0P
DA10300	RD-3-2788-2P
DA10350	72R1300
DA10400	71R3575
DB10200	RD-3-2788-6P
DB10250	RD-3-2788-1P
DB10350	RD-3-2788-7P
DB10600	RD-3-2788-3P
EA10050	71R8050
EA10150	71R8080
EA10200	71R8100
EA10550	71R8210
EA10600	71R8301
EA10650	71R8301
EA10660	71R8461
EA10750	71R8321
EA10900	71R8400
EA10950	71R8301
EA12100	71R8301
EA12300	71R8100
EA12550	71R8301
EA12600	71R8370
EA13000	71R8080
EA13050	71R8310
EA13100	71R8430

CLIMATECH	
EA13650	71R8370
EA13900	71R8210
EA14000	RD-5-14085-0P
EA14100	71R8080
EA14400	71R8350
EA14500	71R8090
EA15000	71R8450
EA3900-02S	71R8090
EC10050	71R8500
EC10100	71R8500
EC10150	71R8505
EC10250	71R8504
EC2500-01S	71R8505
F37-6000	74R2002
F37-6012	74R2002
F69-1000	75R8772
F69-6001-111	75R89562Q
F69-6001-121	75R89572Q
F69-6001-122	75R84292
F69-6001-231	75R89552Q
F69-6003-111	75R89502
F69-6003-112	75R89652
F69-6003-121	75R81632 (SD)
F69-6003-151	75R89532
FA10000	72R8250
FA10050	72R8270
FA10100	72R8280
FA10350	RD-5-7683-97P
FA10450	RD-5-4776-1P
FA10650	72R8200
FA10700	RD-5-6410-72P
FA10800	RD-5-4776-0P
FA10950	72R8400
FA11200	72R8300
FA11700	72R7700
FA11850	RD-4180-69P
FA12050	72R7600
FA12400	72R8360
FA12450	72R8410
FA13700	71R4501
FB10600	RD-3-6130-0P
FB10900	71R5052
FB11200	71R5212
FB11300	71R5102
FB11400	RD-3-4495-0P
FC10400	70R2720
FD10050	71R4030
FD10100	71R4035
FD10350	71R4050
FD10500	RD-4170-0P
FD10750	71R4040

CROSS
REFERENCE

O.E.M. PART NUMBER CROSS REFERENCE

Convert Other Part Numbers to Red Dot Aftermarket Numbers

CROSS
REFERENCE

CLIMATECH	
FD19950	71R4030
FG10050	71R1150
GA11150	70R7150
GA11300	RD-5-5548-0P
GA11700	72R3550
GA11900	78R0300
GA12000	72R3510
GA12050	72R2110
GA12100	72R3530
GB10000	72R2140
GB10050	72R2250
GB10100	72R2550
GB10150	72R2500
GB10300	RD-5-6581-0P
GB10400	72R2300
GB10450	72R3200
GB10500	72R3110
GB11650	72R3110
GB11800	RD-5-5225-0P
GB11850	72R3100
GB11900	72R2200
GB11950	72R2000
GB12100	72R2130
GB12150	72R2150
GB12200	72R2100
GB12250	72R2600
GB12300	72R3000
GB12500	72R2350
GD10000	78R5400
GD10100	78R5300
GD10150	RD-5-5352-0P
GD10200	78R5306M
GD11300	78R5000
GD11350	74R3356
GD11450	78R5239
GD11500	78R5235
GD11600	78R5308
GD11700	78R5435
GE11450	78R5237
HA 10550	73R0352
HA0301-01S	73R1002
HA09830	73R1002
HA10000	73R0552
HA10050	73R0022
HA10100	73R0522
HA10300	73R0152
HA10350	73R0402
HA10400	73R0402
HA10500	73R0322
HA10600	73R0402
HA10700	73R0422

CLIMATECH	
HA10750	73R0432
HA10800	73R0454
HA10850	73R0502
HA10900	73R0512
HA11000	73R0552
HA11050	73R0552
HA11100	73R0454
HA11200	73R0602
HA11250	73R0232
HA11350	73R0232
HA11400	73R0322
HA11500	73R0702
HA11550	73R0702
HA11650	73R0912
HA11750	73R0532
HA11950	73R0962
HA12100	73R1052
HA12450	73R2102
HA12500	73R2152
HA12600	RD-5-14087-0P
HA13050	73R2202
HA13150	73R0404
HA13250	73R2152
HA13800	73R0662
HA14200	73R0652
HA15200	73R0522
HA15250	73R2162
HA15850	73R2102
HA15950	73R0552
HA16050	73R0912
HA16200	73R0152
HA16450	73R0152
HA16700	73R0364
HA16950	73R0462
HA17000	73R0532
HA17100	73R4062
HA17200	73R0102
HA17300	73R0152
HA17350	73R0522
HA17400	73R2262
HA17500	73R4532
HA17600	73R0604
HA17650	73R0204
HA17700	73R0104
HA17900	73R0542
HA17950	73R0514
HA18000	RD-5-4387-0P
HA18200	73R0442
HA18250	73R0042
HA18300	73R3032
HA18350	73R3082

CLIMATECH	
HA18450	73R4102
HA18700	73R3002
HA18800	73R0232
HA19000	73R0232
HA19200	73R0662
HA19250	73R2102
HA19350	73R0612
HA19600	73R0012
HA19650	73R0642
HA19700	73R0142
HA19750	73R0522
HA19900	73R2232
HA20000	73R2102
HA20050	73R0232
HA20700	73R2142
HA20850	73R2122
HA21200	73R2132
HA21500	73R2212
HA21550	73R3062
HA21600	73R5562
HA21700	73R3022
HA22050	73R0652
HA23550	73R5592
HA23600	73R3002
HA23700	73R0412
HB10050	R-256-0P
HB10160	73R4182
HB10300	73R4162
HB10350	73R4182
HB10400	73R4182
HB10450	73R4252
HB10500	73R4182
HB10550	73R4202
HB10600	73R4204
HB10700	73R4252
HB10750	73R4254
HB10850	73R4322
HB10950	73R4312
HB11000	73R4312
HB11050	73R4504
HB11100	73R2262
HB11150	73R2262
HB11200	73R4602
HB11550	73R4102
HB15300	73R4602
HB15700	73R4322
HB16100	73R4182
HB16250	73R4532
HB16400	73R3002
HB16600	73R4532
HB16650	73R4532

CLIMATECH	
HB16700	73R4182
HB16750	73R4532
HB16800	73R4322
HB18800	73R3002
HC10000	73R7130
HC10100	RD-5-7663-0P
HC10250	73R6151
HC10500	73R7130
HC10550	73R6381
HC10750	73R7101
HC12800	73R6230
HC12900	73R7000
HC13000	73R7151
HC13050	73R8110
HC13100	73R8100
HC13250	73R6370
HC13500	73R7000
HC14000	73R6051
HC14050	73R6253
HC16250	73R6383
HD10150	73R9052
HD10200	73R9062
HE10250	RD-5-5434-0P
HE11100	74R7220
HE11150	RD-5-6048-0P
HE11200	75R6000
HE11500	77R9005
HE11850	75R6010
HE12150	75R9545
HE12200	77R9010
HF10050	RD-3-2547-0P
HF10100	RD-3-2547-1P
HF10200	RD-3-4058-0P
HF10300	RD-5-4387-0P
HF10350	73R0222
HF10600	73R6251
HF10750	RD-3-3922-2P
HF10850	RD-2-1206-0P
HF15450	73R4424
HG1000	73R9202
HG10050	73R9062
HG10100	RD-4101-6P
HG10300	71R0470
HG10550	RD-4101-4P
HG10600	71R1200
HG10750	RD-4101-8P
HG11150	RD-5-3894-1P
HG11200	72R0100
JA10250	74R0450
JA10300	74R0450
JA10450	74R0906

O.E.M. PART NUMBER CROSS REFERENCE

Convert Other Part Numbers to Red Dot Aftermarket Numbers

CLIMATECH	
JA10700	74R1706
JA10750	74R1706
JA10800	74R2607
JA10850	74R1756
JA10900	74R1806
JA10950	74R1856
JA11000	74R1906
JA11050	74R1906
JA11100	74R1956
JA11200	74R2106
JA11250	74R2106
JA11300	74R1706
JA11350	74R2306
JA11400	74R2306
JA11550	74R2406
JA11650	74R2556
JA11700	74R2536
JA11750	74R2586
JA11800	74R2596
JA11950	74R2606
JA12050	74R2667
JA12100	74R2667
JA12250	74R2667
JA12350	74R2706
JA12400	74R2706
JA12600	74R3056
JA12700	74R3066
JA12750	74R3106
JA12800	74R1427
JA13000	74R3306
JA13050	74R3306
JA13100	74R3306
JA13150	74R3316
JA13250	74R3450
JA13300	74R3516
JA17400	74R2667
JA17500	74R3526
JA17550	74R2606
JA17600	74R2106
JA17750	74R1756
JA17900	74R2606
JA17950	74R3309
JA18150	71R2800
JA18400	74R7210
JA18450	74R1806
JA18500	74R2536
JA18650	74R3455
JA1870	74R3137
JA18700	74R2676
JA18750	74R2546
JA18800	74R2546

CLIMATECH	
JA18850	74R3330
JA18900	74R2676
JA18950	74R1856
JA19000	74R2536
JA19050	74R3322
JA19100	74R2106
JA19200	74R3156
JA19250	74R3506
JA19300	74R4006
JA19350	74R4116
JA19400	74R4016
JA19600	74R3455
JA19750	74R3322
JA19800	74R3076
JA19950	74R3309
JA20000	74R2106
JA20050	74R2556
JA20150	74R5093
JA20200	74R3310
JA20250	74R2526
JA20300	74R3316
JA20500	74R3106
JA20550	74R2676
JA20800	74R1406
JA21100	74R3346
JA21400	74R2616
JA21550	74R4016
JA22100	74R3313
JA22150	74R3126
JA22250	74R2002
JA22400	74R3126
JC10050	74R5050
JC10700	74R5600
JC10800	74R5050
JC12000	74R5062
JC21450	74R5093
JD10050	74R8006
K122-118	77R6947
K122-125	77R6957
K122-64	77R6920
K129-159	70R2201
K137-230	77R6990
K251-571	74R3357
KA10000	75R1202
KA10050	75R0302
KA10100	75R4652
KA10150	75R4352
KA10200	75R2402
KA10250	75R0252
KA10350	75R3452
KA10400	75R1202

CLIMATECH	
KA10450	75R3002
KA10550	75R0182
KA10700	75R0082
KA10750	75R0202
KA10800	75R1412
KA10850	75R1652
KA10900	75R4502
KA10950	75R0302
KA11200	75R3452
KA11300	75R4352
KA11350	75R0452
KA11400	75R1802
KA11550	75R0042
KA11600	75R0252
KA11700	75R2552
KA12000	75R1402
KA12200	75R2702
KA12250	75R1872
KA12800	75R2852
KA13250	75R3602
KA13450	75R0202
KA13500	75R0202
KA13600	75R0452
KA13650	75R0152
KA13700	75R0204
KA13750	75R3454
KA13850	75R3602
KA13900	75R0612
KA13950	75R0452
KA14000	75R0522
KA14050	75R0682
KA14100	75R0512
KA14200	75R4782
KA14300	75R0152
KA14400	75R2552
KA14550	75R4762
KA14600	75R0302
KA14650	75R4772
KA14750	75R1222
KA14800	75R0612
KA14850	75R0662
KA14900	75R1342
KA15100	75R1402
KA15150	75R0042
KA15250	75R1302
KA15320	75R0522
KA15350	75R0522
KA16400	75R4732
KA16450	75R4722
KA16500	75R4702
KA16550	75R4742

CLIMATECH	
KA16600	75R4752
KA16800	75R4702
KB10150	75R6040
KC10100	75R0522
KC10250	71R1900
L110950	75R5540
L111000	75R5500
LA10050	75R5601
LA10300	70R3550
LA10400	75R5661
LA10450	75R5668
LA10700	75R5520
LA10950	75R5628
LA11150	75R5651
LA12250	71R9002
LA12300	70R2072
LA12350	75R5658
LA12400	75R5621
LA12500	75R5651
LA12550	75R5608
LA12600	70R2072
LA12650	75R5618
LA12700	75R5611
LC10000	75R7280
LC10050	75R7280
LC10100	75R7290
LC10150	75R7290
LC10200	75R7290
LC10800	75R7280
LC11000	75R7280
LC11050	75R7280
LC11100	75R7280
LC11300	75R7290
LC11400	75R7290
LC11600	75R8292
LC20000	75R7280
LC21000	75R7290
LC21200	75R7322
LC21250	75R7332
LC21400	75R7300
LE01110	75R89562Q
LE01220	75R89582Q
LE10000	75R81702
LE10050	75R8342
LE10100	75R8232
LE10150	75R8292
LE10300	75R8222
LE10350	75R81472
LE10400	75R8282
LE10500	75R8292
LE10550	75R8212

CROSS REFERENCE

O.E.M. PART NUMBER CROSS REFERENCE

Convert Other Part Numbers to Red Dot Aftermarket Numbers

CROSS
REFERENCE

CLIMATECH	
LE10600	75R8262
LE10850	75R81502
LE10900	75R8272
LE10950	75R8224
LE11150	75R81472
LE11200	75R8232
LE11250	75R8342
LE11300	75R8252
LE11350	75R84492
LE11400	75R81582
LE11450	75R8422
LE11500	75R81452
LE11950	75R8214
LE12000	75R8222
LE12050	75R8232
LE12100	75R8372
LE12150	75R8292
LE12300	75R8352
LE12350	75R8214
LE12400	75R8232
LE12450	75R81472
LE12600	75R81472
LE12650	75R8384
LE12700	75R8374
LE12750	75R83132
LE12800	75R8214
LE12850	75R8224
LE12900	75R8442
LE13050	75R84172
LE14500	75R8917
LE14550	75R8907
LE14600	75R8909
LE14650	75R8910
LE16200	75R8382
LE16400	75R81472Q
LE16750	75R81502
LE16950	75R81232
LF01110	75R81662Q
LF01210	75R81632
LF01220	75R89582Q
LF02310	75R8772
LF10050	75R8512
LF10250	75R8522
LF10400	75R8612
LJ10050	75R8184
LJ10100	75R5102
LJ10150	75R5550
LJ10300	RD-5-8638-1P
LJ10350	75R8102
LJ10500	75R5104
LM10050	79R4595

CLIMATECH	
LM10150	79R4550
LM10200	79R4580
LM10300	79R4700
LM10350	79R4580
LM10600	79R4595
LM10700	79R4585
LM11350	79R4580
LM11400	79R4580
LM11450	75R4585
LM11500	79R4561
MA0200-015	71R3575
MA1020	72R6400
MA1045	72R5210
MA1050	72R6410
MA1060	72R5060
MA1065	72R5050
MA1085	72R6420
MA1100	72R5200
MA1110	72R6530
MA1140	72R5600
MA1205	72R5260
MA1220	72R5070
MA1260	72R1502
MA1265	72R0260
MA1270	72R5270
MA1275	72R5040
MA1280	72R5500
MA1285	72R5260
MA1340	72R5080
MA1430	71R3571
MA1595	72R5050
MA1615	72R6515
MA1640	71R3582
MA1705	71R3582
MA1710	71R3585
MA1715	71R3580
MC10050	76R2160
MC1015	76R2600
MC1025	76R3250
MC1050	76R2300
MC10600	76R2350
MC1065	76R3450
MC1090	76R2700
MC1095	76R3400
MC1100	76R3460
MC11000	76R3460
MC1145	76R1100
MC11500	76R2400
MC1160	76R3900
MC1175	76R2450
MC1180	76R3910

CLIMATECH	
MC1185	76R2410
MC1190	76R3500
MC1195	76R1400
MC1200	76R1410
MC1205	76R2210
MC1215	76R2500
MC1220	76R3300
MC1225	76R4000
MC12350	76R1900
MC12400	76R3930
MC1245	76R2730
MC1250	76R2330
MC12550	76R2320
MC1260	76R1110
MC1265	76R1450
MC1270	76R0500
MC1280	76R2220
MC1285	76R2340
MC1290	76R1120
MC1295	76R3000
MC1315	76R1600
MC1320	76R2360
MC1580	76R2155
MC16800	76R6020
MD1005	RD-4197-0P
MD1080	70R5650
MD1085	78R0100
MD1105	78R0110
ME1000	75R5540
ME1005	75R5560
ME1010	75R5560
ME1015	75R5570
ME1030	75R5570
ME1075	70R5600
ME1085	70R5550
ME1090	70R5708
ME1095	70R5706
ME1100	70R5701
ME1105	70R5770
ME4104	70R5770
N4783001	77R8330
NA0151	76R5716
NA1005	76R6960
NA1015	76R6810
NA1025	76R7100
NA1035	76R7050
NA1040	76R6150
NA1055	76R6110
NA1090	76R6960
NA1095	76R6310
NA1110	76R5500

CLIMATECH	
NA1145	76R5000
NA1160	76R6600
NA1170	76R6700
NA1175	76R7070
NA1180	76R6950
NA1190	76R6180
NA1195	76R6500
NA1200	76R4900
NA1215	76R7520
NA1225	76R5600
NA1230	76R6350
NA1245	76R7100
NA1250	76R7400
NA1295	76R6040
NA1305	76R6810
NA1415	76R7507
NA1465	76R7505
NA1470	76R7040
NA1501-015	76R6668
NB1005	76R7010
NB1015	76R6130
NB1025	76R7500
NB1030	76R6110
NB1035	76R5520
NB1040	76R6000
NB1045	76R7510
NB1050	76R6120
NB1060	76R6110
NB1065	76R5200
NB1075	76R6160
NB1080	76R7550
NC1000	76R6850
PA0125	77R6957
PA1005	77R1100
PA1145	77R0090
PA1150	77R8100
PA1155	77R6200
PA1160	77R7702
PA1170	77R6900
PA1175	77R0100
PA1185	77R0670
PA1190	77R0900
PA1195	77R0700
PA1200	77R7900
PA1205	77R0620
PA1225	77R0250
PA1230	77R0150
PA1245	77R0350
PA1250	77R0800
PA1260	77R7900
PA1275	77R7708

O.E.M. PART NUMBER CROSS REFERENCE

Convert Other Part Numbers to Red Dot Aftermarket Numbers

CLIMATECH	
PA1370	77R1100
PA1445	77R1100
PA1450	77R0950
PA1465	77R0150
PA1485	77R0150
PA1505	77R1407
PB1005	77R9010
PB1025	77R0650
PB1030	77R0950
PB1035	77R0665
PB1045	77R0500
PB1050	77R6800
PB1055	77R1100
PB1070	77R0250
PB1075	77R0530
PB1085	77R7900
PB1090	77R5910
PB1095	77R8200
PB1100	77R5550
PB1105	77R1280
PB1110	77R1290
PB1115	77R1300
PB1120	77R6900
PB1130	77R0150
PB1175	77R0100
PB1240	77R0570
PB1260	77R1300
PB1295	77R6805
PB1300	77R5245
PB1370	77R5270
PB1375	77R1280
PB1380	77R1295
PB1390	77R1290
PB1395	77R1310
PB1420	77R1150
PB4015	77R6950
PD1005	77R9010
QB1265	75R5005
RA1000	73R0552
RA1010	R-255-0P
RA1015	RD-3-3950-1P
RA1025	R-290-0P
RA1030	R-254-1P
RA1060	R-255-1P
RA1065	R-254-0P
RA1085	R-4013HP
RA1090	R-295-4P
RA1095	R-6100-0P
RA1105	R-8230-0P
RB1000	70R3256
RB1025	75R5200

CLIMATECH	
SR2000019	76R2500
SR2000049	78R5420M
SR2000057	78R5308
SR2000060	76R3250
TB1000	70R3256
TB1025	75R5200
UB1010	RD-3-3949-0P
UB1020	RD-3-2307-0P
UB1040	RD-3-3990-0P
UB1180	RD-5-5800-0P
UB1295	RD-3184-6P
UB1305	RD-3-3300-0P
UB1330	RD-5-4253-0P
UC1005	70R3590
UC1010	70R3550
UC1015	70R3590
UC1025	70R3500
UC1035	79R1020
UC1065	70R2201
UC1085	70R1592
UC1100	79R5020
UC1115	79R1255
UC1120	79R3000
UC1130	79R4040
UC1170	70R2206
UC1175	79R5025
UC1180	79R5030
UC1185	79R5050
UC1335	79R3125
UC1340	79R3127
UC1345	79R1800
UC1390	79R1255
UD1005	RD-3-5395-0P
UD1010	RD-2-1607-0P
UD1020	RD-3-3321-0P
UD1055	RD-3-5963-1P
UD1065	RD-5-3876-0P
UD1070	70R7200
UD1120	70R7270
UE1000	71R9002
UE1100	79R4400
UF1115	79R5025
UG1150	79R3173
UG1155	79R3171
UG1160	79R3175
UN1130	R-6830-0P
UN1140	R-6900-0-24P
VA1070	79R4650
VA1105	79R4655
VA1165	79R4655
VB1000	75R9670

CLIMATECH	
VC1040	RD-5-6052-0P
VC1055	RD-5-6051-0P
VC1065	RD-5-6051-3P
VC1070	RD-5-4825-9P
VC1090	71R8510
VC2000	79R4600
VC2010	79R4605
VC2015	79R4615
VD1005	75R9790
VD1010	75R9970
VD1015	75R9890
VD1020	75R9000
VD1025	75R9180
VD1030	75R9220
VD1035	75R6010
VD1045	75R9010
VD1055	75R9980
VF1000	75R6520
VF1010	RD-2-1398-0P
VF1030	78R1025
VF1035	78R1505
VG1000	75R5520
VG1025	75R6520
VH1005	70R5000
VH1020	70R5005
VH1055	75R5829
VH1060	75R5820
VH1065	75R5819
VH1080	75R5575
VH1085	75R5565
VH1090	75R5827
VH1095	75R5824
VH1100	75R5825
VH1105	75R5510
VH1110	75R5512
VH1115	70R5120
VH1120	70R5120
VH1140	79R1650
VH1145	70R5110
VH1150	75R5560
VH1155	75R5570
VH1160	70R5020
VH1165	75R5500
VH1170	70R5110
VH1175	70R5110
VH1180	75R5834
VH1185	75R5540
VH1220	75R5510
VH1225	75R5512
VH1240	75R5824
VH1245	75R5827

CLIMATECH	
VH1250	75R5815
VH1255	75R5819
VH1260	75R5829
VH1265	75R5834
VH1270	75R6510
VK1005	75R6041
VK1050	75R9060
VK1070	70R5010

CROSS REFERENCE

O.E.M. PART NUMBER CROSS REFERENCE

Convert Other Part Numbers to Red Dot Aftermarket Numbers

DCM MOTOR	
D001-018	73R0232
D001-031	RD-2-0781-7P
D001-428	73R0652
D001-428G	73R0652
D001-429	73R0602
D001-432	73R4102
D001-483A	73R0042
D001-589	73R0142
D001-665	73R0092
D001-739	73R0152
D001-740	73R0522
TA11A2003	RD-5-9018-OP

DEUTZ-ALLIS	
003-3938	75R0452
003-4221	71R2250
003-4228	74R2526
003-4530	75R4502
003-4532	75R7280
003-4579	73R4162
003-4583	74R2526
003-4586	71R8100
003-4607	73R0522
003-4619	71R2250
118-2664	75R3452
118-3560	73R0092
119-2657	73R0092
205840,BSM203085,	
2809-551-007	73R4322
431-7577	73R4102
431-7737	73R0422
4322165	71R8301
433-9305	73R4102
70257681-0, HV33208	73R0532
70268464, 70264644-6,	
70275847	74R0401
70272229	71R2250
RD-5-7061-2	74R2527
RDH RD5 5571 0	74R1806

DTAC	
01-05510	75R8382
01-05511	75R8252
01-05513	75R8312
01-05515	75R8372
01-05516	75R5575
01-05627	75R8422
01-05652	75R8424
02-16004	73R8050
02-16013	73R6251
02-16048	73R7151
02-17004	73R0552
02-17005	73R5562
02-17017	73R0422
02-17028	73R1052
02-17032	73R2102
02-17040	73R4182
02-18002	73R0522
03-14005	71R2700
03-14006	71R3100
03-14012	71R2800
03-14013	71R3200
04-15001	71R8210
04-15002	71R8050
04-15003	71R8100
04-15009	71R8400
04-15014	71R8500
04-15015	71R8503
06-12007	74R2556
06-12015	74R2106
06-12020	74R1756
06-12062	74R0460
07-37004	77R0350
07-37005	77R0500
07-37011	77R0800
07-37014	77R0100
07-37029	77R6200
07-37031	77R6900
07-37044	77R0250
07-37045	77R0900
07-38006	77R0950
07-38012	77R0560

EATON	
329-054	71R8321
329-403	71R8321
329-413	71R8321
329-447	71R8400
329-470	71R8400
329-474	71R8350
540053	71R8415
540056	71R8420
644016-01	71R8425
644017-01	71R8425
712-045	74R2706
712-088	74R1706
712-157	74R1856
712-224	74R1806
712-225	74R1856
712-229	74R2536
712-234	74R2556
712-579	74R1756
826-003	71R8080
826-004	71R8090
826-012	71R8210
826-062	71R8100
929-435	71R8440
929-436	71R8405
929-439	71R8405
929-462	71R8430
929-466	71R8415
929-493B	71R8440
929-498	71R8420
929-503	71R8415
929-505A	71R8430
929-506	71R8405
929-506A	71R8405
9533N178	71R2250
9533N357	71R2200
9533N376	71R2200
9533N395	71R2100
9533N397	71R2250
9533N399	71R2300
9533N405	71R2800
9533N407	71R3100
9533N411	71R2200
9533N415	71R2100
9533N416	71R2100
9533N417	71R2200
9533N419	71R2250
9533N420	71R2250
9533N422	71R2250
9533N424	71R2305
9533N425	71R2300
9533N473	71R3150

EATON	
9533N476	71R2605
9533N478	71R3220
9533N522	71R3220
9533N538	71R3100
9533N553	71R3155
9537N301	71R2800

O.E.M. PART NUMBER CROSS REFERENCE

Convert Other Part Numbers to Red Dot Aftermarket Numbers

FASCO	
2807-406-011	73R0092
2807-406-094	73R0072
2807-410-001	73R0092
2807-508-043	73R0092
2807-510-009	73R0232
2807-510-076	73R4102
2807-510-105	73R4104
2807-510-143	73R4102
2807-510-155	73R4104
2807-512-001	73R0602
2807-513-015	73R0552
2807-513-056	73R0552
2807-513-080	73R0552
2807-513-083	73R0552
2807-513-100	73R0602
2807-513-101	73R0652
2807-513-106	73R0552
2807-513-117	73R0142
2807-513-133	73R4104
2807-513-152	73R0142
2807-513-163	73R0652
2807-513-170	73R0142
2807-513-175	73R0602
2807-516-013	73R0552
2807-516-039	73R0552
2807-516-056	73R1052
2807-516-067	73R0552
2807-517-005	73R0232
2807-517-007	73R0232
2807-517-012	73R0702
2807-517-018	73R0604
2807-517-019	73R0602
2807-517-041	73R0552
2807-517-043	73R0552
2807-530-001	73R0602
2807-530-002	73R0552
2807-541-010	73R0232
2807-541-167	73R4252
2808-541-008	73R0512
2809-515-007	RD-5-4387-0P
2809-515-019	73R0532
2809-540-002	RD-5-4387-0P
2809-540-003	73R0532
2809-540-006	73R0222
2809-540-036	73R0222
2809-540-053	73R0222
2809-540-056	73R0322
2809-540-061	73R0222
2809-540-065	73R0642
2809-540-074	73R0222
2809-540-080	73R0522

FASCO	
2809-540-081	73R0532
2809-541-001	73R4322
2809-541-003	73R0404
2809-541-005	73R0532
2809-541-008	73R0512
2809-541-009	73R4182
2809-541-021	73R0962
2809-541-024	73R0422
2809-541-025	73R0432
2809-541-040	73R0542
2809-541-041	73R0514
2809-541-047	73R3002
2809-541-065	73R0642
2809-541-087	73R0222
2809-541-098	73R3082
2809-541-113	73R0402
2809-541-117	73R0422
2809-541-139	73R0962
2809-541-163	73R4182
2809-541-164	73R0422
2809-541-165	73R0512
2809-541-166	73R0514
2809-541-167	73R4252
2809-541-175	73R0912
2809-541-176	73R0922
2809-541-177	RD-5-4387-0P
2809-541-216	73R3082
2809-541-223	73R0542
2809-541-224	73R0432
2809-541-225	73R0962
2809-550-008	73R0232
2809-550-009	73R0702
2809-550-011	73R0332
2809-550-019	73R0332
2809-550-066	RD-5-9102-0P
2809-550-077	73R0442
2809-550-087	73R0222
2809-550-099	73R3032
2809-551-007	73R4322
2809-551-008	73R4532
2809-551-020	73R4532
2809-551-021	73R4182
2809-551-051	73R4532
2809-560-034	73R4274
2809-820-015	73R5562
2809-841-007	73R4254
2809-841-028	73R3002
2809-841-029	73R3002
2809-841-035	73R3002
2809-841-036	73R3022
2809-850-053	73R3062

FASCO	
2809-850-062	73R3062
2819-422-001	73R0092
2819-530-002	73R4062
2819-530-008	73R4182
2819-530-016	73R4062
2819-530-024	73R4182
2819-530-027	73R4162
2819-530-044	73R4102
2819-540-022	73R0322
2819-540-038	73R0702
2819-540-425	73R0532
2819-541-009	73R0702
2819-541-010	73R0232
2819-550-010	73R2262
2819-550-014	73R0522
2819-550-015	73R4162
2819-550-018	73R0522
2819-550-029	73R4162
2819-550-034	73R2262
2829-550-009	73R0612
2890-551-001	73R4322
2898-091-005	RD-5-9102-0P
2898-091-012	73R3032
2908-551-050	73R4322

FIAT-ALLIS	
04363723-0	75R7280
1162408-7	73R4162
1162472	71R2300
1162474	71R2250
1162968-0	71R6300
1175262-3	71R1210
1175326	73R0152
1175327	73R0092
1182664-1	75R4502
1183560	73R0522
1188287-5	73R0522
1192657	73R0092
1195109	71R1160
256818	74R1756
268464	74R4116
268476	71R2250
268708	71R6300
577454	71R1210
586082	71R1210
70257336-1	73R4162
71182664-4	75R4502
71188287	73R0522
71195109-5	71R1160
71336550	75R7280

FLEETPRIDE	
ZGG710027	76R2320
FLEETRITR	
FLT4392QS	75R84182
FLT4417Q	75R81302Q
FLT4417QS	75R82312Q
FLT4421Q	75R81282Q
FLT4424Q	75R84292Q
FLT4425Q	75R81632Q
FLT4426Q	75R8772Q
FLT4428Q	75R84632
FLT4430Q	75R81232Q
FLT4431Q	75R81262
FLT4432Q	75R81662Q
FLT4475Q	75R84212
FLT4644Q	75R8382Q
FLT4645Q	75R81452
FLT4695Q	75R8432
FLT4713Q	75R8472Q
FLT4716Q	75R81762
FLT4735Q	75R84172
FLT4761Q	75R81352Q
FLT4815Q	75R84302Q
FLT4816Q	75R81292Q
FLT4821Q	75R84262Q
FLT4883Q	75R81622Q
FLT4890Q	75R84382Q
FLT4891Q	75R81372Q
FLT4892Q	75R81362Q
FLT4893Q	75R81652Q
FLT4896Q	75R81692
ZGG11006	74R1856
ZGG11019	71R1160
ZGG11028	73R2212
ZGG11032	73R0602
ZGG11041	75R8222
ZGG11042	75R8292
ZGG11048	71R2250
ZGG11065	75R8292
ZGG11069	71R7050
ZGG11074	71R6300
ZGG11092	74R2667
ZGG11134	70R5110
ZGG11207	75R0202
ZGG11246	71R8503
ZGG112569	73R4062
ZGG11403	75R5200
ZGG11436	77R1100
ZGG11444	73R4062
ZGG11513	75R5540
ZGG11514	75R5500

CROSS
REFERENCE

O.E.M. PART NUMBER CROSS REFERENCE

Convert Other Part Numbers to Red Dot Aftermarket Numbers

CROSS
REFERENCE

FLEETRITE	
ZGG11529	75R2702
ZGG11549	75R1652
ZGG11551	75R2702
ZGG11556	75R4352
ZGG11561	75R2402
ZGG11566	75R1202
ZGG11567	75R3602
ZGG11590	71R1210
ZGG11592	71R0100
ZGG11599	71R1210
ZGG11601	71R0050
ZGG11604	71R0600
ZGG11635	73R0552
ZGG11642	73R0522
ZGG11643	73R0232
ZGG11645Q	73R4182
ZGG11680	79R4400
ZGG11753	70R2076
ZGG11753S	70R2076S
ZGG11816	74R2406
ZGG11828	74R0906
ZGG11837	71R2800
ZGG11838	71R8050
ZGG11844	71R2250
ZGG11845	71R8100
ZGG11929	71R2700
ZGG12028	71R2800
ZGG12029	71R8080
ZGG12032X	74R3450
ZGG12050S	70R2078S
ZGG12061	74R2526
ZGG12091S	70R4291
ZGG12092S	70R4201
ZGG12108	75R5700
ZGG12117S	70R2072
ZGG12135	75R0452
ZGG12136	75R3452
ZGG12141	75R0302
ZGG12213	75R7280
ZGG122151	77R0950
ZGG12218	75R5611
ZGG12249	71R6050
ZGG12286	75R5611
ZGG12320	74R1956
ZGG12465	75R5718
ZGG12466	75R5711
ZGG12569	73R4062
ZGG12603	73R2102
ZGG12607	73R0552
ZGG12608	73R0152
ZGG12631	71R2100

FLEETRITE	
ZGG12712	77R1100
ZGG12886	73R4062
ZGG13304	75R4734
ZGG13403	74R2667
ZGG13423	74R2106
ZGG13437	74R2106
ZGG13468	70R7200
ZGG13469	70R7100
ZGG13472	70R7310
ZGG13474	72R5600
ZGG13477	70R7310
ZGG13486	71R0400
ZGG13490	71R0550
ZGG13503	75R81472
ZGG13582	73R0232
ZGG13615	71R8321
ZGG13628	73R0702
ZGG13634	73R2262
ZGG13729	73R2152
ZGG13867	71R8500
ZGG14191	75R0402
ZGG14469	71R0480
ZGG14512	71R1460
ZGG14525	72R5500
ZGG14590	75R8342
ZGG14591	75R8522
ZGG14593	75R85032
ZGG14611	71R1460
ZGG14700	71R8400
ZGG14811	73R4102
ZGG14832	71R8090
ZGG14855	71R6070
ZGG14870	71R7075
ZGG14891	75R7290
ZGG15011	71R0500
ZGG15024	71R6220
ZGG15371	74R0450
ZGG15388	73R2202
ZGG15390	73R2112
ZGG15645	71R6095
ZGG15648	74R5063
ZGG15701	75R7280
ZGG16001	71R2200
ZGG16002	71R3100
ZGG16004	71R3155
ZGG16006	71R2500
ZGG16008	71R2800
ZGG16010	71R2200
ZGG16242	71R8504
ZGG16244	71R8505
ZGG16249	73R2102

FLEETRITE	
ZGG16289	71R8370
ZGG16298	73R0522
ZGG16311	74R3106
ZGG16315	75R81702
ZGG16317	73R4182
ZGG16336	71R1620
ZGG16450	74R1806
ZGG16465	77R0900
ZGG16466	77R6900
ZGG16475	77R0500
ZGG16484	74R3306
ZGG16519	71R0487
ZGG16520	71R1702
ZGG16523	71R0450
ZGG16529	71R6095
ZGG16588	71R0300
ZGG16596	71R0400
ZGG16601	71R1450
ZGG16643	72R0220
ZGG16653	75R8522
ZGG16655	71R0550
ZGG16662	71R2605
ZGG16663	71R0250
ZGG16664	71R0100
ZGG16665	71R1463
ZGG16684	72R0200
ZGG16709	75R8224
ZGG16824	75R5705
ZGG16884	78R0200
ZGG16886	78R0250
ZGG16888	78R0300
ZGG16964	71R8500
ZGG16971	78R0456
ZGG16972	78R0458
ZGG16973	78R0451
ZGG16974	78R0452
ZGG17003	71R9002
ZGG17007	72R6530
ZGG17008	72R6520
ZGG17013	72R6420
ZGG17014	72R5260
ZGG17030	72R6515
ZGG17031	72R5040
ZGG17033	72R5040
ZGG17034	72R5050
ZGG18003	75R5814
ZGG18011	75R5829
ZGG18012	75R5819
ZGG18013	75R5824
ZGG18014	75R5827
ZGG18015	75R5815

FLEETRITE	
ZGG18016	75R5820
ZGG18018	75R5510
ZGG18019	75R5512
ZGG18414	75R0612
ZGG18416	75R5698
ZGG18417	75R5691
ZGG18420	75R5618
ZGG18425	75R5731
ZGG18470	75R5819
ZGG18471	75R5820
ZGG1850	71R6050
ZGG19000	71R8510
ZGG19005	79R1650
ZGG19036	70R5056
ZGG19038	70R5058
ZGG19042	75R8442
ZGG19056	74R3455
ZGG19057	71R8080
ZGG19058	71R8380
ZGG19062	75R8612
ZGG19064	70R5110
ZGG19065	75R5560
ZGG19066	75R5570
ZGG19072	RD-5-8638-1P
ZGG19129	70R5020
ZGG19134	74R3147
ZGG19135	74R3330
ZGG19136	74R3309
ZGG19137	74R3309
ZGG19138	74R3327
ZGG19139	74R3310
ZGG19141	74R3356
ZGG19142	74R2606
ZGG19143	74R3346
ZGG19144	74R3322
ZGG19145	74R3076
ZGG19147	74R2616
ZGG19148	74R2667
ZGG19150	74R1427
ZGG19158	79R1525
ZGG19219	76R2400
ZGG19225	71R1455
ZGG19226	71R8370
ZGG19227	71R7075
ZGG19228	76R2155
ZGG19229	76R7515
ZGG19230	73R3002
ZGG19234	71R1455
ZGG19235	76R7040
ZGG19240	71R1160
ZGG19243	71R6220

O.E.M. PART NUMBER CROSS REFERENCE

Convert Other Part Numbers to Red Dot Aftermarket Numbers

FLEETRITE	
ZGG19245	73R0432
ZGG19246	76R6150
ZGG19251	72R6400
ZGG19254	75R7290
ZGG19257	75R8352
ZGG19263	73R6381
ZGG19269	73R0552
ZGG19276	71R8405
ZGG19278	75R83152
ZGG19280	71R7550
ZGG19281	72R5200
ZGG19296	75R8422
ZGG19297	75R81452
ZGG19298	71R6110
ZGG19299	71R6070
ZGG19310	75R1202
ZGG19311	75R0302
ZGG19315	71R8503
ZGG19316	75R81582
ZGG19318	71R8503
ZGG19319	75R8252
ZGG19320	75R0512
ZGG19323	75R0522
ZGG19325	76R7040
ZGG19341	73R0652
ZGG19343	73R0652
ZGG19344	73R0552
ZGG19348	73R4182
ZGG19350	73R0322
ZGG19356	79R4561
ZGG19357	74R2676
ZGG19370	75R84362
ZGG19409	71R8500
ZGG19413	71R8501
ZGG19425	74R0450
ZGG19453	74R5095
ZGG19472	75R5540
ZGG19499	75R5520
ZGG19502	70R5056
ZGG19506	70R5058
ZGG19510	70R5051
ZGG19514	70R5052
ZGG19518	75R5525
ZGG19529	70R5042
ZGG19533	75R5525
ZGG19540	70R5120
ZGG19541	70R5125
ZGG19730	75R81472
ZGG19776	75R1302
ZGG19778	75R8342
ZGG19786	74R5050

FLEETRITE	
ZGG19837	71R8405
ZGG19841	75R0682
ZGG19844	74R3450
ZGG701004	73R4182
ZGG701005	73R0442
ZGG701009	73R0532
ZGG701013	73R0962
ZGG701016	73R3032
ZGG701017	73R0222
ZGG701022	73R0402
ZGG701024	73R3062
ZGG701043	73R2142
ZGG701052	73R2132
ZGG701057	73R4602
ZGG701058	73R2212
ZGG701059	73R4162
ZGG701060	73R0642
ZGG701064	73R0652
ZGG701071	73R4322
ZGG701081	73R5592
ZGG701082	73R3002
ZGG701085	73R0412
ZGG701089	73R0642
ZGG702005	73R6383
ZGG703007	73R9082
ZGG704000	75R0502
ZGG704001	75R1512
ZGG704005	75R0222
ZGG704007	75R1412
ZGG704025	75R4732
ZGG704026	75R4722
ZGG704027	75R4702
ZGG704028	75R4742
ZGG704032	75R4752
ZGG705001	75R84492
ZGG705002	75R8292
ZGG705003	75R8512
ZGG705004	75R85932
ZGG705006	75R81482
ZGG705007	75R84492
ZGG705008	75R81462
ZGG705009	75R81512
ZGG705010	75R84152
ZGG705011	75R84182
ZGG705012	75R84172
ZGG705013	75R81262
ZGG705014	75R84212
ZGG705015	75R84192
ZGG705016	75R81502
ZGG705017	75R81352
ZGG705019	75R8232

FLEETRITE	
ZGG705020	75R83112
ZGG705022	75R81282
ZGG705023	75R8292
ZGG705026	75R7312
ZGG705028	75R7322
ZGG705030	75R86202
ZGG705033	75R85932
ZGG705034	75R8542
ZGG705035	75R86092
ZGG705037	75R86152
ZGG705038	75R86152
ZGG705039	75R86092
ZGG705040	75R85832
ZGG705044	75R8712
ZGG705050	75R8702
ZGG705052	75R8544
ZGG705057	75R8522
ZGG705058	75R7300
ZGG705059	75R8632
ZGG705061	75R81472
ZGG705094	75R8917
ZGG705095	75R8907
ZGG705096	75R8910
ZGG705097	75R8909
ZGG705128	75R8722
ZGG705129	75R8742
ZGG705133	75R81192
ZGG705134	75R8732
ZGG705138	75R89462
ZGG705139	75R89302
ZGG705140	75R89312
ZGG705142	75R89334
ZGG705144	75R89352
ZGG705146	75R89354
ZGG705148	75R89372
ZGG705150	75R89374
ZGG705152	75R89392
ZGG705157	75R89474
ZGG705161	75R89484
ZGG705168	75R85734
ZGG705170	75R8612
ZGG705174	75R8214
ZGG705175	75R8384
ZGG705176	75R8322
ZGG705177	75R8424
ZGG705178	75R84492
ZGG705180	75R89424
ZGG705181	75R89422
ZGG705232	75R81302
ZGG706009	75R5658
ZGG706010	75R5621

FLEETRITE	
ZGG706015	75R5728
ZGG706016	75R5721
ZGG706017	75R5678
ZGG706018	75R5671
ZGG706019	75R5672
ZGG706026	75R5808
ZGG706027	75R5801
ZGG706039	75R5201
ZGG707000	77R7708
ZGG707001	77R7900
ZGG707002	77R0650
ZGG707005	77R5350
ZGG707012	77R1407
ZGG707024	77R0150
ZGG708014	76R7050
ZGG708015	76R6150
ZGG708016	76R6110
ZGG708018	76R6310
ZGG708021	76R6700
ZGG708022	76R6950
ZGG708023	76R6180
ZGG708026	76R5600
ZGG708027	76R6350
ZGG708028	76R6000
ZGG708029	76R6850
ZGG708033	76R7510
ZGG708034	76R6140
ZGG708035	76R7010
ZGG708050	76R7507
ZGG708060	76R7505
ZGG709002	71R8440
ZGG709004	71R8100
ZGG709005	71R8210
ZGG709006	71R8504
ZGG709007	71R8370
ZGG709010	71R8350
ZGG709020	71R8430
ZGG709021	71R8420
ZGG709023	71R8370
ZGG710010	76R2600
ZGG710012	76R3250
ZGG710016	76R2350
ZGG710018	76R3460
ZGG710020	76R2400
ZGG710024	76R3300
ZGG710026	76R1900
ZGG710033	76R2500
ZGG710035	76R3930
ZGG711003	71R6040
ZGG711004	71R7000
ZGG711008	71R7075

CROSS REFERENCE

O.E.M. PART NUMBER CROSS REFERENCE

Convert Other Part Numbers to Red Dot Aftermarket Numbers

CROSS REFERENCE

FLEETRITE	
ZGG711009	71R7077
ZGG711013	71R6210
ZGG711021	71R6255
ZGG711022	71R6093
ZGG711043	75R5200
ZGG712002	74R5060
ZGG712004	74R1406
ZGG712005	74R3106
ZGG712006	74R3376
ZGG712009	74R3313
ZGG712010	74R3126
ZGG712014	74R5065
ZGG712015	74R5067
ZGG712033	74R3140
ZGG712036	74R5063
ZGG712037	74R5093
ZGG712049	74R2706
ZGG712051	74R2002
ZGG713002	71R1704
ZGG714010	71R1455
ZGG715004	71R0200
ZGG715005	71R1210
ZGG715006	71R0460
ZGG715007	71R0460
ZGG715009	71R0260
ZGG71600	71R3220
ZGG716012	71R3220
ZGG720001	78R5239
ZGG720008	78R5435
ZGG720011	78R5235
ZGG722040S	70R4446S
ZGG722041	70R4996
ZGG722042	70R4998
ZGG722043	70R4991
ZGG722044	70R4416S
ZGG722050	70R2092
ZGG722051S	70R2071S
ZGG722052S	70R2072S
ZGG722053S	70R2406S
ZGG722054S	70R2408S
ZGG722055S	70R2401S
ZGG722056S	70R2402S
ZGG722057	70R2116
ZGG722058	70R2118
ZGG722059	70R2112
ZGG722061	70R2111
ZGG722070	70R3590
ZGG726001	71R4030
ZGG726005	71R4010
ZGG728014	79R3127
ZGG728020	79R3125

FLEETRITE	
ZGG728029	79R1800
ZGG728053	79R4020
ZGG728054	79R4040
ZGG730001	71R9002
ZGG730002	71R9002
ZGG731000	72R8250
ZGGR6912	79R4550
ZGGR725009	79R4563
ZGGR725013	79R4595
ZGGR725028	79R4580
ZGH51199	75R6000
ZGH51200	75R6010
ZGHS12731	79R3178
ZGHS12732	79R3179

FORD - NEW HOLLAND (FNH)	
024-25078, MA6, MAE6AR	75R0452
088423-00	74R2537
143469-C2	74R4027
274571	71R8050
3901517M1	71R8321
404146 / EA1090	71R8400
4709, 7862, 8023	75R81552
6574-6210, 6514-6210	75R0202
6629	75R84572
6631	75R81462
696524, RD-5-7565-0	74R3537
763787	74R2537
79840, E1NN-19849A	71R8301
80417372	74R1426
80449624	71R8100
86507374	74R2667
89832539	74R3537
97005763	71R8301
9705765	74R3140
9705770	74R3157
9824775, 4637	75R84522
9827050	74R3322
9827053	74R2306
A22-28796-000	74R2608
D3AH-18949AA	71R8050
D5NN19D649A	75R0452
D6AH-19849AA	71R8100
D8NN-19849A	71R8210
E7NN-19849A, 80449624	71R8100
PH 088193-00	74R2608

FORD / STERLING	
1F1H-19E889A	75R5525
1W7Z-19805BA	73R2112
220990	71R1463
2C2Z-19C836BA	74R5079
2C3Z-19C836AA	74R5089
47908	75R3502
47927	75R0522
47928	75R0682
47935	75R0422
4C4H-19703AA	75R81292
4C4H-19703DA	75R81502
4C4H19808-AA	74R5095
4C4H-19C808-AA	74R5095
4C4Z-19703-DA	75R81502
5C3Z-19C836AA	74R5089
95BW-19E561AA	71R6257
B7A-18527-B	73R0552
B8T-184527A	73R0552
B8T-18504-B	73R8110
B9A-18527-A	73R0602
COAF-18527-D	73R0102
C3UZ-18495A	72R5050
C3UZ-18495-A	72R5040
C3UZ-18495B	72R5050
C3UZ-18495-B	72R5050
C4TZ-2884-B	75R3602
C5AZ-18495B	72R5040
C5AZ-18504-B	73R8050
C5TZ-18527A	RD-5-4387-0P
C5TZ-2884-B	75R3602
C5TZ-2884-C	75R3002
C5TZ-2884-D	75R3602
C5TZ-9652-A	78R0400
C5UZ-2884-A	75R4502
C5UZ-2884-A, C	75R3452
C60Z-19618-A	71R3100
C6TZ-19959A	74R2406
C6TZ-19959-A	74R2406
C7AZ-19618-A	71R2100
C7AZ-19805-B	73R4102
C7AZ-2884-B	75R1202
C7TZ-18527D	73R0552
C7TZ-19618-A	71R2700
C80Z-19849-A	71R8301
C8SZ-18A435	78R0250
C8SZ-18A435-B	78R0250
C8TZ-18527A	73R2152
C8TZ-18527-A	73R2152
C8TZ-19618A	71R2700
C9AZ-19703B	75R7280
C9UZ-19805A	73R2242

FORD / STERLING	
C9ZZ-19849A	71R8210
COA-F18527-D	73R0102
DOHZ-18A568-A	70R7250
DOHZ-19618A	71R2700
DOHZ-19986A	71R0485
DOHZ-19986-A	71R0485
DOTZ-19618A	71R2100
D1HZ-2884-B	75R1402
D1RY-19986-A	71R1150
D1VY-19D653	75R0202
D2AZ-2884-A	75R0452
D2FZ-19655A	75R6510
D2NN-19D649-A	75R4502
D2ZZ-19V703A	75R7280
D3DZ-19618-A	71R3200
D3DZ-19681-A	71R3200
D3HZ-19959A	74R2526
D3HZ-19959-A	74R2556
D3HZ-9A675-A	78R0300
D3NN-19618-A	71R2300
D3NN-19825-A	74R2406
D3TZ-18527A	73R0152
D3TZ-19805A	73R2152
D3TZ-19926-B	78R0350
D4FZ-19703B	75R7290
D4FZ-2884-A	75R0452
D4ZZ-19618-B	71R2250
D4ZZ-19926-B	78R0200
D5AZ-19986 A	71R0487
D5AZ-19986A	71R0487
D6DZ-19849-A	71R8350
D7HS-19959-AA	74R1756
D7HS-88295-AA	72R1502
D7TZ-19805A	73R2242
D8HZ-18527-A	73R0422
D8HZ-19703B	75R8102
D8TZ-19618-A	71R2600
D9HZ-18527A	73R0552
D9HZ-18599-A	70R7750
D9HZ-18599-K	70R7150
D9ZZ-19V703A	75R7290
E0HZ-18527B	73R2152
E0TZ-19805A	73R2112
E0TZ-19805-B	73R0402
E0VH-19A642-AA	71R0487
E0VY-19805A	73R2112
E0VY-19D940A	71R8503
E0VY-19D990A	71R8503
E0VY-19E561A	71R6095
E1FZ-19703B	75R84512
E2DZ-19E561B	71R6095

O.E.M. PART NUMBER CROSS REFERENCE

Convert Other Part Numbers to Red Dot Aftermarket Numbers

FORD / STERLING	
E2LY-19703A	75R8906
E2TZ-18527A	73R2202
E2TZ-19805A	73R2112
E35H-19E561AA	71R6095
E35Y-19E561A	71R6095
E3AZ-2A987-A	75R4732
E3LY-19D786	75R0302
E3TZ-18527A	73R2202
E3TZ-19C836B	74R5063
E49Z-19C836C	74R5073
E4HS-14086-AA	71R7550
E4HZ-19703F	75R81192
E4TZ-19703C	75R84512
E4TZ-2884A	75R4722
E59H-19D990AA	71R8505
E5LZ-19D784-A	75R3002
E69Z-19C836A	74R5057
E69Z-19C836B	74R5055
E69Z-19D990A	71R8505
E6FZ-19703B	75R84512
E6VY-19703A	75R8906
E7D7-19E561	71R6095
E7GZ-19703B	75R8292
E7GZ-19703BA	75R84512
E7HT-18C535AA	71R0485
E7HT-19959CA	74R3316
E7HZ-19618-A	71R2700
E7HZ-19618AA	71R2700
E7HZ-19959A	74R3140
E7TZ-19703B	75R8906
E7TZ-19860A	76R7507
E7TZ-19860-A	76R7507
E7TZ-19C836A	74R5063
E7VY-19703A	75R8916
E8AZ-19703A	75R84512
E8AZ-19703B	75R84512
E8AZ-19703C	75R84512
E8HF-19805AA	73R2152
E8HT-19D629CA	75R8342
E8HZ-19959-A	74R3316
E8HZ-2884A	75R1522
E8HZ-984A	75R1522
E8LH-19D798BA	75R4722
E8TZ-19703A	75R84512
E8UF-19805AA	73R2132
E8UZ-18527A	73R2122
E8UZ-19D990-A	71R8504
E92H-19D990A	71R8504
E93Z-19703B	75R81702
E9GY-19703C	75R84512
E9HT-19805AA	73R2152

FORD / STERLING	
E9HZ-19703A	75R8342
E9HZ-19A706	71R1460
E9TH-19805AA	73R2122
E9TZ-19703B	75R84512
E9TZ-19703C	75R84512
EDE6LH-19805DA	73R4102
EOV-19D990A	71R8503
FOHT-18C535AA	71R0475
FOHT-18C535-AA	71R0475
FOHZ-19959B	74R3140
FOHZ-19986A	71R0475
FOHZ-19D786A	75R1522
FOTH-19B808BA	74R5063
FOTH-19C836BA	74R5063
FOTZ-19703D	75R84512
F1HH-19805AB	73R2212
F1HZ-19712A	77R5245
F1HZ-19805A	73R2212
F1HZ-19805-A	73R2212
F1HZ-19860A	76R7505
F1HZ-19986A	71R0487
F20H-19D786-AA	75R4742
F2DZ-19D990A	71R8504
F2HZ19712A	77R5245
F2HZ-19712A	77R5245
F2HZ-19959-A	74R3316
F2TZ-18527A	73R2122
F2UZ-19805A	73R2142
F2UZ-19805-A	73R2142
F2UZ-19C836A	74R5065
F37Z-19703D	75R84512
F39Z-19C836A	74R5055
F39Z-19D990A	71R8506
F3AH-19E561AA	71R6093
F3AZ-19E561A	71R6093
F3DZ-19C836A	74R5065
F3HT-19D629AB	75R81252
F3HT-19D629BA	75R81202
F3SY-19D990A	71R8503
F3UH-19846AA	73R2142
F3XY-19D990A	71R8503
F40Y-19703A	75R8919
F47Z-19805A	73R2202
F49Z-19C836A	74R5073
F49Z-19C836D	74R5071
F4HH-19805AA	73R2212
F4HH-19E647AA	74R5093
F4HT-19D629AA	75R81252
F4HT-19D629BA	75R81202
F4HT-19D629-CA	75R84152
F4HZ-19712A	77R6805

FORD / STERLING	
F4HZ-19C836 A	74R5093
F4HZ-19C836A	74R5093
F4HZ-19D786A	75R1432
F4HZ-19D786-A	75R1432
F4HZ-19D786B	75R1512
F4HZ-19D786C	75R1542
F4HZ-19D786D	75R1512
F4TH-19805AA	73R2212
F4TZ-19712B	77R1407
F4TZ-19712D	77R1407
F4UZ-19C836A	74R5067
F4UZ-19D990A	71R8505
F4VH-19805AA	73R2112
F4VZ-19805BD	73R2112
F5DZ-19D990AB	71R8504
F5HZ-19712B	77R1417
F5HZ-19712C	77R1419
F5HZ-19712CA	77R1411
F5HZ-19712E	77R1421
F5HZ-19721B	77R1417
F5UZ-19D099AB	71R8503
F5UZ-19D990AB	71R8505
F5VH-19E561AA	71R6255
F5VY-19D784-A	75R1222
F5VY-19E561A	71R6255
F5XZ-19D990AB	71R8503
F65Z-19C836AA	74R5075
F6DZ-19703AA	75R8918
F6HS-19D629BA	75R81172
F6HT-19710BA	77R6807
F6HZ-19712A	77R6807
F6HZ-19C836A	74R5095
F6RZ-19E561AA	71R6257
F6TZ-19C836AA	74R5085
F6UZ-19C836AA	74R5067
F75Z-19C836AA	74R5077
F75Z-19C836BA	74R5081
F77Z-19703AB	75R8918
F7UZ-19712AA	77R1405
F7UZ-19C836AB	74R5075
F7UZ-19C836BB	74R5079
F81Z-19C836AA	74R5089
F85Z-19C836AB	74R5091
F85Z-19C836BA	74R5091
F8HH-19805AA	73R2142
F9UZ-19C1836AB	74R5075
FF-E4TH-BA1	75R4732
N83304523	75R81152
VST95BW19E561AA	71R6255
X4CH-19D629AA	75R81172
XC3H-19D629AB	75R84132

FORD / STERLING	
XC4H-19805-AA	73R2142
XC4H-19D629AA	75R81172
XC4H-19D990A	71R8503
XC4H-19D990AA	71R8503
XL3Z-19C836AA	74R5083
XL3Z-19C836BA	74R5087
YC2Z-19C836AA	74R5075
YL3H-19E647BD	74R5089

CROSS REFERENCE

O.E.M. PART NUMBER CROSS REFERENCE

Convert Other Part Numbers to Red Dot Aftermarket Numbers

CROSS
REFERENCE

FREIGHTLINER	
00C18414	75R0612
00C332639	75R0452
02-7010151	71R8050
051 43304AA	71R8477
06-35209-000	71R6155
085108-00	71R6050
1-6664	71R0100
207068/ 085108-00	71R6050
22-0417	71R0100
22-25921-002	75R8512
22-25921-003	75R8512
22-29923-00	73R0662
22-29923-000	73R0662
22-34663-001	75R8522
22-34675	74R2667
22-36474	71R7075
22-37199-000	74R2667
22-41170-000	75R7290
22-41179-000	75R84492
22-41180-000	75R81672
22-43249-000	71R7077
22-43374-000	75R81512
22-44082-000	75R1202
22-44462-000	75R84152
22-44638-000	71R6418
22-44665-000	78R5239
22-45432-001	71R8370
22-46102-000	75R7290
22-46585-000	75R81582
22-46891-000	78R5430
22-47510-000	75R7290
22-47558-000	75R7332
22-47690-000	75R84182
22-47691-000	75R84172
22-47692-000	75R81262
22-47693-000	75R84212
22-47694-000	75R84192
22-48437-000	75R81352
22-51920-000	75R85032
22-52177-331	78R3001
22-52178-000	78R3000
22-57504-002	78R3004
22-59342-000	75R81382
22-59343-000	75R81552
22-59792-004	78R3006
22-60725-000	78R5251
22-62271-000	77R1277
22-65663-000	77R1277
22-65770-000	75R9072
22-65771-000	75R9082
22-65772-000	75R9092

FREIGHTLINER	
22-72460-000	77R1279
274234,A22-11669	75R1802
274264	75R4052
274268	75R2852
2809-820-016	73R5562
31.019.11TC	77R6978
488-21001	75R7290
488-21562	75R7280
488-25073C	75R7312
520556	75R0502
525507BSM	78R5420M
644016.02	71R8425
681-153-12-14	71R7600
681-830-00-084	71R8410
681-833-00-64	71R8410
A01-22964-000	75R1202
A06-11454-001	71R0100
A06-14889-001	71R1150
A06-81830-000	71R8410
A22-011101-022	71R1702
A22-10582	75R1652
A22-10761	75R4652
A22-10795	75R3452
A22-11671	75R3002
A22-11671-000	75R3002
A22-14366-000	73R7101
A22-1442-001	71R8210
A22-14420-1	71R8210
A22-14423-0	71R8050
A22-14425-03	74R2106
A22-14425-1	74R0906
A22-14434-1	77R1100
A22-14434-9	77R1100
A22-15817A-001	71R2250
A22-17483-0	77R1100
A22-18014	73R0602
A22-19726-001	75R0222
A22-21016	73R0662
A22-21403-001	73R0402
A22-21403-4E	73R0232
A22-22498	75R3452
A22-22498-000	75R3452
A22-22499	75R1652
A22-23640-000	71R2200
A22-25255-0	77R1100
A22-28796-000	74R2606
A22-29923-000	73R0662
A22-30930-0	71R6110
A22-30930-000	71R6220
A22-36474	71R7075
A22-37199-000	74R2667

FREIGHTLINER	
A22-37199-001	74R2667
A22-43249-00	71R7077
A22-43249-000	71R7077
A22-43374-00	75R81512
A22-44463-001	72R6515
A22-44463-01	72R6515
A22-44638-000	71R6418
A22-45194-001	71R6210
A22-45432-000	71R8370
A22-45432-001	71R8370
A22-51296-000	71R6267
A22-52177-331	78R3001
A22-52178-300	78R3000
A22-63992-001	74R4210
A22-63993-000	74R4216
A22-63994-001	74R4217
A22-66600-000	74R4218
A22-66700-000	74R4028
A22-66824-000	77R1277
A22-66839-000	77R1277
A22-66840-000	77R1279
A22-67125-000	77R1277
A22-67126-000	77R1279
A22-69799-000	74R4218
A22-69800-000	74R4028
A22-72249-000	77R1277
A22-72250-000	77R1279
A22-72250-001	77R1279
A22-72391-000	74R4216
A22-72392-000	74R4215
A22-72459-000	77R1277
A22-72459-002	77R1277
A22-72460-000	77R1279
A22-7555	75R3452
A23-48218	75R7332
A4965	71R8455
A630-008-00	71R3150
A630-014-00	71R3150
A64403.000	71R8410
ABP N83 301054	73R0572
ABP N83 325906	70R5506
ABP N83 328225	78R5420M
ABP N83 328345	78R5239
A06-11454-001	71R0010
ARSACH34P1	71R1620
BHT E2108	77R8355
BHT P5631001	77R8355
BHT73002	77R6977
BHT79465	77R6978
BHT92710	77R6977
BHT92716	77R6978

FREIGHTLINER	
BOA632-001-00	71R1455
BOA632-003-00	71R1455
BOA70-321-00-409	71R8410
BOA73-000-04-02	76R7515
BOA740002-001	76R2155
BOA74-0002-001	76R2155
BOA-80-319-00-189	78R5435
BOA80-321-00-049	71R8090
BOA80-321-00-063	71R8410
BOA80-321-00-069	71R8410
BOA80-321-00-130	71R8410
BOA80-321-00-149	71R8410
BOA80-321-00-229	71R8350
BOA80-321-00-259	71R8425
BOA803210025900	71R8425
BOA80-321-00-63	71R8410
BOA80-373-00-109	76R2155
BOA80-374-00-439	76R7040
BOA80-375-00-569	76R7515
BOA80-414-00-149	73R5562
BOA80-414-00-179	73R5562
BOA80-415-00-429	73R3002
BOA80-415-00-789	73R3062
BOA80-926-00-059	71R1150
BOA80-926-00-091	71R6110
BOA80-926-00-109	71R1160
BOA80-941-00-063	71R6080
BOA80-946-00-079	71R3150
BOA80-946-00-109	71R3150
BOA80-946-109	71R3150
BOA85-031-50-009	73R3002
BOA85-031-52-009	73R3002
BOA85-430-99-109	72R6515
BOA85-430-99-109.00	72R6515
BOA85-440-50-009	73R3002
BOA85-440-50-509	73R3002
BOA85-440-51-009	73R3002
BOA85-462-50-009	73R3022
BOA85-945-000-579	74R2667
BOA91559	78R5237
BOA93246	76R7745
BOA93674	71R8457
BOAA4965	71R8455
BOAI3674	71R8457
BOAN9383001	76R7750
BSM301017	73R3002
BSM301137	73R3062
BSM303063	75R1302
BSM303123	75R0682
BSM303127	75R0522
BSM307010	76R7515

O.E.M. PART NUMBER CROSS REFERENCE

Convert Other Part Numbers to Red Dot Aftermarket Numbers

FREIGHTLINER	
BSM307020	76R7040
BSM308061	71R8370
BSM315025	76R2155
BSM318179	71R7077
BSM319250	74R2667
BSM319510	74R3327
BSM321070	71R1455
BSM322035	71R1702
BSM322290	71R1160
BSM322510	71R1620
BSM323008	71R1160
BSM323053	71R3150
BSM324280	72R6515
CFC ER210L-251495	75R7280
CFC024-21590	75R1202
CFC688-21946C	75R7312
CFCER210L-21562	75R7280
CFCET210L-251505	75R7290
D2AZ-19834-A	73R7000
D5AZ 19986 A	71R0487
ERDH RD5 9204 1	73R5624
ES210L-25334	75R7300
ES210L-25334C	75R7300
F4HZ 19C836 A	74R5093
F6HZ-19N619BA	78R5385
III8037030	71R6456
III8040135	71R6400
III8040136	71R6405
INM2G754A	71R1210
MOD 1S12193	77R6817
N10G36000006	78R5430
N10G-36000006	78R5430
N31-1355-000	71R3150
OCC511204	75R1222
OCC511946	75R0232
OOC502393	75R3452
PH085167-18	70R3590
PH088154-00	74R2556
PH088281-00	74R3331
PH088282-00	74R3148
PH088292-00	74R3309
PH088293-00	74R3309
PH088335-00	74R3327
PH088336-00	74R3310
PH08844600	74R3126
PH088446-00	74R3126
PH088470-01	74R3313
PH088502-00	74R3126
PH088518-00	74R3126
PH368108	70R5125
PH63856	70R5120

FREIGHTLINER	
POTVF4 15F11	71R1722
POTVF4-15F11	71R1702
R-4122-1P	R-4122-1P
R-9715-10P	R-9715-10P
R-9715-3P	R-9715-3P
RD-2-2922-0P	RD-2-2922-0P
RD-3-10358-0P	RD-3-10358-0P
RD-3-5395-1P	RD-3-5395-1P
RD-3-9664-0P	RD-3-9664-0P
RD-4130-4P	RD-4130-4P
RD-4176-1M	RD-4176-1M
RD-4176-2P	RD-4176-2P
RD-4180-46P	72R8300
RD-5-10016-0P	79R1681
RD-5-10017-0P	79R9681
RD-5-10018-0P	79R1682
RD-5-10019-0P	79R9682
RD-5-10020-0P	79R1686
RD-5-10021-0P	79R9686
RD-5-10022-0P	79R1688
RD-5-10030-0P	72R3151
RD-5-10031-0P	72R3156
RD-5-10085-0M	70R5057
RD-5-10258-0P	72R7100
RD-5-10298-0P	76R7503
RD-5-10377-0P	79R0330
RD-5-10427-0P	75R86194
RD-5-10436-0P	71R8435
RD-5-10489-0P	73R3042
RD-5-11314-0P	79R0112
RD-5-3764-0M	RD-5-3764-0M
RD-5-8583-0P	73R5552
RD5-8835-0	73R5522
RD-9-7286-0P	75R9623
RD-9-7339-0P	75R9960
RDH RD5 10341 0	71R1457
RDH 3106 38	73R6101
RDH R2000 6	R-2000-6P
RDH R2020 0	R-2020-0P
RDH R2020 0 24	R-2020-0-24P
RDH R2100 0	R-2100-0P
RDH R2100 10	R-2100-10P
RDH R2100 2	R-2100-2P
RDH R2300 0	R-2300-0P
RDH R254 0	R-254-0P
RDH R254 0 24	R-254-0-24P
RDH R254 1	R-254-1P
RDH R254 4	R-254-4P
RDH R255 0	R-255-0P
RDH R255 0 24	R-255-0-24P
RDH R255 1	R-255-1P

FREIGHTLINER	
RDH R255 4	R-255-4P
RDH R2550 0	R-2550-0P
RDH R256 0	R-256-0P
RDH R270 0	R-270-0P
RDH R270 0 24	R-270-0-24P
RDH R290 0	R-290-0P
RDH R290 0 24	R-290-0-24P
RDH R290 1	R-290-1P
RDH R290 1 24	R-290-1-24P
RDH R290 4	R-290-4P
RDH R290 4 24	R-290-4-24P
RDH R295 0	R-295-0P
RDH R295 0 24	R-295-0-24P
RDH R295 4	R-295-4P
RDH R3500 1	R-3500-1P
RDH R3540 2	R-3540-2P
RDH R4013H	R-4013HP
RDH R4013H 24	R-4013H-24P
RDH R4122 0	R-4122-1P
RDH R4122 9	R-4122-9P
RDH R4500 8	R-4500-8P
RDH R4500 8 24	R-4500-8-24P
RDH R5040 0	R-5040-0P
RDH R5040 2	R-5040-2P
RDH R5040 4	R-5040-4P
RDH R5040 6	R-5040-6P
RDH R5045 2	R-5045-2P
RDH R5045 2 24	R-5045-2-24P
RDH R5045 3	R-5045-3P
RDH R6100 0	R-6100-0P
RDH R6100 0 24	R-6100-0-24P
RDH R6160 0	R-6160-0P
RDH R6160 0 24	R-6160-0-24P
RDH R6260 1	R-6260-1P
RDH R6260 1 24	R-6260-1-24P
RDH R6830 0	R-6830-0P
RDH R6830 0 24	R-6830-0-24P
RDH R6840 0	R-6840-0P
RDH R7830 0 24	R-7830-0-24P
RDH R8235 0	R-8235-0P
RDH R8545 10 24	R-8545-10-24P
RDH R8545 8	R-8545-8P
RDH R8600 0	R-8600-0P
RDH R8725 0	R-8725-0P
RDH R8730 0	R-8730-0P
RDH R8820 1	R-8820-1P
RDH R8820 2	R-8820-2P
RDH R9520 0	R-9520-0P
RDH R9715	R-9715-5P
RDH R9715 10	R-9715-10P
RDH R9715 11	R-9715-11P

FREIGHTLINER	
RDH R9720 0 24	R-9720-3-24P
RDH R9720 3	R-9720-3P
RDH R9720 3 24	R-9720-3-24P
RDH R9725 1	R-9725-1P
RDH R9750 9	R-9750-9P
RDH R9750 9 24	R-9750-9-24P
RDH R9777 0	R-9777-0P
RDH R9777 0 24	R-9777-0-24P
RDH R9777 1	R-9777-1P
RDH R9777 1 24	R-9777-1-24P
RDH R9976 1	R-9976-1P
RDH RD 1 2380 0	RD-1-2380-0P
RDH RD 4 5135 0	RD-4-5135-0P
RDH RD 4180 64	RD-4180-64P
RDH RD 5 9537 0	RD-5-9537-0M
RDH RD1 0411 0	RD-1-0411-0P
RDH RD1 0419 0	RD-1-0419-0P
RDH RD1 0422 0	72R3601
RDH RD1 0423 0	72R3603
RDH RD1 0496 1	RD-1-0496-1P
RDH RD1 0552 0	RD-1-0552-0P
RDH RD1 0616 0	RD-1-0616-0P
RDH RD1 0642 0	RD-1-0642-0P
RDH RD1 0662 2	70R7175
RDH RD1 0771 1	76R1510
RDH RD1 0822 0	76R2410
RDH RD1 0837 0	RD-1-0837-0P
RDH RD1 0852 0	RD-1-0852-0P
RDH RD1 0861 0	RD-1-0861-0P
RDH RD1 0958 0	76R2010
RDH RD1 0959 0	RD-1-0959-0P
RDH RD1 1141 0	RD-1-1141-0P
RDH RD1 1281 0	76R3920
RDH RD1 1651 0	RD-1-1651-0P
RDH RD1 2255 0	RD-1-2255-0P
RDH RD1 2349 0	RD-1-2349-0P
RDH RD1 2379 0	76R3943
RDH RD11 0054 0	77R9020
RDH RD11 0076 0	RD-11-0076-0P
RDH RD2 0781 6	RD-2-0781-6P
RDH RD2 0781 7	RD-2-0781-7P
RDH RD2 0815 26.50	RD-2-0815-26.50P
RDH RD2 0921 1	RD-2-0921-1P
RDH RD2 1017 0	RD-2-1017-0P
RDH RD2 1184 0	RD-2-1184-0P
RDH RD2 1201 0	RD-2-1201-0P
RDH RD2 1206 0	RD-2-1206-0P
RDH RD2 1206 2	RD-2-1206-2P
RDH RD2 1206 3	RD-2-1206-3P
RDH RD2 1207 0	RD-2-1207-0P
RDH RD2 1207 1	RD-2-1207-1P

CROSS REFERENCE

O.E.M. PART NUMBER CROSS REFERENCE

Convert Other Part Numbers to Red Dot Aftermarket Numbers

CROSS
REFERENCE

FREIGHTLINER	
RDH RD2 1207 2	RD-2-1207-2P
RDH RD2 1245 0	RD-2-1245-0P
RDH RD2 1250 0	RD-2-1250-0P
RDH RD2 1284 0	RD-2-1284-0P
RDH RD2 1296 0	RD-2-1296-0P
RDH RD2 1315 0	RD-2-1315-0P
RDH RD2 1378 0	RD-2-1378-0P
RDH RD2 1469 0	RD-2-1469-0P
RDH RD2 1499 1	RD-2-1499-1P
RDH RD2 1607 0	RD-2-1607-0P
RDH RD2 1647 30	RD-2-1647-30P
RDH RD2 1659 26	RD-2-1659-26P
RDH RD2 1727 26.50	RD-2-1727-26.50P
RDH RD2 1735 0	RD-2-1735-0P
RDH RD2 1758 0	RD-2-1758-0P
RDH RD2 1862 0	76R6160
RDH RD2 2047 0	76R4920
RDH RD2 2163 75	RD-2-2163-75P
RDH RD2 2701 0	RD-2-2701-0P
RDH RD2 2816 63	RD-2-2816-63P
RDH RD2 2817 67	RD-2-2817-67P
RDH RD2 2915 103	RD-2-2922-0P
RDH RD2 3006 0	RD-2-3006-0P
RDH RD2 3008 0	76R7030
RDH RD2 3070 0	76R6650
RDH RD2 3150 0	RD-2-3150-0P
RDH RD2 3279 0	RD-2-3279-0P
RDH RD2 3693 0	RD-2-3693-0P
RDH RD3 10538 0	73R4532
RDH RD3 1359 7	71R5102
RDH RD3 14448 0	RD-3-14448-0P
RDH RD3 1566 2	72R4530
RDH RD3 1978 0	RD-3-1978-0P
RDH RD3 2307 0	RD-3-2307-0P
RDH RD3 2415 2	RD-3-2415-2P
RDH RD3 2547 0	RD-3-2547-0P
RDH RD3 2547 1	RD-3-2547-1P
RDH RD3 2592 0	RD-3-2592-0P
RDH RD3 2788 2	RD-3-2788-2P
RDH RD3 2788 3	RD-3-2788-3P
RDH RD3 2788 4	RD-3-2788-4P
RDH RD3 2788 6	RD-3-2788-6P
RDH RD3 2788 7	RD-3-2788-7P
RDH RD3 3031 0	RD-3-3031-0P
RDH RD3 3121 1	RD-3-3121-1P
RDH RD3 3133 1	RD-3-3133-1P
RDH RD3 3174 0	RD-3-3174-0P
RDH RD3 3311 0	RD-3-3311-0P
RDH RD3 3425 0	RD-3-3425-0P
RDH RD3 3430 0	RD-3-3430-0P
RDH RD3 3590 0	RD-3-3590-0P

FREIGHTLINER	
RDH RD3 3751 2	RD-3-3751-2P
RDH RD3 3805 2	RD-3-3805-2P
RDH RD3 3813 0	RD-3-3813-0P
RDH RD3 3847 0	RD-3-3847-0P
RDH RD3 3901 1	RD-3-3901-1P
RDH RD3 3955 0	RD-3-3955-0P
RDH RD3 3990 0	RD-3-3990-0P
RDH RD3 4274 0	RD-3-4274-0P
RDH RD3 4343 0	RD-3-4343-0P
RDH RD3 4344 0	RD-3-4344-0P
RDH RD3 4417 0	RD-3-4417-0P
RDH RD3 4784 0	RD-3-4784-0P
RDH RD3 4790 2	RD-3-4790-2P
RDH RD3 4812 2	72R4531
RDH RD3 5051 0	RD-3-5051-0P
RDH RD3 5065 0	78R5150
RDH RD3 5072 0	RD-3-5072-0P
RDH RD3 5277 0	RD-3-5277-0P
RDH RD3 5277 1	RD-3-5277-1P
RDH RD3 5367 0	RD-3-5367-0P
RDH RD3 5390 0	RD-3-5390-0P
RDH RD3 5395 0	RD-3-5395-1P
RDH RD3 5448 0	RD-3-5448-0P
RDH RD3 5700 1	RD-3-5700-1P
RDH RD3 5786 1	RD-3-5786-1P
RDH RD3 5892 1	RD-3-5892-1P
RDH RD3 5914 0	RD-3-5914-0P
RDH RD3 5914 1	RD-3-5914-1P
RDH RD3 5964 1	RD-3-5964-1P
RDH RD3 6023 1	RD-3-6023-1P
RDH RD3 6060 0	RD-3-6060-0P
RDH RD3 6062 0	RD-3-6062-0P
RDH RD3 6162 0	78R5330
RDH RD3 6264 0	RD-3-6264-0P
RDH RD3 6401 0	RD-3-6401-0P
RDH RD3 6407 0	78R5251
RDH RD3 6408 0	78R5370
RDH RD3 6767 1	RD-3-6767-1P
RDH RD3 6770 0	73R5502
RDH RD3 6770 24	73R5504
RDH RD3 7382 0	RD-3-7382-0P
RDH RD3 7646 0	RD-3-7646-0P
RDH RD3 7822 0	71R8310
RDH RD3 7838 0	RD-3-7838-0P
RDH RD3 7838 1	RD-3-7838-1P
RDH RD3 8226 0	RD-3-8226-0P
RDH RD3 8635 0	72R7000
RDH RD3 8711 0	RD-3-8711-0P
RDH RD3 8989 0	72R2120
RDH RD3 8999 0	RD-3-8999-0P
RDH RD3 9805 0	78R5243

FREIGHTLINER	
RDH RD3106 13	73R0602
RDH RD3106 13 24	73R0604
RDH RD3106 18 24	73R0204
RDH RD3205 29	RD-3205-29P
RDH RD3312 0	76R6400
RDH RD4 3364 0	70R3406
RDH RD4 3365 0	70R3408
RDH RD4 3595 4	77R8200
RDH RD4 3669 0	RD-4-3669-0P
RDH RD4 3683 3	RD-4-3683-3P
RDH RD4 3804 0	RD-4-3804-0P
RDH RD4 3882 3	RD-4-3882-3P
RDH RD4 3883 0	RD-4-3883-0P
RDH RD4 3883 1	RD-4-3883-1P
RDH RD4 4266 0	RD-4-4266-0P
RDH RD4 4313 1	RD-4-4313-1P
RDH RD4 4529 1	RD-4-4529-1P
RDH RD4 4713 0	77R7000
RDH RD4 4728 0	RD-4-4728-0P
RDH RD4 5041 0	RD-4-5041-0P
RDH RD4 5121 0	RD-4-5121-0P
RDH RD4 5370 0	RD-4-5370-0P
RDH RD4 5370 1	RD-4-5370-1P
RDH RD4 5449 0	RD-4-5449-0P
RDH RD4124 18	72R7280
RDH RD4124 20	72R7290
RDH RD4180 24	72R8190
RDH RD4180 43	72R8300
RDH RD4180 46	72R8300
RDH RD4180 69	RD-4180-69P
RDH RD4184 0	RD-4184-0P
RDH RD4188 24	71R9004
RDH RD4197 0	RD-4197-0P
RDH RD4221 0	RD-4221-0M
RDH RD4222 0	RD-4222-0M
RDH RD4296 0	70R3256
RDH RD4482 0	70R8120
RDH RD5 10077 0	78R5236
RDH RD5 10079 0	78R5254
RDH RD5 10207 0	79R4655
RDH RD5 10333 0	71R8440
RDH RD5 10335 0	71R3220
RDH RD5 10336 0	73R0042
RDH RD5 10344 0	72R6520
RDH RD5 10346 0	73R7130
RDH RD5 10379 0	73R0012
RDH RD5 10380 0	73R2202
RDH RD5 10381 0	73R2222
RDH RD5 10382 0	73R2242
RDH RD5 10383 0	73R2112
RDH RD5 10384 0	73R5592

FREIGHTLINER	
RDH RD5 10385 0	73R2122
RDH RD5 10387 0	73R2142
RDH RD5 10388 0	73R2152
RDH RD5 10389 0	73R0372
RDH RD5 10391 0	73R0092
RDH RD5 10392 0	73R0232
RDH RD5 10393 0	73R3022
RDH RD5 10394 0	73R0002
RDH RD5 10395 0	73R3032
RDH RD5 10397 0	75R1342
RDH RD5 10434 0	74R2002
RDH RD5 10441 0	71R1463
RDH RD5 10447 0	71R8405
RDH RD5 10450 0	74R3140
RDH RD5 10451 0	74R5055
RDH RD5 10452 0	74R5057
RDH RD5 10453 0	74R5063
RDH RD5 10454 0	74R5065
RDH RD5 10455 0	74R5067
RDH RD5 10458 0	74R5073
RDH RD5 10459 0	74R5075
RDH RD5 10460 0	74R5077
RDH RD5 10461 0	74R5079
RDH RD5 10462 0	74R5081
RDH RD5 10463 0	74R5083
RDH RD5 10464 0	74R5085
RDH RD5 10465 0	74R5087
RDH RD5 10466 0	74R5089
RDH RD5 10467 0	74R5091
RDH RD5 10478 0	72R2350
RDH RD5 10490 0	73R9082
RDH RD5 10491 0	73R0032
RDH RD5 10544 0	75R0082
RDH RD5 10545 0	75R0092
RDH RD5 10546 0	71R8385
RDH RD5 10548 0	70R8558
RDH RD5 10554 0	70R8348
RDH RD5 10555 0	70R8346
RDH RD5 10556 0	70R8341
RDH RD5 10558 0	70R8888
RDH RD5 10559 0	70R8881
RDH RD5 10560 0	70R8086
RDH RD5 10563 0	70R8591
RDH RD5 10564 0	70R8201
RDH RD5 10565 0	70R8621
RDH RD5 10566 0	70R8208
RDH RD5 10567 0	70R8996
RDH RD5 10568 0	70R8998
RDH RD5 10569 0	70R8891
RDH RD5 10570 0	70R8066
RDH RD5 10571 0	70R8068

O.E.M. PART NUMBER CROSS REFERENCE

Convert Other Part Numbers to Red Dot Aftermarket Numbers

FREIGHTLINER	
RDH RD5 10572 0	70R8061
RDH RD5 10573 0	70R8062
RDH RD5 10574 0	70R8681
RDH RD5 10575 0	70R8688
RDH RD5 10576 0	70R8398
RDH RD5 10577 0	70R8598
RDH RD5 10578 0	70R8296
RDH RD5 10579 0	70R8298
RDH RD5 10580 0	70R8291
RDH RD5 10587 0	71R1170
RDH RD5 10592 0	71R6480
RDH RD5 10593 0	78R5235
RDH RD5 10723 0	75R0262
RDH RD5 10724 0	75R1212
RDH RD5 10725 0	75R8454
RDH RD5 10727 0	75R0062
RDH RD5 10734 0	71R8090
RDH RD5 10738 0	75R84622
RDH RD5 10741 0	74R3319
RDH RD5 10742 0	74R1406
RDH RD5 10743 0	74R1426
RDH RD5 10744 0	74R1436
RDH RD5 10758 0	75R1872
RDH RD5 10759 0	75R1832
RDH RD5 10760 0	75R1842
RDH RD5 10761 0	75R1852
RDH RD5 10762 0	75R1862
RDH RD5 10774 0	78R5302
RDH RD5 10775 0	78R5308
RDH RD5 10777 0	74R2616
RDH RD5 10795 0	78R5353
RDH RD5 10867 0	73R0332
RDH RD5 10905 0	73R0442
RDH RD5 11000 0	71R6600
RDH RD5 11001 0	71R6463
RDH RD5 11002 0	75R84662
RDH RD5 11190 0	74R3317
RDH RD5 11521 0	75R86202
RDH RD5 11595 0	RD-5-11595-0P
RDH RD5 11864 1	78R1027
RDH RD5 3653 0	72R9040
RDH RD5 3746 1	70R7500
RDH RD5 3781 1	RD-5-3781-1P
RDH RD5 3789 9	78R1805
RDH RD5 3827 8	RD-5-3827-8P
RDH RD5 3849 0	RD-5-3849-0P
RDH RD5 3860 4	RD-5-3860-4P
RDH RD5 3860 5	RD-5-3860-5P
RDH RD5 3883 2	RD-5-3883-2P
RDH RD5 3928 2	RD-5-3928-2P
RDH RD5 4060 0	RD-5-4060-0M

FREIGHTLINER	
RDH RD5 4086 0	72R9045
RDH RD5 4089 0	RD-5-4089-0M
RDH RD5 4097 0	RD-5-4097-0P
RDH RD5 4195 0	RD-5-4195-0P
RDH RD5 4233 24	73R4504
RDH RD5 4253 0	RD-5-4253-0P
RDH RD5 4285 0	RD-5-4285-0P
RDH RD5 4288 0	78R5003
RDH RD5 4296 1	73R9204
RDH RD5 4448 0	RD-5-4448-0P
RDH RD5 4476 12	70R5565
RDH RD5 4611 0	RD-5-4611-0P
RDH RD5 4626 1	RD-5-4626-1P
RDH RD5 4680 0 BLU	RD-5-4680-0-BLUP
RDH RD5 4680 0 GRN	RD-5-4680-0-GRNP
RDH RD5 4680 0 RED	RD-5-4680-0-REDP
RDH RD5 4693 0	RD-5-4693-0P
RDH RD5 4756 0	72R9030
RDH RD5 4776 1	RD-5-4776-1P
RDH RD5 4825 16	RD-5-4825-16P
RDH RD5 4825 19	RD-5-4825-19P
RDH RD5 4825 23	RD-5-4825-23P
RDH RD5 5072 2	RD-5-5072-2P
RDH RD5 5218 0	RD-5-5218-0M
RDH RD5 5222 0	72R3111
RDH RD5 5223 2	RD-5-5223-2P
RDH RD5 5234 0	RD-5-5234-0M
RDH RD5 5349 0	RD-5-5349-0P
RDH RD5 5352 0	RD-5-5352-0P
RDH RD5 5374 0	RD-5-5374-0P
RDH RD5 5381 0	RD-5-5383-0P
RDH RD5 5403 2	77R9005
RDH RD5 5403 3	77R9015
RDH RD5 5423 0	RD-5-5423-0P
RDH RD5 5424 0	RD-5-5424-0P
RDH RD5 5431 0	78R5200
RDH RD5 5432 0	78R5210
RDH RD5 5434 0	RD-5-5434-0P
RDH RD5 5452 0	RD-5-5452-0P
RDH RD5 5502 0	RD-5-5502-0M
RDH RD5 5505 33	RD-5-5505-33P
RDH RD5 5505 66	RD-5-5505-66P
RDH RD5 5510 0	RD-5-5510-0P
RDH RD5 5534 0	RD-5-5534-0P
RDH RD5 5657 4	RD-5-5657-4P
RDH RD5 5676 0	RD-5-5676-0P
RDH RD5 5753 52.50	RD-5-5753-52.50P
RDH RD5 5753 65	RD-5-5753-65P
RDH RD5 5796 24	73R9064
RDH RD5 5938 0	78R0090
RDH RD5 5965 0	RD-5-5965-0P

FREIGHTLINER	
RDH RD5 5973 0	RD-5-5973-0P
RDH RD5 6028 4	RD-5-6028-4P
RDH RD5 6051 3	RD-5-6051-3P
RDH RD5 6052 1	RD-5-6052-1P
RDH RD5 6064 0	70R1501
RDH RD5 6065 0	70R1502
RDH RD5 6118 0	RD-5-6118-0P
RDH RD5 6124 0	78R5320
RDH RD5 6130 0	RD-5-6130-0P
RDH RD5 6131 0	RD-5-6131-0P
RDH RD5 6220 0	72R2105
RDH RD5 6239 0	RD-5-6239-0P
RDH RD5 6395 1	71R6045
RDH RD5 6415 0	75R6041
RDH RD5 6423 0	RD-5-6423-0P
RDH RD5 6425 0	RD-5-6425-0P
RDH RD5 6493 0	70R4641
RDH RD5 6513 0	79R5020
RDH RD5 6532 120	78R0075
RDH RD5 6532 360	RD-5-6532-360P
RDH RD5 6537 0	RD-5-6537-0P
RDH RD5 6694 0	RD-5-6694-0P
RDH RD5 6715 0	RD-5-6715-0P
RDH RD5 6767 0	RD-5-6767-0P
RDH RD5 6798 0	RD-5-6798-0P
RDH RD5 6799 0	RD-5-6799-0P
RDH RD5 6867 0	78R5350
RDH RD5 6874 0	RD-5-6874-0P
RDH RD5 6917 2	72R9005
RDH RD5 6946 0	70R4308S
RDH RD5 6949 0	70R4398S
RDH RD5 6969 0	73R4064
RDH RD5 7015 0	71R8321
RDH RD5 7024 0	RD-5-7024-0P
RDH RD5 7058 0	70R2071S
RDH RD5 7074 0	70R2076S
RDH RD5 7075 0	70R2072S
RDH RD5 7178 0	RD-5-7178-0P
RDH RD5 7183 0	71R0854
RDH RD5 7233 0	71R1914
RDH RD5 7255 0	RD-5-7255-0P
RDH RD5 7262 0	78R5290
RDH RD5 7277 0	75R5813
RDH RD5 7278 0	75R5814
RDH RD5 7364 0	71R3250
RDH RD5 7472 0	70R4602
RDH RD5 7495 0	70R4601S
RDH RD5 7543 0	70R4641S
RDH RD5 7568 1	74R2687
RDH RD5 7575 3	RD-5-7575-3P
RDH RD5 7576 0	RD-5-7576-0P

FREIGHTLINER	
RDH RD5 7579 0	RD-5-7579-0P
RDH RD5 7581 1	RD-5-7581-1P
RDH RD5 7629 0	70R4506S
RDH RD5 7641 0	70R5091S
RDH RD5 7731 0	79R1520
RDH RD5 7732 0	79R1525
RDH RD5 7733 0	70R4492S
RDH RD5 7740 0	70R4402S
RDH RD5 7786 0	79R1504
RDH RD5 7787 0	79R1503
RDH RD5 7788 0	79R1502
RDH RD5 7792 0	79R1522
RDH RD5 7805 0	70R4306S
RDH RD5 7834 0	75R5114
RDH RD5 7836 0	70R6406
RDH RD5 7987 0	75R6019
RDH RD5 8002 0	RD-5-8002-0M
RDH RD5 8043 11 25	RD-5-8043-11.25P
RDH RD5 8076 0	78R5360
RDH RD5 8079 0	78R5380
RDH RD5 8099 0	79R5050
RDH RD5 8184 0	75R5871S
RDH RD5 8188 1	RD-5-8188-1P
RDH RD5 8193 1	72R5357
RDH RD5 8193 2	72R5350
RDH RD5 8195 0	70R4791S
RDH RD5 8255 0	73R0982
RDH RD5 8261 0	70R4302S
RDH RD5 8262 0	70R4348S
RDH RD5 8264 0	70R4342S
RDH RD5 8266 0	70R2012S
RDH RD5 8269 0	70R2061S
RDH RD5 8270 0	70R2062S
RDH RD5 8271 0	70R2066S
RDH RD5 8272 0	70R2068S
RDH RD5 8274 0	70R2036S
RDH RD5 8276 0	70R4796S
RDH RD5 8278 0	70R4591S
RDH RD5 8279 0	70R4596S
RDH RD5 8281 0	70R7002S
RDH RD5 8282 0	70R6492S
RDH RD5 8283 0	70R4606S
RDH RD5 8285 0	70R4646S
RDH RD5 8286 0	70R4696S
RDH RD5 8287 0	71R6210
RDH RD5 8289 0	71R6230
RDH RD5 8308 0	73R0072
RDH RD5 8393 0	70R3510S
RDH RD5 8405 0	70R4006
RDH RD5 8412 0	RD-5-8412-0P
RDH RD5 8424 0	RD-5-8424-0P

CROSS
REFERENCE

O.E.M. PART NUMBER CROSS REFERENCE

Convert Other Part Numbers to Red Dot Aftermarket Numbers

CROSS
REFERENCE

FREIGHTLINER	
RDH RD5 8436 0	72R3120
RDH RD5 8463 0	70R4698S
RDH RD5 8481 0	79R1505
RDH RD5 8490 0	71R1610
RDH RD5 8526 0	73R5512
RDH RD5 8526 1	73R5514
RDH RD5 8535 0	71R1262
RDH RD5 8535 24	71R1264
RDH RD5 8537 0	70R6006S
RDH RD5 8538 0	70R6008S
RDH RD5 8539 0	70R4416S
RDH RD5 8572 0	RD-5-8572-0P
RDH RD5 8582 0	78R5240
RDH RD5 8605 0	74R0470
RDH RD5 8627 6	73R8614
RDH RD5 8631 2	73R8582
RDH RD5 8680 0	75R8354
RDH RD5 8680 2	RD-5-8680-2P
RDH RD5 8703 2	73R8562
RDH RD5 8705 1	RD-5-8705-1P
RDH RD5 8709 0	73R0562
RDH RD5 8747 1	RD-5-8747-1P
RDH RD5 8747 4	73R8652
RDH RD5 8762 0	RD-5-8762-0P
RDH RD5 8772 0	70R6506
RDH RD5 8773 0	70R6508
RDH RD5 8774 0	70R6501
RDH RD5 8785 3	73R8594
RDH RD5 8785 4	RD-5-8785-4P
RDH RD5 8830 0	71R0522
RDH RD5 8831 0	71R0532
RDH RD5 8835 0	73R5522
RDH RD5 8836 0	73R5524
RDH RD5 8837 0	73R5532
RDH RD5 8838 0	73R5534
RDH RD5 8862 0	74R0400
RDH RD5 8898 0	70R9406S
RDH RD5 8899 0	70R9408S
RDH RD5 8900 0	70R9401S
RDH RD5 8901 0	70R9906S
RDH RD5 8902 0	70R9908S
RDH RD5 8903 0	70R9901S
RDH RD5 8905 0	70R9498S
RDH RD5 8906 0	70R9491S
RDH RD5 8907 0	70R9996S
RDH RD5 8910 0	70R9306S
RDH RD5 8911 0	70R9308S
RDH RD5 8913 0	70R9396S
RDH RD5 8914 0	70R9398S
RDH RD5 8915 0	70R9391S
RDH RD5 8916 0	70R9016S

FREIGHTLINER	
RDH RD5 8917 0	70R9018S
RDH RD5 8918 0	70R9011S
RDH RD5 8936 0	71R8430
RDH RD5 8939 0	70R9402S
RDH RD5 8940 0	70R9492S
RDH RD5 8943 0	72R6515
RDH RD5 8945 0	75R8252
RDH RD5 8947 0	73R6270
RDH RD5 8950 0	79R9522
RDH RD5 8951 0	70R9791S
RDH RD5 8952 0	70R9072S
RDH RD5 8955 0	70R9001S
RDH RD5 8956 0	70R9091S
RDH RD5 8957 0	70R9701S
RDH RD5 8963 0	78R9458
RDH RD5 8995 0	71R0884
RDH RD5 9000 0	RD-5-9000-0P
RDH RD5 9001 2	RD-5-9001-2P
RDH RD5 9003 1	RD-5-9003-1P
RDH RD5 9003 2	RD-5-9003-2P
RDH RD5 9003 3	RD-5-9003-3P
RDH RD5 9010 0	RD-5-9010-0P
RDH RD5 9013 0	RD-5-9013-0P
RDH RD5 9037 0	71R0512
RDH RD5 9051 0	73R5542
RDH RD5 9053 0	72R3140
RDH RD5 9088 0	75R8332
RDH RD5 9130 0	78R5245
RDH RD5 9133 0	71R4065
RDH RD5 9152 0	72R4010
RDH RD5 9153 0	72R4000
RDH RD5 9157 0	72R4400
RDH RD5 9158 0	72R4500
RDH RD5 9159 0	72R4510
RDH RD5 9204 0	73R5622
RDH RD5 9249 0	75R1412
RDH RD5 9267 0	RD-5-9267-0P
RDH RD5 9415 0	72R6540
RDH RD5 9437 0	71R1402
RDH RD5 9448 0	71R1404
RDH RD5 9449 0	71R1405
RDH RD5 9513 0	71R8380
RDH RD5 9515 0	74R2676
RDH RD5 9556 0	74R5060
RDH RD5 9577 0	71R6150
RDH RD5 9633 0	79R4561
RDH RD5 9812 0	75R5705
RDH RD5 9813 0	75R5698
RDH RD5 9814 0	75R5691
RDH RD5 9907 0	RD-5-9907-0M
RDH RD5 9935 0	71R8450

FREIGHTLINER	
RDH RD5 9952 0	75R5728
RDH RD5 9987 0	70R5020
RDH RD5 9988 0	70R5010
RDH RD5 9989 0	70R5005
RDH RD6 4698 0	RD-6-4698-0P
RDH RD6 4726 0	RD-6-4726-0P
RDH RD6 4940 0	71R5802
RDH RD9 7008 0	RD-9-7008-0P
RDH RD9 7170 0	RD-9-7170-0P
RDH RD9 7241 0	RD-9-7241-0P
RDH RD9 9457 0	75R6016
RDH RDG 7035 0	77R5550
RDHRD4181	71R4050
RDHRD4188 0	71R9002
RHD RD3 7376 0	RD-3-7376-0P
RHD RD5 6868 0	71R8301
RNCA10-6581-00	71R2250
RTC02683	72R5070
S8545-6310	75R1872
S9313-6010	75R1402
SKI4431	75R81262
SKI4626	75R81582
SKI4776	75R81282
SKI4818	75R81302
SKI4819	75R81232
SKI4820	75R81612
SKI4821	75R81212
TBB 85660487	RD-3-7383-0P
TBB 85660680	76R1550
TII8040151	71R6418
TII8040152	71R6418
TII8040152P	71R6418
VCC32000022	71R3589
VCC35000003	73R3152
VCC36000006	78R5430
VCC50000031	76R7735
VCCT1001428N	71R8475
VCCT1001838L	71R8475
WAL11411-70	75R3002
WWS RD-1-0822-1	RD-1-0822-1P
WWS RD-1-1965-0	RD-1-1965-0P
WWS RD-2-1898-1	RD-2-1898-1P
WWS RD-3-10298-0	RD-3-10358-0P
WWS RD-3-7385-0	RD-3-7385-0P
WWS RD-3-8417-0	RD-3-8417-0P
WWS RD-3-8777-0	78R5241
WWS RD-3-9157-0	RD-3-9157-0P
WWS RD-3-9488-1	RD-3-9488-1P
WWS RD-4130-3	RD-4130-4P
WWS RD-5-9011-0	RD-5-9011-0P
WWS RD-5-9216-1	RD-5-9216-1P

FREIGHTLINER	
WWS RD-5-9219-0	75R5834
WWS RD-5-9253-0	RD-5-9253-0P
WWS RD-5-9535-0	RD-5-9535-0P
WWS RD-6-4797-2	71R3504

O.E.M. PART NUMBER CROSS REFERENCE

Convert Other Part Numbers to Red Dot Aftermarket Numbers

ICE	
2521121	75R8512
2521129	75R8502
2521132	75R8522
2521152	75R8612
2521153	75R8614
2521161	75R8354
2521164	75R85734
2521166	75R8532
2521167	75R8632Q
2521168	75R85032
2521171	75R8702Q
2521172	75R85932
2521175	75R8544
2521180	75R8712
2521186	75R86202
2521192	75R8634Q
2521194	75R8664Q
2521195	75R8702
2521198	75R85632
2521199	75R8544
2521206	75R8562Q
2521209	75R8672Q
2521213	75R8662
2521266	75R85832
2521280	75R86152
2521301	75R8552
2521317	75R86092
2521320	75R8532
2521323	75R85832
2521324	75R8552
2521325	75R85732
2521326	75R85732
2521329	75R85332
2521332	75R86092
2521339	75R8612
2521340	75R85832
2521344	75R85632
2521346	75R85632
2521350	75R86212Q
2521387	75R85632
2521453	75R8542
2521455	75R8612
2521456	75R8544
2521458	75R8544
2521467	75R8712
2521475	75R8722
2521477	75R8644
2521479	75R8542
2521493	75R8732
2521495	75R8742
2521510	75R8614

ICE	
2521515	75R8712
2521523	75R86202
2521544	75R8542
2521548	75R85832
2521596	75R86202
2521641	75R85102Q
2521653	75R86144
2521687	75R8572Q
2560108	75R8515
2570132	75R4782
2570136	75R4792
2570148	75R1412
2570150	75R0274
2570152	75R0252
2570155	75R0082
2570158	75R1212
2570159	75R0262
2570161	75R0092
2570165	75R4782
2570168	75R4792

IHC - NAVISTAR	
0680952R93	73R0602
1076362R91	73R0552
1140568C91	75R3454
117283C91	73R0422
117841C91	75R7280
124552C1	74R2106
1280331C1	71R8301
1280333-C1	71R8100
143469C-2	74R4027
1514307C1	71R6110
1514330C2	71R7075
1616787C1	71R6183
1622648C91	71R6470
1647566C91	75R1202
165129C91	75R1202
1651984C1	71R6120
1651985C1	71R6090
165338C91	75R0452
1653480C91	75R0402
1653480C92	75R0402
1655566C1	73R4162
1661270C92	71R1702
1661420C1	71R1160
1661420C91	71R1150
1661427C92	71R0030
1664248C1	71R3300
1669329C1	71R9002
1669332C1	71R1450
1669333C92	72R6510
1669342C1	RD-5-4387-0P
1669348C1	71R0400
1669746C91	75R3452
1669786C1	73R2102
1669955C1	71R8415
1674253C2	77R0570
1676647C1	75R0452
1676647C91	75R0422
1676648C1	RD-5-4387-0P
1676651C1	74R1706
1676652C1	74R1906
1676653C1	74R1756
1676657C1	73R2152
1676658C1	71R7550
1676659C91	75R4652
1676660C1	75R3002
1676660C91	75R3002
1676663C1	74R2706
1676664C1	74R1956
1676665C1	71R8321
1676665C91	71R8400
1676786C1	71R6181

IHC - NAVISTAR	
1676786C2	71R6170
1676787C1	71R6180
1676793C91	70R5550
1676794C1	70R2076S
1676795C1	70R4396S
1676796C1	70R4306S
1676797C1	70R4406S
1676799C1	70R4496S
1676804C1	70R4408S
1676806C1	75R8262
1676807C1	70R4448S
1676808C1	70R4301S
1676809C1	70R4491S
1676810C1	70R2072
1676822C91	71R8500
1676831C91	75R7280
1676832C91	75R7295
167813C1	75R0612
1681116C92	77R9010
1682425C92	75R8272
1687780C91	75R0612
1687780C92	75R0612
1687801C91	75R4502
1687819C1	75R0612
168903C1	71R8210
1691469C1	71R8080
1691469C2	71R8080
1691601C91	74R1856
1691604C1	74R2536
1691699C91	71R7500
1691700C1	73R6051
1691701C1	73R6230
1691702C91	73R0152
1691704C91	73R4182
1691705C91	73R4322
1691706C1	71R8220
1691708C91	73R0322
1691709C91	74R0906
1691710C91	74R2556
1691711C1	71R8050
1691714C91	77R1100
1691715C1	71R1210
1691716C91	73R0662
1691717C91	73R0602
1691719C91	73R0552
1691720C1	73R2262
1691721C91	RD-5-4387-0P
1691722C91	71R3200
1691724C92	75R8502
1691725C92	75R8512
1691726C91	71R3100

CROSS REFERENCE

O.E.M. PART NUMBER CROSS REFERENCE

Convert Other Part Numbers to Red Dot Aftermarket Numbers

CROSS REFERENCE

IHC - NAVISTAR		IHC - NAVISTAR		IHC - NAVISTAR		IHC - NAVISTAR	
1691727C1	73R7130	2004801C3	77R7000	2509453C91	75R7290	2610417C1	70R5501
1691728C1	73R7130	2004801C4	77R7000	2509454C91	75R7312	2611208C91	71R6181
1691729C91	71R3150	2006413C91	75R81452	2509456C91	75R7290	2611234C1	71R3580
1691730C91	71R1702	2009378C1	77R0720	2509458C91	75R7332	2613243C91	71R8465
1691732C1	71R1455	2009378C2	77R0720	2510671C1	71R1477	2614861C91	70R5506
1691733C91	73R4182	2012557C1	71R1722	2512331C1	71R8467	2684680C91	71R8370
1691734C91	73R4602	2016366C93	75R1302	2570144	75R0062	2684701C1	71R8050
1691736C1	75R0182	2016403C1	75R1342	2570149	75R1414	2684711C91	71R8505
1691737C1	75R0222	2016403C2	75R1342	2570151	75R0172	301305C91	71R2250
1691738C91	74R2306	2016410C93	75R0502	2585373C2	77R0115	301395C91	71R2300
1691739C91	71R3100	2032287C91	75R81472Q	2586812C91	77R0355	302811C91	75R5628
1691745C91	75R8422	2035274C1	71R6210	2586812C93	77R0355	302812C91	75R5651
1691746C91	75R81582	2040708C91	75R81472	2589204C91	77R8350	346931C91	73R0152
1693117C1	74R3456	2062736C91	75R81622Q	2589563C1	73R0142	3504377C1	77R8309
1693199C1	73R7215	2153533C1	71R8507	2591621C91	77R8350	3516273C91	71R6565
16938361C1	71R1457	2167510C91	75R0422	2591836C91	77R8350	3521729C1	71R6235
1693942C1	70R5058	2210999C1	73R9062	2592000C91	75R1302	3524465C1	71R8489
1693968C1	70R5056	2217916C1	72R2140	2592001C91	75R1302	3535042C1	75R0032
1693970C1	70R5051	238748R91	73R0152	2592004C91	75R0612	3541235C91	75R84302Q
1696663C1	74R2706	2500485C1	73R2102	2592004C92	75R0612	3542575C1	71R3585
1696831C1	71R3573	2500918C1	71R1457	2592005C1	75R0662	3542575C2	71R3585
1696834C1	78R5305M	2501256C1	71R6582	2592005C91	75R0662	3542577C2	74R5097
1696836C1	71R1457	2501257C1	71R6426	2592006C1	75R1342	3542604C2	76R6020
1696846C3	71R8404	2501794C91	71R8415	2592667C1	75R4802	3542604C3	76R6020
1696859C1	71R8991	2501794C92	71R8415	2593329C91	77R0675	3542606C1	71R3580
1697119C1	71R1620	2501794C93	71R8415	2595006-C1	75R1342	3542611C2	73R3132
1699291C1	73R3082	2502459C91	75R7290	2597637C91	75R0612	3543727C1	75R5530
1699309C1	71R6400	2502460C91	75R7280	2597639C91	75R0402	3543728C1	75R5535
1699310C1	71R6405	2503207C1	71R3582	2597641C91	75R1342	3543881C1	75R5580
1699947C1	73R6253	2503271C1	73R7130	2597643C91	75R0662	3543882C1	75R5585
1699949C1	73R0572	2503277C1	73R0012	2598648C1	73R0142	3546241C1	71R6260
1699950C1	76R7712	2503278C1	73R0642	2601444C91	77R7705	3547916C1	75R81352
1699953C1	71R3300	2503279C1	73R0142	2601445C91	77R7705	3547917C1	75R81292
1699955C1	71R8415	2503727C1	71R1467	2602121C91	75R84302Q	3547917C91	75R81292
1699955C2	71R8415	2503783C91	71R8405	2602122C91	RD-5-12568-0P	3548044C1	71R8507
1699956C1	78R5308	2505650C92	77R0355	2602123C91	75R81372	3548907F93	77R0355
175575C1	71R2250	2505912C91	75R1862	2602732C91	75R81282	3551405C1	75R84622
1818128C1	75R0662	2506656C1	78R5435	2602733C91	75R81232	3562102C1	71R1470
1818128C2	75R0662	2506656C2	78R5435	2602736C91	75R81622	3565464C91	78R3007
1-9056	74R3455	2507219C1	71R4065	2602740C91	75R84382	3565481C91	78R3003
1-9254	75R7290	2507482C91	77R0095	2602742C91	75R81692	3579878C1	75R81502
1990756-C1	71R8321	2507482C92	77R0095	2602743C91	75R81362	3582435C1	75R89752
1990756-C2	71R8321	2507482C94	77R0095	2602744C91	75R81302	3582987C92	78R3008
1E0064050000	77R7705	2507540C1	75R5565	2602745C91	75R8382	3582989C91	78R3005
2000655C2	77R0715	2508698C91	77R0635	2602815C91	75R82312Q	3592145C92	78R3002
2000820C91	75R7290	2508698C92	77R0635	2606192C91	75R81652	3599581C2	73R3162
2000821C1	74R3455	2508698C94	77R0635	2606229C92	71R6266	3599589C1	71R8465
2000821C2	74R3455	2509051C1	71R1702	2610412C1	70R5504	3599598C1	76R3495
2003413C91	75R81452	2509449C91	75R7312	2610413C1	70R5503	3599602C1	71R3581
2004050C1	74R3319	2509450C91	75R7322	2610414C1	70R5500	3600338C1	71R6259
2004801C1	77R7000	2509452C91	RD-5-14641-0P	2610415C1	70R5502	3600339C1	71R6261

O.E.M. PART NUMBER CROSS REFERENCE

Convert Other Part Numbers to Red Dot Aftermarket Numbers

IHC - NAVISTAR	
3607384C1	71R1722
3611894C91	75R9622
3611894C92	75R9622
3622764C1	71R6265
3622764C3	71R6265
3626414C1	71R1475
3628699C1	75R84302Q
3628699C2	75R84302Q
3628700C1	75R81292Q
3628700C2	75R81292
3660853C2	71R8467
3660862C1	70R5504
3660864C1	70R5503
3660865C1	70R5500
3661318C1	70R5502
3666273C1	74R5401
3670134C1	74R5405
3674285C1	73R3112
3685800C1	71R3591
3808548C1	75R89762
3824716C1	70R5501
3839141C1	78R5440
3839315C1	71R6270
3839360C92	74R5088
3843558C92	74R5090
3857948C3	71R8481
393349C1	73R0092
393350C1	71R2700
393352C1	71R8210
393577C91	75R3602
393580C91	75R3002
393582C91	75R3602
393681C91	75R4732
395083C91	75R3002
395087C91	75R4352
399425C91	74R2526
411876C1	73R0022
417888C91	75R7280
417888C92	75R7280
418677C1	71R2700
419992C91	73R0552
419993C91	73R0602
4205450C92	75R0302
422984C1	73R0552
425450C92	75R3502
426124C1	71R2700
426147C1	71R8050
426164C1	71R2700
426169C1	74R3156
426826001	72R3050
433093001	73R9062

IHC - NAVISTAR	
436998C91	71R2700
442129012	73R0232
442182C1	71R6230
442183C1	71R6020
442183C2	71R6020
442987C1	73R0092
445444C1	71R2700
446987C1	72R2140
447186C1	71R1922
450139001	73R0022
4507329R1	73R9064
454347C1	71R2800
454613C1	74R3450
454614C1	74R3450
465502C1	73R7215
467007C1	71R2700
468323C91	75R7290
468323C92	75R7290
469458C1	71R1460
469475C1	71R8080
474086C1	73R2102
480836C1	78R5304
480869C1	71R6070
4816-6000	75R81292
481800C91	75R0302
481802C91	75R3002
481803C91	75R1802
481804C91	75R3602
481805C91	75R1222
481806C91	75R3452
4818100C91	75R0402
481813C1	78R5302
488831C1	73R0702
488832C1	73R0232
488842C91	73R0232
488843C91	73R0702
492413C91	75R7280
498144C1	78R5306M
498554C92	73R0702
501087C1	71R0480
501087C3	71R0480
501099C91	76R3475
506552C1	71R1460
509170C91	75R8102
539047-R2	73R0532
539049C-1	74R4017
539049R-1	74R4017
539049R91	74R4016
540127C1	74R3455
544929C1	75R81702
544975C1	71R6070

IHC - NAVISTAR	
544983C1	74R2706
544983R91	74R2706
554712C91	75R7290
576622C1	75R5525
576625C91	75R0202
581686C1	71R6090
581687C1	71R2800
581691C1	71R2800
587977C1	71R6020
587977C1	71R6060
592231C1	71R2800
597639C91	75R0402
6102498C92	74R5088
6102500C92	74R5090
6102500C93	74R5090
653480C91	75R1402
683596C91	75R7280
71504287-5	71R8100
783966C93	73R9082
8040117P	71R6582
8040178P	71R6584
873878	78R5315
899996R91	72R5050
926384C1	74R2406
938513C1	72R7600
967109R91	73R0552
A42623	71R2100
R0337001	77R8310
RD-5-11029-0	71R2305
RDT71R8506	71R8506
ZGG11135	71R8410
ZGG11370	70R7110
ZGG11550	75R4352
ZGG11562	75R2552
ZGG11845	71R8100
ZGG12034	70R5020
ZGG12237	70R3006
ZGG14263	78R5306M
ZGG14513	75R84192
ZGG14606	73R7215
ZGG15704	79R4650
ZGG16061	79R4655
ZGG16217	71R6120
ZGG16218	71R6090
ZGG18422	75R5648
ZGG18423	75R5641
ZGG18424	75R5698
ZGG18425	75R5691
ZGG19039	70R5052
ZGG19045	70R5005
ZGG19075	79R1560

IHC - NAVISTAR	
ZGG190855	70R43965
ZGG190865	70R43985
ZGG190885	70R43925
ZGG190895	70R44065
ZGG190915	70R4498
ZGG190925	70R44025
ZGG190975	70R44965
ZGG19098	70R4498
ZGG190985	70R44985
ZGG190995	70R44915
ZGG191005	70R44925
ZGG191255	70R65985
ZGG19140	74R3336
ZGG19253	71R1610
ZGG19272	71R8060
ZGG19347	73R4422
ZGG19355	75R5556
ZGG19465	75R5834
ZGG19471	75R5512
ZGG19524	70R5046
ZGG19734	75R8384
ZGG701087	73R0022
ZGG702010	73R7215
ZGG703003	73R8320
ZGG704006	75R0042
ZGG704029	75R4752
ZGG704033	75R4702
ZGG705031	75R8614
ZGG705032	75R8544
ZGG705063	75R84552
ZGG705130	75R81452
ZGG705135	75R81312
ZGG705165	75R8354
ZGG705257	75R81372
ZGG709001	71R8090
ZGG709010	71R8350
ZGG709037	71R8080
ZGG716001	71R3220
ZGG718001	75R5565
ZGG718002	75R5575
ZGG718011	75R5829
ZGG718012	75R5819
ZGG718014	75R5827
ZGG718015	75R5825
ZGG718016	75R5820
ZGG719000	71R8510
ZGG720002	78R5236M
ZGG720005	78R5257
ZGG720006	78R5256M
ZGG720008	78R5255
ZGG725011	79R4650

CROSS
REFERENCE

O.E.M. PART NUMBER CROSS REFERENCE

Convert Other Part Numbers to Red Dot Aftermarket Numbers

IHC - NAVISTAR	
ZGGH550432	79R4600
ZGGH550433	79R4605
ZGGH725016	79R4615
ZGGR6812	79R4587
ZGGR6822	79R4585
ZGGR725028	79R4580

JBAR	
090016	78R0100
090077	78R0250
090124	78R0400
090227	78R0200
090232	78R0300
1784	77R9030
1812	RD-5-14175-0P
301337	301337
400535	71R2300
401894	71R8100
402284	402284
402806	75R5718
402807	75R5711
403061	73R4104
403350	71R8210
403430	72R9020
403930	70R5115
403953	73R4102
404130	70R3008
404379	404379
404593	75R5668
404594	75R5661
404819	70R3006
404893	71R8080
404986	74R1806
404987	70R4406
404988	70R4408
404989	70R4401
404990	70R4446
404991	70R4448
404992	70R4441
404993	70R4496
404994	70R4498
404995	70R4491
404997	70R7006
405000	70R6496
405035	70R6006
405036	70R6008
405037	70R6001
405038	70R6096
405039	70R6098
405040	70R6091
405044	70R4306
405045	70R4308
405046	70R4301
405047	70R4346
405048	70R4348
405049	70R4341
405050	70R4396
405051	70R4398
405052	70R4391

JBAR	
405053	70R4601
405080	75R8614
405098	71R2250
405100	75R5648
405101	75R5641
405104	75R8412
405110	71R6070
405111	71R7075
405130	70R4508
405131	70R4501
405143	70R4996
405144	70R4998
405145	70R4991
405146	70R2078
405151	70R2098
405152	70R2091
405157	70R4442
405228	75R8382
405229	75R8384
405251	75R5688
405252	75R5681
405379	70R4496S
405380	70R4402S
405381	70R4498S
405382	70R4408S
405383	70R6498S
405384	70R7008S
405385	70R4492S
405386	70R4402
405387	70R6491S
405390	75R5570
405435	70R7001S
405456	70R4391S
405488	71R1702
405489	71R1704
405493	70R4446S
405494	70R4346S
405495	70R4341S
405496	70R2076S
405504	70R7002S
405505	70R4448S
405506	70R4441S
405516	70R5091S
405517	70R4306S
405518	70R4308S
405519	70R4301S
405521	70R4396S
405528	70R4508S
405529	70R4501S
405533	75R5848
405535	75R5842

JBAR	
405551	70R2078S
405552	70R2071S
405553	70R2072S
405557	70R2096
405560	70R2092
405708	73R0502
405831	73R8564
405844	73R5552
405862	70R5056
405864	70R5051
405865	70R5052
405875	71R1150
405881	75R7290
405882	75R7280
405897	75R8512
405899	75R8612
405901	75R8502
405902	75R8372
405903	75R8272
405904	75R8292
405905	75R8432
405908	75R8374
405909	75R8252
405912	75R5808
405913	75R5801
405937	70R4348S
405940	70R4398S
405941	70R4392S
405957	75R5678
405958	75R5671
405959	75R5672
405962	70R4001S
405963	70R4002S
405964	70R4096S
405966	70R4091S
406042	75R8424
406050	75R8442
406052	75R8262
406053	75R8222
406054	75R8212
406057	75R8394
406068	70R4342S
406069	70R4302S
406081	75R5700
406082	75R5802
406084	75R8214
406085	75R8232
406086	75R8234
406093	74R5050
406134	75R0402
406135	75R0302

CROSS
REFERENCE

O.E.M. PART NUMBER CROSS REFERENCE

Convert Other Part Numbers to Red Dot Aftermarket Numbers

JBAR	
406136	75R0202
406138	73R0152
406139	73R0222
406140	73R0552
406142	73R0702
406143	73R0602
406144	73R4162
406145	73R4182
406152	74R1706
406153	74R1856
406154	74R1906
406157	74R1956
406159	74R2606
406160	74R2706
406161	74R1756
406163	74R3106
406164	74R3306
406165	74R2306
406167	74R3466
406171	74R3450
406172	74R3476
406173	73R4322
406433	406433
406434	406434
407800	407800
407801	407801
407813	407813
407995	407995
408273	408273
408304	RD-5-15722-0P
408357	75R89744
450598	75R8332
450599	75R8312
450675	71R6120
450761	450761
450762	450762
450813	450813
450828	450828
450829	450829
504019	504019
63087	75R9535
63089	63089
63259	63259
63294	63294
63337	63337
63366	RD-9-7112-0P
63385	63385
63405	63405
63415	63415
63420	63420
63431	63431

JBAR	
63458	63458
63487	75R9970
63524	63524
63529	63529
63542	63542
63549	63549
63552	63552
63576	63576
63578	63578
63607	63607
63623	63623
63624	63624
63639	63639
63652	63652
63673	63673
63683	63683
EE110-0-12R	R-9759-0P
EE110-0-24R	R-9759-0-24P
EE110-1-12R	R-9759-1P
EE110-1-24	R-9759-1-24P
EE110-1-24R	R-9759-1-24P
EE120-0-12R	R-9753-0P
EE120-0-24R	R-9753-0-24P
EE120-1-12R	R-9753-1P
EE120-1-24R	R-9753-1-24P
EE221-0-12R	R-7833-0P
EE221-0-24R	R-7833-0-24P
EE230-0-12R	R-9530-0P
EE230-0-24R	R-9530-0-24P
EE230-1-12R	R-9530-1P
EE230-1-24R	R-9530-1-24P
EE420-5-12R	EE420-5-12R
EE420-5-24R	EE420-5-24R
EE605-1-12R	R-9723-0P
EE605-1-24R	R-9723-0-24P
EE621-0-12R	77R1512
EE621-0-24R	77R1514
EE640-0-12R	77R1522
EE640-0-24R	77R1524
EE651-0-12R	77R1702
EE651-0-24R	77R1704
EE702-2-12R	R-297-0P
EE702-2-24R	R-297-0-24P
RD-3-17277-0P	RD-3-17277-0P
RD-3-17278-0P	RD-3-17278-0P
RD-3-17279-0P	RD-3-17279-0P
RD-4-5311-0P	77R1622
RD-4-5312-0P	77R1624
RD-4-5498-0P	77R1604
RD-4-7192-1M	RD-4-7192-1M
RD-5-10881-0P	75R89310

JBAR	
RD-5-9616-0P	77R1602
JOHN DEERE	
0721392315	74R2566
088411-01	74R0462
20604004, RD-5-9437-0	71R1402
221RD32	74R2546
2521168	75R8552Q
31211	71R8440
329-403, 329-413	71R8321
3501-79511	71R8440
4537, 6634	75R8354
488-45075	75R85032Q
488-45122, 2521266	75R86132Q
511051, RD-5-10723-0	75R0262
6504-6310	75R0232
6519-6210, 6514-6210	75R0204
6574-6210, 6514-6210	75R0202
6665	75R8384
676429-03	70R4348S
700351200	77R5260
700600200	77R5910
70500C2	71R2310
811876800	75R8612
811989600	73R9064
842581800	75R4734
842599200	73R4204
842599300	71R0350
842599800	73R6101
842600200	74R1706
842600300	72R3100
842600500	73R6151
842741500	75R5658
842828000	74R7210
842828200	71R7750
842829000	78R0070
842829400	71R1902
842829500	74R2556
842830000	71R8301
842831100	71R1150
842831200	71R4040
842831600	78R5350
842832600	79R4400
842833100	72R5200
842833700	77R0090
842930200	73R4102
842948700	71R0400
842948800	71R0010
842948900	71R2250
842949200	73R4252
842956000	78R5310

JOHN DEERE	
842956300	77R0100
842956500	73R8110
842976600	74R2526
842976800	71R7000
842976900	70R5056
842977700	70R5058
842978500	70R5051
842979300	75R8382
843010100	77R0110
843010700	74R0450
843026000	71R8300
843104100	73R0512
843109100	75R5648
843109200	75R5641
843111700	75R5718
843111800	75R5711
843141700	73R8080
97026234	78R5360M
AH112704	72R5050
AH114865	74R4206
AH122867	71R8321
AH122867, AH137702	71R8321
AH137486	74R4206
AH137702	71R8321
AH140818	71R8100
AH169875	75R9052
AH17726	75R7280
AH203871	71R8321
AH211387	74R4206
AH79301	75R0452
AH80191	71R8050
AH80197	71R2300
AH84588	71R1160
AH85846	75R1202
AH85847	75R4502
AL153705	74R0401
AL28688, AR58482, RE13886	71R8100
AR145866	71R6300
AR45867	74R2406
AR45868	71R6300
AR49960	71R2250
AR49961	71R8210
AR49962, 1183560, BSM205620, 2	
73R0442	
AR53155	71R1160
AR53324	71R2305
AR58482	71R8080
AR59779	71R2250
AR59780	74R4116
AR59964	71R1160
AR62497	73R4162

CROSS REFERENCE

O.E.M. PART NUMBER CROSS REFERENCE

Convert Other Part Numbers to Red Dot Aftermarket Numbers

CROSS
REFERENCE

JOHN DEERE	
AR74486	74R4116
AR82005	73R0532
AR82014	71R1160
AT125596	74R4206
AT141209	78R5315
AT151981	74R4206
AT162848	74R4206
AT163728	75R9024
AT168543	75R8934
AT172975	75R8934
AT173906	73R4242
AT175768	72R9010
AT197503	71R3200
AT197504	71R8380
AT197508	71R6150
AT197510	74R2590
AT197524	78R5410
AT211182	73R5532
AT220817	71R4020
AT221261	73R5632
AT221282	RD-5-8705-0P
AT221322	73R5634
AT223984	72R3110
AT226273	75R9014
AT253697	77R0650
AT262528	78R5360
AT262533	73R7200
AT262535	73R7210
AT262536	73R4424
AT262537	RD-3-3174-0P
AT262539	71R1450
AT262545	72R9020
AT262561	74R3466
AT262562	71R7050
AT262563	71R0854
AT306881	74R3327
AT63170	74R4206
CB11454708	RD-5-3860-4P
CB11454713	RD-2-1067-1P
CB11454715	RD-2-0921-1P
CB11454717	RD-2-1290-0P
CB11454718	73R8100
CB11454720	RD-2-1297-0P
CB11454721	77R0350
CB11454722	76R7100
CB11454723	RD-2-1072-0P
CB11454724	RD-2-1071-0P
CB11454725	RD-2-3150-0P
CB11454726	RD-2-1184-0P
CB11454727	RD-5-3894-1P
CB11454733	72R9045

JOHN DEERE	
CB11454735	72R3200
CB11454737	RD-2-1377-0P
CB11454738	RD-2-0961-0P
CB11454739	RD-2-1378-0P
CB11454741	73R6101
CB11454742	73R6151
CB11454745	73R4202
CB11454746	RD-5-4195-0P
CB11454747	73R6100
CB11454748	RD-2-0919-0P
CB11454749	R-9727-2P
CB11454750	RD-2-1380-0P
CB11454751	78R5300
D2AZ-19834-A	73R7000
F123828	71R7075
F124088	74R5061
F433289	74R0460
F436065	RD-5-10962-0M
F436068	76R7450
F436069	76R4100
F436072	RD-5-9561-0P
F436073	73R5624
F436076	RD-3-11138-0P
F436078	72R5060
F436088	78R5301
F436215	71R8504
F436217	RD-5-6912-0M
FFSB107501	70R6501
K332-C23	75R3452
K332-C32	75R3452
K332-C36	75R4352
KV16757	73R5552
R117721	RD-5-10962-0M
RD-1-1370-0	76R3455
RD-1-1478-0	76R4200
RD-1-1746-0	72R6562
RD-2-2495-0	76R6550
RD-2-2780-0	76R6655
RD-2-2897-0	76R7715
RD-2-3008-0	76R7030
RD-2-3395-0	76R7580
RD-2-3413-0	76R5820
RD-3133-4-24, RD-5-10491-24	73R0034
RD3133-9	73R8050
RD-4-4724-1	77R7005
RD-4-4968-0	77R7100
RD-4-5146-1	77R0570
RD-5-10544-0	75R0082
RD-5-3780-24	RD-5-12742-2P
RD-5-4665-0M	70R5706
RD-5-4827-24	73R0404

JOHN DEERE	
RD-5-5120-24	73R0514
RD-5-7061-1	74R2537
RD-5-7062-1	74R1826
RD-5-7123-0	73R8081
RD-5-7312-0	73R6300
RD-5-8100-0P	71R8423
RD-5-8105-0P	78R5315
RD-5-8193-2	72R5350
RD-5-8280-0P	70R4598S
RD-5-8641-0	RD-5-8641-0P
RD-5-8641-1	RD-5-8641-1P
RD-5-8665-0	71R1485
RD-5-8703-2	73R8562
RD-5-8838-0P	73R5534
RD-5-8923-0P	71R1465
RD-5-8982-0	71R6055
RD-5-9062-0	71R1480
RD-5-9076-2	73R8642
RD-5-9224-1	72R5285
RE24620	74R5050
RE24958	71R8506
RE46609	75R8932
RE46657	75R9062
RE49169	74R0400
RE51969	71R8506
RE57575	71R8440
RE70016	75R8932
SE501462	75R8932
T158848	78R5375
T160275	RD-5-4089-0M
T177224	72R9040
T213998	70R7170
TCU18879	71R1450
TCU18884	73R5642
TCU18887	71R1702
TCU18896	72R3135
TCU18899	74R2687
TCU18901	79R0020
TCU18904	75R82102
TY24304	75R9052
TY6764	75R9052
TY6783	75R9027

KENWORTH
SEE PACCAR

KYSOR - 7 DIGIT	
1010002	73R3002
1010008	73R2202
1011002	73R2212
1011003	73R2142
1011010	73R0092
1011011	73R0152
1011013	73R2112
1011015	73R4322
1011016	73R2152
1012002	73R0232
1012003	73R0062
1012004	73R0402
1012006	73R3062
1012008	73R0432
1012009	73R0322
1012010	73R5562
1012012	73R3002
1013003	73R2102
1013004	73R2132
1013005	73R3082
1013009	73R0142
1014003	73R0912
1014005	73R0232
1015001	73R3072
1015002	73R0912
1015005	73R0462
1015007	73R0412
1017002	73R4602
1017003	73R4322
1017004	73R0222
1017005	73R0222
1018001	73R1052
1018002	73R3032
1018003	73R0442
1018007	73R5592
1018008	73R3032
1075008	73R0532
1075010	73R0212
1075011	73R4504
1075012	73R0514
1075013	73R0454
1075017	73R0104
1075031	73R0022
1075035	73R0642
1099002	73R4182
1099003	73R2102
1099004	73R4162
1099005	73R0602
1099006	73R0552
1099007	73R0422
1099009	73R0922

O.E.M. PART NUMBER CROSS REFERENCE

Convert Other Part Numbers to Red Dot Aftermarket Numbers

KYSOR - 7 DIGIT	
1099010	73R0152
1099011	73R0702
1099012	73R0232
1099013	73R0502
1099014	73R2102
1099015	73R4062
1099016	73R0422
1099018	73R4312
1099020	73R4182
1099021	73R4252
1099022	73R0402
1099023	73R0962
1099024	73R0232
1099025	73R4322
1099026	73R4532
1099027	73R0702
1099029	73R0142
1099033	73R0652
1099034	73R0012
1099043	73R0542
1099047	73R4182
1099049	73R4062
1099050	73R0642
1099051	73R0142
1099063	73R3002
1099064	73R3022
1099065	73R4322
1099070	73R0612
1099079	73R0372
1099080	73R0022
1113003	73R6370
1118001	73R7215
1199007	73R7130
1199020	73R6251
1199033	73R7110
1199034	73R7120
1199035	73R7130
1299002	73R9062
1299007	73R9064
1299020	73R8080
1310012	75R2402
1312001	75R3002
1312002	75R0512
1312003	75R0522
1313001	75R0612
1313002	75R1342
1313003	75R4352
1313005	75R0452
1313006	75R1222
1313007	75R0612
1313008	75R0302

KYSOR - 7 DIGIT	
1399001	75R0252
1399002	75R0182
1399003	75R0452
1399004	75R4502
1399005	75R0302
1399006	75R0662
1399007	75R1302
1399008	75R0502
1399009	75R0682
1399010	75R4352
1399011	75R4742
1399012	75R4762
1399013	75R0402
1399014	75R1412
1399015	75R0182
1399016	75R1402
1399017	75R1652
1399018	75R2402
1399020	75R1402
1399021	75R2852
1399022	75R3002
1399023	75R1802
1399027	75R4652
1399030	75R1402
1399037	75R1412
1399038	75R1414
1399042	75R0202
1399043	75R0204
1399045	75R4734
1399046	75R4502
1399048	75R4734
1399049	75R4534
1399050	75R0232
1399051	75R4742
1399052	75R4752
1399056	75R4702
1399059	75R0042
1399060	75R4052
1399062	75R4752
1399064	75R3002
1399068	75R1532
1399083	75R1404
1401001	75R8512
1401003	75R8412
1401004	75R8282
1401006	75R8262
1401007	75R89320
1401009	75R8222
1401010	75R81702
1401011	75R8224
1401012	75R8292

KYSOR - 7 DIGIT	
1401014	75R8342
1401015	75R8272
1401017	75R8272
1401021	75R8352
1401022	75R8214
1401023	75R8232
1401024	75R8222
1401100	75R8384
1401101	75R83152
1401102	75R81472
1401103	75R8382
1401104	75R8252
1401106	75R81192
1401107	75R81582
1401108	75R8422
1401110	75R81452
1401111	75R81462
1401112	75R84492
1401113	75R8424
1401114	75R81482
1401115	75R84612
1401116	75R84572
1401117	75R81502
1401118	75R81512
1401119	75R84152
1401120	75R81262
1401121	75R84172
1401122	75R84182
1401123	75R8454
1401125	75R84192
1401126	75R84212
1401127	75R81352
1401128	75R8464
1401129	75R81312
1401130	75R81282
1401131	75R84492
1401135	75R8442
1401136	75R8354
1401139	75R81184
1401200	75R89462
1401201	75R89302
1401202	75R89312
1401203	75R89322
1401204	75R89334
1401205	75R89344
1401206	75R89352
1401207	75R89362
1401208	75R89354
1401209	75R89364
1401210	75R89372
1401211	75R89382

KYSOR - 7 DIGIT	
1401212	75R89374
1401213	75R89384
1401214	75R89392
1401215	75R89332
1401218	75R89412
1401219	75R89474
1401220	75R89414
1401223	75R89484
1401224	75R89314
1401225	75R89422
1401226	75R89424
1401227	75R89292
1401228	75R89394
1401325	75R89305
1401326	75R89310
1401327	75R89315
1401329	75R89325
1401330	75R84552
1401332	75R8322
1401333	75R8332
1401334	75R84482
1401335	75R84512
1401336	75R8384
1401338	75R81302
1401339	75R81232
1401340	75R81612
1401341	75R81212
1401343	75R84362
1401344	75R84372
1401345	75R81532
1401346	75R81302
1401362	75R81362
1401363	75R81372
1401371	75R81502
1401374	75R81562
1401378	75R84452
1401379	75R84382
1401380	75R81652
1401381	75R81582
1401382	75R81592
1401387	75R84492
1401400	75R81762
1402001	75R7280
1402002	75R7290
1402004	75R7312
1402006	75R7322
1402007	75R7332
1402010	75R7300
1402013	75R7290
1402014	75R8342
1402125	75R87120

CROSS REFERENCE

O.E.M. PART NUMBER CROSS REFERENCE

Convert Other Part Numbers to Red Dot Aftermarket Numbers

CROSS
REFERENCE

KYSOR - 7 DIGIT	
1403001	75R8512
1403010	75R8502
1403012	75R8522
1403013	75R8522
1403015	75R8522
1403100	75R8612
1403100	75R8612Q
1403101	75R8614
1403101	75R8614Q
1403102	75R8544Q
1403103	75R85932Q
1403105	75R8542
1403105	75R8542Q
1403106	75R8632
1403110	75R8614
1403111	75R85734
1403112	75R8532
1403112	75R8532Q
1403113	75R8552
1403114	75R85032Q
1403115	75R8552
1403115	75R8552Q
1403116	75R86152
1403116	75R86152Q
1403117	75R86172Q
1403119	75R85832
1403120	75R85932
1403121	75R85832
1403121	75R86132Q
1403125	75R8712
1403129	75R86202
1403135	75R85032
1403135	75R86212Q
1403137	75R8702
1403143	75R8672Q
1403144	75R1402
1403145	75R86142Q
1403164	75R8634Q
1404022	75R8102
1405001	75R8907
1405002	75R8907
1405003	75R8909
1406001	75R8722
1406002	75R81762
1406003	75R8742
1406005	75R81292
1406102	75R86194Q
1407008	75R6000
1407009	75R6010
1407010	75R6510
1408001	75R5651

KYSOR - 7 DIGIT	
1408002	75R5628
1408003	75R5608
1408004	75R5601
1408005	75R5611
1408013	75R5718
1408014	75R5711
1408022	75R5698
1408023	75R5691
1408024	75R5688
1408025	75R5681
1408026	75R5728
1408027	75R5721
1408030	75R5738
1408031	75R5731
1408034	75R5648
1408035	75R5641
1408036	75R5678
1408037	75R5560
1408038	75R5570
1408049	75R5808
1408050	75R5801
1408053	75R5658
1408054	75R5621
1409002	75R5618
1409003	75R5550
1409004	75R5560
1409005	75R5570
1409006	75R5560
1409007	75R5575
1409008	75R5700
1409009	75R5540
1409010	75R5705
1409014	75R5540
1409016	75R5570
1409018	75R5512
1410002	75R84292
1410007	75R81302
1410022	75R81662
1410024	75R84382
1411002	75R7290
1411005	75R8672Q
1511005	77R6805
1511006	77R5245
1511007	77R6807
1512008	77R6977
1512009	77R6978
1512015	77R6978
1514005	77R6930
1514011	77R6935
1514012	77R6935
1514013	77R6945

KYSOR - 7 DIGIT	
1514016	77R6955
1514017	77R6957
1514019	77R6925
1514020	77R6965
1514022	77R6985
1515002	77R7708
1515003	77R7710
1515006	77R7714
1515007	77R1105
1515008	77R7706
1515009	77R7712
1515010	77R0150
1515011	77R8200
1515012	77R0560
1515018	77R7715
1517001	77R7900
1517002	77R5350
1517003	76R6850
1517011	77R6950
1518001	77R1100
1518005	77R1150
1518006	77R5270
1518007	77R1175
1518013	77R5270
1518014	77R1150
1518015	77R1150
1518019	77R1150
1599002	77R1100
1599003	77R0900
1599005	77R0950
1599013	77R6900
1612002	76R7515
1612003	76R7040
1614001	76R7050
1615001	76R6700
1615003	76R6180
1615004	76R6000
1615006	76R6950
1615007	76R5600
1615008	76R7510
1615009	76R6140
1617003	76R6850
1617008	76R7010
1618001	76R6350
1619001	76R6310
1699001	76R6110
1699002	76R6150
1699003	76R5000
1712002	76R2155
1712005	76R2340
1712006	76R2320

KYSOR - 7 DIGIT	
1712008	70R7310
1712009	76R1600
1712011	76R2410
1712016	76R2420
1714001	76R3400
1714003	76R2600
1715006	76R3300
1715007	76R3930
1717007	76R3460
1717008	76R3250
1717009	76R2350
1799001	76R2400
1799006	76R2210
1810002	71R8501
1810003	71R8500
1811001	71R8503
1811002	71R8501
1812001	71R8410
1812002	71R8370
1812003	71R8350
1812004	71R9002
1812006	71R8455
1812007	71R8457
1812010	74R3126
1812016	71R8425
1813002	71R8210
1813003	71R8080
1813004	71R8405
1813005	71R8405
1813007	71R8415
1813008	71R8507
1813009	71R8080
1814001	71R8100
1818001	71R8090
1818002	71R8440
1818005	71R8321
1875003	71R8100
1899002	71R8504
1899003	71R8505
1899005	71R8321
1899006	71R8370
1899008	71R8050
1899009	71R8100
1899010	71R8400
1899011	72R1502
1899017	71R9004
1899019	71R9002
1899020	71R9002
1899025	71R8080
1899028	71R8380
1899030	71R8430

O.E.M. PART NUMBER CROSS REFERENCE

Convert Other Part Numbers to Red Dot Aftermarket Numbers

KYSOR - 7 DIGIT	
1899031	71R8420
1899035	71R8301
1910016	74R0450
1910018	74R5600
1910022	74R0450
1910024	75R2552
1911002	74R5067
1911005	74R0460
1911006	74R0460
1911007	74R5063
1911008	74R3140
1911013	74R5095
1912001	74R2667
1912002	74R2606
1912003	74R2606
1912004	74R3309
1912005	74R3330
1912006	74R3310
1912007	74R3310
1912008	74R3327
1912009	74R3313
1912010	74R3126
1912011	74R3126
1912012	74R3126
1912013	74R4215
1912014	74R3330
1912015	74R4028
191300	74R3450
1913001	74R3450
1913002	74R3156
1913004	74R3455
1913005	74R3310
1913006	74R4016
1913007	74R5097
1914001	74R3306
1914002	74R2306
1914003	74R3356
1915001	74R3076
1915002	74R3322
1915003	74R3056
1915004	74R3346
1915005	74R1856
1917001	74R2616
1917002	74R3156
1917003	74R5050
1917004	74R5060
1918001	74R2608
1918002	74R3106
1918003	74R1427
1918004	74R1406
1918005	74R3106

KYSOR - 7 DIGIT	
1919001	74R2676
1919002	74R3377
1975002	74R4006
199003	74R2526
1999004	74R5093
1999006	74R2526
1999007	74R2106
1999008	74R0906
1999009	74R1756
1999010	74R1706
1999011	74R1806
1999015	74R0400
1999016	74R2536
1999017	74R3330
1999019	74R2667
1999021	74R2676
1999022	74R1956
1999030	74R2406
1999032	74R2586
1999034	74R1756
1999037	74R2556
1999040	74R1106
1999046	74R2002
1999203	74R2706
2012006	71R1455
2012010	71R1455
2013002	71R1922
2013003	71R1460
2013004	71R1457
2018004	71R1457
2099001	71R1902
2099002	71R1722
2099003	71R1702
2099004	71R1457
2099005	71R1450
2099013	71R1702
2111001	71R0487
2112005	71R1620
2112013	71R1170
2113003	71R0480
2113004	71R0030
2114001	71R0460
2114002	71R0460
2114003	71R1620
2117001	71R0600
2118003	71R1160
2175002	71R1210
2175003	71R1200
2199002	71R1210
2199003	71R1610
2199005	71R1160

KYSOR - 7 DIGIT	
2199006	71R0200
2199007	71R0400
2199008	71R0450
2199009	71R0100
2199011	71R3573
2199013	71R0470
2199014	71R0250
2199019	72R0210
2199022	71R0500
2199023	71R0550
2199024	71R1163
2199027	71R1160
2199060	71R6150
2212001	71R7075
2212002	71R7077
2212003	71R6220
2212005	71R6210
2212008	71R6400
2213001	71R6020
2213005	71R6120
2213007	71R6183
2213008	71R6181
2213009	71R6405
2213010	71R6070
2213011	71R6090
2213012	71R3300
2213013	71R3300
2214003	71R6175
2215003	71R6257
2215004	71R7000
2217001	71R6180
2217002	71R6170
2218008	71R6580
2218015	71R6576
2218016	71R6600
2218017	71R6442
2218018	71R6445
2218019	71R6470
2218023	71R6475
2218025	71R6571
2218028	71R6563
2218029	71R6578
2218031	71R6426
2218032	71R6418
2275002	71R6030
2275005	71R6100
2299003	71R7550
2299004	71R7500
2299005	71R6050
2299006	71R6300
2299007	71R6070

KYSOR - 7 DIGIT	
2299008	71R7650
2299010	71R6040
2299031	71R6405
2299033	71R7050
2311001	71R2305
2312001	71R3150
2313001	71R2700
2313002	71R3300
2314001	71R3100
2318001	71R2605
2375001	71R2100
2399001	71R3200
2399002	71R2300
2399003	71R2200
2399004	71R2250
2399005	71R3100
2399006	71R33220
2399008	71R2500
2399009	71R3160
2399010	71R2700
2399011	71R2600
2399012	71R2700
2399018	71R2300
2399019	71R2300
2411003	72R5500
2411005	72R5040
2412001	72R5070
2412002	72R6510
2412004	72R6510
2412007	72R6515
2412013	72R6410
2417001	72R5260
2475001	72R5050
2499002	72R6400
2499004	72R6530
2499005	72R6420
2499025	72R5200
2499029	72R6520
2499031	72R5060
2499038	72R6410
2499045	72R5600
2499050	70R7100
2499051	70R7150
2499052	70R7200
2499056	70R7310
2499059	70R7250
2499060	70R7500
2575003	71R4060
2575006	71R4050
2575008	71R4040
2599013	72R8315

CROSS
REFERENCE

O.E.M. PART NUMBER CROSS REFERENCE

Convert Other Part Numbers to Red Dot Aftermarket Numbers

CROSS REFERENCE

KYSOR - 7 DIGIT	
2599015	72R8280
2599020	72R8250
2599021	72R8270
2599031	71R4105
2599037	71R4035
2599041	71R4010
2599044	71R4020
2599051	71R4065
260820	73R7215
2610001	78R0456
2610002	78R0458
2610003	78R0451
2610004	78R0452
2610006	79R1525
2610007	79R1520
2610771	70R2406S
2610772	70R2408S
2610773	70R2401S
2610774	70R2402S
2610777	70R2016S
2610778	70R2018S
2610779	70R2011S
2610780	70R2012S
2610901	70R2076S
2610902	70R2078S
2610903	70R2071S
2610904	70R2072S
2611151	70R4346S
2611152	70R4348S
2611153	70R4341S
2611154	70R4342S
2611191	70R4396S
2611192	70R4341S
2611193	70R4391S
2611194	70R4392S
2611196	70R4796S
2611198	70R4791
2611201	70R4306S
2611202	70R4308S
2611203	70R4301S
2611204	70R4302S
2611205	70R4006
2611206	70R4798
2611208	70R4701S
2611301	70R4506S
2611302	70R4508S
2611303	70R4501S
2611304	70R4502
2611351	70R4506S
2611352	70R4508S
2611353	70R4501S

KYSOR - 7 DIGIT	
2611391	70R4596S
2611392	70R4598S
2611393	70R4591S
2612101	70R4206
2612102	70R4208
2612103	70R4201
2612191	70R4296
2612194	70R4292
2612201	70R4406S
2612202	70R4408S
2612203	70R4401S
2612204	70R4402S
2612207	70R4606
2612208	70R4608S
2612209	70R4601S
2612211	70R4602
2612251	70R4446S
2612252	70R4448S
2612253	70R4441S
2612254	70R4442
2612256	70R4646S
2612257	70R4641S
2612291	70R4496S
2612292	70R4498S
2612293	70R4491S
2612294	70R5091S
2612296	70R4696S
2612297	70R4698S
2612298	70R4691S
2612502	70R7008S
2612503	70R7001S
2612504	70R7002S
2612519	70R5091S
2612552	70R6448
2612553	70R6441
2612591	70R6496S
2612593	70R6491S
2620793	70R2091
2621101	70R4106
2621102	70R4108
2621103	70R4101
2621191	70R4196
2621192	70R4198
2621193	70R4191
2621302	70R4508
2622103	70R4201
2622193	70R4291
2622401	70R4416S
2622491	70R4996
2622492	70R4998
2622493	70R4991

KYSOR - 7 DIGIT	
2630001	78R8456
2630002	78R8458
2630003	78R8451
2630004	78R8452
2630005	70R8806
2630006	70R8808
2630007	70R8801
2630008	70R8802
2630009	70R8826
2630010	70R8828
2630011	70R8821
2630012	70R8822
2630013	79R8920
2630014	79R8930
2630015	79R8931
2630017	70R8556
2630019	70R8558
2630020	70R8551
2630021	70R8511
2630701	70R8216
2630702	70R8218
2630703	70R8211
2630707	70R8281
2630721	70R8288
2630722	70R8282
2632202	70R8608
2632203	70R8601
2632204	70R8602
2632206	70R8706
2632207	70R8708
2632208	70R8701
2632251	70R8646
2632252	70R8648
2632253	70R8641
2632254	70R8642
2632258	70R82511
2632291	70R8696
2632292	70R8648
2632293	70R8691
2632294	70R8692
2632296	70R8796
2632297	70R8798
2632298	70R8791
2632501	70R8206
2632502	70R8208
2632503	70R8201
2632506	70R8621
2632559	70R8996
2632560	70R8998
2632566	70R8891
2632591	70R8206

KYSOR - 7 DIGIT	
2632592	70R8098
2632593	70R8091
2632594	70R8761
2632596	70R8198
2632597	70R8761
2633801	70R8886
2633802	70R8888
2633803	70R8881
2633891	70R8086
2633892	70R8088
2633893	70R8071
2633898	70R8591
2799005	70R3530
2799010	70R3500
2799012	70R3590
2799013	70R5057
2799015	70R5056
2799016	70R5058
2799017	70R5051
2799018	70R5052
2799037	72R9020
2799040	72R9040
2799046	70R6506
2799048	70R6508
2799050	70R6501
2799066	70R5706
2799067	70R5718
2799076	70R5550
2799077	70R5600
2799084	78R0200
2799085	78R0250
2799086	78R0300
2799087	78R0350
2799095	75R5200
2799097	75R5201
2799116	70R5058
2799117	70R5051
2799200	70R5010
2799201	70R4416S
2799202	70R5020
2899001	75R5829
2899002	75R5820
2899003	75R5827
2899004	75R5824
2899005	75R5819
2899006	75R5815
2899026	75R5834
2899028	70R5110
2899029	70R5115
2899031	79R1650
2899032	70R5120

O.E.M. PART NUMBER CROSS REFERENCE

Convert Other Part Numbers to Red Dot Aftermarket Numbers

KYSOR - 7 DIGIT

2899033	70R5125
2899035	79R0020
2899100	79R4600
2899104	79R4615
2999015	79R4400
2999025	79R3147
2999059	79R4020
2999060	79R4040
3099003	79R4563
3099005	79R4580
3099008	79R4595
3112007	78R5237
3112008	78R5237
3112012	78R5430
3113001	78R5302
3113003	78R5306M
3113005	78R5304
3199015	78R5310
3199016	78R5360
3199017	78R5313
3199018	78R5254
3199021	78R5308
3199025	78R5236
3199030	78R5235
3199032	78R5257
3199033	78R5350
3199035	74R2687
3199037	78R5375
3199038	78R5301
3199040	78R5255
3199041	78R5400
3199042	78R5318
3199045	78R5256
3199052	78R5243
3212009	72R3156
3213001	72R2140
3275002	72R3110
3275008	72R2550
3275009	72R2105
3299002	72R3050
3299004	72R3110
3299009	72R2130
3299018	72R2140
3299020	72R3100
3299021	72R2350
3299023	72R3135
3299043	72R2120

MACK

101RD-41P2	73R9052
18MJ220P4	RD-5-6920-2P
1MR2380	71R7500
1MR2404M	71R7650
1MR2456	71R6402
1MR3165P2	71R0200
1MR3410-P1	71R0200
1MR3439	71R7500
1MR3462	71R7000
1MR3506	71R7050
1MR3506P2	71R7550
1MR3550M	71R6125
1MR3561	71R6408
1MR3562	71R6414
1MR3572	71R6405
1MR3575	71R6418
1MX1280	75R4502
1MX240	75R1202
1MX246	75R4502
1MX41281	75R0302
1MXA243	75R2402
1MXA3268	75R4652
203RD433P2	75R7280
20443850	71R8467
206RD34	75R7290
206RD39302	75R7280
206RD41	75R7280
206RD410A	75R81472
206RD410AP2	75R81472
206RD413M	75R8382Q
206RD45	75R81702
206RD45A	75R81702
206RD46AM	75R81472
206RD47A	75R8262
206RD48AM	75R81702
206RD49AM	75R8232
206RD51M	75R81622
206RD53M	75R9612
20721587	75R9612
207RD22P2	75R7280
208-RD-31	75R1802
208-RD39301	75R0152
209RD263	75R9515
20QE29326	72R1502
20QE3300	RD-5-8572-0P
20QE39311	72R0200
210RD2165	77R0150
210RD277P2	77R6200
210RD334	74R3107
210RD39303	74R2106
210RD410M	77R7706

MACK

210RD411M	77R7708
210RD412	77R7710
210RD413	77R7712
210RD418	77R7714
210RD421M	77R1105
210RD422	77R8315
210RD424	77R8320
210RD427	77R8345
210RD428	77R7715
210RD435952	77R8200
210RD45A	77R0570
210RD45A-P2	77R0150
210RD45M	77R0150
210RD46AM	77R7702
210RD48	77R6900
210RD49	RD-4-3595-5P
210RD49302P2	77R8200
210RD510M	77R6995
210RD517M	77R8340
210RD54	77R0150
210RD54M	77R7704
210RD59M	77R8335
21349570	75R89702
213RD29304	70R2206
213RD29305	70R2201
213RD31	RD-5-4448-0P
216KD229	RD-5-3827-8P
221RD2323P2	74R1956
221RD312	74R3056
221RD315	74R1956
221RD32	74R2547
221RD323P2	74R1956
221RD323-P2	74R1706
221RD327	74R1856
221RD328	74R1856
221RD331	74R3322
221RD333	74R3346
221RD334	74R3324
221RD335	74R3077
221RD44M	74R1427
2228RD33	71R6561
227RD21	70R3590
228RD31	71R6565
228RD32	71R6563
228RD33	71R6561
25084274	RD-5-3827-8P
25157990	75R84492
25164625	75R8212
25169273	74R3107
25172536	77R6995
25172694	RD-5-6920-2P

MACK

25172694REVP01	RD-5-6920-2P
25192657	77R8340
25496646	RD-1-1095-1P
25498277	RD-5-4448-0P
25624691	RD-3-3425-0P
25624691REVP01	RD-3-3425-0P
260RD412M	75R8214
2790-257160	73R0922
2790-275102	73R4062
2790-275140	73R0232
2790-275152	73R4162
2790-275160	73R0532
2790-HV213034	73R2262
2790-HV213051	73R2262
2790-HV22563	72R5050
2790-HV27072	71R2250
2790-HV30644	72R5040
2790-HV32742	73R0422
2790-HV33105	73R2262
2790-HV33109	73R2262
2790-HV34320	73R2262
29RD29301	72R6420
2MR2014	71R1702
2RD39303	74R2706
2RD4107	RD-1-1095-1P
30RS326	72R5210
3230-218023	71R8080
3230-221519	71R1160
3230-221703	71R3100
3230-221707	71R3100
3230-224765	73R0402
3230-22533	71R2800
3230-51020	RD-5-4387-0P
3486-70118-09003	71R1702
3486-80-321-00-019	71R8060
3486-80-412-00-217	71R8060
3486-809-03-00-019	73R0402
3543-R0442001	76R7740
3917-62321-G2	71R1150
3917-65885-C2	71R1702
4300-17660	RD-5-4387-0P
4379-215970	76R6000
4379-510504600P	78R8456
4379-R20006	R-2000-6P
4379-R2000624	R-2000-6-24P
4379-R20006P	R-2000-6P
4379-R20200	R-2020-0P
4379-R2020024	R-2020-0-24P
4379-R2020024P	R-2020-0-24P
4379-R21000	R-2100-0P
4379-R2100024	R-2100-0-24P

CROSS REFERENCE

O.E.M. PART NUMBER CROSS REFERENCE

Convert Other Part Numbers to Red Dot Aftermarket Numbers

CROSS REFERENCE

MACK	
4379-R21000P	R-2100-0P
4379-R21001124P	R-2100-11-24P
4379-R21002	R-2100-2P
4379-R2100224P	R-2100-2-24P
4379-R2300024P	R-2300-0-24P
4379-R23000P	R-2300-0P
4379-R2540	R-254-0P
4379-R254024	R-254-0-24P
4379-R254024P	R-254-0-24P
4379-R2540P	R-254-0P
4379-R2541	R-254-1P
4379-R2541P	R-254-1P
4379-R2544	R-254-4P
4379-R2544P	R-254-4P
4379-R2550	R-255-0P
4379-R25500	R-2550-0P
4379-R255024P	R-255-0-24P
4379-R2550P	R-255-0P
4379-R2551	R-255-1P
4379-R2554	R-255-4P
4379-R2560	R-256-0P
4379-R2700	R-270-0P
4379-R270024	R-270-0-24P
4379-R2900	R-290-0P
4379-R290024	R-290-0-24P
4379-R2900P	R-290-0P
4379-R2901	R-290-1P
4379-R290124	R-290-1-24P
4379-R2904	R-290-4P
4379-R290424	R-290-4-24P
4379-R2950	R-295-0P
4379-R295024P	R-295-0-24P
4379-R2954	R-295-4P
4379-R35001	R-3500-1P
4379-R35402	R-3540-2P
4379-R4013H	R-4013HP
4379-R4013H24	R-4013H-24P
4379-R41221	R-4122-1P
4379-R41229	R-4122-9P
4379-R45008	R-4500-8P
4379-R4500824	R-4500-8-24P
4379-R50400	R-5040-0P
4379-R50402	R-5040-2P
4379-R50404	R-5040-4P
4379-R50406	R-5040-6P
4379-R50452	R-5045-2P
4379-R5045224	R-5045-2-24P
4379-R5045224P	R-5045-2-24P
4379-R50453	R-5045-3P
4379-R50750	R-5075-0P
4379-R50750P	R-5075-0P

MACK	
4379-R6100024	R-6100-0-24P
4379-R61000P	R-6100-0P
4379-R6101024P	R-6101-0-24P
4379-R61010P	R-6101-0P
4379-R61600	R-6160-0P
4379-R6160024	R-6160-0-24P
4379-R61600P	R-6160-0P
4379-R62601	R-6260-1P
4379-R6260124	R-6260-1-24P
4379-R68300	R-6830-0P
4379-R6830024	R-6830-0-24P
4379-R68300P	R-6830-0P
4379-R68400P	R-6840-0P
4379-R78300	R-7830-0P
4379-R7830024	R-7830-0-24P
4379-R78300P	R-7830-0P
4379-R82300	R-8230-0P
4379-R82350	R-8235-0P
4379-R85000	R-8500-0P
4379-R85001P	R-8500-1P
4379-R8500224P	R-8500-2-24P
4379-R85003P	R-8500-3P
4379-R854510	R-8545-10P
4379-R85451024	R-8545-10-24P
4379-R854512P	R-8545-12P
4379-R86000P	R-8600-0P
4379-R87250	R-8725-0P
4379-R87300	R-8730-0P
4379-R88201	R-8820-1P
4379-R88201P	R-8820-1P
4379-R88202P	R-8820-2P
4379-R9520024P	R-9520-0-24P
4379-R971510	R-9715-10P
4379-R97203	R-9720-3P
4379-R9720324P	R-9720-3-24P
4379-R97203P	R-9720-3P
4379-R9725124P	R-9725-1-24P
4379-R97271	R-9727-1P
4379-R97300	R-9730-0P
4379-R9730024	R-9730-0-24P
4379-R97501024P	R-9750-10-24P
4379-R9750924	R-9750-9-24P
4379-R97550	R-9755-0P
4379-R9755024	R-9755-0-24P
4379-R97550P	R-9755-0P
4379-R9757024	R-9757-0-24P
4379-R9757024P	R-9757-0-24P
4379-R97770	R-9777-0P
4379-R9777024	R-9777-0-24P
4379-R97770P	R-9777-0P
4379-R97771	R-9777-1P

MACK	
4379-R9777124	R-9777-1-24P
4379-R97771P	R-9777-1P
4379-R97800P	R-9780-0P
4379-R99760P	R-9976-0P
4379-RD101471	76R2600
4379-RD10147-1	76R2600
4379-RD102661	76R3000
4379-RD102970	76R2700
4379-RD103250	76R3500
4379-RD103330	76R2300
4379-RD103330P	76R2300
4379-RD103520	RD-1-0352-0P
4379-RD103550	76R1100
4379-RD103551	76R1110
4379-RD103552	76R1400
4379-RD103553	76R1410
4379-RD103554	76R1120
4379-RD103555	76R1450
4379-RD103650	RD-1-0365-0P
4379-RD103660	RD-1-0366-0P
4379-RD103711	76R2210
4379-RD103880	76R3400
4379-RD104110	RD-1-0411-0P
4379-RD104110P	RD-1-0411-0P
4379-RD104190	RD-1-0419-0P
4379-RD104220	72R3601
4379-RD104230	72R3603
4379-RD104250	70R7600
4379-RD104260	70R7650
4379-RD104270	76R0500
4379-RD104340	76R2220
4379-RD104601	76R2500
4379-RD104950	RD-1-0495-0P
4379-RD104951	RD-1-0495-1P
4379-RD104961	RD-1-0496-1P
4379-RD104961P	RD-1-0496-1P
4379-RD105200	76R3450
4379-RD105330	RD-1-0533-0P
4379-RD105500	76R3300
4379-RD10550-0	76R3300
4379-RD105520	RD-1-0552-0P
4379-RD105630	76R2400
4379-RD105740	76R2350
4379-RD106000	76R4000
4379-RD106050	RD-1-0605-0P
4379-RD106151	76R1900
4379-RD106160	RD-1-0616-0P
4379-RD106390	RD-1-0639-0P
4379-RD106420	RD-1-0642-0P
4379-RD106500	76R3250
4379-RD106610	70R7270

MACK	
4379-RD106612	RD-1-0661-2P
4379-RD106613	RD-1-0661-3P
4379-RD106617	RD-1-0661-7P
4379-RD106619	RD-1-0661-9P
4379-RD106620	70R7170
4379-RD106622	70R7175
4379-RD106629	RD-1-0662-9P
4379-RD106629P	RD-1-0662-9P
4379-RD106650	76R2450
4379-RD106800	76R3900
4379-RD10693-0	76R3930
4379-RD107000	76R3910
4379-RD107150	76R3460
4379-RD107260	76R1000
4379-RD107430	RD-1-0743-0P
4379-RD107440	76R3930
4379-RD107460	76R2730
4379-RD107520	76R2330
4379-RD107521	76R2340
4379-RD107550	76R2320
4379-RD107711	76R1510
4379-RD107932	RD-1-0793-2P
4379-RD107934	RD-1-0793-4P
4379-RD107950	70R7310
4379-RD107990	76R1600
4379-RD108200	76R2360
4379-RD108220	76R2410
4379-RD108221	RD-1-0822-1P
4379-RD108300	76R1030
4379-RD108370	RD-1-0837-0P
4379-RD108520	RD-1-0852-0P
4379-RD108600	78R5253
4379-RD108601	78R5253
4379-RD108610	RD-1-0861-0P
4379-RD109580	76R2010
4379-RD10958-0	76R2010
4379-RD109590	RD-1-0959-0P
4379-RD109590P	RD-1-0959-0P
4379-RD1100540	77R9020
4379-RD1100690	76R6050
4379-RD1100922	78R1705
4379-RD110830	RD-1-1083-0P
4379-RD110830P	RD-1-1083-0P
4379-RD110850	RD-1-1085-0P
4379-RD110850P	RD-1-1085-0P
4379-RD111410	RD-1-1141-0P
4379-RD112010	76R2420
4379-RD112810	76R3920
4379-RD113260	76R2550
4379-RD113510	76R3010
4379-RD113640	76R3470

O.E.M. PART NUMBER CROSS REFERENCE

Convert Other Part Numbers to Red Dot Aftermarket Numbers

MACK	
4379-RD113790	76R1860
4379-RD114010	76R1550
4379-RD114800	76R1870
4379-RD114850	76R1710
4379-RD115451	RD-1-1545-1P
4379-RD115700	RD-1-1570-0P
4379-RD116030	76R3420
4379-RD116510	RD-1-1651-0P
4379-RD116510P	RD-1-1651-0P
4379-RD116540	RD-1-1654-0P
4379-RD116540P	RD-1-1654-0P
4379-RD117480	76R4020
4379-RD117550	76R1560
4379-RD119650P	RD-1-1965-0P
4379-RD120060	76R3465
4379-RD122550	RD-1-2255-0P
4379-RD123820	76R2160
4379-RD123830	76R2150
4379-RD125570	76R2155
4379-RD207500	70R3006
4379-RD207640	70R2700
4379-RD207816	RD-2-0781-6P
4379-RD207817	RD-2-0781-7P
4379-RD208152650	RD-2-0815-26.50P
4379-RD208610	70R3008
4379-RD208630	76R6600
4379-RD208712	70R3906
4379-RD208722	70R3901
4379-RD209211	RD-2-0921-1P
4379-RD209860	RD-2-0986-0P
4379-RD209931	76R5200
4379-RD210011	RD-2-1001-1P
4379-RD210170	RD-2-1017-0P
4379-RD210170P	RD-2-1017-0P
4379-RD210510	76R6500
4379-RD211210	76R6300
4379-RD21121-0	76R6300
4379-RD211211	RD-2-1121-1P
4379-RD211212	76R7100
4379-RD211375	76R6110
4379-RD21137-5	76R6110
4379-RD211560	76R6700
4379-RD21156-0	76R6700
4379-RD211840	RD-2-1184-0P
4379-RD211890	RD-2-1189-0P
4379-RD211890P	RD-2-1189-0P
4379-RD211950	76R5500
4379-RD212010	RD-2-1201-0P
4379-RD212060	RD-2-1206-0P
4379-RD212060P	RD-2-1206-0P
4379-RD212062	RD-2-1206-2P

MACK	
4379-RD212070	RD-2-1207-0P
4379-RD212070P	RD-2-1207-0P
4379-RD212071	RD-2-1207-1P
4379-RD212071P	RD-2-1207-1P
4379-RD212072	RD-2-1207-2P
4379-RD212400P	RD-2-1240-0P
4379-RD212450	RD-2-1245-0P
4379-RD212500P	RD-2-1250-0P
4379-RD212663	RD-2-1266-3P
4379-RD212720	76R6310
4379-RD212840	RD-2-1284-0P
4379-RD212880	RD-2-1288-0P
4379-RD212900	RD-2-1290-0P
4379-RD212900P	RD-2-1290-0P
4379-RD212960	RD-2-1296-0P
4379-RD212960P	RD-2-1296-0P
4379-RD212970	RD-2-1297-0P
4379-RD212970P	RD-2-1297-0P
4379-RD212990P	RD-2-1299-0P
4379-RD213020	RD-2-1302-0P
4379-RD213020P	RD-2-1302-0P
4379-RD213150	RD-2-1315-0P
4379-RD213160	76R6350
4379-RD213540	RD-2-1354-0P
4379-RD213640	76R7050
4379-RD213700	76R7070
4379-RD213780	RD-2-1378-0P
4379-RD213810	76R6950
4379-RD213890	RD-2-1389-0P
4379-RD213980	RD-2-1398-0P
4379-RD214020	76R6150
4379-RD214650	RD-2-1465-0P
4379-RD214690	RD-2-1469-0P
4379-RD214700	76R7700
4379-RD214710	RD-2-1471-0P
4379-RD214801	76R6180
4379-RD21480-1	76R6180
4379-RD214850	76R6850
4379-RD214950	70R3001
4379-RD214991	RD-2-1499-1P
4379-RD214991P	RD-2-1499-1P
4379-RD215011	RD-2-1501-1P
4379-RD215020	RD-2-1502-0P
4379-RD215021	RD-2-1502-1P
4379-RD215100	76R5000
4379-RD215390	RD-2-1539-0P
4379-RD215550	76R7500
4379-RD21588-0	76R7510
4379-RD215900	76R6140
4379-RD21590-0	76R6140
4379-RD215970	76R6000

MACK	
4379-RD21597-0	76R6000
4379-RD216070	RD-2-1607-0P
4379-RD216100	76R7010
4379-RD216160	76R7520
4379-RD216330	76R4900
4379-RD2164730	RD-2-1647-30P
4379-RD216500	76R6440
4379-RD216550	76R7510
4379-RD21655-0	76R7510
4379-RD216580	76R6420
4379-RD2165926	RD-2-1659-26P
4379-RD216600	76R6120
4379-RD216640	76R5300
4379-RD216690	76R5600
4379-RD21669-0	76R5600
4379-RD217272650	RD-2-1727-26.50P
4379-RD217350	RD-2-1735-0P
4379-RD217550	76R5520
4379-RD217580	RD-2-1758-0P
4379-RD217660	76R7550
4379-RD217670	76R6030
4379-RD2178412	RD-2-1784-12P
4379-RD218620	76R6160
4379-RD218670	76R7540
4379-RD218980	76R6130
4379-RD21898-0	76R6130
4379-RD218981	RD-2-1898-1P
4379-RD218981P	RD-2-1898-1P
4379-RD219090	76R5030
4379-RD220470	76R4920
4379-RD220480P	73R5612
4379-RD221560P	RD-2-2156-0P
4379-RD2216375	RD-2-2163-75P
4379-RD223300	RD-2-2330-0P
4379-RD224230	76R7530
4379-RD224400	76R7560
4379-RD2248659	RD-2-2486-59P
4379-RD224950	76R6550
4379-RD225020	76R6960
4379-RD225030	76R6810
4379-RD226931	RD-2-2693-1P
4379-RD227010	RD-2-2701-0P
4379-RD227450	RD-2-2745-0P
4379-RD227620	76R6430
4379-RD227910	76R6015
4379-RD2281663	RD-2-2816-63P
4379-RD2281767	RD-2-2817-67P
4379-RD228850	76R5700
4379-RD228900P	RD-2-2890-0P
4379-RD229220	RD-2-2922-0P
4379-RD229280	76R6040

MACK	
4379-RD230060	RD-2-3006-0P
4379-RD230060P	RD-2-3006-0P
4379-RD230080	76R7030
4379-RD230700	76R6650
4379-RD231500	RD-2-3150-0P
4379-RD232510	76R5320
4379-RD232790	RD-2-3279-0P
4379-RD232790P	RD-2-3279-0P
4379-RD233210	76R7570
4379-RD233950	76R7580
4379-RD233980	76R7710
4379-RD234130	76R5820
4379-RD234250	RD-2-3425-0P
4379-RD235150	RD-2-3515-0P
4379-RD235150P	RD-2-3515-0P
4379-RD236730	RD-2-3673-0P
4379-RD236730P	RD-2-3673-0P
4379-RD236830	78R5291
4379-RD236930	RD-2-3693-0P
4379-RD237651	71R8910
4379-RD237730	76R6070
4379-RD237751	71R8915
4379-RD238280	76R7507
4379-RD248441	70R3908
4379-RD248451	70R3912
4379-RD2700P	R-270-0P
4379-RD3101110P	RD-3-10111-0P
4379-RD3101940	76R3905
4379-RD3103580	RD-3-10358-0P
4379-RD3105380	73R4532
4379-RD3105512	71R8920
4379-RD3105513	71R8925
4379-RD310612	73R0552
4379-RD31061224	73R0554
4379-RD310613	73R0602
4379-RD3106-13	73R0602
4379-RD31061324	73R0604
4379-RD310618	73R0202
4379-RD31061824	73R0204
4379-RD310638	73R6101
4379-RD310639	73R6151
4379-RD3108470P	78R5367
4379-RD311413	RD-3-1141-3P
4379-RD31339	73R8050
4379-RD313597	71R5102
4379-RD313598	71R5112
4379-RD3144481P	RD-3-14448-1P
4379-RD315662	72R4530
4379-RD31695	RD-3-169-5P
4379-RD31846	RD-3-184-6P
4379-RD31961	72R3510

CROSS REFERENCE

O.E.M. PART NUMBER CROSS REFERENCE

Convert Other Part Numbers to Red Dot Aftermarket Numbers

CROSS
REFERENCE

MACK	
4379-RD31963	72R3530
4379-RD31965	72R3550
4379-RD319780	RD-3-1978-0P
4379-RD32001	71R5052
4379-RD32002	71R5062
4379-RD320529	RD-3205-29P
4379-RD323070	RD-3-2307-0P
4379-RD324152	RD-3-2415-2P
4379-RD325470	RD-3-2547-0P
4379-RD325471	RD-3-2547-1P
4379-RD325572	73R7151
4379-RD325920	RD-3-2592-0P
4379-RD326130	70R2720
4379-RD32670	RD-3267-0P
4379-RD32670P	RD-3267-0P
4379-RD32671	72R1100
4379-RD3267-1	72R1100
4379-RD3270-0	76R6300
4379-RD32702	RD-3270-2P
4379-RD32703	76R7400
4379-RD327881	RD-3-2788-1P
4379-RD327884	RD-3-2788-4P
4379-RD327886	RD-3-2788-6P
4379-RD327887	RD-3-2788-7P
4379-RD330310	RD-3-3031-0P
4379-RD330500	70R2710
4379-RD33120	76R6400
4379-RD331211	RD-3-3121-1P
4379-RD331740	RD-3-3174-0P
4379-RD331740P	RD-3-3174-0P
4379-RD332551	RD-3-3255-1P
4379-RD332551P	RD-3-3255-1P
4379-RD333000	RD-3-3300-0P
4379-RD333110	RD-3-3311-0P
4379-RD333210	RD-3-3321-0P
4379-RD333232	RD-3-3323-2P
4379-RD334250	RD-3-3425-0P
4379-RD334300	RD-3-3430-0P
4379-RD334540	74R7210
4379-RD335900	RD-3-3590-0P
4379-RD335900P	RD-3-3590-0P
4379-RD337250	RD-3-3725-0P
4379-RD337511	71R5212
4379-RD337512	RD-3-3751-2P
4379-RD337514	RD-3-3751-4P
4379-RD337940	RD-3-3794-0P
4379-RD338052	RD-3-3805-2P
4379-RD338052P	RD-3-3805-2P
4379-RD338053	RD-3-3805-3P
4379-RD338122	RD-3-3812-2P
4379-RD338130	RD-3-3813-0P

MACK	
4379-RD338130P	RD-3-3813-0P
4379-RD338470	RD-3-3847-0P
4379-RD338470P	RD-3-3847-0P
4379-RD339011	RD-3-3901-1P
4379-RD339490	RD-3-3949-0P
4379-RD339550	RD-3-3955-0P
4379-RD339900	RD-3-3990-0P
4379-RD339970	RD-3-3997-0P
4379-RD340560	RD-3-4056-0P
4379-RD340580	RD-3-4058-0P
4379-RD340660	RD-3-4066-0P
4379-RD340720	RD-3-4072-0P
4379-RD340960	RD-3-4096-0P
4379-RD340970	RD-3-4097-0P
4379-RD341432	RD-3-4143-2P
4379-RD342740	RD-3-4274-0P
4379-RD343430	RD-3-4343-0P
4379-RD343440	RD-3-4344-0P
4379-RD344170	RD-3-4417-0P
4379-RD3443-0	77R6200
4379-RD344950	RD-3-4495-0P
4379-RD347840	RD-3-4784-0P
4379-RD348040	78R5310
4379-RD348271	RD-3-4827-1P
4379-RD348291	73R7071
4379-RD349000	71R1252
4379-RD3490024	71R1254
4379-RD350510	RD-3-5051-0P
4379-RD350650	78R5150
4379-RD350720	RD-3-5072-0P
4379-RD351770	RD-3-5177-0P
4379-RD351780	RD-3-5178-0P
4379-RD352770P	RD-3-5277-0P
4379-RD352771	RD-3-5277-1P
4379-RD353100	RD-3-5310-0P
4379-RD353101	RD-3-5310-1P
4379-RD353670	RD-3-5367-0P
4379-RD353900	RD-3-5390-0P
4379-RD353950	RD-3-5395-0P
4379-RD353951	RD-3-5395-1P
4379-RD354480	RD-3-5448-0P
4379-RD355550	RD-3-5555-0P
4379-RD357001	RD-3-5700-1P
4379-RD357861	RD-3-5786-1P
4379-RD358921	RD-3-5892-1P
4379-RD359140	RD-3-5914-0P
4379-RD359140P	RD-3-5914-0P
4379-RD359141	RD-3-5914-1P
4379-RD359285	RD-3-5928-5P
4379-RD359640	RD-3-5964-0P
4379-RD359641	RD-3-5964-1P

MACK	
4379-RD360231	RD-3-6023-1P
4379-RD360231P	RD-3-6023-1P
4379-RD360380	71R3570
4379-RD360600	RD-3-6060-0P
4379-RD360620	RD-3-6062-0P
4379-RD361620	78R5330
4379-RD362640	RD-3-6264-0P
4379-RD364010	RD-3-6401-0P
4379-RD364070	78R5251
4379-RD364080	78R5370
4379-RD365500	RD-3-6550-0P
4379-RD367700	73R5502
4379-RD3677024	73R5504
4379-RD369210	RD-3-6921-0M
4379-RD370430P	RD-3-7043-0P
4379-RD370440P	RD-3-7044-0P
4379-RD370990	78R5390
4379-RD373820	RD-3-7382-0P
4379-RD373821	RD-3-7382-1P
4379-RD373830	RD-3-7383-0P
4379-RD373850	RD-3-7385-0P
4379-RD376460	RD-3-7646-0P
4379-RD378220	71R8310
4379-RD378380	RD-3-7838-0P
4379-RD378381	RD-3-7838-1P
4379-RD378382	72R3010
4379-RD378383	72R3020
4379-RD382260	RD-3-8226-0P
4379-RD384170	RD-3-8417-0P
4379-RD386350	72R7000
4379-RD386570	73R1002
4379-RD387110	RD-3-8711-0P
4379-RD387770	78R5241
4379-RD389890	72R2120
4379-RD389990	RD-3-8999-0P
4379-RD389990P	RD-3-8999-0P
4379-RD390961P	RD-3-9096-1P
4379-RD390970P	RD-3-9097-0P
4379-RD390990P	RD-3-9099-0P
4379-RD391011P	RD-3-9101-1P
4379-RD391420	RD-3-9142-0P
4379-RD391420P	RD-3-9142-0P
4379-RD391570	RD-3-9157-0P
4379-RD393790	71R5600
4379-RD393791	71R5605
4379-RD394881	RD-3-9488-1P
4379-RD394932	RD-3-9493-2P
4379-RD396640	RD-3-9664-0P
4379-RD396640P	RD-3-9664-0P
4379-RD397060P	RD-3-9706-0P
4379-RD41014	RD-4101-4P

MACK	
4379-RD41014P	RD-4101-4P
4379-RD41016	RD-4101-6P
4379-RD41018	RD-4101-8P
4379-RD41231	71R0100
4379-RD41232	71R0200
4379-RD412418	72R7280
4379-RD412420	72R7290
4379-RD412425	RD-4124-25P
4379-RD412438	72R7600
4379-RD412476	72R7700
4379-RD412536	71R2250
4379-RD412548	71R2300
4379-RD412566	71R2400
4379-RD41261	71R8050
4379-RD41301	70R7100
4379-RD41304	RD-4130-4P
4379-RD41511	71R0500
4379-RD41512	71R0550
4379-RD4151-2	71R0550
4379-RD41514	71R0600
4379-RD41516	71R0650
4379-RD41517	71R0700
4379-RD4156108	78R0350
4379-RD41601	74R2106
4379-RD41700P	RD-4170-0P
4379-RD41720	71R2310
4379-RD41761	RD-4176-1M
4379-RD41762	RD-4176-2P
4379-RD41770	70R3206
4379-RD41790	70R3208
4379-RD418024	72R8190
4379-RD418029	72R8200
4379-RD418036	72R8250
4379-RD418046	72R8300
4379-RD418057	72R8360
4379-RD418069	RD-4180-69P
4379-RD418076	72R8400
4379-RD418079	72R8410
4379-RD41810	71R4050
4379-RD41830	73R0152
4379-RD41840	RD-4184-0P
4379-RD41860	70R2301
4379-RD41870	70R2306
4379-RD4188	71R9002
4379-RD41880	71R9002
4379-RD418824	71R9004
4379-RD4191	71R6050
4379-RD41910	71R6050
4379-RD41970	RD-4197-0P
4379-RD41990	RD-4199-0P
4379-RD42190	70R7700

O.E.M. PART NUMBER CROSS REFERENCE

Convert Other Part Numbers to Red Dot Aftermarket Numbers

MACK	
4379-RD42200	74R7220
4379-RD42210	RD-4221-0M
4379-RD42220	RD-4222-0M
4379-RD42251	71R0150
4379-RD42252	71R0300
4379-RD42260	71R2700
4379-RD4226-43	71R2800
4379-RD42570	72R5050
4379-RD42960	70R3256
4379-RD43176	70R7050
4379-RD43221	70R3258
4379-RD433640	70R3406
4379-RD433650	70R3408
4379-RD433723	77R6800
4379-RD43400	72R2300
4379-RD434430	77R6200
4379-RD435080	73R8110
4379-RD435860	77R0350
4379-RD43586-0	77R0350
4379-RD435954	77R8200
4379-RD43595-4	77R8200
4379-RD436460	77R0800
4379-RD43660	70R7150
4379-RD436690	RD-4-3669-0P
4379-RD436820	77R5250
4379-RD436832	77R7900
4379-RD436833	RD-4-3683-3P
4379-RD4370	71R1652
4379-RD43700	71R1652
4379-RD437140	77R5910
4379-RD437220	77R7800
4379-RD437230	77R8100
4379-RD437240	77R0650
4379-RD43724-0	77R0650
4379-RD437272	77R6920
4379-RD437451	77R6925
4379-RD438040	RD-4-3804-0P
4379-RD43874-0	77R0500
4379-RD438741	77R0500
4379-RD438820	RD-4-3882-0P
4379-RD438820P	RD-4-3882-0P
4379-RD438823	RD-4-3882-3P
4379-RD438823P	RD-4-3882-3P
4379-RD438830	RD-4-3883-0P
4379-RD438831	RD-4-3883-1P
4379-RD439160	77R0950
4379-RD439170	77R1100
4379-RD439450	77R0700
4379-RD439900	77R6930
4379-RD440690	77R0100
4379-RD440691	77R0110

MACK	
4379-RD441300	77R0260
4379-RD441442	77R0250
4379-RD44144-2	77R0250
4379-RD441610	77R0900
4379-RD441810	77R0150
4379-RD442190	77R6990
4379-RD442320	77R0560
4379RD442370	RD-4-4237-0P
4379-RD442490	RD-4-4249-0P
4379-RD4427-17	71R3100
4379-RD442724	71R3100
4379-RD4427-24	71R3100
4379-RD442760	77R6965
4379-RD4430	71R2500
4379-RD44300	71R2500
4379-RD443000	77R6945
4379-RD443131	RD-4-4313-1P
4379-RD443600	77R6947
4379-RD443770	77R5260
4379-RD444000	77R0530
4379-RD444031	77R6960
4379-RD444140	77R0670
4379-RD444400	77R0090
4379-RD445291	RD-4-4529-1P
4379-RD445500	77R6935
4379-RD445501	77R6940
4379-RD447130	77R7000
4379-RD447221	RD-4-4722-1P
4379-RD447240	77R0660
4379-RD447280	RD-4-4728-0P
4379-RD447380	77R0620
4379-RD447470	RD-4-4747-0P
4379-RD447470P	RD-4-4747-0P
4379-RD44820	70R8120
4379-RD448871	RD-4-4887-1P
4379-RD449310	77R0665
4379-RD449561	RD-4-4956-1P
4379-RD449571	RD-4-4957-1P
4379-RD449680	77R7100
4379-RD450410	RD-4-5041-0P
4379-RD450450	77R0990
4379-RD451160	77R7020
4379-RD451220	77R0630
4379-RD451461	77R0570
4379-RD45146-1	77R0150
4379-RD452264	77R8301
4379-RD452265	77R8303
4379-RD45270	71R6300
4379-RD452840	RD-4-5284-0P
4379-RD453110	77R1622
4379-RD453120	77R1624

MACK	
4379-RD453550P	RD-4-5355-0P
4379-RD453700	RD-4-5370-0P
4379-RD453701	RD-4-5370-1P
4379-RD453770	77R1280
4379-RD453780	77R1290
4379-RD453790	77R1310
4379-RD454180	77R1300
4379-RD454490	RD-4-5449-0P
4379-RD454620	77R0580
4379-RD454980	77R1604
4379-RD455030	77R1295
4379-RD456580	77R6950
4379-RD456800	77R0850
4379-RD456810	77R5240
4379-RD456820	77R0860
4379-RD456830	77R5245
4379-RD456840	77R1401
4379-RD456850	77R1403
4379-RD456860	77R1405
4379-RD456870	77R1407
4379-RD456880	77R1409
4379-RD456890	77R1411
4379-RD456920	77R1417
4379-RD456930	77R1419
4379-RD456940	77R1421
4379-RD456950	77R6805
4379-RD456960	77R6807
4379-RD457001	77R1632
4379-RD457090	77R1330
4379-RD457630	77R7706
4379-RD457640	77R7708
4379-RD457650	77R7710
4379-RD457660	77R7712
4379-RD457670	77R7714
4379-RD457680	77R7716
4379-RD457690	77R7704
4379-RD457700	77R7702
4379-RD458090	77R5270
4379-RD458110	77R1150
4379-RD459900	77R1502
4379-RD500600	72R1502
4379-RD5006024	72R1504
4379-RD500710	71R0400
4379-RD50071-0	71R0400
4379-RD5100090	71R6415
4379-RD5100110	71R8504
4379-RD5100120	71R8501
4379-RD5100130	71R8506
4379-RD5100140	71R8510
4379-RD5100160	79R1681
4379-RD5100170	79R9681

MACK	
4379-RD5100180	79R1682
4379-RD5100190	79R9682
4379-RD5100200	79R1686
4379-RD5100210	79R9686
4379-RD5100220	79R1688
4379-RD5100290	75R7300
4379-RD5100300	72R3151
4379-RD5100310	72R3156
4379-RD5100510	73R2282
4379-RD5100510P	73R2282
4379-RD5100520	73R2272
4379-RD5100520P	73R2272
4379-RD5100530	73R2262
4379-RD5100530P	73R2262
4379-RD5100560	71R0453
4379-RD5100670	RD-5-10067-0P
4379-RD5100670P	RD-5-10067-0P
4379-RD5100680	73R4322
4379-RD5100700	73R0142
4379-RD5100710	73R0082
4379-RD5100720	73R0642
4379-RD5100730	73R4312
4379-RD5100740	78R5258
4379-RD5100750	78R5256
4379-RD5100760	78R5244
4379-RD5100770	78R5236
4379-RD5100780	78R5252
4379-RD5100790	78R5254
4379-RD5100800	78R5249
4379-RD5100810	78R5257
4379-RD5100820	78R5255
4379-RD5100830	73R8320
4379-RD5100850	70R5057
4379-RD5100960	71R6185
4379-RD5100970	71R6245
4379-RD5101790	RD-5-10179-0P
4379-RD5101980	70R5026
4379-RD5101990	70R5024
4379-RD5102000	70R5022
4379-RD5102060	79R4650
4379-RD5102070	79R4655
4379-RD5102090	79R1150
4379-RD5102320	75R0274
4379-RD5102360	72R3135
4379-RD5102580	72R7100
4379-RD5102590	75R84112
4379-RD5102600	75R84594
4379-RD5102610	75R84132
4379-RD5102620	75R84162
4379-RD5102630	75R84172
4379-RD5102640	75R84182

CROSS
REFERENCE

O.E.M. PART NUMBER CROSS REFERENCE

Convert Other Part Numbers to Red Dot Aftermarket Numbers

CROSS
REFERENCE

MACK	
4379-RD5102650	75R84192
4379-RD5102660	75R84212
4379-RD5102670	75R84232
4379-RD5102680	75R84252
4379-RD5102690	75R84262
4379-RD5102730	75R84292
4379-RD5102740	75R84312
4379-RD5102750	75R84352
4379-RD5102760	75R84362
4379-RD5102770	75R84372
4379-RD5102780	75R84382
4379-RD5102810	75R84432
4379-RD5102820	75R84452
4379-RD5102830	75R83112
4379-RD5102840	75R83132
4379-RD5102850	75R84472
4379-RD5102860	75R84482
4379-RD5102870	75R84492
4379-RD5102880	75R83152
4379-RD5102900	75R84512
4379-RD5102910	75R84532
4379-RD5102920	75R84552
4379-RD5102930	75R83172
4379-RD5102940	75R84562
4379-RD5102950	75R84572
4379-RD5102960	75R84582
4379-RD5102970	75R84612
4379-RD5102980	76R7503
4379-RD5103010	75R4782
4379-RD5103020	75R4792
4379-RD5103030	75R84152
4379-RD5103060	71R8415
4379-RD5103070	75R82102
4379-RD5103080	75R82104
4379-RD5103090	75R82112
4379-RD5103100	75R82132
4379-RD5103110	75R8919
4379-RD5103120	75R8907
4379-RD5103140	75R8909
4379-RD5103150	75R8910
4379-RD5103160	75R8917
4379-RD5103190	75R85332
4379-RD5103210	75R85632
4379-RD5103220	75R85734
4379-RD5103240	75R85832
4379-RD5103250	75R85932
4379-RD5103260	75R86134
4379-RD5103270	75R86152
4379-RD5103280	75R86162
4379-RD5103290	75R86172
4379-RD5103330	71R8440

MACK	
4379-RD5103340	71R8350
4379-RD5103350	71R3220
4379-RD5103360	73R0042
4379-RD5103370	73R0412
4379-RD5103380	70R5028
4379-RD5103390	70R5029
4379-RD5103410	71R1457
4379-RD5103420	71R4025
4379-RD5103430	71R8325
4379-RD5103440	72R6520
4379-RD5103450	72R6530
4379-RD5103460	73R7130
4379-RD5103480	74R3064
4379-RD5103490	71R6425
4379-RD5103520	71R6565
4379-RD5103550	75R4722
4379-RD5103570	75R4742
4379-RD5103580	75R4752
4379-RD5103590	75R4762
4379-RD5103600	75R1512
4379-RD5103610	75R1432
4379-RD5103620	75R1522
4379-RD5103630	75R0502
4379-RD5103640	75R0512
4379-RD5103650	75R0682
4379-RD5103660	75R0522
4379-RD5103670	75R0422
4379-RD5103680	75R1532
4379-RD5103690	75R1542
4379-RD5103700	75R3502
4379-RD5103710	75R8906
4379-RD5103720	75R8916
4379-RD5103730	75R8918
4379-RD5103770	79R0330
4379-RD5103780	73R5582
4379-RD5103790	73R0012
4379-RD5103800	73R2202
4379-RD5103810	73R2222
4379-RD5103820	73R2242
4379-RD5103830	73R2112
4379-RD5103840	73R5592
4379-RD5103850	73R2122
4379-RD5103860	73R2132
4379-RD5103870	73R2142
4379-RD5103880	73R2152
4379-RD5103890	73R0372
4379-RD5103900	73R0212
4379-RD5103910	73R0092
4379-RD5103920	73R0232
4379-RD5103930	73R3022
4379-RD5103940	73R0002

MACK	
4379-RD5103950	73R3032
4379-RD5103960	75R1352
4379-RD5103970	75R1342
4379-RD5103980	75R0032
4379-RD5103990	75R0052
4379-RD5104000	75R0242
4379-RD5104010	75R4702
4379-RD5104180	72R2255
4379-RD5104260	75R86182
4379-RD5104270	75R86194
4379-RD5104280	75R85732
4379-RD5104290	75R86132
4379-RD5104310	75R86092
4379-RD5104340	74R2002
4379-RD5104350	73R6383
4379-RD5104360	71R8435
4379-RD5104370	71R6247
4379-RD5104380	71R6249
4379-RD5104390	71R6251
4379-RD5104400	71R6253
4379-RD5104410	71R1463
4379-RD5104420	71R6093
4379-RD5104430	71R6255
4379-RD5104440	71R6257
4379-RD5104450	71R8220
4379-RD5104470	71R8405
4379-RD5104490	71R6560
4379-RD5104500	74R3140
4379-RD5104510	74R5055
4379-RD5104520	74R5057
4379-RD5104530	74R5063
4379-RD5104540	74R5065
4379-RD5104550	74R5067
4379-RD5104560	74R5069
4379-RD5104580	74R5073
4379-RD5104590	74R5075
4379-RD5104600	74R5077
4379-RD5104610	74R5079
4379-RD5104620	74R5081
4379-RD5104630	74R5083
4379-RD5104640	74R5085
4379-RD5104650	74R5087
4379-RD5104660	74R5089
4379-RD5104670	74R5091
4379-RD5104680	71R6570
4379-RD5104700	71R6420
4379-RD5104710	71R6430
4379-RD5104730	71R6455
4379-RD5104780	72R2350
4379-RD5104790	79R1720
4379-RD5104800	79R4553

MACK	
4379-RD5104810	79R4555
4379-RD5104820	79R3580
4379-RD5104830	79R3585
4379-RD5104840	79R3586
4379-RD5104850	79R3587
4379-RD5104860	79R5032
4379-RD5104870	79R5033
4379-RD5104890	73R3042
4379-RD5104900	73R9082
4379-RD5104910	73R0032
4379-RD51049124	73R0034
4379-RD5104920	75R8722
4379-RD5104930	75R82142
4379-RD5104940	75R8732
4379-RD5104950	75R8742
4379-RD5104960	75R8752
4379-RD5104970	75R8762
4379-RD5105010	73R3062
4379-RD5105040	78R8456SP
4379-RD510504600	78R8456
4379-RD510504600P	78R8458
4379-RD5105050	78R8458SP
4379-RD510505600	78R8458
4379-RD5105060	78R8451SP
4379-RD510506600	78R8451
4379-RD510507600	78R8452
4379-RD5105081	70R8606
4379-RD5105091	70R8706
4379-RD5105101	70R8608
4379-RD5105111	70R8708
4379-RD5105121	70R8601
4379-RD5105131	70R8701
4379-RD5105151	70R8602
4379-RD5105161	70R8646
4379-RD5105171	70R8648
4379-RD5105181	70R8641
4379-RD5105191	70R8642
4379-RD5105201	70R8696
4379-RD5105211	70R8796
4379-RD5105221	70R8698
4379-RD5105231	70R8798
4379-RD5105241	70R8691
4379-RD5105251	70R8791
4379-RD5105260	75R0072
4379-RD5105271	70R8692
4379-RD5105281	70R8091
4379-RD5105291	70R8761
4379-RD5105301	70R8092
4379-RD5105311	70R8306
4379-RD5105321	70R8716
4379-RD5105331	70R8308

O.E.M. PART NUMBER CROSS REFERENCE

Convert Other Part Numbers to Red Dot Aftermarket Numbers

MACK	
4379-RD5105341	70R8301
4379-RD5105351	70R8711
4379-RD5105361	70R8302
4379-RD5105371	70R8006
4379-RD5105381	70R8786
4379-RD5105391	70R8008
4379-RD5105401	70R8788
4379-RD5105411	70R8781
4379-RD5105421	70R8002
4379-RD5105431	70R8001
4379-RD5105440	75R0082
4379-RD5105450	75R0092
4379-RD5105460	71R8385
4379-RD510546-0	71R8385
4379-RD5105471	70R8556
4379-RD5105481	70R8558
4379-RD5105491	70R8551
4379-RD5105501	70R8511
4379-RD5105541	70R8348
4379-RD5105551	70R8346
4379-RD5105561	70R8341
4379-RD5105581	70R8888
4379-RD5105590	70R8881
4379-RD5105601	70R8086
4379-RD5105611	70R8088
4379-RD5105621	70R8071
4379-RD5105631	70R8591
4379-RD5105641	70R8201
4379-RD5105651	70R8621
4379-RD5105661	70R8208
4379-RD5105671	70R8996
4379-RD5105681	70R8998
4379-RD5105691	70R8891
4379-RD5105701	70R8066
4379-RD5105711	70R8068
4379-RD5105721	70R8061
4379-RD5105730	RD-5-10573-0P
4379-RD5105731	70R8062
4379-RD5105741	70R8681
4379-RD5105751	70R8688
4379-RD5105761	70R8398
4379-RD5105771	70R8598
4379-RD5105781	70R8296
4379-RD5105791	70R8298
4379-RD5105801	70R8291
4379-RD5105820	74R2607
4379-RD5105830	74R2667
4379-RD5105840	74R3147
4379-RD5105890	74R3126
4379-RD5105891P	74R3126
4379-RD5105920	71R6480

MACK	
4379-RD5106900	70R8246
4379-RD5106910	RD-5-10691-0P
4379-RD5106911	70R8248
4379-RD5106921	70R8241
4379-RD5106930	70R8242
4379-RD5106991	70R8216
4379-RD5107001	70R8218
4379-RD5107011	70R8211
4379-RD5107021	70R8212
4379-RD5107030	RD-5-10703-0P
4379-RD5107031	70R8292
4379-RD5107041	70R8271
4379-RD5107051	70R8272
4379-RD5107061	70R8276
4379-RD5107071	70R8278
4379-RD5107081	70R8261
4379-RD5107090	70R8806
4379-RD5107100	70R8808
4379-RD5107110	70R8801
4379-RD5107120	70R8802
4379-RD5107130	70R8826
4379-RD5107140	70R8828
4379-RD5107150	70R8821
4379-RD5107160	70R8822
4379-RD5107170	79R8920
4379-RD5107180	79R8915
4379-RD5107191	70R8096
4379-RD5107201	70R8098
4379-RD5107211	70R8198
4379-RD5107220	75R0252
4379-RD5107230	75R0262
4379-RD5107240	75R1212
4379-RD5107250	75R8454
4379-RD5107270	75R0062
4379-RD5107280	75R8702
4379-RD5107290	74R3313
4379-RD5107340	71R8090
4379-RD5107350	74R3156
4379-RD5107360	71R3155
4379-RD5107370	75R84632
4379-RD5107380	75R84622
4379-RD5107390	79R8930
4379-RD5107400	79R8931
4379-RD5107410	74R3319
4379-RD5107420	74R1406
4379-RD5107430	74R1426
4379-RD5107440	74R1436
4379-RD5107450	78R5420
4379-RD5107451P	78R5420M
4379-RD5107530	73R6253
4379-RD5107570	71R8507

MACK	
4379-RD5107580	75R1872
4379-RD5107590	75R1832
4379-RD5107600	75R1842
4379-RD5107610	75R1852
4379-RD5107620	75R1862
4379-RD5107630	71R6402
4379-RD5107650	71R6406
4379-RD5107660	71R6408
4379-RD5107670	71R6412
4379-RD5107680	71R6414
4379-RD5107690	71R6416
4379-RD5107710	71R6561
4379-RD5107720	71R6563
4379-RD5107730	78R5306M
4379-RD5107740	78R5302
4379-RD5107750	78R5308
4379-RD5107760	78R5304
4379-RD5107770	74R2616
4379-RD5107780	71R6418
4379-RD5107790	71R6422
4379-RD5107800	71R6448
4379-RD5107810	71R6451
4379-RD5107820	71R6452
4379-RD5107830	71R6424
4379-RD5107840	71R6426
4379-RD5107860	71R6432
4379-RD5107870	71R6434
4379-RD5107880	71R6454
4379-RD5107900	71R6456
4379-RD5108260	75R7265
4379-RD5108500	71R6458
4379-RD5108510	71R6460
4379-RD5108520	71R6438
4379-RD5108540	71R6444
4379-RD5108550	71R6566
4379-RD5108580	71R6580
4379-RD5108590	71R6573
4379-RD5108600	71R6576
4379-RD5108610	71R6578
4379-RD5108800	75R89305
4379-RD5108810	75R89310
4379-RD5108820	75R89315
4379-RD5108840	75R89325
4379-RD5108850	75R89302
4379-RD5108860	75R89312
4379-RD5108870	75R89322
4379-RD5108880	75R89334
4379-RD5108890	75R89344
4379-RD5108900	75R89352
4379-RD5108910	75R89362
4379-RD5108920	75R89354

MACK	
4379-RD5108930	75R89372
4379-RD5108940	75R89382
4379-RD5108950	75R89374
4379-RD5108960	75R89384
4379-RD5108970	75R89392
4379-RD5108980	75R89414
4379-RD5108990	75R89422
4379-RD5109000	75R89424
4379-RD5109030	71R8451
4379-RD5109050	73R0442
4379-RD5109270	74R5061
4379-RD5109340	71R1163
4379-RD5109400	74R3315
4379-RD5109410	74R3321
4379-RD5109440	74R3327
4379-RD5110020	75R84662
4379-RD5110030	75R89364
4379-RD5110040	75R89332
4379-RD5110050	75R89432
4379-RD5110060	75R89462
4379-RD5110070P	75R89327
4379-RD5110080	75R89412
4379-RD5110090	75R89474
4379-RD5110100	75R89484
4379-RD5110110	75R89314
4379-RD5110120	75R89292
4379-RD5110130	75R89394
4379-RD5110150	70R8506
4379-RD5110150M	70R8506
4379-RD5110160	70R8508
4379-RD5110170	70R8510
4379-RD5110170M	70R8510
4379-RD5110180	70R8512
4379-RD5110220	79R3584
4379-RD5110240	79R3583
4379-RD5110430	79R5901
4379-RD5110470	RD-5-11047-0P
4379-RD5110490P	75R8932
4379-RD5110820	79R0103
4379-RD5110870	79R0120
4379-RD5110940	79R3175
4379-RD5110950	79R3173
4379-RD5110960	79R3171
4379-RD5110970	79R3176
4379-RD5110980	79R3174
4379-RD5110990	79R3172
4379-RD5111020	79R3178
4379-RD5111030	79R3179
4379-RD5111040	79R3120
4379-RD5111130	79R1255
4379-RD5111170	79R1730

CROSS
REFERENCE

O.E.M. PART NUMBER CROSS REFERENCE

Convert Other Part Numbers to Red Dot Aftermarket Numbers

CROSS
REFERENCE

MACK	
4379-RD511180P	79R4040
4379-RD5111230	79R4007
4379-RD5111380	79R4008
4379-RD5111390	79R4020
4379-RD5111400	79R4030
4379-RD5111480	79R4006
4379-RD5111530	79R0180
4379-RD5111590	75R84332
4379-RD5111600	75R84462
4379-RD5111610	75R84114
4379-RD5111690	71R7077
4379-RD5112170	75R7312
4379-RD5112180	75R7322
4379-RD5112200	75R84592
4379-RD5112230	75R5556
4379-RD5112240	78R5239
4379-RD5112250	79R1560
4379-RD5112270	79R1536
4379-RD5112340	75R81104
4379-RD5112350	75R81114
4379-RD5112360	75R81134
4379-RD5112370	75R81152
4379-RD5112380	75R81162
4379-RD5112390	75R81172
4379-RD5112400	75R81184
4379-RD5112410	75R81192
4379-RD5112420	75R81202
4379-RD5112430	75R81212
4379-RD5112440	75R81232
4379-RD5112450	75R81252
4379-RD5112470	75R81262
4379-RD5112480	75R81274
4379-RD5112490	75R81282
4379-RD5112510	75R81302
4379-RD5112520	75R81312
4379-RD5112530	75R81334
4379-RD5112540	75R81352
4379-RD5112560	75R81362
4379-RD5112570	75R81372
4379-RD5112580	75R81382
4379-RD5112590	75R81392
4379-RD5112600	75R81402
4379-RD5113100	75R81412
4379-RD5113110	75R81432
4379-RD5113130	75R81452
4379-RD5113140	79R0112
4379-RD5113150	75R81462
4379-RD5113160	75R81472
4379-RD5113220	75R81482
4379-RD5113240	75R81492
4379-RD5113250	75R5555

MACK	
4379-RD5113260	75R81502
4379-RD5113270	79R4710
4379-RD5113280	75R81512
4379-RD5113300	75R81532
4379-RD5113310	75R81552
4379-RD5113340	75R81562
4379-RD5113360	75R81572
4379-RD5113370	75R81582
4379-RD5113380	75R81592
4379-RD5113390	75R81602
4379-RD5113400	75R81612
4379-RD5113430	75R81652
4379-RD5113450	75R81672
4379-RD5113460	75R81682
4379-RD5113470	75R81692
4379-RD5113480	75R81702
4379-RD5113490	75R81712
4379-RD5113500	75R81732
4379-RD5113510	75R81754
4379-RD5113560	75R81762
4379-RD5113720	79R8916
4379-RD5113731P	75R8462Q
4379-RD5113810	71R6571
4379-RD5114660	73R3002
4379-RD5115270	70R5031
4379-RD5115280	70R5032
4379-RD5115290	70R5033
4379-RD5115300	70R5034
4379-RD5115310P	74R1427
4379-RD5115330P	74R3107
4379-RD5115340	74R3077
4379-RD5115350	74R3324
4379-RD5115361	70R85206
4379-RD5115371	70R85201
4379-RD5115381	70R85202
4379-RD5115391	70R85212
4379-RD5115401	70R85222
4379-RD5115411	70R85301
4379-RD5115421	70R85311
4379-RD5115431	70R85326
4379-RD5115441	70R85321
4379-RD5115451	70R85336
4379-RD5115580	RD-5-11558-0P
4379-RD5115600	72R3149
4379-RD5115680	79R4597
4379-RD5115741	70R8256
4379-RD5115751	70R8258
4379-RD5115761	70R8251
4379-RD5115790	73R3072
4379-RD5118291	75R75218
4379-RD5118301	75R75212

MACK	
4379-RD5118311	75R75228
4379-RD5118321	75R75222
4379-RD5118331	75R75208
4379-RD5118341	75R75202
4379-RD5118360	78R5430
4379-RD5118381	70R8288
4379-RD5118391	70R8281
4379-RD5118401	70R8282
4379-RD5118620	71R3577
4379-RD5118641	78R1027
4379-RD5121500	71R4501
4379-RD5121512	71R4511
4379-RD5123080	70R4005S
4379-RD5123160	79R3593
4379-RD5123300	75R81622
4379-RD5123320	75R81632
4379-RD5124880	77R6957
4379-RD5125200	71R8453
4379-RD5125210	71R8455
4379-RD5125220	71R8457
4379-RD5125680P	75R8772Q
4379-RD5126230	74R5097
4379-RD5127420P	RD-5-12742-0P
4379-RD51274224P	RD-5-12742-24P
4379-RD5132151P	75R89582Q
4379-RD5132261P	75R89602Q
4379-RD51381-0	76R6950
4379-RD53302-1	71R0470
4379-RD53550120	78R0070
4379-RD53569-1	74R1906
4379-RD535930	74R1756
4379-RD535931	74R1706
4379-RD53593-1	74R1706
4379-RD53595-0	71R7500
4379-RD535960	72R3050
4379-RD535970	72R2250
4379-RD535990	71R0250
4379-RD536460	71R1150
4379-RD53646-0	71R1150
4379-RD536470	71R1450
4379-RD53647-0	71R1450
4379-RD536530	72R9040
4379-RD536570	78R0050
4379-RD536860	70R7550
4379-RD536861	70R7750
4379-RD536900	73R0502
4379-RD536930	75R5608
4379-RD536931	75R5618
4379-RD536940	75R5601
4379-RD536941	75R5611
4379-RD536980	75R5520

MACK	
4379-RD537010	72R2500
4379-RD537020	72R2600
4379-RD537090	72R2100
4379-RD537130	70R1396
4379-RD537140	70R1398
4379-RD537150	70R1391
4379-RD537160	70R1496
4379-RD537170	70R1498
4379-RD537180	70R1491
4379-RD537190	70R1306
4379-RD537200	70R1308
4379-RD537210	70R1301
4379-RD537220	70R1406
4379-RD537230	70R1408
4379-RD537240	70R1401
4379-RD537250	78R0406
4379-RD537260	78R0408
4379-RD537270	78R0401
4379-RD537280	70R5056
4379-RD537290	70R5058
4379-RD537300M	70R5051
4379-RD537461	70R7500
4379-RD537480	71R0010
4379-RD5375124	73R0454
4379-RD53753-0	RD-5-4387-0P
4379-RD5375712	73R4202
4379-RD5375724	73R4204
4379-RD537580	72R2550
4379-RD537640	RD-5-3764-0M
4379-RD537723	RD-5-3772-3P
4379-RD537790	71R1165
4379-RD537800	73R4102
4379-RD5378024	73R4104
4379-RD537810	RD-5-3781-0P
4379-RD537810P	RD-5-3781-0P
4379-RD537811	RD-5-3781-1P
4379-RD537898	78R1605
4379-RD537899	78R1805
4379-RD537910	70R5701
4379-RD538001	73R6251
4379-RD538222	RD-5-3822-2P
4379-RD538241	71R8100
4379-RD538270	72R0200
4379-RD538271	72R0210
4379-RD538272	72R0220
4379-RD538274	72R0240
4379-RD53827-4	72R0240
4379-RD538276	72R0260
4379-RD538277	RD-5-3827-7P
4379-RD538278	RD-5-3827-8P
4379-RD538278P	RD-5-3827-8P

O.E.M. PART NUMBER CROSS REFERENCE

Convert Other Part Numbers to Red Dot Aftermarket Numbers

MACK	
4379-RD538430	74R2556
4379-RD538460	72R3200
4379-RD538490	RD-5-3849-0P
4379-RD538551	RD-5-3855-1P
4379-RD538551P	RD-5-3855-1P
4379-RD538604	RD-5-3860-4P
4379-RD538605	RD-5-3860-5P
4379-RD538610	70R5200
4379-RD538760	RD-5-3876-0P
4379-RD538761	70R7200
4379-RD538832	RD-5-3883-2P
4379-RD538942	RD-5-3894-2P
4379-RD539050	78R5000
4379-RD539230	71R0050
4379-RD53927108	78R0400
4379-RD539282	RD-5-3928-2P
4379-RD53930108	78R0300
4379-RD539331	73R7101
4379-RD539400	75R5550
4379-RD539410	75R5500
4379-RD539880	71R0350
4379-RD540310	RD-5-4031-0P
4379-RD5403510	70R5550
4379-RD5403516	70R5600
4379-RD5403552	70R5650
4379-RD54058360	79R4400
4379-RD540600	RD-5-4060-0M
4379-RD540621500	RD-5-4062-1-.500M
4379-RD540660	RD-5-4066-0P
4379-RD540860	72R9045
4379-RD540890	RD-5-4089-0M
4379-RD540890M	RD-5-4089-0M
4379-RD540970	RD-5-4097-0P
4379-RD540970P	RD-5-4097-0P
4379-RD541870	78R0100
4379-RD541950	RD-5-4195-0P
4379-RD542160	71R1900
4379-RD5423324	73R4504
4379-RD542530	RD-5-4253-0P
4379-RD542830	71R0040
4379-RD542840	RD-5-4284-0P
4379-RD542850	RD-5-4285-0P
4379-RD542870	71R1654
4379-RD542880	78R5003
4379-RD542960	73R9202
4379-RD542970	70R8400
4379-RD543020	71R4030
4379-RD54302-0	71R4030
4379-RD543870	RD-5-4387-0P
4379-RD544000	70R5770
4379-RD544080	71R1702

MACK	
4379-RD544170	71R1704
4379-RD544500	71R4035
4379-RD544510	72R2200
4379-RD544520	72R2150
4379-RD544710	70R7250
4379-RD544750	72R0050
4379-RD5447612	70R5565
4379-RD54478-0	72R6420
4379-RD544870	RD-5-4487-0P
4379-RD544970	70R8420
4379-RD545270	70R2201
4379-RD545280	70R2206
4379-RD5453124	71R3200
4379-RD54531-24	71R2200
4379-RD545500	73R0102
4379-RD5455024	73R0104
4379-RD545750	73R9052
4379-RD5457524	73R9054
4379-RD545830	71R7550
4379-RD545850	71R7500
4379-RD54585-0	71R7500
4379-RD546110	RD-5-4611-0P
4379-RD546110P	RD-5-4611-0P
4379-RD546200	71R7600
4379-RD546241	RD-5-4624-1P
4379-RD546241P	RD-5-4624-1P
4379-RD546250	71R7650
4379-RD546261	RD-5-4626-1P
4379-RD546261P	RD-5-4626-1P
4379-RD546320	74R1956
4379-RD54632-0	74R1956
4379-RD546321	74R1906
4379-RD546360	RD-5-4636-0P
4379-RD546400	71R7050
4379-RD546460	71R7000
4379-RD54646-0	71R7000
4379-RD546590	72R9010
4379-RD546650	70R5706
4379-RD546660	70R5708
4379-RD546800BLK	78R0040
4379-RD546800BLKP	78R0040
4379-RD546800BLU	RD-5-4680-0-BLUP
4379-RD546800BLUP	RD-5-4680-0-BLUP
4379-RD546800GRN	RD-5-4680-0-GRNP
4379-RD546800GRNP	RD-5-4680-0-GRNP
4379-RD546800RED	RD-5-4680-0-REDP
4379-RD546800REDP	RD-5-4680-0-REDP
4379-RD546800WHT	78R0030
4379-RD546800WHTP	78R0030
4379-RD546930P	RD-5-4693-0P

MACK	
4379-RD54694-0	71R0450
4379-RD546941	71R0450
4379-RD54694-1	71R0450
4379-RD547090	70R8500
4379-RD547180	RD-5-4718-0P
4379-RD547210	72R0610
4379-RD547221	RD-5-4722-1P
4379-RD547221P	RD-5-4722-1P
4379-RD547222	RD-5-4722-2P
4379-RD547270	74R2586
4379-RD547271	74R2596
4379-RD547400	72R0100
4379-RD547430	RD-5-4743-0P
4379-RD547470	72R0500
4379-RD547560	72R9030
4379-RD547760	RD-5-4776-0P
4379-RD547761	RD-5-4776-1P
4379-RD54800-0	72R6400
4379-RD54800-2	RD-5-8804-1P
4379-RD548130	70R3590
4379-RD5482511	RD-5-4825-11P
4379-RD5482515	RD-5-4825-15P
4379-RD5482516P	RD-5-4825-16P
4379-RD5482519	RD-5-4825-19P
4379-RD5482523	RD-5-4825-23P
4379-RD5482724	73R0404
4379-RD548320	70R3800
4379-RD548330	71R6030
4379-RD548340	74R3306
4379-RD549030	70R3500
4379-RD549040	70R3550
4379-RD549050	70R5000
4379-RD549080	71R1200
4379-RD549090	71R2100
4379-RD549110	71R2600
4379-RD549120	71R6100
4379-RD549170	71R2800
4379-RD549190	71R8500
4379-RD549230	72R5040
4379-RD549270	73R0702
4379-RD549320	73R1052
4379-RD549370	73R2102
4379-RD549470	74R0450
4379-RD549500	74R0906
4379-RD549540	74R2406
4379-RD549550	74R2706
4379-RD549590	74R3450
4379-RD549610	74R5050
4379-RD549620	74R5600
4379-RD549650	75R0152
4379-RD549660	75R0302

MACK	
4379-RD549670	75R0452
4379-RD549721	75R1202
4379-RD549750	75R1652
4379-RD549760	75R1802
4379-RD549800	75R2402
4379-RD549810	75R2552
4379-RD549820	75R2702
4379-RD549830	75R2852
4379-RD549840	75R3002
4379-RD549870	75R3452
4379-RD549880	75R3602
4379-RD549910	75R4052
4379-RD549930	75R4352
4379-RD549940	75R4502
4379-RD549950	75R4652
4379-RD549970	75R5700
4379-RD550000	75R8102
4379-RD550060	78R0456SP
4379-RD55006600	78R0456
4379-RD550080	78R0458SP
4379-RD55008600	78R0458
4379-RD550100	78R0451SP
4379-RD55010600	78R0451
4379-RD550120	78R0452SP
4379-RD55012600	78R0452
4379-RD550141	78R1505
4379-RD550153	78R1005
4379-RD550154	78R1025
4379-RD550271	71R1802
4379-RD550310	75R6000
4379-RD550320	75R6010
4379-RD550491	73R4422
4379-RD550492	73R4424
4379-RD550722	RD-5-5072-2P
4379-RD551190	72R5060
4379-RD551200	73R0512
4379-RD5512024	73R0514
4379-RD551210	73R4252
4379-RD551211	73R4262
4379-RD551212	73R4264
4379-RD5512124	73R4254
4379-RD55122108	78R0200
4379-RD55123108	78R0250
4379-RD551260	75R9500
4379-RD55138-0	72R6420
4379-RD551440	75R3454
4379-RD551470	78R5100
4379-RD551471	78R5110
4379-RD551590	75R9000
4379-RD551600	75R9010
4379-RD551650	75R9060

CROSS REFERENCE

O.E.M. PART NUMBER CROSS REFERENCE

Convert Other Part Numbers to Red Dot Aftermarket Numbers

CROSS REFERENCE

MACK	
4379-RD551690	75R9100
4379-RD551780	75R9180
4379-RD551830	75R9530
4379-RD551840	75R9540
4379-RD551900	73R4162
4379-RD551910	72R5070
4379-RD551920	72R5500
4379-RD551930	72R5600
4379-RD551940	71R1210
4379-RD551950	75R5628
4379-RD551960	75R5621
4379-RD551970	75R5658
4379-RD551980	75R5651
4379-RD551990	75R8282
4379-RD552000	75R8222
4379-RD5520024	75R8224
4379-RD552150	72R5080
4379-RD552180	RD-5-5218-0M
4379-RD552220	72R3111
4379-RD552230	72R3110
4379-RD552231	72R3100
4379-RD552232	RD-5-5223-2P
4379-RD552300	73R0522
4379-RD552340	RD-5-5234-0M
4379-RD552560	70R5718
4379-RD552630	73R6230
4379-RD552692	73R0622
4379-RD55269-2	73R0622
4379-RD5526924	RD-5-5269-24P
4379-RD553000	72R5200
4379-RD553001	72R5210
4379-RD55300-1	72R5210
4379-RD55302-0	71R0470
4379-RD553021	71R0470
4379-RD55308-0	71R1620
4379-RD553490	RD-5-5349-0P
4379-RD553520	RD-5-5352-0P
4379-RD553740	RD-5-5374-0P
4379-RD553810	RD-5-5381-0M
4379-RD55382-0	71R3100
4379-RD553830	RD-5-5383-0P
4379-RD553960	75R5718
4379-RD553970	75R5711
4379-RD554000	71R0260
4379-RD554010	75R5540
4379-RD554030	77R9000
4379-RD554031	77R9010
4379-RD554032	77R9005
4379-RD554033	77R9015
4379-RD554062	78R1070
4379-RD554144	72R1200

MACK	
4379-RD55414-4	72R1200
4379-RD554230	RD-5-5423-0P
4379-RD554240	RD-5-5424-0P
4379-RD554240P	RD-5-5424-0P
4379-RD554241	72R1300
4379-RD554280	78R5400
4379-RD554310	78R5200
4379-RD554320	78R5210
4379-RD554340	RD-5-5434-0P
4379-RD554340P	RD-5-5434-0P
4379-RD55435-0	73R0532
4379-RD5543524	RD-5-5435-24P
4379-RD554430	75R8212
4379-RD554500	RD-5-5450-0P
4379-RD554520	RD-5-5452-0P
4379-RD554580	RD-5-5458-0P
4379-RD554760	72R2000
4379-RD554860	75R0202
4379-RD554870	75R0204
4379-RD554880	75R1404
4379-RD554890	75R1402
4379-RD554950	RD-5-5495-0P
4379-RD554951	72R5260
4379-RD554952	72R5270
4379-RD555020	RD-5-5502-0M
4379-RD555020M	RD-5-5502-0M
4379-RD5550533	RD-5-5505-33P
4379-RD555056250	RD-5-5505-62.50P
4379-RD555056250P	RD-5-5505-62.50P
4379-RD5550566	RD-5-5505-66P
4379-RD55505-66	RD-5-5505-66P
4379-RD555100	RD-5-5510-0P
4379-RD555120	73R0912
4379-RD55512-0	73R0912
4379-RD555200	72R2130
4379-RD555250	70R7110
4379-RD555340	RD-5-5534-0P
4379-RD555380	72R0070
4379-RD555520	72R2140
4379-RD555660	75R9670
4379-RD555710	74R1806
4379-RD555720	74R1856
4379-RD555740	75R0042
4379-RD555750	75R8292
4379-RD555830	74R2606
4379-RD555880	74R3056
4379-RD555890	74R3066
4379-RD556010	73R6370
4379-RD556140	73R4062
4379-RD55614-0	73R4062
4379-RD556200	79R3000

MACK	
4379-RD556260	75R8214
4379-RD556270	75R8232
4379-RD556280	75R8234
4379-RD556340	73R0922
4379-RD55634-0	73R0922
4379-RD556560	73R7000
4379-RD556574	RD-5-5657-4P
4379-RD55667-66	72R8315
4379-RD556760	RD-5-5676-0P
4379-RD556760P	RD-5-5676-0P
4379-RD556780M	RD-5-5678-0M
4379-RD556780P	RD-5-5678-0M
4379-RD556840	75R8342
4379-RD556960	75R8272
4379-RD557210	72R0600
4379-RD557211	72R0190
4379-RD557510	75R5005
4379-RD557520	75R5102
4379-RD557535250	RD-5-5753-52.50P
4379-RD5575365	RD-5-5753-65P
4379-RD557540	75R5104
4379-RD557845	72R1210
4379-RD55784-5	72R1210
4379-RD55791600GRN	78R0063
4379-RD55791600RED	78R0065
4379-RD55791600WHT	78R0060
4379-RD557940	75R5006
4379-RD557960	73R9062
4379-RD5579624	73R9064
4379-RD558370	73R4602
4379-RD558590	79R4700
4379-RD558620	71R8080
4379-RD55862-0	71R8080
4379-RD558730	71R6070
4379-RD558740	71R1300
4379-RD558750	75R8502
4379-RD558760	75R8512
4379-RD558770	71R6060
4379-RD558870	73R9072
4379-RD559010	72R9020
4379-RD559090	73R0022
4379-RD559160	79R4550
4379-RD559270	RD-5-5927-0M
4379-RD559280	71R4040
4379-RD559370	78R5300
4379-RD559380	78R0090
4379-RD559540	74R3506
4379-RD559550	74R3516
4379-RD559650	RD-5-5965-0P
4379-RD559730	RD-5-5973-0P
4379-RD55976-0	71R7050

MACK	
4379-RD55976-1	71R7050
4379-RD55977-0	71R7550
4379-RD55979-0	74R1856
4379-RD559970	75R9730
4379-RD560170	72R3000
4379-RD560281	72R1310
4379-RD560283	RD-5-6028-3P
4379-RD560283P	RD-5-6028-3P
4379-RD560284	RD-5-6028-4P
4379-RD560380	75R8352
4379-RD56038-0	75R8352
4379-RD560513	RD-5-6051-3P
4379-RD560520	RD-5-6052-0P
4379-RD560520P	RD-5-6052-0P
4379-RD560521	RD-5-6052-1P
4379-RD560521P	RD-5-6052-1P
4379-RD560530	RD-5-6053-0P
4379-RD560620	70R1506
4379-RD560630	70R1508
4379-RD560640	70R1501
4379-RD560650	70R1502
4379-RD560660	70R1596
4379-RD560670	70R1598
4379-RD560680	70R1591
4379-RD560690	70R1592
4379-RD560710	73R0364
4379-RD560750	74R4006
4379-RD560760	74R4116
4379-RD560770	74R4016
4379-RD560980	70R5100
4379-RD560990	71R8210
4379-RD561180	RD-5-6118-0P
4379-RD561240	78R5320
4379-RD561280	RD-5-6128-0P
4379-RD561300	RD-5-6130-0P
4379-RD561310	RD-5-6131-0P
4379-RD561320	RD-5-6132-0P
4379-RD56132-0	74R2596
4379-RD561640	75R8262
4379-RD561700	75R9780
4379-RD561710	75R9790
4379-RD562050	RD-5-6205-0P
4379-RD562050P	RD-5-6205-0P
4379-RD562110	RD-5-6211-0P
4379-RD562200	72R2105
4379-RD562240	75R9220
4379-RD562320	75R9890
4379-RD562330	75R9900
4379-RD562340	75R9910
4379-RD562390	RD-5-6239-0P
4379-RD562400	78R5340

O.E.M. PART NUMBER CROSS REFERENCE

Convert Other Part Numbers to Red Dot Aftermarket Numbers

MACK	
4379-RD56315-0	73R0962
4379-RD563200	71R3575
4379-RD563650	75R8294
4379-RD563940	71R6080
4379-RD563950	71R6040
4379-RD563951	71R6045
4379-RD563960	71R6090
4379-RD563970	71R6020
4379-RD5641072	RD-5-6410-72P
4379-RD564150	75R6041
4379-RD564220	74R3316
4379-RD564230	RD-5-6423-0P
4379-RD564250	RD-5-6425-0P
4379-RD564271	78R5500
4379-RD564290	71R3150
4379-RD564300	71R6110
4379-RD564400	73R0062
4379-RD564500	71R1455
4379-RD564740	70R4306
4379-RD564750	70R4406
4379-RD564760	70R4396
4379-RD564770	70R4496
4379-RD564780	70R4308
4379-RD564790	70R4408
4379-RD564800	70R4398
4379-RD564810	70R4498
4379-RD564820	70R4301
4379-RD564830	70R4401
4379-RD564840	70R4391
4379-RD564850	70R4491
4379-RD564870	70R4591
4379-RD564880	70R4598
4379-RD564930	70R4641
4379-RD565010	70R4791
4379-RD565040	74R2306
4379-RD565050	70R4701
4379-RD565110	70R4446
4379-RD565130	79R5020
4379-RD565200	70R4696
4379-RD565220	70R4998
4379-RD565240	70R4991
4379-RD565250	70R4441
4379-RD565252	73R0352
4379-RD565260	73R0422
4379-RD565261	73R0402
4379-RD565270	70R4346
4379-RD565290	RD-5-6529-0P
4379-RD565310	73R0322
4379-RD56532120	78R0075
4379-RD56532360	RD-5-6532-360P
4379-RD565370	RD-5-6537-0P

MACK	
4379-RD565470	75R6040
4379-RD565470P	75R6040
4379-RD565550	72R2110
4379-RD565620	70R4691
4379-RD565672	74R3466
4379-RD565750	74R1846
4379-RD566000	70R5210
4379-RD566020	71R1310
4379-RD566250	75R8412
4379-RD566291	71R7750
4379-RD566390	71R6115
4379-RD566460	75R0182
4379-RD566511	73R6381
4379-RD5666746	72R8315
4379-RD566830	78R2100
4379-RD566900	71R1902
4379-RD566910	70R5110
4379-RD566930	71R1904
4379-RD566940	RD-5-6694-0P
4379-RD567130	71R0020
4379-RD567140	71R1315
4379-RD567150	RD-5-6715-0P
4379-RD567190	70R4448
4379-RD567280	RD-5-6728-0P
4379-RD567670	RD-5-6767-0P
4379-RD567681	74R3322
4379-RD567800	71R8410
4379-RD567810	RD-5-6781-0P
4379-RD567810P	RD-5-6781-0P
4379-RD5678524	73R0984
4379-RD567980	RD-5-6798-0P
4379-RD567990	RD-5-6799-0P
4379-RD567990P	RD-5-6799-0P
4379-RD568010	73R4182
4379-RD568020	72R8270
4379-RD568030	72R8280
4379-RD568040	71R0460
4379-RD568330	71R6120
4379-RD568340	71R6130
4379-RD568350	71R6140
4379-RD568380	70R4406S
4379-RD568400	70R4498S
4379-RD568410	70R4401S
4379-RD568670	78R5350
4379-RD568680	71R8301
4379-RD568681	71R8301
4379-RD568740	RD-5-6874-0P
4379-RD569172	72R9005
4379-RD569190	75R84522
4379-RD569202P	RD-5-6920-2P
4379-RD569400	RD-5-6940-0P

MACK	
4379-RD569420	70R4346S
4379-RD569430	70R4446S
4379-RD569440	70R4396S
4379-RD569450	70R4496S
4379-RD569460	70R4308S
4379-RD569470	70R4408S
4379-RD569480	70R4448S
4379-RD569490	70R4398S
4379-RD569510	70R4301S
4379-RD569530	70R4341S
4379-RD569540	70R4441S
4379-RD569550	70R4391S
4379-RD569560	70R4491S
4379-RD569690	73R4064
4379-RD569700	73R7110
4379-RD569701	73R7120
4379-RD569780	70R4691S
4379-RD569790	70R4701S
4379-RD569870	72R2351
4379-RD569940	71R7100
4379-RD569960	75R0222
4379-RD570150	71R3100
4379-RD570151	71R8321
4379-RD570230	75R8522
4379-RD570240	RD-5-7024-0P
4379-RD570570	70R2078S
4379-RD570580	70R2071S
4379-RD570610	74R2576
4379-RD570611	74R2536
4379-RD570612	74R2526
4379-RD570621	74R1826
4379-RD570630	74R1866
4379-RD570640	74R0460
4379-RD570680	70R2078
4379-RD570690	70R2071
4379-RD570710	70R3530
4379-RD570720	70R2076
4379-RD570730	70R2072
4379-RD570740	70R2076S
4379-RD570750	70R2072S
4379-RD570880	75R8382
4379-RD570890	75R8384
4379-RD570900	75R8372
4379-RD570910	75R8374
4379-RD571003	RD-5-7100-3P
4379-RD571030	79R4580
4379-RD571050	79R0010
4379-RD571060	79R0020
4379-RD571190	70R6498S
4379-RD571200	75R8422
4379-RD571230	73R8080

MACK	
4379-RD571240	75R8424
4379-RD571290	73R0542
4379-RD5712924	73R0544
4379-RD571450	75R8612
4379-RD571550	71R8400
4379-RD571630	75R8614
4379-RD571640	75R8632
4379-RD571650	75R8634
4379-RD571660	79R4585
4379-RD571780	RD-5-7178-0P
4379-RD571790	71R8420
4379-RD571810	71R0872
4379-RD571830	71R0854
4379-RD571860	71R8499
4379-RD57188035	71R8991
4379-RD571920	71R1330
4379-RD572150	71R0852
4379-RD572230	70R6448
4379-RD572250	70R6598S
4379-RD572310	70R6491S
4379-RD572320	71R1912
4379-RD572330	71R1914
4379-RD572360	70R7006
4379-RD572550	RD-5-7255-0P
4379-RD572620	78R5290
4379-RD572720	74R2546
4379-RD572770	75R5813
4379-RD572780	75R5814
4379-RD572830	70R6496
4379-RD572920	74R3336
4379-RD572970	73R8100
4379-RD573060	75R5806
4379-RD573100	75R5801
4379-RD573110	73R6350
4379-RD573120	73R6300
4379-RD573180	75R5668
4379-RD573200	75R5661
4379-RD573640	71R3250
4379-RD573730	75R8442
4379-RD573920	70R4206
4379-RD573930	70R4296
4379-RD573940	70R4106
4379-RD573950	70R4196
4379-RD573960	70R6006
4379-RD573970	70R6096
4379-RD573980	70R4506
4379-RD573990	70R4546
4379-RD574010	70R4596
4379-RD574030	70R4706
4379-RD574040	70R4796
4379-RD574050	70R4006S

CROSS REFERENCE

O.E.M. PART NUMBER CROSS REFERENCE

Convert Other Part Numbers to Red Dot Aftermarket Numbers

CROSS
REFERENCE

MACK	
4379-RD574060	70R4096S
4379-RD574100	70R2016
4379-RD574110	70R2086
4379-RD574130	70R2096
4379-RD574140	70R2116
4379-RD574170	70R4208
4379-RD574180	70R4298
4379-RD574190	70R4108
4379-RD574200	70R4198
4379-RD574210	70R4608
4379-RD574230	70R4348
4379-RD574240	70R4798
4379-RD574250	70R6008
4379-RD574260	70R6098
4379-RD574270	70R4508
4379-RD574280	70R4548
4379-RD574300	75R5678
4379-RD574310	70R4008S
4379-RD574320	70R4098S
4379-RD574370	75R5848
4379-RD574380	75R5858
4379-RD574390	75R5838
4379-RD574400	70R2018
4379-RD574410	70R2088
4379-RD574430	70R2098
4379-RD574450	70R4698
4379-RD574460	70R2118
4379-RD574470	70R4201
4379-RD574480	70R4291
4379-RD574490	70R4101
4379-RD574500	70R4191
4379-RD574510	70R4341
4379-RD574520	70R6001
4379-RD574540	70R4541
4379-RD574560	75R5671
4379-RD574570	70R4001S
4379-RD574580	70R4091S
4379-RD574600	70R2091
4379-RD574610	70R2011
4379-RD574620	70R2081
4379-RD574630	70R2111
4379-RD574670	70R4202
4379-RD574680	70R4292
4379-RD574690	70R4102
4379-RD574700	70R4192
4379-RD574710	70R4402
4379-RD574720	70R4602
4379-RD574730	70R4442
4379-RD574760	70R4342
4379-RD574770	70R4392
4379-RD574780	70R4502

MACK	
4379-RD574800	75R5672
4379-RD574810	70R4002S
4379-RD574820	70R4092S
4379-RD574870	75R5842
4379-RD574880	75R5852
4379-RD574890	75R5832
4379-RD574900	70R2012
4379-RD574910	70R2092
4379-RD574920	70R2082
4379-RD574930	70R2112
4379-RD574940	75R5802
4379-RD574950	70R4601S
4379-RD575170	74R3136
4379-RD575171	74R3376
4379-RD575220	75R8432
4379-RD575230	75R5560
4379-RD575240	75R5570
4379-RD575300	70R2036
4379-RD575310	70R2038
4379-RD575320	70R2031
4379-RD575330	70R4501
4379-RD575340	70R4606
4379-RD575350	70R4601
4379-RD575370	70R6091
4379-RD575390	75R5808
4379-RD575430	70R4641S
4379-RD575460	70R6496S
4379-RD575480	75R8312
4379-RD575590	74R1106
4379-RD575630	74R3476
4379-RD575640	74R3526
4379-RD575650	74R3536
4379-RD575660	75R8184
4379-RD575670	71R8370
4379-RD575681	74R2686
4379-RD575700	74R8006
4379-RD575752	RD-5-7575-2P
4379-RD575753	RD-5-7575-3P
4379-RD575760	RD-5-7576-0P
4379-RD575790	RD-5-7579-0P
4379-RD575800	RD-5-7580-0P
4379-RD575811	RD-5-7581-1P
4379-RD57582600	78R0110
4379-RD576030	70R2066
4379-RD576040	70R2068
4379-RD576050	70R2061
4379-RD576070	RD-5-7607-0P
4379-RD576100	75R8394
4379-RD576120	70R4996
4379-RD576130	75R5648
4379-RD576140	75R5641

MACK	
4379-RD576290	70R4506S
4379-RD576300	RD-5-7630-0P
4379-RD576320	70R7008S
4379-RD576370	70R6441
4379-RD576410	70R5091S
4379-RD576610	70R4501S
4379-RD576880	75R5768
4379-RD576900	75R5761
4379-RD577040	75R6545
4379-RD577310	79R1520
4379-RD577320	79R1525
4379-RD577330	70R4492S
4379-RD577400	70R4402S
4379-RD577600	72R5250
4379-RD577601	72R5220
4379-RD577602	72R5230
4379-RD577603	72R5240
4379-RD577860	79R1504
4379-RD577870	79R1503
4379-RD577880	79R1502
4379-RD577890	79R1516
4379-RD577900	79R1518
4379-RD577910	79R1521
4379-RD577920	79R1522
4379-RD578050	70R4306S
4379-RD578070	71R1320
4379-RD578090	71R1325
4379-RD578290	75R5122
4379-RD578300	75R5124
4379-RD578310	75R0192
4379-RD578320	75R0194
4379-RD578330	75R5112
4379-RD578340	75R5114
4379-RD578360	70R6406
4379-RD578470	76R7505
4379-RD579640	75R5815
4379-RD579660	75R5688
4379-RD579670	75R5681
4379-RD579820	75R5007
4379-RD579870	75R6019
4379-RD579990	72R9000
4379-RD579991	RD-5-7999-1P
4379-RD580020	RD-5-8002-0M
4379-RD580080	74R3310
4379-RD580090	75R0612
4379-RD580100	75R8505
4379-RD580120	78R1470
4379-RD580160	73R0662
4379-RD580170	70R7001S
4379-RD580260	71R6095
4379-RD580290	73R2212

MACK	
4379-RD580320	73R4122
4379-RD580340	72R5110
4379-RD580390	79R5030
4379-RD5804315.50	RD-5-8043-15.50P
4379-RD580580	70R4692S
4379-RD580611P	75R7295
4379-RD580620	79R4595
4379-RD5807324	73R0474
4379-RD580750	71R4060
4379-RD580760	78R5360
4379-RD580780	78R5365
4379-RD580790	78R5380
4379-RD580830	72R5280
4379-RD580920	73R7200
4379-RD580921	73R7210
4379-RD580990	79R5050
4379-RD581260	73R4242
4379-RD581310	RD-5-8131-0P
4379-RD581340	71R4063
4379-RD581350	72R7105
4379-RD581800	RD-5-8180-0P
4379-RD581840	75R5871S
4379-RD581881	RD-5-8188-1P
4379-RD581881P	RD-5-8188-1P
4379-RD581931	72R5357
4379-RD581932	72R5350
4379-RD581950	70R4791S
4379-RD582030	73R0962
4379-RD582040	73R0432
4379-RD582100	71R1910
4379-RD582120	73R0222
4379-RD582180	71R6160
4379-RD582190	71R6170
4379-RD582200	71R6180
4379-RD582340	70R2406
4379-RD582350	70R2408
4379-RD582360	70R2401
4379-RD582370	70R2402
4379-RD582410	74R3076
4379-RD582540	74R3356
4379-RD582550	73R0982
4379-RD582560	71R0480
4379-RD582570	71R3300
4379-RD582610	70R4302S
4379-RD582620	70R4348S
4379-RD582630	70R4392S
4379-RD582640	70R4342S
4379-RD582650	70R2011S
4379-RD582660	70R2012S
4379-RD582670	70R2016S
4379-RD582680	70R2018S

O.E.M. PART NUMBER CROSS REFERENCE

Convert Other Part Numbers to Red Dot Aftermarket Numbers

MACK	
4379-RD582690	70R2061S
4379-RD582700	70R2062S
4379-RD582710	70R2066S
4379-RD582720	70R2068S
4379-RD582730	70R2031S
4379-RD582740	70R2036S
4379-RD582750	70R4706S
4379-RD582760	70R4796S
4379-RD582770	70R4508S
4379-RD582780	70R4591S
4379-RD582790	70R4596S
4379-RD582800	70R4598S
4379-RD582810	70R7002S
4379-RD582820	70R6492S
4379-RD582830	70R4606S
4379-RD582840	70R4608S
4379-RD582850	70R4646S
4379-RD582860	70R4696S
4379-RD582870	71R6210
4379-RD582880	71R6220
4379-RD582890	71R6230
4379-RD582910	79R1710
4379-RD582920	75R557S
4379-RD582920M	75R557S
4379-RD582930	75R556S
4379-RD582930M	75R556S
4379-RD583080	73R0072
4379-RD5831032	RD-5-8310-32P
4379-RD5831040	RD-5-8310-40P
4379-RD583150	71R0862
4379-RD583290	79R400S
4379-RD583340	75R5200
4379-RD583350	75R6540
4379-RD583360	75R6550
4379-RD583370	75R6520
4379-RD583380	75R6510
4379-RD583390	75R6500
4379-RD583400	75R6530
4379-RD583820	75R4534
4379-RD583930	70R3510S
4379-RD583940	RD-5-8394-0P
4379-RD584020	75R5878S
4379-RD584050	70R4006
4379-RD584120	RD-5-8412-0P
4379-RD584211	RD-5-8421-1P
4379-RD584240	RD-5-8424-0P
4379-RD584330	71R707S
4379-RD584360	72R3120
4379-RD584590	71R0030
4379-RD584620	70R4442S
4379-RD584630	70R4698S

MACK	
4379-RD584810	79R150S
4379-RD584871	RD-5-8487-1P
4379-RD584900	71R1610
4379-RD585260	73R5512
4379-RD585261	73R5514
4379-RD585350	71R1262
4379-RD585350P	71R1262
4379-RD5853524	71R1264
4379-RD585370	70R6006S
4379-RD585380	70R6008S
4379-RD585390	70R4416S
4379-RD585590	73R8554
4379-RD585720	RD-5-8572-0P
4379-RD585720P	RD-5-8572-0P
4379-RD585820	78R5240
4379-RD585830	73R5552
4379-RD585831	73R5554
4379-RD586050	74R0470
4379-RD586180	73R6051
4379-RD586220	RD-5-8622-0P
4379-RD586220P	RD-5-8622-0P
4379-RD586275	73R8612
4379-RD586276	73R8614
4379-RD586312	73R8582
4379-RD586313	73R8584
4379-RD586360	RD-5-8636-0M
4379-RD586370	75R7280
4379-RD586380	75R7290
4379-RD586410	RD-5-8641-0P
4379-RD586411	RD-5-8641-1P
4379-RD586540	71R4020
4379-RD586541	71R4010
4379-RD586730	71R410S
4379-RD586800	75R8354
4379-RD586802	RD-5-8680-2P
4379-RD587032	73R8562
4379-RD587033	73R8564
4379-RD587050	RD-5-8705-0P
4379-RD587050P	RD-5-8705-0P
4379-RD587051	RD-5-8705-1P
4379-RD587090	73R0562
4379-RD58709-0	73R0562
4379-RD587471	RD-5-8747-1P
4379-RD587474	73R8652
4379-RD587590	RD-5-8759-0P
4379-RD587620	RD-5-8762-0P
4379-RD587660	75R8672Q
4379-RD587670	75R8662
4379-RD587710	71R117S
4379-RD587720	70R6506
4379-RD587730	70R6508

MACK	
4379-RD587740	70R6501
4379-RD587852	73R8592
4379-RD587853	73R8594
4379-RD587854	RD-5-8785-4P
4379-RD587910	71R3573
4379-RD588040	72R6400
4379-RD58804-0	72R6400
4379-RD588041	RD-5-8804-1P
4379-RD58804-1	RD-5-8804-1P
4379-RD588042	RD-5-8804-2P
4379-RD588042P	RD-5-8804-2P
4379-RD588050	73R2232
4379-RD588290	RD-5-8829-0P
4379-RD588300	71R0522
4379-RD588310	71R0532
4379-RD588350	73R5522
4379-RD588360	73R5524
4379-RD588370	73R5532
4379-RD58837-0	73R5532
4379-RD588371	73R5642
4379-RD588380	73R5534
4379-RD588490	75R5510
4379-RD588500	75R5819
4379-RD588510	75R5820
4379-RD588570	72R6420
4379-RD588573	72R6425
4379-RD588590	72R6410
4379-RD588620	74R0400
4379-RD588840	75R8644
4379-RD588850	RD-5-8885-0M
4379-RD588850M	RD-5-8885-0M
4379-RD588950	79R9516
4379-RD588960	79R9518
4379-RD588970	79R9521
4379-RD588980	70R9406S
4379-RD588990	70R9408S
4379-RD589000	70R9401S
4379-RD589010	70R9906S
4379-RD589020	70R9908S
4379-RD589030	70R9901S
4379-RD589040	70R9496S
4379-RD589050	70R9498S
4379-RD589060	70R9491S
4379-RD589070	70R9996S
4379-RD589080	70R9998S
4379-RD589090	70R9991S
4379-RD589100	70R9306S
4379-RD589110	70R9308S
4379-RD589120	70R9301S
4379-RD589130	70R9396S
4379-RD589140	70R9398S

MACK	
4379-RD589150	70R9391S
4379-RD589160	70R9016S
4379-RD589170	70R9018S
4379-RD589180	70R9011S
4379-RD589190	70R9076S
4379-RD589200	70R9078S
4379-RD589210	70R9071S
4379-RD589220	73R0612
4379-RD589230	71R1465
4379-RD589260	72R4532
4379-RD589280	72R3157
4379-RD589350	72R6510
4379-RD589360	71R8430
4379-RD589380	71R3160
4379-RD589390	70R9402S
4379-RD589400	70R9492S
4379-RD589410	70R9012S
4379-RD589430	72R6515
4379-RD589440	75R8532
4379-RD589450	75R8252
4379-RD589460	71R6125
4379-RD58946-0	71R6125
4379-RD589470	73R6270
4379-RD589480	73R5562
4379-RD589500	79R9522
4379-RD589510	70R9791S
4379-RD589520	70R9072S
4379-RD589550	70R9001S
4379-RD589560	70R9091S
4379-RD589570	70R9701S
4379-RD589580	79R4600
4379-RD589600	79R460S
4379-RD589610	79R461S
4379-RD589620	78R9456
4379-RD589630	78R9458
4379-RD589640	78R9451
4379-RD589650	78R9452
4379-RD589670	71R0840
4379-RD589950	71R0884
4379-RD590012	RD-5-9001-2P
4379-RD590030	RD-5-9003-0P
4379-RD590031	RD-5-9003-1P
4379-RD590032	RD-5-9003-2P
4379-RD590033	RD-5-9003-3P
4379-RD590110	RD-5-9011-0P
4379-RD590130	RD-5-9013-0P
4379-RD590181P	RD-5-9018-1P
4379-RD590210	71R3578
4379-RD590240	72R3130
4379-RD590280	75R8542
4379-RD590370	71R0512

CROSS
REFERENCE

O.E.M. PART NUMBER CROSS REFERENCE

Convert Other Part Numbers to Red Dot Aftermarket Numbers

CROSS
REFERENCE

MACK		MACK		MACK		MACK	
4379-RD590510	73R5542	4379-RD594434	72R8275	4379-RD596970	70R84551S	4379-RD597480	70R84291S
4379-RD590530	72R3140	4379-RD594450	71R1401	4379-RD596980	70R84561S	4379-RD597490	70R84891S
4379-RD590550	74R4206	4379-RD594470	71R1403	4379-RD596990	70R84506S	4379-RD597500	70R84292S
4379-RD590590	75R8544	4379-RD594480	71R1404	4379-RD597000	70R84441S	4379-RD597510	70R84296S
4379-RD590610	70R5052	4379-RD594490	71R1405	4379-RD597010	70R84641S	4379-RD597520	70R84298S
4379-RD590762	73R8642	4379-RD594550	74R1836	4379-RD597020	70R84446S	4379-RD597530	70R84301S
4379-RD590763	73R8644	4379-RD594560	75R1302	4379-RD597030	70R84448S	4379-RD597540	70R84701S
4379-RD590770	78R5410	4379-RD594580	75R8464	4379-RD597040	70R84991S	4379-RD597550	70R84321S
4379-RD590820	71R8505	4379-RD595130	71R8380	4379-RD597050	70R84791S	4379-RD597560	70R84306S
4379-RD590840	70R5115	4379-RD595150	74R2676	4379-RD597060	70R84692S	4379-RD597570	70R84308S
4379-RD590880	75R8332	4379-RD595350	RD-5-9535-0P	4379-RD597070	70R84396S	4379-RD597580	70R84001S
4379-RD590880P	75R8332	4379-RD595560	74R5060	4379-RD597080	70R84398S	4379-RD597590	70R84051S
4379-RD590900	RD-5-9090-0P	4379-RD596090	75R85032	4379-RD597090	70R94991S	4379-RD597600	70R84002S
4379-RD591000	73R0462	4379-RD596091	75R8552	4379-RD597100	70R96491S	4379-RD597610	70R84006S
4379-RD591020	RD-5-9102-0P	4379-RD596091P	75R8712Q	4379-RD597110	70R94691S	4379-RD597620	70R84008S
4379-RD591130	RD-5-9113-0P	4379-RD596097	RD-5-9609-7P	4379-RD597120	70R94692S	4379-RD597630	75R75678S
4379-RD591190	74R3060	4379-RD596098	75R8712	4379-RD597130	70R95091S	4379-RD597640	75R75858S
4379-RD591300	78R5245	4379-RD596110	75R8507	4379-RD597140	70R94696S	4379-RD597650	75R75838S
4379-RD591330	71R4065	4379-RD596160	77R1602	4379-RD597150	70R96496S	4379-RD597660	75R75158S
4379-RD591520	72R4010	4379-RD596170	77R1612	4379-RD597160	70R94498S	4379-RD597670	75R75142S
4379-RD591530	72R4000	4379-RD596180	77R1614	4379-RD597170	70R94998S	4379-RD597680	75R75152S
4379-RD591540	75R8510	4379-RD596330	79R4561	4379-RD597180	70R96598S	4379-RD597690	75R75672S
4379-RD591550	75R8515	4379-RD596340	79R4562	4379-RD597190	70R94391S	4379-RD597700	75R75832S
4379-RD591560	75R8520	4379-RD596350	79R4563	4379-RD597200	70R94591S	4379-RD597710	75R75852S
4379-RD591570	72R4400	4379-RD596380	RD-5-9638-0P	4379-RD597210	70R94791S	4379-RD597860	74R3370
4379-RD591580	72R4500	4379-RD596490	78R5215	4379-RD597220	70R94396S	4379-RD597890	74R3106
4379-RD591590	72R4510	4379-RD596500	78R5225	4379-RD597230	70R94646S	4379-RD597910	74R3314
4379-RD591940	73R5572	4379-RD596550	75R0232	4379-RD597240	70R94398S	4379-RD597960	RD-5-9796-0P
4379-RD5919424	73R5574	4379-RD596570	75R4732	4379-RD597250	70R94641S	4379-RD597980	75R1222
4379-RD592040	73R5622	4379-RD596590	75R4734	4379-RD597260	70R96741S	4379-RD597990	75R1422
4379-RD592041	73R5624	4379-RD596600	RD-5-9660-0P	4379-RD597270	70R96448S	4379-RD598020	75R0662
4379-RD592161	RD-5-9216-1P	4379-RD596620	RD-5-9662-0P	4379-RD597280	70R94341S	4379-RD598060	75R5525
4379-RD592161P	RD-5-9216-1P	4379-RD596650	75R0402	4379-RD597290	70R84541S	4379-RD598070	71R8503
4379-RD592180	75R5833	4379-RD596660	75R4772	4379-RD597300	70R84741S	4379-RD598080	79R1650
4379-RD592190	75R5834	4379-RD596670	RD-5-9667-0P	4379-RD597310	70R84546S	4379-RD598090	70R5120
4379-RD592240	72R5360	4379-RD596770	RD-5-9677-0P	4379-RD597320	70R84548S	4379-RD598100	70R5125
4379-RD5922536	72R8255	4379-RD596810	70R84201S	4379-RD597330	70R84401S	4379-RD598120	75R5705
4379-RD592380	RD-5-9238-0P	4379-RD596820	RD-5-9682-0P	4379-RD597340	70R84601S	4379-RD598130	75R5698
4379-RD592490	75R1412	4379-RD596830	70R84202S	4379-RD597350	70R84402S	4379-RD598140	75R5691
4379-RD592500	75R1414	4379-RD596840	70R84206S	4379-RD597360	70R84406S	4379-RD598150	75R5824
4379-RD592510	75R8462	4379-RD596850	70R84208S	4379-RD597370	70R84408S	4379-RD598160	75R5825
4379-RD592530	RD-5-9253-0P	4379-RD596860	70R94511S	4379-RD597380	70R84491S	4379-RD598170	75R5827
4379-RD592540	RD-5-9254-0P	4379-RD596870	70R94306S	4379-RD597390	70R84691S	4379-RD598180	75R5829
4379-RD594190	74R2590	4379-RD596880	70R94316S	4379-RD597400	70R84492S	4379-RD598200	78R8806
4379-RD594250	72R3150	4379-RD596900	70R94601S	4379-RD597410	70R84496S	4379-RD598210	78R8808
4379-RD594260	72R3155	4379-RD596910	70R97701S	4379-RD597420	70R84498S	4379-RD598220	78R8810
4379-RD594350	79R6020	4379-RD596920	70R94406S	4379-RD597430	70R84241S	4379-RD598230	78R8812
4379-RD594360	79R6050	4379-RD596930	70R97006S	4379-RD597440	70R84251S	4379-RD598240	78R8806SPD
4379-RD594370	71R1402	4379-RD596940	70R94408S	4379-RD597450	70R84242S	4379-RD598250	78R8808SPD
4379-RD594432	72R8260	4379-RD596950	70R97008S	4379-RD597460	70R84246S	4379-RD598260	78R8810SPD
4379-RD594433	72R8265	4379-RD596960	70R84501S	4379-RD597470	70R84248S	4379-RD598270	78R8812SPD

O.E.M. PART NUMBER CROSS REFERENCE

Convert Other Part Numbers to Red Dot Aftermarket Numbers

MACK	
4379-RD598330	71R1160
4379-RD598720	RD-5-9872-0P
4379-RD599070	RD-5-9907-0M
4379-RD599100	75R5738
4379-RD599150	71R1722
4379-RD599160	71R1460
4379-RD599350	71R8450
4379-RD599520	75R5728
4379-RD599530	75R5721
4379-RD599550	75R5722
4379-RD599560	75R5731
4379-RD599740	75R5512
4379-RD599790	75R5201
4379-RD599830	79R4625
4379-RD599850	75R8322
4379-RD599860	79R8940
4379-RD599870	70R5020
4379-RD599880	70R5010
4379-RD599890	70R5005
4379-RD599900	71R6405
4379-RD599910	71R6405
4379-RD6300	76R6300
4379-RD646610	71R1510
4379-RD646611	RD-6-4661-1P
4379-RD646620	RD-6-4662-0P
4379-RD646640	79R1010
4379-RD646730	79R1020
4379-RD646760	RD-6-4676-0P
4379-RD646762	RD-6-4676-2P
4379-RD646800	71R3550
4379-RD646820	RD-6-4682-0P
4379-RD646910	71R1520
4379-RD646980	RD-6-4698-0P
4379-RD647260	RD-6-4726-0P
4379-RD647970	71R3502
4379-RD647971	RD-6-4797-1P
4379-RD647972	71R3504
4379-RD649400	71R5802
4379-RD650141	71R5804
4379-RD651200	RD-6-5120-0P
4379-RD651201	RD-6-5120-1P
4379-RD651250	71R8902
4379-RD910000	75R9970
4379-RD910030	75R9980
4379-RD910480	75R6020
4379-RD910490	75R6030
4379-RD910580	75R9515
4379-RD910680	75R6017
4379-RD910760	75R9535
4379-RD910990	75R9545
4379-RD911050	75R9985

MACK	
4379-RD911470	75R9615
4379-RD911490	75R9625
4379-RD911500	75R6015
4379-RD911660	75R9635
4379-RD912500	75R9675
4379-RD912730	75R9715
4379-RD913060	RD-9-1306-0P
4379-RD913060P	RD-9-1306-0P
4379-RD913180	75R9550
4379-RD913190	75R9560
4379-RD970080	RD-9-7008-0P
4379-RD971120	75R9785
4379-RD971130	75R9795
4379-RD971580	RD-9-7158-0P
4379-RD971700	RD-9-7170-0P
4379-RD972410	RD-9-7241-0P
4379-RD972860	75R9623
4379-RD973390	75R9960
4379-RD973870	75R9565
4379-RD974000	75R9870
4379-RD99350P	71R8450
4379-RD994323	75R9920
4379-RD994570	75R6016
4379-RD999100	75R6018
4379-RD999190	75R9940
4379-RDG70240	77R5350
4379-RDG70350	77R5550
4428-2T754A	71R1160
4428-2T801A	71R1210
524-19724	75R0252
5428E	75R8292
60RD354	RD-3-3425-0P
6152DA1725	71R7500
7787-525784	78R5235
7787-540021	71R8321
7787-650163	71R3100
7787-650694	71R3582
7787-869445	73R3102
793-21001	75R7280
793-21045	75R7280
793-25150	75R7290
7979-220300	71R1210
7979-220417	71R0100
7979-220635	71R1160
7979-221189	71R0200
7979-221568	71R1702
7979-221655	71R1702
7979-274070	73R0552
7979-275102	73R4062
7979-275130	73R0522
7979-402424	75R1202

MACK	
7979-402492	74R0906
7979-402529	74R1756
7979-402534	75R8292
7979-402537	74R0906
7979-402562	74R0906
7979-404008	71R6300
7979-404021	71R8050
7979-404028	71R2250
7979-404073	71R8100
7979-404075	71R2100
7979-404082	71R2300
7979-404084	71R9002
7979-404141	71R6070
7979-404157	71R2200
82781580	74R3324
85130015	75R8382
8545-6310	75R1872
IMAX3292	75R0522
IMAX3294	75R0682
IMR2355	71R1160
IMX240	75R0452
IMX242	75R0452
IMX246	75R4502
IMXA1279	75R4652
IMXA1280	75R1202
IMXA1281	75R3452
IMXA242	75R1202
IMXA243	75R2402
IMXA3217	75R1652
IMXA3268	75R4652
IMXA3291	75R1302
MA0201P	78R5235
R255024P	R-255-0-24P
RD-3-4052-0P	RD-3-4052-0P
RD-3-6720-0P	RD-3-6720-0P
RD39325M	75R8102
RD-4-7361-0P	77R8350
RD5110200	71R6490
RD-5-11026-0P	71R6470
RD-5-9809-0P	RD-5-9809-0P
RDHRD5115240P	76R5711
RDHRD5990096P	79R0100

MASSEY FERGUSON	
1018462M91	74R0907
1032477M91	75R2402
1069215M91	75R0202
1070592M91	75R4502
107195M91	73R4322
1131243	75R8102
237411M91	74R2527
250375-M91	75R3002
250950-M91	75R4352
274363-M91	75R2552
274939M1	73R0602
284208M92	74R3537
284208M92, 3712495M1,	
376335M1	74R2527
284238M1	71R8301
3038920M9, M91	71R8210
3039149M91	74R1106
3347710W1	74R1906
3380223M1	71R8080
3383321M2	74R1426
338332M1	74R1426
3478520M91	71R8220
3712495M1	74R3107
3763351M1	74R3322
3901517M1	71R8321
3902334M91	71R8321
470039-M91	75R3452
70257336-1	73R4322
D45054900	75R0452
PH 088193-00, RD-5-11192-0	74R2608
RD-5-6526-0	73R0422

CROSS REFERENCE

O.E.M. PART NUMBER CROSS REFERENCE

Convert Other Part Numbers to Red Dot Aftermarket Numbers

CROSS
REFERENCE

OGURA	
332639	75R0452
501075	75R3454
501076	75R4734
501215	75R1202
501939	75R1202
502393	75R3002
502400	75R4652
502409	75R0302
502731	75R1652
502732	75R2702
502734	75R3602
502740	75R2402
502742	75R3452
502743	75R3602
502745	75R4352
502966	75R1222
503879	75R1342
508888	75R0402
509285	75R0202
511051	75R0252
511199	75R3452
511868	75R0252
511869	75R0182
511870	75R1412
513352	75R0612
513495	75R4752
513559	75R4762
513822	75R4742
515376	75R0662
515528	75R1342
518482	75R4702
518483	75R4722
518484	75R4732
520226	75R0612
520453	75R0682
520566	75R1302
520636	75R0522
522582	75R1302
522583	75R0522
522584	75R0682
525205	75R0502
CH4.91G	75R3002
MA-6A-24	75R4734
MA-6AX	75R1202
MA75CCI	75R0682
MA-75CCI	75R0682
MA-7A	75R4502
MA-7A-24	75R3454
MA-84CCI	75R0502
MA84CCI208	75R0502
MAE-06A	75R1302

OGURA	
MAE-06A210	75R1302
MAE-6AR	75R1202
MAE-MG01	75R0682
MAE-MG07	75R0522
MAM-13	75R0402
MAM-13402	75R0402
MAN-01	75R3452
MAN-03	75R0612
MAN-030S	75R0522
MAN-03D	75R0612
MAN-05	75R0662
MAN-06	75R1342
MS-6A	75R0452
MS-6A2	75R4734

PACCAR KENWORTH - PETERBILT	
05-18917-205	71R6500
08-02151	72R0260
08-02429	RD-5-4704-1P
08-02445	72R0600
088133-01	74R2306
088349-01	74R3156
17-03568	79R4650
173096	72R6510
18-01080	73R4602
18-01210	75R1202
18-01211	75R0152
18-01212	75R1802
18-01213	75R4352
18-01214	75R4652
18-01255	73R0602
18-01554	77R0700
18-01800	74R2706
18-01843	75R1652
18-01866	75R3452
18-02074	77R7900
18-02135	75R7280
18-02329	71R2500
18-02345	70R3550
18-02346	74R2556
18-02434	75R4652
18-02441	75R2552
18-02567	75R1652
18-02570	75R1802
18-02572	75R1202
18-02747	77R7900
18-02802	75R8502
18-02959	RD-5-8855-0P
18-03006	75R8512
18-03076	74R3156
18-03093	77R0580
18-03160	RD-3-3947-0P
18-03163	71R6080
18-03285	71R6040
18-03536	75R81702
18-03571	RD-4-4355-1P
18-03601	71R6100
18-03619	74R2616
18-03722	77R6982
18-03787	75R81472
18-03788	75R81452
18-03809	77R6950
18-03834	71R6170
18-03835	71R6180
18-03836	71R6160
18-03837	74R5050
18-03903	77R0665

PACCAR KENWORTH - PETERBILT	
18-04015	77R6950
18-04081	75R81482
18-04088	75R81452
18-04171	74R5060
18-04291	75R81562
18-04307	71R6160
18-04331	71R6170
18-04373	75R84312
18-04454	77R6950
18-0471	74R5060
18-05000	75R84292
18-1208	75R2702
18-1210	75R1202
18-1213	75R4352
18-1214	75R4652
18-123076	74R3306
18-14015	77R6950
18-1822	75R1202
18-1843	75R1652
18-1866	75R3452
18-2113	75R4352
18-50000	75R84292
1CC4696	75R8772
1E4582	77R0705
1E5079	77R0705
1E5523	77R6950
201520BSM	73R0552
20152P1	73R0552
201930BSM	73R0454
2030-12	73R0552
203020BSM	73R0552
20302P	73R0552
203030BSM	73R0454
203076	73R4422
203080BSM	73R4182
203085BSM	73R4322
203126BSM	73R0662
203139BSM	73R0612
203236BSM	73R0222
203239BSM	73R0152
203320BSM	73R0604
203330BSM	73R0522
205620BSM	73R0522
205630BSM	73R4182
205780BSM	73R4182
20578P	73R4182
205840	73R4422
220990KB	71R0460
221503KB	71R1620
22150KB	71R1610
221568	71R1702

O.E.M. PART NUMBER CROSS REFERENCE

Convert Other Part Numbers to Red Dot Aftermarket Numbers

PACCAR KENWORTH - PETERBILT	
23-12752	77R0580
23-12753	77R0580
243051KB	73R4062
274271	73R4312
275102BSM	RD-5-9102-0P
2898-091-010	RD-5-4387-0P
29-00972	RD-3-3751-0P
301011BSM	73R0514
301071BSM	RD-5-4387-0P
301072BSM	73R0222
307300BSM	71R8505
315315BSM	71R6050
318014BSM	74R5050
319164BSM	74R3356
319360BSM	71R1450
321060BSM	71R1450
321110BSM	71R0460
322000BSM	71R0450
322005BSM	71R2200
3X010018	76R7730
3X010633	77R1335
3X011018	76R3915
404073	71R8100
404082	71R2400
404117KB	71R6300
404145	71R3200
404145, 58949P	71R3200
404146?	71R8400
4417-9931	75R1842
4424-9931	75R4812
4426-9931	75R0194
4433SAN	75R84312
4485SAN	75R81302
4510SAN	75R8382
4511SAN	75R8252
4516SAN	75R8374
4647SAN	75R81472
4731-6000	75R84292
4740SAN	75R84312
486684-5008	77R6985
488-20300	75R7280
488-21097	75R7290
488-21569	75R7280
488-21909	75R7290
4893SAN	75R81652Q
502393 OCC	75R3002
524-19718	75R0182
524-19719	75R1412
525507BSM	78R5420
525838BSM	78R5308
535838BSM	78R5410

PACCAR KENWORTH - PETERBILT	
540056BSM	71R8405
540057BSM	71R8430
540446BSM	71R8460
5577-22	73R4162
560890BSM	71R9002
5638	71R8100
563800BSM	71R8100
576270BSM	71R8100
585900BSM	71R8400
589490BSM	71R2200
58949P	71R3200
589500BSM	71R8400
58950P	71R8400
5X000180	78R5450
5X000190	78R5450
5X010007	78R5460
5X010034	RD-5-9102-0P
5X010061	71R8504
5X012169	RD-5-9102-0P
5X012169983	RD-5-9102-0P
5X013817	78R5455
622100BSM	71R1620
650163BSM	71R3100
650179BSM	71R1457
650341BSM	71R3571
650417BSM	71R3300
650442BSM	71R6175
650446BSM	71R6275
650690BSM	71R1704
650890BSM	71R9002
6511-6210	75R0232
6512-6210	75R0052
651690BSM	71R1150
6519-6010	75R0202
652090BSM	71R0460
652100BSM	71R1620
652420BSM	71R1702
652578BSM	71R6175
6560-6010	75R0192
70271	71R2500
7042-1	71R2700
70650	71R9002
8037030	71R6456
8037034	71R6500
8040082	75R89474
8040103	71R6560
8040105	71R6565
8040135	71R6400
8040136	71R6405
8042105	71R6565
85180	71R9002

PACCAR KENWORTH - PETERBILT	
865700BSM	71R7550
867405BSM	72R6530
867559BSM	71R6070
871218BSM	73R0612
9120	75R8212
926384C1	74R2406
9313-6310	75R1402
93CAAB2500-01S	71R8505
93CAB2500-01S	71R8505
A45-1054	71R3100
AM80845	71R0150
AM81019	71R2200
AM86559	73R2262
AM86610	73R4602
B20021S	76R2355
BA3230	71R6175
BSM203132	73R0422
BSM203133	73R0402
BSM203139	73R0612
BSM203178	73R0532
BSM203239	73R0222
BSM203389	73R0612
BSM302001	73R7215
BSM302081	73R6251
BSM525507	78R5420
BSM602005	73R7000
BSM650163	71R3100
D1037-3020	78R0456
D1037-3023	78R0456
D1037-3026	78R0456
D1037-3037	78R0458
D1037-3040	78R0458
D1037-3060	78R0451
D1037-3062	78R0451
D1037-3063	78R0451
D1037-3070	78R0452
D1037-3074	78R0452
D2054-2512	70R4306S
D2054-2538	70R4396S
D2054-2551	70R4406S
D2054-2577	70R4496S
D2054-2603	70R4408S
D2054-2616	70R4448S
D2054-2798	70R4701S
D2054-2824	70R4791S
D2054-2863	70R4691S
D2054-3090	70R4498S
D2054-4007	75R5808
D2054-4011	75R5801
D2054-4074	70R4392S
D2054-4633	70R2018S

PACCAR KENWORTH - PETERBILT	
D2074-1243	70R5110
D2074-1282	70R5115
D2653-5399	71R9002
D2953-5300	71R8100
D2953-5363	71R8400
ESTER25065	79R4595
F31-0643	77R1335
F31-6042	77R1335
F31-6043	77R1335
F31-6062	77R6950
F31-6063	74R5062
F31-6097	77R0710
F37-1000	74R2002
F37-1003	74R3356
F37-1017-100	74R4219
F37-6000	74R2002
F37-6000C	74R2002
F37-6001	74R2002
F37-6002	74R2026
F37-6003	74R2016
F37-6008	74R2016
F37-6009	74R2006
F37-6010	74R2016
F37-6011	74R2006
F37-6012	74R2002
F37-6013	74R2026
F69-1003	75R81662
F69-1015-111	75R89632Q
F69-6001-111	75R81662
F69-6001-114	75R81502
F69-6001-121	75R89572
F69-6001-122	75R84292
F69-6001-133	75R84192
F69-6001-153	75R81582
F69-6001-215	75R81512
F69-6001-231	75R8742
F69-6001-233	75R84312
F69-6001-253	75R81472
F69-6002-114	75R81502
F69-6002-121	75R84292
F69-6002-133	75R84192
F69-6002-214	75R81562
F69-6002-231	75R8742
F69-6002-243	75R81452
F69-6003-111	75R89502
F69-6003-121	75R89492
F69-6003-122	75R89522
F69-6003-151	75R89532
F90-6000	71R8420
F90-6001	71R8430
FJK SP4071	71R7075

CROSS
REFERENCE

O.E.M. PART NUMBER CROSS REFERENCE

Convert Other Part Numbers to Red Dot Aftermarket Numbers

CROSS
REFERENCE

PACCAR KENWORTH - PETERBILT	
HA0301-01S	RD-5-9102-0P
HA18350	73R0572
HA1990	73R2232
HC1400	73R6051
HV32668	71R8050
HV33061	71R3200
K027-1255	RD-5-4448-0P
K092-310-1	RD-3-5097-0P
K1110-0548-20	71R1315
K1110-0552-30	71R1300
K122-102	77R6945
K122-119	77R6935
K122-123	77R6935
K122-124	77R6935
K122-125	77R6957
K122-128	77R6955
K122-149	77R6951
K122-159	70R2201
K122-62	77R6925
K122-81	77R6930
K122-98	77R6965
K137-299-1	77R6970
K137-299-2	77R6975
K152-351	70R3590
K251-263	74R1706
K251-306	74R2106
K251-363	74R1906
K251-459	74R3306
K251-486	74R1906
K251-521	74R2306
K251-563	74R2306
K251-566	74R2526
K251-571	74R3356
K251-591	74R3356
K256-566	74R3356
K295-193	72R6400
K295-229	72R0190
K301-162	71R1702
K301-19	71R0600
K301-239	71R7550
K301-272-220	71R6460
K301-313-1	71R7550
K301-355	71R7710
K301-365-200	71R6456
K301-365-205	71R6500
K301-390-1	71R6160
K301-69	71R6300
K301-89	71R0150
K313-601-0	75R1402
K318-103	75R81502
K318-119	75R7290

PACCAR KENWORTH - PETERBILT	
K318-119-2	75R7312
K318-119-3	75R7290
K318-137-2	75R7290
K318-137-3	75R7290
K318-137-5	75R7332
K318-137-6	75R7322
K318-149-2	75R7290
K318-20-1	73R4182
K318-27-2	75R8342
K318-27-3	75R81702
K318-36-02	75R8502
K318-36-03	75R8512
K332-12	75R1802
K332-12, 26	75R1802
K332-14	75R1202
K332-15	75R4652
K332-15, 21, 25	75R4652
K332-19	75R1202
K332-19, 24	75R1202
K332-19,-24	75R1202
K332-21	75R4652
K332-22	75R2402
K332-23	75R3452
K332-24	75R1202
K332-25	75R4652
K332-26	75R1802
K332-27	75R1202
K332-28	75R2402
K332-29	75R3452
K332-31	75R4352
K332-32	75R3452
K332-37	75R1202
K332-40	75R1652
K332-43	75R4652
K332-44	75R1202
K332-48	75R1652
K332-53	75R0302
K332-59-3	75R0512
K332-59-4	75R0682
K332-59-5	75R1302
K332-59-6	75R0402
K332-59-7	75R0522
K332-62-1	75R1202
K332-62-2	75R0302
K332-B17	75R3602
K332-B19	75R0452
K332-B25	75R0194
K332-B26	75R3602
K332-B32	75R2552
K332-C27	75R1202
K355-369-1	75R7322

PACCAR KENWORTH - PETERBILT	
K545-631-0	75R1872
KA1695	75R4734
MA N03	75R0612
MA N05	75R0662
N4778001	77R8305
NA0151	76R5716
NA1501-01S	76R6668
P93CAA0101-01	74R5050
P93CAA0200-01S	71R3575
P93CAA0300-01S	73R0222
P93CAA0301-01S	73R0222
P93CAA3604-01	71R6170
P93CAA3605-01	71R6180
P93CAA3606-01	71R6160
P93CAA4230-02S	71R2200
P93CAB0400-01S	73R6383
P93CAB2500-01S	71R8505
P93CAB4000-01S	73R0222
PV28111Q	73R4602
R0440001	77R8325
R2000-6	R-2000-6P
R-2020-0-24P	R-2020-0-24P
R-2020-0P	R-2020-0P
R2550-0	R-2550-0P
R290-4-24	R-290-4-24P
R4013H-24	R-4013H-24P
R4122-9	R-4122-9P
R4500-8	R-4500-8P
R5040-0	R-5040-0P
R5040-2	R-5040-2P
R5040-6	R-5040-6P
R5045-2	R-5045-2P
R6100-0P	R-6100-0P
R8730-0	R-8730-0P
R9715-10	R-9715-10P
R-9777-0-24P	R-9777-0-24P
R-9777-0P	R-9777-0P
RD1010120	73R6370
RD101471	76R2600
RD102970	76R2700
RD1-0352-0	RD-1-0352-0P
RD103880	76R3400
RD1-0411-0	RD-1-0411-0P
RD1-0419-0	RD-1-0419-0P
RD1-0496-1	RD-1-0496-1P
RD1-0552-0	RD-1-0552-0P
RD105740	76R2350
RD1-0616-0	RD-1-0616-0P
RD1-0642-0	RD-1-0642-0P
RD106500	76R3250
RD1-0661-2	RD-1-0661-2P

PACCAR KENWORTH - PETERBILT	
RD1-0661-3	RD-1-0661-3P
RD1-0661-7	RD-1-0661-7P
RD107150	76R3460
RD1-0793-2	RD-1-0793-2P
RD1-0793-4	RD-1-0793-4P
RD1-0837-0	RD-1-0837-0P
RD1-0959-0	RD-1-0959-0P
RD1-1654-0P	RD-1-1654-0P
RD2-0781-6	RD-2-0781-6P
RD2-0815-24.50	RD-2-0815-26.50P
RD2-0921-1	RD-2-0921-1P
RD2-1017-0	RD-2-1017-0P
RD211210	76R6300
RD2-1121-1	RD-2-1121-1P
RD211375	76R6110
RD2-1184-0	RD-2-1184-0P
RD2-1189-0	RD-2-1189-0P
RD2-1201-0	RD-2-1201-0P
RD2-1206-2	RD-2-1206-2P
RD2-1207-0	RD-2-1207-0P
RD2-1207-1	RD-2-1207-1P
RD2-1207-2	RD-2-1207-2P
RD2-1240-0	RD-2-1240-0P
RD2-1245-0	RD-2-1245-0P
RD2-1250-0	RD-2-1250-0P
RD2-1284-0	RD-2-1284-0P
RD2-1290-0	RD-2-1290-0P
RD2-1296-0	RD-2-1296-0P
RD2-1297-0	RD-2-1297-0P
RD2-1315-0	RD-2-1315-0P
RD213640	76R7050
RD2-1378-0	RD-2-1378-0P
RD214020	76R6150
RD2-1469-0	RD-2-1469-0P
RD214850	76R6850
RD2-1499-1	RD-2-1499-1P
RD215100	76R5000
RD216100	76R7010
RD2-1647-30	RD-2-1647-30P
RD2-1659-26	RD-2-1659-26P
RD2-1727-26.50	RD-2-1727-26.50P
RD2-1735-0	RD-2-1735-0P
RD2-1758-0	RD-2-1758-0P
RD2-2163-75	RD-2-2163-75P
RD2-2330-0	RD-2-2890-0P
RD2-2693-1	RD-2-2693-1P
RD2-2816-63	RD-2-2816-63P
RD2-2817-67	RD-2-2817-67P
RD2-3006-0	RD-2-3006-0P
RD2-3150-0	RD-2-3150-0P
RD310612	73R0552

O.E.M. PART NUMBER CROSS REFERENCE

Convert Other Part Numbers to Red Dot Aftermarket Numbers

PACCAR KENWORTH - PETERBILT

RD3-1141-3	RD-3-1141-3P
RD3169-5	RD-3169-5P
RD3-1978-0	RD-3-1978-0P
RD3205-29	RD-3205-29P
RD3-2415-2	RD-3-2415-2P
RD3-2592-0	RD-3-2592-0P
RD3270-2	RD-3270-2P
RD3-2788-1	RD-3-2788-1P
RD3-2788-4	RD-3-2788-4P
RD3-3031-0	RD-3-3031-0P
RD3-3121-1	RD-3-3121-1P
RD3-3174-0	RD-3-3174-0P
RD3-3311-0	RD-3-3311-0P
RD3-3323-2	RD-3-3323-2P
RD3-3395-7	RD-3-3395-7P
RD3-3395-8	RD-3-3395-8P
RD3-3430-0	RD-3-3430-0P
RD3-3590-0	RD-3-3590-0P
RD3-3751-2	RD-3-3751-2P
RD3-3805-2	RD-3-3805-2P
RD3-3812-2	RD-3-3812-2P
RD3-3813-0	RD-3-3813-0P
RD3-3847-0	RD-3-3847-0P
RD3-3901-1	RD-3-3901-1P
RD3-3955-0	RD-3-3955-0P
RD3-3997-0	RD-3-3997-0P
RD3-4052-0	RD-3-4052-0P
RD3-4056-0	RD-3-4056-0P
RD3-4066-0	RD-3-4066-0P
RD3-4274-0	RD-3-4274-0P
RD3-4343-0	RD-3-4343-0P
RD3-4344-0	RD-3-4344-0P
RD3-4417-0	RD-3-4417-0P
RD3-5072-0	RD-3-5072-0P
RD3-5177-0	RD-3-5177-0P
RD3-5178-0	RD-3-5178-0P
RD3-5277-0	RD-3-5277-0P
RD3-5277-1	RD-3-5277-1P
RD3-5310-1	RD-3-5310-1P
RD3-5367-0	RD-3-5367-0P
RD3-5390-0	RD-3-5390-0P
RD3-5555-0	RD-3-5555-0P
RD3-5700-1	RD-3-5700-1P
RD3-5786-1	RD-3-5786-1P
RD3-5892-1	RD-3-5892-1P
RD3-5964-0	RD-3-5964-0P
RD3-5964-1	RD-3-5964-1P
RD3-6023-1	RD-3-6023-1P
RD3-6060-0	RD-3-6060-0P
RD3-6264-0	RD-3-6264-0P
RD3-6401-0	RD-3-6401-0P

PACCAR KENWORTH - PETERBILT

RD3-6550-0	RD-3-6550-0P
RD3-7822-0	71R8310
RD3-7838-0	RD-3-7838-0P
RD3-7838-1	RD-3-7838-1P
RD3-8226-0	RD-3-8226-0P
RD3-8999-0P	RD-3-8999-0P
RD3-9157-0P	RD-3-9157-0P
RD4184-0	RD-4184-0P
RD4199-0	RD-4199-0P
RD4221-0	RD-4221-0M
RD4222-0	RD-4222-0M
RD42570	72R5050
RD4-3804-0	RD-4-3804-0P
RD4-3882-0	RD-4-3882-0P
RD4-3882-3	RD-4-3882-3P
RD4-3883-0	RD-4-3883-0P
RD4-3883-1	RD-4-3883-1P
RD441610	77R0900
RD442717	71R3200
RD442724	71R3100
RD4-4313-1	RD-4-4313-1P
RD4-4600-0	RD-4-4600-0P
RD4-4728-0	RD-4-4728-0P
RD4-4747-0	RD-4-4747-0P
RD4-5041-0	RD-4-5041-0P
RD4-5135-0	RD-4-5135-0P
RD4-5341-0	RD-4-5341-0P
RD4-5370-0	RD-4-5370-0P
RD4-5370-1	RD-4-5370-1P
RD4-5449-0	RD-4-5449-0P
RD500600	72R1502
RD5-10070-0	73R0142
RD5-10735-0	74R3156
RD5-10777-0	74R2616
RD5-11113-0	79R1255
RD5-11595-0	RD-5-11595-0P
RD5-12742-0P	RD-5-12742-0P
RD5-12742-24P	RD-5-12742-24P
RD536460	71R1150
RD536470	71R1450
RD5-3764-0	RD-5-3764-0M
RD5-3780-24	73R4104
RD5-3781-0	RD-5-3781-0P
RD5-3781-1	RD-5-3781-1P
RD538270	72R0220
RD538274	72R0240
RD538276	72R0260
RD5-3827-8	RD-5-3827-8P
RD5-3849-0	RD-5-3849-0P
RD5-3855-1	RD-5-3855-1P
RD5-3860-5	RD-5-3860-5P

PACCAR KENWORTH - PETERBILT

RD5-3883-2	RD-5-3883-2P
RD5-3894-2	RD-5-3894-2P
RD5-3928-2	RD-5-3928-2P
RD539330	73R7101
RD5-4060-0	RD-5-4060-0M
RD5-4089-0	RD-5-4089-0M
RD5-4097-0	RD-5-4097-0P
RD5-4195-0	RD-5-4195-0P
RD5-4265-0	RD-5-4265-0P
RD5-4453-0	RD-5-4453-0P
RD544750	72R0050
RD5-4487-0	RD-5-4487-0P
RD5-4527-0	70R2201
RD5453124	71R3200
RD5-4611-0	RD-5-4611-0P
RD5-4624-1	RD-5-4624-1P
RD5-4636-0	RD-5-4636-0P
RD5-4680-0-BLU	RD-5-4680-0-BLUP
RD5-4680-0-GRN	RD-5-4680-0-GRNP
RD5-4680-0-RED	RD-5-4680-0-REDP
RD546940	71R0450
RD548000	72R6400
RD5-4825-11	RD-5-4825-11P
RD5-4825-15	RD-5-4825-15P
RD5-4825-16	RD-5-4825-16P
RD5-4825-23	RD-5-4825-23P
RD549230	72R5040
RD551190	72R5060
RD551380	72R6420
RD5-5218-0	RD-5-5218-0M
RD5-5223-2	RD-5-5223-2P
RD5-5233-0	RD-5-5233-0P
RD5-5233-1	RD-5-5233-1P
RD5-5234-0	RD-5-5234-0M
RD5-5349-0	RD-5-5349-0P
RD5-5374-0	RD-5-5374-0P
RD5-5381-0	RD-5-5381-0M
RD5-5402-0	RD-5-5402-0P
RD5-5423-0	RD-5-5423-0P
RD5-5450-0	RD-5-5450-0P
RD5-5452-0	RD-5-5452-0P
RD554950	72R5260
RD5-5502-0	RD-5-5502-0M
RD5-5505-33	RD-5-5505-33P
RD5-5505-62.50	RD-5-5505-62.50P
RD5-5510-0	RD-5-5510-0P
RD555380	72R0070
RD555710	74R1806
RD5-5657-4	RD-5-5657-4P
RD557210	72R0600
RD557211	72R0190

PACCAR KENWORTH - PETERBILT

RD5-5753-52.50	RD-5-5753-52.50P
RD5-5753-65	RD-5-5753-65P
RD5-5965-0	RD-5-5965-0P
RD5-5973-0	RD-5-5973-0P
RD560281	72R1310
RD5-6028-3	RD-5-6028-3P
RD5-6028-4	RD-5-6028-4P
RD5-6051-1	RD-5-6051-1P
RD5-6052-1	RD-5-6052-1P
RD5-6118-0	RD-5-6118-0P
RD5-6130-0	RD-5-6130-0P
RD5-6131-0	RD-5-6131-0P
RD5-6132-0	RD-5-6132-0P
RD5-6205-0	RD-5-6205-0P
RD5-6239-0	RD-5-6239-0P
RD5-6425-0	RD-5-6425-0P
RD5-6532-360	RD-5-6532-360P
RD5-6537-0	RD-5-6537-0P
RD5-6694-0	RD-5-6694-0P
RD5-6715-0	RD-5-6715-0P
RD5-6767-0	RD-5-6767-0P
RD5-6798-0	RD-5-6798-0P
RD5-6799-0	RD-5-6799-0P
RD5-6874-0	RD-5-6874-0P
RD5-7024-0	RD-5-7024-0P
RD5-7064-0	74R0460
RD5-7178-0	RD-5-7178-0P
RD5-7255-0	RD-5-7255-0P
RD5-7575-3	RD-5-7575-3P
RD5-8002-0	RD-5-8002-0M
RD5-8220-0	71R6180
RD5-8310-32	RD-5-8310-32P
RD5-8412-0	RD-5-8412-0P
RD5-8424-0	RD-5-8424-0P
RD5-8436-0	72R3120
RD5-8509-0	71R0892
RD5-8526-0	73R5512
RD5-8572-0	RD-5-8572-0P
RD5-8622-0	RD-5-8622-0P
RD5-8631-3	73R8584
RD5-8680-2	RD-5-8680-2P
RD5-8709-0	73R0562
RD5-8747-1	RD-5-8747-1P
RD5-8762-0	RD-5-8762-0P
RD5-8772-0	70R6506
RD5-8774-0	70R6501
RD5-8785-2	73R8592
RD5-8804-2	RD-5-8804-2P
RD5-9001-2	RD-5-9001-2P
RD5-9003-0	RD-5-9003-0P
RD5-9003-1	RD-5-9003-1P

CROSS
REFERENCE

O.E.M. PART NUMBER CROSS REFERENCE

Convert Other Part Numbers to Red Dot Aftermarket Numbers

PACCAR KENWORTH - PETERBILT	
RD5-9003-3	RD-5-9003-3P
RD5-9013-0	RD-5-9013-0P
RD5-9513-0	71R8380
RD5-9556-0	74R5060
RD5-9900-96P	79R0100
RD6-4662-0	RD-6-4662-0P
RD6-4676-2	RD-6-4676-2P
RD6-4682-0	RD-6-4682-0P
RD6-4698-0	RD-6-4698-0P
RD6-4726-0	RD-6-4726-0P
RD6-4797-1	RD-6-4797-1P
RD6-4830-0	RD-6-4830-0P
RD9-7008-0	RD-9-7008-0P
RD9-7170-0	RD-9-7170-0P
R044001	77R8305
VH1275	75R5575
VH1280	75R5565
W2073001	71R8455
Z9206001	77R8305

PARKER	
031130-63	71R8210
031134-03	71R8090
031134-102	71R8100
031134-120	71R8080
031134-300	71R8050
040138-102	71R8321
040138-114	71R8400
040138-123	71R8301
040138-128	71R8301
040138-132	71R8400
040138-133	71R8301
040138-136	71R8370
040138-142	71R8370
040138-146	71R8370
040138-152	71R8370
040138-401	71R8425
040138-404	71R8457
080205-00	70R3800
085041-01	74R0906
085098-00	74R0906
085154-02	74R0450
085164-00	74R0906
085164-02	74R0906
085167-01	70R3500
085167-18	70R3590
085220-00	70R3590
088011-00	74R2406
088011-01	74R2406
088028-03	74R2706
088038-01	74R2526
088046-00	74R1106
088048-00	74R3450
088048-02	74R3450
088078-00	74R3516
088079-00	74R3306
088080-00	74R3056
088115-00	74R2526
088115-01	74R2526
088131-00	74R2606
088133-00	74R2306
088133-04	74R2306
088154-00	74R2556
088175-00	74R2676
088175-05	74R2676
088193-00	74R2606
088193-03	74R2606
088209-00	74R3516
088209-02	74R3516
088211-00	74R3526
088211-01	74R3526
088214-00	74R3106

PARKER	
088214-03	74R3106
088215-02	74R2667
088239-00	74R4206
088239-01	74R4206
08824800	74R2706
088248-00	74R2706
088248-01	74R2706
088248-02	74R2706
088250-00	74R2616
088252-01	74R0400
088254-00	74R3346
088254-01	74R3346
088261-00	74R0470
088268-01	74R3322
088271-01	74R4026
088271-02	74R4026
088273-00	74R1106
088281-00	74R3147
088281-01	74R3147
088282-00	74R3148
088282-01	74R3330
088282-03	74R3330
088292-01	74R3309
088293-00	74R3309
088293-01	74R3309
088294-00	74R3309
088294-01	74R3076
088295-00	74R3076
088295-01	74R1427
088324-00	74R3356
088324-01	74R3356
088324-02	74R3356
088335-00	74R3327
088336-00	74R3310
088336-01	74R3310
088343-00	74R3376
088343-01	74R3376
088366-00	74R1406
088378-00	74R3455
088392-01	74R3327
088397-00	74R3327
088397-01	74R3327
088411-01	74R0460
088411-02	74R0460
088423-00	74R2536
088423-01	74R2536
088424-01	74R2556
088434-01	74R0470
088446-00	74R3126
088470-00	74R3313
088470-01	74R3313

PARKER	
088485-01	74R3106
088491-01	74R1406
088492-00	74R1427
088492-01	74R1427
088502-00	74R3126
088518-00	74R3126
088535-00	74R3327
088535-01	74R3327
088536-00	74R3310
088536-01	74R3310
088538-00	74R3126
088539-00	74R3126
088544-01	74R0400
088550-00	74R4206
088559-01	74R0455
088599-01	74R0475
089194-00	74R5065
089248-00	74R5093
248107	74R0906
248169-00	74R3506
248169-01	74R3506
248269-01	74R4016
249538-01	74R4016
249755-10	74R4116
700001	74R5050
700075	74R5060
829-100	71R8425
829-101	71R8457
837555	74R5063

PETERBILT
SEE PACCAR

CROSS
REFERENCE

O.E.M. PART NUMBER CROSS REFERENCE

Convert Other Part Numbers to Red Dot Aftermarket Numbers

QUE	
QP15-1121	75R8512Q
QP15-1129	75R8502Q
QP15-1132	75R8522Q
QP15-1152	75R8612Q
QP15-1153	75R8614Q
QP15-1154	75R8544Q
QP15-1156	75R85932Q
QP15-1165	75R85734Q
QP15-1166	75R8532Q
QP15-1167	75R8632Q
QP15-1168	75R85032Q
QP15-1170	75R86172Q
QP15-1171	75R8702Q
QP15-1266	75R86132Q
QP15-1268	75R86134Q
QP15-1279	75R85714Q
QP15-1280	75R86152Q
QP15-1281	75R86162Q
QP15-1282	75R86182Q
QP15-1294	75R86194Q
QP15-1301	75R8552Q
QP15-1316	75R85632Q
QP15-1323	75R85832Q
QP15-1324	75R85732Q
QP15-1329	75R85332Q
QP15-1330	75R86092Q
QP15-1479	75R8542Q
QP15-1561	75R85642Q
QP16-1180	75R8712Q
QP16-1181	75R8714Q
QP16-1186	75R86202Q
QP16-1192	75R8634Q
QP16-1194	75R8644Q
QP16-1195	75R8822Q
QP16-1206	75R89782Q
QP16-1350	75R86212Q
QP16-1495	75R8742Q
QP16-1523	75R86232Q
QP16-1581	75R8802Q
QP16-1596	75R86222Q
QP16-1641	75R85102Q
QP16-1661	75RR89624Q
QP16-1672	75R85132Q
QP16-1677	75R85112Q
QP21-1562	75R86142Q
QP21-1563	75R86144Q
QP21-1564	75R861522Q
QP21-1565	75R86324Q
QP21-1657	75R86322Q
QP21-1700	75R89752Q
QP21-1713	RD-5-15316-OP

QUE	
QP21-1726	75R86332Q
QP31-1209	75R8672Q
QP31-1210	75R8674Q
QP31-1211	75R8782Q
QP31-1212	75R8784Q
QP31-1213	75R8682Q
QP31-1214	75R8684Q
QP31-1714	75R8704Q
QP31-1715	75R8814Q
QP4326	75R9612Q
QP5H14-4510	75R8382Q
QP5H14-4537	75R8354Q
QP7H15-4285	75R89802Q
QP7H15-4314	RD-5-15572-1P
QP7H15-4326	75R9612Q
QP7H15-4417	75R81302Q
QP7H15-4418	75R89752Q
QP7H15-4421	RD-5-15309-OP
QP7H15-4425	75R81632Q
QP7H15-4432	75R81662Q
QP7H15-4604	75R81184Q
QP7H15-4639	75R8382Q
QP7H15-4644	75R84612Q
QP7H15-4696	75R8772Q
QP7H15-4705	75R81642Q
QP7H15-4713	75R81472Q
QP7H15-4715	75R84382Q
QP7H15-4716	75R8732Q
QP7H15-4717	75R7822Q
QP7H15-4731	RD-5-15314-OP
QP7H15-4745	75R8374Q
QP7H15-4759	RD-5-15315-OP
QP7H15-4761	75R81352Q
QP7H15-4776	75R81282Q
QP7H15-4792	RD-5-15313-OP
QP7H15-48025	75R89622Q
QP7H15-4815	75R84302Q
QP7H15-4816	75R81292Q
QP7H15-4818	75R84252Q
QP7H15-4819	75R81602Q
QP7H15-4821	75R84262Q
QP7H15-4883	75R81622Q
QP7H15-4891	75R81372Q
QP7H15-4892	75R81362Q
QP7H15-4893	75R81652Q
QPCL-0144	75R0072
QPCL-0147	75R0182
QPCL-0148	75R1412
QPCL-0149	75R1414
QPCL-0150	75R0274
QPCL-0152	75R0252

QUE	
QPCL-0155	75R0082
QPCL-0159	75R0262
QPCL-0165	75R4782
QPCL-0168	75R4792
QPF-0102	75R8510
QPF-0103	75R8515
QPF-0105	75R8505
QPF-0130	75R8520
PE2020Q	73R0552

REDMOND	
PE2075Q	RD-5-4387-OP
PE2425Q	73R0232
PE2480Q	73R0552
PE2525Q	73R0232
PF23058Q	73R4062
PF24121Q	73R0662
PF24171Q	73R0012
PF2425Q	73R0652
PF2480Q	73R0552
PF2608Q	73R0602
PF2610Q	73R4162
PF26122Q	73R4182
PF26126Q	73R4162
PF26137Q	73R0442
PF2615Q	73R4182
PF2624Q	RD-5-4387-OP
PF2625Q	73R0092
PF2628Q	73R0232
PF2638Q	73R4182
PF2644Q	73R0402
PF2645Q	73R0402
PF2646Q	73R4182
PF2666Q	73R0662
PF2690Q	73R0662
PF27001Q	73R4532
PF27058Q	73R0662
PF27069Q	73R0612
PF2716Q	73R0522
PF2770Q	73R4182
PF2809Q	73R4254
PF28111Q	73R4602
PF28153Q	73R4532
PF28157Q	73R0092
PF2847Q	73R0532
PF2865R	73R4504
PH24022Q	73R0512
PH24027Q	73R0432
PH24029Q	73R0962
PH24034Q	73R1002
PH24038Q	73R0222
PH24044Q	73R4204
PH26014Q	73R0532
PH28005R	73R4424
PJ2410Q	73R0622
PV23113Q	73R4182
PV24103Q	73R0332
PV24171Q	73R0012
PV2421Q	73R0522
PV2435Q	73R0502
PV2445Q	73R0404
PV2456Q	73R4202

CROSS REFERENCE

O.E.M. PART NUMBER CROSS REFERENCE

Convert Other Part Numbers to Red Dot Aftermarket Numbers

REDMOND	
PV2475Q	73R0332
PV26122Q	73R4182
PV2644Q	73R0402
PV28105R	73R4274
PV28109Q	73R4602
PV28110Q	73R4602
PV2811Q	73R4602
PV2870Q	73R4602

SANDEN	
4019	75R89792
4039	75R84292
4075	75R82312
4077	75R89502
4078	75R89632Q
4081	75R89652
4082	75R89622
4084	75R89632
4090	75R89662
4105U	75R89672
4108U	75R89682
4109U	75R89692
4117U	75R89702
4119	75R89612
4120	75R89712
4121U	75R89722
4208	75R89682
4271	75R8384
4285U1	75R89712
4286	75R89812Q
4286U1	75R89702
4300	75R81104
4301	75R81114
4302	75R81134
4303	75R81152
4304	75R81162
4305	75R81172
4321	75R84622
4326	75R9612
4347	75R9622
4370	75R89632Q
4391	75R89662
4398	75R89652
4417	75R81302
4417-9931	75R1842
4419	75R89462
4419-9931	75R1532
4420	75R89302
4421	75R81282
4422	75R81152
4424-9931	75R1532

SANDEN	
4426-9931	75R1532
4427-9931	75R1432
4428-9931	75R1832
4429	75R81212
4430	75R81232
4431	75R81262
4434	75R89422
4435	75R89424
4464	75R81472
4468	75R81184
4469	75R81192
4470	75R81202
4471	75R84172
4472	75R81212
4473	75R81232
4474	75R81252
4475	75R84212
4476	75R81262
4477	75R81262
4478	75R84112
4479	75R81274
4480	75R81492
4482	75R81282
4483	75R81292
4484	75R84312
4485	75R81302
4486	75R81152
4487	75R84594
4488	75R84182
4489	75R81334
4490	75R81762
4491	75R84192
4492	75R81352
4493	75R81362
4494	75R81372
4496	75R81172
4497	75R84132
4498	75R81402
4499	75R81412
4506	75R8384
4506-9920	75R5104
4507	75R8384
4508	75R83152
4509	75R81472
4510	75R8382
4511	75R8252
4513	75R8312
4514	75R83172
4515	75R8372
4516	75R8374
4519	75R8394

SANDEN	
4530	75R8322
4536	75R8332
4537	75R8354
4543	75R89622
4586	75R89692
4601-9931	75R1542
4602	75R81202
4603	75R81192
4604	75R81184
4608	75R81432
4609	75R84112
4611	75R81334
4611-9931	75R0194
4617	75R84532
4618	75R83132
4626	75R81582
4627	75R8422
4628	75R84512
4639	75R84492
4640	75R81274
4641	75R84562
4643	75R84552
4644	75R84492
4645	75R81452
4645-9931	75R0052
4646	75R81462
4647	75R81472
4652	75R8424
4652-9920	75R5114
4659	75R84482
4660	75R81482
4660-9931	75R1862
4661	75R81492
4663	75R81692
4664	75R84492
4665	75R81452
4666	75R81502
4667	75R81502
4667-9931	75R1842
4672	75R81512
4687	75R84152
4694	75R84362
4694-9931	75R1832
4695-9931	75R1532
4696	75R8772
4699	75R81532
4700	75R84372
4700-9931	75R4802
4704	75R84132
4704-9930	75R1542
4705-9931	75R1842

SANDEN	
4709	75R81552
4711	75R81482
4712	75R84662
4713	75R84312
4715	75R84382
4716	75R81762
4717	75R81652
4718	75R81172
4720	75R89762
4726	75R84594
4731	75R84292
4733	75R81362
4734	75R81262
4734-6010	75R1432
4734-6880	75R1842
4734-9931	75R1842
4735	75R84172
4736	75R84182
4739	75R81562
4740	75R84312
4752	75R84192
4752-9931	75R1832
4756	75R84212
4757	75R81372
4761	75R81352
4762	75R8464
4767	75R81152
4768	75R81412
4769	75R81114
4776	75R81282
4777	75R81652
4778	75R84382
4779	75R81692
4780	75R81672
4781	75R81592
4795	75R81104
4802	75R89682
4806	75R81402
4808	75R89632
4810	75R81162
4813	75R81402
4815	75R84302Q
4816	75R81292
4818	75R81302
4819	75R81232
4820	75R81612
4821	75R81212
4822	75R84622
4823	75R84452
4840	75R81134
4860	75R89312

CROSS REFERENCE

O.E.M. PART NUMBER CROSS REFERENCE

Convert Other Part Numbers to Red Dot Aftermarket Numbers

SANDEN	
4862	75R89334
4863	75R89344
4864	75R89352
4866	75R89354
4867	75R89364
4868	75R89372
4869	75R89382
4870	75R89374
4871	75R89384
4872	75R89392
4873	75R89332
4876	75R89412
4877	75R89474
4878	75R89414
4881	75R89484
4882	75R89314
4883	75R81622
4885	75R89642
4890	75R84382
4891	75R81372
4893	75R81652
4894	75R81672
4895	75R81682
4896	75R81692
491	75R81372
4919	75R81372
5072	75R82102
5073	75R82104
5407	75R8294
5424	75R81702
5428	75R8292
5429	75R8292
5724	75R81712
5725	75R81712
5728	75R81712
5742	75R81702
6372	75R89732
6504-6010	75R1542
6505-6010	75R1512
6506-6010	75R1512
6511-6010	75R0192
6511-6110	75R0192
6514-6210	75R0202
6519-3210	75R0204
6519-6210	75R0204
6519-6310	75R0202
6519-6410	75R1522
6520-6010	75R0042
6521-6210	75R1404
6522-6010	75R1862
6524-6010	75R0032

SANDEN	
6565-6210	75R1862
6593-6010	75R1532
6594-6010	75R1832
6626	75R81472
6627	75R8384
6629	75R83172
6631	75R8312
6634	75R8354
6661	75R8384
6664	75R8382
6665	75R8384
6671	75R8252
6672	75R8374
6673	75R8372
6674	75R8322
6676	75R8332
7409	75R81472
7409, 7621	75R8412
7621	75R81472
7731	75R81252
7731-9930	75R1432
7731-9931	75R1432
7739	75R81202
7739-9931	75R1512
7739-9935	75R1512
7803	75R83112
7804	75R81252
7819	75R8442
7822	75R81512
7860	75R8384
7866	75R8384
7867	75R81472
7888	75R8384
8013	75R81482
8017	75R8384
8018	75R81472
8023	75R8332
8024	75R81472
8030	75R8332
8031	75R81472
8042	75R8384
8045	RD-5-13208-0P
8077	75R8384
8103	75R81482
8104	75R84492
8105	75R84512
8107	75R81184
8108	75R81432
8109	75R81274
8126	75R8384
8144	75R89744

SANDEN	
8163	75R8384
8174	75R89742
8239	75R8384
8482	75R8292
8515-6410	75R0202
8515-6411	75R0202
8517-6010	75R0202
8517-6014	75R0202
8545-6011	75R1872
9033-9900	75R5005
9047-2050	75R5006
9103	75R8262
9119	75R8222
9120	75R81702
9122	75R8224
9139	75R81702
9285	75R8292
9313-6210	75R1404
9514	75R8342
9515	75R81692
9537	75R8272
9575	75R8232
9576	75R8234
9583	75R8342
9592	75R8352
9628	75R8222
9670	75R81754
9674	75R8214
9675	75R8232
9676	75R8234
9677	75R81702
9680	75R8222
9684	75R81754
9694	75R81702
324-19721	75R0222

SELTEC / VALEO	
435-55011	75R8612Q
435-55015	75R8614Q
435-55017	75R8544Q
435-55019	75R85932Q
435-55023	75R85632Q
435-55030	75R8542Q
435-55061	75R85734Q
435-55063	75R8532Q
435-55065	75R8632Q
435-55068	75R85832Q
435-55069	75R85732Q
435-55073	75R85714Q
435-55075	75R85032Q
435-55077	75R8552Q
435-55081	75R86134Q
435-55082	75R86152Q
435-55084	75R86162Q
435-55088	75R86172Q
435-55090	75R86194Q
435-55092	75R86182Q
435-55094	75R85332Q
435-55097	75R86092Q
435-55120	75R8702Q
435-55122	75R86132Q
435-56011	75R8712Q
435-56030	75R86202Q
435-56059	75R86222Q
435-56061	75R8634Q
435-56073	75R8664Q
435-56075	75R86212Q
488-45011	75R8612Q
488-45015	75R8614Q
488-45016	75R8614Q
488-45017	75R8544Q
488-45018	75R8612Q
488-45019	75R85932Q
488-45023	75R85632Q
488-45030	75R8542Q
488-45061	75R85734Q
488-45063	75R8532Q
488-45065	75R8632Q
488-45068	75R85832Q
488-45069	75R85732Q
488-45073	75R85714Q
488-45075	75R85032Q
488-45077	75R8552Q
488-45081	75R86134Q
488-45082	75R86152Q
488-45084	75R86162Q
488-45088	75R86172Q
488-45090	75R86194Q

CROSS REFERENCE

O.E.M. PART NUMBER CROSS REFERENCE

Convert Other Part Numbers to Red Dot Aftermarket Numbers

CROSS
REFERENCE

SELTEC / VALEO	
488-45092	75R86182Q
488-45094	75R85332Q
488-45097	75R86092Q
488-45120	75R8702Q
488-45122	75R86132Q
488-46011	75R8712Q
488-46030	75R86202Q
488-46059	75R86222Q
488-46061	75R8634Q
488-46073	75R8664Q
488-46075	75R86212Q
488-46234	75R89782Q
488-46500	75R8672Q
488-47244	75R86142Q
488-47246	75R86144Q
524-19718	75R0182
524-19721	75R1412
524-19724	75R0222
624-19709	75R0072
624-19718	75R0182
624-19719	75R1412
624-19720	75R1414
624-19723	75R0274
624-19724	75R0172
624-19725	75R0252
624-19732	75R0082
624-19736	75R0222
624-19740	75R1212
624-19749	75R0262
624-19751	75R0092
PM125	73R2102

SIEMENS	
PM205	73R2152
PM206	73R2242
PM215	73R2112
PM224	73R2202
PM240	73R2202
PM249	73R2122
PM260	73R2132
PM267	73R2142
PM275	73R2212
PM321	73R0552
PM322	73R0602
PM3300	RD-5-4387-0P
PM3306	73R0962
PM3307	RD-5-9102-0P
PM3308	73R0332
PM3311	73R0322
PM3312	73R0012
PM3318	73R0542
PM3341LL	73R3002
PM3345LL	73R3062
PM341	73R0232
PM342	73R0702
PM3450	73R0402
PM351	73R0152
PM3510	73R4182
PM3515	73R4602
PM3516	73R4202
PM3518	73R4322
PM354	73R0092
PM357	RD-5-4387-0P
PM3604	73R0532
PM3606	73R2262
PM3607	RD-5-9102-0P
PM3617	73R0522
PM3625	73R0092
PM3634	73R0402
PM3650	73R0522
PM3651	73R0522
PM367	73R0104
PM368	73R0522
PM3691	73R0502
PM3692	73R0422
PM3694	73R0432
PM370	73R0232
PM372	73R0702
PM373	73R0404
PM385	73R4062
PM389	73R4162
PM393	73R4102
PM769	73R1052
006-A40	73R5552

SPAL	
007-B56-32D	RD-5-12694-0P
008-B45-02	73R5534
011-B54-22	RD-5-12693-0P
17100137	RD-5-12721-0P
20601001	RD-5-13373-0P
20601006	RD-5-11202-0P
20602000	RD-5-12636-0P
20602009	71R1405
20602009 RESISTOR	71R1405
20604003	71R1404
20604003 RESISTOR	71R1404
20604004	71R1402
20604005	71R1403
20604006	71R1401
20604010	RD-5-13236-0P
20609005	RD-5-10641-0P
20609009	RD-5-12337-0P
20900002	72R3135
20900003	RD-5-12009-0P
20900018	72R3130
20900018R/20900018	72R3130
20900019	72R3140
20900019R	72R3140
30000065	73R5624
30000065 006-B39-22 (73R5624
30000075	73R5554
30000075 006-B40-22 (73R5554
30000076	RD-5-9204-3P
30000076 (006-B39-22 /	RD-5-9204-3P
30000099 006-A40-22 (73R5552
30000099 006-A40-22 (RAV	73R5552
30000099 006-A40	73R5552
30000125 (006-A39/22,	RD-5-9204-2P
30000126 006-A39-22 (RA	73R5622
30000185	RD-5-14943-0P
300003150	RD-5-12195-0P
30000452 008-A45-02	RD-5-8837-1
30000452/088A-45C	73R5642
30000454 008-B45-02	RD-5-8838-1P
30000454 008-B45-02	RD-5-8838-1P
30000463	73R5532
30000463 008-A45-02 (73R5532
30000464 008-B45-02 (RA3	73R5534
30000464 008-B45-02	73R5534
30000525	RD-5-11019-0P
30000525 / 009-A22-26D RP	RD-5-11019-0P
30000555	RD-5-11949-0P
30000555 009-A70	RD-5-11949-0P
30000556	RD-5-13372-0P
30000559 009-A70-74D	RD-5-12801-0P

SPAL		
30000560	009-B7	RD-5-11977-0P
30000575		RD-5-13085-0P
30000576		RD-5-13607-0P
30001004		RD-5-14889-0P
30002100		RD-5-12673-0P
30002106		RD-5-10642-1P
30002106	006-A54-22	RD-5-10642-1P
30002163	006-A54-22 RA	RD-5-10642-0P
30002164	006-B54/I-22	RD-5-11893-0P
30002170		RD-5-10918-1P
30002227		RD-5-13611-0P
30003100	008-A45/	RD-5-8837-2P
30003115		73R5524
30003143	008-A54-02 RA	RD-5-12014-0P
30003150	008-A45/2C/I-02	RD-5-12195-0P
30003151	008-A45/2C-02	RD-5-12195-1P
30003152	008-A39-02 GR RP	RD-5-12358-0P
30003153		RD-5-12014-1P
30003156/008-A54/VLL-02RP		RD-5-12458-0P
30003161		73R5522
30003167		73R5524
30003177		RD-5-14171-0P
30003524	010-A70-74D R	RD-5-11954-0P
30005001		RD-5-11706-0P
30005002		RD-5-13387-0P
30005005		RD-5-13624-0P
30005007		RD-5-13095-0P
30006704	006-A39-22 R	73R5622
30006706	006-B40-22 RA3V	73R5554
30007017		RD-5-14115-0P
3010.0167		RD-5-8816-24P
30100320	VA11-AP7/C-575	RD-5-10010-0P
30100336		RD-5-14281-0P
30100344	VA07-BP7/C-31A	RD-5-9001-1P
30100350	VA10-BP9/C-25A	RD-5-8631-1P
30100358	VA14-AP7/C-34A	RD-5-9321-0P
30100364	VA09-AP8/C-27A	RD-5-8627-0P
30100375		RD-5-8631-0P

O.E.M. PART NUMBER CROSS REFERENCE

Convert Other Part Numbers to Red Dot Aftermarket Numbers

SPAL	
30100392	RD-5-9001-0P
30100392 FAN	RD-5-9001-0P
30100393 VA11-AP7/C-34S	RD-5-8759-0P
30100435	RD-5-8703-1P
30100455 VA11-BP12/C-57A	RD-5-8703-1P
30100456 VA11-BP12/C-57	RD-5-11597-0P
30100465 VA09-BP12/C-54A	RD-5-8627-1P
30100520 VA09-AP12/C-54A	RD-5-9018-0P
30100526	RD-5-9018-1P
30100588 VA11-AP7/C-57S	RD-5-10815-0P
30100608	RD-5-10930-0P
30100633 (VA07-AP12/C/I	RD-5-11790-0P
30100644	RD-5-13511-0P
30100646 VA09-BP12/C	RD-5-12218-0P
30100657 VA09-AP12/C/I-2	RD-5-12404-0P
30100658 VA09-BP12/C/I-2	RD-5-12404-1P
301010509	RD-5-12063-0P
30101516	RD-5-8785-0P
30101539	RD-5-12063-1P
30101823 VA18-BP51/C	RD-5-8785-1P
30101837	RD-5-12683-0P
30102025 VA01-AP70LL-36S	RD-5-9076-0P
30102038	RD-5-8747-0P
30102048	RD-5-13593-0P
30102049	RD-5-11897-0P
30102049 (VA18-AP71/LL-5	RD-5-11897-0P
30102051	RD-5-13259-0P
30102081	RD-5-14425-0P
30102540	RD-5-13739-0P
30102545	RD-5-8747-3P
30102546 VA01-BP70/LL-36S	RD-5-9076-1P
30102554	73R8624
30102557 VA15-BP70/LL-39	RD-5-12174-1P
30102571	RD-5-12599-0P
30102638	RD-5-13425-0P
30102673	RD-5-14365-0P

SPAL	
30102679	RD-5-14364-0P
30102680	RD-5-14297-0P
30102681	RD-5-13891-0P
30104044(VA18BP71/VLL/M/I	RD-5-12428-0P
30107005	RD-5-13595-0P
30107049	RD-5-14038-0P
30130014	RD-5-10026-0P
30130017	RD-5-8636-0P
30130017 MTG BRACKET	RD-5-8636-0P
RD-5-13724-0	RD-5-13724-0P
RD-5-14425-1	RD-5-14425-1P
VA02-AP70-40A	RD-5-12566-0P
VA03-BP50 30101838	RD-5-12790-0P
VA07-BP7/C-31A	RD-5-9001-1P
VA-10-APG-61A	RD-5-9056-0P
VA10-BP9/C-25A	73R8584
VA10-BPI-61A	RD-5-9057-0P
VA15-BP70/LL (30102544)	RD-5-11931-0P
RD-5-11931-0P	
VA18-AP71/LL-59A 30102049	RD-5-11897-1P
RD-5-11897-1P	

TCCI	
024-25244	75R0502
024-25410	75R0612
14192	75R0422
14304	75R0512
2035274C1	75R1342
231005	75R0512
332334	75R4502
4424-9931	75R4812
501075	75R4534
501076	75R4734
501939	75R0422
502400	75R4652
502740	75R2402
508888	75R0402
511199	75R3502
515376	75R0662
515528	75R1342
520226	75R0612
522582	75R1302
522583	75R0522
522584	75R0682
ER209L-25195	75R7280
ER210L-20300	75R7280
ER210L-21001	75R7280
ER210L-21237	RD-5-8060-3P
ER210L-21549	75R7280
ER210L-21562	75R7280
ER210L-21569	75R7280
ER210L-21570	75R7280
ER210L-21573C	75R7280
ER210L-21907	75R7280
ER210L-25062	75R7280
ER210L-25149	75R7280
ER210L-25197	75R7280
ER210L-25427	75R7295
ES210L-25334	75R7300
ES210L-25334C	75R7300
ES210L-25338C	RD-5-14051-0P
ET209L-25184	75R7290
ET210L-21097	75R7290
ET210L-21160	75R7290
ET210L-21887C	75R7312
ET210L-21909	75R7290
ET210L-25007C	75R7312
ET210L-25053	75R7312
ET210L-25053C	75R7312
ET210L-25061	75R7290
ET210L-25063	75R7290
ET210L-25073C	75R7312
ET210L-25150	RD-5-8638-0P
ET210L-25182C	75R7362

TCCI	
ET210L-25186	75R7290
ET210L-25219C	75R7322
ET210L-25236C	75R7322
ET210L-25237C	75R7322
ET210L-25240C	RD-5-14049-0P
ET210L-25245C	75R7332
ET210L-25246C	75R7332
ET210L-25248C	75R7312
ET210L-25404C	75R7362
ET210L-25405C	75R7342
ET210L-25406C	75R7352
ET210L-25407C	75R7312
ET210L-25428	75R7295
ET210L-25428C	75R7295
L50-2393	75R3002
L50-2400	75R4652
L50-2408	75R0152
L50-2409	75R0302
L50-2731	75R1652
L50-2743	75R3602
MA-6A	75R4734
MA-6AR	75R1202
MA-7A	75R4502
MAE-06A	75R1302
MAE-MG01	75R0682
MAE-MG07	75R0522
MA-N01	75R3502
MA-N02	75R1222
MA-N03D	75R0612
MA-N05	75R0662
MA-N06D	75R1342
T210L-21160	RD-5-8061-3P

CROSS REFERENCE

024-21590 75R0422

2604-4367 73R0022

O.E.M. PART NUMBER CROSS REFERENCE

Convert Other Part Numbers to Red Dot Aftermarket Numbers

THOMAS BUILT	
2606-2365	73R0552
2606-5366	73R0142
5200-3268	73R9062
6500-0439	73R0652
6600509	73R0142
8566-0007	73R4182
8566-0009	73R4312
8566-0050	73R7130
8566-0102	73R4182
8566-0125	71R1457
8566-0130	73R0022
8566-0226	73R0012
8566-0227	73R0642
8566-0237	78R5256
8566-0256	73R0022
8566-0297	73R4422
8566-0378	73R0142
8566-0439	78R5236
8566-0447	73R4322
85660643	78R5251
85660681	73R0032
ABP N83 301051	73R0052
ABP N83 301222	73R4312
ABP N83 301881	73R0142
BSM301252	73R4182
101300	73R0142

TRANS/AIR	
111051	71R2250
112019	71R1704
113006	71R1165
210019	71R8321
210035	71R8400
2112010	74R0485
212010	74R0485
212011	74R0906
212012	74R0460
212021	74R0480
2160080	RD-5-8705-0P
311006	78R0456SP
311007	78R0458SP
311008	78R0451SP
311009	78R0452SP
311020	78R8458SP
311021	78R8451SP
311022	78R8452SP
313042	70R4698
313093	70R4691
313349	70R8798
313353	70R8271
313354	70R8272
313356	70R8698
313358	70R8791
313392	70R8786
313393	70R8781
512024	75R8232
512041	75R8102
512048	75R8502
512049	75R8502
512059	75R81512
512068	75R8442
512074	75R8442
512075	75R85032
512076	75R85032
512078	75R8442
512080	75R81472
512083	75R86172Q
512085	75R81512
512086	75R8532
512087	75R86172Q
512088	75R86172Q
512089	75R84512
512097	75R84512
512101	75R8292
512108	75R81462
512119	75R8544
512120	75R8544
512125	75R85032
512129	75R8702

TRANS/AIR	
512130	75R8632
512149	75R8672Q
512208	75R86142Q
512219	75R86144Q
512226	75R89302
512242	75R89592Q
512265	75R86142Q
BLW-200-41	73R5772

TRIPAC	
102580	75R86132Q
41-6844	71R3160
41-6845	71R4511
41-7020	71R7050
41-7509	71R6280
61-3316	74R2586
61-3413	71R8301
61-3552	74R4208
61-6630	74R4208
67-2145	77R8370
67-2363	77R8370
67-2494	77R8370
781537	73R5532
781560	73R8582
925028	74R7210

TRUCK AIR	
01-0205	73R2102
01-0401	73R2152
01-0407	73R2212
01-0602	73R0402
01-0607	73R0662
01-0608	73R5562
01-0802	73R0352
01-0810	73R2102
01-0811	73R4252
01-0812	73R0702
01-0814	73R2232
01-0814 / 01-0815	73R2102
01-1000	73R4182
01-1001	73R4182
01-1203	73R0912
01-1400	73R4602
01-1401	73R0222
01-1600	73R1052
01-1603	73R3032
01-2000	73R4162
01-2002	73R0404
01-2004	73R0102
01-2005	73R0104
01-2012	73R4062
01-2014	73R4182
01-2015	73R0922
01-2016	73R2202
01-2020	73R4312
01-2021	73R0522
01-2601	73R0604
01-2602	73R0454
01-2605	73R0502
01-2607	73R4504
01-2608	73R4322
01-2609	73R0322
01-2610	73R0422
01-2611	73R0432
01-2612	73R0462
01-2614	73R4252
01-2615	73R0962
01-2616	73R0542
01-2617	73R0512
01-3001	73R4102
01-3005	73R0202
01-3008	73R0552
01-3009	73R0602
01-3011	73R0402
01-3014	73R9052
01-3017	73R9052
01-3018	73R0502
01-3019	73R0352

CROSS REFERENCE

O.E.M. PART NUMBER CROSS REFERENCE

Convert Other Part Numbers to Red Dot Aftermarket Numbers

TRUCK AIR	
01-3023	73R0352
01-3025	73R4104
01-3032	73R4252
01-3033	73R4254
01-3034	73R4202
01-3035	73R4204
01-3050	73R9062
01-3051	73R9054
01-3052	73R9052
02-0200	75R0202
02-0401	75R0152
02-0404	75R4732
02-0416	75R4702
02-0420	75R4742
02-0421	75R4752
02-0426	75R4762
02-0427	75R4722
02-0602	75R1532
02-0802	75R0402
02-0803	75R1222
02-0804	75R0612
02-0805	75R0662
02-0806	75R1342
02-1200	75R0152
02-1602	75R1832
02-1605	75R4052
02-2034	75R0182
02-2614	76R5000
02-3000	75R3452
02-3001	75R0452
02-3002	75R1202
02-3003	75R3502
02-3004	75R2402
02-3005	75R3002
02-3006	75R4352
02-3007	75R1652
02-3008	75R2852
02-3009	75R1802
02-3010	75R4352
02-3012	75R2552
02-3014	75R3602
02-3015	75R4652
02-3026	75R0302
02-3032	75R2702
02-3034	75R0172
02-3036	75R0222
02-3039	75R0182
02-3041	75R1422
02-3047	75R0274
02-3050	75R4534
02-3058	75R0082

TRUCK AIR	
02-3063	75R0192
02-3064	75R0202
02-3065	75R0202
02-3067	75R0204
02-3078	75R0042
02-3079	75R0042
02-3080	75R5005
02-3088	75R1402
02-3097	75R5102
02-3098	75R5104
02-3101	75R5200
02-3402	75R1202
02-3412	75R1302
02-3416	75R0522
02-3418	75R0682
02-3419	75R0512
02-3420	75R3454
02-3426	75R0302
02-3438	75R4792
02-3440	75R0262
02-3469	75R1402
02-3473	75R0204
02-3475	75R0042
03-0421	75R81252
03-0609	75R81302
03-0801	75R81192
03-0803	75R84622
03-1813	75R8184
03-1820	75R8102
03-1821	75R8102
03-3005	75R8282
03-3008	75R8212
03-3009	75R8214
03-3010	75R8222
03-3012	75R8224
03-3020	75R8342
03-3033E	75R7312
03-3036	75R8512
03-3037	75R8342
03-3045	75R8502
03-3051	75R6000
03-3056	75R8522
03-3059	75R8522
03-3065	75R8352
03-3070	75R8412
03-3084	75R8272
03-3085	75R8232
03-3086	75R8234
03-3333E	75R7322
03-3334E	75R7332
03-3402	75R7290

TRUCK AIR	
03-3405	75R8382
03-3409	75R8384
03-3410	75R8252
03-3415	75R8312
03-3416	75R8432
03-3421	75R8394
03-3436	75R8612
03-3442	75R8614
03-3444	75R8634
03-3445	75R8532
03-3446	75R8542
03-3455	75R8632
03-3470	75R84612
03-3480	75R8442
03-3485	75R8372
03-3486	75R8374
03-3489	75R8424
03-3490	75R8422
03-3536F	75R8512
03-3545	75R8502
03-3545F	75R8502
03-3556	75R8522
03-3559	75R8522
03-3636	75R8612
03-3642	75R8614
03-3644	75R8634
03-3645	75R8532
03-3646	75R8542Q
03-3655	75R8632
03-3784	75R8462
03-4000	75R6000
03-4001	75R6010
03-5006	75R6520
03-5006A	75R6520
03-5016	75R6510
03-5016A	75R6510
03-5036A	75R6500
03-6536	75R8515
03-6537	75R8505
03-6538	75R8520
03-6539	75R8510
03-6547	75R8507
04-0601	77R1100
04-0822	77R7000
04-1202	77R0150
04-1203	77R0560
04-1411	77R0665
04-1412	76R6120
04-1415	77R6950
04-1416	77R0705
04-1417	77R1335

TRUCK AIR	
04-1601	77R0950
04-1606	77R5270
04-1607	77R1175
04-2602	77R6800
04-2609	77R6900
04-2610	77R6200
04-2629	77R8200
04-2632	77R7900
04-2633	77R5910
04-2634	77R7800
04-2635	77R8100
04-2636	77R0650
04-2639	77R0800
04-2644	77R0350
04-2660	77R0500
04-2661	77R0100
04-2662	77R5250
04-2663	77R5350
04-2665	77R0700
04-2668	77R0250
04-2671	77R0900
04-2672	77R0620
04-2673	77R0660
04-3011	77R9010
05-1600	76R6810
05-2600	76R6300
05-2601	76R7100
05-2602	76R6600
05-2603	76R5500
05-2604	76R7400
05-2610	76R6110
05-2611	76R7050
05-2613	76R7500
05-2614	76R5000
05-2616	76R6700
05-2617	76R6950
05-2618	76R7700
05-2619	76R6310
05-2620	76R6350
05-2621	76R6850
05-2622	76R6180
05-2623	76R6500
05-2626	76R6120
05-2627	76R6150
05-2630	76R7520
05-2632	76R5600
05-2633	76R7510
05-2634	76R6000
05-2635	76R7010
06-3111	73R4424
07-0203	74R5050

CROSS REFERENCE

O.E.M. PART NUMBER CROSS REFERENCE

Convert Other Part Numbers to Red Dot Aftermarket Numbers

CROSS
REFERENCE

TRUCK AIR	
07-0206	74R5050
07-0206A	74R5050
07-0207	74R5600
07-0400	74R2406
07-0400A	74R2406
07-0426	74R3316
07-0428	74R3316
07-0429	74R3316
07-0429A	74R3316
07-0440A	74R3316
07-0600	74R2706
07-0600A	74R2706
07-0601	74R1706
07-0602A	74R0906
07-0603	74R2556
07-0603/07-1200	74R2556
07-0603A	74R2556
07-0604	74R2606
07-0604A	74R2606
07-0607A	74R3331
07-0609A	74R3310
07-0800	74R3156
07-0801	74R3450
07-0801A	74R3450
07-0804A	74R3476
07-0810A	74R4016
07-0811	74R4006
07-0811A	74R4006
07-0813	74R4016
07-1001	74R3306
07-1001A	74R3306
07-1002	74R2706
07-1002A	74R2306
07-1003	74R2306
07-1003A	74R2306
07-1004	74R2526
07-1005A	74R3356
07-1200	74R2556
07-1201	74R3056
07-1201A	74R3056
07-1202	74R1856
07-1204	74R3466
07-1204A	74R3346
07-1205	74R3076
07-1205A	74R3076
07-1206A	74R3346
07-1401A	74R2616
07-1405A	74R5050
07-1601	74R0906
07-1602	74R3066
07-1602A	74R3136

TRUCK AIR	
07-1603	74R3106
07-1605	74R2676
07-1605A	74R3136
07-1607A	74R1406
07-1804	74R0450
07-2003	74R2556
07-2003A	74R2526
07-2603	74R2106
07-2603A	74R2106
07-2604	74R1756
07-2604A	74R1756
07-2610	74R1956
07-2610A	74R1956
07-2611	74R1906
07-2611A	74R1906
07-2613	74R2586
07-2613A	74R2586
07-2614	74R2596
07-2614A	74R2596
07-2616	74R1806
07-2616A	74R1806
07-2618	74R1856
07-3027	70R3800
07-3028	70R3800
07-3054A	74R0460
07-3095	70R3500
07-3097	70R3550
07-3098	70R3590
07-3099	70R3530
07-5002	74R4116
07-5002A	74R4116
07-5014	74R3506
07-5015	74R3516
07-5019A	74R1106
07-5020A	74R2556
07-5021	74R3516
07-5021A	74R3516
07-5022	74R3526
07-5023	74R3526
07-5023A	74R3526
07-5026	74R3536
07-5026A	74R3536
07-5029A	74R4116
07-5032A	74R4206
07-5038A	74R4116
07-5040A	74R4116
07-5041A	74R0470
07-5048A	74R4116
08-3000B	70R2016
08-3000BS	70R2016S
08-3001B	70R1501

TRUCK AIR	
08-3001BS	70R2018S
08-3002B	70R2011
08-3002BS	70R2011S
08-3003B	70R2012
08-3003BS	70R2012S
08-3004B	70R2036
08-3004BS	70R2036S
08-3005B	70R2038
08-3006B	70R2031
08-3009	70R3006
08-3010B	70R4006
08-3010BS	70R4006S
08-3011BS	70R4008S
08-3012BS	70R4001S
08-3013BS	70R4002S
08-3017B	70R2406
08-3018B	70R2408
08-3019B	70R2401
08-3021B	70R2066
08-3021BS	70R2066S
08-3022B	70R2068
08-3022BS	70R2068S
08-3023B	70R2061
08-3024BS	70R2062S
08-3025	70R2096
08-3025B	70R2096
08-3026B	70R2098
08-3027	70R2091
08-3027B	70R2091
08-3028	70R2092
08-3028B	70R2092
08-3053	75R5718
08-3054	75R5711
08-3061B	70R4106
08-3062B	70R4108
08-3063B	70R4101
08-3069	70R3008
08-3070	75R5700
08-3076	75R5700
08-3084	75R5575
08-3097	70R3550
08-3099	70R3001
08-3139	75R5668
08-3140	75R5661
08-3151	75R5658
08-3152	75R5621
08-3249	75R5628
08-3250	75R5651
08-3349	75R5618
08-3350	75R5601
08-3421B	70R2076

TRUCK AIR	
08-3421BR	70R9076S
08-3421BS	70R2076S
08-3422B	70R2078
08-3422BR	70R9078S
08-3422BS	70R2078S
08-3423B	70R2071
08-3423BR	70R9071S
08-3423BS	70R2071S
08-3424B	70R2072
08-3424BS	70R2072S
08-3477B	75R5721
08-3478B	75R5678
08-3479B	75R5671
08-3480B	75R5672
08-3481	75R5688
08-3481H	75R5688
08-3482	75R5681
08-3482H	75R5681
08-3483	75R5698
08-3483H	75R5698
08-3484	75R5691
08-3484H	75R5691
08-3487	75R5648
08-3491	75R5648
08-3491H	75R5648
08-3492	75R5641
08-3494	75R5731
08-3910BS	70R4096S
08-3911BS	70R4098S
08-3912BS	70R4091S
08-3913BS	70R4092S
08-3961B	70R4546
08-3962B	70R4198
08-3963B	70R4191
08-4061B	70R4206
08-4062B	70R4208
08-4063B	70R4201
08-4064B	70R4202
08-4071B	70R4606
08-4073B	70R4608
08-4961B	70R4296
08-4962B	70R4298
08-4963B	70R4291
08-4964B	70R4292
08-4971B	70R4696
08-4975B	70R4691
08-5021B	70R4006
08-5051B	70R4506
08-5051BS	70R4506S
08-5052B	70R4508
08-5052BS	70R4508S

O.E.M. PART NUMBER CROSS REFERENCE

Convert Other Part Numbers to Red Dot Aftermarket Numbers

TRUCK AIR	
08-5053B	70R4501
08-5053BS	70R4501S
08-5054B	70R4502
08-5057	70R5100
08-5061B	70R4306
08-5061BS	70R4306S
08-5062B	70R4308
08-5062BS	70R4308S
08-5063B	70R4301
08-5063BS	70R4301S
08-5064B	70R4302S
08-5064BS	70R4302S
08-5461B	70R4346
08-5461BS	70R4346S
08-5462B	70R4348
08-5462BS	70R4348S
08-5463B	70R4341
08-5463BS	70R4341S
08-5464B	70R4342
08-5464BS	70R4342S
08-5951B	70R4596
08-5951BS	70R4596S
08-5952B	70R4598
08-5952BS	70R4598S
08-5953B	70R4591
08-5953BS	70R4591S
08-5961B	70R4396
08-5961BS	70R4396S
08-5962B	70R4398
08-5962BS	70R4398S
08-5963B	70R4391
08-5963BS	70R4391S
08-5964B	70R4392
08-5974BS	70R4392S
08-6031	70R7006
08-6031B	70R7006
08-6031BR	70R9906S
08-6032BR	70R9908S
08-6032BS	70R7008S
08-6033BR	70R9901S
08-6033BS	70R7001S
08-6034BS	70R7002S
08-6061B	70R4406
08-6061BS	70R4406S
08-6062B	70R4408
08-6062BS	70R4408S
08-6063B	70R4401
08-6063BS	70R4401S
08-6064B	70R4402
08-6064BS	70R4402S
08-6071B	70R4606

TRUCK AIR	
08-6071BS	70R4606S
08-6072B	70R4608
08-6072BS	70R4608S
08-6074B	70R4601
08-6074BS	70R4601S
08-6075B	70R4601
08-6461B	70R4446
08-6461BS	70R4446S
08-6462B	70R4448
08-6462BS	70R4448S
08-6463B	70R4441
08-6463BS	70R4441S
08-6464B	70R4442
08-6931B	70R6496
08-6931BR	70R9996S
08-6931BS	70R6496S
08-6932BR	70R9998S
08-6932BS	70R6598S
08-6933BR	70R9991S
08-6933BS	70R6491S
08-6937BS	70R9091S
08-6961B	70R4496
08-6961BS	70R4496S
08-6962B	70R4498
08-6962BS	70R4498S
08-6963B	70R4491
08-6963BS	70R4491S
08-6964B	70R4492S
08-6973B	70R4698
08-6974	70R4691
08-6974B	70R4691
08-6974BS	70R4691S
08-6975B	70R4696
08-6975BS	70R4696S
08-6976	70R4696
08-6985B	70R4996
08-6986B	70R4998
08-6987B	70R4991
08-7001	70R1306
08-7002	70R1308
08-7003	70R1301
08-7011	70R1406
08-7012	70R1408
08-7013	70R1401
08-7901	70R1396
08-7902	70R1398
08-7903	70R1391
08-7911	70R1496
08-7912	70R1498
08-7913	70R1491
08-8010	70R3008

TRUCK AIR	
08-8036	75R5806
08-8038	75R5808
08-8040	75R5801
08-8042	75R5802
08-8057	70R5100
08-8106	70R3206
08-8108	70R3208
08-8118	70R3256
08-8130	70R2306
08-8131	70R2301
08-8132	70R2206
08-8133	70R2201
08-8400	75R5827
08-8401	75R5825
08-8402	75R5815
08-8411	75R5510
08-8412	75R5814
08-8490	75R5829
08-8491	75R5819
08-8492	75R5820
09-2512	78R0070
09-3302	70R5708
09-3303	70R5701
09-3304	70R5770
09-3312	74R7220
09-4200	78R0200
09-4250	78R0250
09-4300	78R0300
09-4350	78R0350
09-5006	78R0406
09-5008	78R0408
09-5010	78R0401
09-5012	78R0452
09-5046	78R9456
09-5048	78R9458
09-5050	78R9451
09-5052	78R9452
09-5062	78R0100
09-5066	78R0456
09-5066SP	78R0456SP
09-5068	78R0458
09-5068SP	78R0458SP
09-5070	78R0451
09-5070SP	78R0451SP
09-5072	78R0452
09-5072SP	78R0452SP
10-0210	72R5070
10-0820	72R5080
10-2009	72R6510
10-2602	72R6400
10-2618	72R6420

TRUCK AIR	
10-2619	72R5200
10-2620	72R5210
10-2622	72R5270
10-2623	72R5260
10-2624	72R5270
10-2626	72R5220
10-2627	72R5230
10-2628	72R5240
10-2629	72R5250
10-2630	72R5280
10-2650	76R2600
10-2651	76R3400
10-2652	76R3450
10-2653	76R2220
10-2655	76R2300
10-2656	76R3900
10-2658	76R2210
10-2659	76R3250
10-2660	76R2320
10-2661	76R2400
10-2662	76R2350
10-2663	76R2700
10-2664	76R2340
10-2665	76R2300
10-2666	76R3930
10-2667	76R4000
10-2668	76R3300
10-2669	76R3460
10-3000	72R5040
10-3001	72R5050
10-3002	72R5070
10-3006	72R5060
10-3025	70R7310
10-3050	72R5500
10-3055	72R5600
11-0200	71R6150
11-0226	71R1450
11-0410	71R6095
11-0611	71R6110
11-0613	71R1455
11-0615	71R6110
11-0616	71R7075
11-0617	71R6210
11-0619	71R6210
11-0620	71R3150
11-0801	71R6090
11-0804	71R1460
11-0812	71R6070
11-0813	71R6070
11-0814	71R0480
11-0816	71R1620

CROSS
REFERENCE

O.E.M. PART NUMBER CROSS REFERENCE

Convert Other Part Numbers to Red Dot Aftermarket Numbers

CROSS
REFERENCE

TRUCK AIR		TRUCK AIR		TRUCK AIR		TRUCK AIR	
11-0817	71R6090	11-2656	71R6180	12-3020A	71R8210	18-2602	73R6151
11-0850	71R1922	11-2657	71R6160	12-3023	71R8400	18-2606	73R8050
11-0860	71R3300	11-2660	71R1802	12-3023A	71R8400	18-2608	73R6251
11-0861	71R3300	11-2682	71R0040	12-3024A	71R8310	18-2611	73R6300
11-1050	71R3160	11-2685	71R1520	12-3025	71R8080	18-2612	73R6350
11-1400	71R1922	11-3002	71R1722	12-3025A	71R8080	18-2613	73R7151
11-1404	71R1652	11-3004	71R1704	12-3026A	71R8410	18-2614	73R7101
11-1405	71R6040	11-3005	71R1902	12-3028A	71R8430	18-2615	73R7000
11-1605	71R2605	11-3006	71R1904	12-3034	71R8210	18-2616	73R6230
11-1608	71R1457	11-3010	71R6050	15-0306	79R1516	18-2617	73R6370
11-2015	71R6300	11-3012	71R6100	15-0308	79R1518	18-2619	73R7071
11-2016	71R6230	11-3013	71R6300	15-0310	79R1521	18-2622	73R7200
11-2018	71R6020	11-3050	71R1150	15-0312	79R1522	18-2640	72R3110
11-2023	71R6140	11-3052	71R1200	15-3016	79R3000	18-2641	72R3100
11-2027	71R6070	11-3053	71R1210	15-3201	79R1505	18-2642	72R3200
11-2028	71R6030	11-3055	71R0550	15-3205	79R1502	18-2643	72R3050
11-2033	71R1610	11-3056	71R0200	15-3216	79R1503	18-2644	72R2500
11-2039	71R0460	11-3075	71R2300	15-3231	79R1525	18-2645	72R2300
11-2600	71R0050	11-3076	71R2250	15-3237	79R1520	18-2647	72R2140
11-2601	71R0100	11-3078	71R2310	15-3246	79R9516	18-2649	72R2130
11-2602	71R0500	11-3079	71R2600	15-3248	79R9518	18-2660	71R4050
11-2604	71R0600	11-3084	71R3100	16-3007	79R4400	18-2662	71R4040
11-2605	71R0250	11-3085	71R2100	16-3042	75R5834	18-2663	71R4030
11-2606	71R0650	11-3086	71R2400	16-3045	75R5618	18-2690	78R5200
11-2607	71R0700	11-3091	71R2700	16-3046	75R5510	18-2691	78R5210
11-2608	71R0150	11-3093	71R2800	16-3082	79R4700	18-2692	78R5300
11-2609	71R0300	11-3094	71R3200	16-3145	75R5560	18-2693	78R5310
11-2610	71R0400	11-3095	71R2600	16-3146	75R5570	18-2694	78R5320
11-2611	71R1150	12-0211	71R8500	16-3147	70R5125	18-3000	73R7130
11-2613	71R1450	12-0220		16-3400	79R0330	18-3008	73R8080
11-2619	71R0020	12-0410	71R8503	16-3443	75R5565	18-3029	72R8200
11-2624	71R7550	12-0411	71R8350	16-4006	70R5056	18-3036	72R8250
11-2625	71R7500	12-0412A	71R8210	16-4008	70R5058	18-3038	72R7600
11-2627	71R7650	12-0415	71R8505	16-4010	70R5051	18-3067	72R8315
11-2628	71R7600	120416	71R8504	16-4018	75R5520	18-3075	72R8400
11-2630	71R7050	12-0620A	71R8455	16-4104	70R5057	18-3076	72R7700
11-2631	71R7000	12-0800A	71R8050	16-4106	70R5056	18-5001	75R6040
11-2637	71R1510	12-0801	71R8100	16-4108	70R5058	19-2600	72R0200
11-2638	71R1510	12-0801A	71R8100	16-4110	70R5051	19-2601	72R1100
11-2639	71R3550	12-0804	71R8420	16-4112	70R5052	19-2603	72R1502
11-2641	71R1900	12-1600A	71R8210	16-4140	70R5000	19-2604	72R1504
11-2642	71R6080	12-1601	71R8210	16-6003	79R4615	19-2605	72R0050
11-2644	71R0470	12-2011	71R8500	16-6011	79R4600	19-2606	72R0240
11-2645	71R1310	12-2012A	71R8301	16-6013	79R4605	19-2607	72R1200
11-2646	71R7100	12-3013	71R8050	16-6014	79R4615	19-2608	72R0070
11-2648	71R1654	12-3013A	71R8050	17-3000	79R4550	19-2609	72R0500
11-2650	71R2500	12-3016	71R9002	17-3416	79R4580	19-2610	72R1210
11-2652	71R6120	12-3016A	71R9002	17-3422	79R4580	19-2616	72R0610
11-2653	71R6130	12-3017	71R8100	17-4001	79R4655	19-2618	72R0190
11-2654	71R6140	12-3017A	71R8100	18-2010	73R8110	19-2619	72R1310
11-2655	71R6170	12-3020	71R8210	18-2600	73R6051	19-2620	72R0260

O.E.M. PART NUMBER CROSS REFERENCE

Convert Other Part Numbers to Red Dot Aftermarket Numbers

TRUCK AIR	
19-2621	72R0600
19-2626	72R1300
30-1809	75R8102
30-1810	75R8102
30-1813	75R8184
30-3004	75R7280
30-3418	75R84472
57-3492	75R84492

VALEO	
103-55011	75R8612Q
103-55015	75R8614Q
103-55017	75R8544Q
103-55019	75R85932Q
103-55023	75R85632Q
103-55030	75R8542Q
103-55061	75R85734Q
103-55063	75R8532Q
103-55065	75R8632Q
103-55068	75R85832Q
103-55069	75R85732Q
103-55073	75R85714Q
103-55075	75R85032Q
103-55077	75R8552Q
103-55081	75R86134Q
103-55082	75R86152Q
103-55084	75R86162Q
103-55088	75R86172Q
103-55090	75R86194Q
103-55092	75R86182Q
103-55094	75R85332Q
103-55097	75R86092Q
103-55120	75R8702Q
103-55122	75R86132Q
103-56011	75R8712Q
103-56030	75R86202Q
103-56059	75R86222Q
103-56061	75R8634Q
103-56073	75R8664Q
103-56075	75R86212Q
103-57244	75R86142Q
103-57246	75R86144Q
103-68500	75R8672Q

VOLVO	
05-8025550	71R6426
05-8025564	71R6434
05-8025565	71R6408
088348-01	74R1427
088366-01	74R1406
103133	73R0402
1090171	71R1455
1091070	71R1455
1091071	71R1455
1092319	73R3032
1093286	73R3032
1110148	75R8222
1110151	75R1402
1110156	71R0200
1110162	71R3100
1110785	71R2300
1115395	73R3032
11164457	74R3325
1117232	71R2700
1117961	70R5056
1117962	70R5058
1117963	70R5051
1117964	72R5070
1117985	75R8212
1118116	75R1202
1118390	73R4532
1118408	71R3100
1118413	72R6530
1118414	72R6520
1118416	71R2605
1118425	71R1610
1210340	77R0585
1676901	73R0602
1696480	71R4050
1697519	76R6350
1697520	71R1450
1697521	71R0200
1697525	71R2250
1707646	73R0552
1739287	71R2605
176100	73R0552
176101	73R4182
176102	73R4322
176104	73R2212
176110	73R2102
176113	73R0502
176114	73R0232
176115	73R2152
176117	73R0422
176118	73R4062
176124	73R4602

VOLVO	
176127	73R0202
176129	73R0432
176130	73R0322
176131	73R4252
176132	73R0962
176133	73R0662
176135	73R0062
176136	73R0522
176139	73R4322
176140	73R3002
176141	73R4182
176153	77R0900
176154	77R7900
176155	77R5350
176158	77R7708
176166	76R7050
176167	76R6150
176169	76R6310
176171	76R5000
176172	76R6700
176173	76R6950
176174	76R6180
176175	76R6180
176177	76R5600
176178	76R6000
176179	76R6850
176180	76R7510
176181	76R6140
176182	76R6300
176183	76R7070
176184	76R7010
176185	71R8080
176186	71R8321
176188	71R8080
176190	71R8050
176197	76R2600
176199	76R3250
176202	76R2350
176203	76R3400
176204	76R3460
176207	76R2210
176209	76R3300
176213	76R1900
176216	71R6095
176220	71R6230
176222	71R6120
176223	71R6257
176225	71R7650
176226	71R6040
176227	71R6030
176228	71R6300

103-46500 75R8672Q

02-7010496 75R1652

CROSS REFERENCE

O.E.M. PART NUMBER CROSS REFERENCE

Convert Other Part Numbers to Red Dot Aftermarket Numbers

CROSS
REFERENCE

VOLVO		VOLVO		VOLVO		VOLVO	
176229	71R6020	176329	75R2402	176565	74R5050	3047550	73R5592
176230	71R6070	176330	75R4502	176566	70R5020	3086000	77R1100
176232	74R2106	176333	75R0232	176567	73R0032	3093016	71R1610
176233	74R2606	176339	76R7400	176568	71R8100	3093404	73R2222
176234	74R3310	176349	76R3930	176569	71R1702	3093407	71R8505
176235	74R3309	176351	75R8322	176570	74R3450	3093408	70R2091
176236	74R3330	176353	75R8442	176571	73R1052	3093409	70R4608
176237	74R3306	176354	75R8342	176572	73R0912	3093411	71R0400
176238	74R3056	176355	74R2556	176573	71R1210	3093417	75R0502
176239	74R3346	176362	72R6520	176575	74R1806	3093418	75R1302
176240	74R3322	176369	75R5628	176576	79R0020	3093419	71R7075
176241	74R2556	176370	75R5651	176577	71R9002	3093421	71R7077
176242	74R3156	176378	75R5698	176791	72R6410	3093422	71R3100
176243	74R2676	176381	75R5681	203038	73R3032	3093425	73R2102
176245	74R2616	176382	75R5560	203090	73R4532	3093431	71R3155
176246	74R1956	176383	75R5570	203095	73R0442	3093562	71R8090
176248	74R2676	176384	75R5641	203136	73R1052	3093574	71R8503
176249	71R1922	176386	75R5688	203179	73R4062	3093575	71R8510
176252	71R1702	176387	75R5648	20357157	75R81362	3093576	71R8501
176255	71R1460	176389	75R5808	20357741	71R6571	3093577	71R8506
176257	71R0480	176390	75R5801	20370289	75R81652	3093578	71R8504
176262	71R0450	176392	75R5738	20370290	75R89702	3094341	71R3155
176265	71R0550	176393	75R5621	20370291	75R81692	3095728	73R6101
176266	71R0100	176394	75R5608	20370292	75R81582	3095830	75R7312
176267	71R0050	176395	75R5611	20370293	75R81592	3096305	75R7322
176269	71R8090	176398	75R5658	203757157	75R81362	3099154	71R4030
176272	71R2250	176432	73R4162	20388777	75R81362	3099389	75R1842
176273	71R3100	176455	75R4502	20388778	75R81362	3099497	71R6576
176274	71R2305	176457	75R1402	20395054	75R84452	3099727	73R9062
176275	71R2250	176458	75R2702	20407203	74R1427	3099731	73R9052
176276	71R2250	176459	75R1802	20407205	74R1406	3099733	73R9082
176281	72R5260	176461	75R4352	20435801	RD-5-12354-0P	3102744	71R1150
176282	71R8321	176463	75R0182	20437760	71R6424	3105089	73R0702
176283	71R8100	176464	75R1412	20443846	76R7745	31160-7760	75R4502
176285	71R9002	176465	75R0222	20447319	74R1427	3130684	71R1457
176286	71R9002	176466	75R0182	20461065	77R0585	3130714	74R2676
176287	71R1702	176467	75R1412	20501067	75R81362	3131105	72R6530
176290	71R1704	176468	75R3454	20501069	75R81372	3134059	71R6460
176292	71R0500	176469	75R4734	20514024	75R81622Q	3134241	71R1457
176298	71R1620	176470	75R0452	20579810	71R6571	3441124	74R1756
176305	72R0070	176491	73R8320	20826-0003	72R1502	3915392	70R2301
176307	71R2700	176495	73R8080	20826-1301	72R0220	3916160	75R8292
176311	74R2536	176517	75R5728	20826-1379	72R0070	3916181	71R8410
176313	75R0202	176526	75R5718	20826-1383	72R0050	3916189	77R7702
176314	75R0202	176527	75R5711	20956587	77R0585	3916191	71R0450
176317	75R0152	176533	72R8270	21095290	77R0585	3916660	72R6400
176319	75R2552	176534	72R8250	21349573	75R81372	3916661	71R3100
176320	75R3602	176535	72R8280	21814382	77R0585	3917742	79R4580
176321	75R1402	176536	75R5705	21814392	77R0585	3917896	79R0020
176327	75R0662	176537	75R5834	22314813	77R0585	3918037	RD-5-11157-0P
176328	75R4652	176552	75R5540	303127680	74R2406	3918038	71R6500

O.E.M. PART NUMBER CROSS REFERENCE

Convert Other Part Numbers to Red Dot Aftermarket Numbers

VOLVO	
3918100	71R8370
3918106	70R1498
3918107	70R1491
3918113	70R2201
3918114	70R2206
3918115	70R3590
3918135	70R3500
3918137	70R5000
3918138	75R5711
3918142	70R5100
3918203	75R5700
3918205	75R5718
3918210	70R2071
3918211	71R8100
3918212	71R1702
3918213	71R7600
3918214	71R7000
3918217	71R0470
3918219	71R8080
3918220	71R6070
3918221	72R0200
3918222	72R5210
3918225	72R7700
3918227	72R5050
3918228	72R0500
3918231	72R5050
3918233	72R3110
3918234	72R1200
3918237	72R2140
3918239	73R0512
3918241	73R0912
3918242	73R0532
3918244	73R9052
3918256	74R3306
3918258	74R2706
3918259	74R3450
3918260	74R1806
3918261	74R1856
3918263	74R1856
3918268	75R1202
3918270	75R81702
3918271	75R8292
3918272	75R8214
3918273	75R8232
3918274	75R8232
3918276	75R8502
3918277	75R8512
3918282	75R8372
3918287	75R8272
3918288	75R8612
3918290	77R6800

VOLVO	
3918295	77R0650
3918296	77R0950
3918297	77R1100
3918302	77R0530
3918308	78R0458SP
3918323	79R4585
3918587	79R4400
3919112	RD-5-5352-0P
3919193	71R6580
3919194	71R6600
3934379	71R6570
3934718	74R1427
3934725	71R6426
3939313	71R6563
3939314	71R6578
3939315	71R6566
3940177	71R6451
3942759	71R6430
3942809	71R6452
3942917	71R6454
3945232	75R0192
3945237	73R4532
3945302	75R8382
3945306	75R8222
3945484	75R0302
3945679	75R8522
3945766	73R5592
3946616	75R8422
3946673	71R8440
3946682	71R1722
3946686	73R5652
3946910	71R6480
3946911	71R6458
3946912	RD-5-11158-0P
3946914	71R6448
3946917	71R6510
3946918	71R6576
3947401	72R6520
3947416	73R0442
3947421	73R6253
3947428	70R5058
3947429	70R5056
3947430	70R5051
3947550	73R5592
3947555	73R0402
3948110	71R3502
3948111	73R0352
3948124	75R1832
3948130	73R0422
3948138	75R5611
3948139	75R5618

VOLVO	
3948140	75R1842
3948457	72R5500
3948460	72R5600
3948704	75R8252
3948741	71R6438
3948742	71R6442
3948743	71R6445
3948744	71R6426
3948745	71R6470
3948747	71R6426
3948749	71R6434
3949102	73R3052
3949112	71R1457
3949124	70R4196
3949125	70R2401
3949128	74R2667
3949129	74R3310
3949130	74R2306
3949131	74R3076
3949132	74R2706
3949133	71R1460
3949134	71R3150
3949135	71R3300
3949142	75R81472
3949144	79R4595
3949145	79R4561
3949146	79R4561
3949147	79R4561
3949148	79R4563
3949252	76R2400
3949253	76R2340
3949261	73R2102
3949262	73R0422
3949263	RD-5-4387-0P
3949265	73R0222
3949266	73R4182
3949269	74R0450
3949271	71R8500
3949274	73R6251
3949276	71R8080
3949277	71R8405
3949279	74R3306
3949280	74R3476
3949281	71R8370
3949282	71R2800
3949283	71R1460
3949284	71R3100
3949285	71R6183
3949286	71R6181
3949287	71R6405
3949289	71R0450

VOLVO	
3949290	71R1450
3949291	71R2200
3949292	75R0452
3949293	75R0402
3949294	75R1222
3949295	75R0612
3949296	75R1342
3949297	71R1722
3949301	71R1150
3949302	75R83112
3949303	75R83132
3949305	76R2320
3949307	76R6960
3949309	71R6050
3949310	74R3356
3949311	71R3100
3949312	75R1202
3949313	75R0302
3949315	71R0453
3949320	75R5565
3949322	78R0456
3949323	78R0458
3949324	78R0451
3949325	78R0452
3949328	70R4406
3949329	70R4408
3949330	70R4401
3949331	70R4402
3949332	70R7008S
3949333	70R7001S
3949337	70R6496S
3949338	70R7008S
3949339	70R6491S
39493392	73R7151
3949340	70R2076
3949341	70R2068
3949342	70R2061
3949343	70R2072
3949344	70R4306
3949345	70R4308
3949346	70R4301
3949347	70R4346
3949348	70R4348
3949349	70R4341
3949350	70R4342
3949351	70R4396
3949352	70R4398
3949353	70R4391
3949354	70R4392
3949355	70R4446
3949356	70R4448

CROSS
REFERENCE

O.E.M. PART NUMBER CROSS REFERENCE

Convert Other Part Numbers to Red Dot Aftermarket Numbers

CROSS
REFERENCE

VOLVO	
3949357	70R4441
3949358	70R4442
3949359	70R4496
3949360	70R4498
3949361	70R4491
3949362	70R44165
3949368	70R4996
3949369	70R4998
3949370	70R4991
3949382	79R1525
3949383	79R1520
3949386	73R0232
3949387	73R4322
3949393	76R6960
3949396	71R8400
3949397	71R8321
3949398	71R8415
3949451	79R4580
3949456	79R4600
3949457	79R4605
3949458	79R4605
3949459	79R4615
3949461	70R5020
3949462	70R5005
3949464	70R7006
3949466	70R4701
3949468	70R4201
3949469	70R4198
3949470	70R4291
3949471	70R2406
3949472	70R4191
3949473	70R4106
3949474	70R4101
3949475	70R4108
3949477	70R5057
3949479	75R7312
3949480	70R5056
3949483	70R5058
3949485	70R5051
3949486	70R5052
3949487	70R5052
3949488	70R5046
3949495	70R5042
3949499	75R5520
3949500	71R6450
3949501	71R6444
3949557	75R5200
3949558	75R5201
3949560	75R5500
3949562	75R5540
3949563	75R5540

VOLVO	
3949570	75R5829
3949571	75R5820
3949572	75R5819
3949575	75R5824
3949576	75R5815
3949577	75R5560
3949578	75R5556
3949579	79R1650
3949580	75R5565
3949581	75R5575
3949582	70R5120
3949583	70R5125
3949584	75R5512
3949585	75R5512
3949586	75R5827
3949589	70R5110
3949682	71R1702
3949850	75R7290
3949851	75R7280
3949881	71R8321
3949886	73R3022
3966805	71R6418
3994881	71R8370
4379-R97800P	R-9780-0P
4379-RD5115310P	74R1427
4379-RD554340P	RD-5-5434-0P
4939295	75R0612
4RD376M	RD-5-6532-72P
4RD377M	RD-5-3550-7.50P
559371	77R0950
60001-0060	73R0332
60001-5004	R-254-1P
60001-5006	R-255-1P
60003-5009	76R3000
60004-5005	76R6500
60004-5007	77R0950
60004-5008	76R6110
60009-0002	73R1052
60009-0004	73R1052
60009-0005	73R1052
60009-3201	73R1052
60009-5002	73R1052
60009-5003	RD-5-4387-0P
60009-5005	73R0602
60009-5009	73R0422
60009-5014	73R0502
60009-5015	73R0152
60009-5018	73R1052
60009-5020	73R0554
60009-5021	73R4102
60009-5022	73R0332

VOLVO	
60009-5023	73R4162
60009-5025	73R3032
60009-5041	73R0092
60009-5044	73R0092
60012-0011	71R8050
60012-5002	71R8100
60018-5002	72R6410
60018-5003	71R0600
60018-5007	71R1200
60042-3201	72R6420
60056-3801	72R2300
60058-3201	71R8090
60058-5002	71R8090
60101-3603	R-255-0P
60303-3802	71R5112
61018-5002	71R3100
61103-0004	75R4052
61103-0017	75R1202
61103-0019	75R2702
61103-0020	75R1202
61103-0024	73R9062
61103-0033	75R1302
61103-0055	75R0522
61103-3606	75R4502
61103-5002	75R1202
61104-0004	75R8292
61104-0012	75R8224
61104-0017	75R8292
61104-0028	75R8292
61104-3202	75R8422
61116-0002	75R5611
61203-0003	77R7900
61203-0012	77R1150
61203-0027	77R1175
61203-0029	77R5270
61203-0031	77R1150
61203-3001	77R0950
61203-3002	77R0950
61203-3003	77R7900
61203-3206	77R5270
61203-3207	77R5270
61203-3211	77R1175
61502-0047	70R2306
61502-0048	70R2301
61510-0001	74R2106
61510-0003	74R1756
61510-0006	74R2676
61510-0007	71R7550
61510-0008	74R3106
61510-001	74R1756
61510-006	74R3106

VOLVO	
61510-5004	74R1906
61510-5005	74R1706
61510-5006	74R1756
61510-5007	74R1906
61522-0006	71R7050
61522-0007	71R7550
61522-0022	71R7650
61522-3801	71R7500
61522-5004	71R1150
6521-6010	75R1402
688-21946	75R7290
701024	73R0552
7077922	74R2106
72403-0008	72R0100
72404-0020	72R0210
72404-0200	72R0210
80.136.00.039	72R5050
80.414.00.209	73R5592
80-136-00-039	72R5050
8020113	75R5678
8020114	75R5671
8020115	75R5672
8022507	75R81582
8025531	74R3107
8025550	71R6426
8025564	71R6434
8025565	71R6408
8036087	71R6425
8040088	71R6410
8040202	71R6420
8040225	71R6445
8040242P	71R6450
8040277	71R6455
8040277P	71R6455
8057396	R-7830-0P
8078261	74R1406
8080058	75R84372
8080059	75R81532
8080060	75R84362
8080569	75R81362
8082201	75R84382
8082268	75R81762
8082269	75R84382
8082270	75R81652Q
8084348	77R0585
8084398	77R0585
8088112	75R81372
815035	75R8424
8164872	75R8422
8167882	71R6456
8168292	71R6475

O.E.M. PART NUMBER CROSS REFERENCE

Convert Other Part Numbers to Red Dot Aftermarket Numbers

VOLVO	
8177089	75R81482
8177090	75R84492
817790	75R8382
82430083	RD-5-6532-72P
82430085	RD-5-3550-7.50P
82733985	74R1427
82781559	74R1427
83948743	71R6444
85100129	75R8252
85100141	74R4016
85100142	71R0487
85100146	79R4550
85100150	70R7200
85100164	73R2102
85100184	79R4550
85100242	79R3127
85100244	79R3125
85100261	79R8915
85100262	70R8806
85100263	70R8808
85100264	70R8801
85100265	70R8802
85100272	70R8828
85100274	70R8822
85100275	79R8920
85100276	79R8930
85100277	79R8931
85100278	78R8456
85100279	78R8458
85100280	78R8451
85100281	78R8452
85100282	70R8606
85100283	70R8706
85100285	70R8708
85100287	70R8701
85100288	70R8602
85100289	70R8206
85100290	70R8208
85100291	70R8201
85100292	70R8621
85100294	70R8646
85100298	70R8641
85100299	70R82511
85100300	70R8642
85100301	70R8696
85100302	70R8796
85100303	70R8648
85100304	70R8798
85100305	70R8691
85100306	70R8791
85100307	70R8692

VOLVO	
85100308	70R8096
85100309	70R8098
85100310	70R8198
85100311	70R8091
85100312	70R8761
85100333	70R8276
85100334	70R8278
85100335	70R8261
85100336	70R8271
85100337	70R8272
85100338	70R8068
85100339	70R8061
85100340	70R8062
85100341	70R8216
85100343	70R8211
85100430	70R8212
85100431	70R8296
85100432	70R8298
85100433	70R8291
85100434	70R8292
85100436	70R8598
85100437	70R8288
85100465	70R8306
85100466	70R8716
85100467	70R8308
85100480	70R8301
85100481	70R8711
85100482	70R8302
85100483	70R8006
85100484	70R8786
85100485	70R8008
85100486	70R8788
85100488	70R8002
85100489	70R8346
85100490	70R8341
85100492	70R8688
85100498	70R8398
85100523	75R8502
85100525	75R8522
85100526	75R8522
85100539	75R8612
85100540	75R8614
85100544	75R8542
85100546	75R8532
85100548	75R85032
85100552	75R85932
85100553	75R85832
85100559	75R8712
85100563	75R86202
85100567	75R8702
85100864	75R81452

VOLVO	
85100865	75R81462
85100866	75R81502
85100867	75R81512
85100868	75R84152
85100870	75R81262
85100871	75R84172
85100872	75R84182
85100873	75R84192
85100874	75R84212
85100875	75R81352
85100876	75R81282
85100879	75R0192
85100887	75R81452
85100888	75R81472
85100889	75R8322
85100995	71R8405
85100996	75R0682
85100998	71R0460
85101000	74R5060
85102561	72R6420
85102564	72R6420
85102943	70R2306
85103394	73R3062
85103395	73R3052
85103396	73R0412
85103438	71R6210
85104207	73R3122
85104467	75R81672
85104468	75R84312
85104592	75R81652Q
85104593	75R84382
85105256	75R1832
85105407	73R3032
85106633	70R3006
85106841	74R3327
85106850	75R4052
85107460	74R2667
85107848	74R3107
85107979	76R5711
85108215	73R0462
85108291	73R3002
85108572	71R6452
85108573	71R6430
85110643	70R8606
85110644	70R8706
85110645	70R8608
85110646	70R8708
85110647	70R8601
85110648	70R8701
85110649	70R8602
85110650	70R8646

VOLVO	
85110651	70R8648
85110652	70R8641
85110653	70R8642
85110654	70R8696
85110655	70R8796
85110656	70R8698
85110657	70R8798
85110658	70R8691
85110659	70R8791
85110660	70R8692
85110661	70R8091
85110662	70R8761
85110663	70R8092
85110665	70R8306
85110666	70R8716
85110667	70R8308
85110668	70R8301
85110669	70R8711
85110670	70R8302
85110671	70R8006
85110672	70R8786
85110673	70R8008
85110674	70R8788
85110675	70R8781
85110676	70R8002
85110677	70R8216
85110678	70R8218
85110679	70R8211
85110680	70R8212
85110681	70R8271
85110682	70R8272
85110683	70R8276
85110684	70R8278
85110685	70R8261
85110686	70R8096
85110687	70R8098
85110688	70R8198
85119564	75R84382
85123215	RD-5-11257-2P
85126010	RD-5-11256-2P
867405	72R6530
868079	71R1457
888384	73R0602
891422B	75R2402
892106	73R0522
892110	71R1150
892960A	75R3002
BOA80-136-00-039	72R5050
BOA80-321-00-169	71R8370
BOA80-321-00-209	71R8440
BOA80-414-00-209	73R5592

CROSS
REFERENCE

O.E.M. PART NUMBER CROSS REFERENCE

Convert Other Part Numbers to Red Dot Aftermarket Numbers

CROSS
REFERENCE

VOLVO	
BOA85-471-00-239	74R2536
BOAD0673	73R3032
BSM301101	73R0442
BSM319000	74R2106
BSM321000	71R1457
BSM323004	71R2605
BSM324145	72R6530
BSM611015	77R0950
BSM650117	71R2605
G2025806	71R1652
G2028503	71R0100
G2028504	71R0400
G2028505	71R2500
G2028506	71R1652
R-270-0-24P	R-270-0-24P
R-3540-2P	R-3540-2P
RD139120P	76R3925
RD262970P	76R2030
RD262980P	76R1880
RD265130P	76R7060
RD412536	71R2250
RD41880	71R9002
RD454620P	77R0580
RD468120P	77R1335
RD470170P	77R6982
RD470180P	77R1414
RD470400P	77R6995
RD5102060P	79R4650
RD5104960P	75R8752Q
RD5115260P	73R3082
RD5115790P	73R3072
RD5126230P	74R5097
RD5129750P	78R5008
RD5130680P	73R3132
RD5132060P	74R5401
RD5132160P	74R4210
RD5132210P	79R4587
RD5132250P	79R5035
RD5132260P	75R89602
RD5132270P	71R6145
RD5132280P	79R3129
RD5132300P	73R7135
RD5132330P	71R7073
RD5132340P	71R6155
RD5132350P	75R84302Q
RD5135400P	71R3579
RD5136040P	71R3584
RD5136050P	71R3572
RD5137840P	75R4812
RD5375724P	73R4204
RD545830	71R7550

VOLVO	
RD545850	71R7500
RD546200	71R7600
RD546250	71R7650
RD546400	71R7050
RD546460	71R7000
RD549370P	73R2102
RD-5-6868-0P	71R8301
RD578470P	76R7525
RD582570P	71R3300
RDH5105501P	70R8511
RDH5105541P	70R8348
RDH5105551P	70R8346
RDH5105561P	70R8341
RDH5105581P	70R8888
RDH5105601P	70R8086
RDH5105611P	70R8088
RDH5105621P	70R8071
RDH5105631P	70R8591
RDH5105641P	70R8201
RDH5105651P	70R8621
RDH5105661P	70R8208
RDH5105671P	70R8996
RDH5105681P	70R8998
RDH5105691P	70R8891
RDH5105701P	70R8066
RDH5105741P	70R8681
RDH5105751P	70R8688
RDH5105761P	70R8398
RDH5105771P	70R8598
RDH5105781P	70R8296
RDH5105791P	70R8298
RDH5105801P	70R8291
RDH5106911P	70R8248
RDH5106921P	70R8241
RDHR102300P	R-10230-0P
RDHR20006P	R-2000-6P
RDHR2100024P	R-2100-0-24P
RDHR21000P	R-2100-0P
RDHR21002P	R-2100-2P
RDHR254024P	R-254-0-24P
RDHR2540P	R-254-0P
RDHR2541P	R-254-1P
RDHR2544P	R-254-4P
RDHR25500P	R-2550-0P
RDHR255024P	R-255-0-24P
RDHR2550P	R-255-0P
RDHR2551P	R-255-1P
RDHR2554P	R-255-4P
RDHR2700	R-270-0P
RDHR270024P	R-270-0-24P
RDHR2700P	R-270-0P

VOLVO	
RDHR295024P	R-295-0-24P
RDHR2950P	R-295-0P
RDHR3144480P	RD-3-14448-0P
RDHR35001P	R-3500-1P
RDHR35402P	R-3540-2P
RDHR41229P	R-4122-9P
RDHR50404P	R-5040-4P
RDHR61000P	R-6100-0P
RDHR61600P	R-6160-0P
RDHR62601P	R-6260-1P
RDHR68300P	R-6830-0P
RDHR68400P	R-6840-0P
RDHR6900024P	R-6900-0-24P
RDHR78300P	R-7830-0P
RDHR82300P	R-8230-0P
RDHR85001P	R-8500-1P
RDHR88202P	R-8820-2P
RDHR95200P	R-9520-0P
RDHR97153P	R-9715-3P
RDHR97203P	R-9720-3P
RDHR9730024P	R-9730-0-24P
RDHR97300P	R-9730-0P
RDHR97550P	R-9755-0P
RDHR9757024	R-9757-0-24P
RDHR9757024P	R-9757-0-24P
RDHR97770P	R-9777-0P
RDHR97771P	R-9777-1P
RDHR9990424P	R-9990-4-24P
RDHR99904P	R-9990-4P
RDHRD101471P	76R2600
RDHRD102661P	76R3000
RDHRD102760P	RD-1-0276-0P
RDHRD102950P	RD-1-0295-0P
RDHRD102970P	76R2700
RDHRD103250P	76R3500
RDHRD103330P	76R2300
RDHRD103520P	RD-1-0352-0P
RDHRD103550P	76R1100
RDHRD103551P	76R1110
RDHRD103552P	76R1400
RDHRD103553P	76R1410
RDHRD103554P	76R1120
RDHRD103555P	76R1450
RDHRD103556P	RD-1-0355-6P
RDHRD103570P	RD-1-0357-0P
RDHRD103580P	RD-1-0358-0P
RDHRD103631P	RD-1-0363-1P
RDHRD103650P	RD-1-0365-0P
RDHRD103660P	RD-1-0366-0P
RDHRD103711P	76R2210
RDHRD103880P	76R3400

VOLVO	
RDHRD104110P	RD-1-0411-0P
RDHRD104190P	RD-1-0419-0P
RDHRD104220P	72R3601
RDHRD104230P	72R3603
RDHRD104250P	70R7600
RDHRD104260M	RD-1-0426-0M
RDHRD104260P	70R7650
RDHRD104270P	76R0500
RDHRD104340P	76R2220
RDHRD104400P	RD-1-0440-0P
RDHRD104550P	RD-1-0455-0P
RDHRD104601P	76R2500
RDHRD104950P	RD-1-0495-0P
RDHRD104951P	RD-1-0495-1P
RDHRD104961P	RD-1-0496-1P
RDHRD105200P	76R3450
RDHRD105330P	RD-1-0533-0P
RDHRD105500P	76R3300
RDHRD105520P	RD-1-0552-0P
RDHRD105630P	76R2400
RDHRD105740P	76R2350
RDHRD106000P	76R4000
RDHRD106050P	RD-1-0605-0P
RDHRD106151P	76R1900
RDHRD106160P	RD-1-0616-0P
RDHRD106390P	RD-1-0639-0P
RDHRD106420P	RD-1-0642-0P
RDHRD106500P	76R3250
RDHRD106610P	70R7270
RDHRD106612P	RD-1-0661-2P
RDHRD106613P	RD-1-0661-3P
RDHRD106617P	RD-1-0661-7P
RDHRD106619P	RD-1-0661-9P
RDHRD106620P	70R7170
RDHRD106622P	70R7175
RDHRD106650P	76R2450
RDHRD106800P	76R3900
RDHRD107000P	76R3910
RDHRD107150P	76R3460
RDHRD107220P	RD-1-0722-0P
RDHRD107230P	RD-1-0723-0P
RDHRD107260P	76R1000
RDHRD107430P	RD-1-0743-0P
RDHRD107440P	76R3930
RDHRD107460P	76R2730
RDHRD107520P	76R2330
RDHRD107521P	76R2340
RDHRD107550P	76R2320
RDHRD107711P	76R1510
RDHRD107932P	RD-1-0793-2P
RDHRD107934P	RD-1-0793-4P

O.E.M. PART NUMBER CROSS REFERENCE

Convert Other Part Numbers to Red Dot Aftermarket Numbers

VOLVO	
RDHRD107950P	70R7310
RDHRD107990P	76R1600
RDHRD108070P	RD-1-0807-0P
RDHRD108200P	76R2360
RDHRD108220P	76R2410
RDHRD108221P	RD-1-0822-1P
RDHRD108300P	76R1030
RDHRD108370P	RD-1-0837-0P
RDHRD108520P	RD-1-0852-0P
RDHRD108600P	78R5253
RDHRD108601P	78R5253
RDHRD108610P	RD-1-0861-0P
RDHRD109580P	76R2010
RDHRD109590P	RD-1-0959-0P
RDHRD1100480P	RD-11-0048-0P
RDHRD1100540P	77R9020
RDHRD1100551P	RD-11-0055-1P
RDHRD1100640P	RD-11-0064-0P
RDHRD1100690P	76R6050
RDHRD1100760P	RD-11-0076-0P
RDHRD1100922P	78R1705
RDHRD1101071P	RD-11-0107-1P
RDHRD1101090P	RD-11-0109-0P
RDHRD1101240P	RD-11-0124-0P
RDHRD1101250P	RD-11-0125-0P
RDHRD1101260P	RD-11-0126-0P
RDHRD1101280P	RD-11-0128-0P
RDHRD1101360P	RD-11-0136-0P
RDHRD1101380P	RD-11-0138-0P
RDHRD1101450P	RD-11-0145-0P
RDHRD1101550P	RD-11-0155-0P
RDHRD1101620P	RD-11-0162-0P
RDHRD1101700P	RD-11-0170-0P
RDHRD1101750P	RD-11-0175-0P
RDHRD110830P	RD-1-1083-0P
RDHRD110850P	RD-1-1085-0P
RDHRD110951P	RD-1-1095-1P
RDHRD111410P	RD-1-1141-0P
RDHRD112010P	76R2420
RDHRD112810P	76R3920
RDHRD113260P	76R2550
RDHRD113510P	76R3010
RDHRD113640P	76R3470
RDHRD113700P	76R3455
RDHRD113790P	76R1860
RDHRD114010P	76R1550
RDHRD114020P	RD-1-1402-0P
RDHRD114192P	72R6554
RDHRD114780P	76R4200
RDHRD114800P	76R1870
RDHRD114850P	76R1710

VOLVO	
RDHRD114960P	RD-1-1496-0P
RDHRD115450P	RD-1-1545-0P
RDHRD115451P	RD-1-1545-1P
RDHRD115700P	RD-1-1570-0P
RDHRD115910P	RD-1-1591-0P
RDHRD116030P	76R3420
RDHRD116140P	76R4300
RDHRD116510P	RD-1-1651-0P
RDHRD116540P	RD-1-1654-0P
RDHRD116561P	RD-1-1656-1P
RDHRD116700P	RD-1-1670-0P
RDHRD117461P	RD-1-1746-1P
RDHRD117480P	76R4020
RDHRD117550P	76R1560
RDHRD118960P	RD-1-1896-0P
RDHRD119190P	76R3950
RDHRD119650P	RD-1-1965-0P
RDHRD119750P	76R4305
RDHRD119800P	RD-1-1980-0P
RDHRD120060P	76R3465
RDHRD120230M	RD-1-2023-0M
RDHRD120230P	RD-1-2023-0P
RDHRD122460P	72R5355
RDHRD122550P	RD-1-2255-0P
RDHRD123330P	76R4100
RDHRD123820P	76R2160
RDHRD123830P	76R2150
RDHRD207500M	70R3006
RDHRD207640P	70R2700
RDHRD207816P	RD-2-0781-6P
RDHRD207817P	RD-2-0781-7P
RDHRD208511P	RD-2-0851-1P
RDHRD208610M	70R3008
RDHRD208630P	76R6600
RDHRD208712P	70R3906
RDHRD208722P	70R3901
RDHRD209190P	RD-2-0919-0P
RDHRD209211P	RD-2-0921-1P
RDHRD209610P	RD-2-0961-0P
RDHRD209860P	RD-2-0986-0P
RDHRD209931P	76R5200
RDHRD210011P	RD-2-1001-1P
RDHRD210170P	RD-2-1017-0P
RDHRD210510P	76R6500
RDHRD210600P	RD-2-1060-0P
RDHRD210671P	RD-2-1067-1P
RDHRD210710P	RD-2-1071-0P
RDHRD210720P	RD-2-1072-0P
RDHRD211210P	76R6300
RDHRD211211P	RD-2-1121-1P
RDHRD211212P	76R7100

VOLVO	
RDHRD211375P	76R6110
RDHRD211560P	76R6700
RDHRD211840P	RD-2-1184-0P
RDHRD211890P	RD-2-1189-0P
RDHRD211950P	76R5500
RDHRD212010P	RD-2-1201-0P
RDHRD212060P	RD-2-1206-0P
RDHRD212061P	RD-2-1206-1P
RDHRD212062P	RD-2-1206-2P
RDHRD212063P	RD-2-1206-3P
RDHRD212070P	RD-2-1207-0P
RDHRD212071P	RD-2-1207-1P
RDHRD212072P	RD-2-1207-2P
RDHRD212164P	RD-2-1216-4P
RDHRD212165P	RD-2-1216-5P
RDHRD212180P	RD-2-1218-0P
RDHRD212350P	RD-2-1235-0P
RDHRD212360P	RD-2-1236-0P
RDHRD212400P	RD-2-1240-0P
RDHRD212450P	RD-2-1245-0P
RDHRD212500P	RD-2-1250-0P
RDHRD212663P	RD-2-1266-3P
RDHRD212720P	76R6310
RDHRD212840P	RD-2-1284-0P
RDHRD212880P	RD-2-1288-0P
RDHRD212900P	RD-2-1290-0P
RDHRD212930P	RD-2-1293-0P
RDHRD212960P	RD-2-1296-0P
RDHRD212970P	RD-2-1297-0P
RDHRD212990P	RD-2-1299-0P
RDHRD213020P	RD-2-1302-0P
RDHRD213080P	RD-2-1308-0P
RDHRD213150P	RD-2-1315-0P
RDHRD213160P	76R6350
RDHRD213540P	RD-2-1354-0P
RDHRD213640P	76R7050
RDHRD213700P	76R7070
RDHRD213770P	RD-2-1377-0P
RDHRD213780P	RD-2-1378-0P
RDHRD213810P	76R6950
RDHRD213870P	RD-2-1387-0P
RDHRD213890P	RD-2-1389-0P
RDHRD213930P	RD-2-1393-0P
RDHRD213980P	RD-2-1398-0P
RDHRD214020P	76R6150
RDHRD214650P	RD-2-1465-0P
RDHRD214690P	RD-2-1469-0P
RDHRD214700P	76R7700
RDHRD214710P	RD-2-1471-0P
RDHRD214801P	76R6180
RDHRD214850P	76R6850

VOLVO	
RDHRD214870P	RD-2-1487-0P
RDHRD214940M	RD-2-1494-0M
RDHRD214950M	70R3001
RDHRD214991M	RD-2-1499-1M
RDHRD214991P	RD-2-1499-1P
RDHRD215011M	RD-2-1501-1M
RDHRD215011P	RD-2-1501-1P
RDHRD215020P	RD-2-1502-0P
RDHRD215021P	RD-2-1502-1P
RDHRD215100P	76R5000
RDHRD215390P	RD-2-1539-0P
RDHRD215480P	RD-2-1548-0P
RDHRD215481P	RD-2-1548-1P
RDHRD215550P	76R7500
RDHRD215900P	76R6140
RDHRD215970P	76R6000
RDHRD216070P	RD-2-1607-0P
RDHRD216100P	76R7010
RDHRD216160P	76R7520
RDHRD216330P	76R4900
RDHRD2164724P	RD-2-1647-24P
RDHRD2164730P	RD-2-1647-30P
RDHRD2164929P	RD-2-1649-29P
RDHRD216550P	76R7510
RDHRD216580P	76R6420
RDHRD2165926P	RD-2-1659-26P
RDHRD216600P	76R6120
RDHRD216630P	RD-2-1663-0P
RDHRD216640P	76R5300
RDHRD216690P	76R5600
RDHRD217320P	RD-2-1732-0P
RDHRD217350P	RD-2-1735-0P
RDHRD217550P	76R5520
RDHRD217580P	RD-2-1758-0P
RDHRD217660P	76R7550
RDHRD217670P	76R6030
RDHRD2178412P	RD-2-1784-12P
RDHRD218550P	RD-2-1855-0P
RDHRD218620P	76R6160
RDHRD218670P	76R7540
RDHRD218870P	RD-2-1887-0P
RDHRD218980P	76R6130
RDHRD218981P	RD-2-1898-1P
RDHRD219090P	76R5030
RDHRD220180P	RD-2-2018-0P
RDHRD220310P	RD-2-2031-0P
RDHRD220410P	RD-2-2041-0P
RDHRD220470P	76R4920
RDHRD220480P	73R5612
RDHRD220481P	73R5614
RDHRD221560P	RD-2-2156-0P

CROSS REFERENCE

O.E.M. PART NUMBER CROSS REFERENCE

Convert Other Part Numbers to Red Dot Aftermarket Numbers

CROSS REFERENCE

VOLVO	
RDHRD221580P	RD-2-2158-0P
RDHRD2216375P	RD-2-2163-75P
RDHRD221690P	RD-2-2169-0P
RDHRD221700P	RD-2-2170-0P
RDHRD223090P	RD-2-2309-0P
RDHRD223300P	RD-2-2330-0P
RDHRD224230P	76R7530
RDHRD224400P	76R7560
RDHRD224442P	RD-2-2444-2P
RDHRD224480P	RD-2-2448-0P
RDHRD224490P	RD-2-2449-0P
RDHRD2248466P	RD-2-2484-66P
RDHRD2248659P	RD-2-2486-59P
RDHRD224950P	76R6550
RDHRD225020P	76R6960
RDHRD225030P	76R6810
RDHRD2259528P	RD-2-2595-28P
RDHRD226420P	RD-2-2642-0P
RDHRD2265511P	RD-2-2655-11P
RDHRD2265513P	RD-2-2655-13P
RDHRD226931P	RD-2-2693-1P
RDHRD227010P	RD-2-2701-0P
RDHRD227201P	RD-2-2720-1P
RDHRD227450P	RD-2-2745-0P
RDHRD227620P	76R6430
RDHRD227751P	76R7020
RDHRD227800P	76R6655
RDHRD227910P	76R6015
RDHRD22813120P	RD-2-2813-120P
RDHRD2281576P	RD-2-2815-76P
RDHRD2281663P	RD-2-2816-63P
RDHRD2281767P	RD-2-2817-67P
RDHRD2282536P	RD-2-2825-36P
RDHRD228540P	RD-2-2854-0P
RDHRD228850P	76R5700
RDHRD228900P	RD-2-2890-0P
RDHRD228970P	76R7715
RDHRD228980P	RD-2-2898-0P
RDHRD229050P	RD-2-2905-0P
RDHRD229220P	RD-2-2922-0P
RDHRD229280P	76R6040
RDHRD229971P	RD-2-2997-1P
RDHRD230060P	RD-2-3006-0P
RDHRD230080P	76R7030
RDHRD230650P	RD-2-3065-0P
RDHRD230700P	76R6650
RDHRD231500P	RD-2-3150-0P
RDHRD231650P	RD-2-3165-0P
RDHRD231651P	RD-2-3165-1P
RDHRD232510P	76R5320
RDHRD232790P	RD-2-3279-0P

VOLVO	
RDHRD233000P	RD-2-3300-0P
RDHRD233200P	RD-2-3320-0P
RDHRD233210P	76R7570
RDHRD233950P	76R7580
RDHRD233980P	76R7710
RDHRD234100P	76R7720
RDHRD234130P	76R5820
RDHRD234160P	RD-2-3416-0P
RDHRD234180P	RD-2-3418-0P
RDHRD234190P	RD-2-3419-0P
RDHRD234250P	RD-2-3425-0P
RDHRD234540P	RD-2-3454-0P
RDHRD235150P	RD-2-3515-0P
RDHRD235241P	RD-2-3524-1P
RDHRD236290P	76R7725
RDHRD236730P	RD-2-3673-0P
RDHRD236740P	RD-2-3674-0P
RDHRD236830P	78R5291
RDHRD236930P	RD-2-3693-0P
RDHRD237651P	71R8910
RDHRD237730P	76R6070
RDHRD237751P	71R8915
RDHRD238280P	76R7507
RDHRD239010P	71R8600
RDHRD239230P	76R7450
RDHRD248441P	70R3908
RDHRD248451P	70R3912
RDHRD3101110P	RD-3-10111-0P
RDHRD3101120P	RD-3-10112-0P
RDHRD3101680P	RD-3-10168-0P
RDHRD3101910P	RD-3-10191-0P
RDHRD3101940P	76R3905
RDHRD3102100P	RD-3-10210-0P
RDHRD3102140P	RD-3-10214-0P
RDHRD3103310P	78R5301
RDHRD3103390P	RD-3-10339-0P
RDHRD3103580P	RD-3-10358-0P
RDHRD3104780P	RD-3-10478-0P
RDHRD3105380P	73R4532
RDHRD3105512P	71R8920
RDHRD3105513P	71R8925
RDHRD3105970P	RD-3-10597-0P
RDHRD3105980P	RD-3-10598-0P
RDHRD31061224P	73R0554
RDHRD310612P	73R0552
RDHRD31061324P	73R0604
RDHRD310613P	73R0602
RDHRD31061824P	73R0204
RDHRD310618P	73R0202
RDHRD310638P	73R6101
RDHRD310639P	73R6151

VOLVO	
RDHRD3109110P	RD-3-10911-0P
RDHRD311412P	RD-3-1141-2P
RDHRD311413P	RD-3-1141-3P
RDHRD312710P	RD-3-1271-0P
RDHRD31334P	73R0032
RDHRD31339P	73R8050
RDHRD313597P	71R5102
RDHRD313598P	71R5112
RDHRD313599P	RD-3-1359-9P
RDHRD3144480P	RD-3-14448-0P
RDHRD315662P	72R4530
RDHRD31695P	RD-3169-5P
RDHRD31846P	RD-3184-6P
RDHRD31947M	RD-3194-7M
RDHRD31961P	72R3510
RDHRD31963P	72R3530
RDHRD31965P	72R3550
RDHRD319780P	RD-3-1978-0P
RDHRD32001P	71R5052
RDHRD32002P	71R5062
RDHRD32006P	RD-3200-6P
RDHRD322200P	RD-3-2220-0P
RDHRD323070P	RD-3-2307-0P
RDHRD324152P	RD-3-2415-2P
RDHRD325470P	RD-3-2547-0P
RDHRD325471P	RD-3-2547-1P
RDHRD325572P	73R7151
RDHRD325920P	RD-3-2592-0P
RDHRD326130P	70R2720
RDHRD326520P	RD-3-2652-0P
RDHRD326521P	RD-3-2652-1P
RDHRD32670P	RD-3267-0P
RDHRD32671P	72R1100
RDHRD32702P	RD-3270-2P
RDHRD32703P	76R7400
RDHRD327881P	RD-3-2788-1P
RDHRD327882P	RD-3-2788-2P
RDHRD327883P	RD-3-2788-3P
RDHRD327884P	RD-3-2788-4P
RDHRD327886P	RD-3-2788-6P
RDHRD327887P	RD-3-2788-7P
RDHRD330310P	RD-3-3031-0P
RDHRD330500P	70R2710
RDHRD33120P	76R6400
RDHRD331211P	RD-3-3121-1P
RDHRD331221P	RD-3-3122-1P
RDHRD331222P	RD-3-3122-2P
RDHRD331280P	RD-3-3128-0P
RDHRD331314P	RD-3-3131-4P
RDHRD331331P	RD-3-3133-1P
RDHRD331740P	RD-3-3174-0P

VOLVO	
RDHRD331840P	RD-3-3184-0P
RDHRD332551P	RD-3-3255-1P
RDHRD333000P	RD-3-3300-0P
RDHRD333110P	RD-3-3311-0P
RDHRD333150P	RD-3-3315-0P
RDHRD333210P	RD-3-3321-0P
RDHRD333222P	RD-3-3322-2P
RDHRD333232P	RD-3-3323-2P
RDHRD334250P	RD-3-3425-0P
RDHRD334300P	RD-3-3430-0P
RDHRD334540P	74R7210
RDHRD335900P	RD-3-3590-0P
RDHRD337250P	RD-3-3725-0P
RDHRD337511P	71R5212
RDHRD337512P	RD-3-3751-2P
RDHRD337530P	RD-3-3753-0P
RDHRD337940P	RD-3-3794-0P
RDHRD338052P	RD-3-3805-2P
RDHRD338053P	RD-3-3805-3P
RDHRD338122P	RD-3-3812-2P
RDHRD338125P	RD-3-3812-5P
RDHRD338130P	RD-3-3813-0P
RDHRD338470P	RD-3-3847-0P
RDHRD339011P	RD-3-3901-1P
RDHRD339222P	RD-3-3922-2P
RDHRD339490P	RD-3-3949-0P
RDHRD339550P	RD-3-3955-0P
RDHRD339900P	RD-3-3990-0P
RDHRD339970P	RD-3-3997-0P
RDHRD340520P	RD-3-4052-0P
RDHRD340560P	RD-3-4056-0P
RDHRD340580P	RD-3-4058-0P
RDHRD340660P	RD-3-4066-0P
RDHRD340720P	RD-3-4072-0P
RDHRD340730P	RD-3-4073-0P
RDHRD340960P	RD-3-4096-0P
RDHRD340970P	RD-3-4097-0P
RDHRD341432P	RD-3-4143-2P
RDHRD342740P	RD-3-4274-0P
RDHRD343430P	RD-3-4343-0P
RDHRD343440P	RD-3-4344-0P
RDHRD343510P	RD-3-4351-0P
RDHRD344160P	RD-3-4416-0P
RDHRD344170P	RD-3-4417-0P
RDHRD344391P	RD-3-4439-1P
RDHRD344950P	RD-3-4495-0P
RDHRD344951P	RD-3-4495-1P
RDHRD346830P	RD-3-4683-0P
RDHRD346840P	RD-3-4684-0P
RDHRD347150P	RD-3-4715-0P
RDHRD347450P	RD-3-4745-0P

O.E.M. PART NUMBER CROSS REFERENCE

Convert Other Part Numbers to Red Dot Aftermarket Numbers

VOLVO	
RDHRD347840P	RD-3-4784-0P
RDHRD348040P	78R5310
RDHRD348120P	RD-3-4812-0P
RDHRD348122P	72R4531
RDHRD348143P	RD-3-4814-3P
RDHRD348270P	RD-3-4827-0P
RDHRD348271P	RD-3-4827-1P
RDHRD348280P	RD-3-4828-0P
RDHRD348281P	RD-3-4828-1P
RDHRD348291P	73R7071
RDHRD348310P	RD-3-4831-0P
RDHRD348850P	RD-3-4885-0P
RDHRD349000P	71R1252
RDHRD3490024P	71R1254
RDHRD350510P	RD-3-5051-0P
RDHRD350650P	78R5150
RDHRD350720P	RD-3-5072-0P
RDHRD351770P	RD-3-5177-0P
RDHRD351780P	RD-3-5178-0P
RDHRD352420M	RD-3-5242-0M
RDHRD352500P	RD-3-5250-0P
RDHRD352640P	RD-3-5264-0P
RDHRD352730P	RD-3-5273-0P
RDHRD352770P	RD-3-5277-0P
RDHRD352771P	RD-3-5277-1P
RDHRD352773P	RD-3-5277-3P
RDHRD352900P	RD-3-5290-0P
RDHRD353100P	RD-3-5310-0P
RDHRD353101P	RD-3-5310-1P
RDHRD353520P	RD-3-5352-0P
RDHRD353521P	RD-3-5352-1P
RDHRD353560P	RD-3-5356-0P
RDHRD353670P	RD-3-5367-0P
RDHRD353900P	RD-3-5390-0P
RDHRD353950P	RD-3-5395-0P
RDHRD353951P	RD-3-5395-1P
RDHRD354030P	RD-3-5403-0P
RDHRD354480P	RD-3-5448-0P
RDHRD355550P	RD-3-5555-0P
RDHRD357001P	RD-3-5700-1P
RDHRD357861P	RD-3-5786-1P
RDHRD357900P	RD-3-5790-0P
RDHRD358921P	RD-3-5892-1P
RDHRD359140P	RD-3-5914-0P
RDHRD359141P	RD-3-5914-1P
RDHRD359285P	RD-3-5928-5P
RDHRD359631P	RD-3-5963-1P
RDHRD359640P	RD-3-5964-0P
RDHRD359641P	RD-3-5964-1P
RDHRD360231P	RD-3-6023-1P
RDHRD360300P	RD-3-6030-0P

VOLVO	
RDHRD360380M	71R3570
RDHRD360600P	RD-3-6060-0P
RDHRD360620P	RD-3-6062-0P
RDHRD360621P	RD-3-6062-1P
RDHRD360751P	RD-3-6075-1P
RDHRD360780P	RD-3-6078-0P
RDHRD360781P	RD-3-6078-1P
RDHRD360820P	RD-3-6082-0P
RDHRD361000P	RD-3-6100-0P
RDHRD361620P	78R5330
RDHRD361991P	RD-3-6199-1P
RDHRD362640P	RD-3-6264-0P
RDHRD364010P	RD-3-6401-0P
RDHRD364011P	RD-3-6401-1P
RDHRD364060P	RD-3-6406-0P
RDHRD364070P	78R5251
RDHRD364080P	78R5370
RDHRD364684P	RD-3-6468-4P
RDHRD365500P	RD-3-6550-0P
RDHRD366152P	RD-3-6615-2P
RDHRD366240P	RD-3-6624-0P
RDHRD366492P	RD-3-6649-2P
RDHRD367200P	RD-3-6720-0P
RDHRD367341P	RD-3-6734-1P
RDHRD367350P	RD-3-6735-0P
RDHRD367401P	RD-3-6740-1P
RDHRD367441P	RD-3-6744-1P
RDHRD367671P	RD-3-6767-1P
RDHRD367700P	73R5502
RDHRD3677024P	73R5504
RDHRD368382P	RD-3-6838-2P
RDHRD369184P	RD-3-6918-4P
RDHRD369185P	RD-3-6918-5P
RDHRD369210M	RD-3-6921-0M
RDHRD369600P	RD-3-6960-0P
RDHRD370150P	RD-3-7015-0P
RDHRD370160P	RD-3-7016-0P
RDHRD370430P	RD-3-7043-0P
RDHRD370440P	RD-3-7044-0P
RDHRD370990P	78R5390
RDHRD371420P	RD-3-7142-0P
RDHRD371450P	RD-3-7145-0P
RDHRD371870P	RD-3-7187-0P
RDHRD372541P	RD-3-7254-1P
RDHRD373061P	RD-3-7306-1P
RDHRD373310P	78R5238
RDHRD373560P	RD-3-7356-0P
RDHRD373760P	RD-3-7376-0P
RDHRD373820P	RD-3-7382-0P
RDHRD373821P	RD-3-7382-1P
RDHRD373830P	RD-3-7383-0P

VOLVO	
RDHRD373831P	RD-3-7383-1P
RDHRD373850P	RD-3-7385-0P
RDHRD376460P	RD-3-7646-0P
RDHRD376900P	RD-3-7690-0P
RDHRD377670P	RD-3-7767-0P
RDHRD377990P	RD-3-7799-0P
RDHRD378220P	71R8310
RDHRD378320P	RD-3-7832-0P
RDHRD378330P	RD-3-7833-0P
RDHRD378380P	RD-3-7838-0P
RDHRD378381P	RD-3-7838-1P
RDHRD378382P	72R3010
RDHRD378383P	72R3020
RDHRD381300P	RD-3-8130-0P
RDHRD381821P	RD-3-8182-1P
RDHRD381871P	RD-3-8187-1P
RDHRD381920P	RD-3-8192-0P
RDHRD381931P	RD-3-8193-1P
RDHRD381941P	RD-3-8194-1P
RDHRD381961P	RD-3-8196-1P
RDHRD381970P	RD-3-8197-0P
RDHRD382260P	RD-3-8226-0P
RDHRD382710P	RD-3-8271-0P
RDHRD382730P	RD-3-8273-0P
RDHRD382741P	RD-3-8274-1P
RDHRD383500P	RD-3-8350-0P
RDHRD383501P	RD-3-8350-1P
RDHRD383541P	RD-3-8354-1P
RDHRD384170P	RD-3-8417-0P
RDHRD386350P	72R7000
RDHRD386352P	RD-3-8635-2P
RDHRD386380P	RD-3-8638-0P
RDHRD386570P	73R1002
RDHRD387050P	RD-3-8705-0P
RDHRD387090P	RD-3-8709-0P
RDHRD387110P	RD-3-8711-0P
RDHRD389890P	72R2120
RDHRD389990P	RD-3-8999-0P
RDHRD390010P	RD-3-9001-0P
RDHRD390670P	RD-3-9067-0P
RDHRD390950P	RD-3-9095-0P
RDHRD390951P	RD-3-9095-1P
RDHRD390961P	RD-3-9096-1P
RDHRD390970P	RD-3-9097-0P
RDHRD390990P	RD-3-9099-0P
RDHRD391011P	RD-3-9101-1P
RDHRD391350P	RD-3-9135-0P
RDHRD391360P	RD-3-9136-0P
RDHRD391370P	RD-3-9137-0P
RDHRD391420P	RD-3-9142-0P
RDHRD391520P	RD-3-9152-0P

VOLVO	
RDHRD391570P	RD-3-9157-0P
RDHRD391880P	RD-3-9188-0P
RDHRD392100P	RD-3-9210-0P
RDHRD392120P	RD-3-9212-0P
RDHRD392900P	73R5632
RDHRD3929024P	73R5634
RDHRD393790P	71R5600
RDHRD393791P	71R5605
RDHRD393880P	RD-3-9388-0P
RDHRD393881P	RD-3-9388-1P
RDHRD393890P	RD-3-9389-0P
RDHRD393901P	RD-3-9390-1P
RDHRD394050P	RD-3-9405-0P
RDHRD394060M	RD-3-9406-0M
RDHRD394881P	RD-3-9488-1P
RDHRD394932P	RD-3-9493-2P
RDHRD396080P	RD-3-9608-0P
RDHRD396640P	RD-3-9664-0P
RDHRD396750P	RD-3-9675-0P
RDHRD397060P	RD-3-9706-0P
RDHRD398050P	78R5243
RDHRD398551P	RD-3-9855-1P
RDHRD399300P	RD-3-9930-0P
RDHRD4058360P	79R4400
RDHRD41014P	RD-4101-4P
RDHRD41016P	RD-4101-6P
RDHRD41018P	RD-4101-8P
RDHRD41231P	71R0100
RDHRD412418P	72R7280
RDHRD412420P	72R7290
RDHRD412438P	72R7600
RDHRD412476P	72R7700
RDHRD412536P	71R2250
RDHRD412566P	71R2400
RDHRD41261P	71R8050
RDHRD41301P	70R7100
RDHRD41304P	RD-4130-4P
RDHRD41511P	71R0500
RDHRD41512P	71R0550
RDHRD41514P	71R0600
RDHRD41516P	71R0650
RDHRD41517P	71R0700
RDHRD4156108P	78R0350
RDHRD41601P	74R2106
RDHRD41700P	RD-4170-0P
RDHRD41720P	71R2310
RDHRD41761M	RD-4176-1M
RDHRD41762P	RD-4176-2P
RDHRD41770P	70R3206
RDHRD41790P	70R3208
RDHRD418024P	72R8190

CROSS REFERENCE

O.E.M. PART NUMBER CROSS REFERENCE

Convert Other Part Numbers to Red Dot Aftermarket Numbers

CROSS
REFERENCE

VOLVO	
RDHRD418029P	72R8200
RDHRD418036P	72R8250
RDHRD418046P	72R8300
RDHRD418057P	72R8360
RDHRD418076P	72R8400
RDHRD418079P	72R8410
RDHRD41810P	71R4050
RDHRD41830P	73R0152
RDHRD41840P	RD-4184-0P
RDHRD41860P	70R2301
RDHRD41870P	70R2306
RDHRD41880P	71R9002
RDHRD418824P	71R9004
RDHRD41910P	71R6050
RDHRD41970P	RD-4197-0P
RDHRD41990P	RD-4199-0P
RDHRD42190P	70R7700
RDHRD42200P	74R7220
RDHRD42210M	RD-4221-0M
RDHRD42220M	RD-4222-0M
RDHRD42251P	71R0150
RDHRD42252P	71R0300
RDHRD42260P	71R2700
RDHRD42570P	72R5050
RDHRD42960M	70R3256
RDHRD43176M	70R7050
RDHRD43221P	70R3258
RDHRD433640P	70R3406
RDHRD433650P	70R3408
RDHRD433723P	77R6800
RDHRD43400P	72R2300
RDHRD434341P	77R6900
RDHRD434430P	77R6200
RDHRD435080P	73R8110
RDHRD435860P	77R0350
RDHRD435954P	77R8200
RDHRD435955P	RD-4-3595-5P
RDHRD436460P	77R0800
RDHRD436520P	RD-4-3652-0P
RDHRD43660P	70R7150
RDHRD436660P	RD-4-3666-0P
RDHRD436690P	RD-4-3669-0P
RDHRD436820P	77R5250
RDHRD436832P	77R7900
RDHRD436833P	RD-4-3683-3P
RDHRD43700P	71R1652
RDHRD437140P	77R5910
RDHRD437220P	77R7800
RDHRD437230P	77R8100
RDHRD437240P	77R0650
RDHRD437272P	77R6920

VOLVO	
RDHRD437451P	77R6925
RDHRD438040P	RD-4-3804-0P
RDHRD438741P	77R0500
RDHRD438820P	RD-4-3882-0P
RDHRD438823P	RD-4-3882-3P
RDHRD438830P	RD-4-3883-0P
RDHRD438831P	RD-4-3883-1P
RDHRD438940P	RD-4-3894-0P
RDHRD439160P	77R0950
RDHRD439170P	77R1100
RDHRD439450P	77R0700
RDHRD439900P	77R6930
RDHRD440580P	RD-4-4058-0P
RDHRD440690P	77R0100
RDHRD440691P	77R0110
RDHRD440730P	RD-4-4073-0P
RDHRD440731P	RD-4-4073-1P
RDHRD441300P	77R0260
RDHRD441442P	77R0250
RDHRD441500P	RD-4-4150-0P
RDHRD441610P	77R0900
RDHRD441810P	77R0150
RDHRD442190P	77R6990
RDHRD442320P	77R0560
RDHRD442370P	RD-4-4237-0P
RDHRD442490P	RD-4-4249-0P
RDHRD442530P	RD-4-4253-0P
RDHRD442531P	RD-4-4253-1P
RDHRD442550P	RD-4-4255-0P
RDHRD442552P	RD-4-4255-2P
RDHRD442560P	RD-4-4256-0P
RDHRD442660P	RD-4-4266-0P
RDHRD442724P	71R3100
RDHRD442760P	77R6965
RDHRD443000P	77R6945
RDHRD44300P	71R2500
RDHRD443120P	RD-4-4312-0P
RDHRD443121P	RD-4-4312-1P
RDHRD443131P	RD-4-4313-1P
RDHRD443170P	RD-4-4317-0P
RDHRD443600P	77R6947
RDHRD443770P	77R5260
RDHRD444000P	77R0530
RDHRD444011P	RD-4-4401-1P
RDHRD444031P	77R6960
RDHRD444050P	RD-4-4405-0P
RDHRD444140P	77R0670
RDHRD444352P	RD-4-4435-2P
RDHRD444361P	RD-4-4436-1P
RDHRD444400P	77R0090
RDHRD444500P	RD-4-4450-0P

VOLVO	
RDHRD444541P	RD-4-4454-1P
RDHRD444650P	RD-4-4465-0P
RDHRD444700P	RD-4-4470-0P
RDHRD444710P	RD-4-4471-0P
RDHRD444802P	RD-4-4480-2P
RDHRD445010P	RD-4-4501-0P
RDHRD445020P	RD-4-4502-0P
RDHRD445021P	RD-4-4502-1P
RDHRD445050P	RD-4-4505-0P
RDHRD445121P	RD-4-4512-1P
RDHRD445204P	RD-4-4520-4P
RDHRD445205P	RD-4-4520-5P
RDHRD445291P	RD-4-4529-1P
RDHRD445481P	RD-4-4548-1P
RDHRD445500P	77R6935
RDHRD445501P	77R6940
RDHRD445671P	RD-4-4567-1P
RDHRD446000P	RD-4-4600-0P
RDHRD446940P	RD-4-4694-0P
RDHRD447050P	RD-4-4705-0P
RDHRD447130P	77R7000
RDHRD447221P	RD-4-4722-1P
RDHRD447233P	RD-4-4723-3P
RDHRD447240P	77R0660
RDHRD447241P	77R7005
RDHRD447280P	RD-4-4728-0P
RDHRD447380P	77R0620
RDHRD447470P	RD-4-4747-0P
RDHRD44820P	70R8120
RDHRD449201P	RD-4-4920-1P
RDHRD449202P	RD-4-4920-2P
RDHRD449310P	77R0665
RDHRD449520P	RD-4-4952-0P
RDHRD449561P	RD-4-4956-1P
RDHRD449571P	RD-4-4957-1P
RDHRD449680P	77R7100
RDHRD449720P	77R5263
RDHRD449990P	RD-4-4999-0P
RDHRD450030P	RD-4-5003-0P
RDHRD450410P	RD-4-5041-0P
RDHRD450450P	77R0990
RDHRD450500P	RD-4-5050-0P
RDHRD450520P	RD-4-5052-0P
RDHRD451151P	RD-4-5115-1P
RDHRD451160P	77R7020
RDHRD451210P	RD-4-5121-0P
RDHRD451220P	77R0630
RDHRD451350P	RD-4-5135-0P
RDHRD451461P	77R0570
RDHRD451540P	77R7010
RDHRD451861P	RD-4-5186-1P

VOLVO	
RDHRD452264P	77R8301
RDHRD452265P	77R8303
RDHRD45270P	71R6300
RDHRD452840P	RD-4-5284-0P
RDHRD453110P	77R1622
RDHRD453120P	77R1624
RDHRD453250P	RD-4-5325-0P
RDHRD453260P	RD-4-5326-0P
RDHRD453410P	RD-4-5341-0P
RDHRD453550P	RD-4-5355-0P
RDHRD453640P	RD-4-5364-0P
RDHRD453700P	RD-4-5370-0P
RDHRD453701P	RD-4-5370-1P
RDHRD453760P	RD-4-5376-0P
RDHRD453770P	77R1280
RDHRD453780P	77R1290
RDHRD453790P	77R1310
RDHRD453791P	RD-4-5379-1P
RDHRD453801P	RD-4-5380-1P
RDHRD454180P	77R1300
RDHRD454200P	RD-4-5420-0P
RDHRD454302P	RD-4-5430-2P
RDHRD454412P	RD-4-5441-2P
RDHRD454452P	RD-4-5445-2P
RDHRD454490P	RD-4-5449-0P
RDHRD454520P	RD-4-5452-0P
RDHRD454530P	RD-4-5453-0P
RDHRD454620P	77R0580
RDHRD454980P	77R1604
RDHRD455030P	77R1295
RDHRD456580P	77R6950
RDHRD456800P	77R0850
RDHRD456810P	77R5240
RDHRD456820P	77R0860
RDHRD456830P	77R5245
RDHRD456840P	77R1401
RDHRD456850P	77R1403
RDHRD456860P	77R1405
RDHRD456870P	77R1407
RDHRD456880P	77R1409
RDHRD456890P	77R1411
RDHRD456920P	77R1417
RDHRD456930P	77R1419
RDHRD456940P	77R1421
RDHRD456950P	77R6805
RDHRD456960P	77R6807
RDHRD457000P	RD-4-5700-0P
RDHRD457630P	77R7706
RDHRD457640P	77R7708
RDHRD457650P	77R7710
RDHRD457660P	77R7712

O.E.M. PART NUMBER CROSS REFERENCE

Convert Other Part Numbers to Red Dot Aftermarket Numbers

VOLVO	
RDHRD457670P	77R7714
RDHRD457680P	77R7716
RDHRD457690P	77R7704
RDHRD457700P	77R7702
RDHRD458120P	77R1175
RDHRD459600P	RD-4-5960-0P
RDHRD464150P	77R7717
RDHRD500600P	72R1502
RDHRD5006024P	72R1504
RDHRD500710P	71R0400
RDHRD5100080P	71R6410
RDHRD5100090P	71R6415
RDHRD5100101P	RD-5-10010-1P
RDHRD5100110P	71R8504
RDHRD5100120P	71R8501
RDHRD5100130P	71R8506
RDHRD5100140P	71R8510
RDHRD5100160P	79R1681
RDHRD5100170P	79R9681
RDHRD5100180P	79R1682
RDHRD5100190P	79R9682
RDHRD5100200P	79R1686
RDHRD5100210P	79R9686
RDHRD5100220P	79R1688
RDHRD5100290P	75R7300
RDHRD5100300P	72R3151
RDHRD5100310P	72R3156
RDHRD5100410P	78R5351
RDHRD5100510P	73R2282
RDHRD5100520P	73R2272
RDHRD5100530P	73R2262
RDHRD5100550P	72R6547
RDHRD5100560P	71R0453
RDHRD5100670P	RD-5-10067-0P
RDHRD5100680P	73R4322
RDHRD5100700P	73R0142
RDHRD5100710P	73R0082
RDHRD5100720P	73R0642
RDHRD5100730P	73R4312
RDHRD5100740P	78R5258
RDHRD5100750P	78R5256
RDHRD5100760P	78R5244
RDHRD5100770P	78R5236
RDHRD5100780P	78R5252
RDHRD5100790P	78R5254
RDHRD5100800P	78R5249
RDHRD5100810P	78R5257
RDHRD5100820P	78R5255
RDHRD5100830P	73R8320
RDHRD5100850M	70R5057
RDHRD5100960P	71R6185

VOLVO	
RDHRD5100970P	71R6245
RDHRD5101290P	RD-5-10129-0P
RDHRD5101790P	RD-5-10179-0P
RDHRD5101820P	RD-5-10182-0P
RDHRD5101880P	71R0485
RDHRD5101980M	70R5026
RDHRD5101990M	70R5024
RDHRD5102000M	70R5022
RDHRD5102060P	79R4650
RDHRD5102070P	79R4655
RDHRD5102090P	79R1150
RDHRD5102230P	72R5055
RDHRD5102330M	RD-5-10233-0M
RDHRD5102490P	78R5309
RDHRD5102580P	72R7100
RDHRD5102590P	75R84112
RDHRD5102600P	75R84594
RDHRD5102610	75R84132
RDHRD5102620P	75R84162
RDHRD5102630P	75R84172
RDHRD5102640P	75R84182
RDHRD5102650P	75R84192
RDHRD5102660P	75R84212
RDHRD5102670P	75R84232
RDHRD5102680P	75R84252
RDHRD5102690P	75R84262
RDHRD5102730P	75R84292
RDHRD5102740P	75R84312
RDHRD5102750P	75R84352
RDHRD5102760P	75R84362
RDHRD5102770P	75R84372
RDHRD5102780P	75R84382
RDHRD5102810P	75R84432
RDHRD5102820P	75R84452
RDHRD5102830P	75R83112
RDHRD5102840P	75R83132
RDHRD5102850P	75R84472
RDHRD5102860P	75R84482
RDHRD5102870P	75R84492
RDHRD5102880P	75R83152
RDHRD5102900P	75R84512
RDHRD5102910P	75R84532
RDHRD5102920P	75R84552
RDHRD5102930P	75R83172
RDHRD5102940P	75R84562
RDHRD5102950P	75R84572
RDHRD5102960P	75R84582
RDHRD5102970P	75R84612
RDHRD5102980P	76R7503
RDHRD5103010P	75R4782
RDHRD5103020P	75R4792

VOLVO	
RDHRD5103030P	75R84152
RDHRD5103060P	71R8415
RDHRD5103070P	75R82102
RDHRD5103080P	75R82104
RDHRD5103090P	75R82112
RDHRD5103100P	75R82132
RDHRD5103110P	75R8919
RDHRD5103120P	75R8907
RDHRD5103140P	75R8909
RDHRD5103150P	75R8910
RDHRD5103160P	75R8917
RDHRD5103190P	75R85332
RDHRD5103210P	75R85632
RDHRD5103220P	75R85734
RDHRD5103240P	75R85832
RDHRD5103250P	75R85932
RDHRD5103260P	75R86134
RDHRD5103270P	75R86152
RDHRD5103280P	75R86162
RDHRD5103290P	75R86172
RDHRD5103330P	71R8440
RDHRD5103340P	71R8350
RDHRD5103350P	71R3220
RDHRD5103360P	73R0042
RDHRD5103370P	73R0412
RDHRD5103380M	70R5028
RDHRD5103390M	70R5029
RDHRD5103410P	71R1457
RDHRD5103420P	71R4025
RDHRD5103440P	72R6520
RDHRD5103450P	72R6530
RDHRD5103460P	73R7130
RDHRD5103480P	74R3064
RDHRD5103490P	71R6425
RDHRD5103510P	71R6445
RDHRD5103520P	71R6565
RDHRD5103550P	75R4722
RDHRD5103570P	75R4742
RDHRD5103580P	75R4752
RDHRD5103590P	75R4762
RDHRD5103600P	75R1512
RDHRD5103610P	75R1432
RDHRD5103620P	75R1522
RDHRD5103630P	75R0502
RDHRD5103640P	75R0512
RDHRD5103650P	75R0682
RDHRD5103660P	75R0522
RDHRD5103670P	75R0422
RDHRD5103680P	75R1532
RDHRD5103690P	75R1542
RDHRD5103700P	75R3502

VOLVO	
RDHRD5103710P	75R8906
RDHRD5103720P	75R8916
RDHRD5103730P	75R8918
RDHRD5103770P	79R0330
RDHRD5103780P	73R5582
RDHRD5103790P	73R0012
RDHRD5103800P	73R2202
RDHRD5103810P	73R2222
RDHRD5103820P	73R2242
RDHRD5103830P	73R2112
RDHRD5103840P	73R5592
RDHRD5103850P	73R2122
RDHRD5103860P	73R2132
RDHRD5103870P	73R2142
RDHRD5103880P	73R2152
RDHRD5103890P	73R0372
RDHRD5103900P	73R0212
RDHRD5103910P	73R0092
RDHRD5103920P	73R0232
RDHRD5103930P	73R3022
RDHRD5103940P	73R0002
RDHRD5103950P	73R3032
RDHRD5103960P	75R1352
RDHRD5103970P	75R1342
RDHRD5103980P	75R0032
RDHRD5103990P	75R0052
RDHRD5104000P	75R0242
RDHRD5104010P	75R4702
RDHRD5104180P	72R2255
RDHRD5104260P	75R86182
RDHRD5104270P	75R86194
RDHRD5104280P	75R85732
RDHRD5104290P	75R86132
RDHRD5104310P	75R86092
RDHRD5104340P	74R2002
RDHRD5104350P	73R6383
RDHRD5104360P	71R8435
RDHRD5104370P	71R6247
RDHRD5104380P	71R6249
RDHRD5104390P	71R6251
RDHRD5104400P	71R6253
RDHRD5104410P	71R1463
RDHRD5104420P	71R6093
RDHRD5104430P	71R6255
RDHRD5104440P	71R6257
RDHRD5104450P	71R8220
RDHRD5104470P	71R8405
RDHRD5104490P	71R6560
RDHRD5104500P	74R3140
RDHRD5104510P	74R5055
RDHRD5104520P	74R5057

CROSS
REFERENCE

O.E.M. PART NUMBER CROSS REFERENCE

Convert Other Part Numbers to Red Dot Aftermarket Numbers

CROSS
REFERENCE

VOLVO	
RDHRD5104530P	74R5063
RDHRD5104540P	74R5065
RDHRD5104550P	74R5067
RDHRD5104560P	74R5069
RDHRD5104570P	74R5071
RDHRD5104580P	74R5073
RDHRD5104590P	74R5075
RDHRD5104600P	74R5077
RDHRD5104610P	74R5079
RDHRD5104620P	74R5081
RDHRD5104630P	74R5083
RDHRD5104640P	74R5085
RDHRD5104650P	74R5087
RDHRD5104660P	74R5089
RDHRD5104670P	74R5091
RDHRD5104680P	71R6570
RDHRD5104700P	71R6420
RDHRD5104710P	71R6430
RDHRD5104730P	71R6455
RDHRD5104740P	RD-5-10474-0P
RDHRD5104750P	RD-5-10475-0P
RDHRD5104760P	RD-5-10476-0P
RDHRD5104780P	72R2350
RDHRD5104790P	79R1720
RDHRD5104800P	79R4553
RDHRD5104810P	79R4555
RDHRD5104820P	79R3580
RDHRD5104830P	79R3585
RDHRD5104840P	79R3586
RDHRD5104850P	79R3587
RDHRD5104860P	79R5032
RDHRD5104870P	79R5033
RDHRD5104890P	73R3042
RDHRD5104900P	73R9082
RDHRD5104910P	73R0032
RDHRD5104920P	75R8722
RDHRD5104930P	75R82142
RDHRD5104940P	75R8732
RDHRD5104950P	75R8742
RDHRD5104960P	75R8752
RDHRD5104970P	75R8762
RDHRD5105010P	73R3062
RDHRD5105020P	73R3052
RDHRD510504600P	78R8456
RDHRD510505600P	78R8458
RDHRD510506600P	78R8451
RDHRD510507600P	78R8452
RDHRD5105081P	70R8606
RDHRD5105091P	70R8706
RDHRD5105101P	70R8608
RDHRD5105111P	70R8708

VOLVO	
RDHRD5105121P	70R8601
RDHRD5105131P	70R8701
RDHRD5105151P	70R8602
RDHRD5105161P	70R8646
RDHRD5105171P	70R8648
RDHRD5105181P	70R8641
RDHRD5105191P	70R8642
RDHRD5105201P	70R8696
RDHRD5105211P	70R8796
RDHRD5105221P	70R8698
RDHRD5105231P	70R8798
RDHRD5105241P	70R8691
RDHRD5105251P	70R8791
RDHRD5105260P	75R0072
RDHRD5105271P	70R8692
RDHRD5105281P	70R8091
RDHRD5105291P	70R8761
RDHRD5105301P	70R8092
RDHRD5105311P	70R8306
RDHRD5105341P	70R8301
RDHRD5105351P	70R8711
RDHRD5105371P	70R8006
RDHRD5105381P	70R8786
RDHRD5105411P	70R8781
RDHRD5105431P	70R8001
RDHRD5105440P	75R0082
RDHRD5105450P	75R0092
RDHRD5105471P	70R8556
RDHRD5105481P	70R8558
RDHRD5105491P	70R8551
RDHRD5105501P	70R8511
RDHRD5105641P	70R8201
RDHRD5105651P	70R8621
RDHRD5105671P	70R8996
RDHRD5105681P	70R8998
RDHRD5105711P	70R8068
RDHRD5105721P	70R8061
RDHRD5105731P	70R8062
RDHRD5105830P	74R2667
RDHRD5105840P	74R3147
RDHRD5105890P	74R3126
RDHRD5106900P	70R8246
RDHRD5106910P	RD-5-10691-0P
RDHRD5106911P	70R8248
RDHRD5106930P	70R8242
RDHRD5106991P	70R8216
RDHRD5107001P	70R8218
RDHRD5107011P	70R8211
RDHRD5107021P	70R8212
RDHRD5107030P	RD-5-10703-0P
RDHRD5107031P	70R8292

VOLVO	
RDHRD5107041P	70R8271
RDHRD5107051P	70R8272
RDHRD5107061P	70R8276
RDHRD5107071P	70R8278
RDHRD5107081P	70R8261
RDHRD5107090M	70R8806
RDHRD5107100M	70R8808
RDHRD5107110M	70R8801
RDHRD5107120M	70R8802
RDHRD5107130M	70R8826
RDHRD5107140M	70R8828
RDHRD5107150M	70R8821
RDHRD5107160M	70R8822
RDHRD5107170P	79R8920
RDHRD5107180P	79R8915
RDHRD5107191P	70R8096
RDHRD5107201P	70R8098
RDHRD5107220P	75R0252
RDHRD5107230P	75R0262
RDHRD5107240P	75R1212
RDHRD5107250P	75R8454
RDHRD5107270P	75R0062
RDHRD5107280P	75R8702
RDHRD5107290P	74R3313
RDHRD5107340P	71R8090
RDHRD5107350P	74R3156
RDHRD5107360P	71R3155
RDHRD5107370P	75R84632
RDHRD5107380P	75R84622
RDHRD5107390P	79R8930
RDHRD5107400P	79R8931
RDHRD5107410P	74R3319
RDHRD5107420P	74R1406
RDHRD5107430P	74R1426
RDHRD5107440P	74R1436
RDHRD5107450P	78R5420
RDHRD5107460P	73R1012
RDHRD5107530P	73R6253
RDHRD5107570P	71R8507
RDHRD5107580P	75R1872
RDHRD5107590P	75R1832
RDHRD5107600P	75R1842
RDHRD5107610P	75R1852
RDHRD5107620P	75R1862
RDHRD5107630P	71R6402
RDHRD5107650P	71R6406
RDHRD5107660P	71R6408
RDHRD5107670P	71R6412
RDHRD5107680P	71R6414
RDHRD5107690P	71R6416
RDHRD5107710P	71R6561

VOLVO	
RDHRD5107720P	71R6563
RDHRD5107730P	78R5306M
RDHRD5107740P	78R5302
RDHRD5107750P	78R5308
RDHRD5107760P	78R5304
RDHRD5107770P	74R2616
RDHRD5107780P	71R6418
RDHRD5107790P	71R6422
RDHRD5107800P	71R6448
RDHRD5107810P	71R6451
RDHRD5107820P	71R6452
RDHRD5107830P	71R6424
RDHRD5107840P	71R6426
RDHRD5107860P	71R6432
RDHRD5107870P	71R6434
RDHRD5107880P	71R6454
RDHRD5107890P	71R6450
RDHRD5107900P	71R6456
RDHRD5107950P	78R5353
RDHRD5108260P	75R7265
RDHRD5108500P	71R6458
RDHRD5108510P	71R6460
RDHRD5108520P	71R6438
RDHRD5108530P	71R6442
RDHRD5108540P	71R6444
RDHRD5108550P	71R6566
RDHRD5108590P	71R6573
RDHRD5108600P	71R6576
RDHRD5108610P	71R6578
RDHRD5108800P	75R89305
RDHRD5108810P	75R89310
RDHRD5108840P	75R89325
RDHRD5108850P	75R89302
RDHRD5108860P	75R89312
RDHRD5108870P	75R89322
RDHRD5108880P	75R89334
RDHRD5108890P	75R89344
RDHRD5108900P	75R89352
RDHRD5108910P	75R89362
RDHRD5108920P	75R89354
RDHRD5108930P	75R89372
RDHRD5108940P	75R89382
RDHRD5108950P	75R89374
RDHRD5108960P	75R89384
RDHRD5108970P	75R89392
RDHRD5108980P	75R89414
RDHRD5108990P	75R89422
RDHRD5109000P	75R89424
RDHRD5109030P	71R8451
RDHRD5109050P	73R0442
RDHRD5109270P	74R5061

O.E.M. PART NUMBER CROSS REFERENCE

Convert Other Part Numbers to Red Dot Aftermarket Numbers

VOLVO	
RDHRD5109340P	71R1163
RDHRD5109440P	74R3327
RDHRD5110000P	71R6463
RDHRD5110020P	75R84662
RDHRD5110030P	75R89364
RDHRD5110040P	75R89332
RDHRD5110050P	75R89432
RDHRD5110060P	75R89462
RDHRD5110080P	75R89412
RDHRD5110090P	75R89474
RDHRD5110100P	75R89484
RDHRD5110110P	75R89314
RDHRD5110120P	75R89292
RDHRD5110130P	75R89394
RDHRD5110150M	70R8506
RDHRD5110160M	70R8508
RDHRD5110170M	70R8510
RDHRD5110180M	70R8512
RDHRD5110480P	75R8922
RDHRD5110910P	79R3165
RDHRD5110920P	79R3163
RDHRD5110930P	79R3161
RDHRD5110940P	79R3175
RDHRD5110950P	79R3173
RDHRD5110960P	79R3171
RDHRD5110980P	79R3174
RDHRD5110990P	79R3172
RDHRD5111020P	79R3178
RDHRD5111030P	79R3179
RDHRD5111070P	79R3121
RDHRD5111080P	79R3123
RDHRD5111240P	79R4004
RDHRD5111350P	79R1660
RDHRD5111380P	79R4008
RDHRD5111430P	79R0105
RDHRD5111530P	79R0180
RDHRD5111590P	75R84332
RDHRD5111600P	75R84462
RDHRD5111610P	75R84114
RDHRD5111620P	79R6060
RDHRD5111690P	71R7077
RDHRD5111860P	74R3377
RDHRD5111880P	74R3328
RDHRD5111890P	74R3323
RDHRD5112190P	75R7332
RDHRD5112200P	75R84592
RDHRD5112340P	75R81104
RDHRD5112350P	75R81114
RDHRD5112360P	75R81134
RDHRD5112370P	75R81152
RDHRD5112380P	75R81162

VOLVO	
RDHRD5112390P	75R81172
RDHRD5112400P	75R81184
RDHRD5112410P	75R81192
RDHRD5112420P	75R81202
RDHRD5112430P	75R81212
RDHRD5112440P	75R81232
RDHRD5112450P	75R81252
RDHRD5112470P	75R81262
RDHRD5112480P	75R81274
RDHRD5112490P	75R81282
RDHRD5112510P	75R81302
RDHRD5112520P	75R81312
RDHRD5112530P	75R81334
RDHRD5112540P	75R81352
RDHRD5112560P	75R81362
RDHRD5112570P	75R81372
RDHRD5112580P	75R81382
RDHRD5112590P	75R81392
RDHRD5112600P	75R81402
RDHRD5113100P	75R81412
RDHRD5113110P	75R81432
RDHRD5113130P	75R81452
RDHRD5113140P	79R0112
RDHRD5113150P	75R81462
RDHRD5113160P	75R81472
RDHRD5113220P	75R81482
RDHRD5113240P	75R81492
RDHRD5113260P	75R81502
RDHRD5113270P	79R4710
RDHRD5113280P	75R81512
RDHRD5113300P	75R81532
RDHRD5113310P	75R81552
RDHRD5113340P	75R81562
RDHRD5113360P	75R81572
RDHRD5113370P	75R81582
RDHRD5113380P	75R81592
RDHRD5113390P	75R81602
RDHRD5113400P	75R81612
RDHRD5113430P	75R81652
RDHRD5113450P	75R81672
RDHRD5113460P	75R81682
RDHRD5113470P	75R81692
RDHRD5113480P	75R81702
RDHRD5113490P	75R81712
RDHRD5113500P	75R81732
RDHRD5113510P	75R81754
RDHRD5113560P	75R81762
RDHRD5113720P	79R8916
RDHRD5113810P	71R6571
RDHRD5115270M	70R5031
RDHRD5115280M	70R5032

VOLVO	
RDHRD5115290M	70R5033
RDHRD5115300M	70R5034
RDHRD5115361P	70R85206
RDHRD5115371P	70R85201
RDHRD5115381P	70R85202
RDHRD5115391P	70R85212
RDHRD5115401P	70R85222
RDHRD5115411P	70R85301
RDHRD5115421P	70R85311
RDHRD5115431P	70R85326
RDHRD5115441P	70R85321
RDHRD5115451P	70R85336
RDHRD5115580P	RD-5-11558-0P
RDHRD5115680P	79R4597
RDHRD5115741P	70R8256
RDHRD5115751P	70R8258
RDHRD5115761P	70R8251
RDHRD5115790P	73R3072
RDHRD5118290P	75R9838
RDHRD5118291P	75R75218
RDHRD5118301P	75R75212
RDHRD5118310P	75R9858
RDHRD5118311P	75R75228
RDHRD5118320P	75R9852
RDHRD5118321P	75R75222
RDHRD5118331P	75R75208
RDHRD5118340P	75R9672
RDHRD5118341P	75R75202
RDHRD5118360P	78R5430
RDHRD5118381P	70R8288
RDHRD5118391P	70R8281
RDHRD5118401P	70R8282
RDHRD5118620P	71R3577
RDHRD5118970P	RD-5-11897-0P
RDHRD5123080P	70R40055
RDHRD5123300P	75R81622
RDHRD5123320P	75R81632
RDHRD5124880P	77R6957
RDHRD5125200P	71R8453
RDHRD5125210P	71R8455
RDHRD5125220P	71R8457
RDHRD5126230P	74R5097
RDHRD5127420P	RD-5-12742-0P
RDHRD53550120P	78R0070
RDHRD535930P	74R1756
RDHRD535931P	74R1706
RDHRD535960P	72R3050
RDHRD535970P	72R2250
RDHRD535990P	71R0250
RDHRD536460M	RD-5-3646-0M
RDHRD536470P	71R1450

VOLVO	
RDHRD536530P	72R9040
RDHRD536570P	78R0050
RDHRD536860M	RD-5-3686-0M
RDHRD536860P	70R7550
RDHRD536861P	70R7750
RDHRD536900P	73R0502
RDHRD536930P	75R5608
RDHRD536931P	75R5618
RDHRD536941P	75R5611
RDHRD536980M	75R5520
RDHRD537010P	72R2500
RDHRD537020P	72R2600
RDHRD537090P	72R2100
RDHRD537130P	70R1396
RDHRD537140P	70R1398
RDHRD537150P	70R1391
RDHRD537160P	70R1496
RDHRD537170P	70R1498
RDHRD537180P	70R1491
RDHRD537190P	70R1306
RDHRD537200P	70R1308
RDHRD537210P	70R1301
RDHRD537220P	70R1406
RDHRD537230P	70R1408
RDHRD537240P	70R1401
RDHRD537250P	78R0406
RDHRD537260P	78R0408
RDHRD537270P	78R0401
RDHRD537280M	70R5056
RDHRD537290M	70R5058
RDHRD537300M	70R5051
RDHRD537461P	70R7500
RDHRD5375124P	73R0454
RDHRD5375712P	73R4202
RDHRD5375724P	73R4204
RDHRD537580P	72R2550
RDHRD537640M	RD-5-3764-0M
RDHRD537723P	RD-5-3772-3P
RDHRD537790P	71R1165
RDHRD537800P	73R4102
RDHRD5378024P	73R4104
RDHRD537810P	RD-5-3781-0P
RDHRD537811P	RD-5-3781-1P
RDHRD537898P	78R1605
RDHRD537899P	78R1805
RDHRD537910P	70R5701
RDHRD538001P	73R6251
RDHRD538222P	RD-5-3822-2P
RDHRD538241P	71R8100
RDHRD538270P	72R0200
RDHRD538271P	72R0210

CROSS REFERENCE

O.E.M. PART NUMBER CROSS REFERENCE

Convert Other Part Numbers to Red Dot Aftermarket Numbers

CROSS
REFERENCE

VOLVO	
RDHRD538272P	72R0220
RDHRD538274P	72R0240
RDHRD538276P	72R0260
RDHRD538277P	RD-5-3827-7P
RDHRD538278P	RD-5-3827-8P
RDHRD538430P	74R2556
RDHRD538460P	72R3200
RDHRD538490P	RD-5-3849-0P
RDHRD538551P	RD-5-3855-1P
RDHRD538604P	RD-5-3860-4P
RDHRD538605P	RD-5-3860-5P
RDHRD538610P	70R5200
RDHRD538760P	RD-5-3876-0P
RDHRD538761P	70R7200
RDHRD538832P	RD-5-3883-2P
RDHRD538941P	RD-5-3894-1P
RDHRD538942P	RD-5-3894-2P
RDHRD539050P	78R5000
RDHRD539230P	71R0050
RDHRD539270P	RD-5-3927-0P
RDHRD53927108P	78R0400
RDHRD539282P	RD-5-3928-2P
RDHRD53930108P	78R0300
RDHRD53930216P	RD-5-3930-216P
RDHRD539331P	73R7101
RDHRD539400M	75R5550
RDHRD539410M	75R5500
RDHRD539470P	RD-5-3947-0P
RDHRD539480P	RD-5-3948-0P
RDHRD539880P	71R0350
RDHRD540310P	RD-5-4031-0P
RDHRD5403510M	70R5550
RDHRD5403516M	70R5600
RDHRD5403552P	70R5650
RDHRD54058360P	79R4400
RDHRD540600M	RD-5-4060-0M
RDHRD540621500M	RD-5-4062-1-.500M
RDHRD540660P	RD-5-4066-0P
RDHRD540860P	72R9045
RDHRD540890M	RD-5-4089-0M
RDHRD540970P	RD-5-4097-0P
RDHRD541870P	78R0100
RDHRD541950P	RD-5-4195-0P
RDHRD542160P	71R1900
RDHRD542190P	RD-5-4219-0P
RDHRD5423324P	73R4504
RDHRD542530P	RD-5-4253-0P
RDHRD542650P	RD-5-4265-0P
RDHRD542830P	71R0040
RDHRD542840P	RD-5-4284-0P
RDHRD542850P	RD-5-4285-0P

VOLVO	
RDHRD542870P	71R1654
RDHRD542880P	78R5003
RDHRD542890P	78R5007
RDHRD542960P	73R9202
RDHRD542961P	73R9204
RDHRD542970P	70R8400
RDHRD543020M	71R4030
RDHRD543870P	RD-5-4387-0P
RDHRD544000P	70R5770
RDHRD544080P	71R1702
RDHRD544170P	71R1704
RDHRD544480P	RD-5-4448-0P
RDHRD544500P	71R4035
RDHRD544510P	72R2200
RDHRD544520P	72R2150
RDHRD544530P	RD-5-4453-0P
RDHRD544710P	70R7250
RDHRD544750P	72R0050
RDHRD5447612M	70R5565
RDHRD544870P	RD-5-4487-0P
RDHRD544970P	70R8420
RDHRD545030P	RD-5-4503-0P
RDHRD545040P	RD-5-4504-0P
RDHRD545090P	RD-5-4509-0P
RDHRD545270P	70R2201
RDHRD545280P	70R2206
RDHRD5453124P	71R3200
RDHRD545500P	73R0102
RDHRD5455024P	73R0104
RDHRD545750P	73R9052
RDHRD5457524P	73R9054
RDHRD545830P	71R7550
RDHRD545850P	71R7500
RDHRD546110P	RD-5-4611-0P
RDHRD546200P	71R7600
RDHRD546241P	RD-5-4624-1P
RDHRD546250P	71R7650
RDHRD546261P	RD-5-4626-1P
RDHRD546320P	74R1956
RDHRD546321P	74R1906
RDHRD546360P	RD-5-4636-0P
RDHRD546400P	71R7050
RDHRD546410M	RD-5-4641-0M
RDHRD546460P	71R7000
RDHRD546590P	72R9010
RDHRD546650M	70R5706
RDHRD546660M	70R5708
RDHRD546800WHTP	78R0030
RDHRD546930P	RD-5-4693-0P
RDHRD546941P	71R0450
RDHRD547090P	70R8500

VOLVO	
RDHRD547180P	RD-5-4718-0P
RDHRD547210P	72R0610
RDHRD547221P	RD-5-4722-1P
RDHRD547222P	RD-5-4722-2P
RDHRD547270P	74R2586
RDHRD547271P	74R2596
RDHRD547300P	RD-5-4730-0P
RDHRD547400P	72R0100
RDHRD547430P	RD-5-4743-0P
RDHRD547470P	72R0500
RDHRD547560P	72R9030
RDHRD547760P	RD-5-4776-0P
RDHRD547761P	RD-5-4776-1P
RDHRD548130P	70R3590
RDHRD5482511P	RD-5-4825-11P
RDHRD5482515P	RD-5-4825-15P
RDHRD5482516P	RD-5-4825-16P
RDHRD5482519P	RD-5-4825-19P
RDHRD5482523P	RD-5-4825-23P
RDHRD548259P	RD-5-4825-9P
RDHRD5482724P	73R0404
RDHRD548320M	70R3800
RDHRD548340P	74R3306
RDHRD549040P	70R3550
RDHRD549050P	70R5000
RDHRD549080P	71R1200
RDHRD549090P	71R2100
RDHRD549110P	71R2600
RDHRD549120P	71R6100
RDHRD549170P	71R2800
RDHRD549190P	71R8500
RDHRD549230P	72R5040
RDHRD549270P	73R0702
RDHRD549320P	73R1052
RDHRD549370P	73R2102
RDHRD549470P	74R0450
RDHRD549500P	74R0906
RDHRD549540P	74R2406
RDHRD549550P	74R2706
RDHRD549590P	74R3450
RDHRD549610P	74R5050
RDHRD549620P	74R5600
RDHRD549650P	75R0152
RDHRD549660P	75R0302
RDHRD549670P	75R0452
RDHRD549750P	75R1652
RDHRD549760P	75R1802
RDHRD549800P	75R2402
RDHRD549810P	75R2552
RDHRD549820P	75R2702
RDHRD549830P	75R2852

VOLVO	
RDHRD549840P	75R3002
RDHRD549870P	75R3452
RDHRD549880P	75R3602
RDHRD549930P	75R4352
RDHRD549940P	75R4502
RDHRD549970M	75R5700
RDHRD550000P	75R8102
RDHRD550060P	78R0456SP
RDHRD55006600P	78R0456
RDHRD550080P	78R0458SP
RDHRD55008600P	78R0458
RDHRD550100P	78R0451SP
RDHRD55010600P	78R0451
RDHRD550120P	78R0452SP
RDHRD55012600P	78R0452
RDHRD550141P	78R1505
RDHRD550153P	78R1005
RDHRD550154P	78R1025
RDHRD550271P	71R1802
RDHRD550310P	75R6000
RDHRD550320P	75R6010
RDHRD550491P	73R4422
RDHRD550492P	73R4424
RDHRD550722P	RD-5-5072-2P
RDHRD550723P	RD-5-5072-3P
RDHRD550730M	RD-5-5073-0M
RDHRD550780M	RD-5-5078-0M
RDHRD551190P	72R5060
RDHRD551200P	73R0512
RDHRD5512024P	73R0514
RDHRD551210P	73R4252
RDHRD551211P	73R4262
RDHRD5512124P	73R4254
RDHRD551212P	73R4264
RDHRD55122108P	78R0200
RDHRD55123108P	78R0250
RDHRD55123600P	RD-5-5123-600P
RDHRD551260P	75R9500
RDHRD551440P	75R3454
RDHRD551470P	78R5100
RDHRD551471P	78R5110
RDHRD551500P	RD-5-5150-0P
RDHRD551510P	78R5005
RDHRD551520P	78R5004
RDHRD551590P	75R9000
RDHRD551600P	75R9010
RDHRD551650P	75R9060
RDHRD551690P	75R9100
RDHRD551780P	75R9180
RDHRD551830P	75R9530
RDHRD551840P	75R9540

O.E.M. PART NUMBER CROSS REFERENCE

Convert Other Part Numbers to Red Dot Aftermarket Numbers

VOLVO	
RDHRD551900P	73R4162
RDHRD551910P	72R5070
RDHRD551920P	72R5500
RDHRD551930P	72R5600
RDHRD551940P	71R1210
RDHRD551950P	75R5628
RDHRD551960P	75R5621
RDHRD551970P	75R5658
RDHRD551980P	75R5651
RDHRD551990P	75R8282
RDHRD552000P	75R8222
RDHRD5520024P	75R8224
RDHRD552150P	72R5080
RDHRD552180M	RD-5-5218-0M
RDHRD552220P	72R3111
RDHRD552230P	72R3110
RDHRD552231P	72R3100
RDHRD552232P	RD-5-5223-2P
RDHRD552250P	RD-5-5225-0P
RDHRD552300P	73R0522
RDHRD552340M	RD-5-5234-0M
RDHRD552560M	70R5718
RDHRD552630P	73R6230
RDHRD5526924P	RD-5-5269-24P
RDHRD552692P	73R0622
RDHRD553000M	RD-5-5300-0M
RDHRD553000P	72R5200
RDHRD553021P	71R0470
RDHRD553350M	RD-5-5335-0M
RDHRD553360M	RD-5-5336-0M
RDHRD553420M	RD-5-5342-0M
RDHRD553490P	RD-5-5349-0P
RDHRD553520P	RD-5-5352-0P
RDHRD553550M	RD-5-5355-0M
RDHRD553740P	RD-5-5374-0P
RDHRD553810M	RD-5-5381-0M
RDHRD553830P	RD-5-5383-0P
RDHRD553960P	75R5718
RDHRD553970P	75R5711
RDHRD554000P	71R0260
RDHRD554010M	75R5540
RDHRD554020P	RD-5-5402-0P
RDHRD554030P	77R9000
RDHRD554031P	77R9010
RDHRD554032P	77R9005
RDHRD554033P	77R9015
RDHRD554062P	78R1070
RDHRD554144P	72R1200
RDHRD554230P	RD-5-5423-0P
RDHRD554240P	RD-5-5424-0P
RDHRD554241P	72R1300

VOLVO	
RDHRD554280P	78R5400
RDHRD554310P	78R5200
RDHRD554320P	78R5210
RDHRD554340P	RD-5-5434-0P
RDHRD5543524P	RD-5-5435-24P
RDHRD554430P	75R8212
RDHRD554520P	RD-5-5452-0P
RDHRD554580P	RD-5-5458-0P
RDHRD554760P	72R2000
RDHRD554860P	75R0202
RDHRD554870P	75R0204
RDHRD554880P	75R1404
RDHRD554890P	75R1402
RDHRD554950P	RD-5-5495-0P
RDHRD554951P	72R5260
RDHRD554952P	72R5270
RDHRD554990M	RD-5-5499-0M
RDHRD555020M	RD-5-5502-0M
RDHRD5550533P	RD-5-5505-33P
RDHRD555056250P	RD-5-5505-62.50P
RDHRD5550566P	RD-5-5505-66P
RDHRD555100P	RD-5-5510-0P
RDHRD555120P	73R0912
RDHRD555200P	72R2130
RDHRD555250P	70R7110
RDHRD555340P	RD-5-5534-0P
RDHRD555380P	72R0070
RDHRD555480P	RD-5-5548-0P
RDHRD555520P	72R2140
RDHRD555660P	75R9670
RDHRD555710P	74R1806
RDHRD555720P	74R1856
RDHRD555730M	RD-5-5573-0M
RDHRD555740P	75R0042
RDHRD555750P	75R8292
RDHRD555830P	74R2606
RDHRD555880P	74R3056
RDHRD555890P	74R3066
RDHRD556010P	73R6370
RDHRD556140M	RD-5-5614-0M
RDHRD556140P	73R4062
RDHRD556200P	79R3000
RDHRD556260P	75R8214
RDHRD556270P	75R8232
RDHRD556280P	75R8234
RDHRD556340P	73R0922
RDHRD556560M	RD-5-5656-0M
RDHRD556560P	73R7000
RDHRD556574P	RD-5-5657-4P
RDHRD556760P	RD-5-5676-0P
RDHRD556780M	RD-5-5678-0M

VOLVO	
RDHRD556840P	75R8342
RDHRD556880P	78R2090
RDHRD556960P	75R8272
RDHRD557210P	72R0600
RDHRD557211P	72R0190
RDHRD557510P	75R5005
RDHRD557520P	75R5102
RDHRD5575365P	RD-5-5753-65P
RDHRD557540P	75R5104
RDHRD557845P	72R1210
RDHRD55791600GRNP	78R0063
RDHRD55791600REDP	78R0065
RDHRD55791600WHTP	78R0060
RDHRD557940P	75R5006
RDHRD557960P	73R9062
RDHRD5579624P	73R9064
RDHRD558000P	RD-5-5800-0P
RDHRD558370P	73R4602
RDHRD558590P	79R4700
RDHRD558620P	71R8080
RDHRD558730P	71R6070
RDHRD558740P	71R1300
RDHRD558760P	75R8512
RDHRD558770P	71R6060
RDHRD558870P	73R9072
RDHRD559010P	72R9020
RDHRD559090P	73R0022
RDHRD559160P	79R4550
RDHRD559270M	RD-5-5927-0M
RDHRD559280P	71R4040
RDHRD559380M	78R0090
RDHRD559540P	74R3506
RDHRD559550P	74R3516
RDHRD559650P	RD-5-5965-0P
RDHRD559730P	RD-5-5973-0P
RDHRD559800P	RD-5-5980-0P
RDHRD559821P	RD-5-5982-1P
RDHRD559880M	RD-5-5988-0M
RDHRD559970P	75R9730
RDHRD560170P	72R3000
RDHRD560230P	RD-5-6023-0P
RDHRD560281P	72R1310
RDHRD560283P	RD-5-6028-3P
RDHRD560284P	RD-5-6028-4P
RDHRD560380P	75R8352
RDHRD560511P	RD-5-6051-1P
RDHRD560513P	RD-5-6051-3P
RDHRD560520P	RD-5-6052-0P
RDHRD560521P	RD-5-6052-1P
RDHRD560530P	RD-5-6053-0P
RDHRD560620P	70R1506

VOLVO	
RDHRD560630P	70R1508
RDHRD560640P	70R1501
RDHRD560650P	70R1502
RDHRD560660P	70R1596
RDHRD560670P	70R1598
RDHRD560680P	70R1591
RDHRD560690P	70R1592
RDHRD560710P	73R0364
RDHRD560750P	74R4006
RDHRD560760P	74R4116
RDHRD560770P	74R4016
RDHRD560980M	70R5100
RDHRD560990P	71R8210
RDHRD561180P	RD-5-6118-0P
RDHRD561240P	78R5320
RDHRD561280P	RD-5-6128-0P
RDHRD561300P	RD-5-6130-0P
RDHRD561310P	RD-5-6131-0P
RDHRD561320P	RD-5-6132-0P
RDHRD561640P	75R8262
RDHRD561700P	75R9780
RDHRD561710P	75R9790
RDHRD562050P	RD-5-6205-0P
RDHRD562110P	RD-5-6211-0P
RDHRD562200P	72R2105
RDHRD562240P	75R9220
RDHRD562320P	75R9890
RDHRD562330P	75R9900
RDHRD562340P	75R9910
RDHRD562390P	RD-5-6239-0P
RDHRD562400P	78R5340
RDHRD563170M	RD-5-6317-0M
RDHRD563180M	RD-5-6318-0M
RDHRD563200P	71R3575
RDHRD563650P	75R8294
RDHRD563940P	71R6080
RDHRD563950P	71R6040
RDHRD563951P	71R6045
RDHRD563960P	71R6090
RDHRD563970P	71R6020
RDHRD563980P	75R9950
RDHRD5641072P	RD-5-6410-72P
RDHRD564150P	75R6041
RDHRD564220P	74R3316
RDHRD564230P	RD-5-6423-0P
RDHRD564250P	RD-5-6425-0P
RDHRD564271P	78R5500
RDHRD564290P	71R3150
RDHRD564300P	71R6110
RDHRD564400P	73R0062
RDHRD564500P	71R1455

CROSS REFERENCE

O.E.M. PART NUMBER CROSS REFERENCE

Convert Other Part Numbers to Red Dot Aftermarket Numbers

CROSS
REFERENCE

VOLVO	
RDHRD564590P	RD-5-6459-0P
RDHRD564740P	70R4306
RDHRD564750P	70R4406
RDHRD564760P	70R4396
RDHRD564770P	70R4496
RDHRD564780P	70R4308
RDHRD564790P	70R4408
RDHRD564800P	70R4398
RDHRD564810P	70R4498
RDHRD564820P	70R4301
RDHRD564830P	70R4401
RDHRD564850P	70R4491
RDHRD564870P	70R4591
RDHRD564880P	70R4598
RDHRD564930P	70R4641
RDHRD565010P	70R4791
RDHRD565040P	74R2306
RDHRD565050P	70R4701
RDHRD565110P	70R4446
RDHRD565130P	79R5020
RDHRD565200P	70R4696
RDHRD565220P	70R4998
RDHRD565240P	70R4991
RDHRD565250P	70R4441
RDHRD565260P	73R0422
RDHRD565261P	73R0402
RDHRD565262P	73R0352
RDHRD565270P	70R4346
RDHRD565280P	RD-5-6528-0P
RDHRD565290P	RD-5-6529-0P
RDHRD565310P	73R0322
RDHRD56532120P	78R0075
RDHRD56532360P	RD-5-6532-360P
RDHRD565370P	RD-5-6537-0P
RDHRD565470P	75R6040
RDHRD565550P	72R2110
RDHRD565620P	70R4691
RDHRD565672P	74R3466
RDHRD565750P	74R1846
RDHRD566000P	70R5210
RDHRD566020P	71R1310
RDHRD566221M	RD-5-6622-1M
RDHRD566250P	75R8412
RDHRD566291P	71R7750
RDHRD566310P	RD-5-6631-0P
RDHRD566390P	71R6115
RDHRD566460P	75R0182
RDHRD566511P	73R6381
RDHRD5666746P	72R8315
RDHRD566770P	RD-5-6677-0P
RDHRD566780P	78R2080

VOLVO	
RDHRD566830P	78R2100
RDHRD566890P	RD-5-6689-0P
RDHRD566900P	71R1902
RDHRD566910M	70R5110
RDHRD566930P	71R1904
RDHRD566940P	RD-5-6694-0P
RDHRD567090P	RD-5-6709-0P
RDHRD567130P	71R0020
RDHRD567140P	71R1315
RDHRD567150P	RD-5-6715-0P
RDHRD567190P	70R4448
RDHRD567280P	RD-5-6728-0P
RDHRD567540P	RD-5-6754-0P
RDHRD567560P	RD-5-6756-0P
RDHRD567570P	RD-5-6757-0P
RDHRD567670P	RD-5-6767-0P
RDHRD567681P	74R3322
RDHRD567800P	71R8410
RDHRD567810P	RD-5-6781-0P
RDHRD5678524P	73R0984
RDHRD567980P	RD-5-6798-0P
RDHRD567990P	RD-5-6799-0P
RDHRD568010P	73R4182
RDHRD568020P	72R8270
RDHRD568030P	72R8280
RDHRD568040P	71R0460
RDHRD568330P	71R6120
RDHRD568340P	71R6130
RDHRD568350P	71R6140
RDHRD568380P	70R4406S
RDHRD568400P	70R4498S
RDHRD568410P	70R4401S
RDHRD568640P	RD-5-6864-0P
RDHRD568670P	78R5350
RDHRD568680P	71R8301
RDHRD568681P	71R8301
RDHRD568740P	RD-5-6874-0P
RDHRD569120M	RD-5-6912-0M
RDHRD569170P	RD-5-6917-0P
RDHRD569172P	72R9005
RDHRD569190P	75R84522
RDHRD569202P	RD-5-6920-2P
RDHRD569240P	RD-5-6924-0P
RDHRD569400P	RD-5-6940-0P
RDHRD569420P	70R4346S
RDHRD569430P	70R4446S
RDHRD569440P	70R4396S
RDHRD569450M	RD-5-6945-0M
RDHRD569450P	70R4496S
RDHRD569460P	70R4308S
RDHRD569470P	70R4408S

VOLVO	
RDHRD569480P	70R4448S
RDHRD569490P	70R4398S
RDHRD569510P	70R4301S
RDHRD569530P	70R4341S
RDHRD569540P	70R4441S
RDHRD569550P	70R4391S
RDHRD569560P	70R4491S
RDHRD569690P	73R4064
RDHRD569700P	73R7110
RDHRD569701P	73R7120
RDHRD569780P	70R4691S
RDHRD569790P	70R4701S
RDHRD569870P	72R2351
RDHRD569940P	71R7100
RDHRD570150P	71R8321
RDHRD570230P	75R8522
RDHRD570240P	RD-5-7024-0P
RDHRD5703172P	RD-5-7031-72P
RDHRD570360P	RD-5-7036-0P
RDHRD570380P	71R6135
RDHRD570570P	70R2078S
RDHRD570580P	70R2071S
RDHRD570610P	74R2576
RDHRD570611P	74R2536
RDHRD570612P	74R2526
RDHRD570621P	74R1826
RDHRD570630P	74R1866
RDHRD570640P	74R0460
RDHRD570680P	70R2078
RDHRD570690P	70R2071
RDHRD570710P	70R3530
RDHRD570720P	70R2076
RDHRD570730P	70R2072
RDHRD570740P	70R2076S
RDHRD570750P	70R2072S
RDHRD570880P	75R8382
RDHRD570890P	75R8384
RDHRD570900P	75R8372
RDHRD570910P	75R8374
RDHRD571003P	RD-5-7100-3P
RDHRD571004P	RD-5-7100-4P
RDHRD571030P	79R4580
RDHRD571050M	79R0010
RDHRD571060M	79R0020
RDHRD571100P	RD-5-7110-0P
RDHRD571190P	70R6498S
RDHRD571200P	75R8422
RDHRD571230P	73R8080
RDHRD571240P	75R8424
RDHRD571290P	73R0542
RDHRD5712924P	73R0544

VOLVO	
RDHRD5714424P	RD-5-7144-24P
RDHRD571450P	75R8612
RDHRD571550P	71R8400
RDHRD571630P	75R8614
RDHRD571640P	75R8632
RDHRD571650P	75R8634
RDHRD571660P	79R4585
RDHRD571780P	RD-5-7178-0P
RDHRD571810P	71R0872
RDHRD571830P	71R0854
RDHRD571860P	71R8499
RDHRD57188035M	71R8991
RDHRD571920P	71R1330
RDHRD571960M	RD-5-7196-0M
RDHRD571970P	RD-5-7197-0P
RDHRD572150P	71R0852
RDHRD572230P	70R6448
RDHRD572250P	70R6598S
RDHRD572310P	70R6491S
RDHRD572320P	71R1912
RDHRD572330P	71R1914
RDHRD572350P	RD-5-7235-0P
RDHRD572360P	70R7006
RDHRD572420P	79R6700
RDHRD572540P	RD-5-7254-0P
RDHRD572550P	RD-5-7255-0P
RDHRD572560P	RD-5-7256-0P
RDHRD572601P	RD-5-7260-1P
RDHRD572620P	78R5290
RDHRD572720P	74R2546
RDHRD572770M	75R5813
RDHRD572780M	75R5814
RDHRD572830P	70R6496
RDHRD572920P	74R3336
RDHRD572970P	73R8100
RDHRD573060P	75R5806
RDHRD573100P	75R5801
RDHRD573110P	73R6350
RDHRD573120P	73R6300
RDHRD573180P	75R5668
RDHRD573200P	75R5661
RDHRD573640P	71R3250
RDHRD573641P	RD-5-7364-1P
RDHRD573730P	75R8442
RDHRD573920P	70R4206
RDHRD573930P	70R4296
RDHRD573940P	70R4106
RDHRD573950P	70R4196
RDHRD573960P	70R6006
RDHRD573970P	70R6096
RDHRD573980P	70R4506

O.E.M. PART NUMBER CROSS REFERENCE

Convert Other Part Numbers to Red Dot Aftermarket Numbers

VOLVO	
RDHRD573990P	70R4546
RDHRD574010P	70R4596
RDHRD574030P	70R4706
RDHRD574040P	70R4796
RDHRD574050P	70R4006S
RDHRD574060P	70R4096S
RDHRD574100P	70R2016
RDHRD574110P	70R2086
RDHRD574130P	70R2096
RDHRD574140P	70R2116
RDHRD574170P	70R4208
RDHRD574180P	70R4298
RDHRD574190P	70R4108
RDHRD574200P	70R4198
RDHRD574230P	70R4348
RDHRD574240P	70R4798
RDHRD574250P	70R6008
RDHRD574260P	70R6098
RDHRD574270P	70R4508
RDHRD574280P	70R4548
RDHRD574300P	75R5678
RDHRD574310P	70R4008S
RDHRD574320P	70R4098S
RDHRD574370P	75R5848
RDHRD574380P	75R5858
RDHRD574390P	75R5838
RDHRD574400P	70R2018
RDHRD574410P	70R2088
RDHRD574430P	70R2098
RDHRD574450P	70R4698
RDHRD574460P	70R2118
RDHRD574470P	70R4201
RDHRD574480P	70R4291
RDHRD574490P	70R4101
RDHRD574500P	70R4191
RDHRD574510P	70R4341
RDHRD574520P	70R6001
RDHRD574540P	70R4541
RDHRD574560P	75R5671
RDHRD574570P	70R4001S
RDHRD574580P	70R4091S
RDHRD574600P	70R2091
RDHRD574610P	70R2011
RDHRD574620P	70R2081
RDHRD574630P	70R2111
RDHRD574670P	70R4202
RDHRD574680P	70R4292
RDHRD574690P	70R4102
RDHRD574700P	70R4192
RDHRD574710P	70R4402
RDHRD574720P	70R4602

VOLVO	
RDHRD574730P	70R4442
RDHRD574760P	70R4342
RDHRD574770P	70R4392
RDHRD574780P	70R4502
RDHRD574800P	75R5672
RDHRD574810P	70R4002S
RDHRD574820P	70R4092S
RDHRD574870P	75R5842
RDHRD574880P	75R5852
RDHRD574890P	75R5832
RDHRD574900P	70R2012
RDHRD574910P	70R2092
RDHRD574920P	70R2082
RDHRD574930P	70R2112
RDHRD574940P	75R5802
RDHRD574950P	70R4601S
RDHRD575170P	74R3136
RDHRD575171P	74R3376
RDHRD575220P	75R8432
RDHRD575230M	75R5560
RDHRD575240M	75R5570
RDHRD575300P	70R2036
RDHRD575310P	70R2038
RDHRD575320P	70R2031
RDHRD575330P	70R4501
RDHRD575340P	70R4606
RDHRD575350P	70R4601
RDHRD575370P	70R6091
RDHRD575390P	75R5808
RDHRD575430P	70R4641S
RDHRD575460P	70R6496S
RDHRD575480P	75R8312
RDHRD575590P	74R1106
RDHRD575630P	74R3476
RDHRD575640P	74R3526
RDHRD575650P	74R3536
RDHRD575660P	75R8184
RDHRD575670P	71R8370
RDHRD575681P	74R2686
RDHRD575700M	74R8006
RDHRD575752P	RD-5-7575-2P
RDHRD575753P	RD-5-7575-3P
RDHRD575760P	RD-5-7576-0P
RDHRD575790P	RD-5-7579-0P
RDHRD575800P	RD-5-7580-0P
RDHRD575811P	RD-5-7581-1P
RDHRD57582600P	78R0110
RDHRD576030P	70R2066
RDHRD576040P	70R2068
RDHRD576050P	70R2061
RDHRD576070P	RD-5-7607-0P

VOLVO	
RDHRD576100P	75R8394
RDHRD576120P	70R4996
RDHRD576130P	75R5648
RDHRD576140P	75R5641
RDHRD576270P	RD-5-7627-0P
RDHRD576290P	70R4506S
RDHRD576300P	RD-5-7630-0P
RDHRD576320P	70R7008S
RDHRD576350M	RD-5-7635-0M
RDHRD576370P	70R6441
RDHRD576410P	70R5091S
RDHRD576610P	70R4501S
RDHRD576880P	75R5768
RDHRD576900P	75R5761
RDHRD577000P	RD-5-7700-0P
RDHRD577040P	75R6545
RDHRD577210P	RD-5-7721-0P
RDHRD577250M	RD-5-7725-0M
RDHRD577310P	79R1520
RDHRD577320P	79R1525
RDHRD577330P	70R4492S
RDHRD577400P	70R4402S
RDHRD577600P	72R5250
RDHRD577601P	72R5220
RDHRD577602P	72R5230
RDHRD577603P	72R5240
RDHRD577860P	79R1504
RDHRD577870P	79R1503
RDHRD577880P	79R1502
RDHRD577890P	79R1516
RDHRD577900P	79R1518
RDHRD577910P	79R1521
RDHRD577920P	79R1522
RDHRD578050P	70R4306S
RDHRD578060P	78R0456SPD
RDHRD578070P	71R1320
RDHRD578080P	78R0458SPD
RDHRD578090P	71R1325
RDHRD578100P	78R0451SPD
RDHRD578120P	78R0452SPD
RDHRD578290P	75R5122
RDHRD578300P	75R5124
RDHRD578310P	75R0192
RDHRD578320P	75R0194
RDHRD578330P	75R5112
RDHRD578340P	75R5114
RDHRD578350P	RD-5-7835-0P
RDHRD578360P	70R6406
RDHRD578470P	76R7505
RDHRD579560P	79R5025
RDHRD579640P	75R5815

VOLVO	
RDHRD579660P	75R5688
RDHRD579670P	75R5681
RDHRD579820P	75R5007
RDHRD579870P	75R6019
RDHRD579880P	RD-5-7988-0P
RDHRD579930P	RD-5-7993-0P
RDHRD579990P	72R9000
RDHRD579991P	RD-5-7999-1P
RDHRD580020M	RD-5-8002-0M
RDHRD580080P	74R3310
RDHRD580090P	75R0612
RDHRD580100P	75R8505
RDHRD580120P	78R1470
RDHRD580170P	70R7001S
RDHRD580260P	71R6095
RDHRD580290P	73R2212
RDHRD580320P	73R4122
RDHRD580340P	72R5110
RDHRD580390P	79R5030
RDHRD580431125P	RD-5-8043-11.25P
RDHRD580510P	RD-5-8051-0P
RDHRD580580P	70R4692S
RDHRD580601P	75R7285
RDHRD580611P	75R7295
RDHRD580620P	79R4595
RDHRD5807324P	73R0474
RDHRD580750P	71R4060
RDHRD580760P	78R5360
RDHRD580780P	78R5365
RDHRD580790P	78R5380
RDHRD580830P	72R5280
RDHRD580920P	73R7200
RDHRD580921P	73R7210
RDHRD580990P	79R5050
RDHRD581000P	71R8423
RDHRD581050P	78R5315
RDHRD581060P	78R5375
RDHRD581260P	73R4242
RDHRD581310P	RD-5-8131-0P
RDHRD581340P	71R4063
RDHRD581350P	72R7105
RDHRD581540P	RD-5-8154-0P
RDHRD581800P	RD-5-8180-0P
RDHRD581840P	75R5871S
RDHRD581881P	RD-5-8188-1P
RDHRD581931P	72R5357
RDHRD581932P	72R5350
RDHRD581950P	70R4791S
RDHRD582030P	73R0962
RDHRD582040P	73R0432
RDHRD582100P	71R1910

CROSS REFERENCE

O.E.M. PART NUMBER CROSS REFERENCE

Convert Other Part Numbers to Red Dot Aftermarket Numbers

CROSS
REFERENCE

VOLVO	
RDHRD582120P	73R0222
RDHRD582180P	71R6160
RDHRD582190P	71R6170
RDHRD582200P	71R6180
RDHRD582320P	RD-5-8232-0P
RDHRD582340P	70R2406
RDHRD582350P	70R2408
RDHRD582360P	70R2401
RDHRD582370P	70R2402
RDHRD582400P	74R3346
RDHRD582410P	74R3076
RDHRD582540P	74R3356
RDHRD582550P	73R0982
RDHRD582560P	71R0480
RDHRD582570P	71R3300
RDHRD582610P	70R4302S
RDHRD582620P	70R4348S
RDHRD582630P	70R4392S
RDHRD582640P	70R4342S
RDHRD582650P	70R2011S
RDHRD582660P	70R2012S
RDHRD582670P	70R2016S
RDHRD582680P	70R2018S
RDHRD582690P	70R2061S
RDHRD582700P	70R2062S
RDHRD582710P	70R2066S
RDHRD582720P	70R2068S
RDHRD582730P	70R2031S
RDHRD582740P	70R2036S
RDHRD582750P	70R4706S
RDHRD582760P	70R4796S
RDHRD582770P	70R4508S
RDHRD582780P	70R4591S
RDHRD582790P	70R4596S
RDHRD582800P	70R4598S
RDHRD582810P	70R7002S
RDHRD582820P	70R6492S
RDHRD582830P	70R4606S
RDHRD582840P	70R4608S
RDHRD582850P	70R4646S
RDHRD582860P	70R4696S
RDHRD582870P	71R6210
RDHRD582880P	71R6220
RDHRD582910P	79R1710
RDHRD582920M	75R557S
RDHRD583080P	73R0072
RDHRD5831032P	RD-5-8310-32P
RDHRD5831040P	RD-5-8310-40P
RDHRD583150P	71R0862
RDHRD583290P	79R400S
RDHRD583340M	75R5200

VOLVO	
RDHRD583350P	75R6540
RDHRD583360P	75R6550
RDHRD583370P	75R6520
RDHRD583380P	75R6510
RDHRD583390P	75R6500
RDHRD583400P	75R6530
RDHRD583740P	RD-5-8374-0P
RDHRD583750P	RD-5-8375-0P
RDHRD583770P	71R312S
RDHRD583820P	75R4534
RDHRD583930P	70R3510S
RDHRD583940P	RD-5-8394-0P
RDHRD583970P	RD-5-8397-0P
RDHRD584020P	75R5878S
RDHRD584050P	70R4006
RDHRD584120P	RD-5-8412-0P
RDHRD584211P	RD-5-8421-1P
RDHRD584240P	RD-5-8424-0P
RDHRD584330P	71R707S
RDHRD584360P	72R3120
RDHRD584540P	RD-5-8454-0P
RDHRD584590P	71R0030
RDHRD584620P	70R4442S
RDHRD584630P	70R4698S
RDHRD584810P	79R150S
RDHRD584840P	RD-5-8484-0P
RDHRD584841P	RD-5-8484-1P
RDHRD584871P	RD-5-8487-1P
RDHRD584900P	71R1610
RDHRD585260P	73R5512
RDHRD585261P	73R5514
RDHRD585350P	71R1262
RDHRD5853524P	71R1264
RDHRD585370P	70R6006S
RDHRD585380P	70R6008S
RDHRD585390P	70R4416S
RDHRD585590P	73R8554
RDHRD585720P	RD-5-8572-0P
RDHRD585820P	78R5240
RDHRD585830P	73R5552
RDHRD585831P	73R5554
RDHRD585850P	RD-5-8585-0P
RDHRD585870P	RD-5-8587-0P
RDHRD586050P	74R0470
RDHRD586130P	RD-5-8613-0P
RDHRD586140P	RD-5-8614-0P
RDHRD586180P	73R6051
RDHRD586220P	RD-5-8622-0P
RDHRD586275P	73R8612
RDHRD586276P	73R8614
RDHRD586312P	73R8582

VOLVO	
RDHRD586313P	73R8584
RDHRD586360M	RD-5-8636-0M
RDHRD586370P	75R7280
RDHRD586380P	75R7290
RDHRD586381P	75R729S
RDHRD586410P	RD-5-8641-0P
RDHRD586411P	RD-5-8641-1P
RDHRD586504P	RD-5-8650-4P
RDHRD586505P	RD-5-8650-5P
RDHRD586540P	71R4020
RDHRD586541P	71R4010
RDHRD586542P	71R4011
RDHRD586650P	71R148S
RDHRD586730P	71R410S
RDHRD586800P	75R8354
RDHRD586802P	RD-5-8680-2P
RDHRD587032P	73R8562
RDHRD587033P	73R8564
RDHRD587050P	RD-5-8705-0P
RDHRD587051P	RD-5-8705-1P
RDHRD587090P	73R0562
RDHRD587330P	RD-5-8733-0P
RDHRD587471P	RD-5-8747-1P
RDHRD587474P	73R8652
RDHRD587475P	73R8654
RDHRD587476P	RD-5-8747-6P
RDHRD587590P	RD-5-8759-0P
RDHRD587591P	73R8702
RDHRD587620P	RD-5-8762-0P
RDHRD587660P	75R8652
RDHRD587670P	75R8662
RDHRD587710P	71R117S
RDHRD587720P	70R6506
RDHRD587730P	70R6508
RDHRD587740P	70R6501
RDHRD587852P	73R8592
RDHRD587853P	73R8594
RDHRD587854P	RD-5-8785-4P
RDHRD587901P	RD-5-8790-1P
RDHRD587910P	71R3573
RDHRD588040P	72R6400
RDHRD588041P	RD-5-8804-1P
RDHRD588042P	RD-5-8804-2P
RDHRD588050P	73R2232
RDHRD588290P	RD-5-8829-0P
RDHRD588300P	71R0522
RDHRD588310P	71R0532
RDHRD588350P	73R5522
RDHRD588360P	73R5524
RDHRD588370P	73R5532
RDHRD588371P	73R5642

VOLVO	
RDHRD588380P	73R5534
RDHRD588490M	75R5510
RDHRD588500P	75R5819
RDHRD588510P	75R5820
RDHRD588570P	72R6420
RDHRD588573P	72R642S
RDHRD588590P	72R6410
RDHRD588620P	74R0400
RDHRD588840P	75R8644
RDHRD588850M	RD-5-8885-0M
RDHRD588860M	RD-5-8886-0M
RDHRD588950P	79R9516
RDHRD588960P	79R9518
RDHRD588970P	79R9521
RDHRD588980P	70R9406S
RDHRD588990P	70R9408S
RDHRD589000P	70R9401S
RDHRD589010P	70R9906S
RDHRD589020P	70R9908S
RDHRD589030P	70R9901S
RDHRD589040P	70R9496S
RDHRD589050P	70R9498S
RDHRD589060P	70R9491S
RDHRD589070P	70R9996S
RDHRD589080P	70R9998S
RDHRD589090P	70R9991S
RDHRD589100P	70R9306S
RDHRD589110P	70R9308S
RDHRD589120P	70R9301S
RDHRD589130P	70R9396S
RDHRD589140P	70R9398S
RDHRD589150P	70R9391S
RDHRD589160P	70R9016S
RDHRD589170P	70R9018S
RDHRD589180P	70R9011S
RDHRD589190P	70R9076S
RDHRD589200P	70R9078S
RDHRD589210P	70R9071S
RDHRD589220P	73R0612
RDHRD589230P	71R146S
RDHRD589250M	RD-5-8925-0M
RDHRD589260P	72R4532
RDHRD589280P	72R3157
RDHRD589350P	72R6510
RDHRD589360P	71R8430
RDHRD589380P	71R3160
RDHRD589390P	70R9402S
RDHRD589400P	70R9492S
RDHRD589410P	70R9012S
RDHRD589430P	72R651S
RDHRD589440P	75R8532

O.E.M. PART NUMBER CROSS REFERENCE

Convert Other Part Numbers to Red Dot Aftermarket Numbers

VOLVO	
RDHRD589450P	75R8252
RDHRD589460P	71R6125
RDHRD589470P	73R6270
RDHRD589480P	73R5562
RDHRD589500P	79R9522
RDHRD589510P	70R9791S
RDHRD589520P	70R9072S
RDHRD589550P	70R9001S
RDHRD589560P	70R9091S
RDHRD589570P	70R9701S
RDHRD589580P	79R4600
RDHRD589610P	79R4615
RDHRD589620P	78R9456
RDHRD589630P	78R9458
RDHRD589640P	78R9451
RDHRD589650P	78R9452
RDHRD589670P	71R0840
RDHRD589880P	71R3571
RDHRD589950P	71R0884
RDHRD590000P	RD-5-9000-0P
RDHRD590012P	RD-5-9001-2P
RDHRD590030P	RD-5-9003-0P
RDHRD590031P	RD-5-9003-1P
RDHRD590032P	RD-5-9003-2P
RDHRD590033P	RD-5-9003-3P
RDHRD590110P	RD-5-9011-0P
RDHRD590130P	RD-5-9013-0P
RDHRD590180P	RD-5-9018-0P
RDHRD590181P	RD-5-9018-1P
RDHRD590210P	71R3578
RDHRD5902232P	RD-5-9022-32P
RDHRD590226P	RD-5-9022-6P
RDHRD590240P	72R3130
RDHRD590280P	75R8542
RDHRD590370P	71R0512
RDHRD590510P	73R5542
RDHRD590530P	72R3140
RDHRD590550P	74R4206
RDHRD590590P	75R8544
RDHRD590610M	70R5052
RDHRD590620P	71R1480
RDHRD590762P	73R8642
RDHRD590763P	73R8644
RDHRD590770P	78R5410
RDHRD590820P	71R8505
RDHRD590840M	70R5115
RDHRD590880P	75R8332
RDHRD590900P	RD-5-9090-0P
RDHRD590950P	RD-5-9095-0P
RDHRD590960P	RD-5-9096-0P
RDHRD590970P	RD-5-9097-0P

VOLVO	
RDHRD591000P	73R0462
RDHRD591020P	RD-5-9102-0P
RDHRD591040P	RD-5-9104-0P
RDHRD591050P	RD-5-9105-0P
RDHRD591060P	RD-5-9106-0P
RDHRD591070P	RD-5-9107-0P
RDHRD591080P	RD-5-9108-0P
RDHRD591090P	RD-5-9109-0P
RDHRD591101P	RD-5-9110-1P
RDHRD591130P	RD-5-9113-0P
RDHRD591150P	RD-5-9115-0P
RDHRD591180P	RD-5-9118-0P
RDHRD591190P	74R3060
RDHRD591300P	78R5245
RDHRD591330M	71R4065
RDHRD591400P	RD-5-9140-0P
RDHRD591460P	RD-5-9146-0P
RDHRD591520P	72R4010
RDHRD591530P	72R4000
RDHRD591540P	75R8510
RDHRD591550P	75R8515
RDHRD591560P	75R8520
RDHRD591570P	72R4400
RDHRD591580P	72R4500
RDHRD591590P	72R4510
RDHRD591940P	73R5572
RDHRD5919424P	73R5574
RDHRD592040P	73R5622
RDHRD592041P	73R5624
RDHRD592161P	RD-5-9216-1P
RDHRD592180M	75R5833
RDHRD592190M	75R5834
RDHRD592210P	RD-5-9221-0P
RDHRD592220P	RD-5-9222-0P
RDHRD592240P	72R5360
RDHRD592241P	72R5285
RDHRD5922536P	72R8255
RDHRD592330P	78R5363
RDHRD592340P	78R5361
RDHRD592380P	RD-5-9238-0P
RDHRD592490P	75R1412
RDHRD592500P	75R1414
RDHRD592510P	75R8462
RDHRD592530P	RD-5-9253-0P
RDHRD592540P	RD-5-9254-0P
RDHRD592670P	RD-5-9267-0P
RDHRD592950P	78R5001
RDHRD592960P	78R5111
RDHRD592970P	78R5101
RDHRD593010P	78R5201
RDHRD593020P	78R5211

VOLVO	
RDHRD593030P	78R5212
RDHRD593080P	78R5501
RDHRD593211P	RD-5-9321-1P
RDHRD594150P	72R6540
RDHRD594190P	74R2590
RDHRD594250P	72R3150
RDHRD594260P	72R3155
RDHRD594320P	RD-5-9432-0P
RDHRD594350P	79R6020
RDHRD594360P	79R6050
RDHRD594370P	71R1402
RDHRD594400P	74R3070
RDHRD594432P	72R8260
RDHRD594434P	72R8275
RDHRD594450P	71R1401
RDHRD594470P	71R1403
RDHRD594480P	71R1404
RDHRD594490P	71R1405
RDHRD594550P	74R1836
RDHRD594560P	75R1302
RDHRD594580P	75R8464
RDHRD595130P	71R8380
RDHRD595150P	74R2676
RDHRD595350P	RD-5-9535-0P
RDHRD595370M	RD-5-9537-0M
RDHRD595560P	74R5060
RDHRD595600P	77R1320
RDHRD595770P	71R6150
RDHRD596090P	75R85032
RDHRD596091P	75R8552
RDHRD596097P	RD-5-9609-7P
RDHRD596098P	75R8712
RDHRD596110P	75R8507
RDHRD596160P	77R1602
RDHRD596170P	77R1612
RDHRD596180P	77R1614
RDHRD596330P	79R4561
RDHRD596340P	79R4562
RDHRD596350P	79R4563
RDHRD596380P	RD-5-9638-0P
RDHRD596490P	78R5215
RDHRD596500P	78R5225
RDHRD596550P	75R0232
RDHRD596570P	75R4732
RDHRD596590P	75R4734
RDHRD596620P	RD-5-9662-0P
RDHRD596660P	75R4772
RDHRD596670P	RD-5-9667-0P
RDHRD596770P	RD-5-9677-0P
RDHRD596820P	RD-5-9682-0P
RDHRD596830P	70R84202S

VOLVO	
RDHRD596870P	70R94306S
RDHRD596900P	70R94601S
RDHRD596910P	70R97701S
RDHRD596920P	70R94406S
RDHRD596930P	70R97006S
RDHRD596940P	70R94408S
RDHRD596950P	70R97008S
RDHRD597000P	70R84441S
RDHRD597010P	70R84641S
RDHRD597020P	70R84446S
RDHRD597030P	70R84448S
RDHRD597040P	70R84991S
RDHRD597050P	70R84791S
RDHRD597070P	70R84396S
RDHRD597080P	70R84398S
RDHRD597090P	70R94991S
RDHRD597100P	70R96491S
RDHRD597110P	70R94691S
RDHRD597130P	70R95091S
RDHRD597140P	70R94696S
RDHRD597150P	70R96496S
RDHRD597160P	70R94498S
RDHRD597180P	70R96598S
RDHRD597190P	70R94391S
RDHRD597200P	70R94591S
RDHRD597220P	70R94396S
RDHRD597250P	70R94641S
RDHRD597260P	70R96741S
RDHRD597270P	70R96448S
RDHRD597290P	70R84541S
RDHRD597300P	70R84741S
RDHRD597310P	70R84546S
RDHRD597320P	70R84548S
RDHRD597330P	70R84401S
RDHRD597340P	70R84601S
RDHRD597350P	70R84402S
RDHRD597360P	70R84406S
RDHRD597370P	70R84408S
RDHRD597380P	70R84491S
RDHRD597390P	70R84691S
RDHRD597400P	70R84492S
RDHRD597410P	70R84496S
RDHRD597420P	70R84498S
RDHRD597430P	70R84241S
RDHRD597440P	70R84251S
RDHRD597450P	70R84242S
RDHRD597460P	70R84246S
RDHRD597470P	70R84248S
RDHRD597480P	70R84291S
RDHRD597490P	70R84891S
RDHRD597510P	70R84296S

CROSS REFERENCE

O.E.M. PART NUMBER CROSS REFERENCE

Convert Other Part Numbers to Red Dot Aftermarket Numbers

CROSS
REFERENCE

VOLVO	
RDHRD597520P	70R84298S
RDHRD597530P	70R84301S
RDHRD597540P	70R84701S
RDHRD597550P	70R84321S
RDHRD597560P	70R84306S
RDHRD597570P	70R84308S
RDHRD597580P	70R84001S
RDHRD597590P	70R84051S
RDHRD597600P	70R84002S
RDHRD597610P	70R84006S
RDHRD597620P	70R84008S
RDHRD597630P	75R75678S
RDHRD597640P	75R75858S
RDHRD597650P	75R75838S
RDHRD597660P	75R75158S
RDHRD597670P	75R75142S
RDHRD597680P	75R75152S
RDHRD597690P	75R75672S
RDHRD597700P	75R75832S
RDHRD597710P	75R75852S
RDHRD597860P	74R3370
RDHRD597890P	74R3106
RDHRD597980P	75R1222
RDHRD597990P	75R1422
RDHRD598020P	75R0662
RDHRD598060M	75R5525
RDHRD598070P	71R8503
RDHRD598080P	79R1650
RDHRD598090M	70R5120
RDHRD598100M	70R5125
RDHRD598120P	75R5705
RDHRD598140P	75R5691
RDHRD598150P	75R5824
RDHRD598160P	75R5825
RDHRD598170P	75R5827
RDHRD598180P	75R5829
RDHRD598330P	71R1160
RDHRD598790P	RD-5-9879-0P
RDHRD598840P	RD-5-9884-0P
RDHRD598850P	RD-5-9885-0P
RDHRD598940P	RD-5-9894-0P
RDHRD599040P	RD-5-9904-0P
RDHRD599070M	RD-5-9907-0M
RDHRD599100P	75R5738
RDHRD599150P	71R1722
RDHRD599160P	71R1460
RDHRD599350P	71R8450
RDHRD599520P	75R5728
RDHRD599530P	75R5721
RDHRD599550P	75R5722
RDHRD599560P	75R5731

VOLVO	
RDHRD599740M	75R5512
RDHRD599790M	75R5201
RDHRD599830P	79R4625
RDHRD599850P	75R8322
RDHRD599860P	79R8940
RDHRD599870P	70R5020
RDHRD599880P	70R5010
RDHRD599890P	70R5005
RDHRD599900P	71R6400
RDHRD599910P	71R6405
RDHRD599920P	RD-5-9992-0P
RDHRD646610P	71R1510
RDHRD646611P	RD-6-4661-1P
RDHRD646620P	RD-6-4662-0P
RDHRD646640P	79R1010
RDHRD646641P	RD-6-4664-1P
RDHRD646730P	79R1020
RDHRD646760P	RD-6-4676-0P
RDHRD646762P	RD-6-4676-2P
RDHRD646800P	71R3550
RDHRD646820P	RD-6-4682-0P
RDHRD646910P	71R1520
RDHRD646980P	RD-6-4698-0P
RDHRD647260P	RD-6-4726-0P
RDHRD647970P	71R3502
RDHRD647971P	RD-6-4797-1P
RDHRD647972P	71R3504
RDHRD648300P	RD-6-4830-0P
RDHRD649400P	71R5802
RDHRD649490P	RD-6-4949-0P
RDHRD649520P	RD-6-4952-0P
RDHRD650130P	RD-6-5013-0P
RDHRD650131P	RD-6-5013-1P
RDHRD650141P	71R5804
RDHRD651200P	RD-6-5120-0P
RDHRD651201P	RD-6-5120-1P
RDHRD651250P	71R8902
RDHRD910000P	75R9970
RDHRD910030P	75R9980
RDHRD910480P	75R6020
RDHRD910490P	75R6030
RDHRD910580P	75R9515
RDHRD910680P	75R6017
RDHRD910760P	75R9535
RDHRD910990P	75R9545
RDHRD911050P	75R9985
RDHRD911130P	75R9575
RDHRD911140P	75R9585
RDHRD911150P	75R9595
RDHRD911160P	75R9605
RDHRD911470P	75R9615

VOLVO	
RDHRD911490P	75R9625
RDHRD911491P	RD-9-1149-1P
RDHRD911500P	75R6015
RDHRD911660P	75R9635
RDHRD911890P	75R9645
RDHRD912500P	75R9675
RDHRD912730P	75R9715
RDHRD912941P	75R9583
RDHRD913060P	RD-9-1306-0P
RDHRD913180P	75R9550
RDHRD913190P	75R9560
RDHRD913230P	RD-9-1323-0P
RDHRD913300P	75R9895
RDHRD970080P	RD-9-7008-0P
RDHRD970201P	75R9710
RDHRD971120P	75R9785
RDHRD971130P	75R9795
RDHRD971290P	RD-9-7129-0P
RDHRD971420P	75R9805
RDHRD971480P	RD-9-7148-0P
RDHRD971550P	RD-9-7155-0P
RDHRD971670P	75R9800
RDHRD971700P	RD-9-7170-0P
RDHRD971840P	75R9620
RDHRD972080P	75R9630
RDHRD972240P	RD-9-7224-0P
RDHRD972410P	RD-9-7241-0P
RDHRD972830P	75R9720
RDHRD972860P	75R9623
RDHRD972980P	75R9410
RDHRD973030P	75R9400
RDHRD973050P	75R9405
RDHRD973060P	RD-9-7306-0P
RDHRD973110P	RD-9-7311-0P
RDHRD973120P	RD-9-7312-0P
RDHRD973300P	75R9633
RDHRD973370P	RD-9-7337-0P
RDHRD973390P	75R9960
RDHRD973860P	75R9973
RDHRD973870P	75R9565
RDHRD973880P	75R9810
RDHRD973890P	75R9815
RDHRD973900P	75R9820
RDHRD973910P	75R9825
RDHRD973920P	75R9830
RDHRD973930P	75R9835
RDHRD973940P	75R9840
RDHRD973950P	75R9845
RDHRD973960P	75R9850
RDHRD973970P	75R9855
RDHRD973980P	75R9860

VOLVO	
RDHRD973990P	75R9865
RDHRD974000P	75R9870
RDHRD974010P	75R9875
RDHRD974030P	RD-9-7403-0P
RDHRD994323P	75R9920
RDHRD994570P	75R6016
RDHRD994590P	RD-9-9459-0P
RDHRD999100P	75R6018
RDHRD999190P	75R9940
RDHRDG70350P	77R5550
SIT4626-6000	75R81582
V1091066	72R5040
V1091069	72R5050
V1091070	73R5592
V1091071	71R1455
V1092319	73R3032
V1110151	75R1402
V1110306	75R0452
V1110785	71R2300
V1111478	71R8410
V1112015	73R0522
V1112300	73R0332
V1113751	71R8050
V1117232	71R2700
V1117960	78R0401
V1117964	72R5070
V1118390	73R4532
V1118408	71R3100
V1118410	71R1457
V1118416	71R2605
V1119217	73R3032
V11493	71R1150
V1162405	72R5050
V1697520	71R1450
V176102	73R4322
V2124241	71R1457
V3131119	71R1457
V3134241	71R1457
V3193403A	71R3578
V8889022	75R3002
02-2750417	71R7500

O.E.M. PART NUMBER CROSS REFERENCE

Convert Other Part Numbers to Red Dot Aftermarket Numbers

WESTERN STAR	
02-7001224	75R3602
02-7008314	73R0552
02-7010174	71R2700
02-7010501	71R8050
02-7029595	75R8212
02-7069618	75R2552
02-7074272	75R3452
02-7074721	75R3602
02-7075298	73R0152
02-7077922	74R2106
02-7077984	74R1906
02-7077988	74R1856
02-7078047	71R2500
02-7086505	71R8100
02-7086612	73R0602
02-7086617	71R8050
02-7087487	71R2500
02-7089233	75R3452
02-7135903	75R2402
02-9041020	74R1956
03-1104964	75R0092
03-1104973	75R1202
03-1104978	75R2402
03-1105003	75R4352
04-9037384	75R3002
04-9040731	72R1502
04-9041020	74R1956
04-9042888	70R5200
04-904642	71R5052
04-9047119	71R5062
04-9047120	72R2300
04-9047994	70R2306
04-9047995	70R2301
04-9048824	72R6420
13202-0026	71R6460
1707686	73R0552
1512193	77R6817
20822-5032	75R2852
210L-25073C	75R7312
30-2750267	71R2305
30932420	75R1302
3916157	73R9082
3918479	71R6463
3918482	71R6415
3949300	75R1342
5022-3403	70R4496S
5022-3404	70R4408S
5022-3407	70R4401S
5724-3401	78R0456
5724-3402	78R0458
5724-3403	78R0451

WESTERN STAR	
60003-4401	76R2500
60004-3401	76R7530
60004-3402	76R6130
60004-3403	76R2420
60009-3405	73R0962
60010-5014	73R7000
60012-5001	73R6370
60015-3418	78R5241
60018-5004	71R0650
60018-5005	71R0550
60032-5001	71R1450
60054-4401	71R2200
60054-4421	71R3200
60303-3401	71R5102
60303-3402	71R5112
60306-5002	71R4050
60501-3403	73R9072
60521-6010	75R1402
60522-6010	75R1862
61103-5007	75R1402
61104-0013	75R8222
61104-0029	75R8292
61104-3411	75R81692
61104-3412	75R8342
61104-3417	75R81702
61104-3420	75R81582
61104-3423	75R81452
61104-3426	75R7322
61104-3451	75R7332
61190-4409	75R1872
61203-3410	R-6160-0P
61203-3415	R-6160-0-24P
61506-3402	74R2676
61506-3404	74R2676
61506-3406	74R3376
61590-3402	70R5056
61590-3403	70R5058
61590-3404	70R5051
61601-3406	78R0350
61619-3403	72R3550
677413	72R5040
72403-3402	72R0210
849601	73R0092
851402	73R0092
865236	73R0092
9040731	72R1502
9047119	71R5062
9047120	72R2300
9047994	70R2306
9047995	70R2301
97106-3406	79R0020

WESTERN STAR	
RD4427-24	71R3100
RD4430-0	71R2500
T210L-25073C	75R7312
V1110148	75R8222
V1110272	75R0202
V111051	75R1402

CROSS REFERENCE

RED DOT PART NUMBER CROSS REFERENCE

RED DOT FACTORY NUMBER	AFTERMARKET NUMBER
1761	77R9025
1866	77R9027
301136	301136
301337	301337
402284	402284
404334	404334
404379	404379
404968	404968
405513R	405513R
405625	405625
406401	406401
406402	406402
406433	406433
406434	406434
406631	406631
407310	407310
407368	407368
407800	407800
407801	407801
407813	407813
407853	407853
407955	407955
407995	407995
408019	408019
408273	408273
408378R	408378R
408628	408628
408629	408629
450761	450761
450762	450762
450809	450809
450813	450813
450814	450814
450828	450828
450829	450829
450851	450851
504019	504019
63089	63089
63259	63259
63294	63294
63337	63337
63385	63385
63405	63405
63415	63415
63420	63420
63431	63431
63458	63458
63524	63524
63529	63529
63542	63542
63549	63549
63552	63552

RED DOT FACTORY NUMBER	AFTERMARKET NUMBER
63576	63576
63578	63578
63607	63607
63623	63623
63624	63624
63639	63639
63652	63652
63673	63673
63683	63683
RD-1-0147-1P	76R2600
RD-1-0266-1P	76R3000
RD-1-0325-0P	76R3500
RD-1-0333-0P	76R2300
RD-1-0355-0P	76R1100
RD-1-0355-1P	76R1110
RD-1-0355-2P	76R1400
RD-1-0355-3P	76R1410
RD-1-0355-4P	76R1120
RD-1-0355-5P	76R1450
RD-1-0371-1P	76R2210
RD-1-0388-0P	76R3400
RD-1-0422-0P	72R3601
RD-1-0423-0P	72R3603
RD-1-0425-0P	70R7600
RD-1-0426-0P	70R7650
RD-1-0427-0P	76R0500
RD-1-0460-1P	76R2500
RD-1-0520-0P	76R3450
RD-1-0550-0P	76R3300
RD-1-0563-0P	76R2400
RD-1-0574-0P	76R2350
RD-1-0600-0P	76R4000
RD-1-0615-1P	76R1900
RD-1-0639-0P	72R4533
RD-1-0650-0P	76R3250
RD-1-0661-0P	70R7270
RD-1-0662-0P	70R7170
RD-1-0662-2P	70R7175
RD-1-0665-0P	76R2450
RD-1-0680-0P	76R3900
RD-1-0700-0P	76R3910
RD-1-0715-0P	76R3460
RD-1-0726-0P	76R1000
RD-1-0744-0P	76R3930
RD-1-0746-0P	76R2730
RD-1-0752-0P	76R2330
RD-1-0752-1P	76R2340
RD-1-0755-0P	76R2320
RD-1-0771-1P	76R1510
RD-1-0795-0P	70R7310
RD-1-0799-0P	76R1600
RD-1-0822-0P	76R2410

RED DOT FACTORY NUMBER	AFTERMARKET NUMBER
RD-1-0830-0P	76R1030
RD-1-0860-1P	78R5253M
RD-1-0860-1P	78R5253
RD-1-0958-0P	76R2010
RD-11-0054-0P	77R9020
RD-11-0092-2P	78R1705
RD-1-1201-0P	76R2420
RD-1-1281-0P	76R3920
RD-1-1326-0P	76R2550
RD-1-1364-0P	76R3470
RD-1-1370-0P	76R3455
RD-1-1379-0P	76R1860
RD-1-1401-0P	76R1550
RD-1-1419-2P	72R6554
RD-1-1478-0P	76R4200
RD-1-1480-0P	76R1870
RD-1-1603-0P	76R3420
RD-1-1614-0P	76R4300
RD-1-1651-0P	72R4534
RD-1-1746-0P	72R6562
RD-1-1748-0P	76R4020
RD-1-1755-0P	76R1560
RD-1-1919-0P	76R3950
RD-1-1965-0P	76R4023
RD-1-1975-0P	76R4305
RD-1-2006-0P	76R3465
RD-1-2069-0P	76R2740
RD-1-2079-0P	76R3940
RD-1-2246-0P	72R5355
RD-1-2333-0P	76R4100
RD-1-2379-0P	76R3943
RD-1-2557-0P	76R2155
RD-1-3659-0P	71R5817
RD-1-3660-0P	71R5819
RD-1-3661-0P	71R5821
RD-1-3662-0P	71R5823
RD-1-3912-0P	76R3925
RD-2-0750-0M	70R3006
RD-2-0861-0M	70R3008
RD-2-0871-2P	70R3906
RD-2-0872-2P	70R3901
RD-2-0993-1P	76R5200
RD-2-1051-0P	76R6500
RD-2-1060-0P	73R8100
RD-2-1121-2P	76R7100
RD-2-1156-0P	76R6700
RD-2-1195-0P	76R5500
RD-2-1272-0P	76R6310
RD-2-1316-0P	76R6350
RD-2-1370-0P	76R7070
RD-2-1381-0P	76R6950
RD-2-1402-0P	76R6150

Convert Red Dot Factory Numbers to Red Dot Aftermarket Numbers

CROSS REFERENCE

RED DOT PART NUMBER CROSS REFERENCE

CROSS
REFERENCE

RED DOT FACTORY NUMBER	AFTERMARKET NUMBER
RD-2-1470-0P	76R7700
RD-2-1480-1P	76R6180
RD-2-1485-0P	76R6850
RD-2-1495-0M	70R3001
RD-2-1510-0P	76R5000
RD-2-1590-0P	76R6140
RD-2-1610-0P	76R7010
RD-2-1616-0P	76R7520
RD-2-1633-0P	76R4900
RD-2-1650-0P	76R6440
RD-2-1655-0P	76R7510
RD-2-1660-0P	76R6120
RD-2-1664-0P	76R5300
RD-2-1755-0P	76R5520
RD-2-1766-0P	76R7550
RD-2-1862-0P	76R6160
RD-2-1898-0P	76R6130
RD-2-1909-0P	76R5030
RD-2-2047-0P	76R4920
RD-2-2423-0P	76R7530
RD-2-2440-0P	76R7560
RD-2-2495-0P	76R6550
RD-2-2502-0P	76R6960
RD-2-2775-1P	76R7020
RD-2-2780-0P	76R6655
RD-2-2791-0P	76R6015
RD-2-2885-0P	76R5700
RD-2-2897-0P	76R7715
RD-2-2928-0P	76R6040
RD-2-3008-0P	76R7030
RD-2-3070-0P	76R6650
RD-2-3251-0P	76R5320
RD-2-3279-0P	72R4535
RD-2-3321-0P	76R7570
RD-2-3395-0P	76R7580
RD-2-3398-0P	76R7710
RD-2-3410-0P	76R7720
RD-2-3413-0P	76R5820
RD-2-3425-0P	76R6130
RD-2-3629-0P	76R7725
RD-2-3683-0P	78R5291
RD-2-3683-1P	78R5291M
RD-2-3765-1P	71R8910
RD-2-3773-0P	76R6070
RD-2-3828-0P	76R7507
RD-2-3832-0P	76R6325
RD-2-3923-0P	76R7450
RD-2-4032-0P	76R7535
RD-2-4844-0P	70R3908
RD-2-4845-0P	70R3912
RD-2-5661-0P	76R5323
RD-2-6169-0P	71R5815

RED DOT FACTORY NUMBER	AFTERMARKET NUMBER
RD-2-6297-0P	76R2030
RD-2-6297-0P	76R5716
RD-2-6298-0P	76R1880
RD-2-6298-0P	76R6668
RD-2-6299-0P	76R7730
RD-2-6513-0P	76R7060
RD-2-7284-0P	76R7735
RD-2-7285-0P	76R7740
RD-2-7297-0P	76R7745
RD-2-7298-0P	76R7750
RD-2-7299-0P	78R3002
RD-2-7300-0P	78R3003
RD-2-7301-0P	78R3004
RD-2-7302-0P	78R3005
RD-2-7303-0P	78R3006
RD-2-7304-0P	78R3007
RD-2-7322-0P	78R3000
RD-2-7323-0P	78R3001
RD-2-7511-0P	78R3008
RD-2-7597-0P	78R3011
RD-2-7598-0P	78R3009
RD-2-7599-0P	78R3010
RD-3-10194-0P	76R3905
RD-3-10331-0P	78R5301
RD-3-10538-0P	73R4532
RD-3-10551-2P	71R8920
RD-3-10551-3P	71R8925
RD-3-10591-0P	78R5355
RD-3106-12-24P	73R0554
RD-3106-12P	73R0552
RD-3106-13-24P	73R0604
RD-3106-13P	73R0602
RD-3106-18-24P	73R0204
RD-3106-18P	73R0202
RD-3106-38P	73R6101
RD-3106-39P	73R6151
RD-3106-9P	73R6051
RD-3-10847-0P	78R5367
RD-3-10847-1P	78R5367M
RD-3-11046-0P	72R5203
RD-3133-9P	73R8050
RD-3-13600-0P	71R5122
RD-3-14448-0P	73R5672
RD-3-14448-1P	73R5674
RD-3-1566-2P	72R4530
RD-3196-1P	72R3510
RD-3196-3P	72R3530
RD-3196-5P	72R3550
RD-3-2557-2P	73R7151
RD-3267-1P	72R1100
RD-3-3031-0P	73R6100
RD-3-3454-0P	74R7210

RED DOT FACTORY NUMBER	AFTERMARKET NUMBER
RD-3-3751-1P	71R5212
RD-3-4804-1P	78R5310M
RD-3-4812-2P	72R4531
RD-3-4829-1P	73R7071
RD-3-4900-0P	71R1252
RD-3-5065-0P	78R5150
RD-3-6038-0M	71R3570
RD-3-6060-0P	72R4538
RD-3-6162-1P	78R5330M
RD-3-6406-1P	78R5259M
RD-3-6407-0P	78R5251
RD-3-6408-0P	78R5370
RD-3-6770-0P	73R5502
RD-3-6770-24P	73R5504
RD-3-7099-0P	78R5390
RD-3-7099-1P	78R5390M
RD-3-7331-0P	78R5238
RD-3-7822-0P	71R8310
RD-3-7838-2P	72R3010
RD-3-7838-3P	72R3020
RD-3-8416-0P	78R5246
RD-3-8416-1P	78R5246M
RD-3-8657-0P	73R1002
RD-3-8777-0P	78R5241
RD-3-8989-0P	72R2120
RD-3-9158-2P	78R5470M
RD-3-9290-0P	73R5632
RD-3-9290-24P	73R5634
RD-3-9379-0P	71R5600
RD-3-9379-1P	71R5605
RD-3-9805-0P	78R5243
RD-4123-1P	71R0100
RD-4123-2P	71R0200
RD-4124-18P	72R7280
RD-4124-20P	72R7290
RD-4124-38P	72R7600
RD-4124-76P	72R7700
RD-4125-36P	71R2250
RD-4125-48P	71R2300
RD-4125-48P	73R2300
RD-4125-66P	71R2400
RD-4126-1P	71R8050
RD-4130-1P	70R7100
RD-4151-1P	71R0500
RD-4151-2P	71R0550
RD-4151-4P	71R0600
RD-4151-6P	71R0650
RD-4151-7P	71R0700
RD-4156-108P	78R0350
RD-4157-0P	71R8300
RD-4160-1P	74R2106
RD-4172-0P	71R2310

RED DOT FACTORY NUMBER	AFTERMARKET NUMBER
RD-4177-0P	70R3206
RD-4179-0P	70R3208
RD-4180-24P	72R8190
RD-4180-29P	72R8200
RD-4180-36P	72R8250
RD-4180-46P	72R8300
RD-4180-57P	72R8360
RD-4180-76P	72R8400
RD-4180-79P	72R8410
RD-4181-0P	71R4050
RD-4183-0P	73R0152
RD-4186-0P	70R2301
RD-4187-0P	70R2306
RD-4188-0P	71R9002
RD-4188-24P	71R9004
RD-4191-0P	71R6050
RD-4220-0P	74R7220
RD-4225-1P	71R0150
RD-4225-2P	71R0300
RD-4226-0P	71R2700
RD-4257-0P	72R5050
RD-4296-0M	70R3256
RD-4317-6M	70R7050
RD-4322-1P	70R3258
RD-4-3364-0P	70R3406
RD-4-3365-0P	70R3408
RD-4-3372-3P	77R6800
RD-4340-0P	72R2300
RD-4-3434-1P	77R6900
RD-4-3508-0P	73R8110
RD-4-3586-0P	77R0350
RD-4-3595-4P	77R8200
RD-4-3646-0P	77R0800
RD-4366-0P	70R7150
RD-4-3682-0P	77R5250
RD-4-3683-2P	77R7900
RD-4370-0P	71R1652
RD-4-3714-0P	77R5910
RD-4-3722-0P	77R7800
RD-4-3723-0P	77R8100
RD-4-3724-0P	77R0650
RD-4-3727-2P	77R6920
RD-4-3745-1P	77R6925
RD-4-3874-1P	77R0500
RD-4-3901-1P	77R6980
RD-4-3916-0P	77R0950
RD-4-3917-0P	77R1100
RD-4-3945-0P	77R0700
RD-4-3990-0P	77R6930
RD-4-4069-1P	77R0110
RD-4-4130-0P	77R0260
RD-4-4144-2P	77R0250

RED DOT PART NUMBER CROSS REFERENCE

RED DOT FACTORY NUMBER	AFTERMARKET NUMBER
RD-4-4161-0P	77R0900
RD-4-4219-0P	77R6990
RD-4-4232-0P	77R0560
RD-4427-24P	71R3100
RD-4-4276-0P	77R6965
RD-4-4300-0P	77R6945
RD-4-4360-0P	77R6947
RD-4-4377-0P	77R5260
RD-4-4400-0P	77R0530
RD-4-4403-1P	77R6960
RD-4-4414-0P	77R0670
RD-4-4440-0P	77R0090
RD-4-4550-0P	77R6935
RD-4-4550-1P	77R6940
RD-4-4613-1P	77R6955
RD-4-4713-0P	77R7000
RD-4-4724-0P	77R0660
RD-4-4724-1P	77R7005
RD-4-4738-0P	77R0620
RD-4-4931-0P	77R0665
RD-4-4968-0P	77R7100
RD-4-4972-0P	77R5263
RD-4-5045-0P	77R0990
RD-4-5116-0P	77R7020
RD-4-5122-0P	77R0630
RD-4-5146-1P	77R0570
RD-4-5154-0P	77R7010
RD-4-5190-4P	77R6970
RD-4-5190-5P	77R6975
RD-4-5226-4P	77R8301
RD-4527-0P	71R6300
RD-4-5273-0P	77R6817
RD-4-5311-0P	77R1622
RD-4-5312-0P	77R1624
RD-4-5361-0P	77R1285
RD-4-5377-0P	77R1280
RD-4-5378-0P	77R1290
RD-4-5379-0P	77R1310
RD-4-5418-0P	77R1300
RD-4-5462-0P	77R0580
RD-4-5498-0P	77R1604
RD-4-5503-0P	77R1295
RD-4-5655-1P	77R6255
RD-4-5658-0P	77R6950
RD-4-5693-0P	77R1419
RD-4-5696-0P	77R6807
RD-4-5700-1-24P	77R1634
RD-4-5700-1P	77R1632
RD-4-5709-0P	77R1330
RD-4-5722-0P	77R1275
RD-4-5743-0P	77R6250
RD-4-5760-0P	77R7050

RED DOT FACTORY NUMBER	AFTERMARKET NUMBER
RD-4-5762-0P	77R1105
RD-4-5763-0P	77R7706
RD-4-5764-0P	77R7708
RD-4-5765-0P	77R7710
RD-4-5766-0P	77R7712
RD-4-5767-0P	77R7714
RD-4-5768-0P	77R7716
RD-4-5769-0P	77R7704
RD-4-5770-0P	77R7702
RD-4-5990-0P	77R1502
RD-4-5990-1P	77R1504
RD-4-6091-0P	77R1325
RD-4-6343-0P	77R0585
RD-4-6414-0P	77R7715
RD-4-6527-0P	77R6978
RD-4-6560-0P	77R6985
RD-4-6811-0P	77R6951
RD-4-6812-0P	77R1335
RD-4-7017-0P	77R6982
RD-4-7018-0P	77R0710
RD-4-7018-0P	77R1414
RD-4-7020-0P	77R0705
RD-4-7040-0P	77R6995
RD-4-7081-0P	77R8305
RD-4-7083-0-24P	77R1514
RD-4-7083-0P	77R1512
RD-4-7084-0-24P	77R1524
RD-4-7084-0P	77R1522
RD-4-7085-0-24P	77R1704
RD-4-7085-0P	77R1702
RD-4-7131-0P	77R1277
RD-4-7277-0P	77R7705
RD-4-7278-0P	77R0095
RD-4-7279-0P	77R0115
RD-4-7280-0P	77R0355
RD-4-7281-0P	77R0635
RD-4-7282-0P	77R0675
RD-4-7283-0P	77R0715
RD-4-7284-0P	77R0720
RD-4-7306-0P	77R1279
RD-4-7348-0P	77R8345
RD-4-7352-0P	77R8320
RD-4-7353-0P	77R8310
RD-4-7358-0P	77R8335
RD-4-7360-0P	77R8340
RD-4-7361-0P	77R8350
RD-4-7362-0P	77R8330
RD-4-7363-0P	77R8365
RD-4-7365-0P	77R8325
RD-4-7371-0P	77R8309
RD-4-7385-0P	77R0590
RD-4-7386-0P	77R8355

RED DOT FACTORY NUMBER	AFTERMARKET NUMBER
RD-4-7472-0P	77R8380
RD-4-7473-0P	77R8375
RD-4-7474-0P	77R8370
RD-4-7496-0P	77R8465
RD-4-7497-0P	77R8490
RD-4-7498-0P	77R8450
RD-4-7501-0P	77R8470
RD-4-7502-0P	77R8475
RD-4-7503-0P	77R8480
RD-4-7504-0P	77R8485
RD-4-7528-0P	77R8390
RD-4-7529-0P	77R8395
RD-4-7531-0P	77R8400
RD-4-7532-0P	77R8405
RD-4-7533-0P	77R8410
RD-4-7534-0P	77R8425
RD-4-7535-0P	77R8415
RD-4-7538-0P	77R8420
RD-4-7540-0P	77R8430
RD-4-7540-0P	76R7755
RD-4-7541-0P	77R8435
RD-4-7542-0P	77R8445
RD-4-7544-0P	77R8385
RD-4-7545-0P	77R8450
RD-4-7546-0P	77R8455
RD-4-7547-0P	77R8460
RD-4-7551-0P	77R8495
RD-4-7552-0P	77R8490
RD-5-0060-0P	72R1502
RD-5-0060-24P	72R1504
RD-5-0071-0P	71R0400
RD-5-10008-0P	71R6410
RD-5-10009-0P	71R6415
RD-5-10011-1P	71R8504
RD-5-10012-0P	71R8501
RD-5-10013-1P	71R8506
RD-5-10014-0P	71R8510
RD-5-10016-0P	79R1681
RD-5-10017-0P	79R9681
RD-5-10018-0P	79R1682
RD-5-10019-0P	79R9682
RD-5-10029-0P	75R7300
RD-5-10030-0P	72R3151
RD-5-10031-0P	72R3156
RD-5-10041-0P	78R5351
RD-5-10041-1P	78R5351M
RD-5-10053-0P	73R2262
RD-5-10054-0P	73R4274
RD-5-10055-0P	72R6547
RD-5-10056-0P	71R0453
RD-5-10068-0P	73R4322
RD-5-10069-1P	73R0652

RED DOT FACTORY NUMBER	AFTERMARKET NUMBER
RD-5-10070-1P	73R0142
RD-5-10071-0P	73R0082
RD-5-10072-1P	73R0642
RD-5-10073-0P	73R4312
RD-5-10074-1P	78R5258M
RD-5-10075-1P	78R5256M
RD-5-10076-1P	78R5244M
RD-5-10077-1P	78R5236M
RD-5-10078-1P	78R5252M
RD-5-10079-1P	78R5254M
RD-5-10080-1P	78R5249M
RD-5-10081-1P	78R5257M
RD-5-10082-1P	78R5255M
RD-5-10083-0P	73R8320
RD-5-10085-0M	70R5057
RD-5-10096-0P	71R6185
RD-5-10097-0P	71R6245
RD-5-10166-0P	71R6181
RD-5-10167-0P	71R6183
RD-5-10179-0P	71R8469
RD-5-10188-0P	71R0485
RD-5-10192-0P	71R0475
RD-5-10196-0P	71R0487
RD-5-10198-0M	70R5026
RD-5-10199-0M	70R5024
RD-5-10200-0M	70R5022
RD-5-10201-0P	74R5093
RD-5-10206-0P	79R4650
RD-5-10207-0P	79R4655
RD-5-10209-0P	79R1150
RD-5-10211-0P	72R2605
RD-5-10223-0P	72R5055
RD-5-10232-0P	75R0274
RD-5-10236-0P	72R3135
RD-5-10239-0P	71R3540
RD-5-10249-0P	78R5309
RD-5-10249-1P	78R5309M
RD-5-10255-2P	73R0654
RD-5-10258-0P	72R7100
RD-5-10259-0P	75R84112
RD-5-10260-0P	75R84594
RD-5-10261-0P	75R84132
RD-5-10262-0P	75R84162
RD-5-10263-0P	75R84172
RD-5-10264-0P	75R84182
RD-5-10265-0P	75R84192
RD-5-10266-0P	75R84212
RD-5-10267-0P	75R84232
RD-5-10268-0P	75R84252
RD-5-10273-0P	75R84292
RD-5-10274-0P	75R84312
RD-5-10275-0P	75R84352

CROSS
REFERENCE

RED DOT PART NUMBER CROSS REFERENCE

CROSS
REFERENCE

RED DOT FACTORY NUMBER	AFTERMARKET NUMBER
RD-5-10276-0P	75R84362
RD-5-10278-0P	75R84382
RD-5-10278-1P	75R84382Q
RD-5-10282-0P	75R84452
RD-5-10283-0P	75R83112
RD-5-10284-0P	75R83132
RD-5-10285-0P	75R84472
RD-5-10286-0P	75R84482
RD-5-10287-0P	75R84492
RD-5-10288-0P	75R83152
RD-5-10290-0P	75R84512
RD-5-10291-0P	75R84532
RD-5-10292-0P	75R84552
RD-5-10294-0P	75R84562
RD-5-10295-0P	75R84572
RD-5-10297-1P	75R84612Q
RD-5-10301-0P	75R4782
RD-5-10302-0P	75R4792
RD-5-10303-0P	75R84152
RD-5-10306-0P	71R8415
RD-5-10307-0P	75R82102
RD-5-10310-0P	75R82132
RD-5-10316-0P	75R8917
RD-5-10319-1P	75R85332Q
RD-5-10321-0P	75R85632
RD-5-10321-1P	75R85632Q
RD-5-10322-0P	75R85734
RD-5-10322-1P	75R85734Q
RD-5-10323-1P	75R85714Q
RD-5-10324-1P	75R85832Q
RD-5-10325-1P	75R85932Q
RD-5-10326-1P	75R86134Q
RD-5-10327-1P	75R86152Q
RD-5-10328-0P	75R86162
RD-5-10328-1P	75R86162Q
RD-5-10329-1P	75R86172Q
RD-5-10333-0P	71R8440
RD-5-10334-0P	71R8350
RD-5-10335-0P	71R3220
RD-5-10335-0P	71R33220
RD-5-10336-0P	73R0042
RD-5-10338-0M	70R5028
RD-5-10341-0P	71R1457
RD-5-10344-0P	72R6520
RD-5-10345-0P	72R6530
RD-5-10346-0P	73R7130
RD-5-10351-0P	71R6445
RD-5-10352-0P	71R6565
RD-5-10359-0P	75R4762
RD-5-10360-0P	75R1512
RD-5-10362-0P	75R1522
RD-5-10363-0P	75R0502

RED DOT FACTORY NUMBER	AFTERMARKET NUMBER
RD-5-10364-0P	75R0512
RD-5-10365-0P	75R0682
RD-5-10366-0P	75R0522
RD-5-10367-0P	75R0422
RD-5-10368-0P	75R1532
RD-5-10369-0P	75R1542
RD-5-10377-0P	79R0330
RD-5-10379-0P	73R0012
RD-5-10380-0P	73R2202
RD-5-10381-0P	73R2222
RD-5-10383-0P	73R2112
RD-5-10387-0P	73R2142
RD-5-10388-0P	73R2152
RD-5-10390-0P	73R0212
RD-5-10391-0P	73R0092
RD-5-10395-0P	73R3032
RD-5-10397-0P	75R1342
RD-5-10398-0P	75R0032
RD-5-10399-0P	75R0052
RD-5-10400-0P	75R0242
RD-5-10401-0P	75R4702
RD-5-10415-1P	78R5247M
RD-5-10416-0P	78R5250
RD-5-10418-0P	72R2255
RD-5-10426-1P	75R86182Q
RD-5-10427-0P	75R86194
RD-5-10427-2P	75R86194Q
RD-5-10428-1P	75R85732Q
RD-5-10431-1P	75R86092Q
RD-5-10434-1P	74R2002
RD-5-10435-0P	73R6383
RD-5-10441-0P	71R1463
RD-5-10442-0P	71R6093
RD-5-10443-0P	71R6255
RD-5-10444-0P	71R6257
RD-5-10445-0P	71R8220
RD-5-10447-0P	71R8405
RD-5-10447-0P	71R8404
RD-5-10462-0P	74R5081
RD-5-10470-0P	71R6420
RD-5-10471-0P	71R6430
RD-5-10478-0P	72R2350
RD-5-10479-0P	79R1720
RD-5-10487-0P	79R5033
RD-5-10490-0P	73R9082
RD-5-10491-0P	73R0032
RD-5-10491-24P	73R0034
RD-5-10492-0P	75R8722
RD-5-10492-1P	75R7822Q
RD-5-10493-0P	75R82142
RD-5-10498-0P	70R820765
RD-5-10499-0P	70R820785

RED DOT FACTORY NUMBER	AFTERMARKET NUMBER
RD-5-10500-0P	70R82071S
RD-5-10504-0P	78R8456SP
RD-5-10504-600P	78R8456
RD-5-10505-0P	78R8458SP
RD-5-10505-600P	78R8458
RD-5-10506-0P	78R8451SP
RD-5-10506-600P	78R8451
RD-5-10507-0P	78R8452SP
RD-5-10507-600P	78R8452
RD-5-10508-1P	70R8606
RD-5-10509-1P	70R8706
RD-5-10510-1P	70R8608
RD-5-10511-1P	70R8708
RD-5-10512-1P	70R8601
RD-5-10513-1P	70R8701
RD-5-10515-1P	70R8602
RD-5-10516-1P	70R8646
RD-5-10517-1P	70R8648
RD-5-10518-1P	70R8641
RD-5-10519-1P	70R8642
RD-5-10520-1P	70R8696
RD-5-10521-1P	70R8796
RD-5-10522-1P	70R8698
RD-5-10523-1P	70R8798
RD-5-10524-1P	70R8691
RD-5-10525-1P	70R8791
RD-5-10526-0P	75R0072
RD-5-10527-1P	70R8692
RD-5-10528-1P	70R8091
RD-5-10529-1P	70R8761
RD-5-10530-1P	70R8092
RD-5-10531-1P	70R8306
RD-5-10532-1P	70R8716
RD-5-10533-1P	70R8308
RD-5-10534-1P	70R8301
RD-5-10535-1P	70R8711
RD-5-10536-1P	70R8302
RD-5-10537-1P	70R8006
RD-5-10538-1P	70R8786
RD-5-10539-1P	70R8008
RD-5-10540-1P	70R8788
RD-5-10541-1P	70R8781
RD-5-10542-1P	70R8002
RD-5-10543-1P	70R8001
RD-5-10544-0P	75R0082
RD-5-10545-0P	75R0092
RD-5-10546-0P	71R8385
RD-5-10547-1P	70R8556
RD-5-10548-1P	70R8558
RD-5-10549-1P	70R8551
RD-5-10550-1P	70R8511
RD-5-10554-1P	70R8348

RED DOT FACTORY NUMBER	AFTERMARKET NUMBER
RD-5-10555-1P	70R8346
RD-5-10556-1P	70R8341
RD-5-10557-1P	70R8886
RD-5-10558-1P	70R8888
RD-5-10559-1P	70R8881
RD-5-10560-1P	70R8086
RD-5-10561-1P	70R8088
RD-5-10562-1P	70R8071
RD-5-10563-1P	70R8591
RD-5-10564-1P	70R8201
RD-5-10565-1P	70R8621
RD-5-10566-1P	70R8208
RD-5-10567-1P	70R8996
RD-5-10568-1P	70R8998
RD-5-10569-1P	70R8891
RD-5-10570-1P	70R8066
RD-5-10571-1P	70R8068
RD-5-10572-1P	70R8061
RD-5-10573-1P	70R8062
RD-5-10574-1P	70R8681
RD-5-10575-1P	70R8688
RD-5-10576-1P	70R8398
RD-5-10577-1P	70R8598
RD-5-10578-1P	70R8296
RD-5-10579-1P	70R8298
RD-5-10580-1P	70R8291
RD-5-10584-0P	74R3147
RD-5-10589-1P	74R3126
RD-5-10590-0P	71R1620
RD-5-10591-0P	74R2687
RD-5-10592-0P	71R6480
RD-5-10635-0P	72R5204
RD-5-10694-1P	70R82256
RD-5-10695-1P	70R82258
RD-5-10696-1P	70R82251
RD-5-10697-1P	70R82252
RD-5-10698-1P	70R82261
RD-5-10699-1P	70R8216
RD-5-10700-1P	70R8218
RD-5-10701-1P	70R8211
RD-5-10702-1P	70R8212
RD-5-10703-1P	70R8292
RD-5-10704-1P	70R8271
RD-5-10705-1P	70R8272
RD-5-10706-1P	70R8276
RD-5-10707-1P	70R8278
RD-5-10708-1P	70R8261
RD-5-10709-0M	70R8806
RD-5-10710-0M	70R8808
RD-5-10711-0M	70R8801
RD-5-10712-0M	70R8802
RD-5-10713-0M	70R8826

RED DOT PART NUMBER CROSS REFERENCE

RED DOT FACTORY NUMBER	AFTERMARKET NUMBER
RD-5-10714-0M	70R8828
RD-5-10715-0M	70R8821
RD-5-10716-0M	70R8822
RD-5-10717-0P	79R8920
RD-5-10718-0P	79R8915
RD-5-10719-1P	70R8096
RD-5-10720-1P	70R8098
RD-5-10721-1P	70R8198
RD-5-10722-0P	75R0252
RD-5-10723-0P	75R0262
RD-5-10724-0P	75R1212
RD-5-10725-0P	75R8454
RD-5-10727-0P	75R0062
RD-5-10728-1P	75R8702Q
RD-5-10729-1P	74R3318
RD-5-10734-0P	71R8090
RD-5-10735-1P	74R3157
RD-5-10736-0P	71R3155
RD-5-10737-0P	75R84632
RD-5-10738-0P	75R84622
RD-5-10739-0P	79R8930
RD-5-10740-0P	79R8931
RD-5-10741-1P	74R3320
RD-5-10744-1P	74R1436
RD-5-10744-1P	74R1437
RD-5-10744-1P	74R3326
RD-5-10745-1P	78R5420M
RD-5-10753-0P	73R6253
RD-5-10757-0P	71R8507
RD-5-10759-0P	75R1832
RD-5-10760-0P	75R1842
RD-5-10761-0P	75R1852
RD-5-10762-0P	75R1862
RD-5-10763-0P	71R6402
RD-5-10766-0P	71R6408
RD-5-10767-0P	71R6412
RD-5-10768-0P	71R6414
RD-5-10769-0P	71R6416
RD-5-10771-0P	71R6561
RD-5-10772-0P	71R6563
RD-5-10773-1P	78R5306M
RD-5-10774-0P	78R5302
RD-5-10775-0P	78R5308
RD-5-10776-0P	78R5304
RD-5-10777-0P	74R2616
RD-5-10778-0P	71R6418
RD-5-10779-0P	71R6422
RD-5-10780-0P	71R6448
RD-5-10781-0P	71R6451
RD-5-10782-0P	71R6452
RD-5-10783-0P	71R6424
RD-5-10784-0P	71R6426

RED DOT FACTORY NUMBER	AFTERMARKET NUMBER
RD-5-10787-0P	71R6434
RD-5-10788-0P	71R6454
RD-5-10789-0P	71R6450
RD-5-10790-0P	71R6456
RD-5-10795-1P	78R5353M
RD-5-10850-0P	71R6458
RD-5-10851-0P	71R6460
RD-5-10852-0P	71R6438
RD-5-10853-0P	71R6442
RD-5-10854-0P	71R6444
RD-5-10855-0P	71R6566
RD-5-10858-0P	71R6580
RD-5-10859-0P	71R6573
RD-5-10860-0P	71R6576
RD-5-10861-0P	71R6578
RD-5-10867-0P	73R0332
RD-5-10880-0P	75R89305
RD-5-10881-0P	75R89310
RD-5-10882-0P	75R89315
RD-5-10883-0P	75R89320
RD-5-10884-0P	75R89325
RD-5-10885-0P	75R89302
RD-5-10886-0P	75R89312
RD-5-10888-0P	75R89334
RD-5-10890-0P	75R89352
RD-5-10892-0P	75R89354
RD-5-10893-0P	75R89372
RD-5-10894-0P	75R89382
RD-5-10895-0P	75R89374
RD-5-10897-0P	75R89392
RD-5-10899-0P	75R89422
RD-5-10900-0P	75R89424
RD-5-10901-0P	71R6475
RD-5-10902-0P	71R8425
RD-5-10903-0P	71R8451
RD-5-10905-0P	73R0442
RD-5-10908-0M	79R0030
RD-5-10927-0P	74R5061
RD-5-10933-1P	73R8674
RD-5-10934-0P	71R1163
RD-5-10935-0P	73R7201
RD-5-10935-2P	73R7202
RD-5-10941-0P	74R3321
RD-5-10942-0M	70R5046
RD-5-10943-0M	70R5042
RD-5-11000-0P	71R6600
RD-5-11001-0P	71R6463
RD-5-11002-0P	75R84662
RD-5-11004-0P	75R89332
RD-5-11005-0P	75R89432
RD-5-11006-0P	75R89462
RD-5-11007-0P	75R89327

RED DOT FACTORY NUMBER	AFTERMARKET NUMBER
RD-5-11008-0P	75R89412
RD-5-11009-0P	75R89474
RD-5-11010-0P	75R89484
RD-5-11020-0P	71R6490
RD-5-11021-0P	71R6500
RD-5-11025-0P	75R0172
RD-5-11026-0P	71R6470
RD-5-11027-0P	71R6510
RD-5-11028-1P	74R4027
RD-5-11029-0P	71R2305
RD-5-11031-0P	71R2200
RD-5-11033-0P	71R8060
RD-5-11043-0P	79R5901
RD-5-11047-0P	75R8252
RD-5-11048-0P	75R8922
RD-5-11080-0P	79R0140
RD-5-11081-0P	79R0101
RD-5-11082-0P	79R0103
RD-5-11083-0P	79R1825
RD-5-11085-0P	79R3140
RD-5-11086-0P	79R3162
RD-5-11088-0P	79R3164
RD-5-11090-0P	79R3166
RD-5-11091-0P	79R3165
RD-5-11092-0P	79R3163
RD-5-11093-0P	79R3161
RD-5-11094-0P	79R3175
RD-5-11095-0P	79R3173
RD-5-11096-0P	79R3171
RD-5-11097-0P	79R3176
RD-5-11098-0P	79R3174
RD-5-11099-0P	79R3172
RD-5-11101-0P	79R0160
RD-5-11102-0P	79R3178
RD-5-11103-0P	79R3179
RD-5-11104-0P	79R3120
RD-5-11105-0P	79R3125
RD-5-11106-0P	79R3127
RD-5-11110-0P	79R3143
RD-5-11113-0P	79R1255
RD-5-11114-0P	79R1800
RD-5-11115-0P	79R0190
RD-5-11116-0P	79R0195
RD-5-11117-0P	79R1730
RD-5-11118-0P	79R4040
RD-5-11119-0P	79R4050
RD-5-11120-0P	79R1810
RD-5-11121-0P	79R1815
RD-5-11122-0P	79R1820
RD-5-11123-0P	79R4007
RD-5-11124-0P	79R4004
RD-5-11125-0P	79R2925

RED DOT FACTORY NUMBER	AFTERMARKET NUMBER
RD-5-11135-0P	79R1660
RD-5-11137-0P	79R3137
RD-5-11138-0P	79R4008
RD-5-11139-0P	79R4020
RD-5-11140-0P	79R4030
RD-5-11143-0P	79R0105
RD-5-11146-0P	79R0109
RD-5-11148-0P	79R4006
RD-5-11151-0P	75R8920
RD-5-11152-0P	75R8921
RD-5-11153-0P	79R0180
RD-5-11154-0P	79R0170
RD-5-11159-0P	75R84332
RD-5-11160-0P	75R84462
RD-5-11161-0P	75R84114
RD-5-11169-0P	71R7077
RD-5-11184-0P	74R3357
RD-5-11185-0P	74R3137
RD-5-11186-0P	74R3377
RD-5-11188-0P	74R3328
RD-5-11189-0P	74R3323
RD-5-11190-0P	74R3317
RD-5-11192-0P	74R2608
RD-5-11193-0P	74R2668
RD-5-11194-0P	74R3148
RD-5-11195-0P	74R3309
RD-5-11196-0P	74R3331
RD-5-11209-1P	72R9904
RD-5-11210-0P	72R9912
RD-5-11217-0P	75R7312
RD-5-11218-0P	75R7322
RD-5-11219-0P	75R7332
RD-5-11220-0P	75R84592
RD-5-11223-0M	75R5556
RD-5-11224-0P	78R5239
RD-5-11224-1P	78R5239M
RD-5-11225-0P	79R1560
RD-5-11226-0P	79R1546
RD-5-11227-0P	79R1536
RD-5-11228-0P	79R1538
RD-5-11229-0P	79R1541
RD-5-11230-0P	79R1531
RD-5-11231-0P	79R1532
RD-5-11232-0P	79R1565
RD-5-11234-0P	75R81104
RD-5-11235-0P	75R81114
RD-5-11236-0P	75R81134
RD-5-11237-0P	75R81152
RD-5-11238-0P	75R81162
RD-5-11239-0P	75R81172
RD-5-11240-0P	75R81184
RD-5-11241-0P	75R81192

CROSS
REFERENCE

RED DOT PART NUMBER CROSS REFERENCE

CROSS
REFERENCE

RED DOT FACTORY NUMBER	AFTERMARKET NUMBER
RD-5-11242-0P	75R81202
RD-5-11243-0P	75R81212
RD-5-11244-0P	75R81232
RD-5-11244-1P	75R81232Q
RD-5-11245-0P	75R81252
RD-5-11247-0P	75R81262
RD-5-11248-0P	75R81274
RD-5-11249-2P	75R81282A
RD-5-11250-1P	75R81292Q
RD-5-11250-2P	75R81292A
RD-5-11251-0P	75R81302
RD-5-11251-1P	75R81302Q
RD-5-11254-0P	75R81352
RD-5-11254-0P	75R81352Q
RD-5-11256-0P	75R81362
RD-5-11256-1P	75R81362Q
RD-5-11257-0P	75R81372
RD-5-11257-1P	75R81372Q
RD-5-11258-0P	75R81382
RD-5-11259-0P	75R81392
RD-5-11260-0P	75R81402
RD-5-11310-0P	75R81412
RD-5-11313-0P	75R81452
RD-5-11315-0P	75R81462
RD-5-11316-1P	75R81472Q
RD-5-11316-1P	75R8472Q
RD-5-11318-1P	75R8802Q
RD-5-11319-0P	72R6533
RD-5-11322-0P	75R81482
RD-5-11324-0P	75R81492
RD-5-11325-0M	75R5555
RD-5-11326-0P	75R81502
RD-5-11327-0P	79R4710
RD-5-11328-0P	75R81512
RD-5-11330-0P	75R81532
RD-5-11331-0P	75R81552
RD-5-11334-0P	75R81562
RD-5-11336-0P	75R81572
RD-5-11340-0P	75R81612
RD-5-11343-0P	75R81652
RD-5-11343-1P	75R81652Q
RD-5-11345-0P	75R81672
RD-5-11346-0P	75R81682
RD-5-11347-0P	75R81692
RD-5-11350-0P	75R81732
RD-5-11356-0P	75R81762
RD-5-11365-0P	79R3576
RD-5-11372-0P	79R8916
RD-5-11373-1P	75R8462Q
RD-5-11373-1P	75R85642Q
RD-5-11374-0P	75R4802
RD-5-11380-0P	71R6453

RED DOT FACTORY NUMBER	AFTERMARKET NUMBER
RD-5-11381-0P	71R6571
RD-5-11387-1P	70R82511
RD-5-11461-0M	70R8836
RD-5-11462-0M	70R8838
RD-5-11463-0M	70R8831
RD-5-11464-0M	70R8832
RD-5-11466-0P	73R3002
RD-5-11488-0P	73R3052
RD-5-11489-0P	73R3062
RD-5-11520-1P	75R86212Q
RD-5-11521-1P	75R86202Q
RD-5-11522-0P	74R3129
RD-5-11523-1P	75R86222Q
RD-5-11525-0P	79R1153
RD-5-11526-0P	73R3082
RD-5-11527-0M	70R5031
RD-5-11528-0M	70R5032
RD-5-11529-0M	70R5033
RD-5-11530-0M	70R5034
RD-5-11531-0P	74R1427
RD-5-11532-0P	74R1407
RD-5-11533-0P	74R3107
RD-5-11534-0P	74R3077
RD-5-11535-0P	74R3324
RD-5-11536-1P	70R85206
RD-5-11537-1P	70R85201
RD-5-11538-1P	70R85202
RD-5-11539-1P	70R85212
RD-5-11540-1P	70R85222
RD-5-11541-1P	70R85301
RD-5-11542-1P	70R85311
RD-5-11543-1P	70R85326
RD-5-11544-1P	70R85321
RD-5-11545-1P	70R85336
RD-5-11546-0P	74R5095
RD-5-11556-0P	75R9622
RD-5-11559-3P	70R9903
RD-5-11560-0P	72R3149
RD-5-11561-0P	79R1914
RD-5-11562-0P	79R1911
RD-5-11563-0P	79R1912
RD-5-11568-0P	79R4597
RD-5-11573-1P	70R8221
RD-5-11578-0P	79R3590
RD-5-11579-0P	73R3072
RD-5-11580-0P	79R0120
RD-5-11601-0P	70R2002S
RD-5-11829-0P	75R9838
RD-5-11829-1P	75R75218
RD-5-11830-0P	75R9832
RD-5-11830-1P	75R75212
RD-5-11831-0P	75R9858

RED DOT FACTORY NUMBER	AFTERMARKET NUMBER
RD-5-11831-1P	75R75228
RD-5-11832-0P	75R9852
RD-5-11832-1P	75R75222
RD-5-11833-0P	75R9678
RD-5-11833-1P	75R75208
RD-5-11834-0P	75R9672
RD-5-11834-1P	75R75202
RD-5-11836-0P	78R5430
RD-5-11838-1P	70R8288
RD-5-11839-1P	70R8281
RD-5-11840-1P	70R8282
RD-5-11841-1P	78R5237M
RD-5-11843-0P	73R3092
RD-5-11862-0P	71R3577
RD-5-11864-1P	78R1027
RD-5-11866-2P	75R86144Q
RD-5-11921-0P	71R8479
RD-5-11966-0P	79R3532
RD-5-11973-0P	75R75182
RD-5-11974-0P	75R75192
RD-5-11978-1P	75R75201
RD-5-12026-0P	70R2038S
RD-5-12028-0P	70R2096S
RD-5-12029-0P	70R2098S
RD-5-12030-0P	70R2091S
RD-5-12031-0P	70R2092S
RD-5-12032-0P	70R2406S
RD-5-12033-0P	70R2408S
RD-5-12035-0P	70R2402S
RD-5-12037-0P	70R2111S
RD-5-12051-0P	77R1305
RD-5-12106-0P	78R9466SP
RD-5-12106-600P	78R9456
RD-5-12108-0P	78R9468SP
RD-5-12108-600P	78R9468
RD-5-12110-0P	78R9461SP
RD-5-12110-600P	78R9461
RD-5-12112-0P	78R9462SP
RD-5-12112-600P	78R9462
RD-5-12150-0P	71R4501
RD-5-12151-0P	71R9999
RD-5-12151-2P	71R4511
RD-5-12179-0P	75R84684
RD-5-12240-0P	70R9406S
RD-5-12246-0P	70R9498S
RD-5-12286-0P	70R4502S
RD-5-12289-0P	70R4541S
RD-5-12290-0P	70R4316S
RD-5-12291-0P	70R4311S
RD-5-12292-0P	70R4312S
RD-5-12293-0P	70R4310S
RD-5-12294-0P	70R42396S

RED DOT FACTORY NUMBER	AFTERMARKET NUMBER
RD-5-12295-0P	70R42390S
RD-5-12298-0P	70R2006S
RD-5-12302-0P	70R6446S
RD-5-12303-0P	70R7006S
RD-5-12304-0P	70R6001S
RD-5-12305-0P	70R6096S
RD-5-12306-0P	70R6098S
RD-5-12307-0P	70R6091S
RD-5-12308-0P	70R4005S
RD-5-12309-0P	70R4798S
RD-5-12310-0P	70R9312S
RD-5-12311-0P	70R9392S
RD-5-12312-0P	70R9902S
RD-5-12313-0P	70R9706S
RD-5-12314-0P	70R9708S
RD-5-12315-0P	70R9796S
RD-5-12318-0P	79R3597
RD-5-12321-0P	79R3591
RD-5-12330-0P	75R81622
RD-5-12330-1P	75R81622Q
RD-5-12332-0P	75R81632 (SD)
RD-5-12332-0P	75R81632
RD-5-12332-1P	75R81632Q
RD-5-12334-0P	75R81662
RD-5-12334-1P	75R81662Q
RD-5-12334-2P	75R81662A
RD-5-12354-0P	78R5242
RD-5-12462-0P	74R2716
RD-5-12485-1P	70R8226
RD-5-12488-0P	77R6957
RD-5-12520-0P	71R8453
RD-5-12521-0P	71R8455
RD-5-12522-0P	71R8457
RD-5-12523-0P	75R8772
RD-5-12525-0P	75R8704Q
RD-5-12528-0P	75R8682Q
RD-5-12529-0P	75R8672Q
RD-5-12530-1P	75R86142Q
RD-5-12535-0P	75R81642Q
RD-5-12550-0P	75R89492
RD-5-12551-0P	73R3102
RD-5-12564-0P	75R8822Q
RD-5-12568-0P	75R8772Q
RD-5-12569-0P	75R81184Q
RD-5-12623-0P	74R5097
RD-5-12630-0P	75R8814Q
RD-5-12674-0P	79R8945
RD-5-12675-0M	70R5035
RD-5-12676-0P	79R8950
RD-5-12742-0P	73R5662
RD-5-12742-24P	73R5664
RD-5-12757-1P	74R3456

RED DOT PART NUMBER CROSS REFERENCE

RED DOT FACTORY NUMBER	AFTERMARKET NUMBER
RD-5-12839-1P	70R85312
RD-5-12840-0P	71R7076
RD-5-12899-0P	75R85102Q
RD-5-12900-0P	75R85132Q
RD-5-12901-0P	75R85112Q
RD-5-12902-0P	75R861522Q
RD-5-12903-0P	75R86324Q
RD-5-12904-0P	75R86322Q
RD-5-12905-0P	75R8674Q
RD-5-12906-0P	75R8782Q
RD-5-12907-0P	75R8784Q
RD-5-12936-0P	78R5435
RD-5-12975-0P	78R5008
RD-5-13041-0P	75R86232Q
RD-5-13042-0P	75R8562Q
RRD-5-13060-0P	75R8572Q
RD-5-13062-0P	75R82312
RD-5-13062-1P	75R82312Q
RD-5-13063-1P	75R8714Q
RD-5-13067-0P	73R3122
RD-5-13068-0P	73R3132
RD-5-13069-0P	73R3142
RD-5-13071-0P	75R84672
RD-5-13072-0P	75R84694
RD-5-13153-0P	75R86332Q
RD-5-13183-0P	71R6263
RD-5-13184-0P	71R6264
RD-5-13207-0P	75R89502
RD-5-13209-0P	75R89522
RD-5-13209-1P	75R89522Q
RD-5-13210-0P	75R89532
RD-5-13211-0P	75R89542
RD-5-13212-1P	75R89552Q
RD-5-13213-0P	75R89562
RD-5-13213-1P	75R89562Q
RD-5-13214-0P	75R89572
RD-5-13214-1P	75R89572Q
RD-5-13215-1P	75R89582Q
RD-5-13216-1P	74R4215
RD-5-13221-0P	79R4587
RD-5-13225-0P	79R5035
RD-5-13226-0P	75R89602
RD-5-13226-1P	75R89602Q
RD-5-13227-0P	71R6145
RD-5-13228-0P	79R3129
RD-5-13230-0P	73R7135
RD-5-13233-0P	71R7073
RD-5-13234-0P	71R6155
RD-5-13235-0P	75R84302Q
RD-5-13235-2P	75R84302A
RD-5-13239-0P	71R1467
RD-5-13242-0M	70R8840

RED DOT FACTORY NUMBER	AFTERMARKET NUMBER
RD-5-13248-0P	75R9612
RD-5-13248-0P	75R9612Q
RD-5-13248-1P	75R9612Q
RD-5-13250-1P	74R3332
RD-5-13259-1P	73R8624
RD-5-13299-0P	71R1462
RD-5-13533-0P	73R8081
RD-5-13540-0P	71R3579
RD-5-13543-0P	79R8926
RD-5-13604-0P	71R3584
RD-5-13605-0P	71R3572
RD-5-13655-0P	75R8812Q
RD-5-13784-0P	75R4812
RD-5-13785-0P	78R5410
RD-5-14045-0P	74R5405
RD-5-14046-0P	75R5652
RD-5-14046-0P	73R5652
RD-5-14050-0P	75R7362
RD-5-14066-0P	75R9004
RD-5-14067-0P	75R9014
RD-5-14067-1P	75R9014D
RD-5-14068-0P	75R9024
RD-5-14068-0P	75R9027
RD-5-14068-1P	75R9024D
RD-5-14069-0P	75R9034
RD-5-14070-0P	75R9044
RD-5-14073-0P	73R0572
RD-5-14076-0M	75R5530
RD-5-14077-0M	75R5535
RD-5-14079-0P	75R9052
RD-5-14079-1P	75R9052D
RD-5-14080-0P	75R9062
RD-5-14080-1P	75R9062D
RD-5-14081-0P	77R9030
RD-5-14083-0P	74R5076
RD-5-14084-0P	71R8461
RD-5-14086-0P	71R8460
RD-5-14087-0P	73R0992
RD-5-14088-0P	73R2162
RD-5-14093-0P	75R89612
RD-5-14094-0P	74R0455
RD-5-14095-0P	74R3325
RD-5-14191-0P	73R5512
RD-5-14193-0P	73R0582
RD-5-14601-0P	71R1475
RD-5-14603-0P	71R6235
RD-5-14604-0P	71R6260
RD-5-14605-0P	71R6265
RD-5-14607-0P	71R3580
RD-5-14608-0P	71R3581
RD-5-14609-0P	71R3582
RD-5-14610-0P	71R3585

RED DOT FACTORY NUMBER	AFTERMARKET NUMBER
RD-5-14612-0P	73R3112
RD-5-14613-0P	73R7215
RD-5-14618-0P	71R8465
RD-5-14619-0P	71R8467
RD-5-14620-0P	76R3475
RD-5-14621-0P	76R3495
RD-5-14622-0P	76R6020
RD-5-14624-0P	76R7712
RD-5-14635-0P	78R5305M
RD-5-14635-1P	78R5305M
RD-5-14636-0P	71R6582
RD-5-14637-0P	71R6584
RD-5-14638-0P	74R2006
RD-5-14639-0P	74R2016
RD-5-14640-0P	74R2026
RD-5-14641-0P	75R7342
RD-5-14642-0P	75R7352
RD-5-14643-0P	75R89624Q
RD-5-14643-0P	75R89624Q
RD-5-14644-0P	75R9072
RD-5-14644-1P	75R9072D
RD-5-14645-0P	75R9082
RD-5-14645-1P	75R9082D
RD-5-14646-0P	75R9092
RD-5-14646-1P	75R9092D
RD-5-14647-0P	74R0495
RD-5-14648-0P	74R4028
RD-5-14650-0P	74R5401
RD-5-14651-0P	71R1470
RD-5-14652-0P	75R89622
RD-5-14652-1P	75R89622Q
RD-5-14653-0P	75R89632
RD-5-14654-0P	75R89642
RD-5-14655-0P	75R89652
RD-5-14656-0P	75R89662
RD-5-14658-0P	75R89672
RD-5-14659-0P	75R89682
RD-5-14660-0P	75R89692
RD-5-14661-0P	75R89702
RD-5-14662-0P	75R89712
RD-5-14663-0P	75R89722
RD-5-14664-0P	75R89732
RD-5-14665-0P	75R89744
RD-5-14666-0P	75R89742
RD-5-14667-0P	75R89752Q
RD-5-14681-0P	73R8712
RD-5-14682-0P	73R8722
RD-5-14684-0P	73R5772
RD-5-14685-0P	74R0475
RD-5-14685-1P	74R0475
RD-5-14686-0P	74R0480
RD-5-14687-0P	74R0485

RED DOT FACTORY NUMBER	AFTERMARKET NUMBER
RD-5-14689-0P	75R89752
RD-5-14689-1P	75R89752Q
RD-5-14690-0P	75R89802Q
RD-5-14691-0P	75R89812Q
RD-5-14693-0P	78R5455
RD-5-14694-0P	78R5460
RD-5-14695-0P	78R5450
RD-5-14696-0P	75R89762
RD-5-14697-0P	70R5500
RD-5-14697-0P	70R5505
RD-5-14698-0P	70R5501
RD-5-14699-0P	70R5502
RD-5-15280-0P	70R5503
RD-5-15281-0P	70R5504
RD-5-15282-0P	78R5440
RD-5-15284-0P	70R5036
RD-5-15285-0P	78R5385
RD-5-15287-0P	74R5088
RD-5-15288-0M	75R5580
RD-5-15289-0M	75R5585
RD-5-15291-0P	71R8480
RD-5-15292-0P	71R8481
RD-5-15293-0P	71R6259
RD-5-15294-0P	71R6261
RD-5-15295-0P	71R8477
RD-5-15296-0P	71R8475
RD-5-15297-0P	71R8479
RD-5-15298-0P	73R7220
RD-5-15305-0P	71R6157
RD-5-15310-0P	75R89632Q
RD-5-15317-0P	71R6175
RD-5-15318-0P	71R6267
RD-5-15320-0P	75R89792
RD-5-15323-0P	74R4216
RD-5-15324-0P	74R4217
RD-5-15326-0P	75R89772
RD-5-15327-0P	78R5170
RD-5-15327-1P	78R5171
RD-5-15334-0P	78R5180
RD-5-15358-0P	70R5506
RD-5-15359-0P	75R89832
RD-5-15500-0P	71R1477
RD-5-15501-0P	71R6270
RD-5-15504-0P	71R6275
RD-5-15505-0P	71R3591
RD-5-15523-0P	75R89782Q
RD-5-15526-0P	75R9622
RD-5-15531-0P	75R89612Q
RD-5-15532-0P	75R89614Q
RD-5-15533-0P	75R89592Q
RD-5-15541-0P	71R8489
RD-5-15542-0P	71R3589

CROSS
REFERENCE

RED DOT PART NUMBER CROSS REFERENCE

CROSS
REFERENCE

RED DOT FACTORY NUMBER	AFTERMARKET NUMBER
RD-5-15543-0P	71R3593
RD-5-15544-0P	71R3595
RD-5-15545-0P	71R3587
RD-5-15546-0P	78R5155
RD-5-15547-0P	78R5160
RD-5-15570-0P	78R5165
RD-5-15571-0P	79R4685
RD-5-15572-1P	75R89852Q
RD-5-15574-0P	73R3162
RD-5-15586-1P	70R8566
RD-5-15587-1P	70R8568
RD-5-15588-1P	70R8561
RD-5-15589-1P	70R8562
RD-5-15688-0P	71R6266
RD-5-15689-1P	74R4218
RD-5-15697-0P	74R5090
RD-5-15698-0P	74R4208
RD-5-15703-0P	74R4219
RD-5-15710-0P	74R0500
RD-5-15711-0P	71R6280
RD-5-15711-1P	71R6280
RD-5-15719-0P	75R89304
RD-5-15720-0P	75R89834Q
RD-5-15721-1P	75R89840Q
RD-5-15723-0P	71R9300
RD-5-15724-0P	75R9915
RD-5-15725-0P	75R9880
RD-5-15726-0P	75R9885
RD-5-15727-0P	75R9930
RD-5-15728-0P	75R9925
RD-5-16200-0P	74R5100
RD-5-16201-0P	74R5101
RD-5-16202-0P	74R5102
RD-5-16203-0P	74R5103
RD-5-16204-0P	74R4220
RD-5-16205-0P	75R9892
RD-5-16206-0P	71R8483
RD-5-16210-0P	75R89842
RD-5-16211-0P	71R1472
RD-5-16212-0P	78R5425
RD-5-16214-0P	71R8485
RD-5-16215-0P	75R90001
RD-5-16216-0P	75R90002
RD-5-16217-0P	75R89862
RD-5-16218-0P	71R6262
RD-5-16266-2P	75R89872A
RD-5-3550-120P	78R0070
RD-5-3593-0P	74R1756
RD-5-3593-1P	74R1706
RD-5-3596-0P	72R3050
RD-5-3597-0P	72R2250
RD-5-3599-0P	71R0250

RED DOT FACTORY NUMBER	AFTERMARKET NUMBER
RD-5-3646-0P	71R1150
RD-5-3647-0P	71R1450
RD-5-3653-0P	72R9040
RD-5-3657-0P	78R0050
RD-5-3686-0P	70R7550
RD-5-3686-1P	70R7750
RD-5-3690-1-24P	73R0534
RD-5-3690-1P	73R0532
RD-5-3693-0P	75R5608
RD-5-3698-0M	75R5520
RD-5-3701-0P	72R2500
RD-5-3702-0P	72R2600
RD-5-3709-0P	72R2100
RD-5-3716-0P	70R1496
RD-5-3718-0P	70R1491
RD-5-3720-0P	70R1308
RD-5-3721-0P	70R1301
RD-5-3722-0P	70R1406
RD-5-3723-0P	70R1408
RD-5-3724-0P	70R1401
RD-5-3728-0M	70R5056
RD-5-3729-0M	70R5058
RD-5-3730-0M	70R5051
RD-5-3746-1P	70R7500
RD-5-3748-0P	71R0010
RD-5-3751-24P	73R0454
RD-5-3757-12P	73R4202
RD-5-3757-24P	73R4204
RD-5-3758-0P	72R2550
RD-5-3779-0P	71R1165
RD-5-3780-0P	73R4102
RD-5-3789-8P	78R1605
RD-5-3789-9P	78R1805
RD-5-3791-0P	70R5701
RD-5-3800-1P	73R6251
RD-5-3824-1P	71R8100
RD-5-3827-0P	72R0200
RD-5-3827-1P	72R0210
RD-5-3827-2P	72R0220
RD-5-3827-4P	72R0240
RD-5-3827-6P	72R0260
RD-5-3843-1P	74R2566
RD-5-3846-0P	72R3200
RD-5-3861-0P	70R5200
RD-5-3876-1P	70R7200
RD-5-3905-0P	78R5000
RD-5-3923-0P	71R0050
RD-5-3927-108P	78R0400
RD-5-3930-108P	78R0300
RD-5-3933-1P	73R7101
RD-5-3988-0P	71R0350
RD-5-4021-0M	78R9600

RED DOT FACTORY NUMBER	AFTERMARKET NUMBER
RD-5-4035-10M	70R5550
RD-5-4035-16M	70R5600
RD-5-4035-52P	70R5650
RD-5-4058-360P	79R4400
RD-5-4187-0P	78R0100
RD-5-4216-0P	71R1900
RD-5-4233-24P	73R4504
RD-5-4283-0P	71R0040
RD-5-4287-0P	71R1654
RD-5-4288-0P	78R5003
RD-5-4289-0P	78R5007
RD-5-4296-0P	73R9202
RD-5-4296-1P	73R9204
RD-5-4302-0M	71R4030
RD-5-4400-0P	70R5770
RD-5-4408-0P	71R1702
RD-5-4417-0P	71R1704
RD-5-4450-0P	71R4035
RD-5-4451-0P	72R2200
RD-5-4452-0P	72R2150
RD-5-4471-0P	70R7250
RD-5-4475-0P	72R0050
RD-5-4476-12M	70R5565
RD-5-4497-0P	70R8420
RD-5-4527-0P	70R2201
RD-5-4528-0P	70R2206
RD-5-4531-24P	71R3200
RD-5-4550-0P	73R0102
RD-5-4550-24P	73R0104
RD-5-4575-0P	73R9052
RD-5-4575-24P	73R9054
RD-5-4583-0P	71R7550
RD-5-4585-0P	71R7500
RD-5-4620-0P	71R7600
RD-5-4625-0P	71R7650
RD-5-4632-0P	74R1956
RD-5-4632-1P	74R1906
RD-5-4640-0P	71R7050
RD-5-4646-0P	71R7000
RD-5-4659-0P	72R9010
RD-5-4665-0M	70R5706
RD-5-4666-0M	70R5708
RD-5-4680-0-BLKP	78R0040
RD-5-4680-0-WHTP	78R0030
RD-5-4694-1P	71R0450
RD-5-4709-0P	70R8500
RD-5-4721-0P	72R0610
RD-5-4727-0P	74R2586
RD-5-4727-1P	74R2596
RD-5-4740-0P	72R0100
RD-5-4747-0P	72R0500
RD-5-4756-0P	72R9030

RED DOT FACTORY NUMBER	AFTERMARKET NUMBER
RD-5-4762-96P	79R0138
RD-5-4813-0P	70R3590
RD-5-4827-24P	73R0404
RD-5-4827-2P	73R0414
RD-5-4833-0P	71R6030
RD-5-4903-0P	70R3500
RD-5-4904-0P	70R3550
RD-5-4905-0P	70R5000
RD-5-4908-0P	71R1200
RD-5-4909-0P	71R2100
RD-5-4911-0P	71R2600
RD-5-4912-0P	71R6100
RD-5-4917-0P	71R2800
RD-5-4919-0P	71R8500
RD-5-4919-1P	71R8500
RD-5-4923-0P	72R5040
RD-5-4927-0P	73R0702
RD-5-4932-0P	73R1052
RD-5-4937-0P	73R2102
RD-5-4947-0P	74R0450
RD-5-4950-0P	74R0906
RD-5-4955-0P	74R2706
RD-5-4959-0P	74R3450
RD-5-4961-0P	74R5050
RD-5-4962-0P	74R5600
RD-5-4966-0P	75R0302
RD-5-4967-0P	75R0452
RD-5-4972-1P	75R1202
RD-5-4975-0P	75R1652
RD-5-4994-0P	75R4502
RD-5-4997-0M	75R5700
RD-5-5000-0P	75R8102
RD-5-5006-0P	78R0456SP
RD-5-5006-600P	78R0456
RD-5-5008-0P	78R0458SP
RD-5-5008-600P	78R0458
RD-5-5010-0P	78R0451SP
RD-5-5010-600P	78R0451
RD-5-5012-0P	78R0452SP
RD-5-5012-600P	78R0452
RD-5-5014-1P	78R1505
RD-5-5015-4P	78R1025
RD-5-5027-1P	71R1802
RD-5-5031-0P	75R6000
RD-5-5032-0P	75R6010
RD-5-5049-1P	73R4422
RD-5-5049-2P	73R4424
RD-5-5119-0P	72R5060
RD-5-5120-0P	73R0512
RD-5-5120-24P	73R0514
RD-5-5121-0P	73R4252
RD-5-5121-1P	73R4262

RED DOT PART NUMBER CROSS REFERENCE

RED DOT FACTORY NUMBER	AFTERMARKET NUMBER
RD-5-5121-24P	73R4254
RD-5-5121-2P	73R4264
RD-5-5122-108P	78R0200
RD-5-5123-108P	78R0250
RD-5-5126-0P	75R9500
RD-5-5147-0P	78R5100
RD-5-5147-1P	78R5110
RD-5-5150-0P	78R5006
RD-5-5151-0P	78R5005
RD-5-5152-0P	78R5004
RD-5-5165-0P	75R9060
RD-5-5183-0P	75R9530
RD-5-5190-0P	73R4162
RD-5-5191-0P	72R5070
RD-5-5192-0P	72R5500
RD-5-5193-0P	72R5600
RD-5-5194-0P	71R1210
RD-5-5197-0P	75R5658
RD-5-5215-0P	72R5080
RD-5-5222-0P	72R3111
RD-5-5223-0P	72R3110
RD-5-5223-1P	72R3100
RD-5-5230-0P	73R0522
RD-5-5256-0M	70R5718
RD-5-5263-0P	73R6230
RD-5-5269-2P	73R0622
RD-5-5300-0P	72R5200
RD-5-5300-1P	72R5210
RD-5-5302-1P	71R0470
RD-5-5305-0P	70R7115
RD-5-5396-0P	75R5718
RD-5-5397-0P	75R5711
RD-5-5400-0P	71R0260
RD-5-5401-0M	75R5540
RD-5-5403-0P	77R9000
RD-5-5403-1P	77R9010
RD-5-5403-2P	77R9005
RD-5-5403-3P	77R9015
RD-5-5406-2P	78R1070
RD-5-5414-4P	72R1200
RD-5-5424-1P	72R1300
RD-5-5428-1P	78R5400M
RD-5-5431-0P	78R5200
RD-5-5432-0P	78R5210
RD-5-5476-0P	72R2000
RD-5-5486-0P	75R0202
RD-5-5487-0P	75R0204
RD-5-5495-1P	72R5260
RD-5-5495-2P	72R5270
RD-5-5512-0P	73R0912
RD-5-5520-0P	72R2130
RD-5-5525-0P	70R7110

RED DOT FACTORY NUMBER	AFTERMARKET NUMBER
RD-5-5538-0P	72R0070
RD-5-5552-0P	72R2140
RD-5-5566-0P	75R9670
RD-5-5571-0P	74R1806
RD-5-5572-0P	74R1856
RD-5-5574-0P	75R0042
RD-5-5589-0P	74R3066
RD-5-5601-0P	73R6370
RD-5-5614-0P	73R4062
RD-5-5634-1P	73R0922
RD-5-5656-0P	73R7000
RD-5-5662-96P	79R0241
RD-5-5688-0P	78R2090
RD-5-5721-0P	72R0600
RD-5-5721-1P	72R0190
RD-5-5751-0P	75R5005
RD-5-5752-0P	75R5102
RD-5-5754-0P	75R5104
RD-5-5784-5P	72R1210
RD-5-5791-600-GRNP	78R0063
RD-5-5791-600-REDP	78R0065
RD-5-5791-600-WHTP	78R0060
RD-5-5796-0P	73R9062
RD-5-5796-24P	73R9064
RD-5-5837-0P	73R4602
RD-5-5862-0P	71R8080
RD-5-5873-0P	71R6070
RD-5-5874-0P	71R1300
RD-5-5875-1P	75R8502Q
RD-5-5876-1P	75R8512Q
RD-5-5877-0P	71R6060
RD-5-5887-0P	73R9072
RD-5-5901-0P	72R9020
RD-5-5905-96P	79R0150
RD-5-5908-96P	79R0258
RD-5-5916-0P	79R4550
RD-5-5928-0P	71R4040
RD-5-5937-0P	78R5300
RD-5-5937-1P	78R5300M
RD-5-5938-0M	78R0090
RD-5-5955-1P	74R3517
RD-5-6017-0P	72R3000
RD-5-6028-1P	72R1310
RD-5-6071-0P	73R0364
RD-5-6075-1P	74R4007
RD-5-6076-0P	74R4116
RD-5-6077-1P	74R4017
RD-5-6098-0M	70R5100
RD-5-6099-0P	71R8210
RD-5-6124-0P	78R5320
RD-5-6220-0P	72R2105
RD-5-6232-0P	75R9890

RED DOT FACTORY NUMBER	AFTERMARKET NUMBER
RD-5-6240-0P	78R5340
RD-5-6304-600P	78R0101
RD-5-6320-0P	71R3575
RD-5-6394-0P	71R6080
RD-5-6395-0P	71R6040
RD-5-6395-1P	71R6045
RD-5-6396-0P	71R6090
RD-5-6397-0P	71R6020
RD-5-6415-0P	75R6041
RD-5-6427-1P	78R5500
RD-5-6429-0P	71R3150
RD-5-6430-0P	71R6110
RD-5-6440-0P	73R0062
RD-5-6450-0P	71R1455
RD-5-6478-0P	70R4308
RD-5-6484-0P	70R4391
RD-5-6487-0P	70R4591
RD-5-6488-0P	70R4598
RD-5-6492-0P	70R4642
RD-5-6493-0P	70R4641
RD-5-6504-1P	74R2306
RD-5-6520-0P	70R4696
RD-5-6524-0P	70R4991
RD-5-6526-0P	73R0422
RD-5-6526-1P	73R0402
RD-5-6526-2P	73R0352
RD-5-6531-0P	73R0322
RD-5-6532-120P	78R0075
RD-5-6547-0P	75R6040
RD-5-6555-0P	72R2110
RD-5-6567-2P	74R3466
RD-5-6575-0P	74R1846
RD-5-6600-0P	70R5210
RD-5-6602-0P	71R1310
RD-5-6639-0P	71R6115
RD-5-6646-0P	75R0182
RD-5-6651-1P	73R6381
RD-5-6667-46P	72R8315
RD-5-6678-0P	78R2080
RD-5-6683-0P	78R2100
RD-5-6690-0P	71R1902
RD-5-6691-0M	70R5110
RD-5-6693-0P	71R1904
RD-5-6714-0P	71R1315
RD-5-6719-0P	70R4448
RD-5-6768-2P	74R3322
RD-5-6768-2P	74R2797
RD-5-6785-24P	73R0984
RD-5-6801-0P	73R4182
RD-5-6802-0P	72R8270
RD-5-6803-0P	72R8280
RD-5-6804-0P	71R0460

RED DOT FACTORY NUMBER	AFTERMARKET NUMBER
RD-5-6833-0P	71R6120
RD-5-6834-0P	71R6130
RD-5-6835-0P	71R6140
RD-5-6838-0P	70R4406S
RD-5-6840-0P	70R4498S
RD-5-6841-0P	70R4401S
RD-5-6865-0M	70R5702
RD-5-6867-0P	78R5350
RD-5-6868-1M	71R8301M
RD-5-6868-1P	71R8301
RD-5-6917-2P	72R9005
RD-5-6919-0P	75R84522
RD-5-6942-0P	70R4346S
RD-5-6943-0P	70R4446S
RD-5-6944-0P	70R4396S
RD-5-6945-0P	70R4496S
RD-5-6946-0P	70R4308S
RD-5-6947-0P	70R4408S
RD-5-6948-0P	70R4448S
RD-5-6949-0P	70R4398S
RD-5-6951-0P	70R4301S
RD-5-6953-0P	70R4341S
RD-5-6954-0P	70R4441S
RD-5-6955-0P	70R4391S
RD-5-6956-0P	70R4491S
RD-5-6969-0P	73R4064
RD-5-6970-0P	73R7110
RD-5-6970-1P	73R7120
RD-5-6978-0P	70R4691S
RD-5-6979-0P	70R4701S
RD-5-6987-0P	72R2351
RD-5-7015-0P	71R8321
RD-5-7015-1M	71R8321M
RD-5-7015-1P	71R8321
RD-5-7023-1P	75R8522Q
RD-5-7038-0P	71R6135
RD-5-7057-0P	70R2078S
RD-5-7058-0P	70R2071S
RD-5-7061-6P	74R2577
RD-5-7061-7P	74R2537
RD-5-7061-8P	74R2527
RD-5-7062-1P	74R1826
RD-5-7063-0P	74R1866
RD-5-7064-0P	74R0460
RD-5-7064-1P	74R0462
RD-5-7069-0P	70R2071
RD-5-7071-0P	70R3530
RD-5-7072-0P	70R2076
RD-5-7074-0P	70R2076S
RD-5-7075-0P	70R2072S
RD-5-7088-0P	75R8382
RD-5-7088-1P	75R8382Q

CROSS
REFERENCE

RED DOT PART NUMBER CROSS REFERENCE

CROSS
REFERENCE

RED DOT FACTORY NUMBER	AFTERMARKET NUMBER
RD-5-7088-1P	75R8382
RD-5-7089-0P	75R8384
RD-5-7090-0P	75R8372
RD-5-7091-0P	75R8374
RD-5-7091-1P	75R8374Q
RD-5-7102-0P	79R4580
RD-5-7103-0P	79R4580
RD-5-7106-0M	79R0020
RD-5-7119-0P	70R6498S
RD-5-7120-0P	75R8422
RD-5-7124-0P	75R8424
RD-5-7129-0P	73R0542
RD-5-7129-24P	73R0544
RD-5-7145-1P	75R8612Q
RD-5-7155-0P	71R8400
RD-5-7163-2P	75R8614Q
RD-5-7164-1P	75R8632Q
RD-5-7165-1P	75R8634Q
RD-5-7166-0P	79R4585
RD-5-7166-0P	75R4585
RD-5-7171-96P	79R0250
RD-5-7179-0P	71R8420
RD-5-7181-0P	71R0872
RD-5-7183-0P	71R0854
RD-5-7186-0P	71R8499
RD-5-7187-0P	71R8491
RD-5-7188-0-35M	71R8991
RD-5-7192-0P	71R1330
RD-5-7215-0P	71R0852
RD-5-7223-0P	70R6448
RD-5-7225-0P	70R6598S
RD-5-7231-0P	70R6491S
RD-5-7232-0P	71R1912
RD-5-7233-0P	71R1914
RD-5-7242-0P	79R6700
RD-5-7262-0P	78R5290
RD-5-7267-0P	71R8493
RD-5-7272-1P	74R2447
RD-5-7277-0M	75R5813
RD-5-7278-0M	75R5814
RD-5-7283-0P	70R6496
RD-5-7292-1P	74R3337
RD-5-7297-0P	73R8100
RD-5-7306-0P	75R5806
RD-5-7310-0P	75R5801
RD-5-7311-0P	73R6350
RD-5-7312-0P	73R6300
RD-5-7318-0P	75R5668
RD-5-7320-0P	75R5661
RD-5-7357-96P	79R0225
RD-5-7373-0P	75R8442
RD-5-7396-0P	70R6006

RED DOT FACTORY NUMBER	AFTERMARKET NUMBER
RD-5-7397-0P	70R6096
RD-5-7401-0P	70R4596
RD-5-7405-0P	70R4006S
RD-5-7406-0P	70R4096S
RD-5-7411-0P	70R2086
RD-5-7419-0P	70R4108
RD-5-7420-0P	70R4198
RD-5-7421-0P	70R4608
RD-5-7424-0P	70R4798
RD-5-7428-0P	70R4548
RD-5-7430-0P	75R5678
RD-5-7431-0P	70R4008S
RD-5-7438-0P	75R5858
RD-5-7445-0P	70R4698
RD-5-7450-0P	70R4191
RD-5-7451-0P	70R4341
RD-5-7456-0P	75R5671
RD-5-7457-0P	70R4001S
RD-5-7458-0P	70R4091S
RD-5-7462-0P	70R2081
RD-5-7470-0P	70R4192
RD-5-7471-0P	70R4402
RD-5-7473-0P	70R4442
RD-5-7476-0P	70R4342
RD-5-7477-0P	70R4392
RD-5-7480-0P	75R5672
RD-5-7481-0P	70R4002S
RD-5-7482-0P	70R4092S
RD-5-7487-0P	75R5842
RD-5-7488-0P	75R5852
RD-5-7489-0P	75R5832
RD-5-7495-0P	70R4601S
RD-5-7517-1P	74R3376
RD-5-7522-0P	75R8432
RD-5-7523-0M	75R5560
RD-5-7524-0M	75R5570
RD-5-7531-0P	70R2038
RD-5-7532-0P	70R2031
RD-5-7534-0P	70R4606
RD-5-7539-0P	75R5808
RD-5-7543-0P	70R4641S
RD-5-7543-0P	77R8440
RD-5-7546-0P	70R6496S
RD-5-7559-0P	74R1106
RD-5-7563-1P	74R3477
RD-5-7564-0P	74R3526
RD-5-7564-1P	74R3527
RD-5-7565-1P	74R3537
RD-5-7566-0P	75R8184
RD-5-7567-0P	71R8370
RD-5-7570-0M	74R8006
RD-5-7582-600P	78R0110

RED DOT FACTORY NUMBER	AFTERMARKET NUMBER
RD-5-7604-0P	70R2068
RD-5-7605-0P	70R2061
RD-5-7612-0P	70R4996
RD-5-7613-0P	75R5648
RD-5-7614-0P	75R5641
RD-5-7629-0P	70R4506S
RD-5-7632-0P	70R7008S
RD-5-7637-0P	70R6441
RD-5-7641-0P	70R5091S
RD-5-7661-0P	70R4501S
RD-5-7688-0P	75R5768
RD-5-7690-0P	75R5761
RD-5-7704-0P	75R6545
RD-5-7731-0P	79R1520
RD-5-7732-0P	79R1525
RD-5-7733-0P	70R4492S
RD-5-7740-0P	70R4402S
RD-5-7747-96P	79R0102
RD-5-7759-0M	70R5103
RD-5-7760-0P	72R5250
RD-5-7760-1P	72R5220
RD-5-7760-2P	72R5230
RD-5-7760-3P	72R5240
RD-5-7786-0P	79R1504
RD-5-7787-0P	79R1503
RD-5-7788-0P	79R1502
RD-5-7805-0P	70R4306S
RD-5-7807-0P	71R1320
RD-5-7809-0P	71R1325
RD-5-7830-0P	75R5124
RD-5-7831-0P	75R0192
RD-5-7832-0P	75R0194
RD-5-7847-0P	76R7505
RD-5-7847-0P	76R7525
RD-5-7964-0P	75R5815
RD-5-7966-0P	75R5688
RD-5-7967-0P	75R5681
RD-5-7982-0P	75R5007
RD-5-7999-0P	72R9000
RD-5-8009-0P	75R0612
RD-5-8010-0P	75R8505
RD-5-8012-0P	78R1470
RD-5-8017-0P	70R7001S
RD-5-8026-0P	71R6095
RD-5-8032-0P	73R4122
RD-5-8034-0P	72R5110
RD-5-8036-0P	70R22071
RD-5-8039-0M	79R5030
RD-5-8058-0P	70R4692S
RD-5-8060-1P	75R7285
RD-5-8060-1P	75R7295
RD-5-8061-1P	75R7295

RED DOT FACTORY NUMBER	AFTERMARKET NUMBER
RD-5-8062-0P	79R4595
RD-5-8075-0P	71R4060
RD-5-8076-1P	78R5360M
RD-5-8079-0P	78R5380
RD-5-8083-0P	72R5280
RD-5-8092-0P	73R7200
RD-5-8092-1P	73R7210
RD-5-8100-0P	71R8423
RD-5-8105-0P	78R5315
RD-5-8106-0P	78R5375
RD-5-8126-0P	73R4242
RD-5-8134-0P	71R4063
RD-5-8135-0P	72R7105
RD-5-8193-2P	72R5350
RD-5-8195-0P	70R4791S
RD-5-8203-0P	73R0962
RD-5-8204-0P	73R0432
RD-5-8210-0P	71R1910
RD-5-8218-0P	71R6160
RD-5-8219-0P	71R6170
RD-5-8220-0P	71R6180
RD-5-8234-0P	70R2406
RD-5-8237-0P	70R2402
RD-5-8240-1P	74R3347
RD-5-8255-0P	73R0982
RD-5-8256-0P	71R0480
RD-5-8257-0P	71R3300
RD-5-8261-0P	70R4302S
RD-5-8262-0P	70R4348S
RD-5-8263-0P	70R4392S
RD-5-8264-0P	70R4342S
RD-5-8265-0P	70R2011S
RD-5-8266-0P	70R2012S
RD-5-8267-0P	70R2016S
RD-5-8268-0P	70R2018S
RD-5-8269-0P	70R2061S
RD-5-8270-0P	70R2062S
RD-5-8271-0P	70R2066S
RD-5-8272-0P	70R2068S
RD-5-8273-0P	70R2031S
RD-5-8274-0P	70R2036S
RD-5-8275-0P	70R4706S
RD-5-8276-0P	70R4796S
RD-5-8277-0P	70R4508S
RD-5-8278-0P	70R4591S
RD-5-8279-0P	70R4596S
RD-5-8280-0P	70R4598S
RD-5-8282-0P	70R6492S
RD-5-8283-0P	70R4606S
RD-5-8284-0P	70R4608S
RD-5-8285-0P	70R4646S
RD-5-8286-0P	70R4696S

RED DOT PART NUMBER CROSS REFERENCE

RED DOT FACTORY NUMBER	AFTERMARKET NUMBER
RD-5-8287-0P	71R6210
RD-5-8288-0P	71R6220
RD-5-8289-0P	71R6230
RD-5-8291-0P	79R1710
RD-5-8292-0M	75R5575
RD-5-8293-0M	75R5565
RD-5-8315-0P	71R0862
RD-5-8334-0M	75R5200
RD-5-8336-0P	75R6550
RD-5-8338-0P	75R6510
RD-5-8339-0P	75R6500
RD-5-8340-0P	75R6530
RD-5-8377-0P	71R3125
RD-5-8382-0P	75R4534
RD-5-8390-0P	72R6525
RD-5-8393-0P	70R3510S
RD-5-8402-0P	75R5878S
RD-5-8405-0P	70R4006
RD-5-8433-0P	71R7075
RD-5-8436-0P	72R3120
RD-5-8459-0P	71R0030
RD-5-8462-0P	70R4442S
RD-5-8463-0P	70R4698S
RD-5-8481-0P	79R1505
RD-5-8487-1P	71R1530
RD-5-8490-0P	71R1610
RD-5-8509-0P	71R0892
RD-5-8526-1P	73R5514
RD-5-8535-0P	71R1262
RD-5-8535-24P	71R1264
RD-5-8537-0P	70R6006S
RD-5-8538-0P	70R6008S
RD-5-8539-0P	70R4416S
RD-5-8559-0P	73R8554
RD-5-8582-0P	78R5240
RD-5-8582-1P	78R5240M
RD-5-8583-0P	73R5552
RD-5-8583-1P	73R5554
RD-5-8605-1P	74R0470
RD-5-8618-0P	73R6051
RD-5-8627-5P	73R8612
RD-5-8627-6P	73R8614
RD-5-8631-2P	73R8582
RD-5-8631-3P	73R8584
RD-5-8637-0P	75R7280
RD-5-8638-0P	75R7290
RD-5-8654-0P	71R4020
RD-5-8654-1P	71R4010
RD-5-8654-2P	71R4011
RD-5-8665-0P	71R1485
RD-5-8668-0P	78R5318
RD-5-8673-0P	71R4105

RED DOT FACTORY NUMBER	AFTERMARKET NUMBER
RD-5-8680-0P	75R8354
RD-5-8680-1P	75R8354Q
RD-5-8703-2P	73R8562
RD-5-8703-3P	73R8564
RD-5-8747-4P	73R8652
RD-5-8747-5P	73R8654
RD-5-8759-1P	73R8702
RD-5-8771-0P	71R1175
RD-5-8772-0P	70R6506
RD-5-8773-0P	70R6508
RD-5-8774-0P	70R6501
RD-5-8785-2P	73R8592
RD-5-8785-5P	73R8594
RD-5-8791-0P	71R3573
RD-5-8804-0P	72R6400
RD-5-8804-1P	72R6401
RD-5-8812-0P	71R4015
RD-5-8830-0P	71R0522
RD-5-8831-0P	71R0532
RD-5-8835-0P	73R5522
RD-5-8836-0P	73R5524
RD-5-8837-0P	73R5532
RD-5-8837-1P	73R5642
RD-5-8838-0P	73R5534
RD-5-8850-0P	75R5819
RD-5-8851-0P	75R5820
RD-5-8857-0P	72R6420
RD-5-8857-1P	72R6421
RD-5-8857-2P	72R6423
RD-5-8857-3P	72R6425
RD-5-8859-0P	72R6410
RD-5-8862-1P	74R0401
RD-5-8884-1P	75R8644Q
RD-5-8884-1P	75R8664Q
RD-5-8894-0P	72R6535
RD-5-8895-0P	79R9516
RD-5-8896-0P	79R9518
RD-5-8897-0P	79R9521
RD-5-8899-0P	70R9408S
RD-5-8900-0P	70R9401S
RD-5-8901-0P	70R9906S
RD-5-8902-0P	70R9908S
RD-5-8903-0P	70R9901S
RD-5-8904-0P	70R9496S
RD-5-8906-0P	70R9491S
RD-5-8907-0P	70R9996S
RD-5-8908-0P	70R9998S
RD-5-8909-0P	70R9991S
RD-5-8910-0P	70R9306S
RD-5-8911-0P	70R9308S
RD-5-8912-0P	70R9301S
RD-5-8913-0P	70R9396S

RED DOT FACTORY NUMBER	AFTERMARKET NUMBER
RD-5-8914-0P	70R9398S
RD-5-8915-0P	70R9391S
RD-5-8916-0P	70R9016S
RD-5-8917-0P	70R9018S
RD-5-8918-0P	70R9011S
RD-5-8919-0P	70R9076S
RD-5-8920-0P	70R9078S
RD-5-8921-0P	70R9071S
RD-5-8922-0P	73R0612
RD-5-8923-0P	71R1465
RD-5-8926-0P	72R4532
RD-5-8928-0P	72R3157
RD-5-8936-0P	71R8430
RD-5-8938-0P	71R3160
RD-5-8939-0P	70R9402S
RD-5-8940-0P	70R9492S
RD-5-8941-0P	70R9012S
RD-5-8943-0P	72R6515
RD-5-8944-1P	75R8532Q
RD-5-8945-0P	75R8252
RD-5-8946-0P	71R6125
RD-5-8947-0P	73R6270
RD-5-8948-0P	73R5562
RD-5-8951-0P	70R9791S
RD-5-8952-0P	70R9072S
RD-5-8955-0P	70R9001S
RD-5-8956-0P	70R9091S
RD-5-8957-0P	70R9701S
RD-5-8958-0P	79R4600
RD-5-8960-0P	79R4605
RD-5-8967-0P	71R0840
RD-5-8982-0P	71R6055
RD-5-8984-0M	70R5105
RD-5-8988-0P	71R3571
RD-5-8993-0P	71R8945
RD-5-8994-0P	71R8497
RD-5-8995-0P	71R0884
RD-5-9021-0P	71R3578
RD-5-9024-0P	72R3130
RD-5-9028-1P	75R8542Q
RD-5-9037-0P	71R0512
RD-5-9053-0P	72R3140
RD-5-9055-1P	74R4207
RD-5-9059-1P	75R8544Q
RD-5-9061-0M	70R5052
RD-5-9062-0P	71R1480
RD-5-9063-0P	71R3576
RD-5-9076-2P	73R8642
RD-5-9076-3P	73R8644
RD-5-9077-1P	78R5410M
RD-5-9084-0M	70R5115
RD-5-9088-0P	75R8332

RED DOT FACTORY NUMBER	AFTERMARKET NUMBER
RD-5-9100-0P	73R0462
RD-5-9130-1P	78R5245M
RD-5-9133-0M	71R4065
RD-5-9152-0P	72R4010
RD-5-9154-0P	75R8510
RD-5-9155-0P	75R8515
RD-5-9156-0P	75R8520
RD-5-9157-0P	72R4400
RD-5-9158-0P	72R4500
RD-5-9159-0P	72R4510
RD-5-9194-0P	73R5572
RD-5-9194-1P	73R5584
RD-5-9194-24P	73R5574
RD-5-9204-0P	73R5622
RD-5-9204-1P	73R5624
RD-5-9218-0M	75R5833
RD-5-9219-0M	75R5834
RD-5-9224-0P	72R5360
RD-5-9224-1P	72R5285
RD-5-9225-36P	72R8255
RD-5-9233-1P	78R5363M
RD-5-9234-1P	78R5361M
RD-5-9245-24P	73R1064
RD-5-9249-0P	75R1412
RD-5-9250-0P	75R1414
RD-5-9251-0P	75R8462
RD-5-9302-0P	78R5211
RD-5-9303-0P	78R5212
RD-5-9308-0P	78R5501
RD-5-9313-0P	72R3600
RD-5-9319-0P	75R84654
RD-5-9327-0P	71R8459
RD-5-9389-0P	74R2800
RD-5-9415-0P	72R6540
RD-5-9419-1P	74R2590
RD-5-9425-0P	72R3150
RD-5-9426-0P	72R3155
RD-5-9437-0P	71R1402
RD-5-9440-0P	74R3070
RD-5-9443-2P	72R8260
RD-5-9443-3P	72R8265
RD-5-9443-4P	72R8275
RD-5-9445-0P	71R1401
RD-5-9447-0P	71R1403
RD-5-9448-0P	71R1404
RD-5-9449-0P	71R1405
RD-5-9455-0P	74R1836
RD-5-9456-0P	75R1302
RD-5-9458-0P	75R8464
RD-5-9513-0P	71R8380
RD-5-9515-1P	74R2677
RD-5-9556-1P	74R5060

CROSS
REFERENCE

RED DOT PART NUMBER CROSS REFERENCE

CROSS
REFERENCE

RED DOT FACTORY NUMBER	AFTERMARKET NUMBER
RD-5-9556-1P	74R5062
RD-5-9560-0P	77R1320
RD-5-9564-1P	71R8505
RD-5-9577-0P	71R6150
RD-5-9609-10P	75R8552Q
RD-5-9609-10P	75R85032Q
RD-5-9609-11P	75R8712Q
RD-5-9609-9P	75R85032Q
RD-5-9611-0P	75R8507
RD-5-9616-0P	77R1602
RD-5-9617-0P	77R1612
RD-5-9618-0P	77R1614
RD-5-9633-0P	79R4561
RD-5-9634-0P	79R4562
RD-5-9635-0P	79R4563
RD-5-9637-0P	72R2160
RD-5-9659-0P	75R4734
RD-5-9665-0P	75R0402
5RD-5-9684-0P	70R84206S
RD-5-9687-0P	70R94306S
RD-5-9690-0P	70R94601S
RD-5-9691-0P	70R97701S
RD-5-9692-0P	70R94406S
RD-5-9693-0P	70R97006S
RD-5-9694-0P	70R94408S
RD-5-9695-0P	70R97008S
RD-5-9697-0P	70R84551S
RD-5-9699-0P	70R84506S
RD-5-9701-0P	70R84641S
RD-5-9702-0P	70R84446S
RD-5-9703-0P	70R84448S
RD-5-9705-0P	70R84791S
RD-5-9706-0P	70R84692S
RD-5-9707-0P	70R84396S
RD-5-9708-0P	70R84398S
RD-5-9709-0P	70R94991S
RD-5-9711-0P	70R94691S
RD-5-9712-0P	70R94692S
RD-5-9713-0P	70R95091S
RD-5-9714-0P	70R94696S
RD-5-9715-0P	70R96496S
RD-5-9716-0P	70R94498S
RD-5-9717-0P	70R94998S
RD-5-9718-0P	70R96598S
RD-5-9719-0P	70R94391S
RD-5-9720-0P	70R94591S
RD-5-9721-0P	70R94791S
RD-5-9722-0P	70R94396S
RD-5-9726-0P	70R96741S
RD-5-9727-0P	70R96448S
RD-5-9728-0P	70R94341S
RD-5-9729-0P	70R84541S

RED DOT FACTORY NUMBER	AFTERMARKET NUMBER
RD-5-9730-0P	70R84741S
RD-5-9733-0P	70R84401S
RD-5-9734-0P	70R84601S
RD-5-9735-0P	70R84402S
RD-5-9736-0P	70R84406S
RD-5-9737-0P	70R84408S
RD-5-9738-0P	70R84491S
RD-5-9739-0P	70R84691S
RD-5-9742-0P	70R84498S
RD-5-9743-0P	70R84241S
RD-5-9745-0P	70R84242S
RD-5-9746-0P	70R84246S
RD-5-9747-0P	70R84248S
RD-5-9748-0P	70R84291S
RD-5-9749-0P	70R84891S
RD-5-9751-0P	70R84296S
RD-5-9752-0P	70R84298S
RD-5-9753-0P	70R84301S
RD-5-9754-0P	70R84701S
RD-5-9755-0P	70R84321S
RD-5-9756-0P	70R84306S
RD-5-9757-0P	70R84308S
RD-5-9758-0P	70R84001S
RD-5-9759-0P	70R84051S
RD-5-9760-0P	70R84002S
RD-5-9763-0P	75R75678S
RD-5-9764-0P	75R75858S
RD-5-9765-0P	75R75838S
RD-5-9766-0P	75R75158S
RD-5-9767-0P	75R75142S
RD-5-9769-0P	75R75672S
RD-5-9770-0P	75R75832S
RD-5-9771-0P	75R75852S
RD-5-9777-0P	70R3803
RD-5-9802-0P	75R0662
RD-5-9806-0M	75R5525
RD-5-9807-1P	71R8503
RD-5-9808-0P	79R1650
RD-5-9809-0M	70R5120
RD-5-9810-0M	70R5125
RD-5-9812-0P	75R5705
RD-5-9813-0P	75R5698
RD-5-9814-0P	75R5691
RD-5-9815-0P	75R5824
RD-5-9816-0P	75R5825
RD-5-9820-0P	78R8806
RD-5-9821-0P	78R8808
RD-5-9822-0P	78R8810
RD-5-9823-0P	78R8812
RD-5-9824-0P	78R8806SPD
RD-5-9825-0P	78R8808SPD
RD-5-9833-0P	71R1160

RED DOT FACTORY NUMBER	AFTERMARKET NUMBER
RD-5-9900-96P	79R0100
RD-5-9910-0P	75R5738
RD-5-9915-0P	71R1722
RD-5-9919-24P	73R8664
RD-5-9935-0P	71R8450
RD-5-9952-0P	75R5728
RD-5-9953-0P	75R5721
RD-5-9955-0P	75R5722
RD-5-9956-0P	75R5731
RD-5-9979-0M	75R5201
RD-5-9986-0P	79R8940
RD-5-9987-0P	70R5020
RD-5-9988-0P	70R5010
RD-5-9989-0P	70R5005
RD-5-9990-0P	71R6400
RD-5-9991-0P	71R6405
RD-6-4661-0P	71R1510
RD-6-4664-0P	79R1010
RD-6-4691-0P	71R1520
RD-6-4797-0P	71R3502
RD-6-4797-2P	71R3504
RD-6-5125-0P	71R8902
RD-6-5144-0P	71R8903
RD-6-5452-0P	71R5812
RD-6-5524-0P	71R5814
RD-9-1000-0P	75R9970
RD-9-1003-0P	75R9980
RD-9-1048-0P	75R6020
RD-9-1049-0P	75R6030
RD-9-1058-0P	75R9515
RD-9-1068-0P	75R6017
RD-9-1076-0P	75R9535
RD-9-1099-0P	75R9545
RD-9-1105-0P	75R9985
RD-9-1114-0P	75R9585
RD-9-1115-0P	75R9595
RD-9-1147-0P	75R9615
RD-9-1149-0P	75R9625
RD-9-1150-0P	75R6015
RD-9-1166-0P	75R9635
RD-9-1189-0P	75R9645
RD-9-1273-0P	75R9715
RD-9-1318-0P	75R9550
RD-9-1330-0P	75R9895
RD-9-7020-1P	75R9710
RD-9-7112-0P	75R9785
RD-9-7113-0P	75R9795
RD-9-7142-0P	75R9805
RD-9-7298-0P	75R9410
RD-9-7303-0P	75R9400
RD-9-7305-0P	75R9405
RD-9-7386-0P	75R9973

RED DOT FACTORY NUMBER	AFTERMARKET NUMBER
RD-9-7387-0P	75R9565
RD-9-7388-0P	75R9810
RD-9-7389-0P	75R9815
RD-9-7390-0P	75R9820
RD-9-7393-0P	75R9835
RD-9-7394-0P	75R9840
RD-9-7395-0P	75R9845
RD-9-7400-0P	75R9870
RD-9-7401-0P	75R9875
RD-9-9432-3P	75R9920
RD-9-9457-0P	75R6016
RD-9-9910-0P	75R6018
RDG-7035-0P	77R5550

RED DOT PART NUMBER CROSS REFERENCE

AFTERMARKET NUMBER	RED DOT FACTORY NUMBER
301136	301136
301337	301337
402284	402284
404334	404334
404379	404379
404968	404968
405513R	405513R
405625	405625
406401	406401
406402	406402
406433	406433
406434	406434
406631	406631
407310	407310
407368	407368
407800	407800
407801	407801
407813	407813
407853	407853
407955	407955
407995	407995
408019	408019
408273	408273
408378R	408378R
408628	408628
408629	408629
450761	450761
450762	450762
450809	450809
450813	450813
450814	450814
450828	450828
450829	450829
450851	450851
504019	504019
63089	63089
63259	63259
63294	63294
63337	63337
63385	63385
63405	63405
63415	63415
63420	63420
63431	63431
63458	63458
63524	63524
63529	63529
63542	63542
63549	63549
63552	63552
63576	63576
63578	63578

AFTERMARKET NUMBER	RED DOT FACTORY NUMBER
63607	63607
63623	63623
63624	63624
63639	63639
63652	63652
63673	63673
63683	63683
70R1301	RD-5-3721-0P
70R1308	RD-5-3720-0P
70R1401	RD-5-3724-0P
70R1406	RD-5-3722-0P
70R1408	RD-5-3723-0P
70R1491	RD-5-3718-0P
70R1496	RD-5-3716-0P
70R2002S	RD-5-11601-0P
70R2006S	RD-5-12298-0P
70R2011S	RD-5-8265-0P
70R2012S	RD-5-8266-0P
70R2016S	RD-5-8267-0P
70R2018S	RD-5-8268-0P
70R2031	RD-5-7532-0P
70R2031S	RD-5-8273-0P
70R2036S	RD-5-8274-0P
70R2038	RD-5-7531-0P
70R2038S	RD-5-12026-0P
70R2061	RD-5-7605-0P
70R2061S	RD-5-8269-0P
70R2062S	RD-5-8270-0P
70R2066S	RD-5-8271-0P
70R2068	RD-5-7604-0P
70R2068S	RD-5-8272-0P
70R2071	RD-5-7069-0P
70R2071S	RD-5-7058-0P
70R2072S	RD-5-7075-0P
70R2076	RD-5-7072-0P
70R2076S	RD-5-7074-0P
70R2078S	RD-5-7057-0P
70R2081	RD-5-7462-0P
70R2086	RD-5-7411-0P
70R2091S	RD-5-12030-0P
70R2092S	RD-5-12031-0P
70R2096S	RD-5-12028-0P
70R2098S	RD-5-12029-0P
70R2111S	RD-5-12037-0P
70R2201	RD-5-4527-0P
70R2206	RD-5-4528-0P
70R22071	RD-5-8036-0P
70R2301	RD-4186-0P
70R2306	RD-4187-0P
70R2402	RD-5-8237-0P
70R2402S	RD-5-12035-0P
70R2406	RD-5-8234-0P

AFTERMARKET NUMBER	RED DOT FACTORY NUMBER
70R2406S	RD-5-12032-0P
70R2408S	RD-5-12033-0P
70R3001	RD-2-1495-0M
70R3006	RD-2-0750-0M
70R3008	RD-2-0861-0M
70R3206	RD-4177-0P
70R3208	RD-4179-0P
70R3256	RD-4296-0M
70R3258	RD-4322-1P
70R3406	RD-4-3364-0P
70R3408	RD-4-3365-0P
70R3500	RD-5-4903-0P
70R3510S	RD-5-8393-0P
70R3530	RD-5-7071-0P
70R3550	RD-5-4904-0P
70R3590	RD-5-4813-0P
70R3803	RD-5-9777-0P
70R3901	RD-2-0872-2P
70R3906	RD-2-0871-2P
70R3908	RD-2-4844-0P
70R3912	RD-2-4845-0P
70R4001S	RD-5-7457-0P
70R4002S	RD-5-7481-0P
70R4005S	RD-5-12308-0P
70R4006	RD-5-8405-0P
70R4006S	RD-5-7405-0P
70R4008S	RD-5-7431-0P
70R4091S	RD-5-7458-0P
70R4092S	RD-5-7482-0P
70R4096S	RD-5-7406-0P
70R4108	RD-5-7419-0P
70R4191	RD-5-7450-0P
70R4192	RD-5-7470-0P
70R4198	RD-5-7420-0P
70R42390S	RD-5-12295-0P
70R42396S	RD-5-12294-0P
70R4301S	RD-5-6951-0P
70R4302S	RD-5-8261-0P
70R4306S	RD-5-7805-0P
70R4308	RD-5-6478-0P
70R4308S	RD-5-6946-0P
70R4310S	RD-5-12293-0P
70R4311S	RD-5-12291-0P
70R4312S	RD-5-12292-0P
70R4316S	RD-5-12290-0P
70R4341	RD-5-7451-0P
70R4341S	RD-5-6953-0P
70R4342	RD-5-7476-0P
70R4342S	RD-5-8264-0P
70R4346S	RD-5-6942-0P
70R4348S	RD-5-8262-0P
70R4391	RD-5-6484-0P

**Convert
Red Dot
Aftermarket
Numbers to
Red Dot
Factory
Numbers**

**CROSS
REFERENCE**

RED DOT PART NUMBER CROSS REFERENCE

CROSS
REFERENCE

AFTERMARKET NUMBER	RED DOT FACTORY NUMBER
70R4391S	RD-5-6955-0P
70R4392	RD-5-7477-0P
70R4392S	RD-5-8263-0P
70R4396S	RD-5-6944-0P
70R4398S	RD-5-6949-0P
70R4401S	RD-5-6841-0P
70R4402	RD-5-7471-0P
70R4402S	RD-5-7740-0P
70R4406S	RD-5-6838-0P
70R4408S	RD-5-6947-0P
70R4416S	RD-5-8539-0P
70R4441S	RD-5-6954-0P
70R4442	RD-5-7473-0P
70R4442S	RD-5-8462-0P
70R4446S	RD-5-6943-0P
70R4448	RD-5-6719-0P
70R4448S	RD-5-6948-0P
70R4491S	RD-5-6956-0P
70R4492S	RD-5-7733-0P
70R4496S	RD-5-6945-0P
70R4498S	RD-5-6840-0P
70R4501S	RD-5-7661-0P
70R4502S	RD-5-12286-0P
70R4506S	RD-5-7629-0P
70R4508S	RD-5-8277-0P
70R4541S	RD-5-12289-0P
70R4548	RD-5-7428-0P
70R4591	RD-5-6487-0P
70R4591S	RD-5-8278-0P
70R4596	RD-5-7401-0P
70R4596S	RD-5-8279-0P
70R4598	RD-5-6488-0P
70R4598S	RD-5-8280-0P
70R4601S	RD-5-7495-0P
70R4606	RD-5-7534-0P
70R4606S	RD-5-8283-0P
70R4608	RD-5-7421-0P
70R4608S	RD-5-8284-0P
70R4641	RD-5-6493-0P
70R4641S	RD-5-7543-0P
70R4642	RD-5-6492-0P
70R4646S	RD-5-8285-0P
70R4691S	RD-5-6978-0P
70R4692S	RD-5-8058-0P
70R4696	RD-5-6520-0P
70R4696S	RD-5-8286-0P
70R4698	RD-5-7445-0P
70R4698S	RD-5-8463-0P
70R4701S	RD-5-6979-0P
70R4706S	RD-5-8275-0P
70R4791S	RD-5-8195-0P
70R4796S	RD-5-8276-0P

AFTERMARKET NUMBER	RED DOT FACTORY NUMBER
70R4798	RD-5-7424-0P
70R4798S	RD-5-12309-0P
70R4991	RD-5-6524-0P
70R4996	RD-5-7612-0P
70R5000	RD-5-4905-0P
70R5005	RD-5-9989-0P
70R5010	RD-5-9988-0P
70R5020	RD-5-9987-0P
70R5022	RD-5-10200-0M
70R5024	RD-5-10199-0M
70R5026	RD-5-10198-0M
70R5028	RD-5-10338-0M
70R5031	RD-5-11527-0M
70R5032	RD-5-11528-0M
70R5033	RD-5-11529-0M
70R5034	RD-5-11530-0M
70R5035	RD-5-12675-0M
70R5036	RD-5-15284-0P
70R5042	RD-5-10943-0M
70R5046	RD-5-10942-0M
70R5051	RD-5-3730-0M
70R5052	RD-5-9061-0M
70R5056	RD-5-3728-0M
70R5057	RD-5-10085-0M
70R5058	RD-5-3729-0M
70R5091S	RD-5-7641-0P
70R5100	RD-5-6098-0M
70R5103	RD-5-7759-0M
70R5105	RD-5-8984-0M
70R5110	RD-5-6691-0M
70R5115	RD-5-9084-0M
70R5120	RD-5-9809-0M
70R5125	RD-5-9810-0M
70R5200	RD-5-3861-0P
70R5210	RD-5-6600-0P
70R5500	RD-5-14697-0P
70R5501	RD-5-14698-0P
70R5502	RD-5-14699-0P
70R5503	RD-5-15280-0P
70R5504	RD-5-15281-0P
70R5505	RD-5-14697-0P
70R5506	RD-5-15358-0P
70R5550	RD-5-4035-10M
70R5565	RD-5-4476-12M
70R5600	RD-5-4035-16M
70R5650	RD-5-4035-52P
70R5701	RD-5-3791-0P
70R5702	RD-5-6865-0M
70R5706	RD-5-4665-0M
70R5708	RD-5-4666-0M
70R5718	RD-5-5256-0M
70R5770	RD-5-4400-0P

AFTERMARKET NUMBER	RED DOT FACTORY NUMBER
70R6001S	RD-5-12304-0P
70R6006	RD-5-7396-0P
70R6006S	RD-5-8537-0P
70R6008S	RD-5-8538-0P
70R6091S	RD-5-12307-0P
70R6096	RD-5-7397-0P
70R6096S	RD-5-12305-0P
70R6098S	RD-5-12306-0P
70R6441	RD-5-7637-0P
70R6446S	RD-5-12302-0P
70R6448	RD-5-7223-0P
70R6491S	RD-5-7231-0P
70R6492S	RD-5-8282-0P
70R6496	RD-5-7283-0P
70R6496S	RD-5-7546-0P
70R6498S	RD-5-7119-0P
70R6501	RD-5-8774-0P
70R6506	RD-5-8772-0P
70R6508	RD-5-8773-0P
70R6598S	RD-5-7225-0P
70R7001S	RD-5-8017-0P
70R7006S	RD-5-12303-0P
70R7008S	RD-5-7632-0P
70R7050	RD-4317-6M
70R7100	RD-4130-1P
70R7110	RD-5-5525-0P
70R7115	RD-5-5305-0P
70R7150	RD-4366-0P
70R7170	RD-1-0662-0P
70R7175	RD-1-0662-2P
70R7200	RD-5-3876-1P
70R7250	RD-5-4471-0P
70R7270	RD-1-0661-0P
70R7310	RD-1-0795-0P
70R7500	RD-5-3746-1P
70R7550	RD-5-3686-0P
70R7600	RD-1-0425-0P
70R7650	RD-1-0426-0P
70R7750	RD-5-3686-1P
70R8001	RD-5-10543-1P
70R8002	RD-5-10542-1P
70R8006	RD-5-10537-1P
70R8008	RD-5-10539-1P
70R8061	RD-5-10572-1P
70R8062	RD-5-10573-1P
70R8066	RD-5-10570-1P
70R8068	RD-5-10571-1P
70R8071	RD-5-10562-1P
70R8086	RD-5-10560-1P
70R8088	RD-5-10561-1P
70R8091	RD-5-10528-1P
70R8092	RD-5-10530-1P

AFTERMARKET NUMBER	RED DOT FACTORY NUMBER
70R8096	RD-5-10719-1P
70R8098	RD-5-10720-1P
70R8198	RD-5-10721-1P
70R8201	RD-5-10564-1P
70R82071S	RD-5-10500-0P
70R82076S	RD-5-10498-0P
70R82078S	RD-5-10499-0P
70R8208	RD-5-10566-1P
70R8211	RD-5-10701-1P
70R8212	RD-5-10702-1P
70R8216	RD-5-10699-1P
70R8218	RD-5-10700-1P
70R8221	RD-5-11573-1P
70R82251	RD-5-10696-1P
70R82252	RD-5-10697-1P
70R82256	RD-5-10694-1P
70R82258	RD-5-10695-1P
70R8226	RD-5-12485-1P
70R82261	RD-5-10698-1P
70R82511	RD-5-11387-1P
70R8261	RD-5-10708-1P
70R8271	RD-5-10704-1P
70R8272	RD-5-10705-1P
70R8276	RD-5-10706-1P
70R8278	RD-5-10707-1P
70R8281	RD-5-11839-1P
70R8282	RD-5-11840-1P
70R8288	RD-5-11838-1P
70R8291	RD-5-10580-1P
70R8292	RD-5-10703-1P
70R8296	RD-5-10578-1P
70R8298	RD-5-10579-1P
70R8301	RD-5-10534-1P
70R8302	RD-5-10536-1P
70R8306	RD-5-10531-1P
70R8308	RD-5-10533-1P
70R8341	RD-5-10556-1P
70R8346	RD-5-10555-1P
70R8348	RD-5-10554-1P
70R8398	RD-5-10576-1P
70R84001S	RD-5-9758-0P
70R84002S	RD-5-9760-0P
70R84051S	RD-5-9759-0P
70R8420	RD-5-4497-0P
70R84206S	RD-5-9684-0P
70R84241S	RD-5-9743-0P
70R84242S	RD-5-9745-0P
70R84246S	RD-5-9746-0P
70R84248S	RD-5-9747-0P
70R84291S	RD-5-9748-0P
70R84296S	RD-5-9751-0P
70R84298S	RD-5-9752-0P

RED DOT PART NUMBER CROSS REFERENCE

AFTERMARKET NUMBER	RED DOT FACTORY NUMBER
70R84301S	RD-5-9753-0P
70R84306S	RD-5-9756-0P
70R84308S	RD-5-9757-0P
70R84321S	RD-5-9755-0P
70R84396S	RD-5-9707-0P
70R84398S	RD-5-9708-0P
70R84401S	RD-5-9733-0P
70R84402S	RD-5-9735-0P
70R84406S	RD-5-9736-0P
70R84408S	RD-5-9737-0P
70R84446S	RD-5-9702-0P
70R84448S	RD-5-9703-0P
70R84491S	RD-5-9738-0P
70R84498S	RD-5-9742-0P
70R84506S	RD-5-9699-0P
70R84541S	RD-5-9729-0P
70R84551S	RD-5-9697-0P
70R84601S	RD-5-9734-0P
70R84641S	RD-5-9701-0P
70R84691S	RD-5-9739-0P
70R84692S	RD-5-9706-0P
70R84701S	RD-5-9754-0P
70R84741S	RD-5-9730-0P
70R84791S	RD-5-9705-0P
70R84891S	RD-5-9749-0P
70R8500	RD-5-4709-0P
70R8511	RD-5-10550-1P
70R85201	RD-5-11537-1P
70R85202	RD-5-11538-1P
70R85206	RD-5-11536-1P
70R85212	RD-5-11539-1P
70R85222	RD-5-11540-1P
70R85301	RD-5-11541-1P
70R85311	RD-5-11542-1P
70R85312	RD-5-12839-1P
70R85321	RD-5-11544-1P
70R85326	RD-5-11543-1P
70R85336	RD-5-11545-1P
70R8551	RD-5-10549-1P
70R8556	RD-5-10547-1P
70R8558	RD-5-10548-1P
70R8561	RD-5-15588-1P
70R8562	RD-5-15589-1P
70R8566	RD-5-15586-1P
70R8568	RD-5-15587-1P
70R8591	RD-5-10563-1P
70R8598	RD-5-10577-1P
70R8601	RD-5-10512-1P
70R8602	RD-5-10515-1P
70R8606	RD-5-10508-1P
70R8608	RD-5-10510-1P
70R8621	RD-5-10565-1P

AFTERMARKET NUMBER	RED DOT FACTORY NUMBER
70R8641	RD-5-10518-1P
70R8642	RD-5-10519-1P
70R8646	RD-5-10516-1P
70R8648	RD-5-10517-1P
70R8681	RD-5-10574-1P
70R8688	RD-5-10575-1P
70R8691	RD-5-10524-1P
70R8692	RD-5-10527-1P
70R8696	RD-5-10520-1P
70R8698	RD-5-10522-1P
70R8701	RD-5-10513-1P
70R8706	RD-5-10509-1P
70R8708	RD-5-10511-1P
70R8711	RD-5-10535-1P
70R8716	RD-5-10532-1P
70R8761	RD-5-10529-1P
70R8781	RD-5-10541-1P
70R8786	RD-5-10538-1P
70R8788	RD-5-10540-1P
70R8791	RD-5-10525-1P
70R8796	RD-5-10521-1P
70R8798	RD-5-10523-1P
70R8801	RD-5-10711-0M
70R8802	RD-5-10712-0M
70R8806	RD-5-10709-0M
70R8808	RD-5-10710-0M
70R8821	RD-5-10715-0M
70R8822	RD-5-10716-0M
70R8826	RD-5-10713-0M
70R8828	RD-5-10714-0M
70R8831	RD-5-11463-0M
70R8832	RD-5-11464-0M
70R8836	RD-5-11461-0M
70R8838	RD-5-11462-0M
70R8840	RD-5-13242-0M
70R8881	RD-5-10559-1P
70R8886	RD-5-10557-1P
70R8888	RD-5-10558-1P
70R8891	RD-5-10569-1P
70R8996	RD-5-10567-1P
70R8998	RD-5-10568-1P
70R9001S	RD-5-8955-0P
70R9011S	RD-5-8918-0P
70R9012S	RD-5-8941-0P
70R9016S	RD-5-8916-0P
70R9018S	RD-5-8917-0P
70R9071S	RD-5-8921-0P
70R9072S	RD-5-8952-0P
70R9076S	RD-5-8919-0P
70R9078S	RD-5-8920-0P
70R9091S	RD-5-8956-0P
70R9301S	RD-5-8912-0P

AFTERMARKET NUMBER	RED DOT FACTORY NUMBER
70R9306S	RD-5-8910-0P
70R9308S	RD-5-8911-0P
70R9312S	RD-5-12310-0P
70R9391S	RD-5-8915-0P
70R9392S	RD-5-12311-0P
70R9396S	RD-5-8913-0P
70R9398S	RD-5-8914-0P
70R9401S	RD-5-8900-0P
70R9402S	RD-5-8939-0P
70R9406S	RD-5-12240-0P
70R9408S	RD-5-8899-0P
70R94306S	RD-5-9687-0P
70R94341S	RD-5-9728-0P
70R94391S	RD-5-9719-0P
70R94396S	RD-5-9722-0P
70R94406S	RD-5-9692-0P
70R94408S	RD-5-9694-0P
70R94498S	RD-5-9716-0P
70R94591S	RD-5-9720-0P
70R94601S	RD-5-9690-0P
70R94691S	RD-5-9711-0P
70R94692S	RD-5-9712-0P
70R94696S	RD-5-9714-0P
70R94791S	RD-5-9721-0P
70R9491S	RD-5-8906-0P
70R9492S	RD-5-8940-0P
70R9496S	RD-5-8904-0P
70R9498S	RD-5-12246-0P
70R94991S	RD-5-9709-0P
70R94998S	RD-5-9717-0P
70R95091S	RD-5-9713-0P
70R96448S	RD-5-9727-0P
70R96496S	RD-5-9715-0P
70R96598S	RD-5-9718-0P
70R96741S	RD-5-9726-0P
70R97006S	RD-5-9693-0P
70R97008S	RD-5-9695-0P
70R9701S	RD-5-8957-0P
70R9706S	RD-5-12313-0P
70R9708S	RD-5-12314-0P
70R97701S	RD-5-9691-0P
70R9791S	RD-5-8951-0P
70R9796S	RD-5-12315-0P
70R9901S	RD-5-8903-0P
70R9902S	RD-5-12312-0P
70R9903	RD-5-11559-3P
70R9906S	RD-5-8901-0P
70R9908S	RD-5-8902-0P
70R9991S	RD-5-8909-0P
70R9996S	RD-5-8907-0P
70R9998S	RD-5-8908-0P
71R0010	RD-5-3748-0P

AFTERMARKET NUMBER	RED DOT FACTORY NUMBER
71R0030	RD-5-8459-0P
71R0040	RD-5-4283-0P
71R0050	RD-5-3923-0P
71R0100	RD-4123-1P
71R0150	RD-4225-1P
71R0200	RD-4123-2P
71R0250	RD-5-3599-0P
71R0260	RD-5-5400-0P
71R0300	RD-4225-2P
71R0350	RD-5-3988-0P
71R0400	RD-5-0071-0P
71R0450	RD-5-4694-1P
71R0453	RD-5-10056-0P
71R0460	RD-5-6804-0P
71R0470	RD-5-5302-1P
71R0475	RD-5-10192-0P
71R0480	RD-5-8256-0P
71R0485	RD-5-10188-0P
71R0487	RD-5-10196-0P
71R0500	RD-4151-1P
71R0512	RD-5-9037-0P
71R0522	RD-5-8830-0P
71R0532	RD-5-8831-0P
71R0550	RD-4151-2P
71R0600	RD-4151-4P
71R0650	RD-4151-6P
71R0700	RD-4151-7P
71R0840	RD-5-8967-0P
71R0852	RD-5-7215-0P
71R0854	RD-5-7183-0P
71R0862	RD-5-8315-0P
71R0872	RD-5-7181-0P
71R0884	RD-5-8995-0P
71R0892	RD-5-8509-0P
71R1150	RD-5-3646-0P
71R1160	RD-5-9833-0P
71R1163	RD-5-10934-0P
71R1165	RD-5-3779-0P
71R1175	RD-5-8771-0P
71R1200	RD-5-4908-0P
71R1210	RD-5-5194-0P
71R1252	RD-3-4900-0P
71R1262	RD-5-8535-0P
71R1264	RD-5-8535-24P
71R1300	RD-5-5874-0P
71R1310	RD-5-6602-0P
71R1315	RD-5-6714-0P
71R1320	RD-5-7807-0P
71R1325	RD-5-7809-0P
71R1330	RD-5-7192-0P
71R1401	RD-5-9445-0P
71R1402	RD-5-9437-0P

CROSS REFERENCE

RED DOT PART NUMBER CROSS REFERENCE

CROSS
REFERENCE

AFTERMARKET NUMBER	RED DOT FACTORY NUMBER
71R1403	RD-5-9447-0P
71R1404	RD-5-9448-0P
71R1405	RD-5-9449-0P
71R1450	RD-5-3647-0P
71R1455	RD-5-6450-0P
71R1457	RD-5-10341-0P
71R1462	RD-5-13299-0P
71R1463	RD-5-10441-0P
71R1465	RD-5-8923-0P
71R1467	RD-5-13239-0P
71R1470	RD-5-14651-0P
71R1472	RD-5-16211-0P
71R1475	RD-5-14601-0P
71R1477	RD-5-15500-0P
71R1480	RD-5-9062-0P
71R1485	RD-5-8665-0P
71R1510	RD-6-4661-0P
71R1520	RD-6-4691-0P
71R1530	RD-5-8487-1P
71R1610	RD-5-8490-0P
71R1620	RD-5-10590-0P
71R1652	RD-4370-0P
71R1654	RD-5-4287-0P
71R1702	RD-5-4408-0P
71R1704	RD-5-4417-0P
71R1722	RD-5-9915-0P
71R1802	RD-5-5027-1P
71R1900	RD-5-4216-0P
71R1902	RD-5-6690-0P
71R1904	RD-5-6693-0P
71R1910	RD-5-8210-0P
71R1912	RD-5-7232-0P
71R1914	RD-5-7233-0P
71R2100	RD-5-4909-0P
71R2200	RD-5-11031-0P
71R2250	RD-4125-36P
71R2300	RD-4125-48P
71R2305	RD-5-11029-0P
71R2310	RD-4172-0P
71R2400	RD-4125-66P
71R2600	RD-5-4911-0P
71R2700	RD-4226-0P
71R2800	RD-5-4917-0P
71R3100	RD-4427-24P
71R3125	RD-5-8377-0P
71R3150	RD-5-6429-0P
71R3155	RD-5-10736-0P
71R3160	RD-5-8938-0P
71R3200	RD-5-4531-24P
71R3220	RD-5-10335-0P
71R3300	RD-5-8257-0P
71R33220	RD-5-10335-0P

AFTERMARKET NUMBER	RED DOT FACTORY NUMBER
71R3502	RD-6-4797-0P
71R3504	RD-6-4797-2P
71R3540	RD-5-10239-0P
71R3570	RD-3-6038-0M
71R3571	RD-5-8988-0P
71R3572	RD-5-13605-0P
71R3573	RD-5-8791-0P
71R3575	RD-5-6320-0P
71R3576	RD-5-9063-0P
71R3577	RD-5-11862-0P
71R3578	RD-5-9021-0P
71R3579	RD-5-13540-0P
71R3580	RD-5-14607-0P
71R3581	RD-5-14608-0P
71R3582	RD-5-14609-0P
71R3584	RD-5-13604-0P
71R3585	RD-5-14610-0P
71R3587	RD-5-15545-0P
71R3589	RD-5-15542-0P
71R3591	RD-5-15505-0P
71R3593	RD-5-15543-0P
71R3595	RD-5-15544-0P
71R4010	RD-5-8654-1P
71R4011	RD-5-8654-2P
71R4015	RD-5-8812-0P
71R4020	RD-5-8654-0P
71R4030	RD-5-4302-0M
71R4035	RD-5-4450-0P
71R4040	RD-5-5928-0P
71R4050	RD-4181-0P
71R4060	RD-5-8075-0P
71R4063	RD-5-8134-0P
71R4065	RD-5-9133-0M
71R4105	RD-5-8673-0P
71R4501	RD-5-12150-0P
71R4511	RD-5-12151-2P
71R5122	RD-3-13600-0P
71R5212	RD-3-3751-1P
71R5600	RD-3-9379-0P
71R5605	RD-3-9379-1P
71R5812	RD-6-5452-0P
71R5814	RD-6-5524-0P
71R5815	RD-2-6169-0P
71R5817	RD-1-3659-0P
71R5819	RD-1-3660-0P
71R5821	RD-1-3661-0P
71R5823	RD-1-3662-0P
71R6020	RD-5-6397-0P
71R6030	RD-5-4833-0P
71R6040	RD-5-6395-0P
71R6045	RD-5-6395-1P
71R6050	RD-4191-0P

AFTERMARKET NUMBER	RED DOT FACTORY NUMBER
71R6055	RD-5-8982-0P
71R6060	RD-5-5877-0P
71R6070	RD-5-5873-0P
71R6080	RD-5-6394-0P
71R6090	RD-5-6396-0P
71R6093	RD-5-10442-0P
71R6095	RD-5-8026-0P
71R6100	RD-5-4912-0P
71R6110	RD-5-6430-0P
71R6115	RD-5-6639-0P
71R6120	RD-5-6833-0P
71R6125	RD-5-8946-0P
71R6130	RD-5-6834-0P
71R6135	RD-5-7038-0P
71R6140	RD-5-6835-0P
71R6145	RD-5-13227-0P
71R6150	RD-5-9577-0P
71R6155	RD-5-13234-0P
71R6157	RD-5-15305-0P
71R6160	RD-5-8218-0P
71R6170	RD-5-8219-0P
71R6175	RD-5-15317-0P
71R6180	RD-5-8220-0P
71R6181	RD-5-10166-0P
71R6183	RD-5-10167-0P
71R6185	RD-5-10096-0P
71R6210	RD-5-8287-0P
71R6220	RD-5-8288-0P
71R6230	RD-5-8289-0P
71R6235	RD-5-14603-0P
71R6245	RD-5-10097-0P
71R6255	RD-5-10443-0P
71R6257	RD-5-10444-0P
71R6259	RD-5-15293-0P
71R6260	RD-5-14604-0P
71R6261	RD-5-15294-0P
71R6262	RD-5-16218-0P
71R6263	RD-5-13183-0P
71R6264	RD-5-13184-0P
71R6265	RD-5-14605-0P
71R6266	RD-5-15688-0P
71R6267	RD-5-15318-0P
71R6270	RD-5-15501-0P
71R6275	RD-5-15504-0P
71R6280	RD-5-15711-0P
71R6280	RD-5-15711-1P
71R6300	RD-4527-0P
71R6400	RD-5-9990-0P
71R6402	RD-5-10763-0P
71R6405	RD-5-9991-0P
71R6408	RD-5-10766-0P
71R6410	RD-5-10008-0P

AFTERMARKET NUMBER	RED DOT FACTORY NUMBER
71R6412	RD-5-10767-0P
71R6414	RD-5-10768-0P
71R6415	RD-5-10009-0P
71R6416	RD-5-10769-0P
71R6418	RD-5-10778-0P
71R6420	RD-5-10470-0P
71R6422	RD-5-10779-0P
71R6424	RD-5-10783-0P
71R6426	RD-5-10784-0P
71R6430	RD-5-10471-0P
71R6434	RD-5-10787-0P
71R6438	RD-5-10852-0P
71R6442	RD-5-10853-0P
71R6444	RD-5-10854-0P
71R6445	RD-5-10351-0P
71R6448	RD-5-10780-0P
71R6450	RD-5-10789-0P
71R6451	RD-5-10781-0P
71R6452	RD-5-10782-0P
71R6453	RD-5-11380-0P
71R6454	RD-5-10788-0P
71R6456	RD-5-10790-0P
71R6458	RD-5-10850-0P
71R6460	RD-5-10851-0P
71R6463	RD-5-11001-0P
71R6470	RD-5-11026-0P
71R6475	RD-5-10901-0P
71R6480	RD-5-10592-0P
71R6490	RD-5-11020-0P
71R6500	RD-5-11021-0P
71R6510	RD-5-11027-0P
71R6561	RD-5-10771-0P
71R6563	RD-5-10772-0P
71R6565	RD-5-10352-0P
71R6566	RD-5-10855-0P
71R6571	RD-5-11381-0P
71R6573	RD-5-10859-0P
71R6576	RD-5-10860-0P
71R6578	RD-5-10861-0P
71R6580	RD-5-10858-0P
71R6582	RD-5-14636-0P
71R6584	RD-5-14637-0P
71R6600	RD-5-11000-0P
71R7000	RD-5-4646-0P
71R7050	RD-5-4640-0P
71R7073	RD-5-13233-0P
71R7075	RD-5-8433-0P
71R7076	RD-5-12840-0P
71R7077	RD-5-11169-0P
71R7500	RD-5-4585-0P
71R7550	RD-5-4583-0P
71R7600	RD-5-4620-0P

RED DOT PART NUMBER CROSS REFERENCE

AFTERMARKET NUMBER	RED DOT FACTORY NUMBER
71R7650	RD-5-4625-0P
71R8050	RD-4126-1P
71R8060	RD-5-11033-0P
71R8080	RD-5-5862-0P
71R8090	RD-5-10734-0P
71R8100	RD-5-3824-1P
71R8210	RD-5-6099-0P
71R8220	RD-5-10445-0P
71R8300	RD-4157-0P
71R8301	RD-5-6868-1P
71R8301M	RD-5-6868-1M
71R8310	RD-3-7822-0P
71R8321	RD-5-7015-0P
71R8321	RD-5-7015-1P
71R8321M	RD-5-7015-1M
71R8350	RD-5-10334-0P
71R8370	RD-5-7567-0P
71R8380	RD-5-9513-0P
71R8385	RD-5-10546-0P
71R8400	RD-5-7155-0P
71R8404	RD-5-10447-0P
71R8405	RD-5-10447-0P
71R8415	RD-5-10306-0P
71R8420	RD-5-7179-0P
71R8423	RD-5-8100-0P
71R8425	RD-5-10902-0P
71R8430	RD-5-8936-0P
71R8440	RD-5-10333-0P
71R8450	RD-5-9935-0P
71R8451	RD-5-10903-0P
71R8453	RD-5-12520-0P
71R8455	RD-5-12521-0P
71R8457	RD-5-12522-0P
71R8459	RD-5-9327-0P
71R8460	RD-5-14086-0P
71R8461	RD-5-14084-0P
71R8465	RD-5-14618-0P
71R8467	RD-5-14619-0P
71R8469	RD-5-10179-0P
71R8475	RD-5-15296-0P
71R8477	RD-5-15295-0P
71R8479	RD-5-11921-0P
71R8479	RD-5-15297-0P
71R8480	RD-5-15291-0P
71R8481	RD-5-15292-0P
71R8483	RD-5-16206-0P
71R8485	RD-5-16214-0P
71R8489	RD-5-15541-0P
71R8491	RD-5-7187-0P
71R8493	RD-5-7267-0P
71R8497	RD-5-8994-0P
71R8499	RD-5-7186-0P

AFTERMARKET NUMBER	RED DOT FACTORY NUMBER
71R8500	RD-5-4919-0P
71R8500	RD-5-4919-1P
71R8501	RD-5-10012-0P
71R8503	RD-5-9807-1P
71R8504	RD-5-10011-1P
71R8505	RD-5-9564-1P
71R8506	RD-5-10013-1P
71R8507	RD-5-10757-0P
71R8510	RD-5-10014-0P
71R8902	RD-6-5125-0P
71R8903	RD-6-5144-0P
71R8910	RD-2-3765-1P
71R8920	RD-3-10551-2P
71R8925	RD-3-10551-3P
71R8945	RD-5-8993-0P
71R8991	RD-5-7188-0-35M
71R9002	RD-4188-0P
71R9004	RD-4188-24P
71R9300	RD-5-15723-0P
71R9999	RD-5-12151-0P
72R0050	RD-5-4475-0P
72R0070	RD-5-5538-0P
72R0100	RD-5-4740-0P
72R0190	RD-5-5721-1P
72R0200	RD-5-3827-0P
72R0210	RD-5-3827-1P
72R0220	RD-5-3827-2P
72R0240	RD-5-3827-4P
72R0260	RD-5-3827-6P
72R0500	RD-5-4747-0P
72R0600	RD-5-5721-0P
72R0610	RD-5-4721-0P
72R1100	RD-3267-1P
72R1200	RD-5-5414-4P
72R1210	RD-5-5784-5P
72R1300	RD-5-5424-1P
72R1310	RD-5-6028-1P
72R1502	RD-5-0060-0P
72R1504	RD-5-0060-24P
72R2000	RD-5-5476-0P
72R2100	RD-5-3709-0P
72R2105	RD-5-6220-0P
72R2110	RD-5-6555-0P
72R2120	RD-3-8989-0P
72R2130	RD-5-5520-0P
72R2140	RD-5-5552-0P
72R2150	RD-5-4452-0P
72R2160	RD-5-9637-0P
72R2200	RD-5-4451-0P
72R2250	RD-5-3597-0P
72R2255	RD-5-10418-0P
72R2300	RD-4340-0P

AFTERMARKET NUMBER	RED DOT FACTORY NUMBER
72R2350	RD-5-10478-0P
72R2351	RD-5-6987-0P
72R2500	RD-5-3701-0P
72R2550	RD-5-3758-0P
72R2600	RD-5-3702-0P
72R2605	RD-5-10211-0P
72R3000	RD-5-6017-0P
72R3010	RD-3-7838-2P
72R3020	RD-3-7838-3P
72R3050	RD-5-3596-0P
72R3100	RD-5-5223-1P
72R3110	RD-5-5223-0P
72R3111	RD-5-5222-0P
72R3120	RD-5-8436-0P
72R3130	RD-5-9024-0P
72R3135	RD-5-10236-0P
72R3140	RD-5-9053-0P
72R3149	RD-5-11560-0P
72R3150	RD-5-9425-0P
72R3151	RD-5-10030-0P
72R3155	RD-5-9426-0P
72R3156	RD-5-10031-0P
72R3157	RD-5-8928-0P
72R3200	RD-5-3846-0P
72R3510	RD-3196-1P
72R3530	RD-3196-3P
72R3550	RD-3196-5P
72R3600	RD-5-9313-0P
72R3601	RD-1-0422-0P
72R3603	RD-1-0423-0P
72R4010	RD-5-9152-0P
72R4400	RD-5-9157-0P
72R4500	RD-5-9158-0P
72R4510	RD-5-9159-0P
72R4530	RD-3-1566-2P
72R4531	RD-3-4812-2P
72R4532	RD-5-8926-0P
72R4533	RD-1-0639-0P
72R4534	RD-1-1651-0P
72R4535	RD-2-3279-0P
72R4538	RD-3-6060-0P
72R5040	RD-5-4923-0P
72R5050	RD-4257-0P
72R5055	RD-5-10223-0P
72R5060	RD-5-5119-0P
72R5070	RD-5-5191-0P
72R5080	RD-5-5215-0P
72R5110	RD-5-8034-0P
72R5200	RD-5-5300-0P
72R5203	RD-3-11046-0P
72R5204	RD-5-10635-0P
72R5210	RD-5-5300-1P

AFTERMARKET NUMBER	RED DOT FACTORY NUMBER
72R5220	RD-5-7760-1P
72R5230	RD-5-7760-2P
72R5240	RD-5-7760-3P
72R5250	RD-5-7760-0P
72R5260	RD-5-5495-1P
72R5270	RD-5-5495-2P
72R5280	RD-5-8083-0P
72R5285	RD-5-9224-1P
72R5350	RD-5-8193-2P
72R5355	RD-1-2246-0P
72R5360	RD-5-9224-0P
72R5500	RD-5-5192-0P
72R5600	RD-5-5193-0P
72R6400	RD-5-8804-0P
72R6401	RD-5-8804-1P
72R6410	RD-5-8859-0P
72R6420	RD-5-8857-0P
72R6421	RD-5-8857-1P
72R6423	RD-5-8857-2P
72R6425	RD-5-8857-3P
72R6515	RD-5-8943-0P
72R6520	RD-5-10344-0P
72R6525	RD-5-8390-0P
72R6530	RD-5-10345-0P
72R6533	RD-5-11319-0P
72R6535	RD-5-8894-0P
72R6540	RD-5-9415-0P
72R6547	RD-5-10055-0P
72R6554	RD-1-1419-2P
72R6562	RD-1-1746-0P
72R7100	RD-5-10258-0P
72R7105	RD-5-8135-0P
72R7280	RD-4124-18P
72R7290	RD-4124-20P
72R7600	RD-4124-38P
72R7700	RD-4124-76P
72R8190	RD-4180-24P
72R8200	RD-4180-29P
72R8250	RD-4180-36P
72R8255	RD-5-9225-36P
72R8260	RD-5-9443-2P
72R8265	RD-5-9443-3P
72R8270	RD-5-6802-0P
72R8275	RD-5-9443-4P
72R8280	RD-5-6803-0P
72R8300	RD-4180-46P
72R8315	RD-5-6667-46P
72R8360	RD-4180-57P
72R8400	RD-4180-76P
72R8410	RD-4180-79P
72R9000	RD-5-7999-0P
72R9005	RD-5-6917-2P

CROSS REFERENCE

RED DOT PART NUMBER CROSS REFERENCE

CROSS
REFERENCE

AFTERMARKET NUMBER	RED DOT FACTORY NUMBER
72R9010	RD-5-4659-0P
72R9020	RD-5-5901-0P
72R9030	RD-5-4756-0P
72R9040	RD-5-3653-0P
72R9904	RD-5-11209-1P
72R9912	RD-5-11210-0P
73R0012	RD-5-10379-0P
73R0032	RD-5-10491-0P
73R0034	RD-5-10491-24P
73R0042	RD-5-10336-0P
73R0062	RD-5-6440-0P
73R0082	RD-5-10071-0P
73R0092	RD-5-10391-0P
73R0102	RD-5-4550-0P
73R0104	RD-5-4550-24P
73R0142	RD-5-10070-1P
73R0152	RD-4183-0P
73R0202	RD-3106-18P
73R0204	RD-3106-18-24P
73R0212	RD-5-10390-0P
73R0322	RD-5-6531-0P
73R0332	RD-5-10867-0P
73R0352	RD-5-6526-2P
73R0364	RD-5-6071-0P
73R0402	RD-5-6526-1P
73R0404	RD-5-4827-24P
73R0414	RD-5-4827-2P
73R0422	RD-5-6526-0P
73R0432	RD-5-8204-0P
73R0442	RD-5-10905-0P
73R0454	RD-5-3751-24P
73R0462	RD-5-9100-0P
73R0512	RD-5-5120-0P
73R0514	RD-5-5120-24P
73R0522	RD-5-5230-0P
73R0532	RD-5-3690-1P
73R0534	RD-5-3690-1-24P
73R0542	RD-5-7129-0P
73R0544	RD-5-7129-24P
73R0552	RD-3106-12P
73R0554	RD-3106-12-24P
73R0572	RD-5-14073-0P
73R0582	RD-5-14193-0P
73R0602	RD-3106-13P
73R0604	RD-3106-13-24P
73R0612	RD-5-8922-0P
73R0622	RD-5-5269-2P
73R0642	RD-5-10072-1P
73R0652	RD-5-10069-1P
73R0654	RD-5-10255-2P
73R0702	RD-5-4927-0P
73R0912	RD-5-5512-0P

AFTERMARKET NUMBER	RED DOT FACTORY NUMBER
73R0922	RD-5-5634-1P
73R0962	RD-5-8203-0P
73R0982	RD-5-8255-0P
73R0984	RD-5-6785-24P
73R0992	RD-5-14087-0P
73R1002	RD-3-8657-0P
73R1052	RD-5-4932-0P
73R1064	RD-5-9245-24P
73R2102	RD-5-4937-0P
73R2112	RD-5-10383-0P
73R2142	RD-5-10387-0P
73R2152	RD-5-10388-0P
73R2162	RD-5-14088-0P
73R2202	RD-5-10380-0P
73R2222	RD-5-10381-0P
73R2262	RD-5-10053-0P
73R2300	RD-4125-48P
73R3002	RD-5-11466-0P
73R3032	RD-5-10395-0P
73R3052	RD-5-11488-0P
73R3062	RD-5-11489-0P
73R3072	RD-5-11579-0P
73R3082	RD-5-11526-0P
73R3092	RD-5-11843-0P
73R3102	RD-5-12551-0P
73R3112	RD-5-14612-0P
73R3122	RD-5-13067-0P
73R3132	RD-5-13068-0P
73R3142	RD-5-13069-0P
73R3162	RD-5-15574-0P
73R4062	RD-5-5614-0P
73R4064	RD-5-6969-0P
73R4102	RD-5-3780-0P
73R4122	RD-5-8032-0P
73R4162	RD-5-5190-0P
73R4182	RD-5-6801-0P
73R4202	RD-5-3757-12P
73R4204	RD-5-3757-24P
73R4242	RD-5-8126-0P
73R4252	RD-5-5121-0P
73R4254	RD-5-5121-24P
73R4262	RD-5-5121-1P
73R4264	RD-5-5121-2P
73R4274	RD-5-10054-0P
73R4312	RD-5-10073-0P
73R4322	RD-5-10068-0P
73R4422	RD-5-5049-1P
73R4424	RD-5-5049-2P
73R4504	RD-5-4233-24P
73R4532	RD-3-10538-0P
73R4602	RD-5-5837-0P
73R5502	RD-3-6770-0P

AFTERMARKET NUMBER	RED DOT FACTORY NUMBER
73R5504	RD-3-6770-24P
73R5512	RD-5-14191-0P
73R5514	RD-5-8526-1P
73R5522	RD-5-8835-0P
73R5524	RD-5-8836-0P
73R5532	RD-5-8837-0P
73R5534	RD-5-8838-0P
73R5552	RD-5-8583-0P
73R5554	RD-5-8583-1P
73R5562	RD-5-8948-0P
73R5572	RD-5-9194-0P
73R5574	RD-5-9194-24P
73R5584	RD-5-9194-1P
73R5622	RD-5-9204-0P
73R5624	RD-5-9204-1P
73R5632	RD-3-9290-0P
73R5634	RD-3-9290-24P
73R5642	RD-5-8837-1P
73R5652	RD-5-14046-0P
73R5662	RD-5-12742-0P
73R5664	RD-5-12742-24P
73R5672	RD-3-14448-0P
73R5674	RD-3-14448-1P
73R5772	RD-5-14684-0P
73R6051	RD-3106-9P
73R6051	RD-5-8618-0P
73R6100	RD-3-3031-0P
73R6101	RD-3106-38P
73R6151	RD-3106-39P
73R6230	RD-5-5263-0P
73R6251	RD-5-3800-1P
73R6253	RD-5-10753-0P
73R6270	RD-5-8947-0P
73R6300	RD-5-7312-0P
73R6350	RD-5-7311-0P
73R6370	RD-5-5601-0P
73R6381	RD-5-6651-1P
73R6383	RD-5-10435-0P
73R7000	RD-5-5656-0P
73R7071	RD-3-4829-1P
73R7101	RD-5-3933-1P
73R7110	RD-5-6970-0P
73R7120	RD-5-6970-1P
73R7130	RD-5-10346-0P
73R7135	RD-5-13230-0P
73R7151	RD-3-2557-2P
73R7200	RD-5-8092-0P
73R7201	RD-5-10935-0P
73R7202	RD-5-10935-2P
73R7210	RD-5-8092-1P
73R7215	RD-5-14613-0P
73R7220	RD-5-15298-0P

AFTERMARKET NUMBER	RED DOT FACTORY NUMBER
73R8050	RD-3133-9P
73R8081	RD-5-13533-0P
73R8100	RD-2-1060-0P
73R8100	RD-5-7297-0P
73R8110	RD-4-3508-0P
73R8320	RD-5-10083-0P
73R8554	RD-5-8559-0P
73R8562	RD-5-8703-2P
73R8564	RD-5-8703-3P
73R8582	RD-5-8631-2P
73R8584	RD-5-8631-3P
73R8592	RD-5-8785-2P
73R8594	RD-5-8785-5P
73R8612	RD-5-8627-5P
73R8614	RD-5-8627-6P
73R8624	RD-5-13259-1P
73R8642	RD-5-9076-2P
73R8644	RD-5-9076-3P
73R8652	RD-5-8747-4P
73R8654	RD-5-8747-5P
73R8664	RD-5-9919-24P
73R8674	RD-5-10933-1P
73R8702	RD-5-8759-1P
73R8712	RD-5-14681-0P
73R8722	RD-5-14682-0P
73R9052	RD-5-4575-0P
73R9054	RD-5-4575-24P
73R9062	RD-5-5796-0P
73R9064	RD-5-5796-24P
73R9072	RD-5-5887-0P
73R9082	RD-5-10490-0P
73R9202	RD-5-4296-0P
73R9204	RD-5-4296-1P
74R0401	RD-5-8862-1P
74R0450	RD-5-4947-0P
74R0455	RD-5-14094-0P
74R0460	RD-5-7064-0P
74R0462	RD-5-7064-1P
74R0470	RD-5-8605-1P
74R0475	RD-5-14685-0P
74R0475	RD-5-14685-1P
74R0480	RD-5-14686-0P
74R0485	RD-5-14687-0P
74R0495	RD-5-14647-0P
74R0500	RD-5-15710-0P
74R0906	RD-5-4950-0P
74R1106	RD-5-7559-0P
74R1407	RD-5-11532-0P
74R1427	RD-5-11531-0P
74R1436	RD-5-10744-1P
74R1437	RD-5-10744-1P
74R1706	RD-5-3593-1P

RED DOT PART NUMBER CROSS REFERENCE

AFTERMARKET NUMBER	RED DOT FACTORY NUMBER
74R1756	RD-5-3593-0P
74R1806	RD-5-5571-0P
74R1826	RD-5-7062-1P
74R1836	RD-5-9455-0P
74R1846	RD-5-6575-0P
74R1856	RD-5-5572-0P
74R1866	RD-5-7063-0P
74R1906	RD-5-4632-1P
74R1956	RD-5-4632-0P
74R2002	RD-5-10434-1P
74R2006	RD-5-14638-0P
74R2016	RD-5-14639-0P
74R2026	RD-5-14640-0P
74R2106	RD-4160-1P
74R2306	RD-5-6504-1P
74R2447	RD-5-7272-1P
74R2527	RD-5-7061-8P
74R2537	RD-5-7061-7P
74R2566	RD-5-3843-1P
74R2577	RD-5-7061-6P
74R2586	RD-5-4727-0P
74R2590	RD-5-9419-1P
74R2596	RD-5-4727-1P
74R2608	RD-5-11192-0P
74R2616	RD-5-10777-0P
74R2668	RD-5-11193-0P
74R2677	RD-5-9515-1P
74R2687	RD-5-10591-0P
74R2706	RD-5-4955-0P
74R2716	RD-5-12462-0P
74R2797	RD-5-6768-2P
74R2800	RD-5-9389-0P
74R3066	RD-5-5589-0P
74R3070	RD-5-9440-0P
74R3077	RD-5-11534-0P
74R3107	RD-5-11533-0P
74R3126	RD-5-10589-1P
74R3129	RD-5-11522-0P
74R3137	RD-5-11185-0P
74R3147	RD-5-10584-0P
74R3148	RD-5-11194-0P
74R3157	RD-5-10735-1P
74R3309	RD-5-11195-0P
74R3317	RD-5-11190-0P
74R3318	RD-5-10729-1P
74R3320	RD-5-10741-1P
74R3321	RD-5-10941-0P
74R3322	RD-5-6768-2P
74R3323	RD-5-11189-0P
74R3324	RD-5-11535-0P
74R3325	RD-5-14095-0P
74R3326	RD-5-10744-1P

AFTERMARKET NUMBER	RED DOT FACTORY NUMBER
74R3328	RD-5-11188-0P
74R3331	RD-5-11196-0P
74R3332	RD-5-13250-1P
74R3337	RD-5-7292-1P
74R3347	RD-5-8240-1P
74R3357	RD-5-11184-0P
74R3376	RD-5-7517-1P
74R3377	RD-5-11186-0P
74R3450	RD-5-4959-0P
74R3456	RD-5-12757-1P
74R3466	RD-5-6567-2P
74R3477	RD-5-7563-1P
74R3517	RD-5-5955-1P
74R3526	RD-5-7564-0P
74R3527	RD-5-7564-1P
74R3537	RD-5-7565-1P
74R4007	RD-5-6075-1P
74R4017	RD-5-6077-1P
74R4027	RD-5-11028-1P
74R4028	RD-5-14648-0P
74R4116	RD-5-6076-0P
74R4207	RD-5-9055-1P
74R4208	RD-5-15698-0P
74R4215	RD-5-13216-1P
74R4216	RD-5-15323-0P
74R4217	RD-5-15324-0P
74R4218	RD-5-15689-1P
74R4219	RD-5-15703-0P
74R4220	RD-5-16204-0P
74R5050	RD-5-4961-0P
74R5060	RD-5-9556-1P
74R5061	RD-5-10927-0P
74R5062	RD-5-9556-1P
74R5076	RD-5-14083-0P
74R5081	RD-5-10462-0P
74R5088	RD-5-15287-0P
74R5090	RD-5-15697-0P
74R5093	RD-5-10201-0P
74R5095	RD-5-11546-0P
74R5097	RD-5-12623-0P
74R5100	RD-5-16200-0P
74R5101	RD-5-16201-0P
74R5102	RD-5-16202-0P
74R5103	RD-5-16203-0P
74R5401	RD-5-14650-0P
74R5405	RD-5-14045-0P
74R5600	RD-5-4962-0P
74R7210	RD-3-3454-0P
74R7220	RD-4220-0P
74R8006	RD-5-7570-0M
75R0032	RD-5-10398-0P
75R0042	RD-5-5574-0P

AFTERMARKET NUMBER	RED DOT FACTORY NUMBER
75R0052	RD-5-10399-0P
75R0062	RD-5-10727-0P
75R0072	RD-5-10526-0P
75R0082	RD-5-10544-0P
75R0092	RD-5-10545-0P
75R0172	RD-5-11025-0P
75R0182	RD-5-6646-0P
75R0192	RD-5-7831-0P
75R0194	RD-5-7832-0P
75R0202	RD-5-5486-0P
75R0204	RD-5-5487-0P
75R0242	RD-5-10400-0P
75R0252	RD-5-10722-0P
75R0262	RD-5-10723-0P
75R0274	RD-5-10232-0P
75R0302	RD-5-4966-0P
75R0402	RD-5-9665-0P
75R0422	RD-5-10367-0P
75R0452	RD-5-4967-0P
75R0502	RD-5-10363-0P
75R0512	RD-5-10364-0P
75R0522	RD-5-10366-0P
75R0612	RD-5-8009-0P
75R0662	RD-5-9802-0P
75R0682	RD-5-10365-0P
75R1202	RD-5-4972-1P
75R1212	RD-5-10724-0P
75R1302	RD-5-9456-0P
75R1342	RD-5-10397-0P
75R1412	RD-5-9249-0P
75R1414	RD-5-9250-0P
75R1512	RD-5-10360-0P
75R1522	RD-5-10362-0P
75R1532	RD-5-10368-0P
75R1542	RD-5-10369-0P
75R1652	RD-5-4975-0P
75R1832	RD-5-10759-0P
75R1842	RD-5-10760-0P
75R1852	RD-5-10761-0P
75R1862	RD-5-10762-0P
75R4502	RD-5-4994-0P
75R4534	RD-5-8382-0P
75R4585	RD-5-7166-0P
75R4702	RD-5-10401-0P
75R4734	RD-5-9659-0P
75R4762	RD-5-10359-0P
75R4782	RD-5-10301-0P
75R4792	RD-5-10302-0P
75R4802	RD-5-11374-0P
75R4812	RD-5-13784-0P
75R5005	RD-5-5751-0P
75R5007	RD-5-7982-0P

AFTERMARKET NUMBER	RED DOT FACTORY NUMBER
75R5102	RD-5-5752-0P
75R5104	RD-5-5754-0P
75R5124	RD-5-7830-0P
75R5200	RD-5-8334-0M
75R5201	RD-5-9979-0M
75R5520	RD-5-3698-0M
75R5525	RD-5-9806-0M
75R5530	RD-5-14076-0M
75R5535	RD-5-14077-0M
75R5540	RD-5-5401-0M
75R5555	RD-5-11325-0M
75R5556	RD-5-11223-0M
75R5560	RD-5-7523-0M
75R5565	RD-5-8293-0M
75R5570	RD-5-7524-0M
75R5575	RD-5-8292-0M
75R5580	RD-5-15288-0M
75R5585	RD-5-15289-0M
75R5608	RD-5-3693-0P
75R5641	RD-5-7614-0P
75R5648	RD-5-7613-0P
75R5652	RD-5-14046-0P
75R5658	RD-5-5197-0P
75R5661	RD-5-7320-0P
75R5668	RD-5-7318-0P
75R5671	RD-5-7456-0P
75R5672	RD-5-7480-0P
75R5678	RD-5-7430-0P
75R5681	RD-5-7967-0P
75R5688	RD-5-7966-0P
75R5691	RD-5-9814-0P
75R5698	RD-5-9813-0P
75R5700	RD-5-4997-0M
75R5705	RD-5-9812-0P
75R5711	RD-5-5397-0P
75R5718	RD-5-5396-0P
75R5721	RD-5-9953-0P
75R5722	RD-5-9955-0P
75R5728	RD-5-9952-0P
75R5731	RD-5-9956-0P
75R5738	RD-5-9910-0P
75R5761	RD-5-7690-0P
75R5768	RD-5-7688-0P
75R5801	RD-5-7310-0P
75R5806	RD-5-7306-0P
75R5808	RD-5-7539-0P
75R5813	RD-5-7277-0M
75R5814	RD-5-7278-0M
75R5815	RD-5-7964-0P
75R5819	RD-5-8850-0P
75R5820	RD-5-8851-0P
75R5824	RD-5-9815-0P

CROSS REFERENCE

RED DOT PART NUMBER CROSS REFERENCE

CROSS
REFERENCE

AFTERMARKET NUMBER	RED DOT FACTORY NUMBER
75R5825	RD-5-9816-0P
75R5832	RD-5-7489-0P
75R5833	RD-5-9218-0M
75R5834	RD-5-9219-0M
75R5842	RD-5-7487-0P
75R5852	RD-5-7488-0P
75R5858	RD-5-7438-0P
75R5878S	RD-5-8402-0P
75R6000	RD-5-5031-0P
75R6010	RD-5-5032-0P
75R6015	RD-9-1150-0P
75R6016	RD-9-9457-0P
75R6017	RD-9-1068-0P
75R6018	RD-9-9910-0P
75R6020	RD-9-1048-0P
75R6030	RD-9-1049-0P
75R6040	RD-5-6547-0P
75R6041	RD-5-6415-0P
75R6500	RD-5-8339-0P
75R6510	RD-5-8338-0P
75R6530	RD-5-8340-0P
75R6545	RD-5-7704-0P
75R6550	RD-5-8336-0P
75R7280	RD-5-8637-0P
75R7285	RD-5-8060-1P
75R7290	RD-5-8638-0P
75R7295	RD-5-8060-1P
75R7295	RD-5-8061-1P
75R7300	RD-5-10029-0P
75R7312	RD-5-11217-0P
75R7322	RD-5-11218-0P
75R7332	RD-5-11219-0P
75R7342	RD-5-14641-0P
75R7352	RD-5-14642-0P
75R7362	RD-5-14050-0P
75R75142S	RD-5-9767-0P
75R75158S	RD-5-9766-0P
75R75182	RD-5-11973-0P
75R75192	RD-5-11974-0P
75R75201	RD-5-11978-1P
75R75202	RD-5-11834-1P
75R75208	RD-5-11833-1P
75R75212	RD-5-11830-1P
75R75218	RD-5-11829-1P
75R75222	RD-5-11832-1P
75R75228	RD-5-11831-1P
75R75672S	RD-5-9769-0P
75R75678S	RD-5-9763-0P
75R75832S	RD-5-9770-0P
75R75838S	RD-5-9765-0P
75R75852S	RD-5-9771-0P
75R75858S	RD-5-9764-0P

AFTERMARKET NUMBER	RED DOT FACTORY NUMBER
75R7822Q	RD-5-10492-1P
75R8102	RD-5-5000-0P
75R81104	RD-5-11234-0P
75R81114	RD-5-11235-0P
75R81134	RD-5-11236-0P
75R81152	RD-5-11237-0P
75R81162	RD-5-11238-0P
75R81172	RD-5-11239-0P
75R81184	RD-5-11240-0P
75R81184Q	RD-5-12569-0P
75R81192	RD-5-11241-0P
75R81202	RD-5-11242-0P
75R81212	RD-5-11243-0P
75R81232	RD-5-11244-0P
75R81232Q	RD-5-11244-1P
75R81252	RD-5-11245-0P
75R81262	RD-5-11247-0P
75R81274	RD-5-11248-0P
75R81282A	RD-5-11249-2P
75R81292A	RD-5-11250-2P
75R81292Q	RD-5-11250-1P
75R81302	RD-5-11251-0P
75R81302Q	RD-5-11251-1P
75R81352	RD-5-11254-0P
75R81352Q	RD-5-11254-0P
75R81362	RD-5-11256-0P
75R81362Q	RD-5-11256-1P
75R81372	RD-5-11257-0P
75R81372Q	RD-5-11257-1P
75R81382	RD-5-11258-0P
75R81392	RD-5-11259-0P
75R81402	RD-5-11260-0P
75R81412	RD-5-11310-0P
75R81452	RD-5-11313-0P
75R81462	RD-5-11315-0P
75R81472Q	RD-5-11316-1P
75R81482	RD-5-11322-0P
75R81492	RD-5-11324-0P
75R81502	RD-5-11326-0P
75R81512	RD-5-11328-0P
75R81532	RD-5-11330-0P
75R81552	RD-5-11331-0P
75R81562	RD-5-11334-0P
75R81572	RD-5-11336-0P
75R81612	RD-5-11340-0P
75R81622	RD-5-12330-0P
75R81622Q	RD-5-12330-1P
75R81632	RD-5-12332-0P
75R81632 (SD)	RD-5-12332-0P
75R81632Q	RD-5-12332-1P
75R81642Q	RD-5-12535-0P
75R81652	RD-5-11343-0P

AFTERMARKET NUMBER	RED DOT FACTORY NUMBER
75R81652Q	RD-5-11343-1P
75R81662	RD-5-12334-0P
75R81662A	RD-5-12334-2P
75R81662Q	RD-5-12334-1P
75R81672	RD-5-11345-0P
75R81682	RD-5-11346-0P
75R81692	RD-5-11347-0P
75R81732	RD-5-11350-0P
75R81762	RD-5-11356-0P
75R8184	RD-5-7566-0P
75R82102	RD-5-10307-0P
75R82132	RD-5-10310-0P
75R82142	RD-5-10493-0P
75R82312	RD-5-13062-0P
75R82312Q	RD-5-13062-1P
75R8252	RD-5-11047-0P
75R8252	RD-5-8945-0P
75R83112	RD-5-10283-0P
75R83132	RD-5-10284-0P
75R83152	RD-5-10288-0P
75R8332	RD-5-9088-0P
75R8354	RD-5-8680-0P
75R8354Q	RD-5-8680-1P
75R8372	RD-5-7090-0P
75R8374	RD-5-7091-0P
75R8374Q	RD-5-7091-1P
75R8382	RD-5-7088-0P
75R8382	RD-5-7088-1P
75R8382Q	RD-5-7088-1P
75R8384	RD-5-7089-0P
75R84112	RD-5-10259-0P
75R84114	RD-5-11161-0P
75R84132	RD-5-10261-0P
75R84152	RD-5-10303-0P
75R84162	RD-5-10262-0P
75R84172	RD-5-10263-0P
75R84182	RD-5-10264-0P
75R84192	RD-5-10265-0P
75R84212	RD-5-10266-0P
75R8422	RD-5-7120-0P
75R84232	RD-5-10267-0P
75R8424	RD-5-7124-0P
75R84252	RD-5-10268-0P
75R84292	RD-5-10273-0P
75R84302A	RD-5-13235-2P
75R84302Q	RD-5-13235-0P
75R84312	RD-5-10274-0P
75R8432	RD-5-7522-0P
75R84332	RD-5-11159-0P
75R84352	RD-5-10275-0P
75R84362	RD-5-10276-0P
75R84382	RD-5-10278-0P

AFTERMARKET NUMBER	RED DOT FACTORY NUMBER
75R84382Q	RD-5-10278-1P
75R8442	RD-5-7373-0P
75R84452	RD-5-10282-0P
75R84462	RD-5-11160-0P
75R84472	RD-5-10285-0P
75R84482	RD-5-10286-0P
75R84492	RD-5-10287-0P
75R84512	RD-5-10290-0P
75R84522	RD-5-6919-0P
75R84532	RD-5-10291-0P
75R8454	RD-5-10725-0P
75R84552	RD-5-10292-0P
75R84562	RD-5-10294-0P
75R84572	RD-5-10295-0P
75R84592	RD-5-11220-0P
75R84594	RD-5-10260-0P
75R84612Q	RD-5-10297-1P
75R8462	RD-5-9251-0P
75R84622	RD-5-10738-0P
75R8462Q	RD-5-11373-1P
75R84632	RD-5-10737-0P
75R8464	RD-5-9458-0P
75R84654	RD-5-9319-0P
75R84662	RD-5-11002-0P
75R84672	RD-5-13071-0P
75R84684	RD-5-12179-0P
75R84694	RD-5-13072-0P
75R8472Q	RD-5-11316-1P
75R8502Q	RD-5-5875-1P
75R85032Q	RD-5-9609-10P
75R85032Q	RD-5-9609-9P
75R8505	RD-5-8010-0P
75R8507	RD-5-9611-0P
75R8510	RD-5-9154-0P
75R85102Q	RD-5-12899-0P
75R85112Q	RD-5-12901-0P
75R8512Q	RD-5-5876-1P
75R85132Q	RD-5-12900-0P
75R8515	RD-5-9155-0P
75R8520	RD-5-9156-0P
75R8522Q	RD-5-7023-1P
75R8532Q	RD-5-8944-1P
75R85332Q	RD-5-10319-1P
75R8542Q	RD-5-9028-1P
75R8544Q	RD-5-9059-1P
75R8552Q	RD-5-9609-10P
75R8562Q	RD-5-13042-0P
75R85632	RD-5-10321-0P
75R85632Q	RD-5-10321-1P
75R85642Q	RD-5-11373-1P
75R85714Q	RD-5-10323-1P
75R8572Q	RD-5-13060-0P

RED DOT PART NUMBER CROSS REFERENCE

AFTERMARKET NUMBER	RED DOT FACTORY NUMBER
75R85732Q	RD-5-10428-1P
75R85734	RD-5-10322-0P
75R85734Q	RD-5-10322-1P
75R85832Q	RD-5-10324-1P
75R85932Q	RD-5-10325-1P
75R86092Q	RD-5-10431-1P
75R8612Q	RD-5-7145-1P
75R86132Q	RD-5-10429-1P
75R86134Q	RD-5-10326-1P
75R86142Q	RD-5-12530-1P
75R86144Q	RD-5-11866-2P
75R8614Q	RD-5-7163-2P
75R861522Q	RD-5-12902-0P
75R86152Q	RD-5-10327-1P
75R86162	RD-5-10328-0P
75R86162Q	RD-5-10328-1P
75R86172Q	RD-5-10329-1P
75R86182Q	RD-5-10426-1P
75R86194	RD-5-10427-0P
75R86194Q	RD-5-10427-2P
75R86202Q	RD-5-11521-1P
75R86212Q	RD-5-11520-1P
75R86222Q	RD-5-11523-1P
75R86232Q	RD-5-13041-0P
75R86322Q	RD-5-12904-0P
75R86324Q	RD-5-12903-0P
75R8632Q	RD-5-7164-1P
75R86332Q	RD-5-13153-0P
75R8634Q	RD-5-7165-1P
75R8644Q	RD-5-8884-1P
75R8664Q	RD-5-8884-1P
75R8672Q	RD-5-12529-0P
75R8674Q	RD-5-12905-0P
75R8682Q	RD-5-12528-0P
75R8702Q	RD-5-10728-1P
75R8704Q	RD-5-12525-0P
75R8712Q	RD-5-9609-11P
75R8714Q	RD-5-13063-1P
75R8722	RD-5-10492-0P
75R8772	RD-5-12523-0P
75R8772Q	RD-5-12568-0P
75R8782Q	RD-5-12906-0P
75R8784Q	RD-5-12907-0P
75R8802Q	RD-5-11318-1P
75R8812Q	RD-5-13655-0P
75R8814Q	RD-5-12630-0P
75R8822Q	RD-5-12564-0P
75R8917	RD-5-10316-0P
75R8920	RD-5-11151-0P
75R8921	RD-5-11152-0P
75R8922	RD-5-11048-0P
75R89302	RD-5-10885-0P

AFTERMARKET NUMBER	RED DOT FACTORY NUMBER
75R89304	RD-5-15719-0P
75R89305	RD-5-10880-0P
75R89310	RD-5-10881-0P
75R89312	RD-5-10886-0P
75R89315	RD-5-10882-0P
75R89320	RD-5-10883-0P
75R89325	RD-5-10884-0P
75R89327	RD-5-11007-0P
75R89332	RD-5-11004-0P
75R89334	RD-5-10888-0P
75R89352	RD-5-10890-0P
75R89354	RD-5-10892-0P
75R89372	RD-5-10893-0P
75R89374	RD-5-10895-0P
75R89382	RD-5-10894-0P
75R89392	RD-5-10897-0P
75R89412	RD-5-11008-0P
75R89422	RD-5-10899-0P
75R89424	RD-5-10900-0P
75R89432	RD-5-11005-0P
75R89462	RD-5-11006-0P
75R89474	RD-5-11009-0P
75R89484	RD-5-11010-0P
75R89492	RD-5-12550-0P
75R89502	RD-5-13207-0P
75R89522	RD-5-13209-0P
75R89522Q	RD-5-13209-1P
75R89532	RD-5-13210-0P
75R89542	RD-5-13211-0P
75R89552Q	RD-5-13212-1P
75R89562	RD-5-13213-0P
75R89562Q	RD-5-13213-1P
75R89572	RD-5-13214-0P
75R89572Q	RD-5-13214-1P
75R89582Q	RD-5-13215-1P
75R89592Q	RD-5-15533-0P
75R89602	RD-5-13226-0P
75R89602Q	RD-5-13226-1P
75R89612	RD-5-14093-0P
75R89612Q	RD-5-15531-0P
75R89614Q	RD-5-15532-0P
75R89622	RD-5-14652-0P
75R89622Q	RD-5-14652-1P
75R89624Q	RD-5-14643-0P
75R89632	RD-5-14653-0P
75R89632Q	RD-5-15310-0P
75R89642	RD-5-14654-0P
75R89652	RD-5-14655-0P
75R89662	RD-5-14656-0P
75R89672	RD-5-14658-0P
75R89682	RD-5-14659-0P
75R89692	RD-5-14660-0P

AFTERMARKET NUMBER	RED DOT FACTORY NUMBER
75R89702	RD-5-14661-0P
75R89712	RD-5-14662-0P
75R89722	RD-5-14663-0P
75R89732	RD-5-14664-0P
75R89742	RD-5-14666-0P
75R89744	RD-5-14665-0P
75R89752	RD-5-14689-0P
75R89752Q	RD-5-14667-0P
75R89752Q	RD-5-14689-1P
75R89762	RD-5-14696-0P
75R89772	RD-5-15326-0P
75R89782Q	RD-5-15523-0P
75R89792	RD-5-15320-0P
75R89802Q	RD-5-14690-0P
75R89812Q	RD-5-14691-0P
75R89832	RD-5-15359-0P
75R89834Q	RD-5-15720-0P
75R89840Q	RD-5-15721-1P
75R89842	RD-5-16210-0P
75R89852Q	RD-5-15572-1P
75R89862	RD-5-16217-0P
75R89872A	RD-5-16266-2P
75R90001	RD-5-16215-0P
75R90002	RD-5-16216-0P
75R9004	RD-5-14066-0P
75R9014	RD-5-14067-0P
75R9014D	RD-5-14067-1P
75R9024	RD-5-14068-0P
75R9024D	RD-5-14068-1P
75R9027	RD-5-14068-0P
75R9034	RD-5-14069-0P
75R9044	RD-5-14070-0P
75R9052	RD-5-14079-0P
75R9052D	RD-5-14079-1P
75R9060	RD-5-5165-0P
75R9062	RD-5-14080-0P
75R9062D	RD-5-14080-1P
75R9072	RD-5-14644-0P
75R9072D	RD-5-14644-1P
75R9082	RD-5-14645-0P
75R9082D	RD-5-14645-1P
75R9092	RD-5-14646-0P
75R9092D	RD-5-14646-1P
75R9400	RD-9-7303-0P
75R9405	RD-9-7305-0P
75R9410	RD-9-7298-0P
75R9500	RD-5-5126-0P
75R9515	RD-9-1058-0P
75R9530	RD-5-5183-0P
75R9535	RD-9-1076-0P
75R9545	RD-9-1099-0P
75R9550	RD-9-1318-0P

AFTERMARKET NUMBER	RED DOT FACTORY NUMBER
75R9565	RD-9-7387-0P
75R9585	RD-9-1114-0P
75R9595	RD-9-1115-0P
75R9612	RD-5-13248-0P
75R9612Q	RD-5-13248-0P
75R9612Q	RD-5-13248-1P
75R9615	RD-9-1147-0P
75R9622	RD-5-11556-0P
75R9622	RD-5-15526-0P
75R9625	RD-9-1149-0P
75R9635	RD-9-1166-0P
75R9645	RD-9-1189-0P
75R9670	RD-5-5566-0P
75R9672	RD-5-11834-0P
75R9678	RD-5-11833-0P
75R9710	RD-9-7020-1P
75R9715	RD-9-1273-0P
75R9785	RD-9-7112-0P
75R9795	RD-9-7113-0P
75R9805	RD-9-7142-0P
75R9810	RD-9-7388-0P
75R9815	RD-9-7389-0P
75R9820	RD-9-7390-0P
75R9832	RD-5-11830-0P
75R9835	RD-9-7393-0P
75R9838	RD-5-11829-0P
75R9840	RD-9-7394-0P
75R9845	RD-9-7395-0P
75R9852	RD-5-11832-0P
75R9858	RD-5-11831-0P
75R9870	RD-9-7400-0P
75R9875	RD-9-7401-0P
75R9880	RD-5-15725-0P
75R9885	RD-5-15726-0P
75R9890	RD-5-6232-0P
75R9892	RD-5-16205-0P
75R9895	RD-9-1330-0P
75R9915	RD-5-15724-0P
75R9920	RD-9-9432-3P
75R9925	RD-5-15728-0P
75R9930	RD-5-15727-0P
75R9970	RD-9-1000-0P
75R9973	RD-9-7386-0P
75R9980	RD-9-1003-0P
75R9985	RD-9-1105-0P
75RR89624Q	RD-5-14643-0P
76R0500	RD-1-0427-0P
76R1000	RD-1-0726-0P
76R1030	RD-1-0830-0P
76R1100	RD-1-0355-0P
76R1110	RD-1-0355-1P
76R1120	RD-1-0355-4P

CROSS REFERENCE

RED DOT PART NUMBER CROSS REFERENCE

CROSS
REFERENCE

AFTERMARKET NUMBER	RED DOT FACTORY NUMBER
76R1400	RD-1-0355-2P
76R1410	RD-1-0355-3P
76R1450	RD-1-0355-5P
76R1510	RD-1-0771-1P
76R1550	RD-1-1401-0P
76R1560	RD-1-1755-0P
76R1600	RD-1-0799-0P
76R1860	RD-1-1379-0P
76R1870	RD-1-1480-0P
76R1880	RD-2-6298-0P
76R1900	RD-1-0615-1P
76R2010	RD-1-0958-0P
76R2030	RD-2-6297-0P
76R2155	RD-1-2557-0P
76R2210	RD-1-0371-1P
76R2300	RD-1-0333-0P
76R2320	RD-1-0755-0P
76R2330	RD-1-0752-0P
76R2340	RD-1-0752-1P
76R2350	RD-1-0574-0P
76R2400	RD-1-0563-0P
76R2410	RD-1-0822-0P
76R2420	RD-1-1201-0P
76R2450	RD-1-0665-0P
76R2500	RD-1-0460-1P
76R2550	RD-1-1326-0P
76R2600	RD-1-0147-1P
76R2730	RD-1-0746-0P
76R2740	RD-1-2069-0P
76R3000	RD-1-0266-1P
76R3250	RD-1-0650-0P
76R3300	RD-1-0550-0P
76R3400	RD-1-0388-0P
76R3420	RD-1-1603-0P
76R3450	RD-1-0520-0P
76R3455	RD-1-1370-0P
76R3460	RD-1-0715-0P
76R3465	RD-1-2006-0P
76R3470	RD-1-1364-0P
76R3475	RD-5-14620-0P
76R3495	RD-5-14621-0P
76R3500	RD-1-0325-0P
76R3900	RD-1-0680-0P
76R3905	RD-3-10194-0P
76R3910	RD-1-0700-0P
76R3920	RD-1-1281-0P
76R3925	RD-1-3912-0P
76R3930	RD-1-0744-0P
76R3940	RD-1-2079-0P
76R3943	RD-1-2379-0P
76R3950	RD-1-1919-0P
76R4000	RD-1-0600-0P

AFTERMARKET NUMBER	RED DOT FACTORY NUMBER
76R4020	RD-1-1748-0P
76R4023	RD-1-1965-0P
76R4100	RD-1-2333-0P
76R4200	RD-1-1478-0P
76R4300	RD-1-1614-0P
76R4305	RD-1-1975-0P
76R4900	RD-2-1633-0P
76R4920	RD-2-2047-0P
76R5000	RD-2-1510-0P
76R5030	RD-2-1909-0P
76R5200	RD-2-0993-1P
76R5300	RD-2-1664-0P
76R5320	RD-2-3251-0P
76R5323	RD-2-5661-0P
76R5500	RD-2-1195-0P
76R5520	RD-2-1755-0P
76R5700	RD-2-2885-0P
76R5716	RD-2-6297-0P
76R5820	RD-2-3413-0P
76R6015	RD-2-2791-0P
76R6020	RD-5-14622-0P
76R6040	RD-2-2928-0P
76R6070	RD-2-3773-0P
76R6120	RD-2-1660-0P
76R6130	RD-2-1898-0P
76R6130	RD-2-3425-0P
76R6140	RD-2-1590-0P
76R6150	RD-2-1402-0P
76R6160	RD-2-1862-0P
76R6180	RD-2-1480-1P
76R6310	RD-2-1272-0P
76R6325	RD-2-3832-0P
76R6350	RD-2-1316-0P
76R6440	RD-2-1650-0P
76R6500	RD-2-1051-0P
76R6550	RD-2-2495-0P
76R6650	RD-2-3070-0P
76R6655	RD-2-2780-0P
76R6668	RD-2-6298-0P
76R6700	RD-2-1156-0P
76R6850	RD-2-1485-0P
76R6950	RD-2-1381-0P
76R6960	RD-2-2502-0P
76R7010	RD-2-1610-0P
76R7020	RD-2-2775-1P
76R7030	RD-2-3008-0P
76R7060	RD-2-6513-0P
76R7070	RD-2-1370-0P
76R7100	RD-2-1121-2P
76R7450	RD-2-3923-0P
76R7505	RD-5-7847-0P
76R7507	RD-2-3828-0P

AFTERMARKET NUMBER	RED DOT FACTORY NUMBER
76R7510	RD-2-1655-0P
76R7520	RD-2-1616-0P
76R7525	RD-5-7847-0P
76R7530	RD-2-2423-0P
76R7535	RD-2-4032-0P
76R7550	RD-2-1766-0P
76R7560	RD-2-2440-0P
76R7570	RD-2-3321-0P
76R7580	RD-2-3395-0P
76R7700	RD-2-1470-0P
76R7710	RD-2-3398-0P
76R7712	RD-5-14624-0P
76R7715	RD-2-2897-0P
76R7720	RD-2-3410-0P
76R7725	RD-2-3629-0P
76R7730	RD-2-6299-0P
76R7735	RD-2-7284-0P
76R7740	RD-2-7285-0P
76R7745	RD-2-7297-0P
76R7750	RD-2-7298-0P
76R7755	RD-4-7540-0P
77R0090	RD-4-4440-0P
77R0095	RD-4-7278-0P
77R0110	RD-4-4069-1P
77R0115	RD-4-7279-0P
77R0250	RD-4-4144-2P
77R0260	RD-4-4130-0P
77R0350	RD-4-3586-0P
77R0355	RD-4-7280-0P
77R0500	RD-4-3874-1P
77R0530	RD-4-4400-0P
77R0560	RD-4-4232-0P
77R0570	RD-4-5146-1P
77R0580	RD-4-5462-0P
77R0585	RD-4-6343-0P
77R0590	RD-4-7385-0P
77R0620	RD-4-4738-0P
77R0630	RD-4-5122-0P
77R0635	RD-4-7281-0P
77R0650	RD-4-3724-0P
77R0660	RD-4-4724-0P
77R0665	RD-4-4931-0P
77R0670	RD-4-4414-0P
77R0675	RD-4-7282-0P
77R0700	RD-4-3945-0P
77R0705	RD-4-7020-0P
77R0710	RD-4-7018-0P
77R0715	RD-4-7283-0P
77R0720	RD-4-7284-0P
77R0800	RD-4-3646-0P
77R0900	RD-4-4161-0P
77R0950	RD-4-3916-0P

AFTERMARKET NUMBER	RED DOT FACTORY NUMBER
77R0990	RD-4-5045-0P
77R1100	RD-4-3917-0P
77R1105	RD-4-5762-0P
77R1275	RD-4-5722-0P
77R1277	RD-4-7131-0P
77R1279	RD-4-7306-0P
77R1280	RD-4-5377-0P
77R1285	RD-4-5361-0P
77R1290	RD-4-5378-0P
77R1295	RD-4-5503-0P
77R1300	RD-4-5418-0P
77R1305	RD-5-12051-0P
77R1310	RD-4-5379-0P
77R1320	RD-5-9560-0P
77R1325	RD-4-6091-0P
77R1330	RD-4-5709-0P
77R1335	RD-4-6812-0P
77R1414	RD-4-7018-0P
77R1419	RD-4-5693-0P
77R1502	RD-4-5990-0P
77R1504	RD-4-5990-1P
77R1512	RD-4-7083-0P
77R1514	RD-4-7083-0-24P
77R1522	RD-4-7084-0P
77R1524	RD-4-7084-0-24P
77R1602	RD-5-9616-0P
77R1604	RD-4-5498-0P
77R1612	RD-5-9617-0P
77R1614	RD-5-9618-0P
77R1622	RD-4-5311-0P
77R1624	RD-4-5312-0P
77R1632	RD-4-5700-1P
77R1634	RD-4-5700-1-24P
77R1702	RD-4-7085-0P
77R1704	RD-4-7085-0-24P
77R5250	RD-4-3682-0P
77R5260	RD-4-4377-0P
77R5263	RD-4-4972-0P
77R5550	RDG-7035-0P
77R5910	RD-4-3714-0P
77R6250	RD-4-5743-0P
77R6255	RD-4-5655-1P
77R6800	RD-4-3372-3P
77R6807	RD-4-5696-0P
77R6817	RD-4-5273-0P
77R6900	RD-4-3434-1P
77R6920	RD-4-3727-2P
77R6925	RD-4-3745-1P
77R6930	RD-4-3990-0P
77R6935	RD-4-4550-0P
77R6940	RD-4-4550-1P
77R6945	RD-4-4300-0P

RED DOT PART NUMBER CROSS REFERENCE

AFTERMARKET NUMBER	RED DOT FACTORY NUMBER
77R6947	RD-4-4360-0P
77R6950	RD-4-5658-0P
77R6951	RD-4-6811-0P
77R6955	RD-4-4613-1P
77R6957	RD-5-12488-0P
77R6960	RD-4-4403-1P
77R6965	RD-4-4276-0P
77R6970	RD-4-5190-4P
77R6975	RD-4-5190-5P
77R6978	RD-4-6527-0P
77R6980	RD-4-3901-1P
77R6982	RD-4-7017-0P
77R6985	RD-4-6560-0P
77R6990	RD-4-4219-0P
77R6995	RD-4-7040-0P
77R7000	RD-4-4713-0P
77R7005	RD-4-4724-1P
77R7010	RD-4-5154-0P
77R7020	RD-4-5116-0P
77R7050	RD-4-5760-0P
77R7100	RD-4-4968-0P
77R7702	RD-4-5770-0P
77R7704	RD-4-5769-0P
77R7705	RD-4-7277-0P
77R7706	RD-4-5763-0P
77R7708	RD-4-5764-0P
77R7710	RD-4-5765-0P
77R7712	RD-4-5766-0P
77R7714	RD-4-5767-0P
77R7715	RD-4-6414-0P
77R7716	RD-4-5768-0P
77R7800	RD-4-3722-0P
77R7900	RD-4-3683-2P
77R8100	RD-4-3723-0P
77R8200	RD-4-3595-4P
77R8301	RD-4-5226-4P
77R8305	RD-4-7081-0P
77R8309	RD-4-7371-0P
77R8310	RD-4-7353-0P
77R8320	RD-4-7352-0P
77R8325	RD-4-7365-0P
77R8330	RD-4-7362-0P
77R8335	RD-4-7358-0P
77R8340	RD-4-7360-0P
77R8345	RD-4-7348-0P
77R8350	4379-RD473610P
77R8350	RD-4-7361-0P
77R8355	RD-4-7386-0P
77R8365	RD-4-7363-0P
77R8370	RD-4-7474-0P
77R8375	RD-4-7473-0P
77R8380	RD-4-7472-0P

AFTERMARKET NUMBER	RED DOT FACTORY NUMBER
77R8385	RD-4-7544-0P
77R8390	RD-4-7528-0P
77R8395	RD-4-7529-0P
77R8400	RD-4-7531-0P
77R8405	RD-4-7532-0P
77R8410	RD-4-7533-0P
77R8415	RD-4-7535-0P
77R8420	RD-4-7538-0P
77R8425	RD-4-7534-0P
77R8430	RD-4-7540-0P
77R8435	RD-4-7541-0P
77R8440	RD-5-7543-0P
77R8445	RD-4-7542-0P
77R8450	RD-4-7498-0P
77R8450	RD-4-7545-0P
77R8455	RD-4-7546-0P
77R8460	RD-4-7547-0P
77R8465	RD-4-7496-0P
77R8470	RD-4-7501-0P
77R8475	RD-4-7502-0P
77R8480	RD-4-7503-0P
77R8485	RD-4-7504-0P
77R8490	RD-4-7497-0P
77R8490	RD-4-7552-0P
77R8495	RD-4-7551-0P
77R9000	RD-5-5403-0P
77R9005	RD-5-5403-2P
77R9010	RD-5-5403-1P
77R9015	RD-5-5403-3P
77R9020	RD-11-0054-0P
77R9025	1761
77R9027	1866
77R9030	RD-5-14081-0P
78R0030	RD-5-4680-0-WHTP
78R0040	RD-5-4680-0-BLKP
78R0050	RD-5-3657-0P
78R0060	RD-5-5791-600-WHTP
78R0063	RD-5-5791-600-GRNP
78R0065	RD-5-5791-600-REDP
78R0070	RD-5-3550-120P
78R0075	RD-5-6532-120P
78R0090	RD-5-5938-0M
78R0100	RD-5-4187-0P
78R0101	RD-5-6304-600P
78R0110	RD-5-7582-600P
78R0200	RD-5-5122-108P
78R0250	RD-5-5123-108P
78R0300	RD-5-3930-108P
78R0350	RD-4156-108P
78R0400	RD-5-3927-108P
78R0451	RD-5-5010-600P
78R0451SP	RD-5-5010-0P

AFTERMARKET NUMBER	RED DOT FACTORY NUMBER
78R0452	RD-5-5012-600P
78R0452SP	RD-5-5012-0P
78R0456	RD-5-5006-600P
78R0456SP	RD-5-5006-0P
78R0458	RD-5-5008-600P
78R0458SP	RD-5-5008-0P
78R1025	RD-5-5015-4P
78R1027	RD-5-11864-1P
78R1070	RD-5-5406-2P
78R1470	RD-5-8012-0P
78R1505	RD-5-5014-1P
78R1605	RD-5-3789-8P
78R1705	RD-11-0092-2P
78R1805	RD-5-3789-9P
78R2080	RD-5-6678-0P
78R2090	RD-5-5688-0P
78R2100	RD-5-6683-0P
78R3000	RD-2-7322-0P
78R3001	RD-2-7323-0P
78R3002	RD-2-7299-0P
78R3003	RD-2-7300-0P
78R3004	RD-2-7301-0P
78R3005	RD-2-7302-0P
78R3006	RD-2-7303-0P
78R3007	RD-2-7304-0P
78R3008	RD-2-7511-0P
78R3009	RD-2-7598-0P
78R3010	RD-2-7599-0P
78R3011	RD-2-7597-0P
78R5000	RD-5-3905-0P
78R5003	RD-5-4288-0P
78R5004	RD-5-5152-0P
78R5005	RD-5-5151-0P
78R5006	RD-5-5150-0P
78R5007	RD-5-4289-0P
78R5008	RD-5-12975-0P
78R5100	RD-5-5147-0P
78R5110	RD-5-5147-1P
78R5150	RD-3-5065-0P
78R5155	RD-5-15546-0P
78R5160	RD-5-15547-0P
78R5165	RD-5-15570-0P
78R5170	RD-5-15327-0P
78R5171	RD-5-15327-1P
78R5180	RD-5-15334-0P
78R5200	RD-5-5431-0P
78R5210	RD-5-5432-0P
78R5211	RD-5-9302-0P
78R5212	RD-5-9303-0P
78R5236M	RD-5-10077-1P
78R5237M	RD-5-11841-1P
78R5238	RD-3-7331-0P

AFTERMARKET NUMBER	RED DOT FACTORY NUMBER
78R5239	RD-5-11224-0P
78R5239M	RD-5-11224-1P
78R5240	RD-5-8582-0P
78R5240M	RD-5-8582-1P
78R5241	RD-3-8777-0P
78R5242	RD-5-12354-0P
78R5243	RD-3-9805-0P
78R5244M	RD-5-10076-1P
78R5245M	RD-5-9130-1P
78R5246	RD-3-8416-0P
78R5246M	RD-3-8416-1P
78R5247M	RD-5-10415-1P
78R5249M	RD-5-10080-1P
78R5250	RD-5-10416-0P
78R5251	RD-3-6407-0P
78R5252M	RD-5-10078-1P
78R5253	RD-1-0860-1P
78R5253M	RD-1-0860-1P
78R5254M	RD-5-10079-1P
78R5255M	RD-5-10082-1P
78R5256M	RD-5-10075-1P
78R5257M	RD-5-10081-1P
78R5258M	RD-5-10074-1P
78R5259M	RD-3-6406-1P
78R5290	RD-5-7262-0P
78R5291	RD-2-3683-0P
78R5291M	RD-2-3683-1P
78R5300	RD-5-5937-0P
78R5300M	RD-5-5937-1P
78R5301	RD-3-10331-0P
78R5302	RD-5-10774-0P
78R5304	RD-5-10776-0P
78R5305M	RD-5-14635-0P
78R5305M	RD-5-14635-1P
78R5306M	RD-5-10773-1P
78R5308	RD-5-10775-0P
78R5309	RD-5-10249-0P
78R5309M	RD-5-10249-1P
78R5310M	RD-3-4804-1P
78R5315	RD-5-8105-0P
78R5318	RD-5-8668-0P
78R5320	RD-5-6124-0P
78R5330M	RD-3-6162-1P
78R5340	RD-5-6240-0P
78R5350	RD-5-6867-0P
78R5351	RD-5-10041-0P
78R5351M	RD-5-10041-1P
78R5353M	RD-5-10795-1P
78R5355	RD-3-10591-0P
78R5360M	RD-5-8076-1P
78R5361M	RD-5-9234-1P
78R5363M	RD-5-9233-1P

CROSS REFERENCE

RED DOT PART NUMBER CROSS REFERENCE

CROSS
REFERENCE

AFTERMARKET NUMBER	RED DOT FACTORY NUMBER
78R5367	RD-3-10847-0P
78R5367M	RD-3-10847-1P
78R5370	RD-3-6408-0P
78R5375	RD-5-8106-0P
78R5380	RD-5-8079-0P
78R5385	RD-5-15285-0P
78R5390	RD-3-7099-0P
78R5390M	RD-3-7099-1P
78R5400M	RD-5-5428-1P
78R5410	RD-5-13785-0P
78R5410M	RD-5-9077-1P
78R5420M	RD-5-10745-1P
78R5425	RD-5-16212-0P
78R5430	RD-5-11836-0P
78R5435	RD-5-12936-0P
78R5440	RD-5-15282-0P
78R5450	RD-5-14695-0P
78R5455	RD-5-14693-0P
78R5460	RD-5-14694-0P
78R5470M	RD-3-9158-2P
78R5500	RD-5-6427-1P
78R5501	RD-5-9308-0P
78R8451	RD-5-10506-600P
78R8451SP	RD-5-10506-0P
78R8452	RD-5-10507-600P
78R8452SP	RD-5-10507-0P
78R8456	RD-5-10504-600P
78R8456SP	RD-5-10504-0P
78R8458	RD-5-10505-600P
78R8458SP	RD-5-10505-0P
78R8806	RD-5-9820-0P
78R8806SPD	RD-5-9824-0P
78R8808	RD-5-9821-0P
78R8808SPD	RD-5-9825-0P
78R8810	RD-5-9822-0P
78R8812	RD-5-9823-0P
78R9456	RD-5-12106-600P
78R9461	RD-5-12110-600P
78R9461SP	RD-5-12110-0P
78R9462	RD-5-12112-600P
78R9462SP	RD-5-12112-0P
78R9466SP	RD-5-12106-0P
78R9468	RD-5-12108-600P
78R9468SP	RD-5-12108-0P
78R9600	RD-5-4021-0M
79R0020	RD-5-7106-0M
79R0030	RD-5-10908-0M
79R0100	RD-5-9900-96P
79R0101	RD-5-11081-0P
79R0102	RD-5-7747-96P
79R0103	RD-5-11082-0P
79R0105	RD-5-11143-0P

AFTERMARKET NUMBER	RED DOT FACTORY NUMBER
79R0109	RD-5-11146-0P
79R0120	RD-5-11580-0P
79R0138	RD-5-4762-96P
79R0140	RD-5-11080-0P
79R0150	RD-5-5905-96P
79R0160	RD-5-11101-0P
79R0170	RD-5-11154-0P
79R0180	RD-5-11153-0P
79R0190	RD-5-11115-0P
79R0195	RD-5-11116-0P
79R0225	RD-5-7357-96P
79R0241	RD-5-5662-96P
79R0250	RD-5-7171-96P
79R0258	RD-5-5908-96P
79R0330	RD-5-10377-0P
79R1010	RD-6-4664-0P
79R1150	RD-5-10209-0P
79R1153	RD-5-11525-0P
79R1255	RD-5-11113-0P
79R1502	RD-5-7788-0P
79R1503	RD-5-7787-0P
79R1504	RD-5-7786-0P
79R1505	RD-5-8481-0P
79R1520	RD-5-7731-0P
79R1525	RD-5-7732-0P
79R1531	RD-5-11230-0P
79R1532	RD-5-11231-0P
79R1536	RD-5-11227-0P
79R1538	RD-5-11228-0P
79R1541	RD-5-11229-0P
79R1546	RD-5-11226-0P
79R1560	RD-5-11225-0P
79R1565	RD-5-11232-0P
79R1650	RD-5-9808-0P
79R1660	RD-5-11135-0P
79R1681	RD-5-10016-0P
79R1682	RD-5-10018-0P
79R1710	RD-5-8291-0P
79R1720	RD-5-10479-0P
79R1730	RD-5-11117-0P
79R1800	RD-5-11114-0P
79R1810	RD-5-11120-0P
79R1815	RD-5-11121-0P
79R1820	RD-5-11122-0P
79R1825	RD-5-11083-0P
79R1911	RD-5-11562-0P
79R1912	RD-5-11563-0P
79R1914	RD-5-11561-0P
79R2925	RD-5-11125-0P
79R3120	RD-5-11104-0P
79R3125	RD-5-11105-0P
79R3127	RD-5-11106-0P

AFTERMARKET NUMBER	RED DOT FACTORY NUMBER
79R3129	RD-5-13228-0P
79R3137	RD-5-11137-0P
79R3140	RD-5-11085-0P
79R3143	RD-5-11110-0P
79R3161	RD-5-11093-0P
79R3162	RD-5-11086-0P
79R3163	RD-5-11092-0P
79R3164	RD-5-11088-0P
79R3165	RD-5-11091-0P
79R3166	RD-5-11090-0P
79R3171	RD-5-11096-0P
79R3172	RD-5-11099-0P
79R3173	RD-5-11095-0P
79R3174	RD-5-11098-0P
79R3175	RD-5-11094-0P
79R3176	RD-5-11097-0P
79R3178	RD-5-11102-0P
79R3179	RD-5-11103-0P
79R3532	RD-5-11966-0P
79R3576	RD-5-11365-0P
79R3590	RD-5-11578-0P
79R3591	RD-5-12321-0P
79R3597	RD-5-12318-0P
79R4004	RD-5-11124-0P
79R4006	RD-5-11148-0P
79R4007	RD-5-11123-0P
79R4008	RD-5-11138-0P
79R4020	RD-5-11139-0P
79R4030	RD-5-11140-0P
79R4040	RD-5-11118-0P
79R4050	RD-5-11119-0P
79R4400	RD-5-4058-360P
79R4550	RD-5-5916-0P
79R4561	RD-5-9633-0P
79R4562	RD-5-9634-0P
79R4563	RD-5-9635-0P
79R4580	RD-5-7102-0P
79R4580	RD-5-7103-0P
79R4585	RD-5-7166-0P
79R4587	RD-5-13221-0P
79R4595	RD-5-8062-0P
79R4597	RD-5-11568-0P
79R4600	RD-5-8958-0P
79R4605	RD-5-8960-0P
79R4650	RD-5-10206-0P
79R4655	RD-5-10207-0P
79R4685	RD-5-15571-0P
79R4710	RD-5-11327-0P
79R5030	RD-5-8039-0M
79R5033	RD-5-10487-0P
79R5035	RD-5-13225-0P
79R5901	RD-5-11043-0P

AFTERMARKET NUMBER	RED DOT FACTORY NUMBER
79R6700	RD-5-7242-0P
79R8915	RD-5-10718-0P
79R8916	RD-5-11372-0P
79R8920	RD-5-10717-0P
79R8926	RD-5-13543-0P
79R8930	RD-5-10739-0P
79R8931	RD-5-10740-0P
79R8940	RD-5-9986-0P
79R8945	RD-5-12674-0P
79R8950	RD-5-12676-0P
79R9516	RD-5-8895-0P
79R9518	RD-5-8896-0P
79R9521	RD-5-8897-0P
79R9681	RD-5-10017-0P
79R9682	RD-5-10019-0P

301337	68	70R4001S	511	70R4596S	511
402284	68	70R4002S	511	70R4598	511
406433	66	70R4005S	515	70R4598S	511
406434	66	70R4006	515	70R4601	516
407800	68	70R4006S	511	70R4601S	516
407801	68	70R4008S	511	70R4606	516
407813	68	70R4091S	511	70R4606S	516
450813	68	70R4092S	511	70R4608	516
450828	68	70R4096S	511	70R4608S	516
504019	68	70R4098S	511	70R4641	516
70R2001S	513	70R42390S	514	70R4641S	516
70R2006S	513	70R42396S	514	70R4646S	516
70R2011S	509	70R4301S	512	70R4691	516
70R2012S	509	70R4302S	512	70R4691S	516
70R2016S	509	70R4306S	512	70R4696	516
70R2018S	509	70R4308	512	70R4696S	516
70R2031S	509	70R4308S	512	70R4698	516
70R2036S	509	70R4310S	514	70R4698S	516
70R2038S	509	70R4311S	514	70R4701S	516
70R2061S	509	70R4316S	514	70R4706S	516
70R2062S	509	70R4341	512	70R4791S	516
70R2066S	509	70R4341S	512	70R4796S	516
70R2068S	509	70R4342	512	70R4798	515
70R2071S	509	70R4342S	512	70R4798S	515
70R2072S	509	70R4346	512	70R4991	513
70R2076	509	70R4346S	512	70R4996	513
70R2076S	509	70R4348	512	70R5000	541
70R2078S	509	70R4348S	512	70R5005	542
70R2112	510	70R4391	512	70R5010	541
70R2201	544	70R4391S	512	70R5020	353, 363, 365, 367, 387, 389, 391, 393, 395, 397, 399, 542
70R2206	544	70R4392	512	70R5022	125, 543
70R2301	544	70R4392S	512	70R5024	125, 543
70R2306	544	70R4396S	512	70R5026	125, 543
70R2401	510	70R4398S	512	70R5031	125, 543
70R2402	510	70R4402	513	70R5032	125, 543
70R2402S	510	70R4402S	513	70R5033	125, 543
70R2406	510	70R4406S	513	70R5034	125, 543
70R2406S	510	70R4408S	513	70R5056	520
70R2408S	510	70R4416S	513	70R5091S	516
70R3001	520	70R4441S	513	70R5100	414, 520
70R3006	520	70R4442	513	70R5110	414, 520
70R3008	520	70R4442S	513	70R5115	414, 520
70R3206	520	70R4446	513	70R5120	414, 520
70R3208	520	70R4446S	513	70R5125	414, 520
70R3256	520	70R4448	513	70R5501	140, 540
70R3258	520	70R4448S	513	70R5502	140, 540
70R3406	520	70R4491S	513	70R5503	140, 540
70R3408	520	70R4492S	513	70R5504	140, 540
70R3500	91, 558	70R4496S	513	70R5506	540
70R3510S	514	70R4498S	513	70R5550	521
70R3530	558	70R4501S	511	70R5565	521
70R3550	558	70R4502S	511	70R5600	521
70R3590	558	70R4506S	511	70R5650	521
70R3901	520	70R4508S	511	70R5701	521
70R3906	520	70R4591	511	70R5706	521
70R3908	520	70R4591S	511	70R5708	521
70R3912	520	70R4596	511		

RED DOT PART NUMBER INDEX

70R5718	521	70R8212	497, 506, 507	70R8691	499, 506, 507	70R9791S	518
70R5770	521	70R8216	497	70R8692	499, 506, 507	70R9796S	518
70R6001S	515	70R8218	497, 506, 507	70R8696	499, 506, 507	70R9901S	517
70R6006	515	70R82251	499	70R8698	499, 506, 507	70R9903	506
70R6006S	515	70R82252	499	70R8701	499, 506, 507	70R9906S	517
70R6008S	515	70R82256	499	70R8706	499, 506, 507	70R9908S	517
70R6091S	515	70R82258	499	70R8708	499, 506	70R9991S	517
70R6096	515	70R82261	499	70R8711	499, 506, 507	70R9996S	517
70R6096S	515	70R82511	499	70R8716	499	70R9998S	517
70R6098S	515	70R8261	497, 506, 507	70R8761	498	71R0010	67, 128, 172, 203, 232, 574
70R6446S	514	70R8271	497, 506, 507	70R8781	500, 506, 507	71R0030	567
70R6491S	514	70R8272	497, 506, 507	70R8786	500, 506	71R0040	567
70R6492S	514	70R8276	497	70R8788	500	71R0050	73, 574
70R6496	514	70R8278	497, 506, 507	70R8791	499, 506, 507	71R0100	70, 128, 574
70R6496S	514	70R8281	497	70R8796	499, 506, 507	71R0150	158, 574
70R6498S	514	70R8282	497	70R8798	499, 506	71R0200	67, 172, 574
70R6501	515	70R8288	497	70R8801	504, 595	71R0250	158, 574
70R6506	515	70R8291	497	70R8802	504, 595	71R0260	574
70R6508	67, 515	70R8292	497, 506	70R8806	504, 595	71R0300	158, 574
70R6598S	514	70R8296	497	70R8808	504, 595	71R0350	574
70R7001S	513	70R8298	497	70R8821	504, 595	71R0400	67, 172, 232, 574, 575
70R7002S	513	70R8301	499, 506, 507	70R8822	504, 595	71R0450	172, 574, 575
70R7008S	513	70R8302	499	70R8826	504, 595	71R0453	158, 574, 575
70R7050	520	70R8306	499, 506, 507	70R8828	504, 595	71R0460	574, 575
70R7100	521	70R8308	499	70R8881	502	71R0470	173, 574, 575
70R7110	70, 521	70R8341	499	70R8886	502	71R0475	574, 575
70R7150	521	70R8346	499	70R8888	502	71R0480	144, 574, 575
70R7170	521	70R8348	499	70R8891	498	71R0485	574, 575
70R7175	521	70R8398	500	70R8996	498	71R0487	191, 574, 575
70R7200	521	70R8420	614	70R8998	498	71R0500	158, 571
70R7250	521	70R8511	502, 506, 507	70R9001S	518	71R0512	571
70R7270	521	70R85201	501	70R9011S	517	71R0522	571
70R7310	521, 533	70R85202	501	70R9012S	517	71R0532	571
70R7500	521	70R85206	501	70R9016S	517	71R0550	158, 172, 571
70R7550	521	70R85212	501	70R9018S	517	71R0600	158, 571
70R7600	73, 521	70R85222	501	70R9071S	517	71R0650	571
70R7650	73, 521	70R85301	501	70R9072S	517	71R0700	571
70R7750	521	70R85311	502	70R9076S	517	71R0840	203, 571
70R8001	500	70R85321	501	70R9078S	517	71R0852	571, 572
70R8002	500	70R85326	501	70R9091S	518	71R0854	571, 572
70R8006	500, 506, 507	70R85336	501	70R9301S	517	71R0862	571, 572
70R8008	500	70R8551	502, 506, 507	70R9306S	517	71R0872	571, 572
70R8061	497, 506	70R8556	502, 506, 507	70R9308S	517	71R0884	571, 572
70R8062	497, 506	70R8558	502, 506, 507	70R9312S	517	71R0892	571, 572
70R8066	497	70R8591	502	70R9391S	517	71R1150	64, 65, 67, 68, 72, 77, 128, 144, 158, 172, 173, 213, 573
70R8068	497, 506	70R8598	500	70R9396S	517	71R1160	66, 128, 144, 172, 187, 203, 213, 304, 305, 573
70R8071	502	70R8601	499, 506, 507	70R9398S	517	71R1163	215, 222, 245, 261, 262, 264, 268, 271, 292, 294, 304, 305, 573
70R8086	502	70R8602	499, 506, 507	70R9401S	517	71R1165	128, 573
70R8088	502	70R8606	499, 506, 507	70R9402S	517	71R1175	173, 573
70R8091	498, 506, 507	70R8608	499, 506, 507	70R9408S	517	71R1200	245, 573
70R8092	498	70R8621	498	70R9491S	517	71R1210	73, 128, 172, 213, 215, 222, 245, 573
70R8096	498	70R8641	499	70R9492S	517	71R1262	461
70R8098	498, 506, 507	70R8642	499	70R9496S	517	71R1264	461
70R8198	498	70R8646	499	70R9498S	517		
70R8201	498	70R8648	499	70R9701S	518		
70R8208	498	70R8681	500	70R9706S	518		
70R8211	497	70R8688	500	70R9708S	518		

71R1300	158, 187, 565
71R1310	158, 187, 565
71R1315	158, 187, 565
71R1320	565
71R1325	565
71R1330	565
71R1401	289, 291, 297, 300, 302, 303, 330-333
71R1402	265, 279, 330-333
71R1403	231, 241, 330, 331, 333
71R1404	297, 300, 330, 331, 333
71R1405	330, 333
71R1450	64-69, 77, 128, 172, 187, 203, 231, 241, 265, 279, 281, 284, 309, 310, 569
71R1455	128, 297, 300, 309, 310, 569
71R1457	128, 143, 157, 187, 203, 569
71R1463	172, 187, 203, 569
71R1465	217, 265, 279, 569
71R1467	569
71R1470	143, 570
71R1475	143, 569
71R1477	143, 569
71R1480	265, 279, 570
71R1485	231, 241, 265, 279, 570
71R1510	187, 570
71R1520	570
71R1610	128, 158, 170, 187, 567
71R1620	158, 170, 173, 567
71R1652	157, 172, 565
71R1654	565
71R1702	116, 128, 157, 172, 186, 202, 212, 267, 279, 568
71R1704	157, 186, 212, 568
71R1722	116, 128, 186, 193, 202, 212, 568
71R1802	157, 568
71R1900	567
71R1902	69, 91, 568
71R1904	68, 69, 91, 568
71R1910	568
71R1912	68, 568
71R1914	568
71R2100	145, 174, 230, 257, 260, 264, 301, 592
71R2200	203, 592, 594
71R2250	64-67, 69, 145, 174, 213, 221, 226, 230, 241, 242, 248, 249, 257, 260, 264, 271, 280, 305, 307, 592
71R2300	145, 159, 174, 221, 226, 230, 241, 248, 257, 260, 264, 271, 280, 293, 294, 296, 307, 592
71R2305	203, 230, 260, 592
71R2310	226, 242, 264, 271, 592, 593
71R2400	592, 593
71R2600	308, 592, 593
71R2700	129, 145, 174, 213, 241, 264, 301, 592, 593
71R2800	145, 174, 592, 593

71R3100	65, 66, 145, 159, 174, 188, 221, 230, 241, 248, 260, 288, 592, 594
71R3125	241, 592, 594
71R3150	64, 129, 145, 241, 242, 300, 303, 592, 594
71R3155	203, 592, 594
71R3160	159, 188, 193, 592, 594
71R3200	64, 66, 68, 69, 145, 159, 174, 188, 213, 217, 241, 242, 244, 257, 280, 284, 291, 300, 303, 310, 592, 594
71R3220	203, 310, 592, 594
71R3300	145, 592, 594
71R3502	128, 173, 461
71R3504	173, 461
71R3540	241
71R3570	562
71R3571	102, 115
71R3572	562
71R3575	175, 562
71R3576	562
71R3578	562
71R3579	562
71R3580	130, 562
71R3581	130, 562
71R3582	130, 562
71R3585	145, 562
71R3591	130
71R4010	566
71R4011	566
71R4020	566, 616
71R4030	566, 575
71R4035	566
71R4040	67, 68, 77, 566, 616
71R4050	72, 566, 573
71R4060	566
71R4063	566, 615
71R4065	566
71R4105	566
71R4501	170, 201, 583
71R4511	192, 582
71R5212	18, 20, 458, 459
71R5600	14, 18, 20, 24, 44, 458, 459
71R5605	14, 18, 20, 24, 44, 458, 459
71R6020	141, 576, 577
71R6030	576, 577
71R6040	170, 185, 576, 577
71R6045	576, 577
71R6050	126, 170, 185, 228, 247, 581
71R6055	276, 576, 577
71R6060	156, 576, 577
71R6070	156, 170, 228, 247, 263, 295, 576, 577
71R6080	126, 185, 576, 577
71R6090	576, 577
71R6093	191, 576, 577
71R6095	191, 559, 576, 577

71R6100	185, 191, 576, 577
71R6110	141, 185, 576, 578
71R6115	576, 578
71R6120	576, 578
71R6125	170, 581
71R6130	576, 578
71R6135	244, 576, 578
71R6140	576, 578
71R6145	576, 578
71R6150	69, 239, 276, 581
71R6155	126, 191, 578
71R6157	187, 578
71R6160	185, 576, 578
71R6170	185, 576, 578
71R6175	578
71R6180	156, 185, 576, 579
71R6181	141, 576, 579
71R6183	141, 576, 579
71R6185	576, 579
71R6210	126, 276, 306, 576, 579
71R6220	126, 576, 579
71R6230	228, 263, 576, 579
71R6235	141, 579
71R6245	576, 579
71R6255	576, 579
71R6257	576, 579
71R6259	144, 573
71R6260	141, 579
71R6261	144, 573
71R6265	141, 581
71R6266	144, 581
71R6267	126, 581
71R6270	141, 580
71R6275	580
71R6280	193, 580
71R6300	581
71R6400	126, 156, 201, 587, 588
71R6402	587, 588
71R6405	126, 141, 156, 587, 588
71R6408	587, 588
71R6410	587, 588
71R6414	587, 588
71R6415	587, 588
71R6416	170, 587, 588
71R6418	587, 588
71R6420	587, 588
71R6422	587, 588
71R6424	201, 587, 588
71R6426	587, 589
71R6430	591
71R6434	587, 589
71R6438	587, 589
71R6442	201, 587, 589
71R6444	587-589
71R6445	587, 589
71R6448	590
71R6450	201, 587, 589

71R6451	591
71R6452	591
71R6454	591
71R6456	590
71R6458	590
71R6460	590
71R6463	590
71R6470	587, 589
71R6475	587, 589
71R6480	590
71R6500	590
71R6560	584
71R6561	584
71R6563	584
71R6565	156, 170, 201, 584
71R6566	201, 584
71R6571	201, 584, 585
71R6573	201, 584, 585
71R6576	201, 584, 585
71R6578	201, 584, 585
71R6580	586
71R6582	141, 588, 589
71R6584	141, 588, 589
71R6600	586
71R7000	170, 201, 582
71R7050	170, 192, 239, 244, 276, 283, 582
71R7073	156, 581
71R7075	68, 91, 239, 276, 288, 299, 581
71R7077	126, 581
71R7500	126, 141, 156, 170, 185, 201, 211, 291, 583
71R7550	126, 141, 170, 185, 201, 295, 583
71R7600	156, 201, 583
71R7650	185, 201, 211, 295, 583
71R8050	138, 155, 210, 220, 237, 247, 254, 255, 263, 274, 311, 472
71R8060	220, 238, 255, 274, 306, 472
71R8080	138, 168, 216, 220, 227, 237, 247, 254, 274, 294, 308, 472
71R8090	186, 472
71R8100	102, 155, 168, 200, 210, 216, 220, 227, 237, 247, 254, 255, 263, 274, 294, 301, 306, 472
71R8210	227, 238, 247, 255, 274, 295, 306, 472
71R8220	200, 210, 220, 227, 238, 247, 255, 274, 295, 472
71R8300	64
71R8301	64-68, 102, 115, 123, 138, 155, 168, 183, 192, 200, 210, 216, 219, 226, 236, 237, 246, 249, 254, 272, 273, 283, 287, 294, 298, 302, 305, 473, 474
71R8310	69, 473, 474
71R8321	67, 123, 168, 183, 200, 210, 216, 219, 226, 236, 246, 254, 262, 272, 273, 290, 294, 298, 309, 473, 474
71R8350	123, 473, 474

RED DOT PART NUMBER INDEX

71R8370	123, 473, 474
71R8380	69, 124, 226, 273, 473, 474
71R8385	123, 168, 473, 474
71R8400	102, 254, 473, 474
71R8405	138, 186, 236, 473, 475
71R8415	138, 473, 475
71R8420	155, 183, 200, 473, 475
71R8423	272, 473, 475
71R8425	473
71R8430	155, 183, 473, 475
71R8440	186, 200, 473, 475
71R8450	155, 473, 475
71R8451	123, 124, 473, 475
71R8453	123, 473, 475
71R8455	123, 473, 475, 543
71R8457	123, 473, 475
71R8460	473, 476
71R8461	155, 473, 476
71R8465	138, 474, 476
71R8467	138, 168, 474, 476
71R8469	123, 474, 476
71R8475	124, 476
71R8477	123, 476
71R8481	138, 474, 476
71R8489	130
71R8499	478
71R8500	115, 140, 275, 310, 478
71R8501	115, 478
71R8503	478
71R8504	184, 298, 303, 478
71R8505	184, 190, 216, 478
71R8506	238, 275, 478
71R8507	140, 478
71R8510	479
71R8991	478
71R9002	128, 144, 158, 172, 187, 479
71R9004	20, 479
72R0050	172, 185, 563
72R0070	185, 563
72R0100	563
72R0190	187, 563
72R0200	563
72R0210	563
72R0220	128, 563
72R0240	158, 172, 187, 563
72R0260	187, 563
72R0500	563
72R0600	187, 563
72R0610	128, 563
72R1100	117, 161, 564
72R1200	161, 175, 564
72R1210	161, 175, 564
72R1300	161, 175, 564
72R1310	175, 564
72R1502	158, 172, 564
72R1504	564
72R2000	537
72R2100	537
72R2105	537
72R2110	537
72R2120	537
72R2130	537
72R2140	537
72R2150	537
72R2200	537
72R2250	537
72R2255	537
72R2300	537
72R2350	537
72R2351	537
72R2500	537
72R2600	537
72R2605	537
72R3000	537
72R3010	537
72R3020	537
72R3050	537
72R3100	537
72R3110	538
72R3111	538
72R3120	66, 67, 538
72R3130	68, 538
72R3135	64, 68, 538
72R3140	538
72R3149	538
72R3150	538
72R3151	538
72R3155	538
72R3157	71, 538
72R3200	538
72R3510	538
72R3530	538
72R3550	76, 538
72R3601	73, 538
72R3603	73, 538
72R4010	538
72R4400	538
72R4500	538
72R4510	538
72R4530	539
72R4531	62, 100, 491, 492, 539
72R4532	71, 539
72R4533	539
72R4534	539
72R4535	539
72R4538	539
72R5040	160, 174, 213, 611
72R5050	116, 145, 160, 174, 243, 300, 611
72R5055	310, 611
72R5060	160, 303, 611
72R5070	611
72R5080	174, 611
72R5110	160, 611
72R5200	160, 188, 612
72R5203	243, 612
72R5204	243, 612
72R5210	174, 213, 612
72R5220	66, 68, 613
72R5230	65, 613
72R5240	77, 613
72R5250	65, 613
72R5260	160, 612
72R5270	188, 612
72R5280	613
72R5285	69, 280, 612
72R5350	280, 285, 612
72R5355	613
72R5360	612
72R5500	145, 611
72R5600	611
72R6400	160, 174, 614
72R6401	174, 614
72R6410	160, 614
72R6420	174, 188, 614
72R6425	614
72R6515	129, 613
72R6520	129, 188, 613
72R6525	243, 613
72R6530	188, 613
72R6535	243, 613
72R6540	102, 113, 613
72R6547	243, 280, 613
72R6554	291
72R6562	280
72R7000	566
72R7100	566, 615
72R7105	615
72R7280	616
72R7290	616
72R7600	616
72R7700	616
72R8190	616
72R8200	616
72R8250	616
72R8255	616
72R8260	616
72R8265	616
72R8270	616
72R8275	616
72R8280	616
72R8300	616
72R8315	616
72R8360	616
72R8400	616
72R8410	616
72R9000	616
72R9005	68, 616
72R9010	533
72R9020	533
72R9030	533
72R9040	533
72R9045	533
73R0012	103, 113, 266, 312, 314
73R0032	77, 103, 312, 314
73R0034	77, 103, 266, 313, 314
73R0042	176, 312, 314
73R0062	312, 314
73R0082	103, 312, 314
73R0092	132, 204, 218, 222, 261, 312, 314
73R0102	218, 222, 250, 258, 312, 314
73R0104	77, 313, 314
73R0142	103, 113, 312, 314
73R0152	312, 315
73R0202	161, 204, 312, 315
73R0204	313, 315
73R0212	147, 218, 266, 312, 315
73R0322	103, 113, 161, 194, 312, 315
73R0332	103, 147, 176, 313, 315
73R0352	313, 315
73R0364	222, 231, 232, 313, 315
73R0372	266
73R0402	132, 147, 161, 194, 204, 313, 315
73R0404	20, 103, 249, 266, 280, 281, 286, 313, 315
73R0414	113
73R0422	161, 176, 194, 204, 214, 245, 261, 292, 312, 316
73R0432	161, 204, 312, 316
73R0442	161, 176, 194, 204, 218, 245, 266, 312, 316
73R0454	147, 313, 316
73R0462	161, 194, 204, 312, 313, 316
73R0512	161, 266, 286, 313, 316
73R0514	266, 286, 313, 316
73R0522	218, 313, 316
73R0532	214, 222, 245, 261, 266, 313, 316
73R0542	194, 304, 313, 317
73R0544	91, 313, 317
73R0552	113, 147, 312, 317
73R0554	313, 317
73R0562	312, 317
73R0572	132, 312, 317
73R0602	161, 204, 292, 312, 317
73R0604	313, 317
73R0612	147, 176, 313, 317
73R0622	161, 313, 317
73R0642	104, 113, 312, 318
73R0652	312, 318
73R0654	104, 113, 313, 318
73R0662	313, 318
73R0702	312, 318
73R0912	147, 161, 258, 266, 312, 318
73R0922	161, 204, 313, 318
73R0962	161, 204, 312, 318

73R0982	117, 313, 318
73R0984	313, 318
73R0992	312
73R1002	204, 312, 319
73R1052	312, 319
73R1064	104, 108, 113, 313, 319, 339
73R2102	132, 194, 312, 319
73R2112	313, 319
73R2132	312, 319
73R2142	189, 312, 319
73R2152	313, 319
73R2162	312, 319
73R2212	312, 320
73R2222	313, 320
73R2242	313, 320
73R2262	161, 312, 320
73R3002	117, 194, 312, 320
73R3022	312, 320
73R3032	194, 313, 320
73R3052	117, 194, 312, 320
73R3062	117, 312, 321
73R3072	117, 189, 321
73R3082	312, 321
73R3102	161, 312, 321
73R3112	132, 321
73R3122	117, 321
73R3132	132, 194, 321
73R3142	147, 176, 322
73R3162	132, 322
73R4062	161, 194, 323
73R4064	323
73R4102	232, 302, 323
73R4122	132, 323
73R4162	266, 323, 324
73R4182	105, 113, 132, 147, 176, 194, 218, 304, 323, 324
73R4202	323, 324
73R4204	323, 324
73R4242	105, 113, 266, 323, 324
73R4252	161, 266, 323, 324
73R4254	323, 324
73R4262	214, 323, 324
73R4264	65, 286, 323, 324
73R4274	231, 323, 324
73R4312	105, 194, 323, 325
73R4322	105, 147, 194, 214, 222, 231, 245, 292, 304, 323, 325
73R4422	105, 113, 176, 323, 325
73R4424	105, 113, 266, 323, 325
73R4504	323, 325
73R4532	105, 113, 194, 323, 325
73R4602	323, 325
73R5502	67, 244, 330
73R5504	67, 330
73R5512	330, 331
73R5514	330, 331
73R5522	77, 330, 331
73R5524	330, 331, 333

73R5532	64, 65, 67, 77, 161, 192, 231, 309, 330, 331, 333
73R5534	64, 65, 67, 77, 297, 330, 331, 333
73R5552	69, 231, 266, 330, 331, 333
73R5554	69, 289, 330, 331, 333
73R5562	330, 332
73R5572	66, 330, 332
73R5574	330, 332
73R5622	64, 309, 330, 332, 333
73R5624	297, 302, 330, 332, 333
73R5632	266, 330, 332
73R5634	266, 330, 332
73R5642	231, 297, 309, 330, 332
73R5652	194, 333
73R5772	114
73R6051	148, 163, 177, 195, 205, 336
73R6101	205, 336
73R6151	148, 163, 195, 336, 337
73R6230	148, 163, 205, 336, 337
73R6251	77, 148, 163, 195, 205, 336, 337
73R6253	139, 195, 336, 337
73R6270	336, 337
73R6300	65, 268, 286, 336, 337
73R6350	65, 286, 336, 337
73R6370	108, 113, 148, 177, 205, 336, 337
73R6381	163, 336, 337
73R6383	177, 336, 337
73R7000	148, 163, 177, 195, 268, 336, 338
73R7071	163, 195, 336, 338
73R7101	148, 163, 336, 338
73R7110	336, 338
73R7120	336, 338
73R7130	108, 113, 148, 177, 195, 215, 336, 338
73R7135	148, 336, 338
73R7151	65, 163, 177, 336, 338
73R7200	336, 339
73R7201	108, 336, 339
73R7202	108, 113, 336, 339
73R7210	336, 339
73R7215	139, 336, 338
73R7220	108, 114, 339
73R8050	77, 107, 113, 210, 265, 335
73R8081	265, 335
73R8100	65, 67, 91, 200, 335
73R8110	91, 335
73R8320	335
73R8554	326
73R8562	265, 326
73R8564	326, 327
73R8582	326, 327
73R8584	326, 327
73R8592	326, 327
73R8594	95, 326, 327, 456

73R8612	91, 326, 327
73R8614	91, 326, 327
73R8624	326, 328
73R8642	65, 69, 265, 326, 328
73R8644	65, 69, 326, 328
73R8652	326, 328
73R8654	96, 297, 326, 328, 457
73R8664	107
73R8674	107, 326, 328
73R8702	107, 326, 328
73R8712	114, 328
73R8722	114, 329
73R9052	106, 334
73R9054	334
73R9062	106, 113, 168, 184, 200, 334
73R9064	106, 113, 184, 334
73R9072	334
73R9082	106, 113, 334
73R9202	50, 56, 60, 62, 100, 492
73R9204	50, 56, 60, 62, 100, 492
74R0401	217, 220, 248, 277, 278, 549, 550
74R0450	116, 300, 548, 550
74R0455	548, 550
74R0462	68, 91, 239, 277, 288, 306, 548, 550
74R0470	239, 310, 548, 550
74R0475	114, 551
74R0480	109, 550
74R0485	109, 550
74R0495	550
74R0907	127, 171, 220, 228, 248, 256, 260, 295, 306, 548, 551
74R1106	239, 296, 301, 548, 551
74R1427	171, 202, 256, 296, 548, 551
74R1706	171, 291, 548, 551
74R1756	171, 202, 548, 551
74R1806	217, 248, 548, 551
74R1826	239, 277, 284, 548, 551
74R1836	171, 212, 548, 551
74R1846	548, 551
74R1856	171, 212, 548, 551
74R1866	91, 548, 552
74R1906	171, 212, 295, 548, 552
74R1956	171, 212, 548, 552
74R2002	157, 186, 549, 552
74R2006	186, 549, 552
74R2016	186, 549, 552
74R2026	549, 552
74R2106	127, 202, 220, 228, 229, 248, 256, 260, 295, 311, 548, 552
74R2306	256, 277, 306, 549, 552
74R2406	228
74R2447	65, 68, 171, 239, 244, 278, 553
74R2527	248, 295, 306, 552
74R2536	50, 548

74R2537	171, 220, 228, 248, 256, 260, 278, 295, 552
74R2546	30, 56, 60, 62
74R2547	548
74R2586	193, 548, 553
74R2590	60, 65, 69, 91, 278, 548, 553
74R2596	171, 548, 553
74R2608	217, 248, 256, 296, 306, 548, 553
74R2616	248, 553
74R2667	256
74R2677	212, 239, 548, 553
74R2706	142, 186, 548, 553
74R2716	558, 559
74R3077	64, 171, 549, 554
74R3107	171, 202, 217, 229, 296, 548, 554
74R3126	127, 554
74R3129	127, 549, 554
74R3137	212, 549, 554
74R3140	256
74R3148	548, 554
74R3157	186, 248, 256, 548, 554
74R3309	142, 549, 554
74R3317	127, 549, 555
74R3323	127, 142, 549, 555
74R3324	549, 555
74R3325	549, 555
74R3328	127, 549, 555
74R3331	127, 239, 549, 555
74R3336	256
74R3347	171, 202, 249, 548, 555
74R3357	157, 549, 555
74R3377	212, 549, 555
74R3450	142, 549, 555
74R3456	142, 549, 555
74R3517	239, 240, 308, 549, 556
74R3527	239, 240, 549, 556
74R3537	256, 295, 549, 556
74R4017	217, 220, 228, 229, 260, 264, 277, 306, 549, 556
74R4027	228, 229, 256, 260, 264, 277, 549, 556
74R4028	127, 556
74R4116	549, 556
74R4208	193, 556
74R4215	127, 549, 556
74R4216	557
74R4217	557
74R4218	127, 557
74R4219	157, 186
74R5050	279, 558, 559, 561
74R5061	175, 240, 279, 558, 559
74R5062	146, 175, 559
74R5076	558, 560
74R5088	130, 142, 558, 560
74R5090	130, 142, 560

RED DOT PART NUMBER INDEX

74R5093	558, 559	75R1652	118, 164, 196, 206, 347, 349	75R5768	416, 417	75R81152	189, 387, 400
74R5095	189, 558, 560	75R1832	196, 344, 346, 388	75R5801	415-417	75R81162	189, 387, 400
74R5097	130, 558, 560	75R1842	177, 196, 344, 346, 387, 388, 394	75R5806	415	75R81172	189, 387, 400
74R5401	130, 560	75R1852	196, 344, 346, 387, 391, 392, 394	75R5808	415-417	75R81184	234, 387, 400
74R5405	130, 560	75R1862	344, 346, 380, 392, 394	75R5813	415	75R81184Q	362, 368
74R5600	558, 561	75R4502	118, 133, 149, 164, 196, 206, 215, 218, 223, 233, 245, 250, 258, 261, 262, 268, 287, 292, 301, 304, 347, 349	75R5814	415	75R81192	189, 252, 387, 400
74R7210	193, 558	75R4534	118, 133, 347, 349	75R5815	415	75R81202	189, 387, 400
74R7220	558	75R4702	340	75R5819	415	75R81212	119, 387, 400
74R8006	558, 561	75R4732	340	75R5820	415	75R81232	119, 120, 387, 400
75R0032	118, 344, 392	75R4734	347, 349	75R5824	415	75R81232Q	374
75R0042	344	75R4742	340	75R5825	415	75R81252	189, 387, 400
75R0052	149, 177, 344, 345, 388	75R4762	340	75R5832	415	75R81262	119, 387, 401
75R0062	341, 362	75R4782	341, 343, 364	75R5833	415	75R81274	234, 387, 401
75R0072	341, 364	75R4792	341, 343, 364	75R5834	415	75R81292Q	134, 362, 374
75R0082	268, 341, 364, 366	75R4802	132, 344, 346, 387, 391	75R5842	415	75R81302	119, 120, 387, 401
75R0092	341, 364	75R4812	347, 349	75R5852	415	75R81302Q	362, 368
75R0172	118, 164, 341, 342	75R5200	414	75R5858	415	75R81352	119, 134, 387, 401
75R0182	118, 133, 149, 164, 177, 196, 206, 341, 342, 362	75R5201	414	75R58785	415	75R81362	164, 197, 387, 401
75R0192	149, 177, 196, 344, 345, 380, 392, 394, 396	75R5520	414, 540	75R6000	418	75R81372	164, 197, 387, 401
75R0194	149, 344, 345, 392	75R5525	414, 540	75R6010	418	75R81372Q	362, 368
75R0202	118, 133, 149, 164, 177, 196, 206, 215, 223, 233, 245, 250, 251, 258, 261, 268, 287, 292, 304, 344, 345, 391	75R5530	540	75R6015	418	75R81382	119, 387, 401
75R0204	177, 268, 281, 344, 345, 391	75R5535	540	75R6016	418	75R81392	189, 387, 401
75R0252	177, 341, 342, 364	75R5540	414	75R6017	418	75R81402	234, 388, 401
75R0262	149, 177, 206, 268, 341, 342, 362	75R5555	414, 504, 595	75R6018	418	75R81412	388, 401
75R0274	289, 341, 342, 362, 364	75R5556	414, 504, 595	75R6020	418	75R81452	134, 151, 179, 207, 388, 401
75R0302	118, 132, 149, 347	75R5560	414	75R6030	418	75R81462	119, 224, 225, 252, 388, 401
75R0402	133, 233, 347	75R5565	414	75R6040	418	75R81472Q	134, 151, 197, 362, 368
75R0422	196, 223, 233, 347	75R5570	414	75R6041	418	75R81482	151, 179, 197, 224, 252, 388, 402
75R0452	118, 132, 164, 196, 218, 245, 250, 251, 258, 261, 262, 268, 287, 292, 301, 304, 347	75R5575	414	75R6500	419	75R81492	234, 388, 402
75R0502	118, 132, 149, 177, 347, 348, 413	75R5580	540	75R6510	419	75R81502	134, 151, 179, 207, 388, 402
75R0512	118, 132, 149, 177, 347, 348	75R5611	38	75R6530	419	75R81512	119, 151, 179, 388, 402
75R0522	118, 132, 149, 177, 347, 348	75R5618	38	75R6540	419	75R81532	197, 388, 402
75R0612	118, 133, 149, 347, 348	75R5641	416	75R6545	419	75R81552	119, 388, 402
75R0662	118, 133, 149, 347, 348	75R5648	416	75R6550	419	75R81562	151, 179, 388, 402
75R0682	118, 132, 149, 177, 347, 348, 413	75R5651	416	75R7280	120, 134, 151, 164, 180, 197, 207, 413, 420, 422-425	75R81572	197, 388, 402
75R1202	38, 118, 132, 149, 164, 177, 196, 218, 233, 250, 251, 268, 287, 347, 348, 413, 420, 422-425	75R5658	416	75R7285	413	75R81582	388, 402
75R1212	341, 342, 364, 366	75R5661	416	75R7290	120, 134, 151, 164, 180, 189, 197, 207, 251, 413	75R81612	119, 388, 402
75R1302	118, 149, 177, 206, 347, 348, 413	75R5668	416	75R7295	219, 223, 413	75R81622	164, 388, 402
75R1342	132, 347, 349	75R5671	416	75R7300	120, 413	75R81622Q	362, 368
75R1412	341, 342, 362, 364	75R5672	416	75R7312	151, 180, 207, 413	75R81632	151, 179, 388, 402
75R1414	341, 342, 364	75R5678	416	75R7322	151, 179, 207, 413	75R81632Q	180, 362, 368
75R1432	344, 345, 387	75R5681	38, 416, 417, 420, 422-425	75R7332	120, 151, 179, 207, 413	75R81642Q	151, 179, 362, 368
75R1512	344	75R5688	38, 416, 417, 420, 422-425	75R7342	413	75R81652	164, 197, 388, 403
75R1532	118, 149, 177, 196, 344, 345, 394	75R5691	416, 417	75R7352	413	75R81652Q	362, 368
75R1542	223, 245, 250, 258, 268, 287, 304, 344, 345, 391	75R5698	416, 417	75R75201	503	75R81662	151, 179, 388, 403
		75R5700	414	75R75202	503, 506, 507	75R81662Q	362, 368
		75R5705	414	75R75208	503, 506, 507	75R81672	197, 388, 403
		75R5718	415-417	75R75212	503, 506, 507	75R81682	197, 388, 403
		75R5721	416, 417	75R75218	503, 506, 507	75R81692	197, 388, 403
		75R5722	416, 417	75R75222	503	75R81732	197, 388, 403
		75R5728	416, 417	75R75228	503, 506, 507	75R81762	197, 391, 403
		75R5731	416, 417	75R8102	115, 134, 219, 223, 233, 246, 258, 269, 293, 353	75R8184	293, 353
		75R5738	416, 417	75R81104	224, 259, 387, 400	75R82102	391, 403
		75R5761	416, 417	75R81114	234, 387, 400	75R82132	391, 403
				75R81134	234, 387, 400		

75R8214	224
75R82142	297, 391, 403
75R8222	224
75R82312	391, 403
75R82312Q	362
75R8232	224
75R8252	305
75R8262	224
75R8292	224
75R83112	115, 164, 391, 403
75R83132	391, 404
75R83152	391, 404
75R8332	252, 391, 404
75R8354	270, 282, 391, 404, 423
75R8354Q	362
75R8372	391, 404, 420, 422-425
75R8374	391, 404, 420, 422-425
75R8374Q	362, 368
75R8382	43, 120, 134, 151, 164, 179, 197, 219, 224, 234, 246, 252, 259, 270, 305, 391, 404, 420, 423-425
75R8382Q	180, 362, 368
75R8384	219, 224, 234, 246, 252, 259, 270, 282, 305, 391, 404, 420, 423, 424
75R84112	224, 225, 252, 259, 391, 404
75R84114	224, 225, 259, 391, 404
75R84132	391, 404
75R84152	119, 179, 391, 404
75R84162	119, 179
75R84172	119, 391, 405
75R84182	119, 391, 405
75R84192	119, 392, 405
75R84212	119, 392, 405
75R8422	151, 164, 197, 207, 392, 405, 420-425
75R84232	119, 189, 392, 405
75R8424	287, 392, 405, 420-425
75R84252	405
75R84292	151, 179, 392, 405
75R84302Q	134, 362, 368
75R84312	151, 179, 392, 405
75R8432	120, 151, 164, 180, 197, 207, 208, 392, 405
75R84352	189, 392, 405
75R84362	197, 392, 406
75R84382	164, 197, 392, 406
75R8442	392, 406
75R84452	197, 392, 406
75R84472	207, 392, 406
75R84482	197, 392, 406
75R84492	392, 406
75R84512	392, 406
75R84522	252, 392, 406
75R84532	119, 252, 392, 406
75R8454	392, 406
75R84552	252, 293, 394, 406
75R84562	394, 407

75R84572	252, 394, 407
75R84592	224, 234, 252, 259, 394, 407
75R84594	234, 394, 407
75R84612Q	362, 369
75R8462	197, 224, 309, 394, 407
75R84622	134, 164, 394, 407
75R84632	119, 394, 407
75R8464	394, 407
75R84662	394, 407
75R8502Q	119, 151, 197, 362, 369
75R85032Q	270, 362, 369
75R8505	271, 360
75R8507	271, 360
75R8510	360
75R85102Q	362, 369
75R85112Q	362, 369
75R8512Q	119, 134, 151, 164, 179, 197, 207, 362, 369
75R85132Q	362, 369
75R8515	360
75R8520	360
75R8522Q	151, 164, 362, 369
75R8532Q	120, 134, 151, 164, 180, 197, 207, 362, 369
75R85332Q	362, 369
75R8542Q	362, 369
75R8544Q	362, 369
75R8552Q	120, 134, 164, 180, 197, 207, 362, 370
75R85632Q	362, 370
75R85642Q	370
75R85714Q	364, 370
75R85732Q	364, 370
75R85734Q	364, 370
75R85832Q	364, 370
75R85932Q	364, 370
75R86092Q	364, 370
75R8612	36, 38
75R8612Q	120, 134, 151, 164, 180, 197, 207, 364, 370
75R86132Q	192, 270, 364, 370
75R86134Q	364, 370
75R86142Q	226, 235, 270, 364, 371
75R86144Q	364, 371
75R8614Q	289, 364, 371
75R861522Q	364, 371
75R86152Q	364, 371
75R86162Q	364, 371
75R86172Q	364, 371
75R86182Q	364, 371
75R86194Q	364, 371
75R86202Q	364, 371
75R86212Q	364, 371
75R86222Q	364, 371
75R86232Q	364, 372
75R86322Q	364, 372
75R86324Q	364, 372

75R8632Q	120, 134, 151, 164, 180, 197, 207, 364, 372
75R86332Q	364, 372
75R8634Q	364, 372
75R8644Q	364, 372
75R8672Q	364, 372
75R8682Q	364, 372
75R8702Q	366, 372
75R8704Q	366, 372
75R8712Q	366, 373
75R8772	151, 179, 394, 408
75R8772Q	366, 373
75R8782Q	366, 373
75R8784Q	366, 373
75R8802Q	366, 373
75R8814Q	366, 373
75R8822Q	366, 373
75R8920	271, 354
75R8921	271, 354
75R89292	120, 134
75R89302	379, 380, 394, 408
75R89305	378-380
75R89310	120, 134, 378-380
75R89312	379, 380, 394, 408
75R89315	378-380
75R89320	378-380
75R89325	378-380
75R89327	378, 380
75R89332	379
75R89334	379, 380, 394, 408
75R89344	379
75R89352	379, 380, 394, 408
75R89354	379, 380, 394, 408
75R89372	379, 380, 394, 408
75R89374	297, 379, 380, 394, 408
75R89382	379, 396, 408
75R89384	379, 396
75R89392	379, 380, 396, 408
75R89394	379, 396, 408
75R89412	379, 409
75R89414	379
75R89422	379, 380, 396, 409
75R89424	379, 380, 396, 409
75R89432	380, 396, 409
75R89462	379, 380, 396, 409
75R89474	379, 380, 396, 409
75R89484	379, 380, 396, 409
75R89492	179, 396, 409
75R89492Q	366, 373
75R89502	396, 409
75R89522	396, 409
75R89532	151, 396, 409
75R89552Q	179
75R89562Q	151, 179
75R89572	396, 410
75R89582Q	151, 179, 366, 374
75R89592Q	366, 374

75R89602	396, 410
75R89602Q	366, 374
75R89612	396, 410
75R89622Q	374
75R89624Q	366
75R89632Q	366
75R89652	151, 179, 396, 410
75R89662	151, 398, 410
75R89672	398, 410
75R89692	398, 410
75R89722	398, 410
75R89732	398, 410
75R89742	398, 410
75R89744	398, 410
75R89752	134, 410
75R89762	134, 411
75R89792	411
75R89802Q	366, 374
75R89812Q	366, 375
75R9000	420
75R9004	354, 355
75R9014	354, 355
75R9024	354, 355
75R9034	354, 355
75R9044	354, 355
75R9052	354, 355
75R9060	420, 422-425
75R9062	354, 355
75R9072	120, 208, 354, 355
75R9082	120, 208, 354, 355
75R9092	354, 355
75R9400	423
75R9405	101, 423
75R9410	101, 423
75R9500	43, 424
75R9515	424
75R9530	36, 38, 423
75R9535	421
75R9540	36, 38, 423
75R9545	420
75R9550	423
75R9565	421, 422
75R9585	423
75R9595	424
75R9612	164, 411
75R9615	421
75R9622	411
75R9625	420
75R9635	421
75R9645	423
75R9670	420, 423-425
75R9710	101, 423
75R9715	101, 423
75R9780	420
75R9785	420
75R9795	420
75R9805	101, 423, 424

RED DOT PART NUMBER INDEX

75R9810	421
75R9815	421, 422
75R9820	422
75R9835	420, 422-425
75R9840	421
75R9845	424
75R9860	424
75R9870	420, 422-425
75R9875	424
75R9890	420
75R9895	420
75R9970	421
75R9973	421, 422
75R9980	36, 38, 423
75R9985	36, 38, 423
76R0500	77, 522, 523
76R1000	67, 522, 523
76R1030	522, 523
76R1100	522, 523
76R1110	522, 524
76R1120	522, 524
76R1400	522, 524
76R1410	522, 524
76R1450	522, 524
76R1510	522, 524
76R1550	110, 113, 522, 524
76R1560	69, 522, 524
76R1600	522, 525
76R1710	522, 525
76R1860	68, 522, 525
76R1870	69, 522, 525
76R1900	169, 522, 525
76R2010	522, 525
76R2155	523, 525
76R2210	169, 523, 525
76R2300	169, 522, 526
76R2320	522, 526
76R2330	522, 526
76R2340	522, 526
76R2350	522, 526
76R2360	522, 526
76R2400	169, 211, 522, 526
76R2410	169, 523, 526
76R2420	211, 523, 527
76R2450	64, 169, 211, 522, 527
76R2500	211, 522, 527
76R2550	523, 527
76R2600	169, 522, 527
76R2730	522, 527
76R3000	522, 527
76R3250	522, 528
76R3300	169, 522, 528
76R3400	522, 528
76R3420	290, 522, 528
76R3450	522, 528
76R3455	275, 523, 528
76R3460	184, 522, 528

76R3465	66, 523, 528
76R3470	523, 529
76R3475	139, 523, 529
76R3495	184, 522, 529
76R3500	64, 65, 523, 529
76R3900	523, 529
76R3905	110, 113, 523, 529
76R3910	523, 529
76R3920	523, 529
76R3930	169, 523, 530
76R3940	110, 113, 523, 530
76R3943	110, 523, 530
76R3950	110, 113, 523, 530
76R4000	523, 530
76R4020	64, 523, 530
76R4023	211, 523, 530
76R4100	299, 303, 522, 530
76R4200	275, 522, 531
76R4300	216, 523, 531
76R4305	216, 523, 531
76R4900	67, 462, 463
76R4920	68, 302, 462, 463
76R5000	154, 167, 462, 463
76R5030	462, 463
76R5200	64, 462, 464
76R5300	66, 462, 464
76R5320	462, 464
76R5500	65, 462, 464
76R5520	462, 464
76R5600	462, 464
76R5700	69, 462, 464
76R5711	522
76R5716	462
76R5820	69, 272, 462, 465
76R6015	68, 462, 465
76R6020	139, 522, 531
76R6040	67, 183, 463, 465
76R6070	462, 465
76R6120	123, 462, 465
76R6130	167, 209, 462, 465
76R6140	64
76R6150	123, 183, 209, 462, 465
76R6160	462, 465
76R6180	167, 462, 466
76R6310	209, 462, 466
76R6350	462, 466
76R6420	462, 466
76R6440	462, 466
76R6500	466
76R6550	272, 462, 466
76R6650	290, 462, 467
76R6655	272, 463, 467
76R6668	463, 467
76R6700	167, 462, 467
76R6850	183, 462, 467
76R6950	167, 199, 462, 467
76R6960	154, 183, 462, 467

76R7010	183, 462, 467
76R7020	462, 468
76R7030	272, 462, 468
76R7070	64, 65, 462, 468
76R7100	67, 462, 468
76R7450	298, 302, 462, 468
76R7505	463, 468
76R7507	462, 468
76R7510	167, 463, 468
76R7515	463, 469
76R7520	463, 469
76R7530	209, 463, 469
76R7535	209, 463, 469
76R7550	463, 469
76R7560	462, 469
76R7570	463, 469
76R7580	272, 463, 470
76R7700	463, 470
76R7710	463, 470
76R7712	137, 463, 470
76R7715	272, 462, 470
76R7720	215, 463, 470
76R7725	244, 462, 470
76R7730	183, 298, 309
76R7735	123, 462, 470
76R7740	462
76R7750	463, 471
77R0090	302, 427, 431
77R0095	136, 427, 431
77R0100	236
77R0110	236, 427, 431
77R0115	136, 427, 431
77R0250	93, 166, 454
77R0260	93, 427, 431, 454
77R0350	67, 427, 431
77R0355	136, 427, 432
77R0500	164, 427, 432
77R0530	93, 454
77R0560	166, 428, 432
77R0570	43, 166, 271, 428, 432
77R0580	182, 428, 432
77R0585	166, 199, 428, 433
77R0620	65, 91, 236, 427, 433
77R0630	427, 433
77R0635	136, 427, 433
77R0650	10, 12, 32, 34, 39, 40, 96, 122, 199, 236, 427, 433, 457
77R0660	68, 427, 433
77R0665	182, 429, 434
77R0670	427, 434
77R0675	136, 427, 434
77R0700	24, 26, 28, 62, 428, 434
77R0705	182, 429, 434
77R0710	182, 428, 434
77R0715	136, 427, 435
77R0720	427, 435
77R0800	91, 428, 435

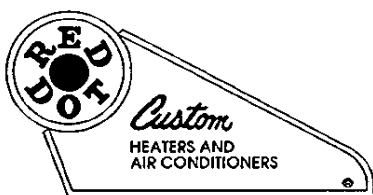
77R0900	427, 435
77R0950	96, 209, 428, 435, 457
77R0990	429, 435
77R1100	96, 428, 436, 457
77R1105	166, 429, 436
77R1275	298, 427, 436
77R1277	122, 190, 209, 436
77R1279	122, 436
77R1280	427, 436
77R1285	298, 427, 437
77R1290	69, 94, 95, 236, 427, 437, 455, 456
77R1295	427, 437
77R1300	43, 95, 290, 427, 437, 456
77R1310	428, 438
77R1320	427, 438
77R1330	428, 438
77R1335	182, 429, 438
77R1401	428, 438
77R1403	428, 439
77R1405	428
77R1407	428, 439
77R1409	429, 439
77R1419	427
77R1502	93, 454
77R1504	93, 94, 454, 455
77R1512	93, 94, 96, 454, 455, 457
77R1514	93, 94, 96, 454, 455, 457
77R1522	93, 94, 454, 455
77R1524	93, 94, 454, 455
77R1602	93, 94, 454, 455
77R1604	93, 95, 454, 456
77R1612	93, 95, 454, 456
77R1614	93, 95, 454, 456
77R1622	93, 95, 454, 456
77R1624	93, 95, 454, 456
77R1632	93, 95, 454, 456
77R1702	93, 96, 454, 457
77R1704	93, 96, 454, 457
77R5240	428, 439
77R5250	429, 439
77R5260	429, 439
77R5263	429, 440
77R5910	166, 429, 440
77R6800	430, 440
77R6807	190, 429, 440
77R6817	209, 429, 441
77R6900	166, 428, 441
77R6920	430, 441
77R6925	430, 441
77R6930	428, 441
77R6935	77, 429, 441
77R6940	429, 442
77R6945	154, 430, 442
77R6947	430, 442
77R6950	182, 428, 442
77R6951	428, 429, 442
77R6955	154, 428, 442

77R6957	154, 428, 443	78R0090	533	78R5243	238, 480, 481	79R0100	534
77R6960	154, 430, 443	78R0100	39, 40, 70, 73, 76, 521	78R5244	111, 113	79R0101	597, 598
77R6965	429, 443	78R0200	534, 539	78R5246	480, 482	79R0102	534
77R6970	154, 429, 443	78R0250	14, 73, 534, 539	78R5249	111	79R0105	610
77R6975	154, 429, 443	78R0300	73, 534, 539	78R5250	238, 482	79R0109	597
77R6978	122, 430, 443	78R0350	534, 539	78R5251	480, 482	79R0120	597, 598
77R6982	182, 429, 444	78R0400	534, 539	78R5252	111	79R0125	608
77R6985	154, 429, 444	78R0451	519, 532	78R5254	111	79R0138	461, 608
77R6990	430, 444	78R0451SP	519, 532	78R5255	111, 113	79R0150	461, 608
77R6995	166, 429, 444	78R0452	519, 532	78R5256	113	79R0170	599
77R7000	136, 428, 444	78R0452SP	519, 532	78R5256M	111, 131, 480, 482	79R0180	599
77R7005	271, 427, 445	78R0456	519, 532	78R5257	111, 113	79R0190	605
77R7010	282, 427, 445	78R0456SP	519, 532	78R5258	111	79R0195	605
77R7020	282, 428, 445	78R0458	519, 532	78R5290	483	79R0225	461, 608
77R7100	44, 52, 236, 271, 428, 445	78R0458SP	519, 532	78R5300	30, 50, 487	79R0241	461, 608
77R7702	166, 429, 445	78R1025	10, 12, 14, 24, 26, 28, 32, 34, 39, 40, 42, 532	78R5301	299, 303	79R0250	461, 608
77R7704	166, 428, 446	78R1027	10, 12, 14, 24, 26, 28, 32, 34, 39, 40, 44, 532	78R5304	131	79R0258	461, 608
77R7705	136, 428, 446	78R1070	10, 12, 24, 26, 28, 32, 34, 39, 40, 44, 48, 532	78R5305M	139, 480	79R1150	608
77R7706	166, 429, 446	78R1470	43	78R5306M	112, 113, 131, 487	79R1255	608
77R7708	166, 429, 446	78R1505	30, 532	78R5308	131, 175, 210	79R1502	519, 596
77R7710	43, 166, 429, 446	78R1605	50, 532	78R5309	112, 113, 480, 483	79R1503	519, 596
77R7712	166, 428, 446	78R1705	39, 40, 44, 46, 52, 54, 62, 532	78R5310	52, 54	79R1504	519, 596
77R7714	166, 429, 447	78R1805	56, 58, 60, 532	78R5313	238	79R1505	519, 596
77R7715	429, 447	78R2100	39, 40, 539	78R5315	275	79R1520	519, 596
77R7800	428, 447	78R3000	534	78R5318	238	79R1525	519, 596
77R7900	236, 429, 447	78R3001	534	78R5320	28, 238	79R1531	519
77R8100	430, 447	78R3002	535	78R5340	66, 480, 483	79R1536	519, 596
77R8200	166, 430, 447	78R3003	535	78R5350	68, 303, 483	79R1538	519, 596
77R8301	154, 430, 448	78R3004	535	78R5351	112, 113	79R1541	519, 596
77R8303	430, 448	78R3005	140, 535	78R5360	28, 62	79R1546	519, 596
77R8305	154, 182, 448	78R3006	535	78R5360M	275, 480, 484	79R1560	519, 596
77R8309	136, 429, 448	78R3007	535	78R5361	113	79R1565	519, 596
77R8310	154, 182, 429, 448	78R3008	535	78R5363	112, 113	79R1660	610
77R8315	166, 429, 449	78R5000	100, 486, 491	78R5367	238	79R1710	606
77R8320	166, 427, 449	78R5003	491	78R5370	56, 487	79R1730	598
77R8325	449	78R5004	491	78R5375	275	79R1800	601
77R8330	154, 428, 449	78R5005	491	78R5390	34, 480, 484	79R1810	601
77R8335	166, 428, 449	78R5006	491	78R5420	175	79R1815	601
77R8340	166, 429, 449	78R5007	491	78R5420M	146, 480, 484	79R1820	601
77R8345	428, 450	78R5008	491	78R5430	125, 480, 485	79R1825	601
77R8350	136, 428, 450	78R5100	50, 56, 60, 62, 100, 486, 491, 492	78R5435	131, 485	79R1911	601
77R8355	122, 427, 450	78R5110	50, 56, 60, 62, 100, 486, 491, 492	78R5440	131, 485	79R3120	600
77R8365	182, 429, 450	78R5150	28	78R5450	146, 485	79R3125	600
77R8370	192, 427, 450	78R5200	100, 486, 491	78R5455	146, 485	79R3127	600
77R9000	96, 457	78R5210	50, 56, 60, 62, 100, 486, 491	78R5460	146, 175, 485	79R3161	602
77R9005	96, 457	78R5235	480, 481	78R5500	100, 491, 533	79R3162	602
77R9010	96, 457	78R5236	111, 113	78R8451	504, 506, 507, 532	79R3163	602
77R9015	96, 457	78R5236M	131, 480, 481	78R8451SP	504, 532	79R3164	602
77R9020	86, 96, 457	78R5239	125	78R8452	504, 506, 507, 532	79R3165	602
78R0030	534	78R5240	290, 480, 481	78R8452SP	504, 532	79R3166	602
78R0040	534	78R5241	210, 480, 481	78R8456	504, 506, 507, 532	79R3171	602
78R0050	534			78R8456SP	504, 532	79R3172	602
78R0060	534			78R8458	504, 506, 507, 532	79R3173	602
78R0063	534			78R8458SP	504, 532	79R3174	602
78R0065	534			78R9461	518, 532	79R3175	602
78R0070	533			78R9600	533	79R3176	602
78R0075	533			79R0020	610	79R3178	602

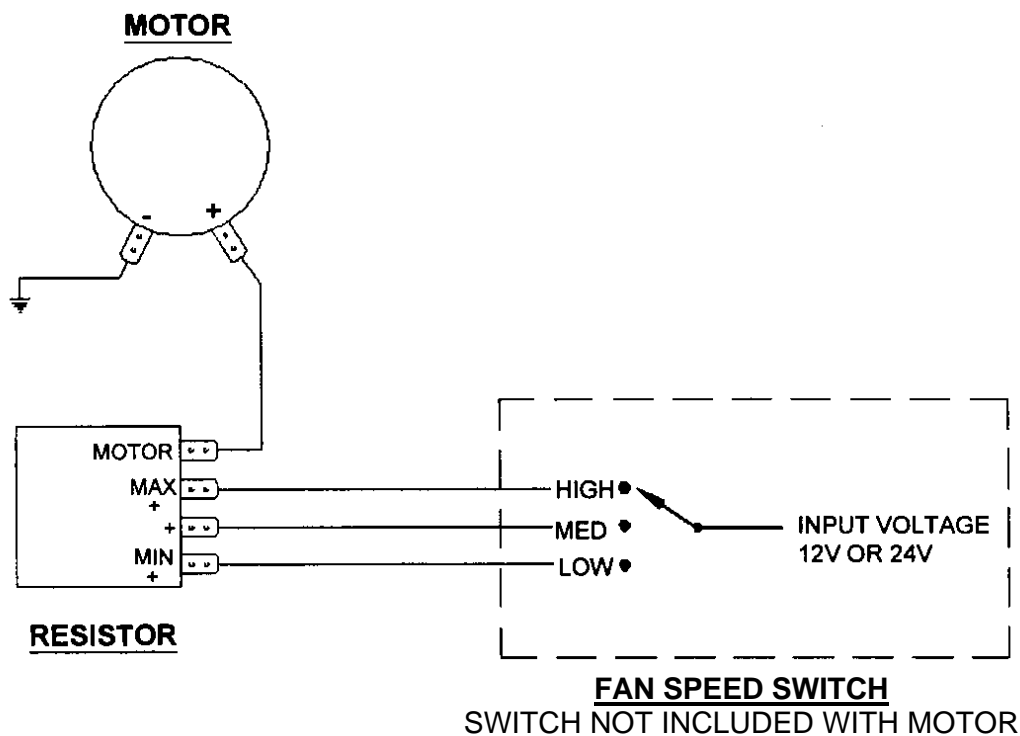
RED DOT PART NUMBER INDEX

79R3179	602	R-3500-1P	75	RD-1-0552-0P	169	RD-4-5452-0P	93, 94, 454, 455
79R3576	606	R-3540-2P	75	RD-1-0639-0P	70, 72, 539	RD-5-10028-0P	231, 241
79R3591	601	R-4013HP	76, 78, 458	RD-11-0126-0P	101	RD-5-10179-0P	123, 474, 476
79R4005	602	R-4122-9P	20, 458	RD-11-0128-0P	101	RD-5-10194-0P	191
79R4006	597, 610	R-4500-8-24P	48, 80, 91	RD-1-1545-0P	77	RD-5-12354-0P	200, 481
79R4007	610	R-4500-8P	48, 80, 91	RD-1-1651-0P	14, 539	RD-5-12358-0P	161
79R4008	610	R-5040-0P	24, 64, 458	RD-1-1654-0P	71	RD-5-12568-0P	366, 373
79R4400	608	R-5040-2P	24, 64, 458	RD-1-1965-0P	211, 523, 530	RD-5-12742-0P	68, 330, 333
79R4550	607	R-5040-4P	24, 64, 458	RD-2-0961-0P	50	RD-5-12742-24P	68, 330, 333
79R4561	607	R-5040-6P	24, 458	RD-2-1060-0P	67	RD-5-12742-2P	266
79R4562	607	R-5075-0-24P	28, 65	RD-2-1189-0P	65	RD-5-13208-0P	411
79R4563	607	R-5075-0P	28, 65	RD-2-1206-0P	65	RD-5-13259-0P	326, 327
79R4580	607	R-6101-0-24P	30, 65	RD-2-1302-0P	30	RD-5-14049-0P	413
79R4585	607	R-6101-0P	30, 65	RD-2-1398-0P	34	RD-5-14085-0P	473, 476
79R4587	607	R-6130-0P	76, 78, 458	RD-2-1487-0P	66	RD-5-14087-0P	312
79R4595	607	R-6130-1P	76, 78, 458	RD-2-2701-0P	77	RD-5-14641-0P	413
79R4597	414, 606	R-6160-0-24P	34, 82, 91	RD-2-2890-0P	65	RD-5-15309-0P	366, 374
79R4600	609	R-6160-0P	34, 42, 82, 91	RD-2-3279-0P	14, 539	RD-5-15526-0P	411
79R4605	609	R-6260-1-24P	84, 91	RD-2-3515-0P	32	RD-5-15572-1P	119
79R4650	606	R-6260-1P	84, 91	RD-2-3673-0P	32	RD-5-15710-0P	550
79R4655	606	R-6830-0-24P	332	RD-2-3674-0P	32	RD-5-3860-4P	67
79R4710	606	R-6840-0P	32, 66	RD-3-10111-0P	44, 539	RD-5-3860-5P	67
79R5035	608	R-7830-0-24P	34, 66	RD-3-10112-0P	44, 539	RD-5-3894-1P	67, 91
79R5901	608	R-7830-0P	34, 66	RD-3-10210-0P	60	RD-5-4031-0P	50
79R6700	609	R-8230-0P	36	RD-3-10478-0P	10	RD-5-4195-0P	67, 91
79R8915	505, 506, 595	R-8235-0P	38	RD-3-10597-0P	10	RD-5-4722-1P	82
79R8916	505, 595	R-8500-2-24P	39, 66	RD-3-14448-0P	66, 330, 333	RD-5-4743-0P	82
79R8920	496, 505, 595	R-8500-3P	39, 330, 333	RD-3-14448-1P	66, 330, 333	RD-5-5150-0P	100, 491
79R8930	496, 505, 507, 595	R-8820-1P	42, 43	RD-3-2547-0P	65	RD-5-5223-2P	65
79R8931	505, 595	R-8820-2P	42, 43	RD-3-2547-1P	65	RD-5-5505-33P	52, 67
79R8940	415, 605	R-9520-0-24P	44, 458	RD-3-3133-1P	26	RD-5-5982-1P	52
79R8950	543	R-9520-0P	44, 458	RD-3-3753-0P	65	RD-5-6423-0P	50, 492
79R9516	519, 596	R-9530-0-24P	66	RD-3-4058-0P	64, 204	RD-5-7188-0-35M	478
79R9521	519, 596	R-9530-0P	66	RD-3-4784-0P	52, 54	RD-5-7999-1P	52, 67
R-10151-0P	265, 268	R-9715-10P	48	RD-3-5448-0P	40	RD-5-8131-0P	460
R-1620-1-24P	289-291	R-9715-11P	48, 67	RD-3-5790-0P	50	RD-5-8375-0P	231
R-2020-0-24P	73, 77	R-9727-2P	50, 67	RD-3-6060-0P	39, 539	RD-5-8412-0P	84
R-2020-0P	73, 77, 458	R-9730-0-24P	88	RD-3-7254-1P	65	RD-5-8487-1P	570
R-2300-0-24P	14, 64, 458	R-9730-0P	88	RD-3-7383-0P	66, 68, 69	RD-5-8622-0P	43
R-2300-0P	14, 64, 458	R-9750-10-24P	52	RD-3-7383-1P	66, 68, 69	RD-5-8638-0P	120, 134, 151, 164, 180, 189, 197, 207, 413
R-254-0-24P	70, 77, 458	R-9750-10P	52, 67	RD-3-7385-0P	460	RD-5-8638-1P	251
R-254-0P	70, 77, 458	R-9750-9-24P	52, 67	RD-3-7646-0P	20	RD-5-8641-0P	231, 265, 286
R-254-1P	70	R-9750-9P	52, 67	RD-3-8350-0P	460	RD-5-8641-1P	231, 265, 286
R-254-4P	70, 458	R-9753-0-24P	68	RD-3-8783-0P	214, 231	RD-5-8703-1P	95, 456
R-2550-0P	18, 458	R-9753-0P	68	RD-3-9137-0P	69	RD-5-8759-0P	328
R-255-4P	458	R-9755-0-24P	54, 68, 333	RD-3-9188-0P	616	RD-5-8785-4P	91
R-270-0-24P	71, 458	R-9755-0P	54, 68	RD-3-9706-0P	56	RD-5-8804-1P	174, 614
R-270-0P	71, 458	R-9757-0-24P	56, 68	RD-4-3669-0P	86, 91	RD-5-8804-2P	614
R-290-0-24P	72, 77, 458	R-9757-0P	56, 68	RD-4-3804-0P	91	RD-5-8837-1	231, 297, 309
R-290-0P	72, 77, 458	R-9777-0-24P	60, 69	RD-4-3882-0P	91	RD-5-8885-0M	612
R-290-4-24P	72, 458	R-9777-0P	60, 69	RD-4-4405-0P	93, 454	RD-5-8886-0M	616
R-290-4P	72, 77, 458	R-9777-1-24P	60	RD-4-4529-1P	82	RD-5-9001-0P	94, 455
R-295-0-24P	72, 77, 458	R-9777-1P	60, 69	RD-4-4548-1P	88	RD-5-9001-1P	95, 456
R-295-0P	72, 77, 458	R-9800-0-24P	62, 69	RD-4-5041-0P	91	RD-5-9001-2P	93, 454
R-295-4P	72, 77, 458	R-9800-0P	62, 69	RD-4-5121-0P	91	RD-5-9013-0P	65, 573
R-297-0-24P	73	RD-1-0352-0P	77	RD-4-5135-0P	84	RD-5-9018-0P	93, 454
R-297-0P	73	RD-1-0419-0P	73	RD-4-5341-0P	80		

RD-5-9018-1P	94, 455
RD-5-9216-1P	460
RD-5-9872-0P	549
RD-5-9884-0P	95, 456
RD-6-4661-1P	187
RD-6-4797-1P	173, 461

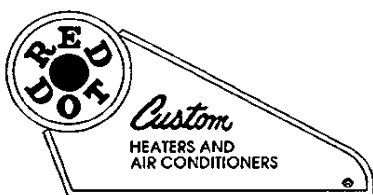


Auxiliary Heaters R-290, R-295

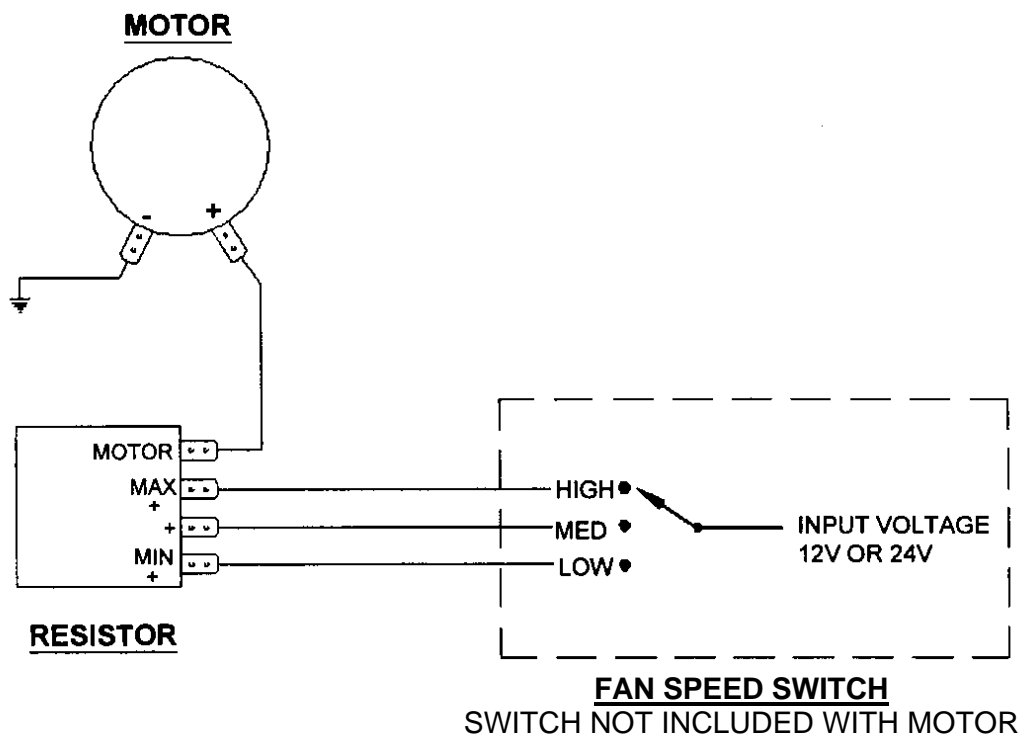


WIRING DIAGRAM

WARNING: UNIT WARRANTY VOID IF FUSED POWER SOURCE NOT USED



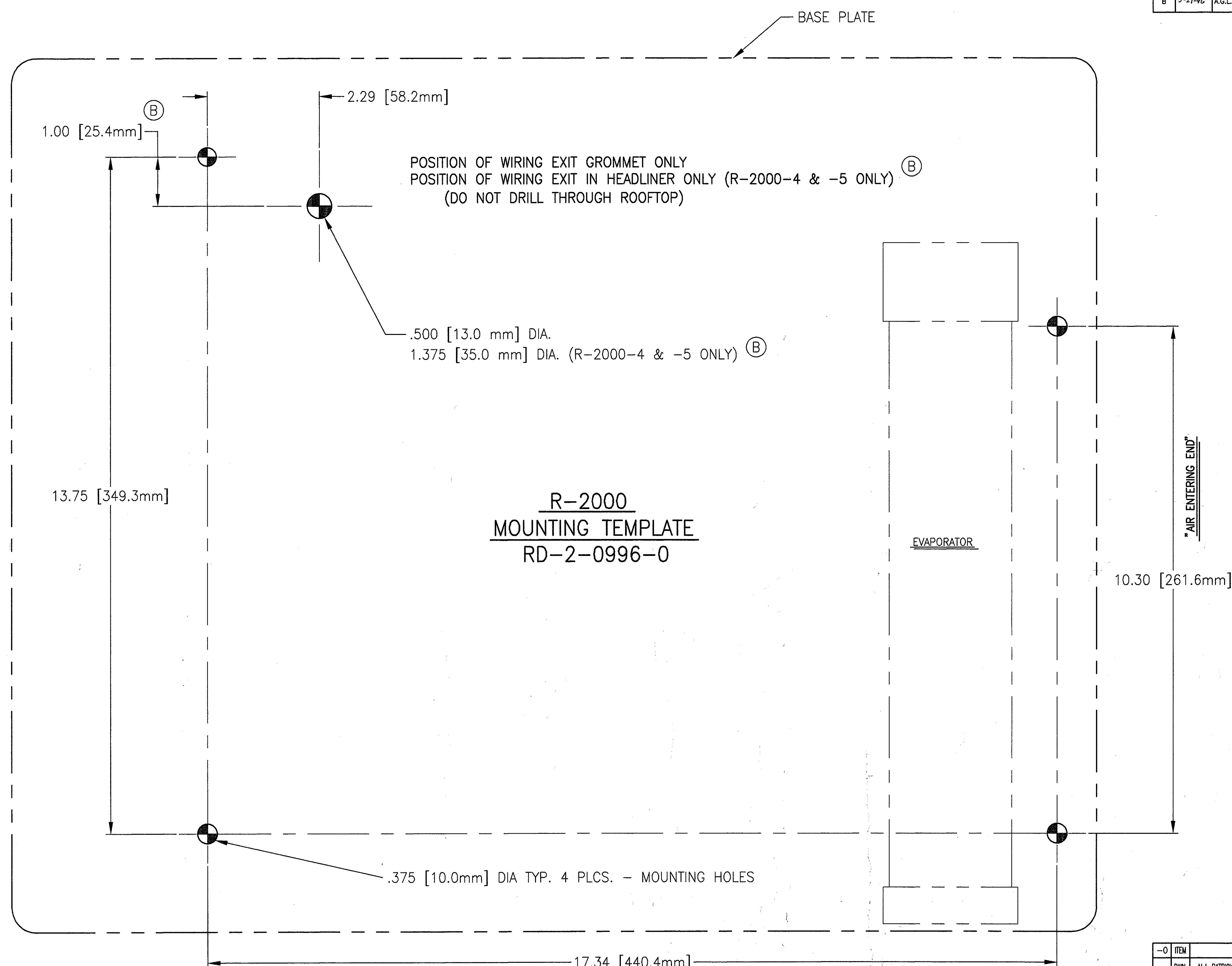
Auxiliary Heaters R-290, R-295



WIRING DIAGRAM

WARNING: UNIT WARRANTY VOID IF FUSED POWER SOURCE NOT USED

LTR	DATE	BY	CHK'D	PROD APPR	REVISION
A	3-20-95	BJD	DEA	K.M.	REDRAWN IN ACAD, SEE "BLACKLINE" FOR PREV. REV.; (QR 29833)
B	5-21-96	A.G.L.	JSM	<i>RMA</i>	ADDED 1.00 [25.4mm], 1.375 [35.0 mm] DIA. (R-2000-4 & -5 ONLY) & POSITION OF WIRING EXIT IN HEADLINER ONLY (R-2000-4 & -5 ONLY). (GE 00918)

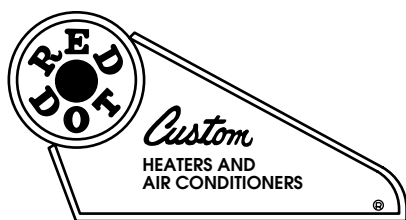


**R-2000
MOUNTING TEMPLATE
RD-2-0996-0**

1) "AIR ENTERING END" SHOULD BE PLACED IN DIRECTION DESIRED

NOTE:

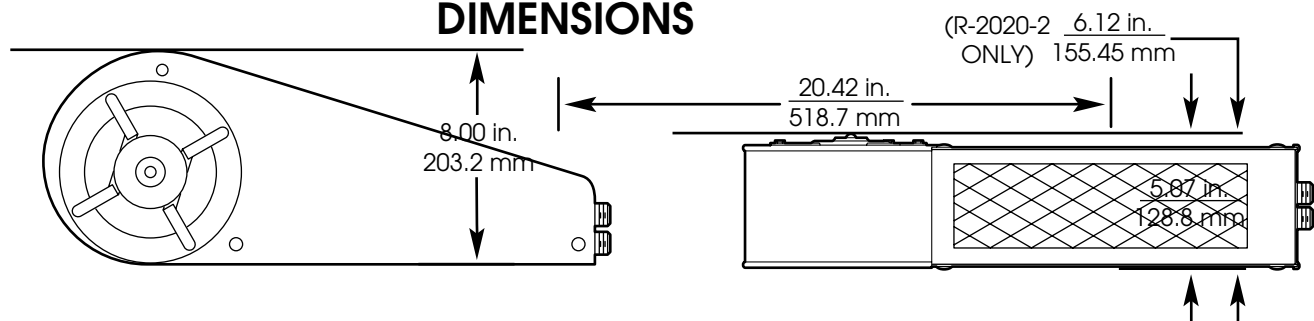
-0	ITEM	PART NO.	DESCRIPTION	MAT'L	FINISH
DWN	M.J. PATRICK	2-2-78	TEMPLATE - MOUNTING		
CKD	KRUEGER	2-2-78	R-2000		
SCALE FULL SIZE			THIS PRINT IS PROPRIETARY INFORMATION LOANED SUBJECT TO RETURN UPON DEMAND AND IS NOT TO BE USED DIRECTLY OR INDIRECTLY IN ANY WAY DETRIMENTAL TO RED DOT CORPORATION.		
RED DOT CORPORATION 495 Andover Park East Seattle, WA 98188			NEXT ASSY R-2000	DWG. NUMBER RD-2-0996	SIZE SHEET D 1 OF 1



Red Dot Auxiliary Heater-Defroster R-2020 Series

TECHNICAL SALES BULLETIN AND SERVICE PARTS LIST

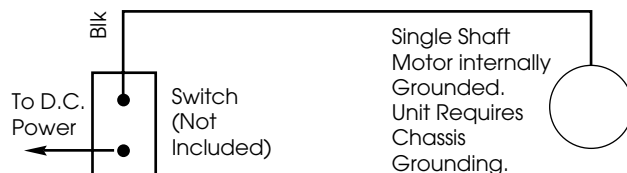
DIMENSIONS



SPECIFICATIONS

BTU's Per Hour:	17,800 BTU/Hr @ 100°F. Air Temp. Rise
Air Flow:	165 C.F.M.
Current Draw:	6 Amps @ 12 Volts 3 Amps @ 24 Volts
Weight:	10.7 Lbs.

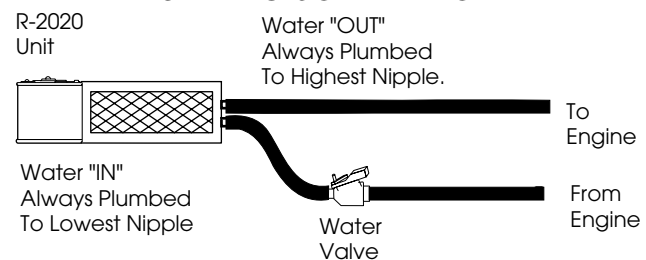
ELECTRICAL SCHEMATIC



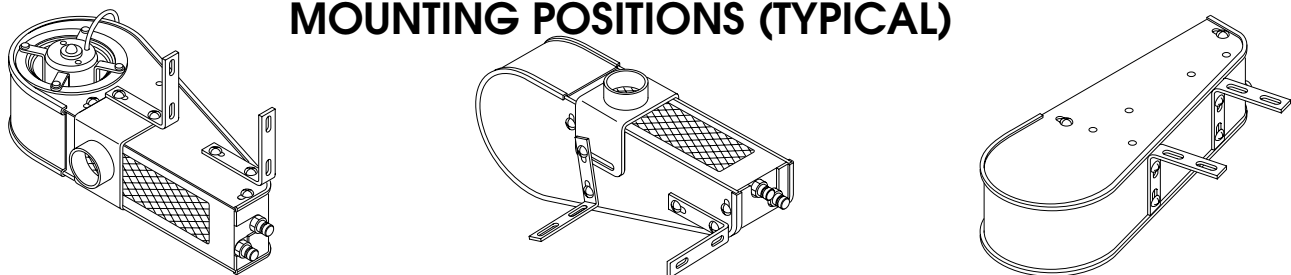
NOTE: - RD-3200-1 Control Assembly May Also Be Used. This Control Cycles Fan To Maintain Pre Set Temperature.

SCHEMATICS

PLUMBING SCHEMATIC



MOUNTING POSITIONS (TYPICAL)



APPLICATION

R-2020 Is A Universal Unit That May Be Mounted In Any Position With Defrost Only, Defrost & Heater Or Heater Only Modes, And Straight Or 90 Degree "O" Ring & Hose Fittings. Unit May Be Installed On Air Cooled Engine Heated Oil Systems.

Construction & Industrial Cabs

Marine

This Unit Was Designed As A Versatile Package To Meet Increasing Demands For Heating And Defrosting In The Above Captioned Equipment, Also For Additional Source Of Heat To Compliment Existing Heaters And Defrosters.



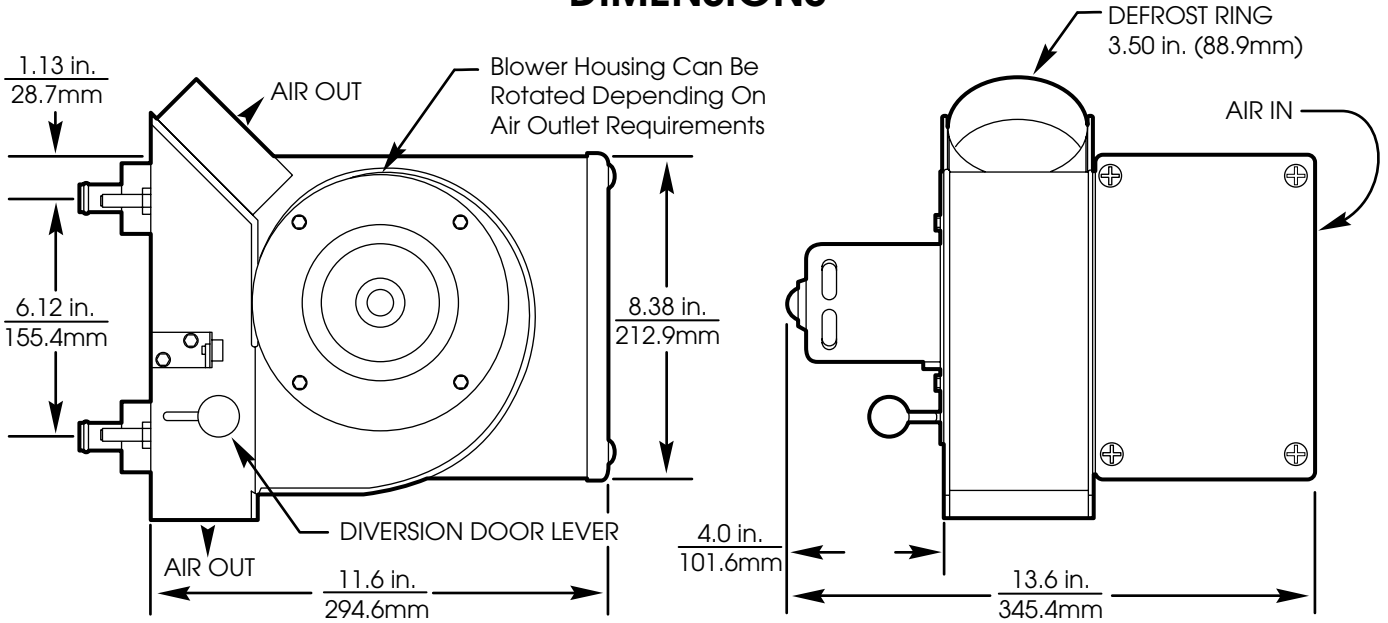
PRINTED ON RECYCLED PAPER



Red Dot Heater-Defroster R-4013 Series

TECHNICAL SALES BULLETIN AND SERVICE PARTS LIST

DIMENSIONS

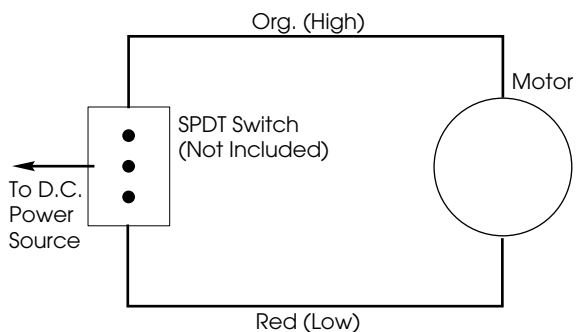


SPECIFICATIONS

BTU's Per Hour:	20,000 BTU/Hr @ 100°F Air Temperature Rise
Air Flow:	185 C.F.M.
Current Draw:	11 Amps @ 13.6 Volts
Weight:	15.7 Lbs.

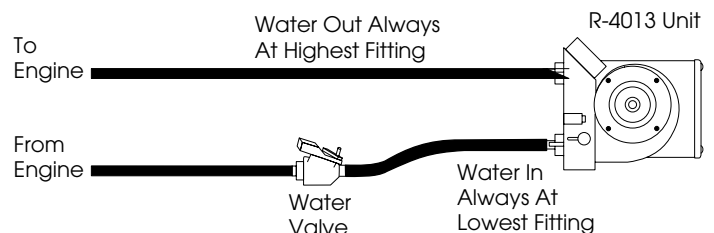
SCHEMATICS

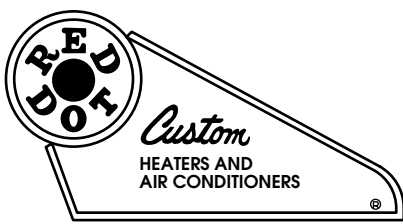
ELECTRICAL SCHEMATIC



NOTE: Motor internally grounded.

PLUMBING SCHEMATIC

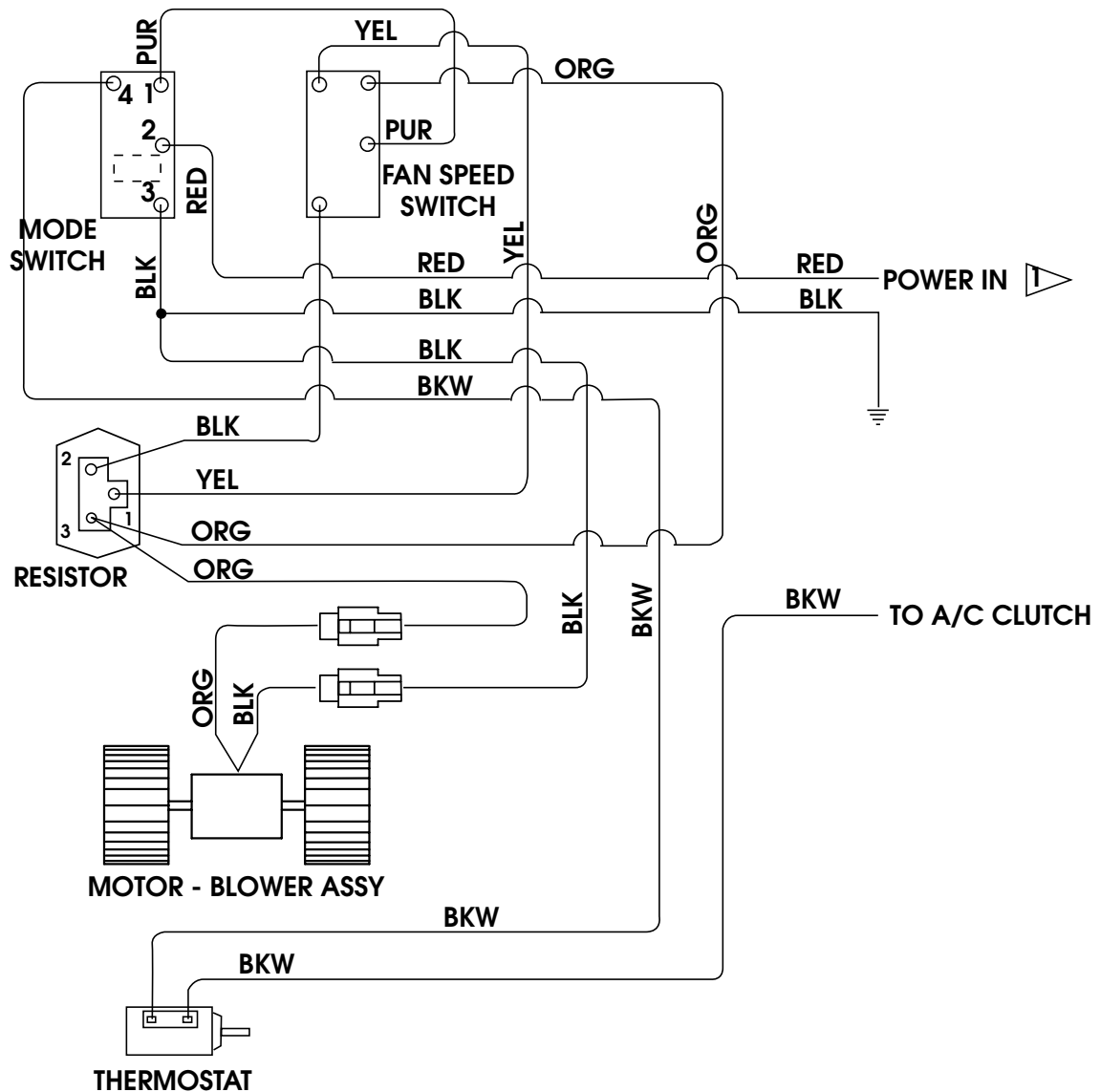


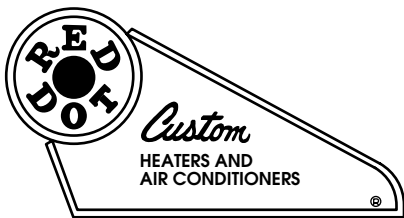


Heater-Air Conditioner Model R-5075

R-134a Compatible

ELECTRICAL SCHEMATIC

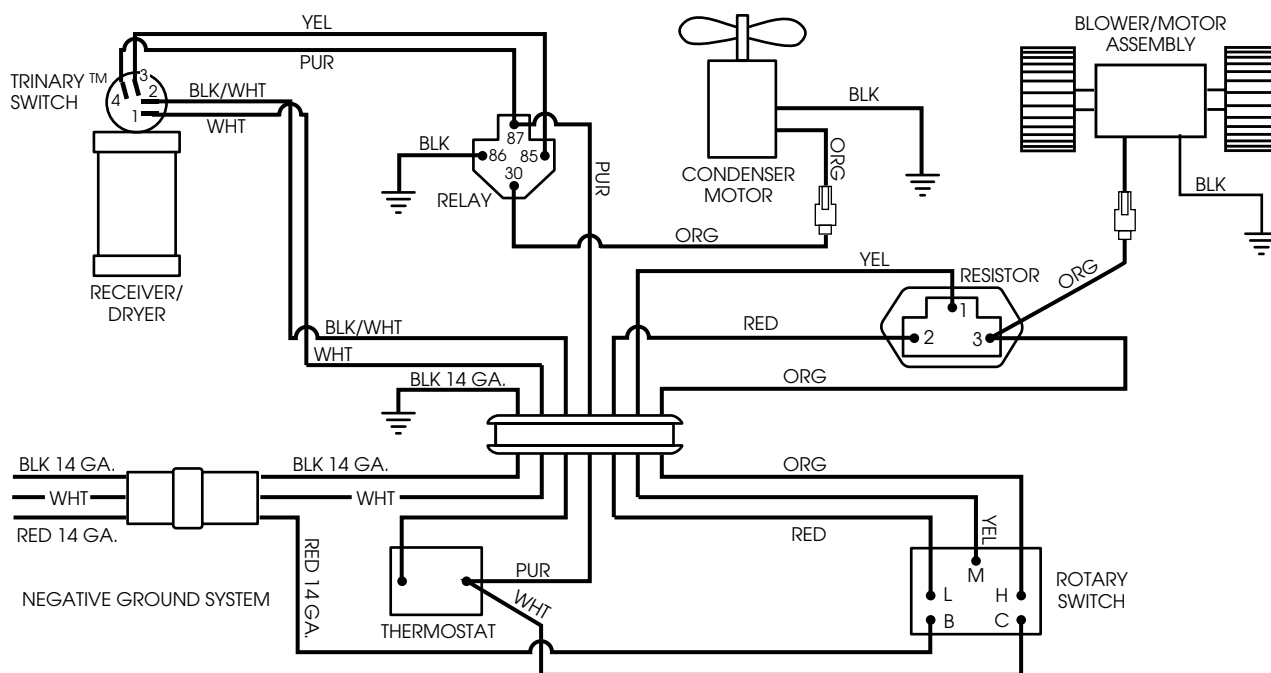




Universal Rooftop Air Conditioner R-6100 Series

ELECTRICAL SCHEMATIC

ELECTRICAL SCHEMATIC



- 1) ALL WIRE IS 16 GA. UNLESS OTHERWISE NOTED.
- 2) SEE RE-2-1255-0 AND RD-2-1250-0 WIRE HARNESS ASSYS FOR INDIVIDUAL WIRE DESCRIPTION AND SPECIFICATIONS.

ORDERING INFORMATION

ORDER BY MODEL NUMBER **R-6100-0**.
 FOR 24 VOLT APPLICATIONS ADD **-24** TO MODEL NUMBER.
 Additional cost may be needed for complete systems:

1. Channel Mounting Kit - RD-2-1302-0P
2. Installation Kit - RD-5-5014-1P

RED DOT CORPORATION P.O. Box 58270 Seattle, WA 98138 (425) 575-3840

FOR REFERENCE ONLY. SUBJECT TO CHANGE WITHOUT NOTICE

B. Refrigerant Hose Installation

1. Install "O" Rings and connect hoses to fittings on unit.
2. Route hoses over the top of the cab and down the back wall to the compressor. On tilt cab vehicles, route hose to the cab pivot point and then to compressor.
3. Use clamps provided to secure hoses and prevent hose movement. Hoses must not come in contact with hot vehicle components and they should not be subjected to mechanical abrasions.

C. Drain Hose Installation

1. Locate 2 long drain hoses and install on rear facing drain tubes. Make sure drain tubes are routed with a vertical run in them. Secure drain tubes with tie wraps. Do **not** overtighten tie wraps as this could cause inadequate drainage.
2. Locate 2 short drain hoses and install on forward facing drain tubes.
3. Inspect to be sure that drain hoses are not kinked or squished, especially at the back of the cab.

D. Wiring

Note: Unit is wired for a negative ground.

1. Disconnect battery.
2. **Orange and Black wires (condenser fan circuit):** Connect the Orange wire to the ignition switch supplied power through a 30 amp circuit breaker (15 amp/24V) and the black wire to ground.
3. **Red and Black wires (motor blower circuit):** Connect the red wire to ignition switch supplied power through 30 amp circuit breaker (15 amp/24V) and the black wire to ground.
4. **Green wire (compressor clutch circuit):** Connect the compressor clutch. Route the wire around the hinge point before connecting to compressor clutch on tilt-cab installations.
5. See Wiring Schematic (RD-3-19406) provided in installation kit.

E. Air Diffuser Plenum

1. Install headliner (if it was removed). Make sure that wire loom exits plenum and is not pinched.
2. Install four M5 x 0.8 x 75 in the plenum assembly and secure with provided retainers. If you have a thin roof and thin or no headliner you may want to use the four M5 x 0.8 x 50
3. Place one gasket in plastic plenum assembly. Two foam gaskets may be required if the headliner is over 1" thick. If a second gasket is required you can order it (RD-2-1297-0). The two gaskets can be glued together for ease of installation.
4. Place plenum in place and start one M5 screw.
5. Attach the switch and thermostat to the plenum with three 7/16-28 nuts (two with the switch and one with the thermostat).
6. Start the remaining screws and tighten plenum screws evenly until the plenum fits snugly against the headliner. **NOTE:** Do not use an impact wrench to tighten these bolts. Do not exceed 30 in-lb (3.4 Nm) torque for plenum bolts.
7. Align D-flats on the knobs and push them on.

F. Refrigerant Charge Guide

Hose Length in Feet	R-134a in oz.	Hose Length in Feet	R-134a in oz.
10	26.0	15	26.5
20	27.0	25	27.4
30	27.9	35	28.4



R-6101 Rooftop Air Conditioner

INSTALLATION INSTRUCTIONS

MODEL R-6101 ROOFTOP AIR CONDITIONER INSTALLATION INSTRUCTIONS

NOTE:

1. Please read instructions completely before beginning work.
2. Check that all items listed on the RD-2-7314-0 installation kit have been included.
3. A compressor, compressor bracket(s), belts and refrigerant are required to complete the installation. These items are available from your RED DOT Distributor.
4. The compressor must have sufficient capacity to allow the unit to deliver the rated BTU output. A compressor displacing 9 cubic inches per revolution (Sanden SD7H15 or equiv.).

A. Mounting the unit on the cab roof

1. Remove the headliner or loosen enough to drop the center portion (Disregard if no headliner).
2. Determine the most suitable location for mounting the air conditioning unit.
 - a. Mark the front-to-rear centerline of the cab on the outside of the cab roof.
 - b. Place the mounting template on the roof using the centerline as a guide.
 - c. Consider the position of the horn(s) and marker lights.
 - d. Ensure that air flow to the unit is not obstructed.
 - e. Do not mount the unit with the front lower than the rear, as this will prohibit water drainage.
 - f. Avoid cutting roof stiffeners if possible. If stiffeners are cut or roof is weakened due to the cut-out, reinforcement may be required.
3. Tape the template to the roof at the desired location. Mark the mounting hole location and the roof cut-out area (punch or scribe the roof).
4. Cut the roof where marked and drill the 1/2" mounting holes. Remove burrs and sharp edges.
5. Temporarily install the headliner and trace the cut-out onto it from the cab roof. Remove the headliner and cut out the area marked. Use caution and do not cut the headliner opening larger than the roof opening (check against template if in doubt).
6. Should roof reinforcement be required, fabricate and install at this time.
7. Clean the outside roof area around the cut-out and mounting holes using a mild solvent.
8. Apply a thin film of adhesive 1" wide around upper surface of roof cut-out and mounting holes. Apply sealer to the face of the sealing ring on the unit. See Figure 1.
9. Set unit on cab. Make sure that drain tube is not pinched and roof brace is installed, if required.
10. Select spacers as required to level and support unit. See Figure 2.
11. Apply adhesive to the faces of all spacers and locate over mounting holes.
12. Tighten the four cap screws provided evenly until the spacers take the load and just begin to "bulge" slightly. Do not overtighten. Bottom of unit and roof may distort and cause water leakage.

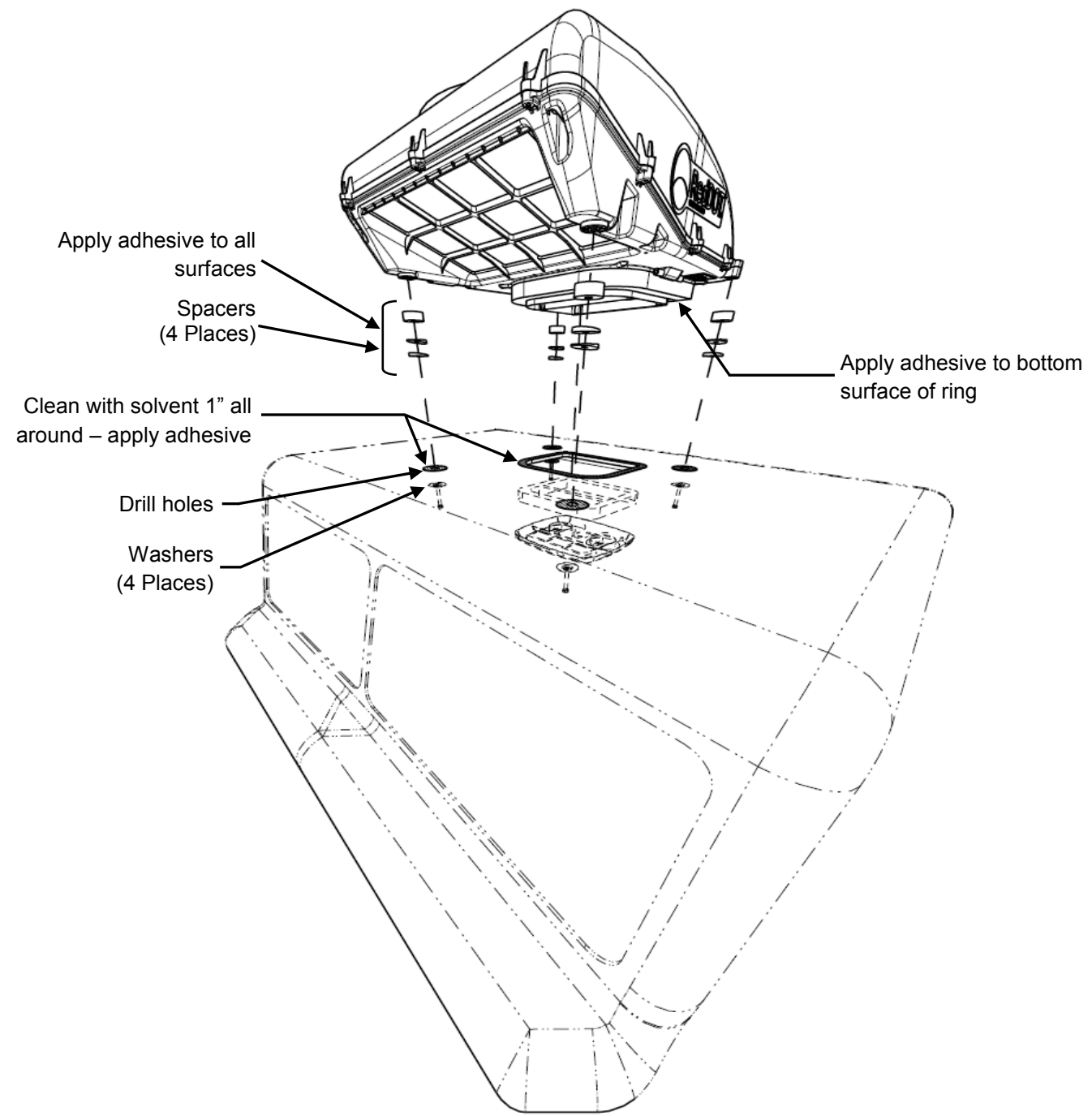
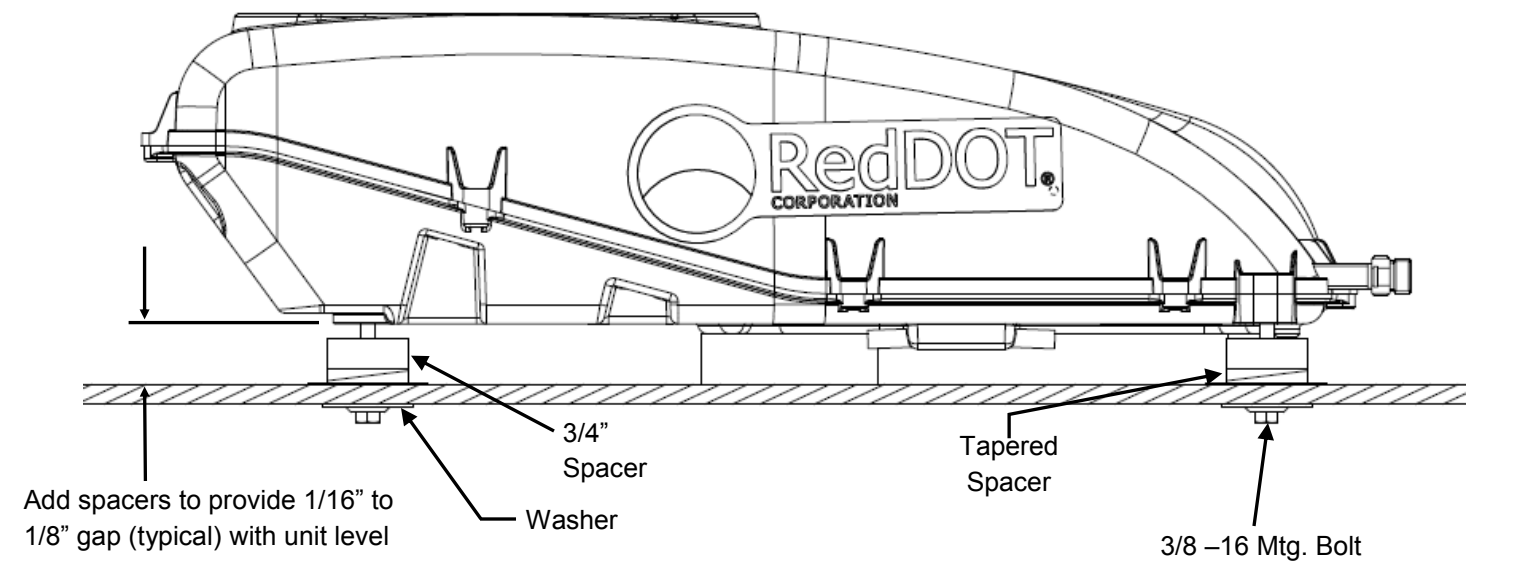
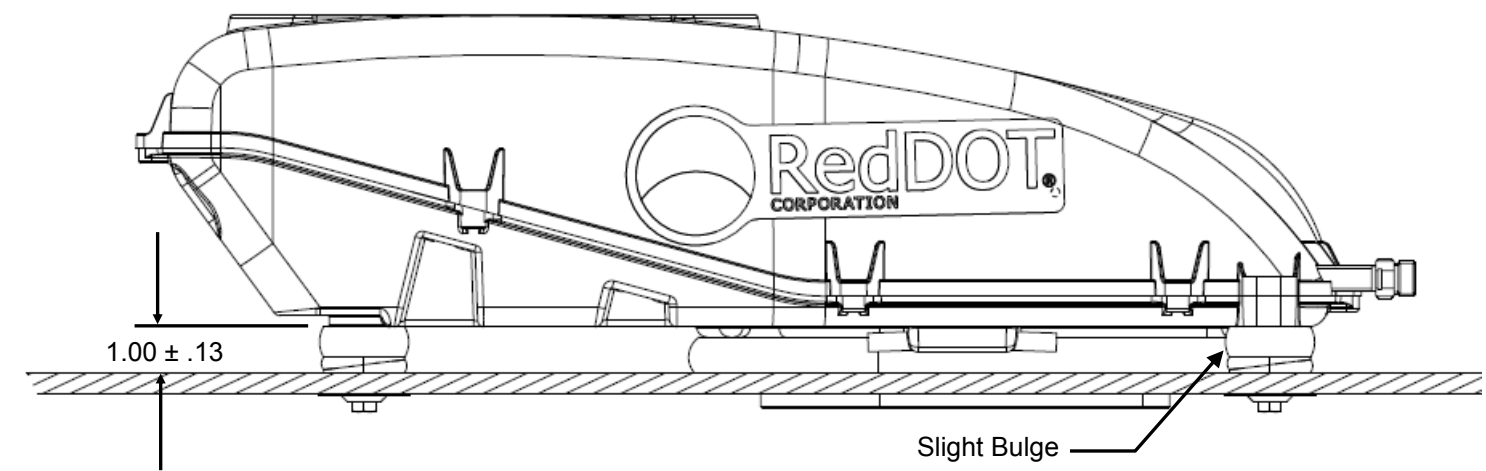


Figure 1



BEFORE TIGHTENING

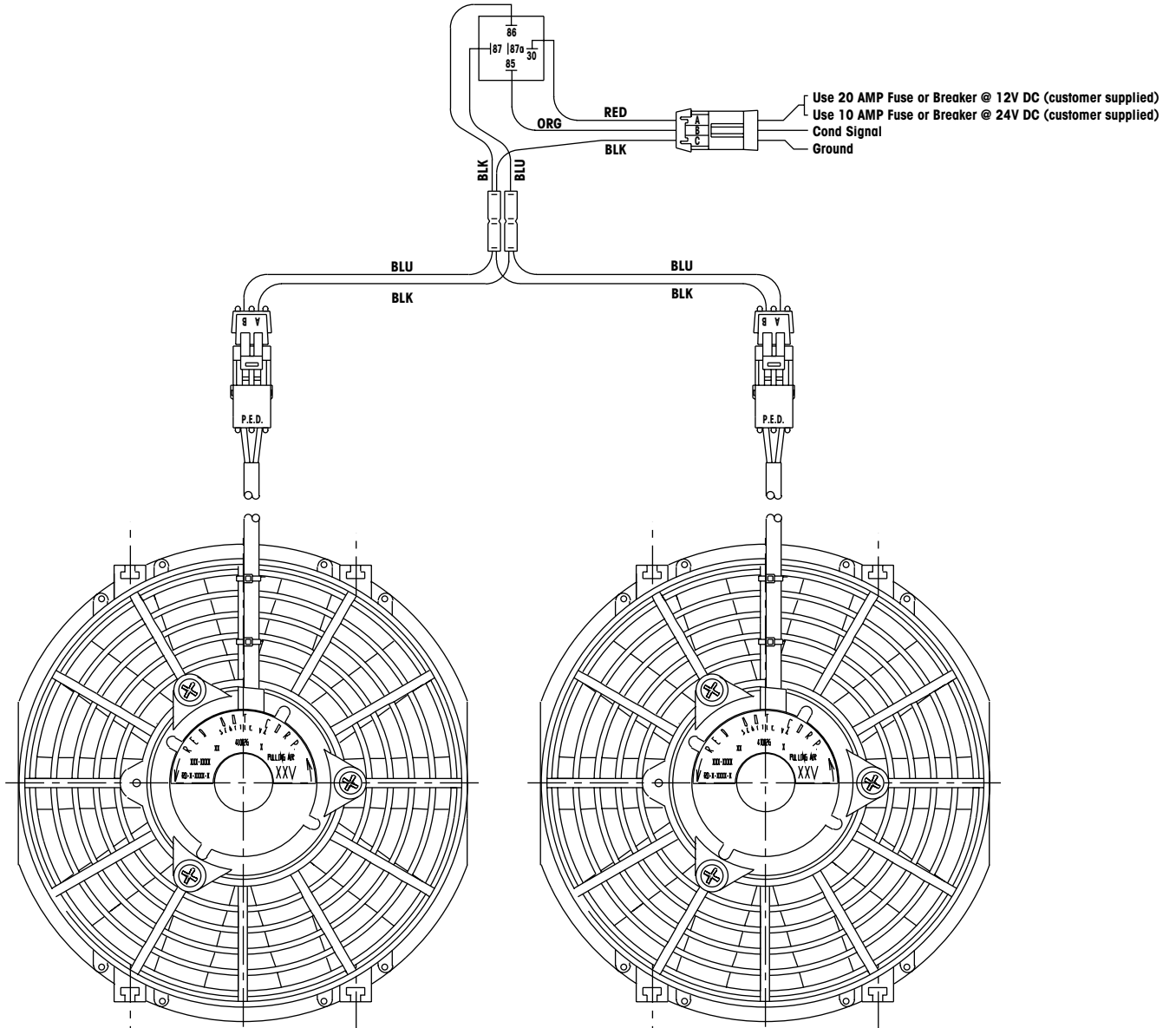


AFTER TIGHTENING

Figure 2

Rooftop Condenser Model R-6260-0,-0-24,-2

WIRING SCHEMATIC



RED DOT CORPORATION

Aftermarket Office P.O.Box 88790 Seattle, WA 98138 (425) 251-6897 fax (206) 251-3934

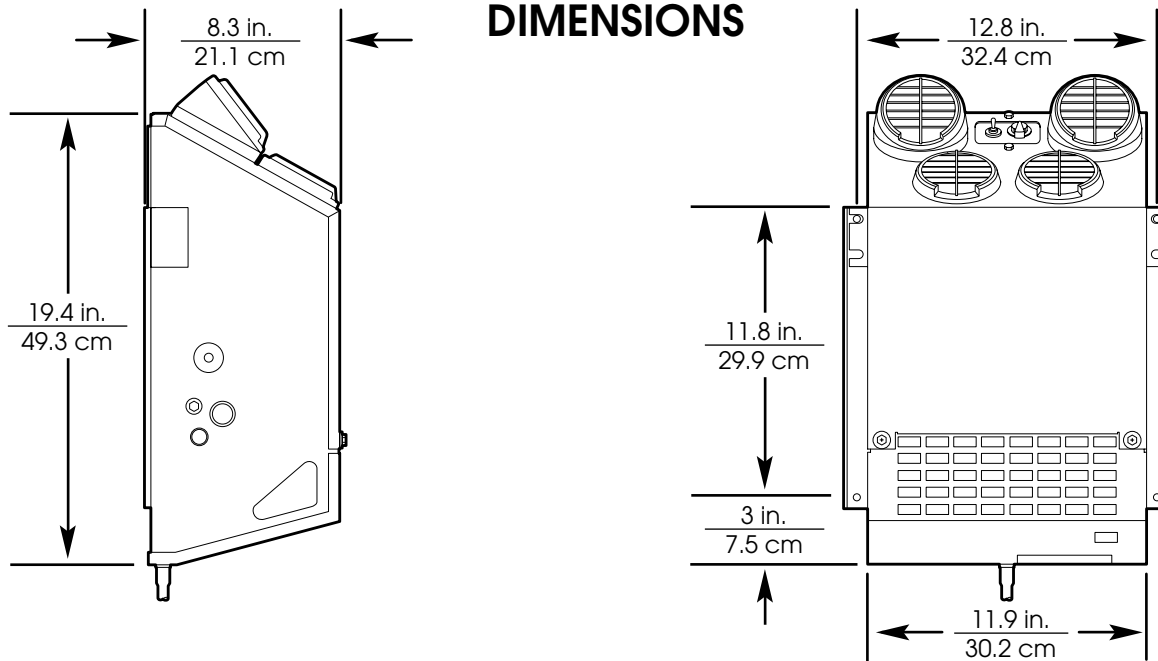
RD-3-9168-0 (REV --) Sheet 2 Of 2 FOR REFERENCE ONLY. SUBJECT TO CHANGE WITHOUT NOTICE



R-134a Compatible

Red Dot Air Conditioner R-7830 Series

TECHNICAL SALES BULLETIN AND SERVICE PARTS LIST

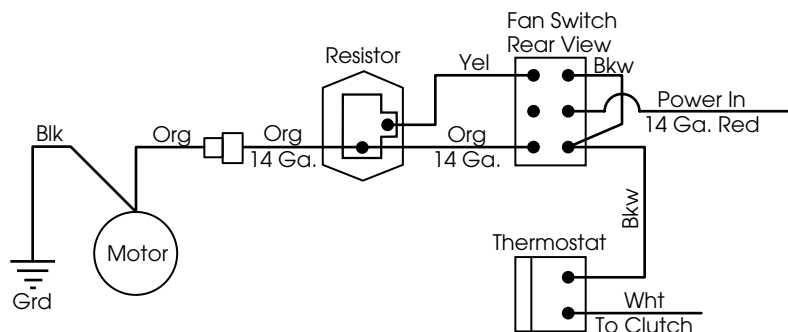


SPECIFICATIONS

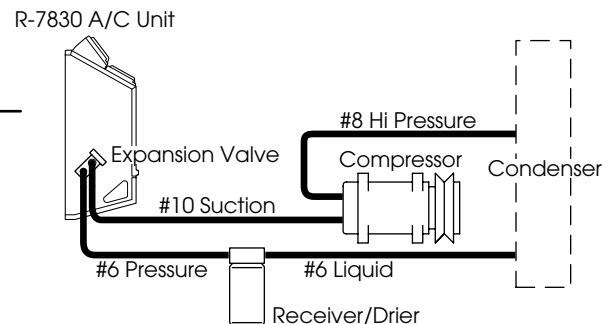
BTU's:	17,180 BTU/Hr with 36°F (4329 kcal/h w/2.2°C) Refrigerant Temp. and 80°F (26°C) Wet Bulb Entering Air
Air Flow:	260 CFM (442 m ³ /h)
Weight:	25 Lbs. (11 Kg)
Current Draw:	18 Amps @ 13.6 V.D.C. (Includes 4 Amps for A/C Clutch) 9 Amps @ 27.2 V.D.C. (Includes 2 Amps for A/C Clutch)

SCHEMATICS

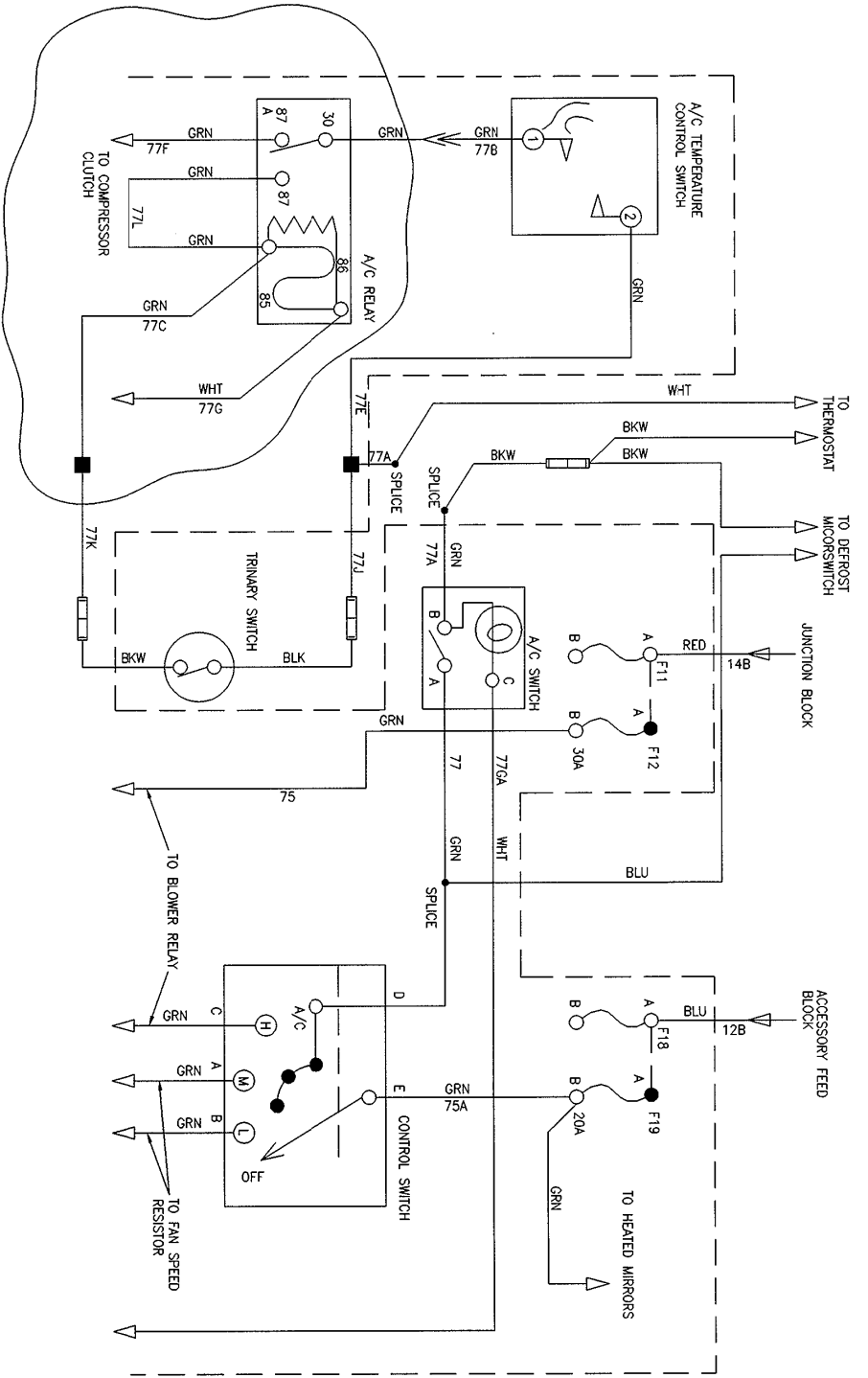
ELECTRICAL SCHEMATIC



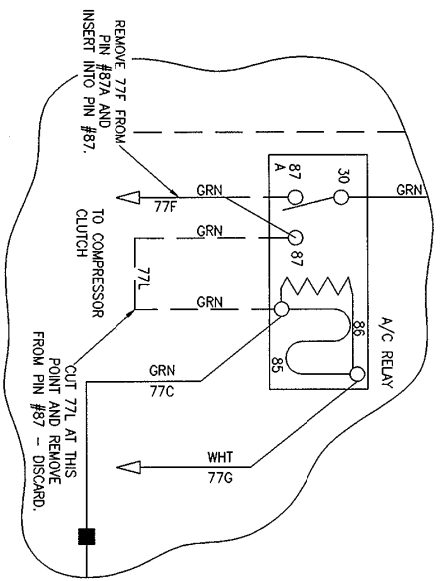
PLUMBING SCHEMATIC



Use 30 Amp fuse or breaker (customer supplied).
 WARNING: Unit warranty void if fused power source not used.

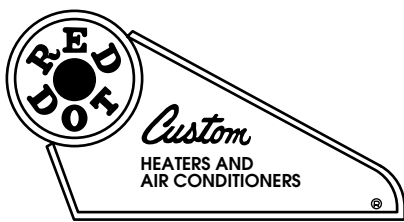


SHOWN FOR VEHICLES BUILT PRIOR TO 1999



FOR 1999 AND LATER VEHICLES MODIFY AS SHOWN

NAVISTAR'S
EXISTING WIRE HARNESS

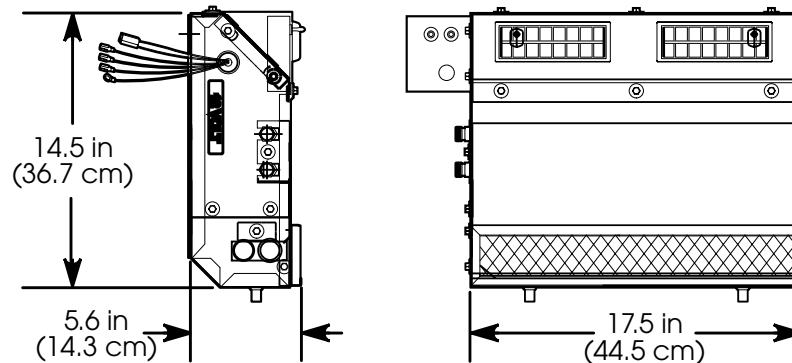


Compact Heater-A/C R-8500 Series

R-134a Compatible

TECHNICAL SALES BULLETIN AND SERVICE PARTS LIST

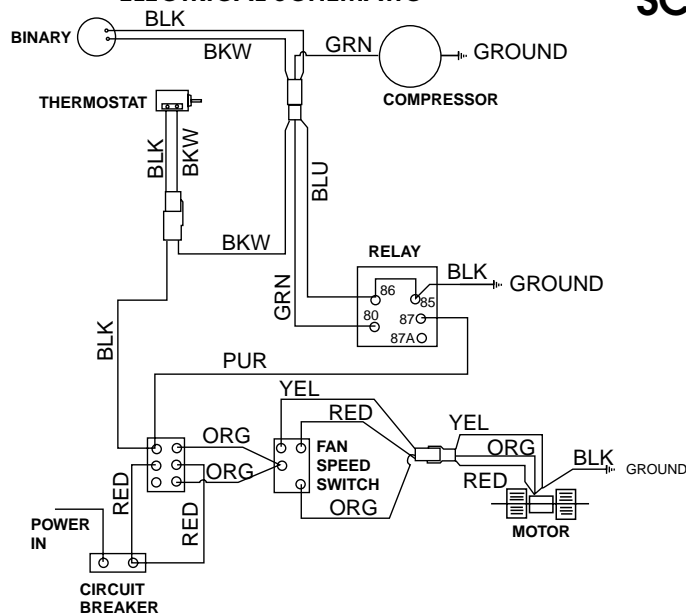
DIMENSIONS



SPECIFICATIONS

BTU's:	Heating - 22,000 BTU/Hr @ 100°F (5,544 kcal/h @ 37.8°C) Air Temp. Rise Cooling - 15,200 BTU/Hr with 36°F (3,830 kcal/h w/2.2°C) Refrigerant Temp. and 80°F (26.7°C) Wet Bulb Entering Air
Air Flow:	205 CFM (348 m ³ /h)
Weight:	24 Lbs (11 Kg)
Current Draw:	13.5 Amps at 13.6 VDC (Includes 4 Amps for A/C Clutch) 6.6 Amps at 27.2 VDC (Includes 2 Amps for A/C Clutch)

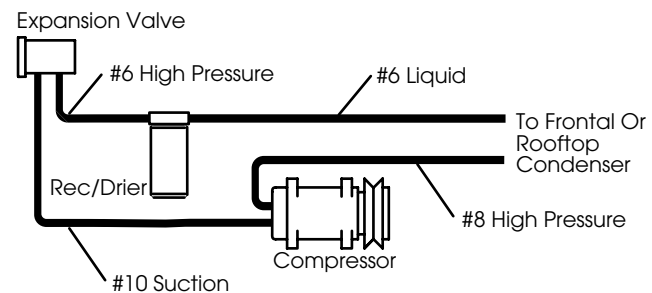
ELECTRICAL SCHEMATIC



RD-3-8263-0 (REV --)

SCHEMATICS

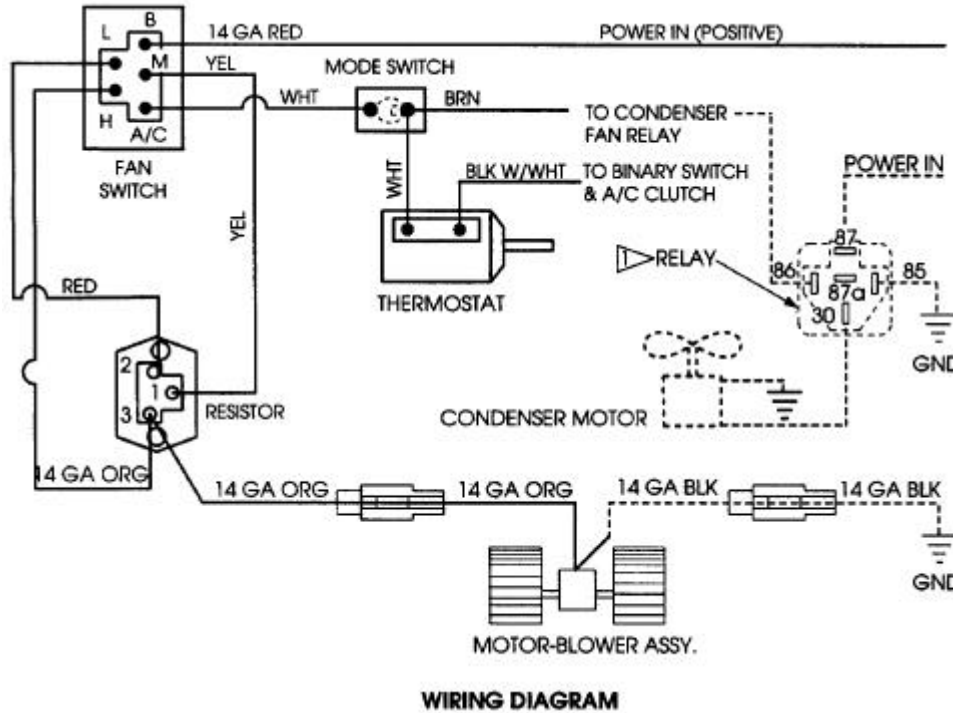
PLUMBING SCHEMATIC



F. Unit Wiring

NOTE: See Figure 6 for wiring diagram.

1. Disconnect battery.
2. Black W/White - Route to A/C clutch through low pressure protection switch if included.
3. Red Wire - Connect to an ignition switch supply through a 30 amp circuit breaker for 12 volt system; a 15 amp circuit breaker for 24 volt system.
4. Black Wire - Unit grounding wire.
5. Brown Wire - Route to condenser fan relay (remote mount condenser).



G. Final Assembly and Check

WARNING

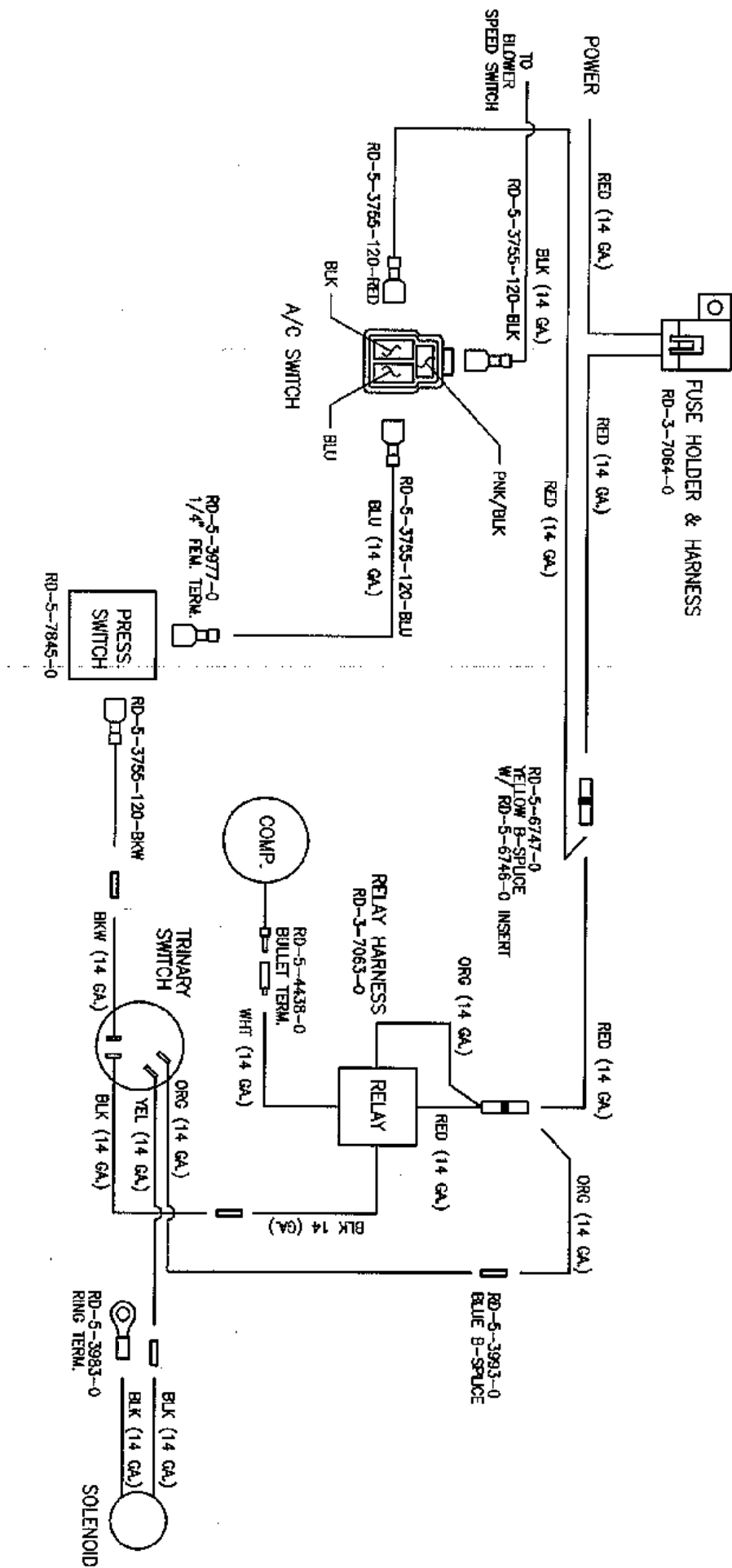
The owner/operator of the R-8545 unit accepts the responsibility for the proper and safe installation and maintenance of the unit. Special attention must be given to the mounting as well as the hose assembly and connections to be sure that they are securely fastened and in good condition to preclude the possibility of personal injury.

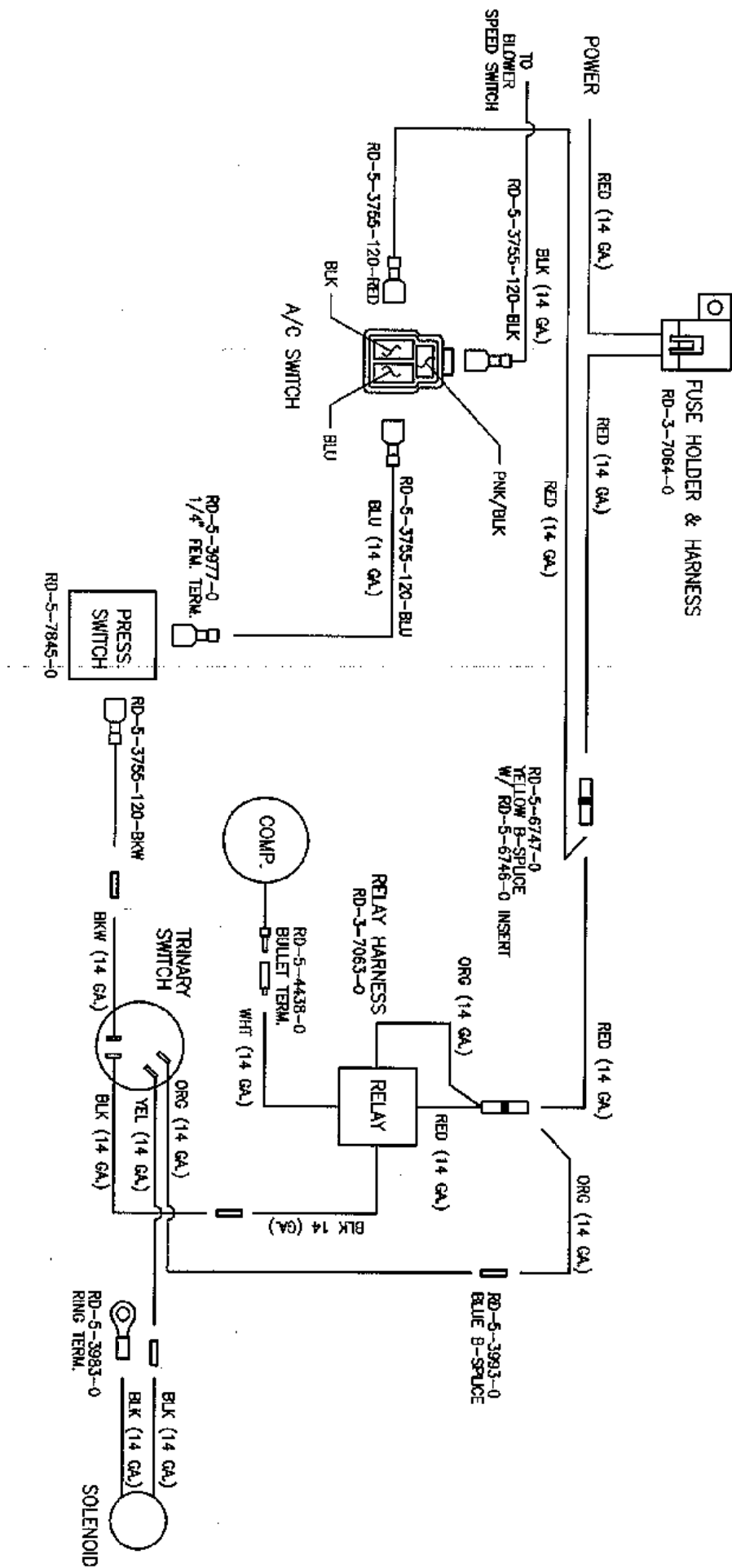
1. Connect the battery.
2. Evacuate the system, then charge with refrigerant.
3. Turn the ignition switch to the "On" position and place the fan speed switch on the highest position.
4. Place the Heat-A/C switch to the "A/C" position and the temperature control lever on the coldest position.
 - a. The clutch should click on and be engaged.
 - b. The evaporator blower should be turning at high speed.
5. Turn the fan switch to the "Off" position and compressor clutch should disengage.
6. Move the Heat-A/C switch to the "Heat" position and compressor should disengage.
7. Start engine and run at 1200-1500 rpm. Place the Heat-A/C switch to the "A/C" position and the fan speed on high. Check sight glass on receiver drier for bubbles. Add 6 to 8 ounces more R-12 after the sight glass just clears.

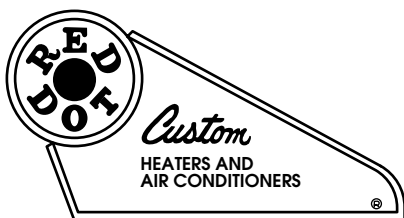
NOTE: Be aware that the sight glass may appear "milky" when charging with R-134a. Be careful not to overcharge the system.

8. Make sure clutch cycles off and on as system is operating

Red Dot Corporation P.O. Box 88790, Seattle, WA 98138 (425) 251-6897 Fax (425) 251-3934



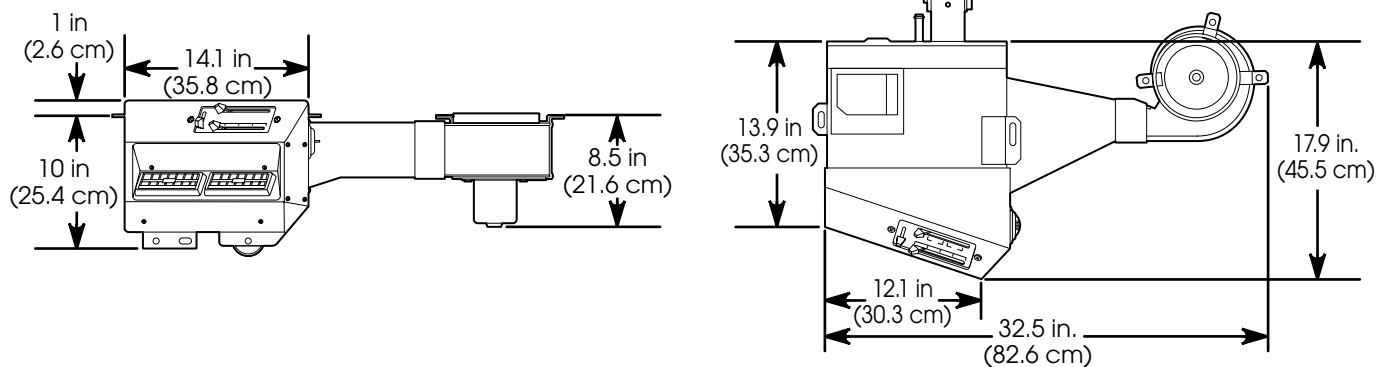




Heater-Air Conditioner Model R-8820/8150

TECHNICAL SALES BULLETIN AND SERVICE PARTS LIST

DIMENSIONS

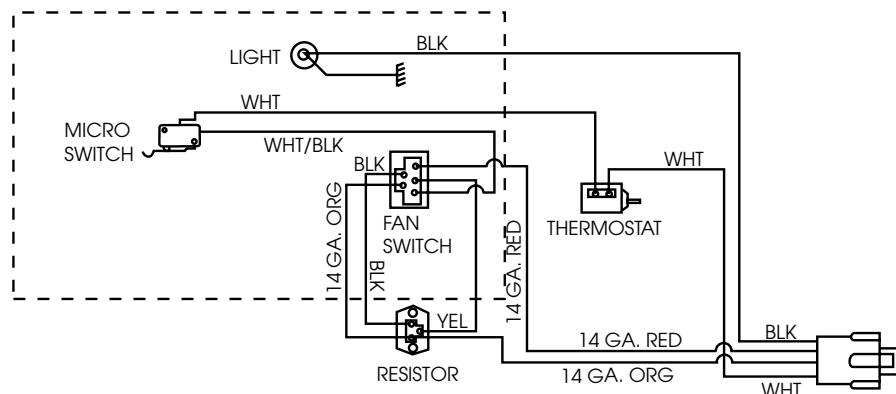


SPECIFICATIONS

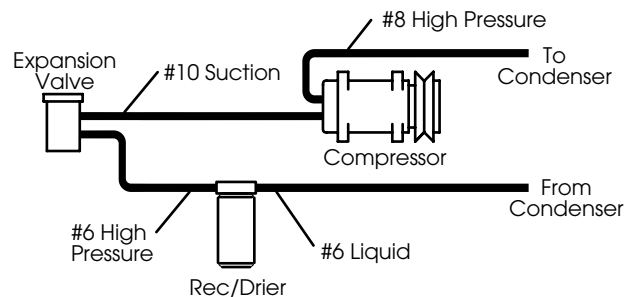
BTU's:	Heating - 27,000 BTU/Hr @ 100°F (6,804 kcal/h @ 37.8°C) Air Temp Rise Cooling - 20,000 BTU/Hr @ 36°F (5,040 kcal/h @ 2.2°C) Refrigerant Temp and 80°F (26.7°C) Wet Bulb Entering Air
Air Flow:	250 CFM (425 m ³ /h)
Weight:	34 Lbs (15 Kg)
Current Draw:	14 Amps @ 13.6 VDC

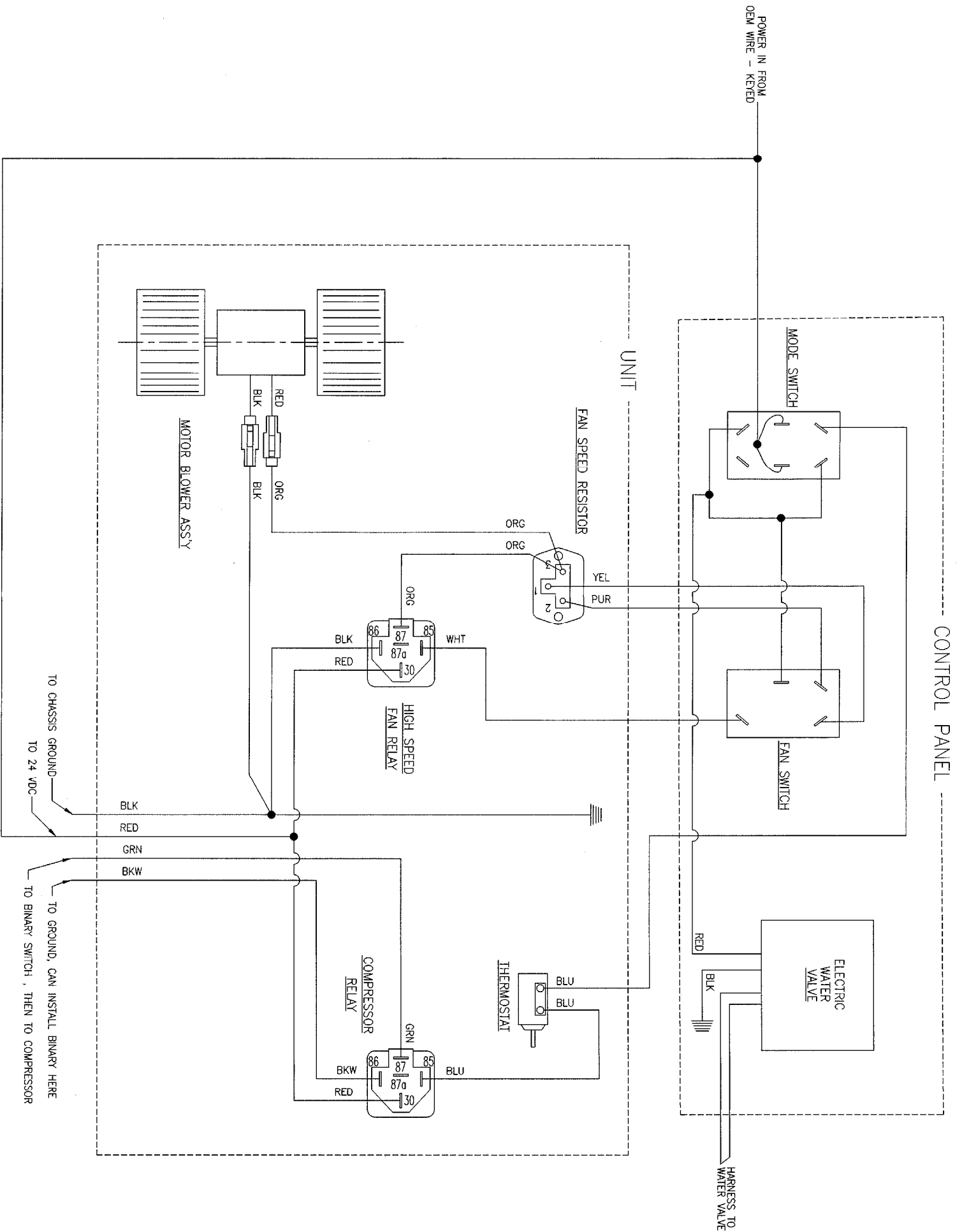
SCHEMATICS

ELECTRICAL SCHEMATIC



PLUMBING SCHEMATIC

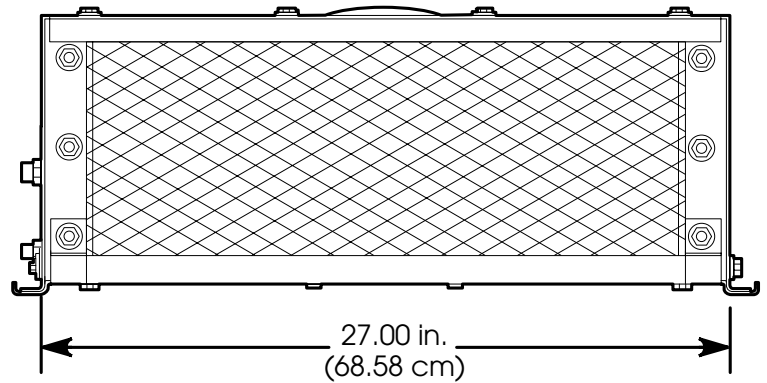
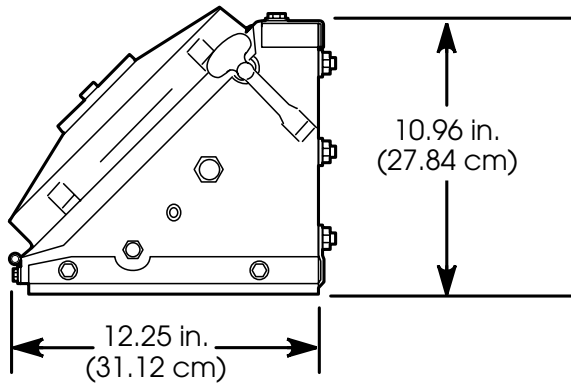






Red Dot Remote Mount Condenser R-9720 Series

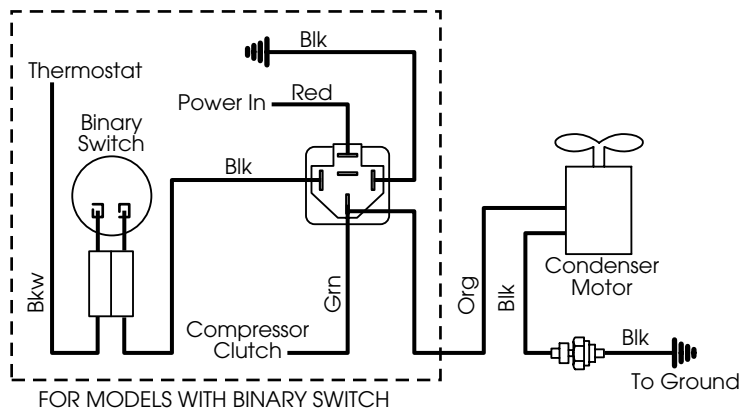
TECHNICAL SALES BULLETIN AND SERVICE PARTS LIST DIMENSIONS



SPECIFICATIONS

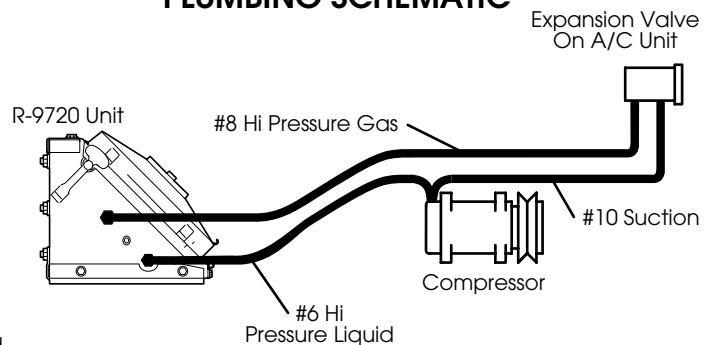
- Capacity:** 27,000 BTU/Hr (6804 kcal/h) @ 150°F Condensing Temp. and 100°F Entering Air
- Air Flow:** 740 CFM (1257 m³/h)
- Current Draw:** 12.3 Amps @ 13.6 Volts D.C.
6.17 Amps @ 27.2 Volts D.C.
- Condenser Coil:** Copper Tubing, Aluminum Fins and Plated Steel Headers
- Motor:** Single Speed, Long Life Sealed With Pre-Lubricated Bearings
- Fan:** 10" Dia., Pancake Motor Fan Assembly
- Weight:** 38 Lbs. (17.24 Kg.)

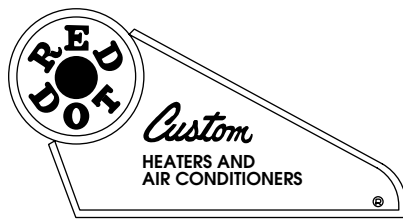
ELECTRICAL SCHEMATIC



SCHEMATICS

PLUMBING SCHEMATIC

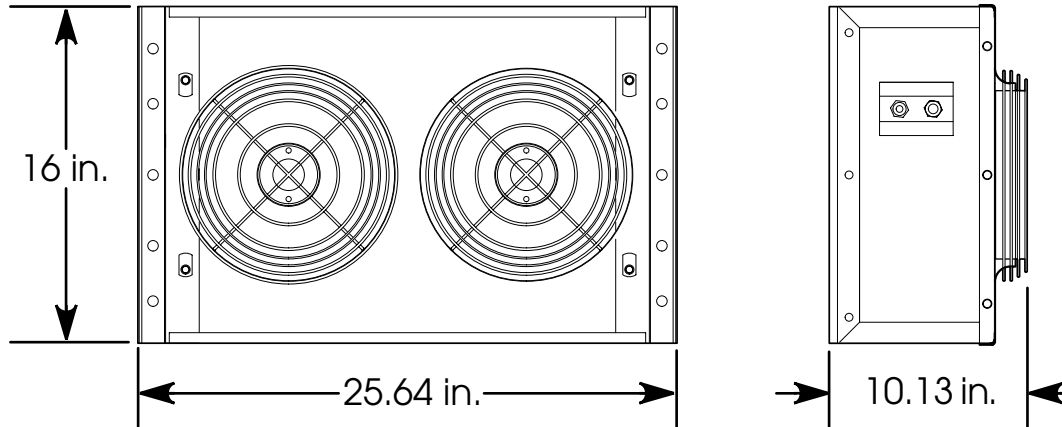




Red Dot Remote Mount Condenser R-9725 Series

TECHNICAL SALES BULLETIN AND SERVICE PARTS LIST

DIMENSIONS

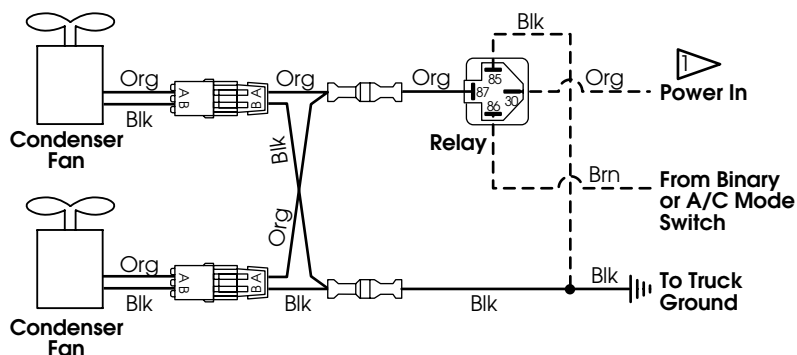


SPECIFICATIONS

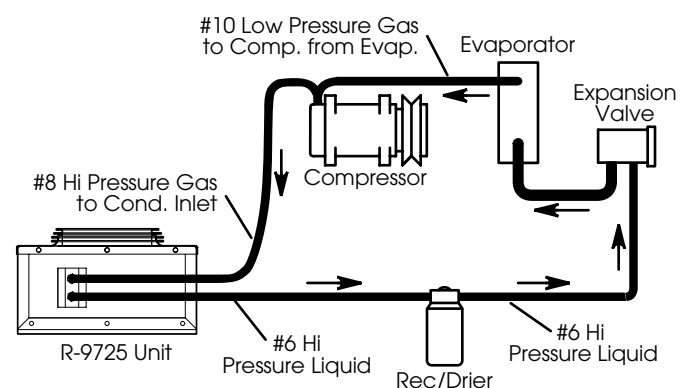
Capacity:	33,000 (97 KW) BTU/Hr @ 150°F (65.6°C) Condensing Temp. and 100°F (37.8°) Entering Air
Air Flow:	850 CFM (24.1 M ³ /Min)
Current Draw:	20 Amps @ 13.6 Volts D.C. 10 Amps @ 27.2 Volts D.C.
Condenser Coil:	Copper Tubing, Aluminum Fins and Plated Steel Headers
Motor:	Single Speed, Long Life Sealed With Pre-Lubricated Bearings
Fan:	Two 8" Dia., 5 Bladed Fans Producing 850 CFM



SCHEMATICS

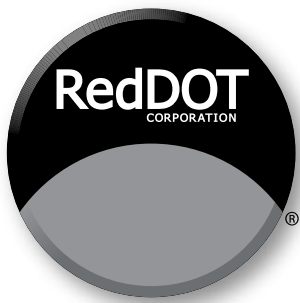
ELECTRICAL SCHEMATIC



PLUMBING SCHEMATIC



 USE 30 AMP FUSE OR CIRCUIT BREAKER FOR 12V SYSTEMS (CUSTOMER SUPPLIED)
 USE 15 AMP FUSE OR CIRCUIT BREAKER FOR 24V SYSTEMS (CUSTOMER SUPPLIED)
 --- HIDDEN LINES INDICATE CUSTOMER SUPPLIED COMPONENTS



R-9727 Rooftop Air Conditioner

INSTALLATION INSTRUCTIONS

(FOR NEGATIVE GROUND ELECTRICAL SYSTEMS, POSITIVE GROUND SEE SECTION D)

NOTE

1. Please read instructions all the way through, making sure you have all the parts and tools.
2. While working on or around a vehicle disconnect the battery to prevent accidental start-up or electrical shorts.
3. It has been established that R-12 refrigerant does deplete the earth's protective ozone layer. Use care so as not to release this material into the atmosphere.
4. A/C systems operate under high pressure. At 77°F the refrigerant container will be pressurized to approximately 80psi. Use caution when working with these materials. Goggles are recommended.
5. To function properly the A/C system must be clean and dry. Keep caps or protective covers on all hoses and fittings until final assembly.
7. **IMPORTANT:** Attach appropriate SAE warning label to vehicle.
8. A compressor, bracket, belts and refrigeration hoses are required to complete the installation. These items may be obtained from your RED DOT Distributor.
9. The compressor must have sufficient capacity to allow the unit to deliver the rated BTU output. A 10 cubic inch compressor (Tecumseh HG1000, Sankyo SD-510 or equiv.) turning faster than 1,750 rpm is required.
10. A fresh air filter, RD-5-3905-0 is available for use in dusty environments. Replacement element for filter is Donaldson No. P-101246 (not stocked by Red Dot).
11. Galaxy hose with crimp fittings are recommended for use with R-134a systems.
12. In applications with significant ram air to the condenser (greater than 15 MPH) it is recommended that the compressor clutch be wired using a relay.

A. MOUNTING THE UNIT ON CAB ROOF

Choose a mounting location for the unit that will not destroy or void warranty or effectiveness of either the Roll Over Protection Structure or Falling Object Protection Structure.

1. Remove the headliner or loosen enough to drop the center portion. (Disregard if no headliner).
2. Determine the most suitable location for mounting the air conditioning unit. (See Figure 1)
 - a. Mark the front-to-rear centerline of the cab on the outside of the cab roof.
 - b. Place the mounting template on the roof using the centerline as a guide.
 - c. Insure that air flow to the unit is not obstructed.
 - d. Do not mount the unit with the front lower than the rear, as this will prohibit water drainage.
 - e. Avoid cutting roof stiffeners if possible. If stiffeners are cut or roof is weakened due to the cut-out, reinforcement may be required.
3. Tape the template to the roof at the desired location. Mark the roof cut-out area (scribe the roof).
4. Cut the roof where marked and drill the 3/8" dia. mounting holes. Remove burrs and sharp edges.
5. Temporarily install the headliner and trace the cut-out onto it from the roof. Remove the headliner and cut out the area marked. Use caution and do not cut headliner opening larger than roof opening. (Check against template if in doubt).
6. Should roof reinforcing be required, fabricate and install at this time.
7. Clean the outside roof area around the cut-out and mounting holes using a mild solvent.

ROOFTOP AIR CONDITIONER INSTALLATION SCHEMATIC

CHECK INSTALLATION KIT TO MAKE CERTAIN THAT ALL PARTS LISTED ARE INCLUDED.

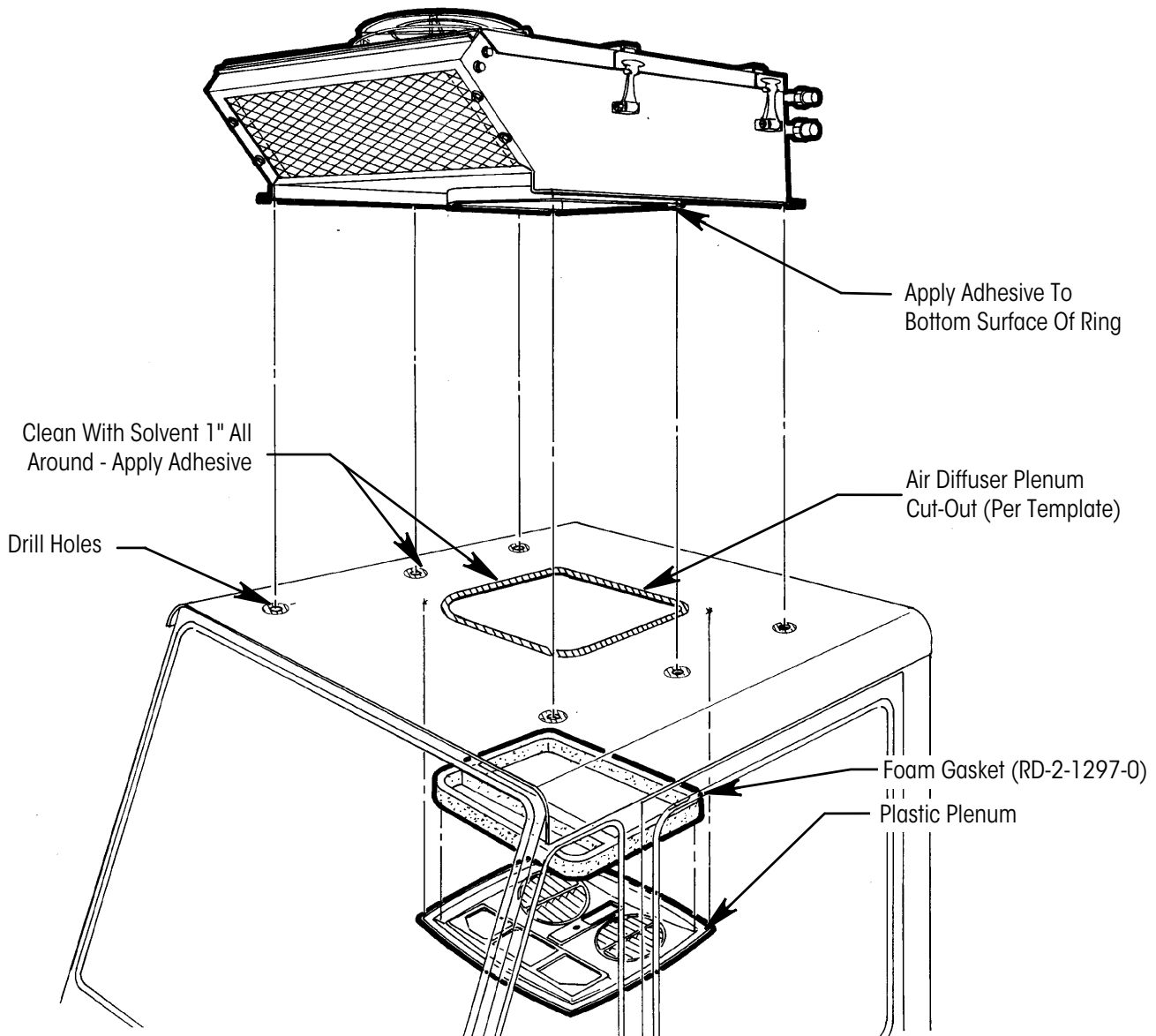


Figure 1

8. Apply a thin film of adhesive 1" wide around upper surface of roof cut-out and mounting holes. Apply sealer to the face of the sealing ring on the unit. See Figure 1.
9. Set unit on cab.
10. Apply sealant around bolts and nuts to prevent water leakage into cab.

B. REFRIGERATION HOSE INSTALLATION

1. Install reusable or push on fittings on hose as shown in Figure 2. #12 suction line is recommended in place of #10 for increased cooling capacity. Use step-up fitting. Be sure to clean out refrigeration hose with clean, dry air after cutting. Galaxy hose with crimp fittings are recommended for use with R-134a. Lubricate O-rings with mineral oil.
2. Install "O" Rings and connect hoses to fittings on unit.
3. Clamp hoses within unit using clamps provided. Cut off end of mounting cap screw if it interferes with hose.
4. Route hoses over the top of cab and down the back wall to the compressor. On tilt cab vehicles, route hose to the cab pivot point and then to compressor.
5. Use clamps provided to secure hoses and prevent hose movement. Hoses must not come in contact with hot vehicle components, exhaust manifolds, etc., and they should not be subjected to mechanical abrasions.

C. DRAIN HOSE INSTALLATION

1. Route the drain tubes to the unit so that they travel in a downward direction from the unit.
2. Cut off the $\frac{3}{16}$ O.D. tubes to length and connect to fittings on unit. Secure drain tubes with tie wraps. Attach to refrigeration hoses only if they run downhill properly.
3. Red Wire: Connect to an ignition switch supply through a 30 amp circuit breaker (15amp/24V).
4. White Wire: Connect to compressor clutch. Route the wire around the hinge point before connecting to compressor clutch on tilt-cab installations.

D. WIRING

Note: a. Unit is wired for negative ground.

For positive ground systems, reverse both motor leads on condenser motor and evaporator motor.

b. Unit is internally grounded.

1. Disconnect battery.
2. Route red & white wire through $\frac{3}{4}$ slot in plenum ring.
3. Red Wire: Connect to an ignition switch supply through a 30 amp circuit breaker (15 amp/24V).
4. White Wire: Connect to compressor clutch. Route the wire around the hinge point before connecting to compressor clutch on tilt-cab installations.

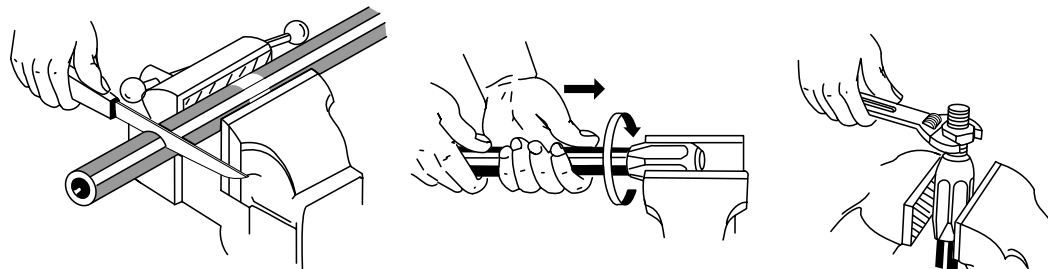
E. AIR DIFFUSER PLENUM

1. Install headliner. Make sure that wire loom exits plenum ring properly and is not pinched.
2. Place one foam gasket in plastic plenum assembly. If headliner is over 1 inch thick, glue two foam gaskets together. An extra foam gasket may be ordered (part number RD-2-1297-0) if required.
3. Place the plenum assembly up to the unit and start one M5 x 0.8 x 75mm screw.
4. Attach the switch and thermostat to the plenum using 7/16-28 nuts (use two with switch, one with thermostat).
5. Start the remaining three M5 x 0.8 x 75mm screws.
6. Tighten the four plenum assembly screws evenly until the plenum fits snugly against headliner. Make sure that gasket does not shift out of place and electrical connectors remain attached.
7. Align D-flat and push on two knobs.

REFRIGERANT HOSE INSTALLATION

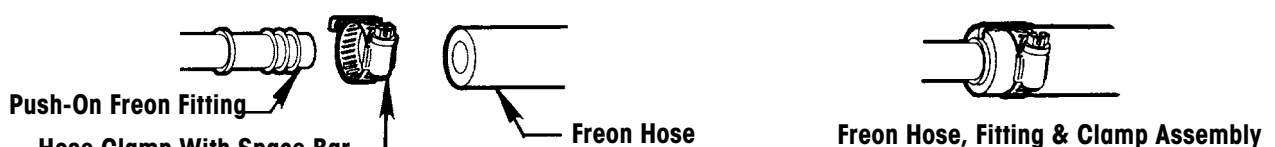
MAKE CERTAIN O-RINGS ARE ON ALL REFRIGERATION FITTINGS BEFORE SECURING.

Figure 2 – REUSABLE FITTINGS (R-12 SYSTEMS ONLY)



1. Cut hose to proper length.
2. Screw hose into collar (left hand thread) until hose bottoms. Back out 1/4 turn.
3. Screw fittings into collar until insert bottoms. (Lubricate insert and I.D. of hose for ease of assembly).

Figure 3 – PUSH ON FITTING (R-12 SYSTEMS ONLY)

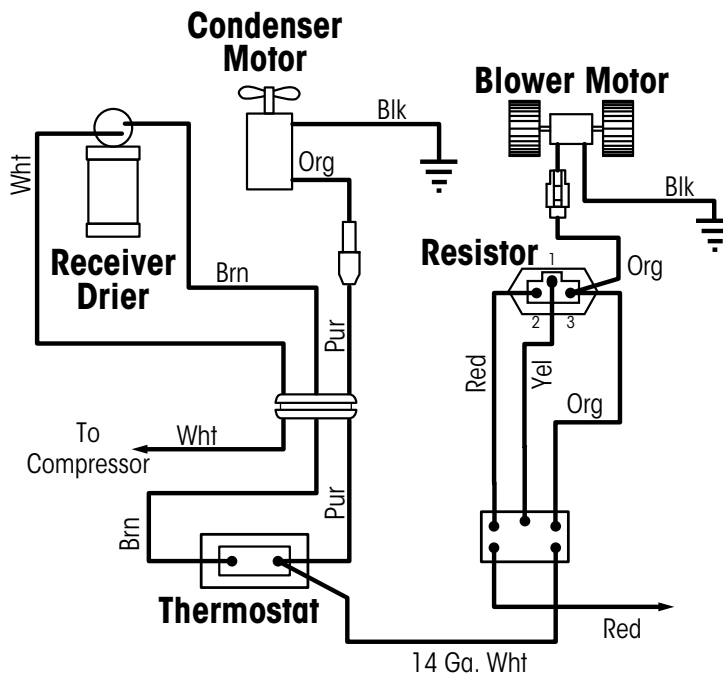


1. Cut hose as above in Fig. 2
2. Push hose onto fitting until hose bottoms against stop
3. Attach Hose clamp to hose assembly with space bar over cut end of hose as show

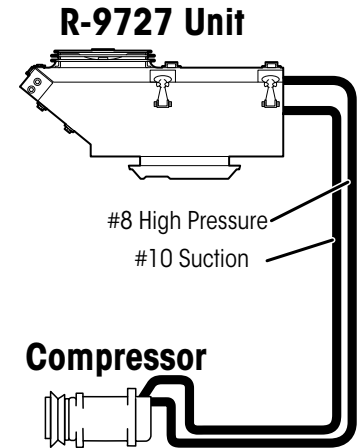
FINAL ASSEMBLY AND CHECK

1. Evacuate the system, test for leaks and charge with refrigerant.
The unit requires 4 to 6 pounds depending on hose length.
2. Connect the battery.
3. Turn the ignition switch to the "on" position, turn the thermostat to the coldest point and the fan switch to "high"
 - a. The clutch should click on and be engaged. If not, see Step 8.
 - b. The condenser fan and evaporator blower should be turning at high speed.
4. Turn the fan switch to medium and low positions and check that the evaporator blower slows down.
5. Turn the thermostat off and clutch should disengage.
6. Start engine and run at 1500-2000 rpm. Turn unit on "full cold", "high fan". Check sight glass on receiver-drier for bubbles, Add 6 to 8 ounces more R-12 after the sight glass just clears.
7. Check thermostat to be sure clutch cycles on and off.
8. If clutch does not engage the system may not have been charged to high enough pressure to actuate the Binary™ switch. Place a jumper wire across the switch and run system until it is fully charged then remove jumper wire.

ELECTRICAL SCHEMATIC

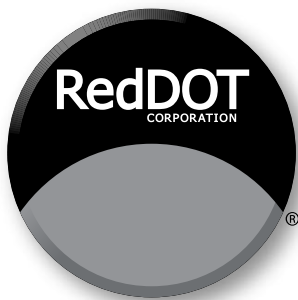


PLUMBING SCHEMATIC



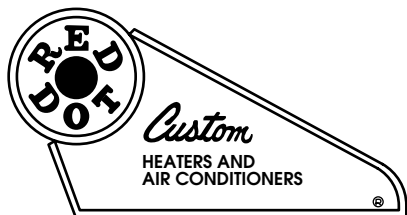
NOTE: #12 suction line recommended for increased efficiency.

WARNING: Unit warranty void if fused power source not used.



Aftermarket Office P.O.Box 58270 Seattle, WA 98138
(206) 575-3840 fax (206) 575-3840

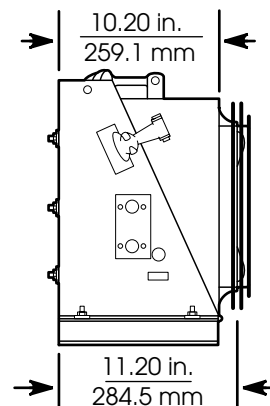
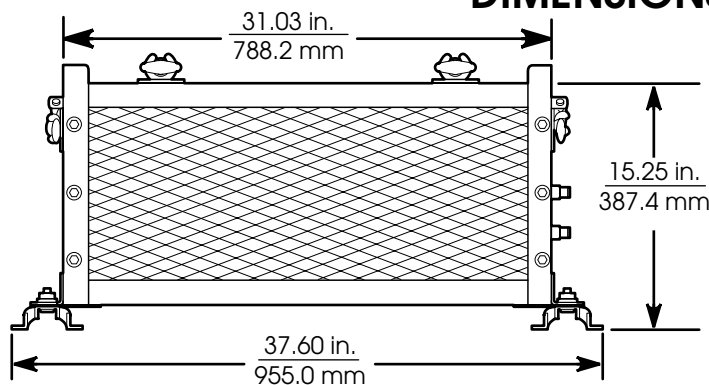
DISTRIBUTED BY:



Red Dot Heavy Duty Condenser R-9730 Series

TECHNICAL SALES BULLETIN AND SERVICE PARTS LIST

DIMENSIONS

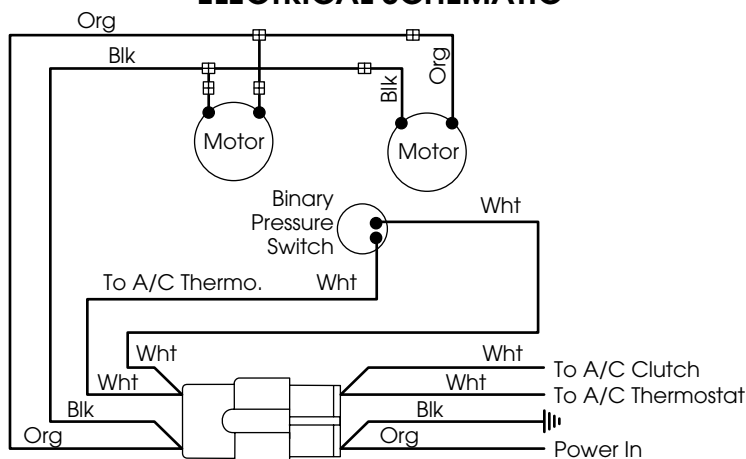


SPECIFICATIONS

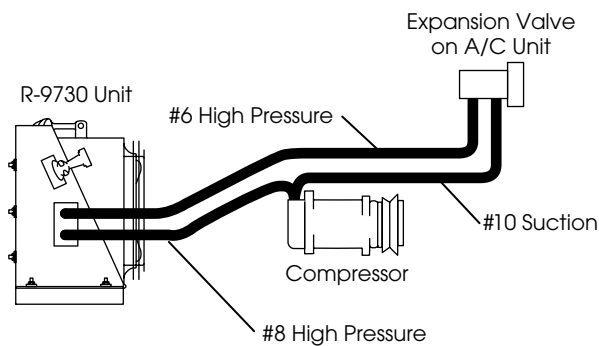
- Capacity:** 44,500 BTU/Hr (13.04 KW/Hr) @ 150°F (65.5°C) Condensing Temperature And 100°F (37.8°C) Entering Air
- Weight:** 74 Lbs. (33.6 Kg), Dry
- Condenser Coil:** Copper Tubing, Aluminum Fins And Plated Steel Headers
- Motors:** Two Single Speed, Long Life Sealed With Pre-Lubricated Bearings
- Current Draw:** 26 Amps @ 13.6 VDC (Includes 4 Amp for A/C Clutch)
13 Amps @ 27.2 VDC (Includes 2 Amp for A/C Clutch)
- Fan Blades:** Two 10" Dia., 4-Bladed Fans Producing 1500 (42.5 M³/Min) C.F.M.
- Receiver Drier:** High Capacity With Red Dot Binary™ Switch.

SCHEMATICS

ELECTRICAL SCHEMATIC



PLUMBING SCHEMATIC

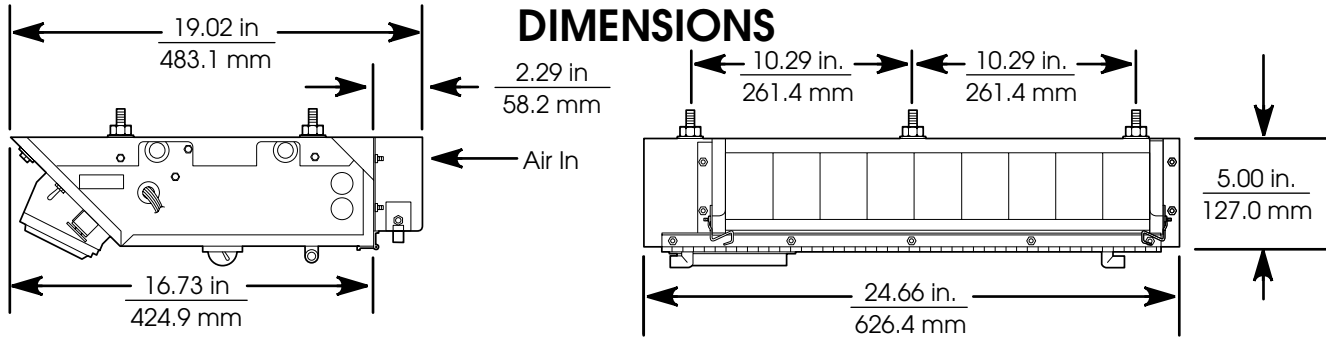


Receiver Drier Located Inside Unit For Easy Access.



Red Dot Air Conditioner With Heater Option R-9750 Series

TECHNICAL SALES BULLETIN AND SERVICE PARTS LIST



SPECIFICATIONS

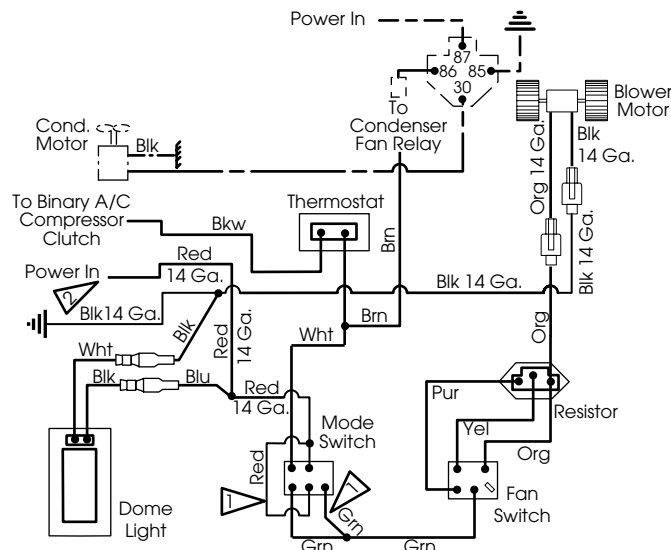
BTU's Per Hour: Cooling- 17,000 Btu/Hr (4.98 K.W./Hr.) @ 80°F. (26.7°C) Wet Bulb and 36°F. (2.20°C) Refrigerant Temp.
 Heating- 25,600 BTU/Hr (7.50 K.W./Hr.) @ 100° F. (37.8°C)

Air Flow: 240 C.F.M. (6.80 M³/MIN)

Current Draw: 13 Amps @ 13.6 Volts (Includes 4 Amps for A/C Clutch)
 6.5 Amps @ 27.20 Volts (Includes 2 Amps for A/C Clutch)

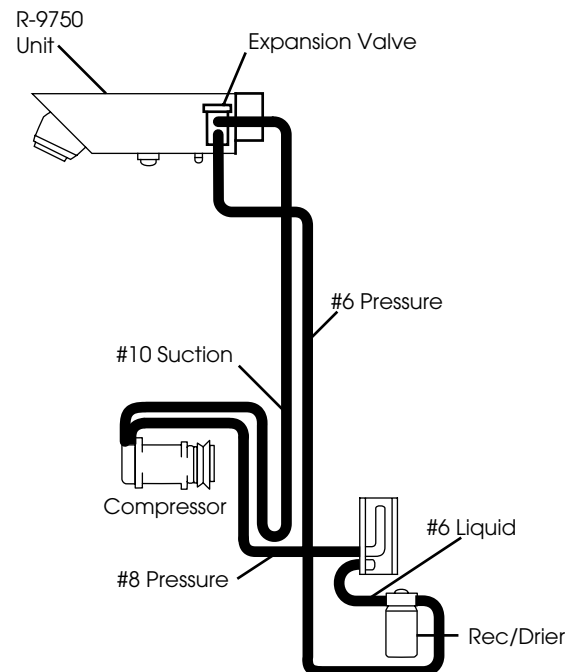
SCHEMATICS

ELECTRICAL SCHEMATIC



- 1 Not Used A/C Only
- 2 Use 15 Amp Fuse or Breaker for 24V System (Cust. Supplied)
Use 30 Amp Fuse or Breaker for 12V System (Cust. Supplied)

PLUMBING SCHEMATIC



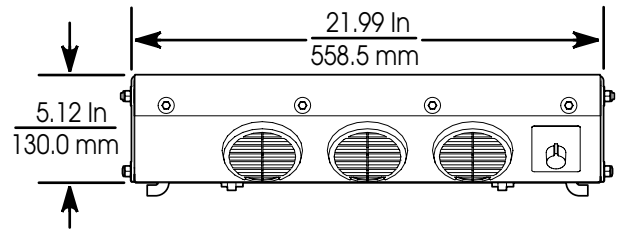
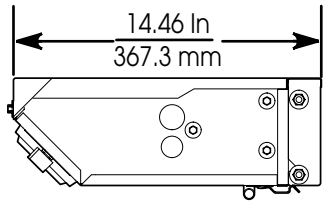
Note: All Wires Are 16 Ga Unless Otherwise Specified
 WARNING: Unit warranty void if fused power source not used.



Red Dot Air Conditioner R-9755 Series

TECHNICAL SALES BULLETIN AND SERVICE PARTS LIST

DIMENSIONS

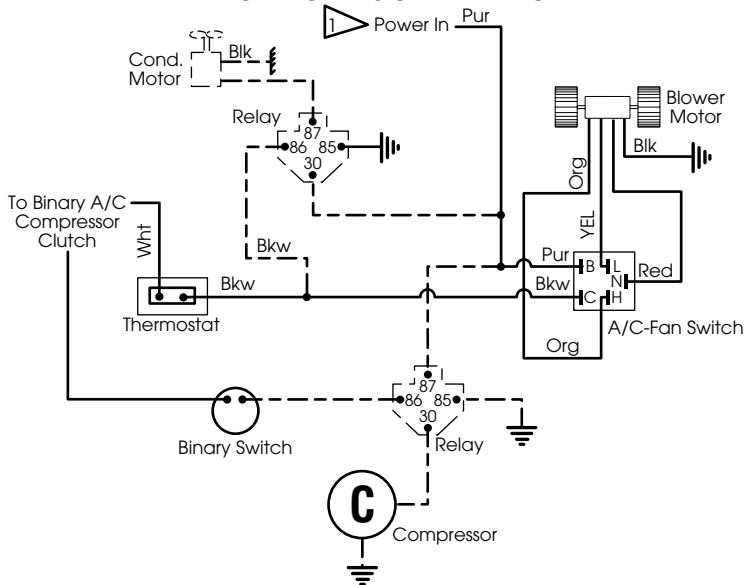


SPECIFICATIONS

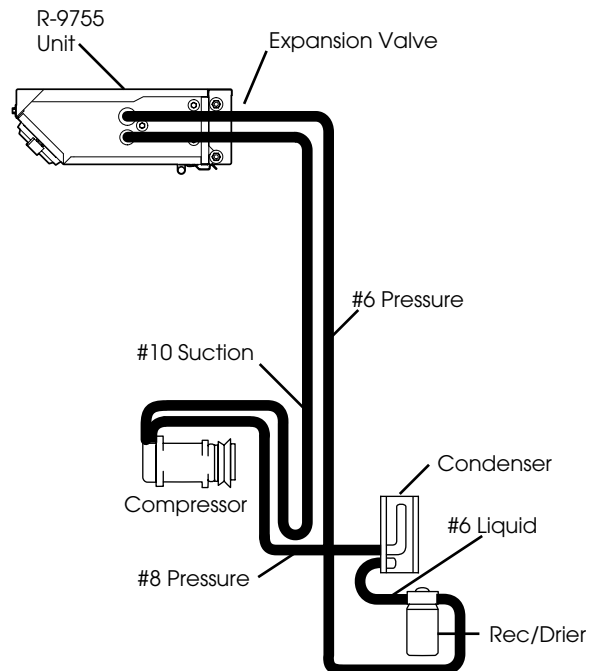
- BTU's Per Hour:** Cooling- 17,000 Btu/Hr (4.98 K.W./Hr.) @ 80°F. (26.7°C) Wet Bulb and 36°F. (2.20°C) Refrigerant Temp.
- Air Flow:** 250 C.F.M.
- Current Draw:** 14 Amps @ 13.6 Volts (Includes 4 Amps for A/C Clutch)
7 Amps @ 27.2 Volts (Includes 2 Amps for A/C Clutch)

SCHEMATICS

ELECTRICAL SCHEMATIC

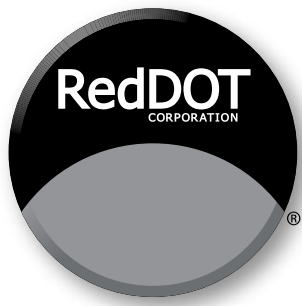


PLUMBING SCHEMATIC



Use 15 Amp Fuse or Breaker for 24V System (Cust. Supplied)
Use 30 Amp Fuse or Breaker for 12V System (Cust. Supplied)

Note: All Wires Are 16 Ga Unless Otherwise Specified
WARNING: Unit warranty void if fused power source not used.



Rooftop Heater/Air Conditioner Model R-9757

INSTALLATION INSTRUCTIONS

NOTE:

1. Please read instructions all the way through, making sure you have all the parts and tools.
2. While working on or around a vehicle, disconnect the battery to prevent accidental start-up or electrical shorts.
3. It has been established that R-12 refrigerant does deplete the earth's protective ozone layer. Use care so as not to release this material into the atmosphere.
4. A/C systems operate under high pressure. At 77°F the R-134a container will be pressurized to approximately 80 psi. Use caution when working with these materials. Goggles are recommended.
5. To function properly the A/C system must be clean and dry. Keep caps or protective covers on all hoses and fittings until final assembly.

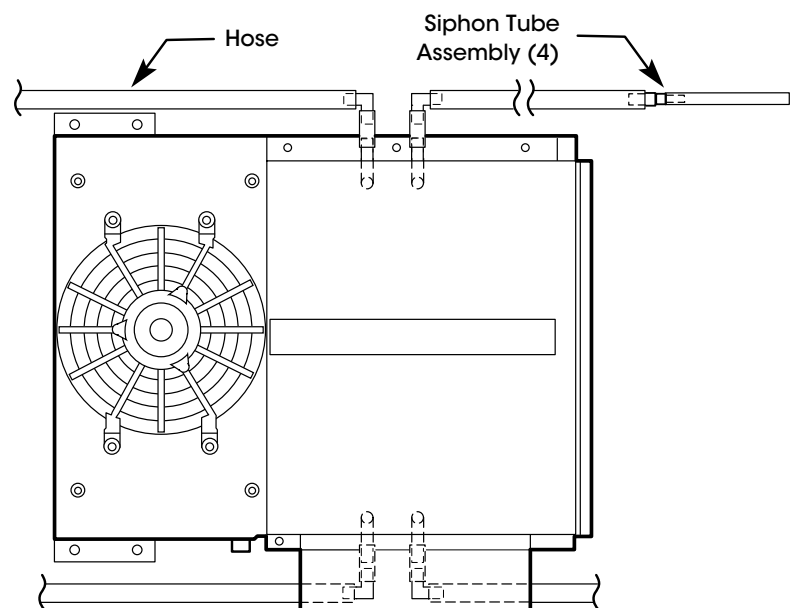
BEFORE STARTING

1. A compressor, compressor bracket, belts and refrigerant hoses are required to complete the installation. These items may be obtained from your RED DOT Distributor.
2. The compressor must have sufficient capacity to allow the unit to deliver the rated BTU output. A 8 cubic inch compressor turning faster than 1,750 rpm is required.
3. A fresh air filter, 78R 5000 is available for use in dusty environments. Replacement element for filter is 78R 5200. For pressurizing the cab and drawing fresh air, 78R 5110 remote mount filter is also available with booster blower (73R 9202 - 12V or 73R 9204 - 24V).

MOUNTING THE UNIT ON CAB ROOF

1. Connect drain hose assembly as provided in the installation kit (RD-3-7142) to the unit. (See Figure 1)
2. Determine the location for mounting the air conditioner unit per Red Dot template.
 - a. Refer to Figure 2.
 - b. Mark the front-to-rear centerline of the cab on the outside of the cab roof.
 - c. Place the mounting template on the roof using the centerline as a guide.

DRAIN HOSE INSTALLATION
Figure 1



- d. Ensure that air flow to the unit is not obstructed.
 - e. Do not mount the unit with the front lower than the rear, as this will prohibit water drainage.
 - f. Avoid cutting roof stiffeners if possible. **If stiffeners are cut or roof is weakened due to the cut-out, reinforcement may be required.**
3. Tape the template to the roof at the desired location. Mark the roof cut-out area (scribe the roof).
 4. Cut the roof where marked and drill the 1/2" dia. mounting holes. Remove burrs and sharp edges.
 5. Clean the outside roof area around the cut-out and mounting holes using a mild solvent.
 6. Apply a bead of sealant around upper surface of roof cut-out and mounting holes. Completely fill bolt holes with silicone to ensure proper sealing. Also, place rubber washers on all mounting holes to prevent water leakage into the cab. See Figure 2.
 7. Set unit on cab.
 8. Apply sealant around bolts and nuts to prevent water leakage into cab.
 9. Place the reinforcing stiffeners from inside of cab against mount holes and install six bolts. Then install 4 condenser mount bolts.

NOTE: Apply adhesive sealant to the mounting hole locations as needed.

REFRIGERANT HOSE INSTALLATION

1. Cut hose to proper length. Make cut at right angles to centerline of hose. Blow cut hose with clean dry air after cutting to insure no foreign particles are left in hose. Install the appropriate steel bead lock fitting on the end of the hose and crimp fitting using crimper No. 79R 1510. A #12 suction line is recommended in place of the #10 for increased cooling capacity. Use a step up fitting to accomplish this.
2. Use 70R4691S Fitting #10-12 on the suction line.
3. Route hoses over the top of cab and down the back wall to the compressor. On tilt cab vehicles, route hose to the cab pivot and then to compressor.
4. Use clamps provided to secure hoses and prevent hose movement. Hoses must not come in contact with hot vehicle components, exhaust manifolds, etc., and they should not be subjected to mechanical abrasions.

SECURE DRAIN HOSES

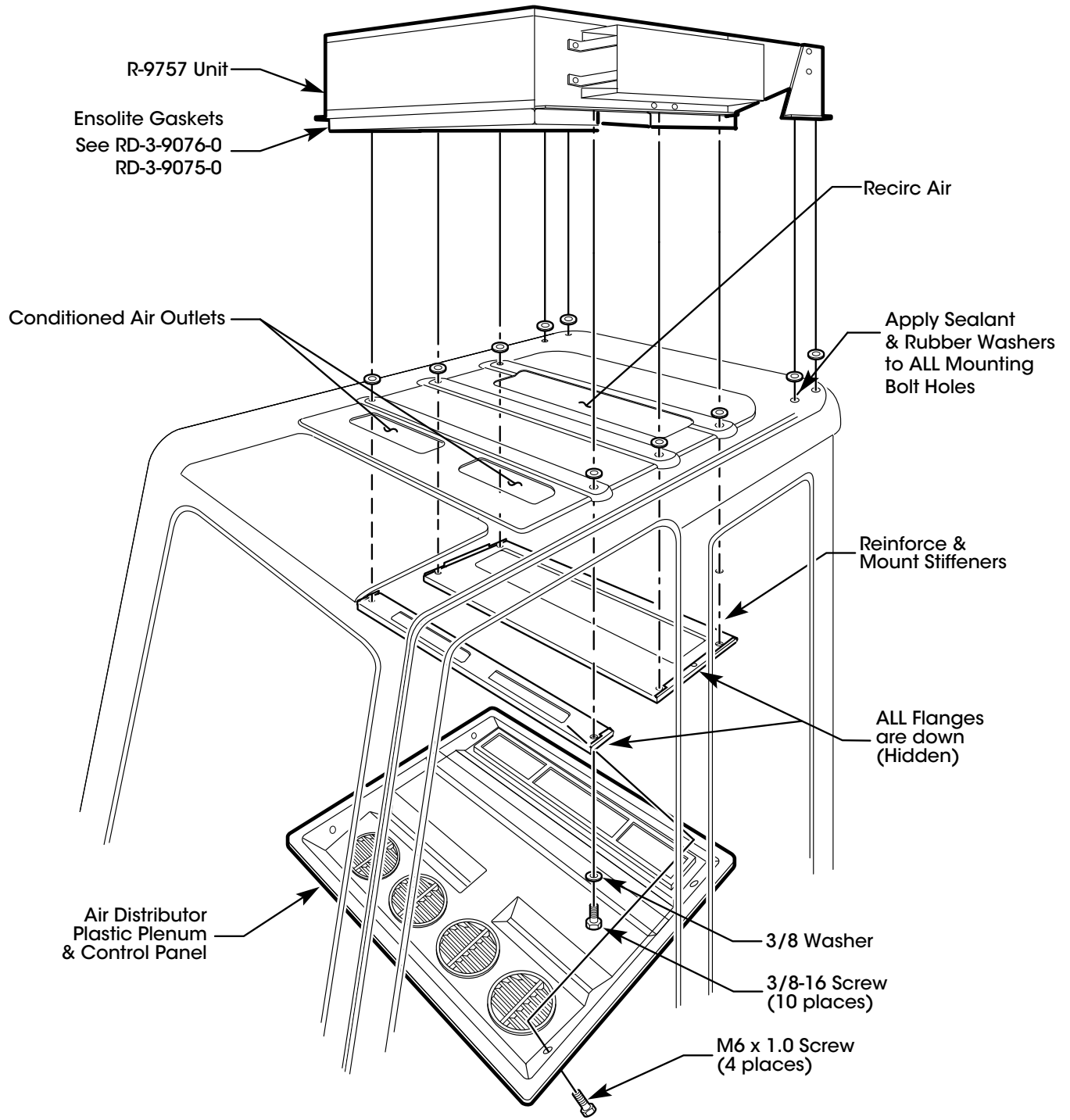
1. Secure drain tube with tie wraps. Attach to refrigerant hoses only if they run downhill properly.
NOTE: Be cautious not to overtighten tie wraps. Otherwise the drainage may be restricted.
2. Inspect to make sure that drain tubes are not kinked, especially at back of cab.

WIRING

NOTE: a. Unit is wired for negative ground. For positive ground systems, reverse both motor leads on condenser motor and evaporator motor.
b. Unit is internally grounded.

1. Disconnect battery.
2. Connect plenum/control panel assembly to unit connectors.
3. Red Wire: Connect to an ignition switch supply through a 35 amp circuit breaker (20 amp/24V).

4. Black/White Wire: Connect to compressor clutch. Route the wire around the hinge point before connecting to compressor clutch on tilt-cab installations.
5. If clutch does not engage the system may not have been charged to high enough pressure to actuate the pressure switch. Place a jumper wire across the switch to start system.
6. See Wiring Schematic provided in installation kit (RD-3-9094).



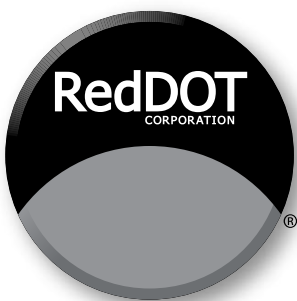
ROOFTOP AIR CONDITIONER INSTALLATION
Figure 2

AIR DIFFUSER AND RECIRC PLENUM

1. Place cable control converter through control panel ("D" hole from inside of plenum) and use control knob provided in the kit (71R 4040) to secure it against control panel. (connect control panel wiring to unit wiring).
2. Place the plenum assembly up to the unit and start one of the mount bolts.
3. Start the remaining bolts.
4. Tighten unit/plenum assembly bolts evenly until the plenum fits snugly against headliner and reinforcement stiffeners.

FINAL ASSEMBLY AND CHECK

1. Evacuate the system, test for leaks and charge with R-134a. The unit requires 2.5 to 3.10 pounds depending on hose lengths. If clutch does not engage the system may not have been charged to high enough pressure to actuate the pressure switch. Place a jumper wire across the switch to start system.
2. Connect the battery.
3. Turn the ignition switch to the "on" position.
 - a. The clutch should click on and be engaged.
 - b. The evaporator blower should be turning at high speed.
4. Turn the fan switch to medium and low positions and check that the evaporator blower slows down.
5. Turn the fan switch to the "off" position and compressor clutch should disengage.
6. Start engine and run at 1500-2000 rpm. Turn unit on "full cold", "high fan". Check sight glass on receiver-drier for bubbles. Add 6 to 8 ounces more refrigerant after the sight glass just clears. (R-12 only) **NOTE:** Check gauges for normal pressures for R-134a.
7. Check thermostat to be sure clutch cycles on and off.



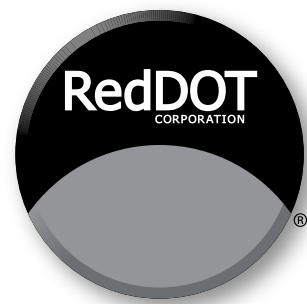
Aftermarket Office P.O.Box 58270 Seattle, WA 98138
(206) 575-3840 fax (206) 575-3840

DISTRIBUTED BY:

6. Place the recirc/filter plenum up to the headliner so that it covers the small rectangular cutout (curved side either away from or toward the condenser) and start one of the bolts.
7. Start the remaining bolts and tighten the plenum assembly bolts evenly until the plenum fits snugly against the headliner.
NOTE: Do not use an impact wrench to install these bolts. Do not exceed 30 lb-in (3.4 Nm) torque for plenum bolts.
8. Replace the recirc filter and grill into the recirc/filter plenum.

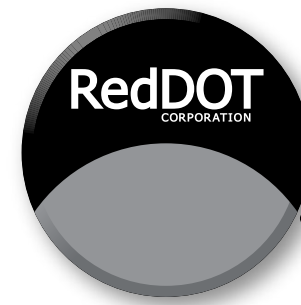
FINAL ASSEMBLY AND CHECK

1. Evacuate the system, test for leaks and charge with R-134a. The unit requires 1.8 to 2.2 pounds (0.8 Kg to 1.0 Kg) depending on hose lengths.
2. Connect the battery.
3. Turn the ignition switch to the "on" position, turn the blower switch to the high speed position, flip the a/c rocker switch to the "on" position:
 - a. The a/c clutch should click on and be engaged.
 - b. The evaporator blower should be turning at high speed.
 - c. The condenser blower should be turning.
4. Turn the fan switch to medium and low positions and check that the evaporator blower slows down.
5. Turn the fan switch to the "off" position and compressor clutch should disengage.
6. Start engine and run at 1500-2000 rpm. Turn unit on "full cold", "high fan". Check gauges for normal pressures for R-134a.
7. Check thermostat to be sure clutch cycles on and off.



Aftermarket Office P.O.Box 88790 Seattle, WA 98138
(206) 575-3840 fax (206) 574-6659

DISTRIBUTED BY:



R-9777 Air Conditioner/Heater

INSTALLATION INSTRUCTIONS

NOTE

1. Please read instructions all the way through, making sure you have all the parts and tools.
2. While working on or around a vehicle, disconnect the battery to prevent accidental start-up or electrical shorts.
3. Use care so as not to release any R-134a refrigerant into the atmosphere.
4. A/C systems operate under high pressure. At 77°F (25°C) the R-134a container will be pressurized to approximately 80 psi (552 KPa). Use caution when working with these materials. Goggles are recommended.
5. To function properly the A/C system must be clean and dry. Keep caps or protective covers on all refrigerant hoses and fittings until final assembly.

BEFORE STARTING

1. A compressor, compressor bracket, belts and refrigerant hoses are required to complete the installation. These items may be obtained from your RED DOT Distributor.
2. The compressor must have sufficient capacity to allow the unit to deliver the rated BTU output. An 8 cubic inch (131 cc) compressor turning faster than 1,750 rpm is required.
3. For pressurizing the cab and drawing fresh air, 78R 5110 remote mount filter is available with booster blower (73R 9202-12V or 73R 9204-24V).

MOUNTING THE UNIT ON CAB ROOF

1. Connect drain hose and 90° elbows as provided in the installation kit (RD-3-9146) to the unit. (See Figure 1)
2. Determine the location for mounting the heater-air conditioner unit per Red Dot template.
 - a. Refer to figure 2.
 - b. Mark the front-to-rear centerline of the cab on the outside of the cab roof.
 - c. Place the mounting template on the roof using the centerline as a guide.
 - d. Ensure that air flow to the unit is not obstructed.
 - e. Do not mount the unit with the front lower than the rear, as this will prohibit water drainage.
 - f. Avoid cutting roof stiffeners if possible. If stiffeners are cut or roof is weakened due to the cut-out, reinforcement may be required.
3. Tape the template to the roof at the desired location. Mark the roof cut-out area (scribe the roof).

NOTE: Before taping the template to the roof, decide what direction the unit is to be oriented. It is recommended that the "recirc inlet" be to the rear and the "discharge air" be positioned toward the front of the cab (This puts the condenser at the front and the plumbing to the rear). Also make sure that there is clearance inside the cab for the plenums - they are wider than the cutouts.

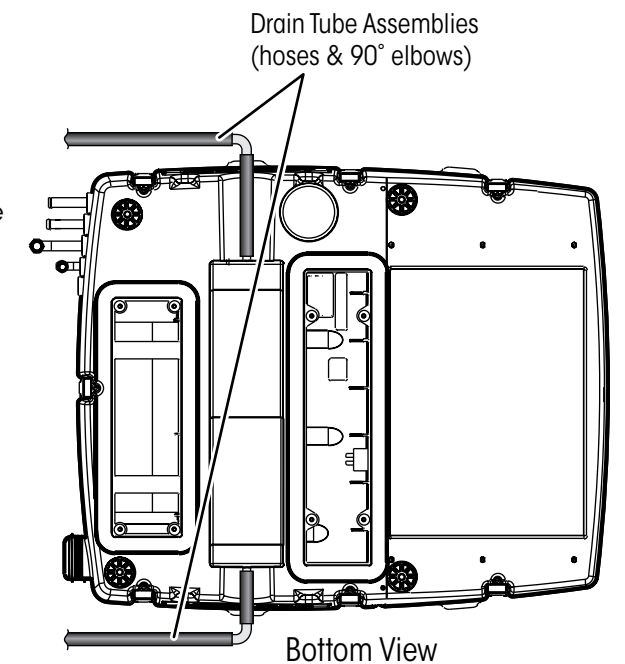
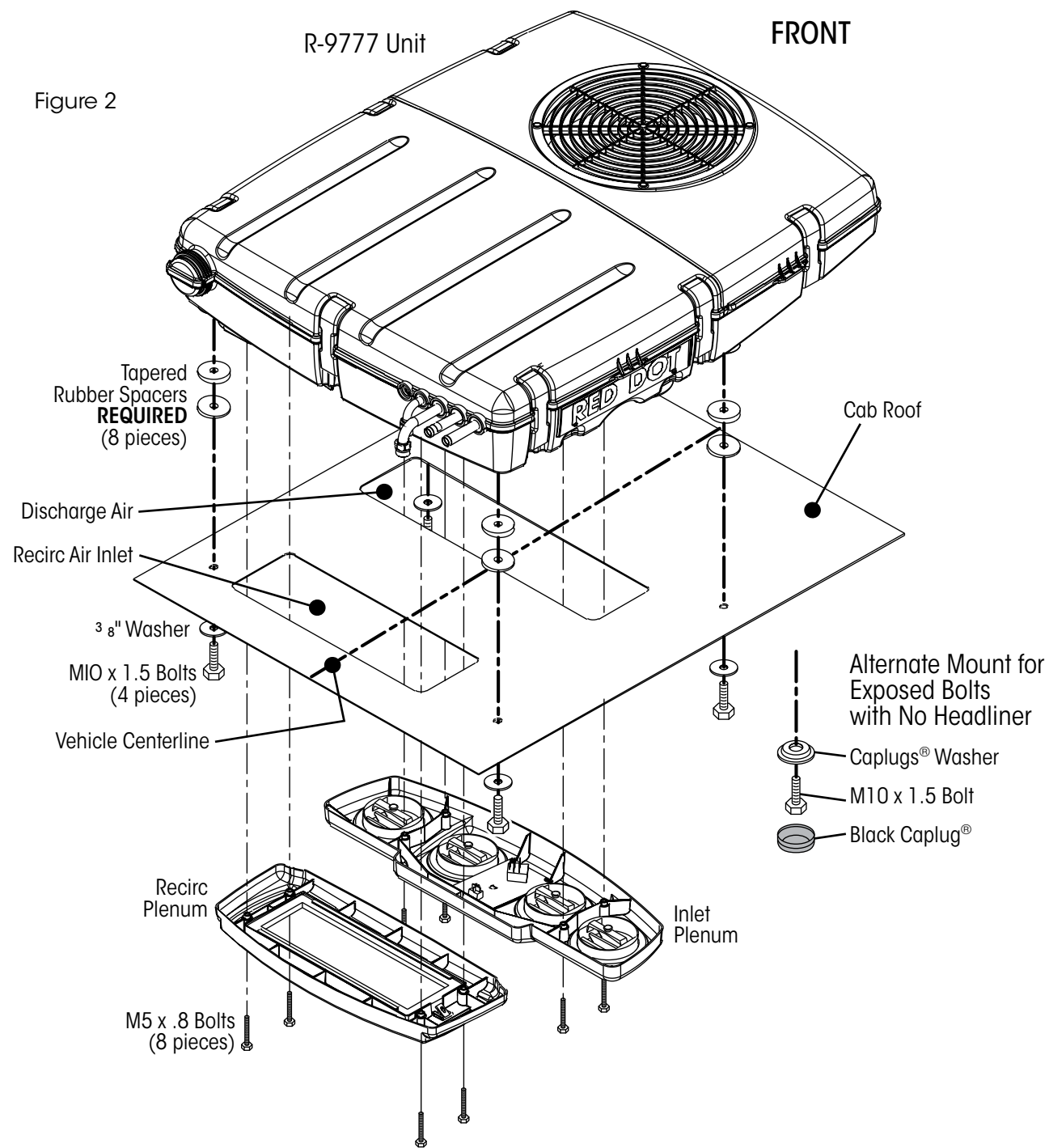


Figure 1

Figure 2



- Cut the rectangular inlet and outlet holes into the roof where marked (stay inside the lines). Then remove the headliner and drill the 1/2" (13mm) dia. mounting holes. Remove burrs and sharp edges.

NOTE: The rectangular holes should go through the headliner, the mounting holes should not go through the headliner. If the headliner is difficult to remove (or if the cab has no headliner), drill the 1/2" (13mm) dia. mounting holes through the headliner and use cap plug washers and cap plugs (supplied with kit) in conjunction with the M10 mounting bolts as shown in figure 2.

- Clean the outside roof area around the cut-out and mounting holes using a mild solvent.
- Apply a bead of sealant around upper surface of roof cut-out and mounting holes. Completely fill bolt holes with silicone to ensure proper sealing. **Also, place two rubber tapered spacers on each of the mounting holes and rotate the spacers relative to one another to level the unit on the roof** (figure 2).

WARNING: You must install the spacers to ensure adequate vibration isolation of the unit.

- Set unit on cab.
- Apply sealant around bolts to prevent water leakage into cab.
- Install four mounting bolts.

NOTE: Do not use an impact wrench to install the mount bolts. Do not exceed 20 lb-ft (27 Nm) torque on the mount bolts.

NOTE: Apply adhesive sealant to the mounting hole locations as needed.

REFRIGERANT HOSE INSTALLATION

- Cut hose to proper length. Make cut at right angles to centerline of hose. Blow cut hose with clean dry air after cutting to insure no foreign particles are left in hose. Install the appropriate steel bead lock fitting on the end of the hose and crimp fitting using crimper No. 79R 1510. A #12 suction line is recommended in place of the #10 for increased cooling capacity. Use a step up fitting to accomplish this.
- Route hoses over the top of cab and down the back wall to the compressor. On tilt cab vehicles, route hose to the cab pivot and then to compressor.
- Use clamps to secure hoses and prevent hose movement. Hoses must not come in contact with hot vehicle components, exhaust manifolds, etc., and they should not be subjected to mechanical abrasions.

SECURE DRAIN HOSES

- Secure drain tube with tie wraps. Attach to refrigerant hoses only if they run downhill properly. **NOTE:** Be cautious not to overtighten tie wraps. Otherwise the drainage may be restricted.
- Inspect to make sure that drain tubes are not kinked, especially at back of cab.

WIRING

NOTE: Unit is wired for negative ground.

- Disconnect battery.
- Orange and black wires (condenser fan circuit):** Connect the orange wire to the ignition switch supplied power through a 30 amp circuit breaker (15 amp/24V) and the black wire to ground.
- Red wire and black wires (motor blower circuit):** Connect the red wire to ignition switch supplied power through 30 amp circuit breaker (15 amp/24V) and the black wire to ground.
- Green Wire (compressor clutch circuit):** Connect to compressor clutch. Route the wire around the hinge point before connecting to compressor clutch on tilt-cab installations.
- See Wiring Schematic (RD-3-9609) provided in installation kit.

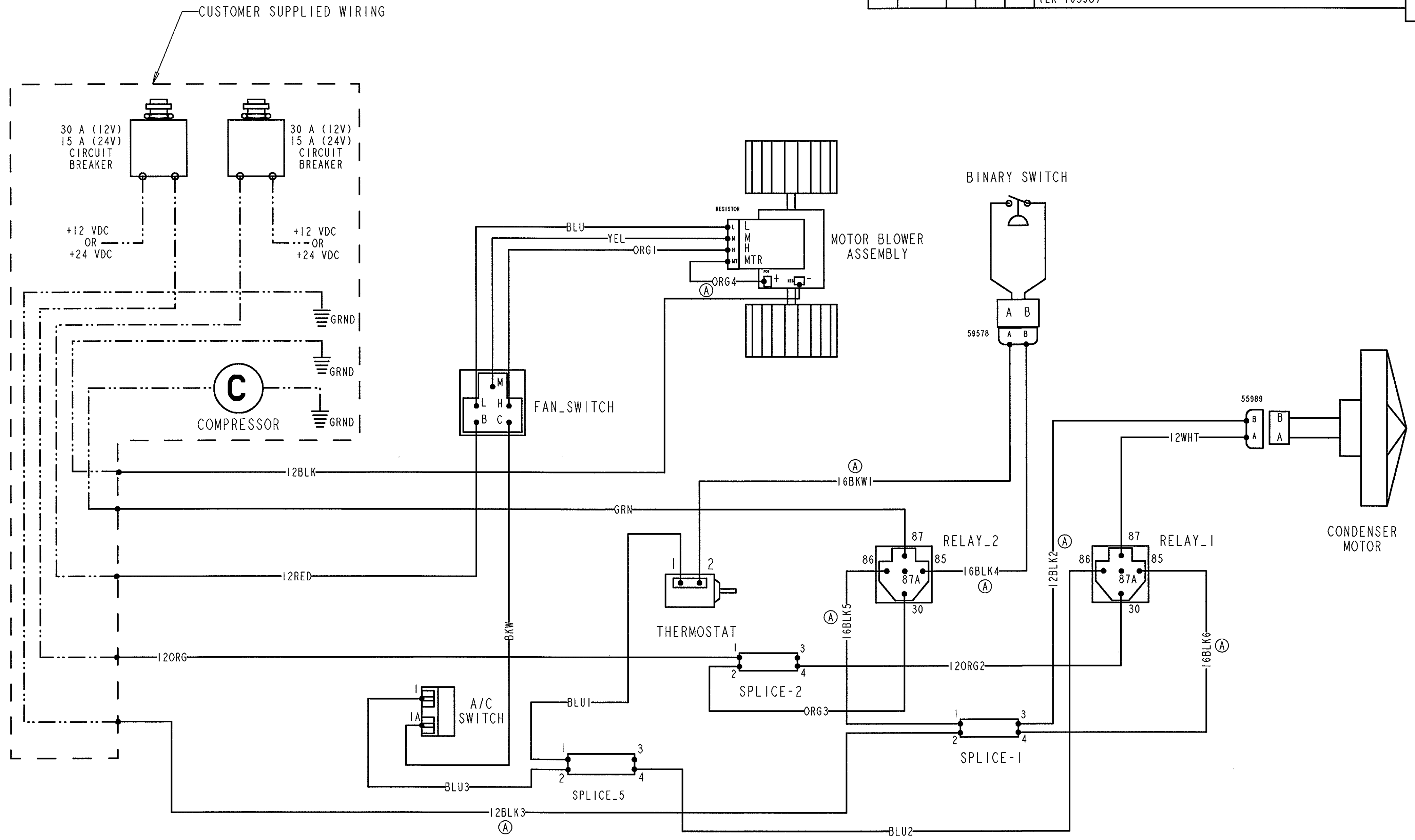
AIR DIFFUSER AND RECIRC PLENUM

- Reinstall the headliner (if it was removed).
- Place cable control converter through control panel ("D" hole from inside of plenum) then tighten the nut on the outside of the panel over the converter. Push the control knob provided in the kit over the shaft of the converter. (connect unit wiring to the rocker switch and the fan switch, refer to the Wiring Schematic for terminal information).
- Place the control/distribution plenum assembly up to headliner so that it covers the large rectangular cutout (curved side of the plenum toward the condenser end of the unit) and start one of the mount bolts.
- Start the remaining bolts and tighten plenum assembly bolts evenly until the plenum fits snugly against the headliner.

NOTE: Do not use an impact wrench to install these bolts. Do not exceed 30 lb-in (3.4 Nm) torque for plenum bolts.

- Remove the filter from the recirc/filter plenum by turning the quarter turn fastener counterclockwise and then removing the grill and filter.

LTR	DATE	BY	CHK'D	PROD APPR	REVISION
--	11-15-99	TCT	CCC	MT	INITIAL RELEASE (ER 10398)
A	1-7-00	TCT	SKO	MT	DELETED RELAY_3, SPLICE_3, SPLICE_4, 12BLK3, 12RED2, ORG2, 12BLK4 & 12RED3; RE-ROUTED 12BLK, 12RED & ORG1; ORG4 16BKW1, 16BLK4, 12BLK2, 16BLK5, 16BLK6, ORG3 & 12BLK3 WERE ORG, BKW1, BLK8, 12BRN2, 12BRN1, 12BRN3, 12ORG1 & 12BRN (ER 10398)



2) SEE RD-3-9608-0 WIRE HARNESS ASSEMBLY FOR INDIVIDUAL WIRE DESCRIPTIONS AND SPECIFICATIONS

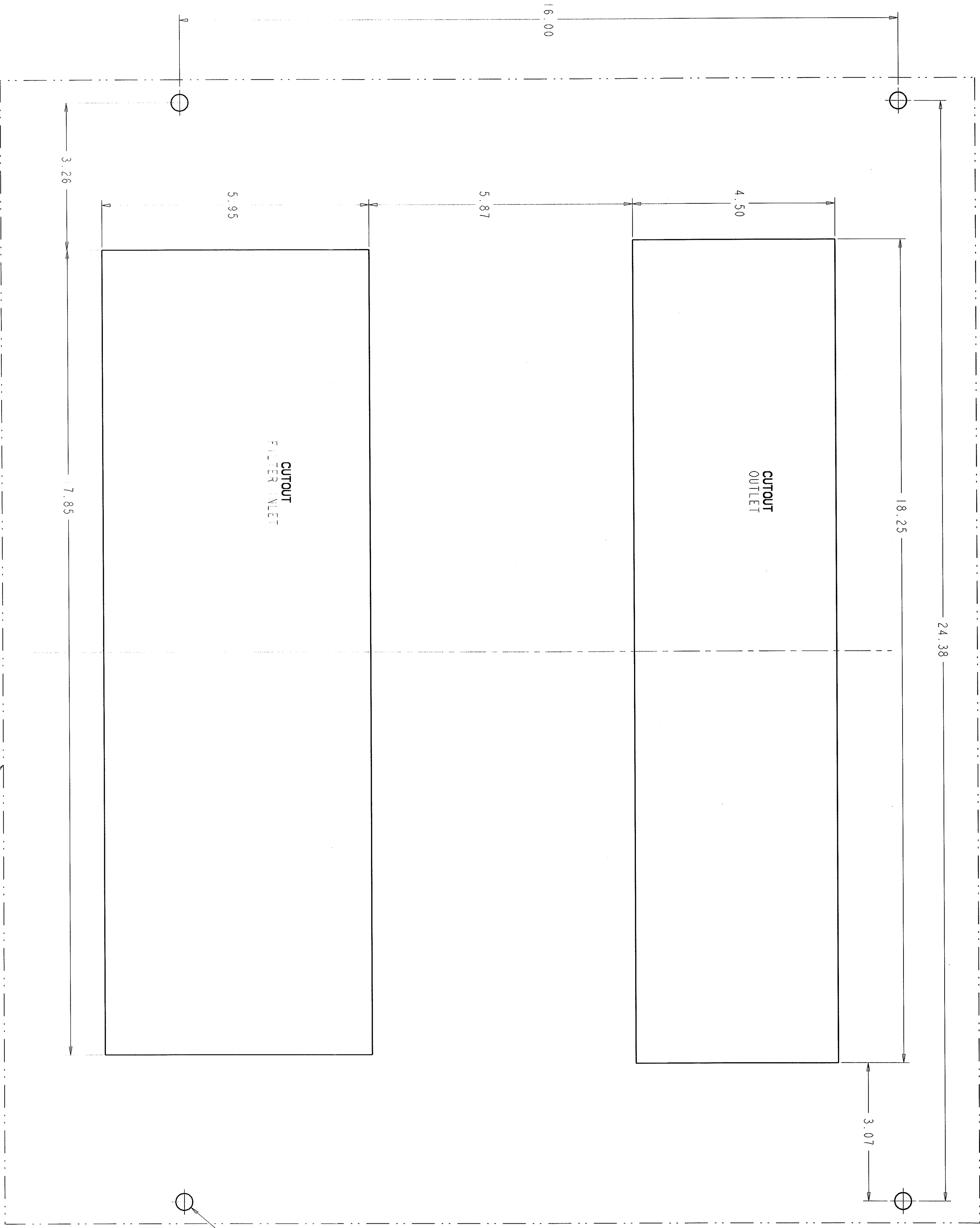
1) ALL WIRING 14 GA. UNLESS OTHERWISE SPECIFIED

NOTE:

ITEM	PART NO.	DESCRIPTION	MAT'L	FINISH
DWN	T. THOMPSON 5-27-99	WIRING SCHEMATIC R-9777		
CKD	C. COPPOCK 10-21-99			
SCALE: DRAWING SCALE				
RED DOT CORPORATION 495 Andover Park East Seattle, WA 98188			NEXT ASSY CUSTOMER	DWG. NUMBER RD-3-9609
			SIZE C	SHEET 1 of 1

THIS PRINT IS PROPRIETARY INFORMATION LOANED SUBJECT TO RETURN UPON DEMAND AND IS NOT TO BE USED DIRECTLY OR INDIRECTLY IN ANY WAY DETRIMENTAL TO RED DOT CORPORATION

REV	DATE	BY	CHK'D BY	DESCRIPTION
1	3-7-96	DEA/BTW	...	INITIAL RELEASE: (CR-08023)
2	5-25-96	DEA/BTW	...	SM 315 WAS 50; SHEET SIZE WAS D; (CR-0713)
3	3-6-01	LAW/KSI	...	INSERTED INSTRUCTION #3; (CR-83537; EC-WFQ335)



**R-9800
INSTALLATION INSTRUCTIONS**

NOTE: This unit is wired to use an electrically controlled water valve for the heat mode. Use RD-5-3XXX or equivalent.

- 1) Locate suitable location for unit mounting, either vertical (exterior wall mount) or horizontal (roof mount). Using template provided, make the plastic outlet plenum inside the cab.
- 2) Using template, drill four 3/8" mounting holes. Cut out rectangular hole for outlet and filter box (see note).

NOTE: For vertical mount, arrange template with longer rectangular cutout (to fit hood) down.

- 3) Assemble inlet and outlet gaskets (provided based in unit box) to bottom of unit.
 - 4) Apply a bead of glue around hose gaskets to seal unit, cabinet in vehicle. Do not use sealant on the unit to vehicle. Use silicone sealant on mounting bolts to prevent leaks.
 - 5) Determine desired direction for wire harness and temporarily position outlet plenum with wire relief notch over wires. Apply labels to obtain greatest visibility for vehicle operator. Install switches in aluminum and knob to switches.
- NOTE: If switches are to be remote mounted do not apply labels to a stem. Apply labels to the back of the switch and knob. Use optional wire harness to connect to unit.
- 6) Connect inlet wire harness to switches. DO NOT OVER TIGHTEN! Install filter in filter box.
 - 7) Connect wires per wiring diagram provided.

UNIT PERIPHERY

REV	DATE	BY	CHK'D BY	DESCRIPTION
1	3-7-96	DEA/BTW	...	INITIAL RELEASE: (CR-08023)
2	5-25-96	DEA/BTW	...	SM 315 WAS 50; SHEET SIZE WAS D; (CR-0713)
3	3-6-01	LAW/KSI	...	INSERTED INSTRUCTION #3; (CR-83537; EC-WFQ335)

3M	3-A5-E1	2-8-98	3-21-98	3-21-98
CO	E	W	W	W

SCALE: 1:1

RED DOT CORPORATION
493 KENNEDY BLVD., WA 98148

DESCRIPTION: R-9800
INSTALLATION INSTRUCTIONS

RD-5-8398
E

Heavy Duty Air Conditioning and Heating
Service Training Manual

[Go to Table of Contents](#)

Copyright Information



Prepared by

Red Dot Corporation

Heavy Duty Air Conditioning and Heating Service Training Manual

Published by



RED DOT CORPORATION 495 Andover Park E. P.O. Box 58270 Seattle WA 98138-1270

RED DOT CORPORATION

Publisher

Red Dot Part No. RD-5-5900-0

Trademarks: The terms CTC™, Binary™, Trinary™, and TWIN TEMP™ are registered trademarks of Red Dot Corporation. Freon® is a registered trademark of DuPont Corporation. MITYVAC® is a registered trademark of Neward Enterprises Incorporated.

Disclaimer: The technical information and procedures described in this publication have been obtained from the most reliable sources available. The publisher assumes the data is accurate and current at the time of publication and does not accept any liability for errors, omissions or the correctness of contents or procedures described herein.

Copyright: No part of this work may be reproduced or used in any form or by any means—graphic, recording, taping, or information storage and retrieval systems—without written permission of the publisher and copyright holder.

Second Edition

Copyright © 1993 by **RED DOT CORPORATION**—All rights reserved.

Table of Contents

Introduction.....	Intro-1
Chapter 1 Air Conditioning / Heating Function	1-1
Chapter 2 Overview of System Operation.....	2-1
Chapter 3 Heater Components and Controls.....	3-1
Chapter 4 Air Conditioner Components.....	4-1
Chapter 5 System Controls.....	5-1
Chapter 6 Service Tools and Their Use	6-1
Chapter 7 Inspection and Maintenance–without gauges	7-1
Chapter 8 Troubleshooting & Service Procedures	8-1
Chapter 9 Refrigerants	9-1
Chapter 10 Component Repair or Replacement	10-1
Chapter 11 Typical HVAC Systems and Components	11-1
Chapter 12 Retrofitting an R-12 System.....	12-1
Glossary.....	i-1
Figure Index.....	ii-1
Subject Index.....	iii-1

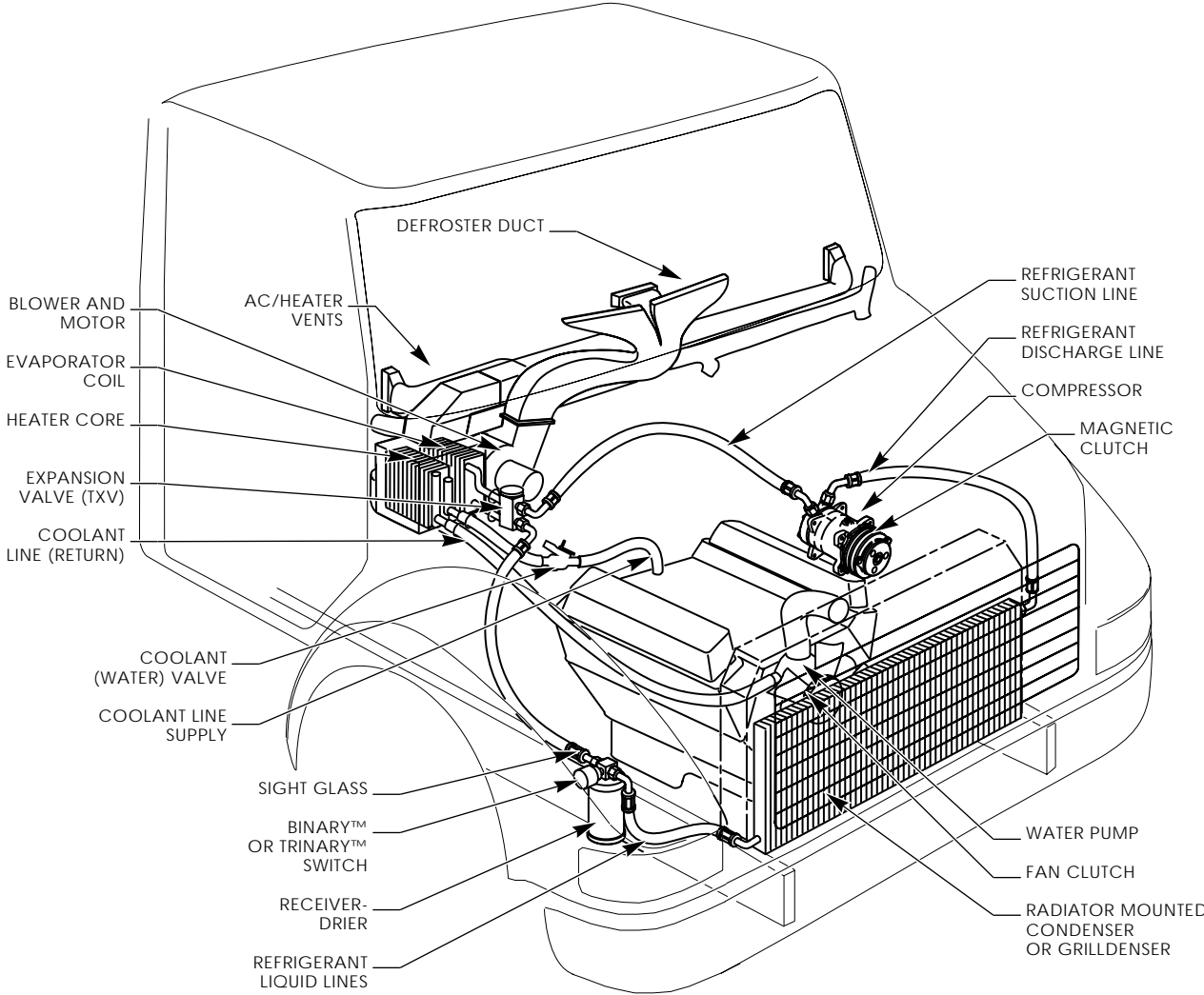
Go to Copyright Information

Introduction

This manual has been designed and written for your use. Take your time reading it. Study the illustrations, charts and photos. Figure 1 shows a typical HVAC system (heating, ventilating, air conditioning) installed.

The illustration is cut away so you can see component locations. All of the main components are labeled, connected together and positioned approximately as they appear in the vehicle. These components may differ from one cab to another. There could be other system devices for safety or perhaps sleeper cab comfort.

Figure 1
The illustration shows a typical HVAC system with in-cab components mounted on the fire wall. The main system components are noted in this illustration.



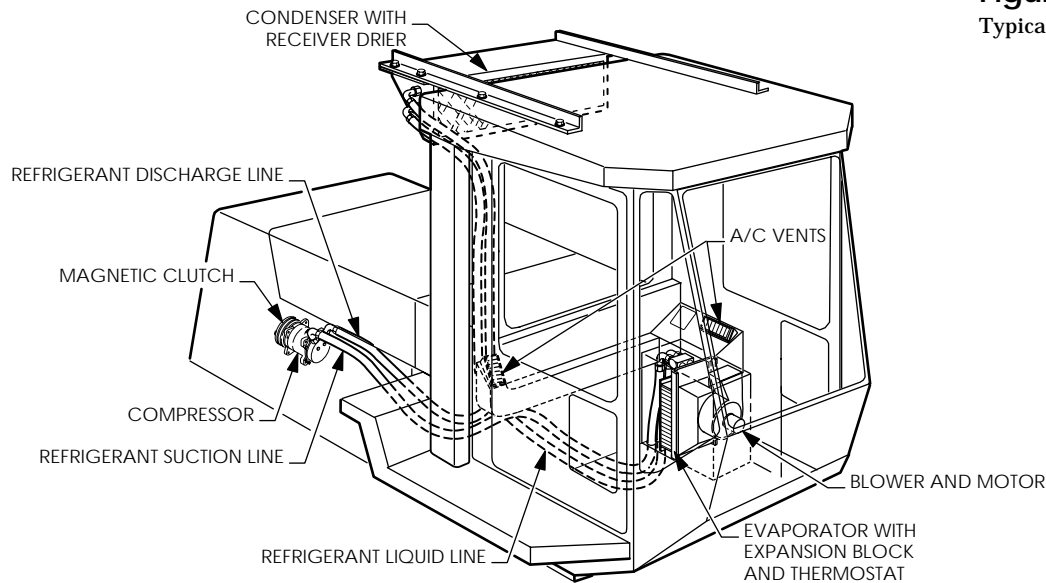


Figure 2
Typical off-road installation.

The Table of Contents lists the chapters and gives you their page locations. There are two separate indexes at the back of the manual. The Figure Index describes each figure with its number and page location. The Subject Index will help you locate each subject covered in the manual.

Each chapter begins by listing the main topics you will want to learn and remember. Key points are repeated for your review at the close of most chapters. The illustrations are explained and parts are labeled where necessary for easy identification. You should feel free to make notes in this manual and underline or circle anything that is important to you.

Our purpose is to give you knowledge, and confidence in your ability to work on heavy duty air conditioning and heating systems. Your working speed and trouble shooting skills will improve with experience.

The systems we cover here for heavy duty heating and air conditioning are easy to understand. They are a little different from most other mechanical systems, because they are closed (sealed) systems and have to function under pressure to work properly. You will become familiar with a few of nature's laws that most of us take for granted. These concern how heat really works and the effects of pressure under different conditions. There is a *Glossary of Terms* at the back of this manual. The *Glossary* explains words that may be new or not clear to you.

Safety is very important to all of us. *Chapter 6*, page 6-10, reviews safety procedures in detail. We also use "NOTES," "CAUTIONS," and "WARNINGS" in this manual. Any time you see a CAUTION, we are talking about a situation that could lead to equipment damage or failure. A "WARNING" specifically warns you about the potential danger to humans (the operator, the serviceworker) when equipment use or instructions are not properly followed. You will be handling engine coolant and air conditioner refrigerant in your work. Both are chemicals and can be unsafe to work with when used incorrectly.

The Clean Air Act, passed in 1992, specifies that anyone who works on vehicle air conditioning systems must be certified as proof of their training. Organizations such as the Mobile Air Conditioning Society (MACS) and the National Institute for Automotive Service Excellence (ASE) are approved by the Environmental Protection Agency (EPA) as organizations having approved independent testing and certification programs. At the time of this writing, others are being considered. For more information, please contact your regional EPA office.

Now it is time for the details, the things that make these systems work. Take a few moments now to study Figure 1. Familiarize yourself with the component names and then move on to the chapters that follow. All the details are covered there.

Chapter 1 Air Conditioning / Heating Function

Click on any of these subject headings to go directly to the page

- Cab Environment
- Heat Sources
- Heat Movement
- Heat Measurement
- Heat Relationships
- Changes of State
- Heat Movement During Changes of State
- Air Conditioner/Heater Functions
- Chapter Review

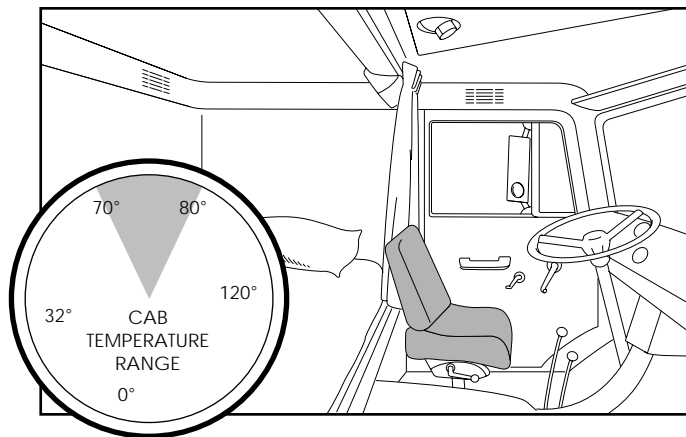
Cab Environment

The purpose of a heater/air conditioner system is to keep the driver comfortable. You are already familiar with your car system—if you are cold, you turn on the heater. On a warm summer day, you either turn on the air conditioning system or open the windows. Most people feel comfortable when they are surrounded by air that is 70 to 80 degrees. Because truck drivers and heavy-duty vehicle operators are usually in their cabs for long periods of time, the cab temperature is very important to their comfort.

Truck and off-road cabs are hard to heat and cool. They have a large glass area and are not always well insulated. Hot and cold weather directly affect the temperature inside the cab. This means that any air conditioner/heater system must have the capacity to do a lot of cooling or heating. Figure 1-1 shows the temperature range inside a cab.

Figure 1-1

Inside cab environment
A 70 to 80 degree temperature range and modest humidity level is best for most people. The heater/AC system should reach and remain within this temperature range after a few minutes of operation.



The ideal cab environment has a modest humidity level. The temperature should reach and then remain in the ideal range, 70 to 80 degrees. The cab should reach this temperature range after a few minutes of system operation with the windows closed. Air within the cab should be exchanged every few minutes to remove smoke, products of respiration and other odors.

Most air conditioner systems cycle on and off by the action of thermostatic and/or pressure sensitive devices. It is this on-off, open- closed action that maintains a comfortable temperature range for the driver and any passengers.

Heat Sources

Heat is a form of energy. The control of heat energy is what air conditioning and heating is all about. In summer a vehicle cab absorbs heat from various sources such as the sun, the road surface, engine, transmission, hot outside air, and even the people in the cab. In winter the cab loses heat to the cold outside air.

Figure 1-2 illustrates a truck cab in two situations—operating in summer and winter.

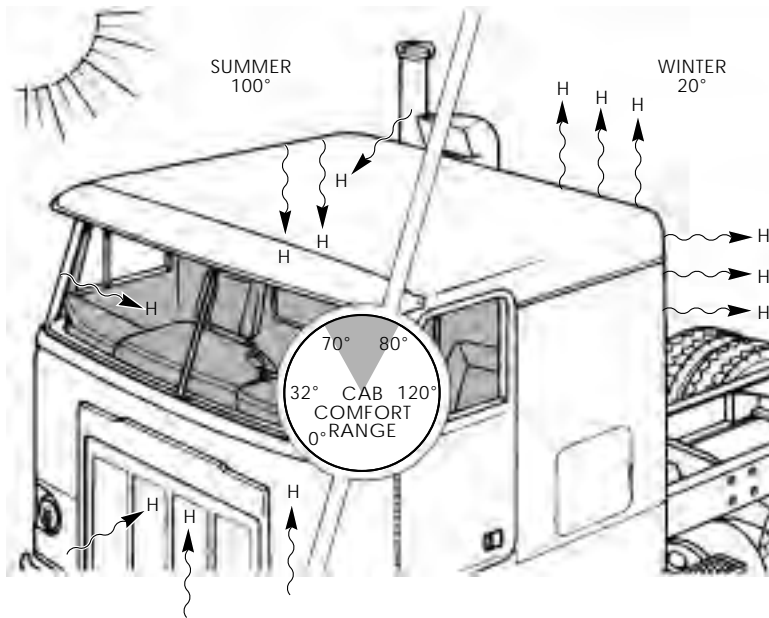


Figure 1-2

This drawing shows how heat moves; one of nature's laws. Heat always moves from a warm to a cool area—heat flows into the cab in hot weather and flows out in cold weather.

Heat Movement

Heat always moves from a warm area to a cooler one until both areas are at the same temperature. You know from experience that on a cold day, when you drive somewhere with the heater on, your vehicle is comfortable. But if you park it for awhile with the engine off, the cab and the engine will both eventually reach the same temperature as the outside air. Figure 1-3 illustrates this in a parked vehicle.

Figure 1-3

The inside cab temperature will be the same or higher than the outside temperature when parked for awhile with all systems turned off.

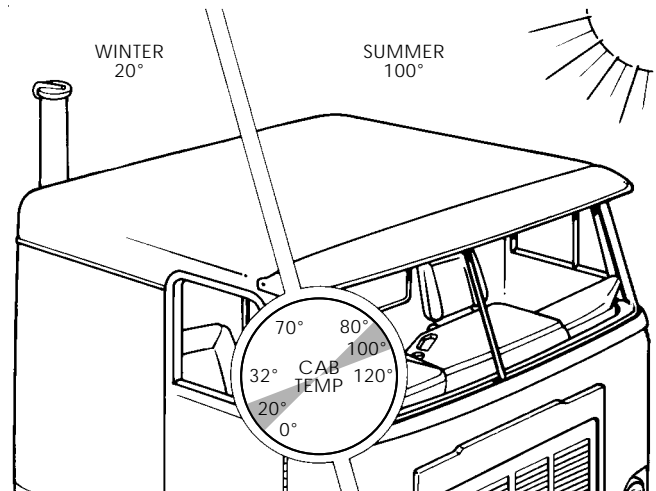
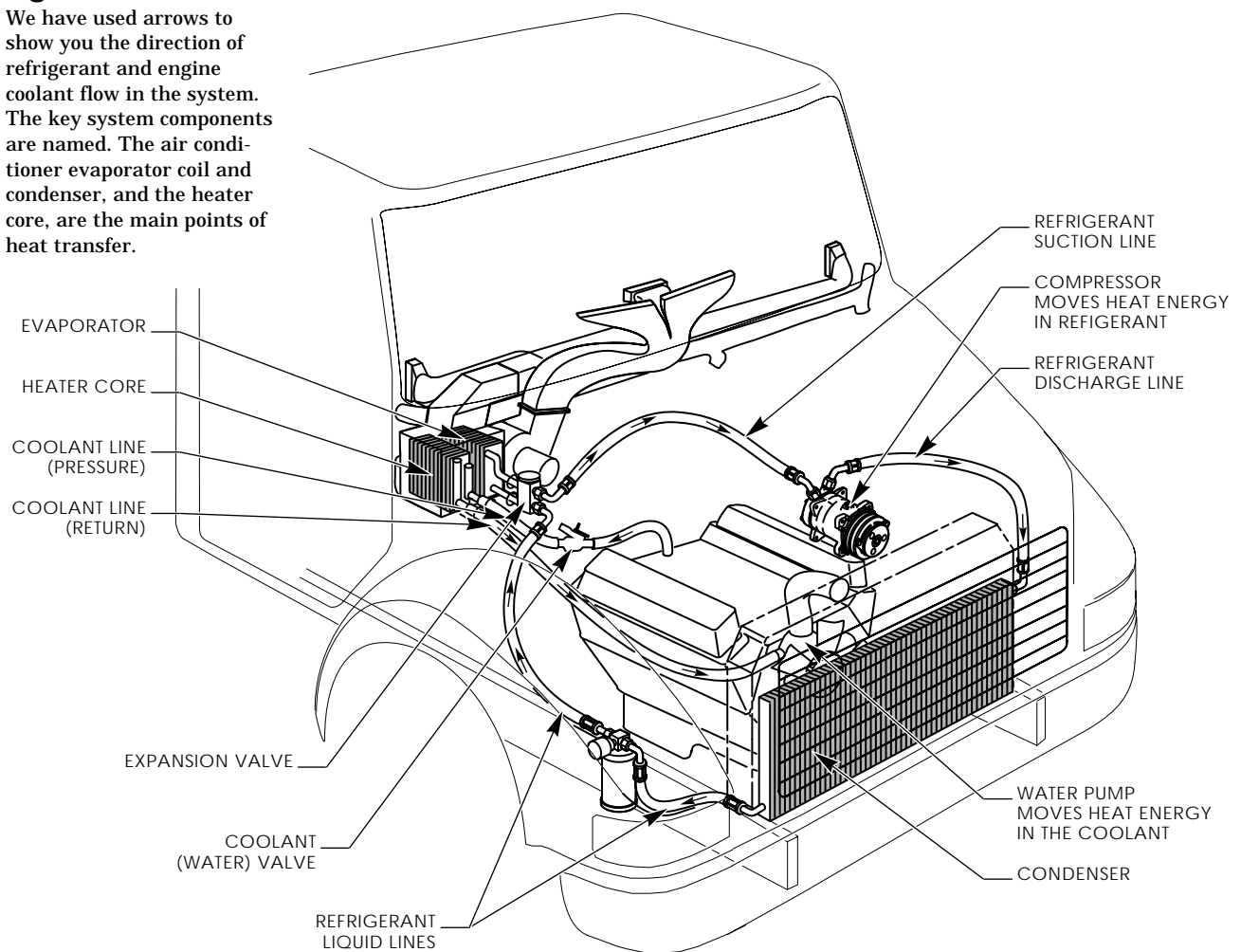


Figure 1-4 displays the key components in the HVAC system. The arrows show the direction of refrigerant flow in the system.

Figure 1-4

We have used arrows to show you the direction of refrigerant and engine coolant flow in the system. The key system components are named. The air conditioner evaporator coil and condenser, and the heater core, are the main points of heat transfer.



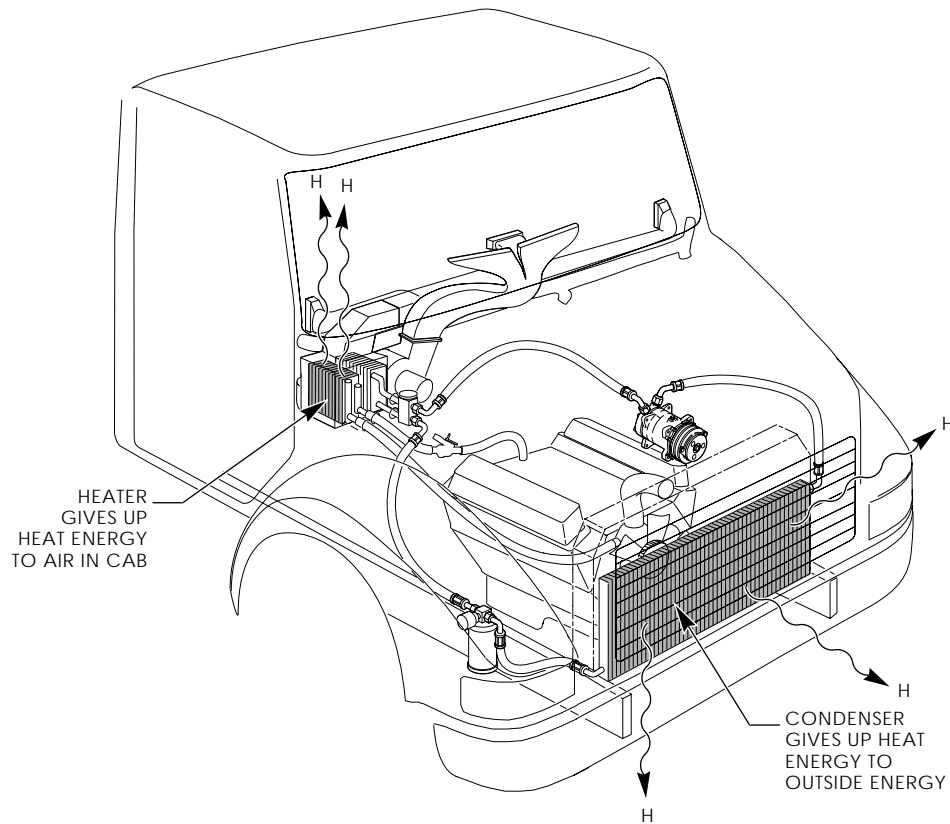


Figure 1-5

Note the heater core and air conditioner condenser in this illustration. Both serve these systems as the main point of heat energy radiation. The heater radiates heat to warm the vehicle occupants. The condenser radiates heat from the refrigerant to the air outside the cab.

Heat Measurement

There are two ways to measure heat—heat intensity in degrees Fahrenheit, or degrees Celsius, and heat quantity in British thermal units (BTU's).

Heat Intensity

We measure heat intensity (how hot something is) as temperature in degrees Fahrenheit (or in the metric form, degrees Celsius). In your service work on HVAC systems, you may use a dial type thermometer to measure heat intensity. Figure 1-6 illustrates a typical dial type thermometer. It's an ideal tool for measuring heat intensity as you work to check out or troubleshoot these HVAC systems. The chart in Figure 1-7 converts degrees Fahrenheit to degrees Celsius.

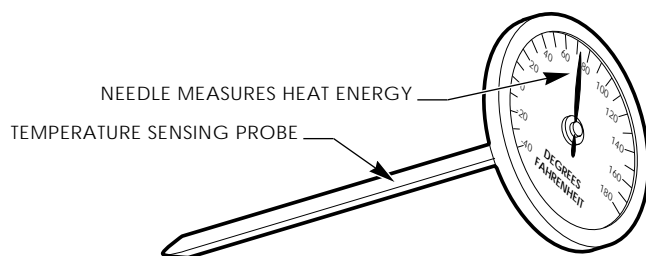


Figure 1-6

A typical dial type thermometer has a probe on it that extends about six inches. The probe senses and indicates the temperature in hard to reach places—such as in air distribution ducts.

Figure 1-7

Fahrenheit/Celsius Conversion																	
F°	30	40	50	60	70	80	90	100	110	120	130	140	150	160	170	180	190
C°	-1	4	10	16	21	27	32	38	43	49	54	60	66	71	77	82	88
F°	200	210	220	230	240	250	260	270	280	290	300	310	320	330	340	350	
C°	93	99	104	110	116	121	127	132	138	143	149	154	160	166	171	177	

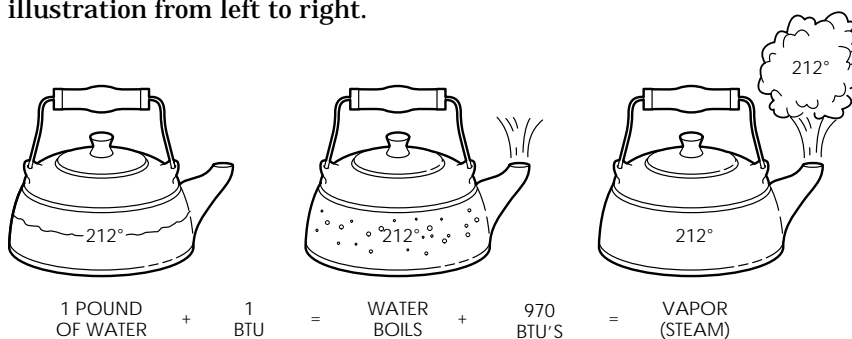
Heat Quantity

Another measurement is heat quantity, or how much heat there is. British thermal units or BTU's are the accepted unit for measuring heat quantity. For example, at sea level one BTU of heat energy raises the temperature of one pound of water one degree Fahrenheit. If we keep adding BTU's to that pound of water, we will get to the boiling point of 212 degrees. At that point the temperature will normally stop going up even if we continue to add heat (BTU's).

If you want the pound of water to change to steam (from a liquid to a vapor), you have to add a lot of BTU's. In fact you would add 970 BTU's of heat energy before the entire pound of water would change to steam. You would only add 180 BTU's to take that pound of water from 32 degrees to the boiling point of 212. Look at the three kettle drawings in Figure 1-8 for a moment. They show what happens to water when heat quantity is added. Review the drawings in this illustration from left to right.

Figure 1-8

In this illustration a pound of water changes to vapor when 970 BTU's of heat energy are added to it. This change in water is called a "change of state". Note that the temperature in the middle picture and the one on the right remains the same, 212 degrees.



Here is the interesting part. When you add 970 BTU's to change the water to steam, the temperature stays at 212 degrees. All the BTU's of heat energy went into the steam. It took 970 BTU's of energy to cause the water to change. If you were to cool the steam back to water again, the 970 BTU's of heat energy would be given up to the air. The important thing about the example and illustrations in Figure 1-8, is the large amount of heat it takes to change a substance like water from one state to another. In fact, this is one of the reasons HVAC systems are able to handle heat effectively. To put it another way, when you can control a "change of state" you can move a lot of heat.

The heavy duty HVAC systems you will be working on are designed to move heat energy quickly. Engine coolant and refrigerant are used to carry heat energy into or out of the cab. Both of these liquids are good at absorbing and giving off BTU's of heat in the vehicle cab to make us comfortable.

Heat Relationships

Relative humidity plays an important part in our comfort. So does air movement. The relative humidity is a measure of the moisture in the air. Air movement is a measure of the speed or velocity of air as it moves. We use CFM's or Cubic Feet per Minute as a measure of air movement. As they operate, truck HVAC systems remove humidity or moisture and circulate the air around us to keep the cab occupants comfortable.

Changes of State

We talked about “change of state” when we mentioned earlier that 970 BTU's of heat energy were needed to change a pound of water into vapor. We use water in our example because it is familiar to all of us. In AC systems the refrigerant is used instead of water. It evaporates and condenses (changes state) in the system almost continuously. It is this action that makes an air conditioner cool the cab and its occupants. A “change of state” works for us by moving large amounts of heat energy fast, under the right conditions.

Heat Movement During Changes of State

Evaporation and condensation both take place inside the air conditioning system. When either of these conditions occur, a lot of heat moves. We use refrigerant because its temperatures of vaporization and condensation are nearly optimum for this application. Using the familiar 20 pound refrigerant cans, Figure 1-9 shows the effect of a “change of state” on R-12. You can see how fast a change in pressure in the can changes the temperature of the refrigerant.

WARNING

Refrigerant can be dangerous if released as shown below. These drawings are for illustration purposes only—to show “change of state”.

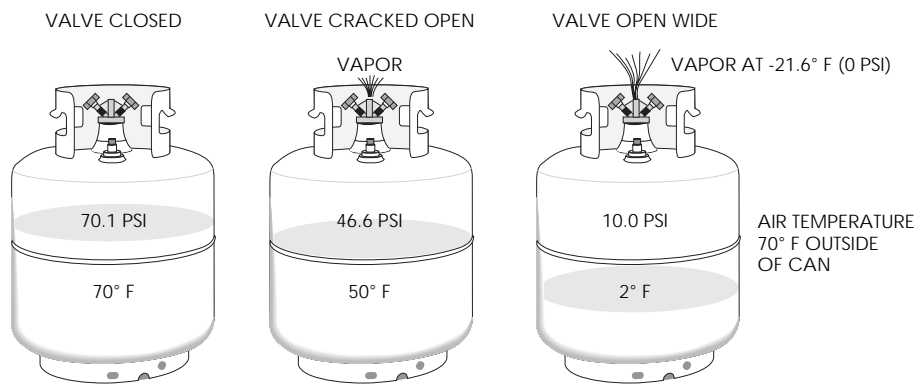


Figure 1-9

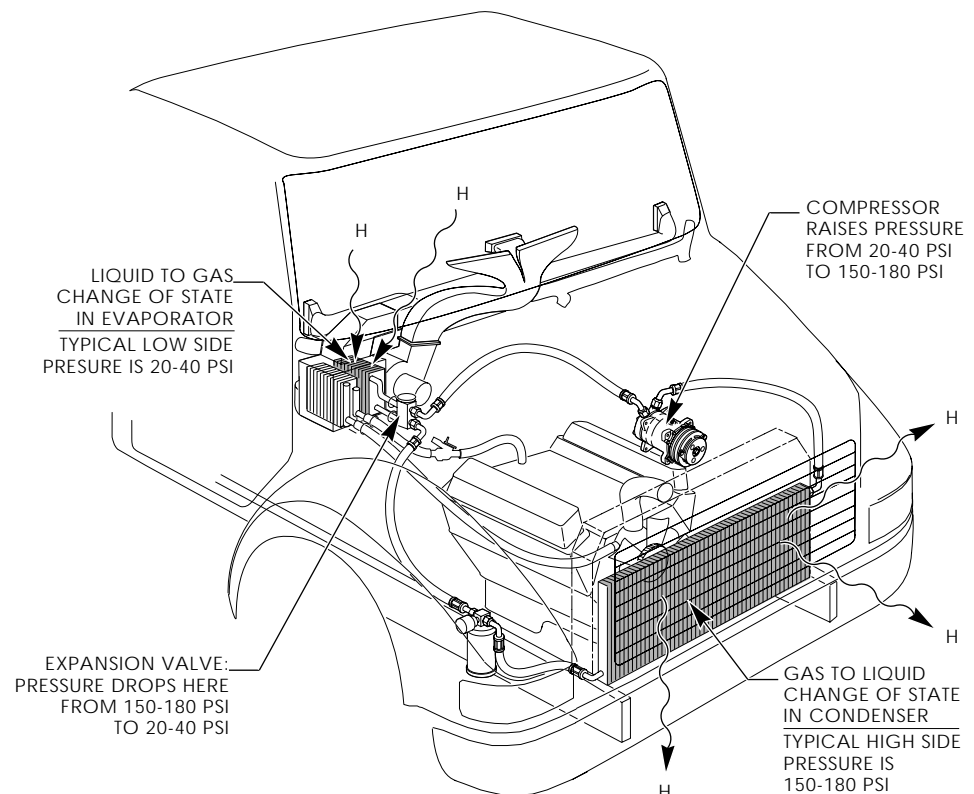
In these drawings the dispensing valve is used to release pressure inside the cans. Note that R-12 boils at a temperature of -21.6 degrees Fahrenheit, compared to water at 212 degrees Fahrenheit.

In an air conditioner, the refrigerant is trapped inside a closed system and circulates under pressure. When we put any substance under pressure, the pressure changes the way it acts. We can control the amount of pressure at different locations within an air conditioner in order to change the temperature level wherever a “change of state” occurs. Thus we use “change of state”, one of nature’s laws, to add or subtract heat in large quantities from a substance—fast! Figure 1-10 shows the points where “changes of state” occur in the truck AC system. Refrigerant, in this case R-12, evaporates inside the evaporator coil and condenses inside the condenser.

Under normal operating conditions there is no change of state within the heater system.

Figure 1-10

This illustration highlights the evaporator and condenser in a cutaway view of the typical HVAC system. The R-12 changes from liquid to vapor or gas at the evaporator, and back to a liquid again at the condenser.



Air Conditioner/Heater Functions — What They Do

These systems are designed to provide comfort to the cab occupants as quickly as possible. The systems change the cab temperature and maintain it. They use refrigerant and engine coolant (anti-freeze) to move heat energy. The refrigerant in air conditioning systems removes heat from the cab. The engine coolant takes heat from the engine and transfers some of it to the cab through the heater core.

HVAC systems also control humidity or moisture as the air in the cab is circulated. The system components may act together or independently, switching on or off to meet present control requirements. The driver or passengers can change system control settings to meet their own personal comfort needs. The controls can affect temperature and humidity levels, air direction and speed (CFM). System controls are described in *Chapters 3* (heater) and *4* (air conditioner) of this manual, and explained in more detail in *Chapter 5*.

It is important to remember that all systems are designed to maintain a temperature range. This range takes care of variations in outside temperature which cause heat gain when it is hot, or heat loss when it is cold.

Chapter Review

The following topics were discussed in this chapter:

- The ideal in cab environment for most people is 70 to 80 degrees Fahrenheit, with a modest humidity level and adequate air circulation.
- Heavy vehicle cabs are hard to cool or to heat because of the weather, minimal insulation, and the large glass area of the cab. In summer the cab picks up heat from the sun, road, engine, transmission, and body heat from the occupants. An operator who spends long periods in the cab can be more critical of the cab environment.
- We measure heat (energy) two ways—in degrees Fahrenheit or Celsius, and BTU's. Degrees measure heat intensity. BTU's measure heat quantity.
- One of nature's laws is that heat (BTU's) always moves from a hot area to a cooler area until both are at the same temperature (intensity) in degrees Fahrenheit.
- Another of nature's laws is that a "change of state" accounts for the movement of a lot of heat. If the change of state happens fast, the heat moves fast. When refrigerant changes state, it can give off or absorb large quantities of heat (BTU's).

Chapter 2 Overview of System Operation

*Click on any of these
subject headings to go
directly to the page*

- Truck and Heavy Equipment Systems
- Air Conditioner-System Operation
- Heater System Operation
- Environmental Effects on System Operation
- Chapter Review

Truck and Heavy Equipment Systems

A variety of HVAC systems are in use today, some old and some new. There are:

- Vehicle manufacturer installed systems
- Owner specified systems
- Add-on systems
- Retrofit systems

The system components come in different colors, shapes, and sizes. They may be mounted in or on the cab in varied locations. Owners or fleet maintenance people can modify systems by adding controls, auxiliary units or ducts. Major components are sometimes replaced due to damage or failure. All systems were, at least originally, designed and installed to meet the needs of an operator. Figure 2-1 includes illustrations of various AC and Heater systems. They illustrate system advantages and disadvantages explained in the paragraphs that follow.

The HVAC system includes both heater and air conditioner components, usually a common control, and air ducts. The system cools the cab by removing heat energy. It removes moisture from damp air in the cab and adds fresh outside air to the cab. In this way, the operator can work comfortably in all kinds of weather.

A sleeper unit, built in or added on, increases the air volumes in the cab. The air conditioner or heater must circulate and cool or heat a larger amount of air. This is accomplished by routing ducts and controls to the sleeper compartment as part of system design. Components may be increased in size to handle the larger cab air volume. A bigger heater core, air conditioning evaporator coil, condenser, blower or fan may be included. Often, on long haul trucks, auxiliary air conditioning and heater components and controls are added. The objective remains the same, to move heat energy and maintain occupant comfort.

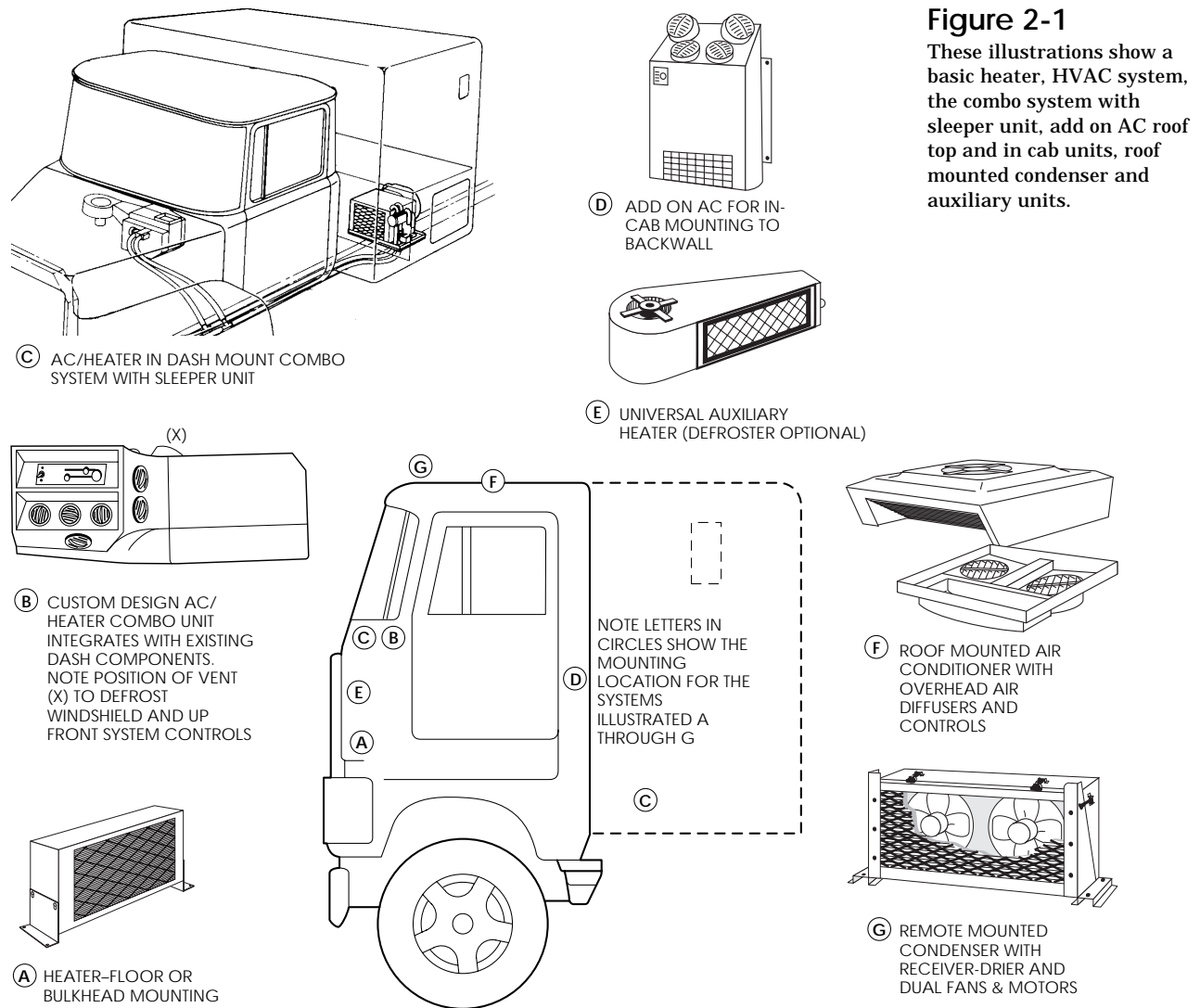


Figure 2-1

These illustrations show a basic heater, HVAC system, the combo system with sleeper unit, add on AC roof top and in cab units, roof mounted condenser and auxiliary units.

By law, all trucks have a heater/defroster as part of the standard equipment. When there is a reason to add air conditioning, there are options to meet different needs. The available space in the cab, operating environment, and owner preference can all play a part in the type of AC unit selected. You will probably encounter roof-mounted and in-cab add on systems, and even systems where the condenser is mounted on the roof and the evaporator is attached to the back panel or mounted under the dash. In cooler climates you may come across a cab with two heaters, the original and an auxiliary unit.

Air Conditioner—System Operation

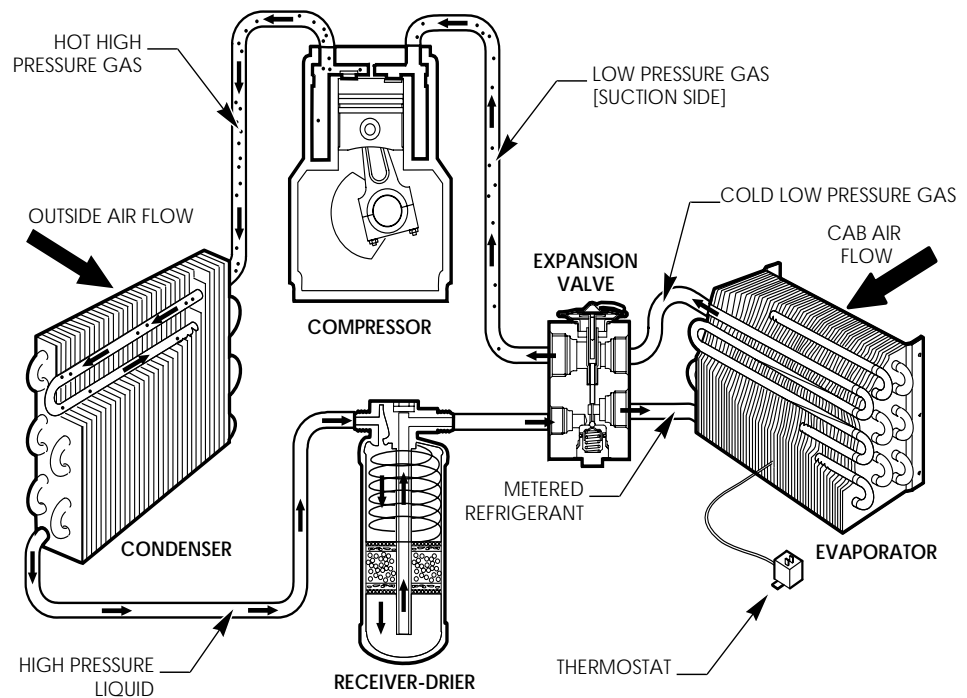
We have described the movement of heat energy and basic HVAC system function in Chapter 1. Now we will go into some detail on how an air conditioner operates. The system is sealed to keep out air and moisture. To operate properly, the inside of the system contains a measured amount of refrigerant and special refrigerant oil that keeps the system lubricated. Figure 2-2 is an illustration of system components without the cab outline, in-cab controls, component housing, and air ducts or vents. Please study it for a moment. Note the information printed next to each component. Remember that the components may be positioned and attached to the truck in various locations.

The following AC components are discussed in detail in this section:

1. Compressor/Clutch Assembly
2. Condenser
3. Receiver-Drier
4. Expansion Valve
5. Evaporator Coil

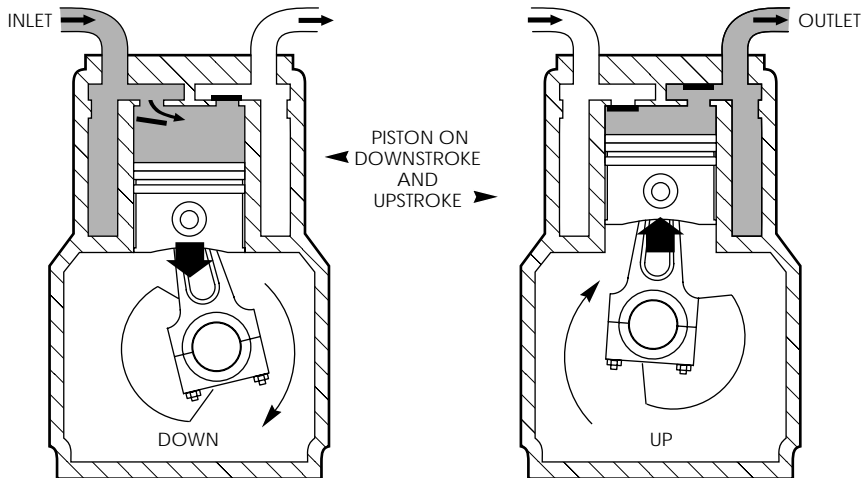
Figure 2-2

Air Conditioner components are connected together to illustrate system operation. The components shown are not to scale. The refrigerant and refrigerant oil are clear in color and not visible in this drawing. The small arrows inside the components and connecting hoses show the direction of refrigerant flow (refrigerant circuit).



1. Compressor/Clutch Assembly

The compressor/clutch assembly is the heart of the system. When the clutch is engaged, the compressor pumps refrigerant and oil around the system. It raises the temperature and pressure of the refrigerant gas, and forces it to the condenser where it changes state and becomes a liquid. The compressor also sucks the vaporized refrigerant out of the evaporator and back inside itself in the form of gas. One way valves inside the compressor separate the compressed gas (high pressure) side of the system from the suction (low pressure) side. Figure 2-3 shows a cutaway view of a compressor with the high and low pressure sides noted.



INLET LOW PRESSURE – ON DOWNSTROKE
PISTON SUCKS REFRIGERANT GAS THROUGH
OPEN VALVE

OUTLET HIGH PRESSURE –ON UPSTROKE VALVE
FORCED OPEN AND HOT REFRIGERANT GAS IS
FORCED INTO HIGH SIDE OF SYSTEM

Figure 2-3

The compressor inlet is low pressure and the outlet is high pressure. The reed valves are one way. They open to allow refrigerant gas to enter the compressor on the down stroke and exit on the upstroke. Note the open valves in the illustrations.

The clutch is mounted on the shaft of the compressor and is engaged by electromagnetic action. Part of the clutch assembly is an electromagnetic wire coil. The coil is energized through a thermostat that senses the temperature in the evaporator coil. If the evaporator is too warm the electrical contacts close and allows power to flow to the clutch. The compressor shaft is engaged and moves the refrigerant around inside the system. Figure 2-4 is a cutaway view of the clutch mounted on the compressor.

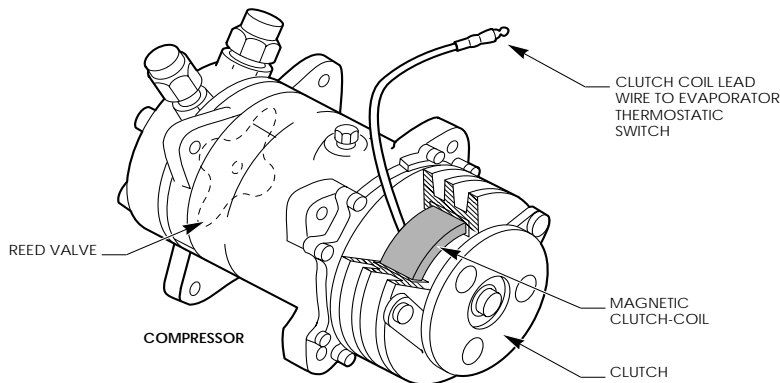


Figure 2-4

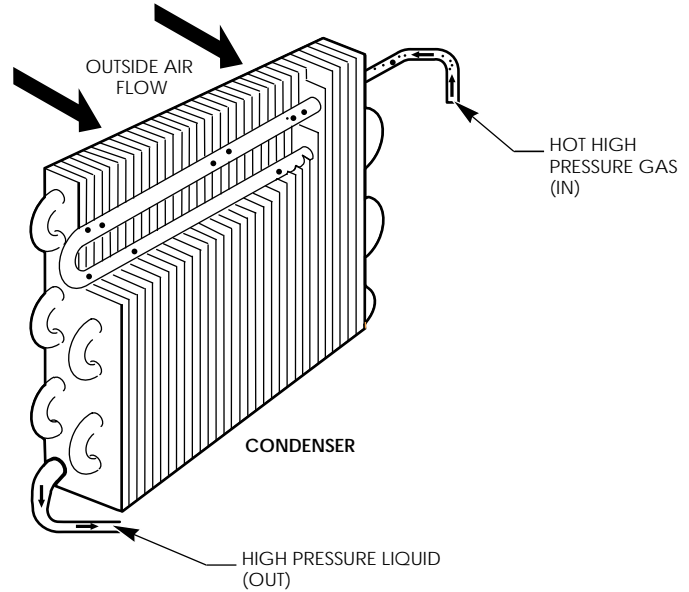
The clutch shown here has its electromagnetic coil mounted on the compressor body. When the coil is energized, magnetic force pulls the clutch drive plate into the pulley. This action locks the pulley to the compressor drive shaft and drives the compressor.

2. Condenser

The refrigerant gas leaves the compressor and moves through a high pressure hose to the condenser. Inside the condenser the gas “changes state” and becomes a liquid. It is still hot and under pressure. Remember in Chapter 1 when we talked about water at 212 degrees Fahrenheit? Heat energy was involved in the “change of state,” but the temperature did not change. The same kind of action happens inside the AC system. The refrigerant gas gives up a lot of heat energy to the outside air as it “changes state” in the condenser. Figure 2-5 illustrates a condenser. Air moving through the condenser absorbs heat from the refrigerant. The amount of air flow through the condenser is the major factor in how well the condenser functions.

Figure 2-5

As the refrigerant gas moves through the tubing coil from top to bottom, it condenses (changes state) into a liquid. For ease of installation, condenser fittings are often routed close together.

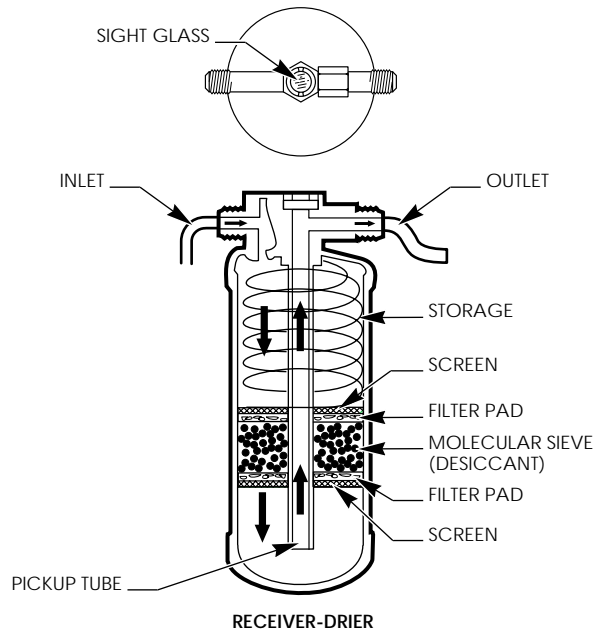


3. Receiver-Drier

The liquid refrigerant continues to move inside the system, out of the condenser through a tube or hose to the receiver-drier. The receiver-drier serves as a small storage tank and filter for the refrigerant. It is also a good location to mount pressure switches and often contains a sight glass (small window) used to view activity inside the system. The receiver-drier, Figure 2-6, also separates gas (bubbles) from the liquid with a pick-up tube as shown in this illustration. Some receiver-driers have a spring to preload the desiccant pack.

Figure 2-6

This cutaway view of a receiver-drier shows the filter elements, inlet, outlet and refrigerant path. The sight glass is a small window into the system used in diagnosis and when adding refrigerant (charging the system).



4. Expansion Valve (Refrigerant Metering Device)

When refrigerant moves from the receiver-drier, it travels through another high pressure hose to a metering device at the inlet of the evaporator coil. The metering device can be an expansion valve, an expansion tube or a combination (multiple function) valve. Between the compressor and this point inside the system, the pressure is high and can range from 150 to 250 pounds per square inch. The expansion valve (TXV) is closely connected to the evaporator. A diaphragm opens the valve by exerting pressure on the spring. Pressure comes from gas inside the diaphragm housing on top of the valve and in the sealed sensing bulb. The sensing tube is located in the outlet of the evaporator and picks up heat from warm refrigerant leaving the evaporator. The gas in the valve diaphragm housing and sensing tube expands when it gets warmer and forces the expansion valve open at the metering orifice.

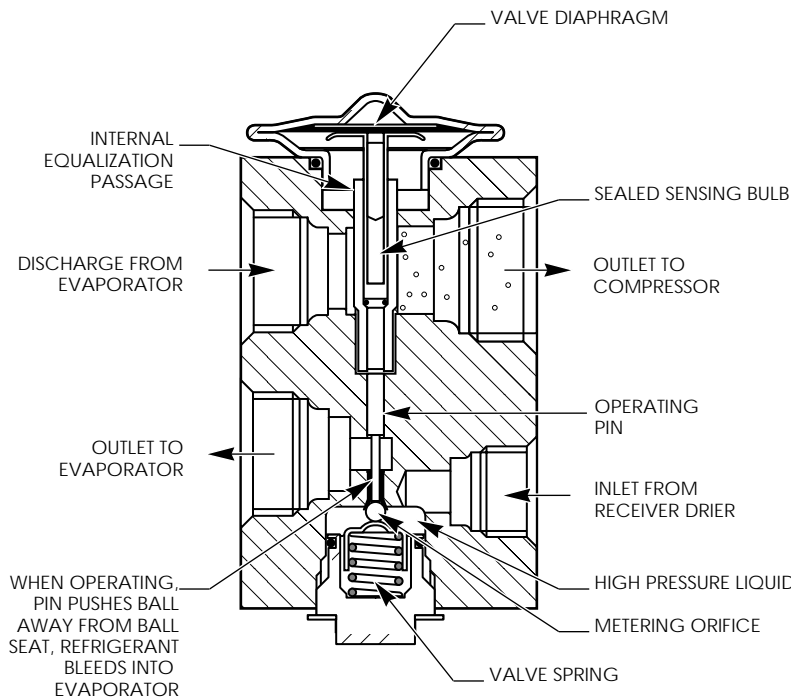


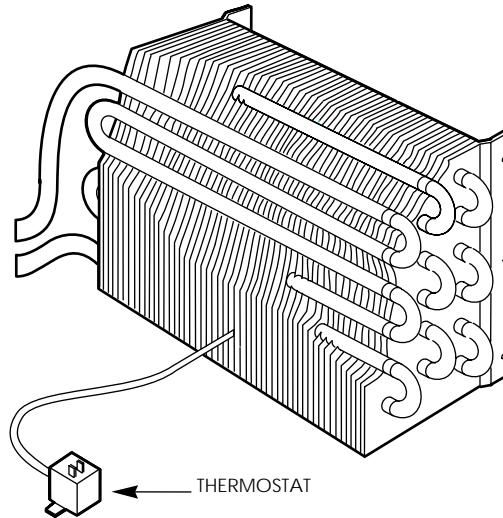
Figure 2-7
This block type expansion valve cutaway view will give you a better idea how these valves work. Spring pressure holds the valve closed.

5. Evaporator Coil

The expansion valve or other type of metering device bleeds high pressure refrigerant into the evaporator coil, where the pressure is low. The refrigerant expands rapidly in this low pressure environment. When it expands it “changes state”. The sudden drop in pressure brings the refrigerant temperature down quickly inside the evaporator coil. Figure 2-8 shows an evaporator coil and thermostat. Refrigerant is sprayed into the evaporator by the high side pressure when the expansion valve opens. The refrigerant absorbs heat from the air when the blower forces the air through the fins. When the thermostat probe senses the upper limit of the thermostat heat setting, a circuit closes. The compressor clutch engages and the compressor operates and moves more refrigerant to the high side of the system.

Figure 2-8

The evaporator coil as shown is of fin and tube construction. The thermostat probe is positioned in between the evaporator fins and senses the temperature.



Note: Moisture in the air (humidity) condenses on the fins of the evaporator as water droplets which drain out of the evaporator through a drain hose. This action dehumidifies the air in the cab as part of system operation, and contributes to operator comfort.

Cab air forced across the evaporator coil gives up heat energy to the cold refrigerant inside the coil. The cooled air circulates in the cab for occupant comfort. Refrigerant continues to expand and absorb heat energy in the evaporator coil. Refrigerant changes from liquid to gas before it leaves the evaporator on the way back to the compressor. The refrigerant gas moves to the compressor through a low pressure (suction) hose. When the compressor is operating, it sucks the refrigerant gas back inside, compressing and raising its temperature and pressure.

Some of AC system operation is controlled by the operator, and some is automatic. The operator can turn the system on and off, regulate the air velocity with the blower control, and in some designs adjust the thermostat control. The system and component operating range settings automatically cycle the clutch on and off. The operation of the expansion valve or other refrigerant metering device at the inlet to the evaporator is automatic.

Individual system features may differ, but the basic system function remains the same. Variations in components and controls are described in Chapters 4 and 5. The engine provides the power for both air conditioner and heater operation. It drives the AC compressor and the cooling system water pump. Engine RPM affects the efficiency of both the heater and air conditioner. The slower the engine RPM, the less capacity a heater or AC system will have.

WARNING

When an AC system is operating, the high pressure side components, fittings and high pressure lines or hoses can be hot enough to burn your skin if you touch them. This includes the compressor, clutch, hoses, condenser, receiver-drier, and any control devices or metal tubing. The low pressure side will be cool to the touch. In operation the AC system is under load and high side pressures normally range between 150 and 250 pounds per square inch for R-12 and higher for some other refrigerants.

Heater System Operation

Heater and air conditioner systems both have the same basic function of moving heat. They take advantage of nature's laws where heat energy always moves from a warmer to a cooler area. In a heater system there is no "change of state" involved in system operation. The system is sealed and operates under pressure, but the pressure is low when compared to an air conditioner.

A heater system uses the engine coolant to carry excess heat energy to the cab air. The heart of the system is the water pump. The water pump forces hot coolant through a hose from the engine block and through the heater core. The coolant is returned to the engine cooling system either at the suction side of the water pump or to the radiator.

A control cable, attached to a water valve between the water pump and the heater inlet, is used to control the flow of coolant to the heater. The heater fan or blower forces cab air through the heater core where heat energy moves from the engine coolant to the air in the cab. Figure 2-9 illustrates the main heater system components. In-cab controls, component housing and air vents are not shown.

The following heater components are discussed in detail in this section:

1. Heater Core
2. Water Valves
3. Defrosters and Ducts
4. Blowers and Fans

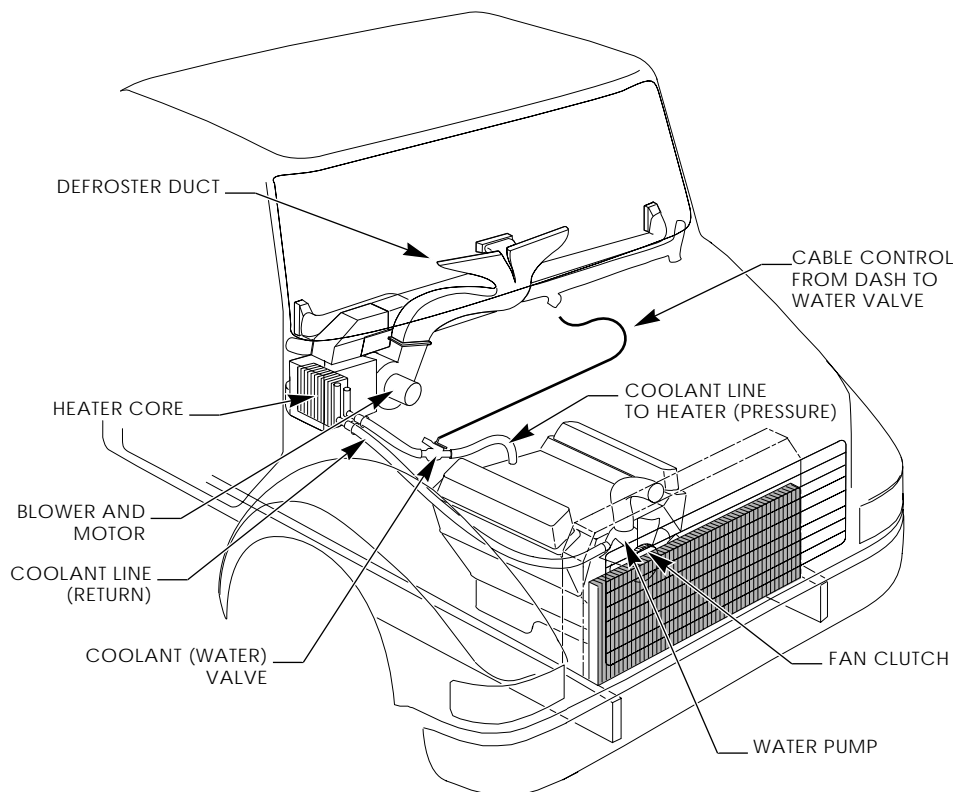


Figure 2-9

This view of a heater system shows the main components and how they are connected.

Additional heater controls, ducts, air vents, blend-air doors, temperature regulating devices and auxiliary heaters may be installed as part of a heater system. These may be air, vacuum, electrical or mechanically operated.

1. Heater Core

Heater cores are like small radiators. The fin and tube construction is designed to route coolant flow for the best possible heat energy transfer from coolant to cab air. Hoses from and to the engine are connected to the core with clamps. The core outlet may be larger or the same size as the inlet.

2. Water Valves

Water valves may be cable, vacuum or air controlled. The valve can be either open, closed or set part way open. Some valves have a bypass design to return coolant to the engine. Most are manually controlled although electronic systems are now being installed.

3. Defrosters and Ducts

Defrosting is accomplished by directing heated dry air through ducts to the windshield. The heater system serves the dual purpose of defrosting and heating. Controls are used to route the air flow to the windshield and occupant areas by opening and closing duct doors. Controls may be manual, air or vacuum.

Many vehicles use a “defrost interlock” system which utilizes the air conditioner to dry the defrost air and clear the cab windows more quickly.

4. Blowers and Fans

Blowers or fans are used in the system to move cab air through the heater core and evaporator. Air can be pushed or pulled through the core depending on system design. Blower or fan speed is usually selected by the operator.

Environmental Effects on System Operation

The environment outside the cab involves more than the weather. It may be hot and humid or cold and dry. That is only part of the condition the HVAC system must handle to maintain an ideal comfort range. A truck can be at idle, in traffic or moving along for hours on the Interstate at 65 M.P.H. The load condition on a trip can include going out full, coming home empty, or driving across the Rockies or Kansas plains during the day or night. The truck color and shape, the windows and angle of the sun are all variables that can increase or decrease the “load” on the system. The following are a few examples of environmental effect:

- A black cab-over (COE) with a dark color interior will be more difficult to cool than the same vehicle with white paint and a light colored interior. The black cab picks up and holds the radiant heat from the sun more easily than the white one.
- In Florida or Houston the humidity in mid summer can be very high with the temperature in the high 90's or low 100's. The AC unit must remove a lot of moisture from the air in the cab as the air moves through the evaporator fins. The more moisture on the fins, the less effective the transfer of heat is to the refrigerant inside the evaporator coil.

- On a cold day the temperature can drop below zero. The engine may run cooler so the engine coolant is cooler when it circulates through the heater. The heat in the cab moves out of the cab faster (remember heat always moves to a cooler area until both are the same temperature—nature’s law). To maintain cab comfort you have to increase the flow of coolant through the heater, increase coolant temperature, and/or move more air through the heater core.
- On a hot day, an off-road vehicle experiences cooling at a slower rate than an on-road vehicle. This is a result of high sun-load, large window area and often less insulation.

It is important for you to keep environmental effects in mind when you are servicing or diagnosing heater or air conditioner systems. If you work in Denver the altitude will affect system function and pressure. In Houston the heat and humidity may lower heat transfer to the air at the condenser and increase system operating pressures.

Chapter Review

- HVAC systems range from simple cab heaters to multi-function combination systems. The multi-function system can heat and cool the cab and sleeper unit, and have separate auxiliary components and controls for driver and passenger comfort.
- Both heater (engine) coolant and air conditioner refrigerant circulate inside sealed, pressurized systems. The normal air conditioner operating pressure ranges from 150 to 250 pounds per square inch, sometimes higher with a different refrigerant.
- Air conditioners have a high and a low pressure side within the system. The compressor is the starting point of the high side. Pressure drops at the expansion valve opening to the evaporator.
- The basic components of an AC system are the compressor-clutch assembly, high pressure lines, condenser, receiver-drier, expansion valve, evaporator, thermostat, blower assembly, and suction lines. There may be other controls installed for more complex systems.
- The basic components of a heater system are the inlet and outlet hoses, a water valve and valve control, heater core and fan or blower assembly. There may be other controls for more complex systems.
- An air conditioner system uses the “change of state” of refrigerant inside the system to move heat from the cab air to the outside air. Refrigerant changes from a gas to a liquid in the condenser, and back to a gas in the evaporator.
- A heater system uses the heat from the engine, carried to the heater core by the action of the water pump, to warm the air in the cab. There is no change of state within the heater system.
- Environmental conditions affect how both heaters and air conditioners work. Weather, driving conditions, color of the vehicle are factors. All contribute to heat gain or loss inside a cab and how much heat energy must be moved to maintain occupant comfort.

Chapter 3 Heater Components and Controls

Click on any of these subject headings to go directly to the page

- Engine Coolant or Anti-freeze
- Cooling System Thermostat and Radiator Pressure Cap
- Water Pump
- Heater Components and Controls
- Chapter Review

Engine Coolant or Anti-freeze

Ethylene glycol-type coolant (anti-freeze) is mixed with water and used in most vehicle cooling systems today. Additives in the coolant formula lubricate the water pump, reduce the chance of rust or corrosion, and prevent foaming. Although it is often called permanent anti-freeze, the additives break down in time and lose their protective qualities. For this reason coolant should be changed at regular intervals. Five main reasons to use coolant in the engine are:

1. It has a much lower freezing point than water.
2. It has a higher boiling point than water.
3. It is inexpensive.
4. It prevents corrosion for a reasonable period of time.
5. It absorbs and gives off heat energy effectively under a great range of operating conditions.

Mixing 60% ethylene glycol with 40% water protects the cooling system from freezing to -65 degrees Fahrenheit. Adding more anti-freeze does not prevent freeze up at lower temperatures, but it does raise the boiling point of the solution.

WARNING

Use care in handling anti-freeze. It is a petroleum based liquid that can irritate the skin and eyes. The sweet taste is appealing to animals and can be deadly if consumed. Check for local regulations on disposal and recycling.

Cooling System Thermostat and Radiator Pressure Cap

These two cooling system control devices affect heater system operation, including coolant temperature, circulation, boiling point, and coolant overflow and recovery system. Figures 3-1 and 3-2 illustrate the function of the thermostat and radiator pressure cap respectively. Descriptions of how the thermostat and radiator cap work follow the figures.

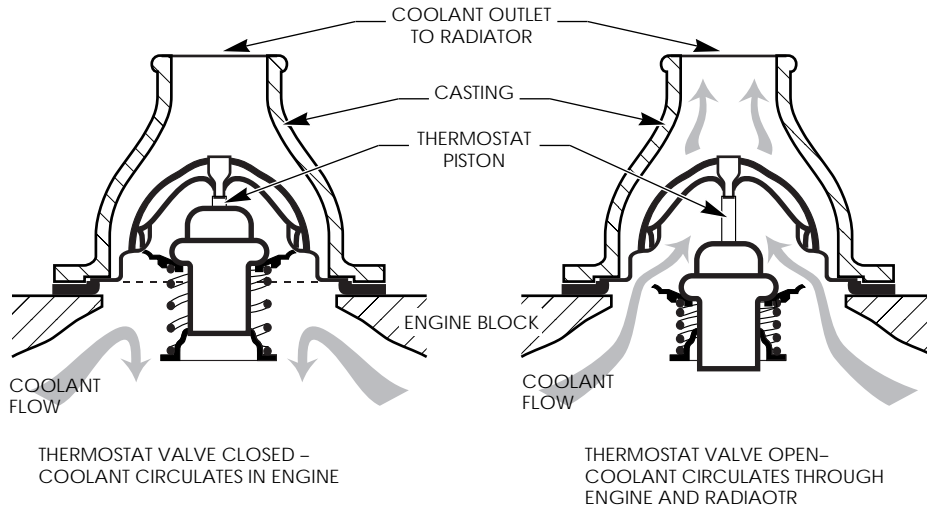


Figure 3-1
The thermostat is shown in both closed and open positions. When closed coolant does not circulate through the radiator.

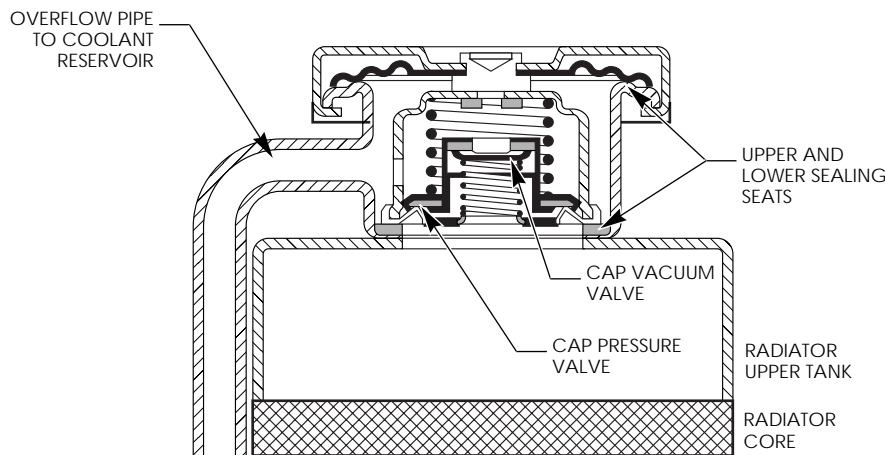


Figure 3-2
The pressure radiator cap seals the cooling system. The cap pressure valve opens when operating pressures are high.

1. Thermostat - controls the direction of flow of the coolant from the water pump, through the engine and radiator. As the engine warms up the thermostat opens, allowing the coolant to flow to the radiator. The coolant gives up excess engine heat to the outside air as it moves through the radiator. If the engine is cold, the thermostat stays shut and the coolant by-passes the radiator and circulates in the engine, as well as the heater core.

2. Radiator - radiator cap seals the cooling system at the inlet on top of the radiator. Caps are pressure rated to match cooling system design. Each pound of pressure on the cooling system raises the boiling point of coolant three degrees Fahrenheit, so the pressure cap extends the cooling system operating range above the normal boiling point. Coolant can flow through the heater core regardless of thermostat position.

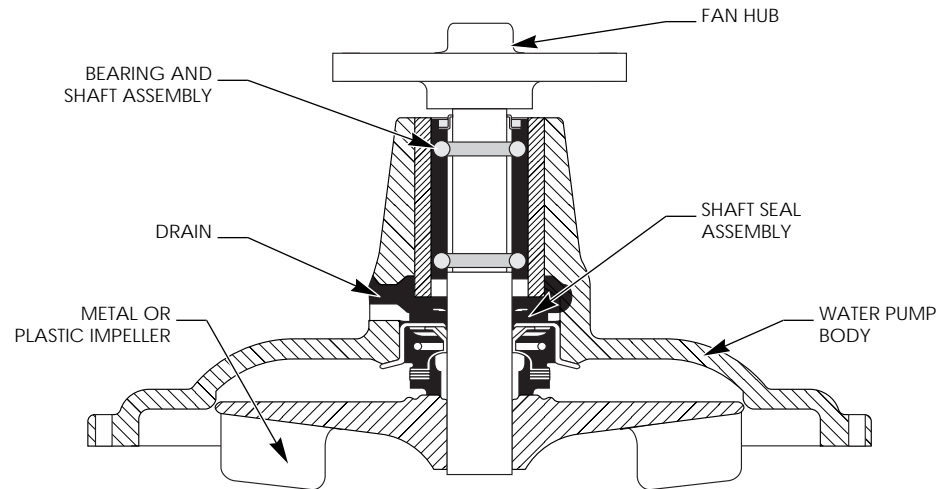
Altitude lowers the boiling point of coolant by two degrees Fahrenheit for every 1000 foot increase of elevation above sea level. As you can see, the pressure cap tends to compensate for a lower boiling point at higher altitude. When high system pressure forces the radiator cap to open, coolant escapes to the coolant reservoir. A low pressure or slight vacuum inside the system sucks coolant back to the radiator from the reservoir.

Water Pump

Modern water pumps have a centrifugal design. Vanes or impellers in the pump circulate the coolant. Figure 3-3 shows a cutaway view of a water pump assembly.

Figure 3-3

This cutaway drawing shows the main components of a water pump. Vane or impeller type pumps work best at high speed. Keep in mind that the speed of the pump is in proportion to engine RPM.



Heater Components and Controls

The basic heater system components discussed in this section are:

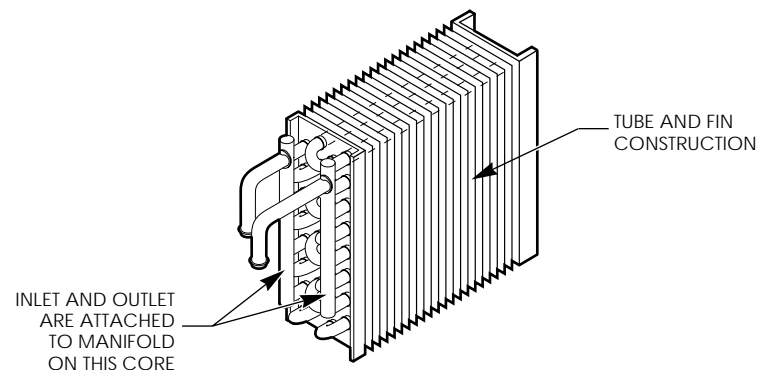
1. Heater Core
2. Heater System Ducts
3. Blower or Fan and Motor Assembly
4. Hoses and Fittings
5. Controls

1. Heater Core

Most heater cores are of tube and fin construction, with the inlet and outlet on one end of the core. Hoses connect the core to the engine and are held securely by hose clamps. Figure 3-4 illustrates a heater core. They come in many sizes and shapes to meet cab space and heat energy transfer requirements.

Figure 3-4

In the heater core heat energy moves from the hot engine coolant to the air in the truck cab. Cores come in all sizes and shapes to meet heat transfer needs.



A large capacity heater core has more tubes and more fin area so that more coolant can circulate through the tubes and more air moves through the fins. The result is more heat energy transfer to the air in the cab.

2. Heater System Ducts

Ducts direct and control air as it circulates through the heating system. The heater core housing is usually part of the duct system as is the blower or fan assembly. Air outlet duct openings are usually located close to the floor. The outlets are positioned to direct warm air to the feet and body of the occupants.

All heater/defroster systems pick up some outside air and mix it with cab air. They often have doors inside the duct system to regulate, mix or restrict air flow as part of the heater control system. Many heater systems use 100% outside air. Only auxiliary heaters use 100% cab air. Figure 3-5 illustrates typical heater system ducts with heater components. The arrows indicate the air flow pattern through the duct system. This view of a typical heater system does not include heater hoses, clamps, a water valve or controls.

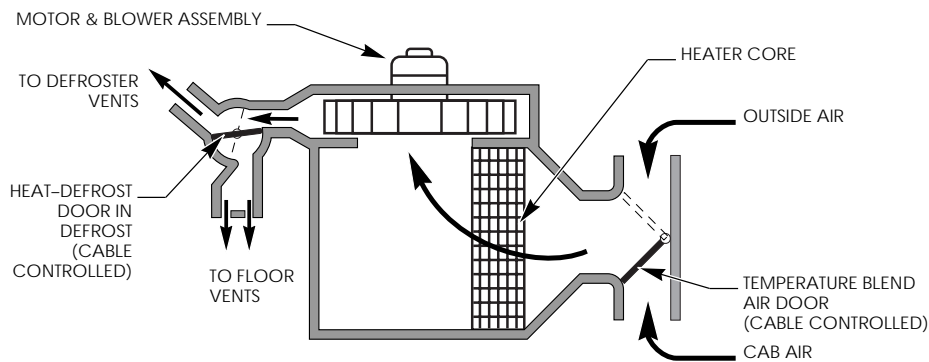


Figure 3-5

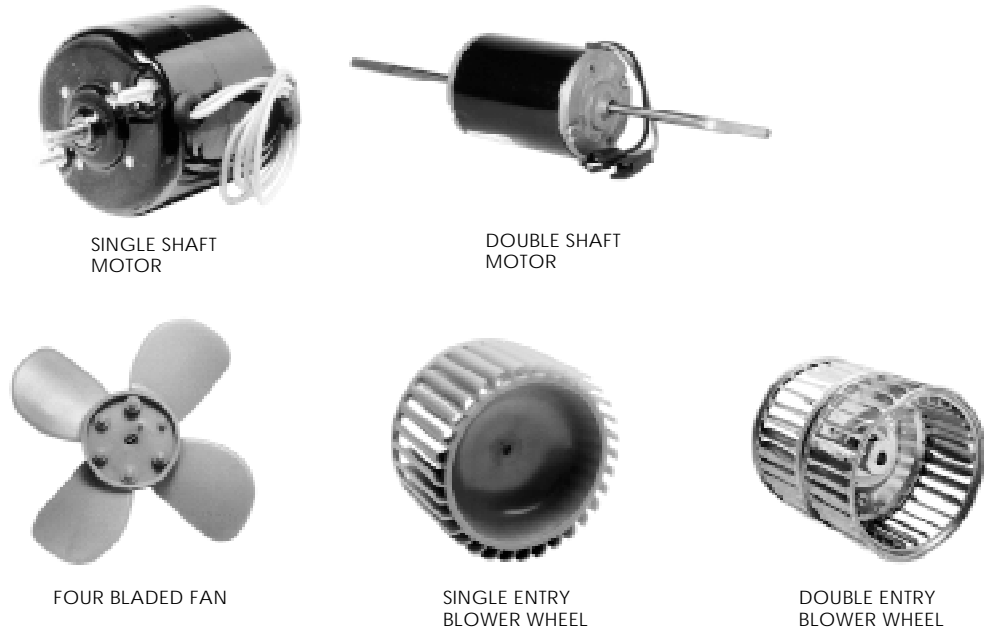
The drawing illustrates the relative position of the heater core, a (pull through) motor and blower assembly, and two doors inside the duct system. These doors control air mixing at the inlet side of the system and direct the air to the cab and defroster vents.

3. Blower or Fan and Motor Assembly

Air movement in a heater system depends on the blower or fan. The operator selects the motor speed to control the amount of air circulated through the system. Motors have one to four speeds, depending on heater design. Both single and double entry blower wheels are used. Figure 3-6 shows and describes typical motors, blower wheels, and a fan.

Figure 3-6

These illustrations show a single shaft motor, double shaft motor, double and single entry blower wheels and a four-bladed fan.



4. Hoses and Fittings

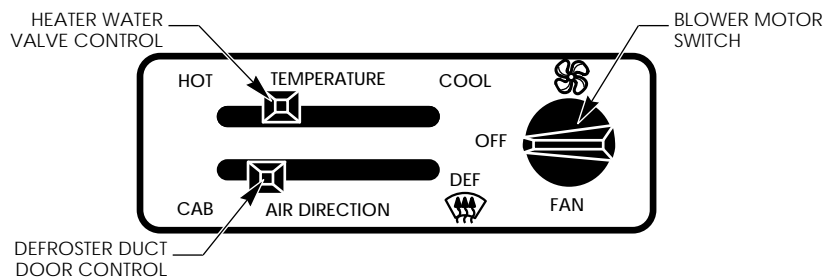
Heater hoses are usually 5/8", but may be 3/4" or 1" sizes. The heater inlet hose may be smaller or the same size as the heater outlet hose. Hoses are usually held in place by clamps. Some water valves shunt excess flow or pressure back to the coolant return hose, assuring full flow of coolant and relieving pressure on the valve.

5. Controls

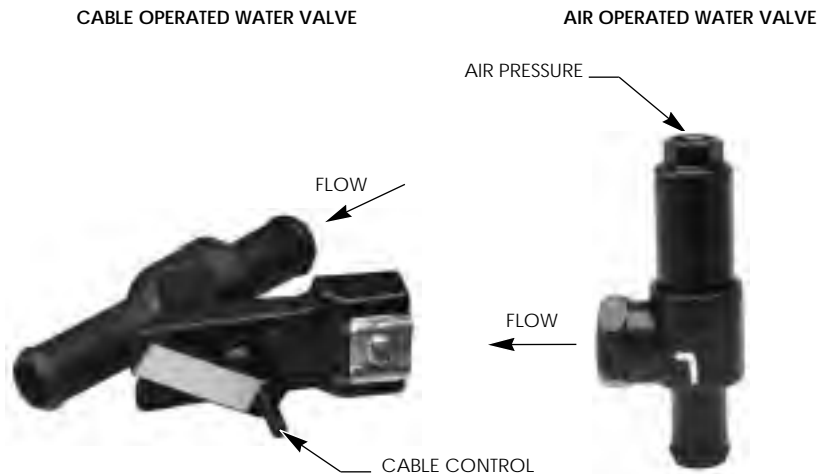
The controls allow the operator to turn the heater on and off and regulate the direction and quantity of warm air flow. Figure 3-7 shows a typical heater control panel.

Figure 3-7

This heater control panel includes water valve, defroster duct, and blower motor controls.



When you turn the system on, the water valve opens to allow hot engine coolant to flow through the heater core. The blower motor circulates cab air through the heater core to warm the air. Water valves may be cable or air operated. Figure 3-8 illustrates both types.

**Figure 3-8**

This illustration shows air and cable controlled water valves.

When a separate control panel is installed in the bunk area of a cab, there may be one type of control for the cab and another type for the sleeper. The bunk control is often a thermostat, cycling the fan on and off to maintain a constant temperature. Motor switches usually have one to three speed positions plus off.

In a typical heater system, other controls you may encounter position the doors inside the ducts to direct air flow. The defroster control is the main one you will find in basic heater systems. This is usually a cable controlled door that diverts warm air to the windshield or floor.

In HVAC systems the number of doors in the system and their function will vary depending on system design. Doors operate electrically, manually, or automatically, by cable, vacuum, compressed air or by some combination of these controls. In certain HVAC systems, the defrost mode activates the air conditioning system. The air conditioner will dry the heated air flowing to clear the windshield. This is commonly referred to as a “defrost interlock.”

Chapter Review

- In review, the heat energy for heating cab air comes from the hot engine coolant. The coolant is a combination of water and anti-freeze (ethylene glycol). The engine water pump circulates coolant. The thermostat directs the flow of coolant in the engine and to the radiator. The radiator pressure cap allows the cooling system to operate under a preset amount of pressure. Each pound of pressure increases the boiling point of the coolant by three degrees Fahrenheit. The boiling point drops by two degrees Fahrenheit for every 1000 feet of truck operating elevation.
- Heater systems are designed to transfer heat energy from the engine coolant to the air in the cab. A water valve controls coolant flow to the heater core. A fan or blower forces cab air through the fins of the heater core and heat from the coolant is transferred to the air. The heater duct system and air vents direct air movement in the cab.

- There are various methods for controlling air temperature and movement in a heater or HVAC system. In a simple system there is usually an on-off switch for the fan or blower motor. Most have three speeds plus “off.” The water valve may be cable controlled, as is the defroster door. More complex systems may have air pressure switches and air controls, vacuum controls, electronic controls, and various doors to control air flow direction.
- In heater systems air outlet temperature is controlled by one of three methods:
 1. The water valve which varies the amount of coolant passing through the heater core.
 2. A blend air door where cool air is mixed with heated air to obtain the desired temperature.
 3. Electronic controls, which we will cover in Chapter 5 of this manual.
- Full fresh air system designs use 100% fresh air in all but “off” and “maximum” air conditioning control settings. These systems offer advantages you should be aware of. Fresh air increases air pressure in the cab, thus any openings leak outward. This eliminates cold spots and provides a more uniform cab temperature. Air moving out of the cab openings tends to act as a sound barrier and reduce cab noise levels. The fresh air leaking out of the cab also provides a continuous change in the cab air and purges smoke, other air contaminants and any excess moisture.
- Some systems activate the air conditioner in the defrost mode to remove moisture from the heated air. This ensures quick defogging of the windows.

Chapter 4

Click on any of these subject headings to go directly to the page

Air Conditioner Components

- Refrigerant
- Lubricants
- Compressors
- Compressor Output
- Clutch
- Condensers
- Receiver-Drier
- Accumulator
- Expansion Valves & Other Metering Devices
- Evaporator Coil
- Blower/Fan & Motor Assembly
- AC System Ducts
- AC Hoses and Fittings
- Chapter Review

Refrigerant

The refrigerants we use in AC systems are commonly referred to as R-12 (Freon 12) or R-134a (HFC-134a). They have no color and only a slight odor. They are non-toxic, non-corrosive and non-flammable chemicals in the form of liquefied gas. Because the boiling point of a refrigerant is far below 0 degrees Fahrenheit, it is sold in sealed metal containers so it won't evaporate.

WARNING

Although refrigerants are safe to use, they can be dangerous to you and others if you do not use common sense when you work with them. AC systems operate under pressures much greater than the truck engine cooling system. The containers refrigerants are sold in are also under pressure. At 77 degrees Fahrenheit outside temperature, the pressure inside the refrigerant container is 80 PSI. When released into the air, a refrigerant boils away and becomes a gas. It's temperature drops **INSTANTLY**. Please be sure to read about safety and safe handling of refrigerants in *Chapter 6*. Improper use can cause frostbite and eye damage. Breathing refrigerant gas can result in respiratory problems, especially for people with cardiovascular disease.

R-134a (HFC-134a) is gaining favor as the “environmentally friendly” substitute for R-12 in mobile HVAC systems. Properly designed R-134a systems will equal or surpass the performance of R-12 systems, without danger to the earth’s ozone layer. As the production of R-12 and other CFC chemicals ceases during the mid-1990’s, more emphasis will be placed on the development of R-134a systems and the recovery and recycling of R-12 in existing equipment. Refrigerants have the ability to absorb and move a lot of heat energy from inside a truck cab to the outside. This is because the refrigerant in the system is controlled to change state at just the right temperature and pressure. Note in Figure 4-1 that a refrigerant changes state in the condenser and the evaporator.

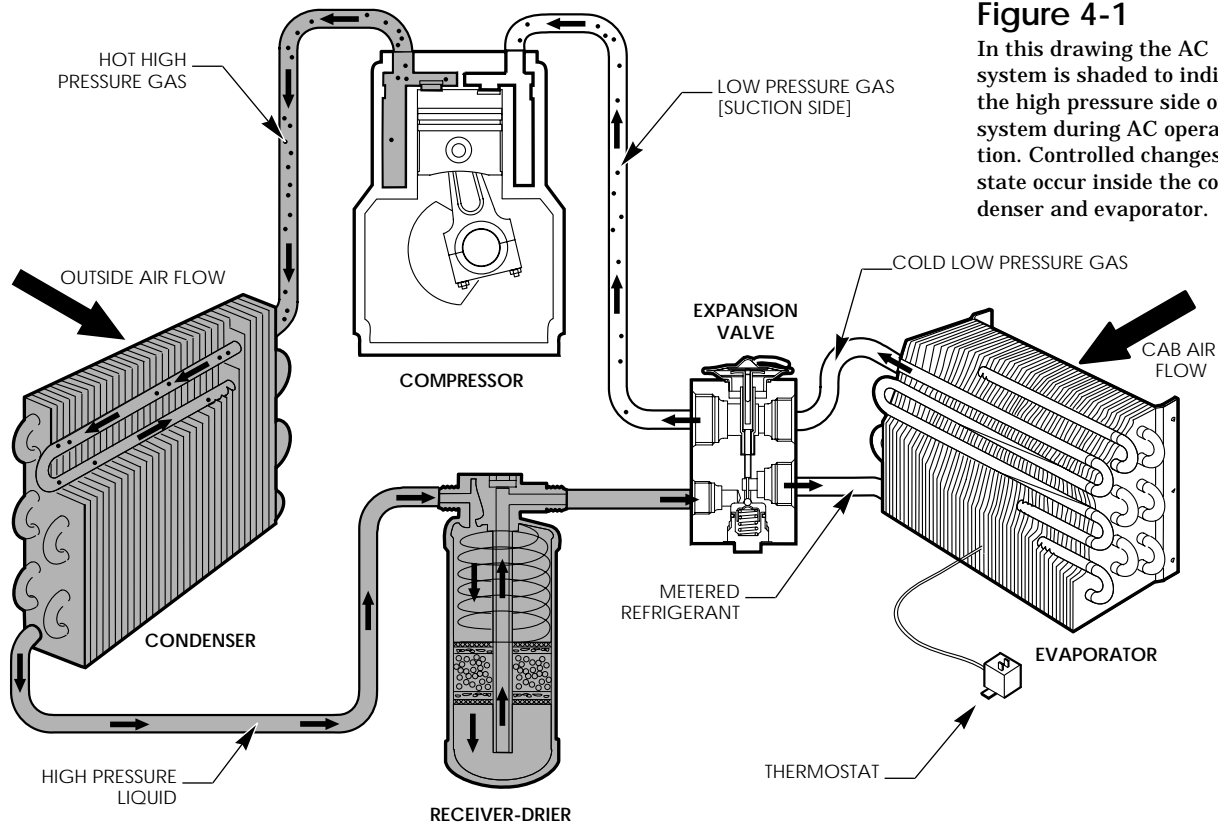


Figure 4-1
In this drawing the AC system is shaded to indicate the high pressure side of the system during AC operation. Controlled changes of state occur inside the condenser and evaporator.

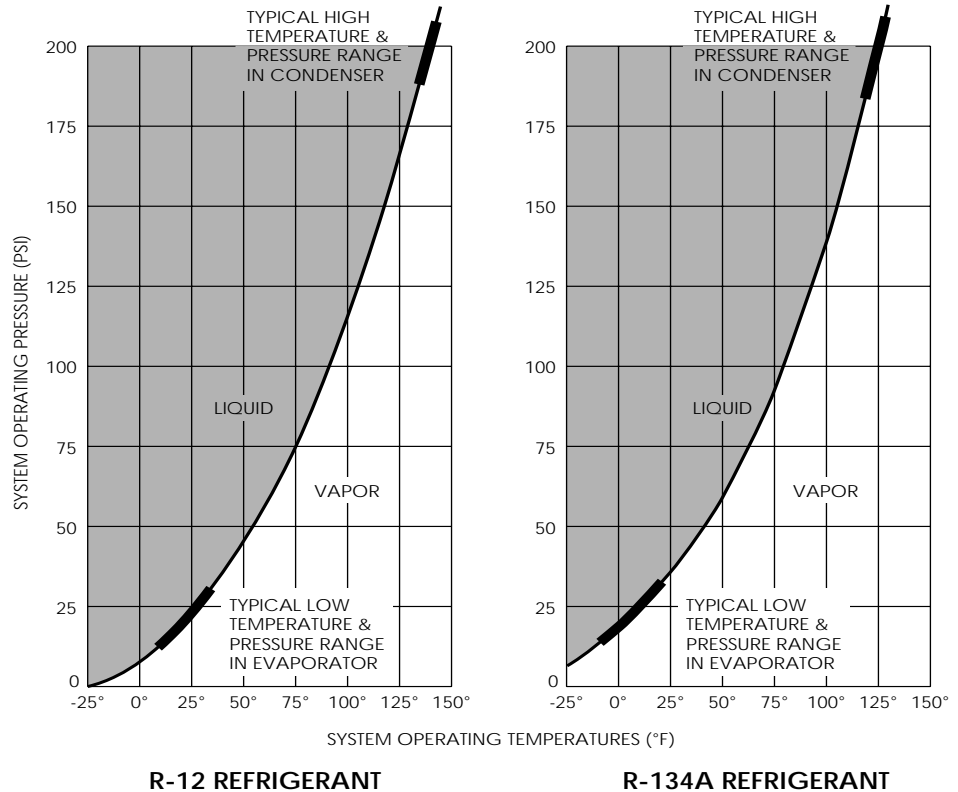
Vehicle operating conditions such as engine RPM and air temperature influence actual AC system operating temperature and pressure. These factors, along with the relative humidity, influence operator comfort (how efficiently the system moves heat energy from the cab to outside air).

When a refrigerant changes from a high pressure liquid to a low pressure gas in the evaporator, the refrigerant is much cooler than the air in the truck cab. Nature’s law takes effect, (remember how heat energy always moves from a warm to a cooler environment) and the heat energy in the cab air moves into the refrigerant in the evaporator coil. The refrigerant gets warmer and the cab air colder. Figure 4-2 shows the refrigerant “change of state” in graphic form as that change is related to pressure and temperature. The curved line indicates a typical pressure/temperature range inside the evaporator and condenser.

When refrigerant enters the condenser (from the compressor) as a high temperature high pressure gas, it is much hotter than the outside air. Again, nature’s law takes effect and heat energy in the refrigerant moves into the air as the air passes through the condenser fins.

Figure 4-2

This graph shows the pressure/temperature relationship of R-12 and R-134a inside the AC system. Refrigerant is a liquid on the left (shaded) side of the curved line. On the right side it is a vapor or gas.

**WARNING**

As controlled by federal law and in agreement with other countries, the production of R-12 is being phased out. Air conditioner systems with R-134a are appearing in many vehicles. These two refrigerants must not be mixed. This means that different equipment must be used in the handling of each refrigerant.

The Society of Automotive Engineers (SAE) has created certain Standards or Recommended Practices for handling refrigerants. For example, different service fittings are specified for R-12 and R-134a.

Combining R-12 and R-134a can result in poor cooling performance, higher operating pressures and inadequate lubricant circulation.

Lubricants

Lubricants, like other system components, are developed for use with specific refrigerants. Mineral oil works very well with R-12 but becomes chemically unstable with R-134a.

Polyalkylene glycols, called PAGs, are being considered by many for use with R-134a. In addition, a family of ester based lubricants are being given serious consideration.

The lubricant is in the system to protect the compressor from wear and failure. With R-134a the compressor manufacturer specifies the lubricant best suited to its product. On new R-134a systems labeling should identify the type and amount of lubricant.

All PAG-based lubricants are not necessarily the same. Different compressor manufacturers use different additives. Unlike the mineral oil lubricant for R-12, you may need to keep several different lubricants on hand for use with R-134a.

In retrofit systems use that lubricant recommended by the compressor manufacturer.

Lubricants that come out of an air conditioning system should never be reused. Contaminants and moisture are probably contained in such material.

Compressors

When a compressor is engaged and driven by the engine through the clutch pulley, the compressor functions as a pump to move refrigerant and refrigeration oil around the AC system. The compressor pistons move back and forth within their cylinders as the compressor shaft revolves. A special lubricating oil is used for each AC compressor. This oil, called refrigeration oil, is formulated to be moisture free and compatible with the refrigerant used. It circulates throughout the AC system. The lubricant used with R-12 is not compatible with R-134a.

We generally refer to an AC system as having a suction or low (pressure) side and a discharge or high (pressure) side. The two sides of the system are divided at the compressor, and at the expansion valve (refrigerant metering device) located at the inlet to the evaporator.

The compressor pulls refrigerant gas from the evaporator, through the low pressure suction hose, the inlet service valve and one way reed valves, and into the compressor. During compression strokes, refrigerant gas is forced out of the compressor through more one way reed valves, an outlet service valve and a high pressure discharge hose to the condenser. The pressure from compressor action moves the refrigerant through the condenser, receiver-drier and connecting hoses to the expansion valve. Figure 4-3 shows typical compressor function in the AC system. Note the parts of the system under high and low pressure.

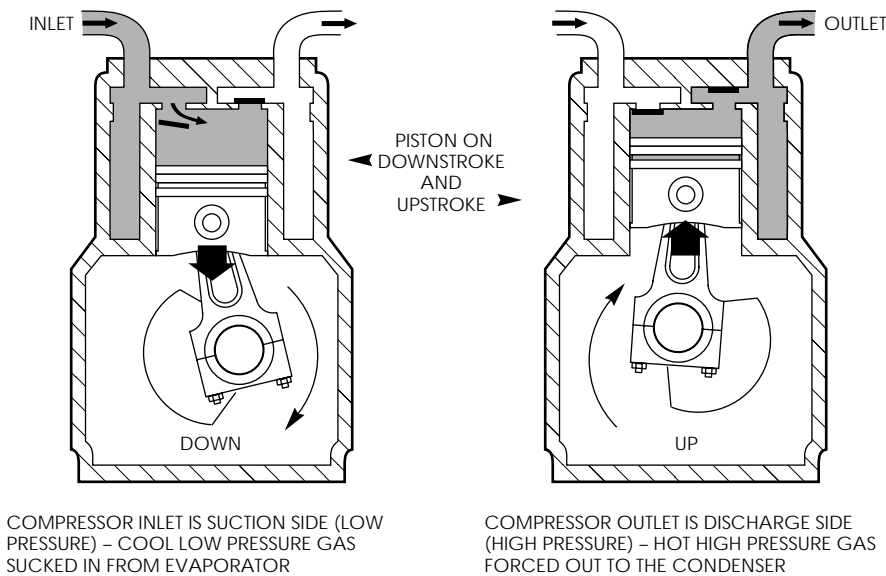


Figure 4-3
In these drawings of a two-cylinder compressor the suction or low pressure side and discharge or high pressure side are noted in a cutaway view.

We deliver power to the compressor through the clutch pulley. The pulley is driven by a V-belt connected to another pulley powered by the truck engine. The location of the compressor relates to the truck design and options, available space under the hood, and the AC system components selected.

CAUTION

Heavy duty vehicles are subject to severe extended use and much more vibration and road shock than passenger cars. For this reason secure compressor mounting, accurate pulley alignment and proper belt tension are very important. The compressor mounting bracket is adjustable to allow for proper belt tension.

Pulley alignment and belt tension are critical for efficient compressor operation and good belt life. To tension the V-belt properly, the compressor or its mounting bracket must be adjustable and securely bolted in position when attached to the engine.

The proper type and amount of lubrication is critical to achieving good compressor life.

The five types of compressors you are likely to encounter in your work are:

1. Two-Cylinder Compressor
2. Four-Cylinder Compressor
3. Five-Cylinder Compressor
4. Six-Cylinder Compressor
5. Wankel Compressor

Each is identified in the photos in Figure 4-4. They are different in design and construction, but all do the same job.

Figure 4-4

The compressor designs shown here all function to move refrigerant and refrigeration oil around inside an AC system. The two, four, five, several six cylinder, and the Wankel compressors are illustrated.



CCI OR TECUMSEH TWO-CYLINDER



SANDEN FIVE-CYLINDER



ZEXEL



HARRISON (GM) FOUR-CYLINDER RADIAL



HARRISON (GM) SIX-CYLINDER AXIAL



WANKEL RADIAL



HARRISON (GM) SIX-CYLINDER DA-6 (METRIC)

1. Two-Cylinder Compressor

Many two-cylinder compressors are in use today. The Tecumseh has a cast iron body and the York or CCI (Climate Control Inc.) is made of cast aluminum. Both use reed valves mounted in a valve plate between the top of the cylinders and the cylinder head. These in-line compressors may be mounted horizontally, vertically or any angle in between. A pressure differential of low pressure at the intake and high crankcase pressure—along with centrifugal force from the rotating crankshaft—create lubrication pressure for oil circulation. The service fittings for charging or evacuating the AC system are attached to the cylinder head of these compressors.

2. Four-Cylinder Compressor

Four-cylinder radial compressors are produced by Tecumseh and Harrison (GM). The cylinders are arranged inside a round housing in such a way that they radiate from the center like the spokes of a wheel. The pistons are moved in and out within the cylinders by a scotch yoke. A scotch yoke is like a figure eight-shaped cam. The yoke pushes two opposite pistons out to the top of their stroke and pulls the other two in to the bottom of theirs. Each of the cylinders has its own reed valve plate. The movement of the pistons circulates the refrigerant oil.

3. Five-Cylinder Compressor

The five-cylinder axial compressors made by Sanden and Zexel have five cylinder bores, each fitted with a piston. The pistons are moved back and forth by a rod that is attached to a rotating cam rotor by a ball and socket joint. A reed valve plate mounts between the top of the cylinders and the cylinder head. An inlet and a discharge port are mounted on the cylinder head. The pressure differential between the inlet pressure and the pressure inside the crankcase forces lubricating oil to all of the moving parts in the system.

Note: Seven cylinder compressors will be found on many R-134a applications.

4. Six-Cylinder Compressor

Six-cylinder axial compressors are made and marketed by Zexel, GM (Harrison Division), Ford, Chrysler and Nippondenso. All have three cylinder bores, each fitted with double-acting pistons. The pistons have a head on both ends. As they move back and forth inside the cylinder bores, they cause each bore to act as two separate cylinders. The pistons are moved by a swash plate that is mounted on the compressor shaft. These compressors have two reed valve plates, one at the front and one at the rear. Internal passages join the six cylinders so that refrigerant can flow into and out of all cylinders through the one high and one low side service fitting mounted on the rear of the compressor.

The Zexel compressor has design improvements for easy seal replacement. The General Motors (Harrison) DA-6 is a downsized, lightweight version of earlier GM A-6 six cylinder axial compressors. The DA-6 is easy to service or repair, and has all metric dimensions. It looks different than the old A-6 but works the same way internally. Components have smaller dimensions so parts are not interchangeable with the A-6.

5. Wankel Compressor

The Wankel Rotary compressor, has a figure eight-shaped cavity in the compressor center housing. A triangular rotor is driven by gears from the compressor drive shaft. As the rotor turns, a low pressure (suction) is formed at the suction ports and a high pressure is built up at the discharge ports. The suction and discharge ports are located on the compressor end plate, along with the two service ports. There is no suction valve, only a discharge valve.

Compressor Output (Efficiency)

Engine speed has an effect on the output of all compressors. The two charts in Figure 4-5 show typical compressor output variations. The column of numbers on the left of each chart represent BTU's per hour (x1000) based on the compressor speeds (RPM) shown across the bottom. As you can see, the faster the engine turns the compressor shaft, the greater the output. Note how rapidly output is increased by operating speed of the compressor, and the effect suction pressure (operating conditions) can have on compressor output. Actual operating conditions will affect these performance curves.

Note: Larger capacity compressors like the Climate Control Inc. 210 and Sanden model 510, are frequently specified for heavy duty vehicle applications. Larger capacity compressors are very important when a separate bunk AC unit is part of the system.

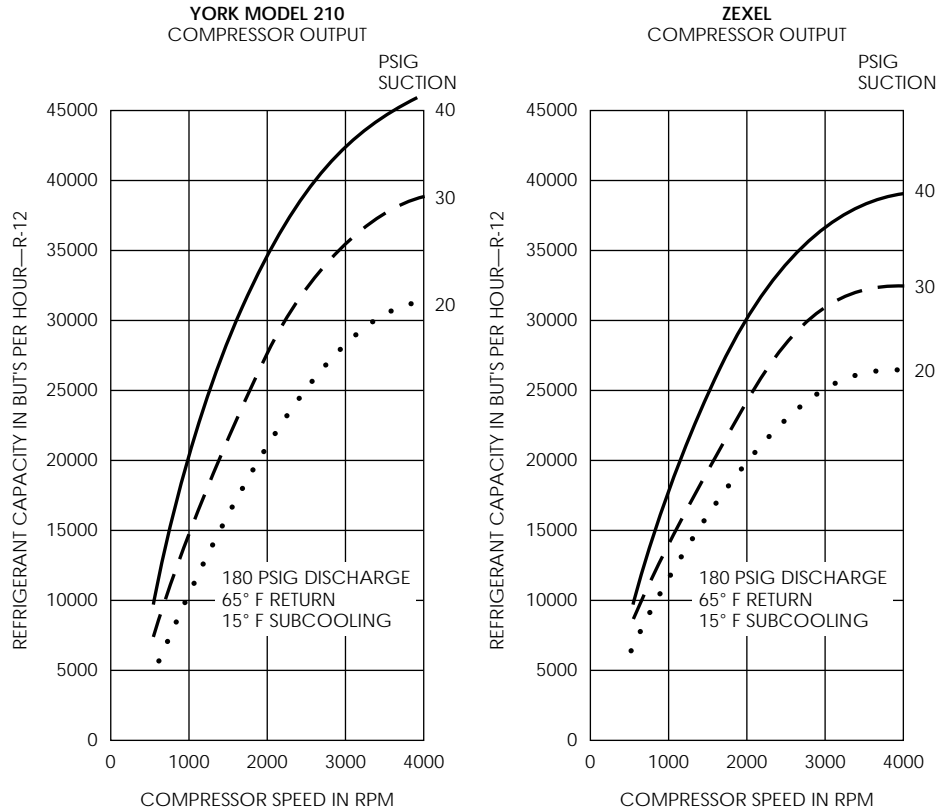


Figure 4-5

Each chart plots compressor output curves at three suction pressures or PSIG (pounds per square inch gauge). The three pressures represent variations in operating conditions for these two compressors.

Clutch

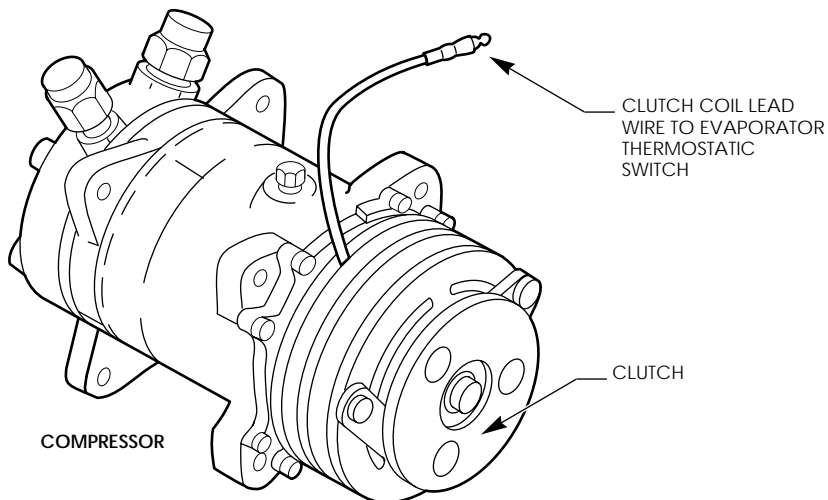
The clutch is driven by the truck engine through a V-belt running in a grooved clutch pulley. The clutch pulley rides on ball bearings and can turn without driving the compressor shaft. Heavy duty clutches have double row ball bearings. An electromagnetic coil is mounted inside the pulley housing and bolted to the compressor body. The clutch drive plate is bolted to the compressor shaft. There is a small amount of clearance between the plate, pulley and coil.

When the AC system thermostat control in the evaporator calls for cooling, current flows through the coil inside the pulley. This sets up a magnetic field between the drive plate and the pulley. The magnetic field locks the pulley to the drive plate, causing the pulley to turn the compressor shaft. When the clutch is not engaged the pulley spins free without turning the compressor.

Electrical connection to the clutch coil is made through lead and ground wires. Figure 4-6 illustrates the clutch mounted on a compressor.

Figure 4-6

A clutch is shown in this illustration. Typically, a thermostat in the evaporator acts as a switch and directs electrical current to the clutch coil. When the coil is energized the drive pulley turns the compressor shaft.



Note: In some systems (primarily GM systems) the clutch remains engaged to drive the compressor continuously during normal operation of the air conditioner. System pressure and refrigerant flow are controlled using suction throttling or POA valves at the outlet of the evaporator.

Condensers

Condensers transfer heat energy to the outside air. Condensers may be mounted on the roof, or behind the grill on the front of the radiator, or may replace the grill. There are many shapes and sizes to accommodate AC system design requirements. They include:

1. Radiator Mounted
 - a. Serpentine
 - b. Parallel Flow
 - c. Tube & Fin
2. Remote Mounted

Radiator-mounted condenser construction, currently in use, is as follows:

- a. Tube and fin construction is characterized by the use of round tubes inserted through fin material and then expanded. Hairpin tubes are used to complete the circuit. This is the strongest type of construction.
- b. Serpentine construction uses single, flat tubing containing multiple passages that snake from the top to the bottom of the core. Fins are either the Skyve-type or brazed-ribbon. Serpentine condensers are 3/4 to 2 inches thick and exhibit high heat rejection in a compact size. The pressure drop through the core is most often greater when compared to tube and fin construction.
- c. Parallel-flow condensers are highly efficient, using brazed-ribbon fins. This is the most efficient type of construction, but is not as strong as either tube and fin or serpentine. There is also a greater pressure drop through the core than the tube and fin style.

Refrigerant flows through the condenser tubing from top to bottom. The fittings are located for convenience of assembly. As hot refrigerant gas from the compressor moves through the condenser tubing, it gives up heat energy to the outside air stream. The refrigerant gas becomes cooler and at the right temperature and pressure will “change state” in the condenser and become a liquid. This change usually takes place in the bottom third of the condenser.

Condenser function requires the movement of a large amount of air between the condenser fins. The air passing through the fins absorbs BTU's of heat energy from the hot, high pressure refrigerant gas inside the condenser. Engine radiator or auxiliary fans must work properly and the condenser fins must be kept clear of debris or obstructions for efficient condenser function. Figure 4-7 shows several types of condensers.

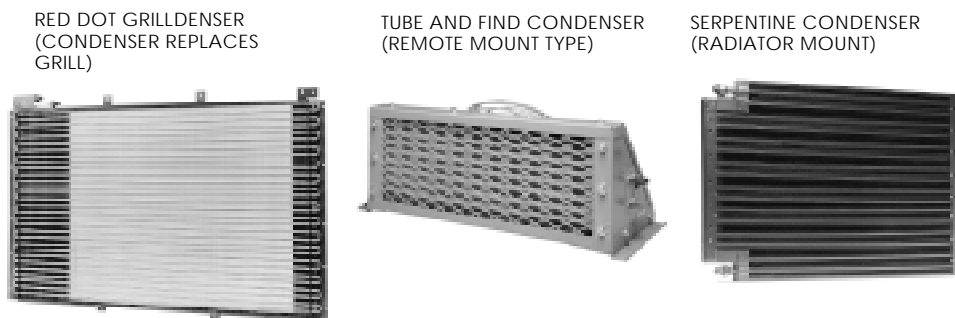


Figure 4-7
These condenser types are explained in the illustrations. The typical behind the grill condenser, a remote mounted unit and a Grilldenser.

Note: When refrigerant gas gives up heat to the outside air and becomes a liquid inside the condenser—**it is still hot**. Review the graph (Figure 4-2) for a moment and note how hot the condenser temperature can be when the refrigerant gas changes to a liquid inside the condenser.

Most condensers are mounted in front of the radiator and attached to radiator supports or the hood assembly. This location is the least costly for several reasons: the engine cooling fan eliminates the need for a separate condenser motor/fan assembly; the refrigerant hose to and from the condenser can be shorter; and the condenser is better protected from the weather.

A Grilldenser is a condenser design that takes the place of a decorative non-functional grill in front of the radiator.

Remote mounted condensers (such as roof mounts) are normally used when there is no room for front mounting. Other reasons for remote mounted condensers are:

- A lack of room between the radiator and grill
- Critical engine cooling requirements
- Use of a radiator mounted air-to-air intercooler
- Insufficient airflow on off-highway equipment, pick-up or delivery vehicles

Note: Intercoolers, are also called aftercoolers or chassis-mounted charge-air coolers. These devices may be installed on the engine or in front of the radiator on some heavy duty vehicles. They are designed to achieve improved fuel economy and performance, and lower emissions by reducing air temperature at the intake manifold. The cooler, denser air boosts horsepower, efficiency and engine durability. For these reasons, intercooler installation is on the increase on heavy duty trucks.

In some intercooler applications, the condenser used for AC may be mounted in front of the radiator and below the intercooler. Figure 11-9 in *Chapter 11* shows this condenser location.

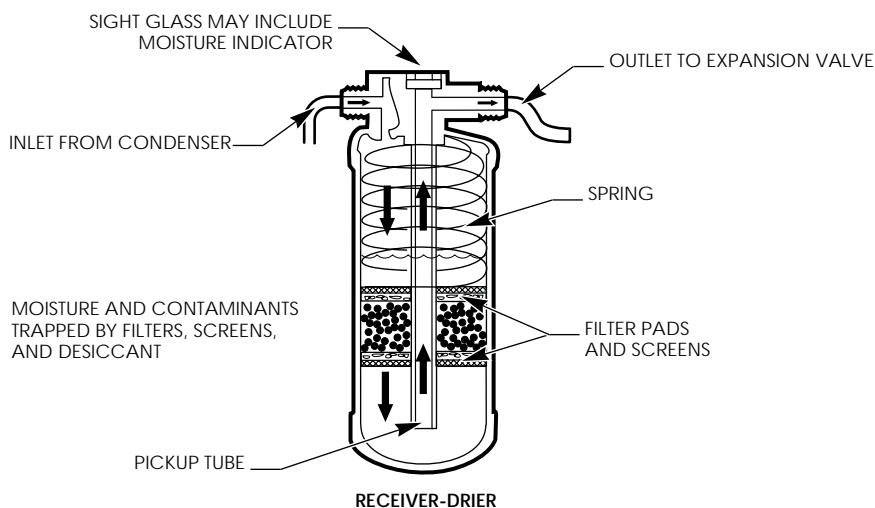
Receiver-Drier

The receiver-drier functions as a drier, refrigerant filter and temporary storage tank for refrigerant moving through the AC system. When refrigerant leaves the condenser as a liquid, it flows to the receiver-drier. Figure 4-8 shows a cutaway view of a receiver-drier. Refrigerant enters at the top and flows through a desiccant material and filter before it moves on through a pickup tube near the tank bottom. The most common desiccant is a molecular sieve. This is a porous material, usually in the form of 1/8 inch balls, that attract and hold moisture.

The desiccant commonly used with R-12 is identified as XH-5. It is not compatible with R-134a. Many driers in both new and replacement systems are now using an XH-9 desiccant which is compatible with both R-12 and R-134a. Driers that do not carry a special labeling are probably only good for R-12 usage.

Figure 4-8

This illustration shows the inside of a typical receiver-drier. Note the path of the arrows which indicate the movement of refrigerant. The desiccant, filter(s), and screens trap any water or particles that might accidentally be inside the system.



Note: Moisture (water) or particles can cause system malfunctions and corrosion. They can block the natural flow of refrigerant at the expansion valve. Moisture can change state there and form ice. It may also mix with the other elements inside the system (refrigerant and the oil) to form acid.

Sometimes refrigerant that leaves the condenser is part liquid and part vapor. When this happens the receiver-drier acts as a separator. The liquid refrigerant settles to the bottom of the tank where the pickup tube inlet is located. Receiver-driers vary in size and shape and many have a sight glass to aid in system diagnosis and charging. A sight glass may include a moisture indicator to let you know if the system is contaminated with moisture. There are high capacity units, variations in mounting location, fitting types, and the number and position of filter elements for receiver-driers.

The preferred receiver-drier design for heavy duty vehicle applications is shown in Figure 4-8. Sandwiched between the two metal baffles are a screen, two fiberglass filter pads, and at least ten cubic inches of desiccant. In this design the desiccant is squeezed between the two filter pads. This helps prevent movement of the molecular sieve material as the refrigerant flows through. As a result, there is less chance of desiccant breakdown and loose material reaching and blocking the expansion valve.

AC system design may include single or multi function pressure switches, a pressure relief valve or fuse plug. These are usually mounted on or connected to the receiver-drier.

Accumulator

Some AC systems use an accumulator for temporary refrigerant storage instead of the usual receiver-drier. An accumulator is located close to the evaporator outlet and stores excess refrigerant before it moves on to the compressor. When an accumulator is used instead of a receiver-drier, the typical expansion valve is replaced with an expansion tube (also called a fixed orifice tube).

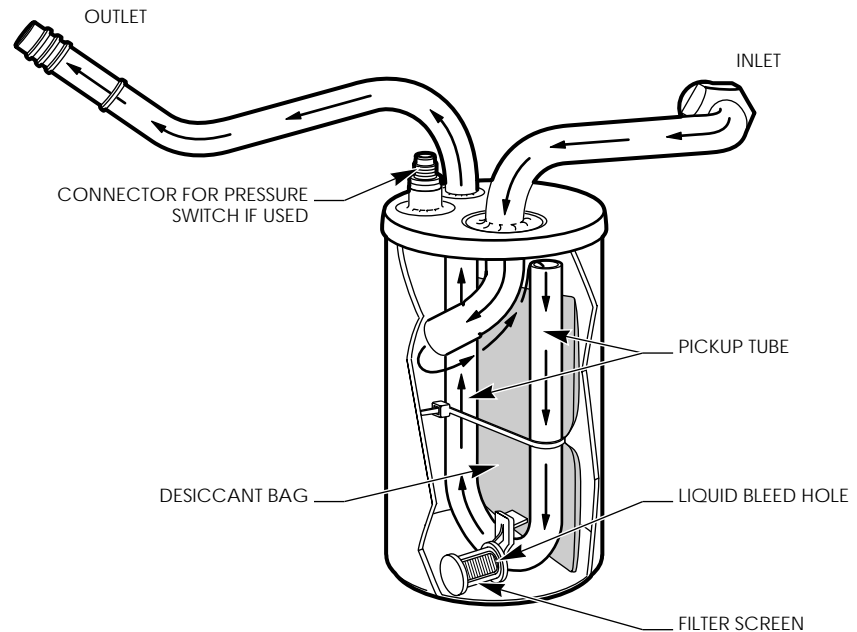
An expansion tube allows refrigerant to flow continuously through the evaporator. At times the refrigerant does not all change to gas and may enter the accumulator as a liquid. The accumulator prevents liquid refrigerant from going to the compressor. The pickup tube opening inside an accumulator is at the top as shown in Figure 4-9.

CAUTION

Serious damage results when liquid is sucked into the compressor.

Figure 4-9

The accumulator has filtering elements like a receiver-drier. Parts are named in this drawing and arrows show the path refrigerant follows as it moves through the accumulator.



Most AC systems with an accumulator have a thermostat to control the clutch. The thermostat is usually positioned to sense refrigerant temperature between the evaporator outlet and the accumulator. Some AC systems with an accumulator have a pressure switch mounted on the accumulator to control the compressor clutch.

Expansion Valves & Other Metering Devices

Various types and designs of refrigerant metering or control valves are used in AC systems. The valves are actuated by temperature and/or pressure. All are designed to control the flow of refrigerant into and/or out of the evaporator or compressor.

In addition to the block type expansion valve shown and described in *Chapter 2*, Figure 2-7, there are other valve designs. The types of expansion valves discussed in this section are:

1. Thermostatic Expansion Valves
2. Expansion Tubes

1. Thermostatic Expansion Valves

The traditional internally and externally equalized expansion valves each work the same way. Valve function is controlled by temperature and pressure of the refrigerant gas as it leaves the evaporator on its way back to the compressor. A small diameter hollow tube (capillary tube) is attached to the top of the valve diaphragm housing.

The capillary tube contains a small amount of gas or liquid such as refrigerant. The coil or bulb at the end of the tube is clamped to the outlet manifold from the evaporator. The gas in the capillary tube expands and contracts from heat in the outlet tube. It pushes to open the valve orifice.

The valve opens and closes depending on system need for refrigerant at the inlet to the evaporator. Figure 4-10 shows an internally equalized valve.

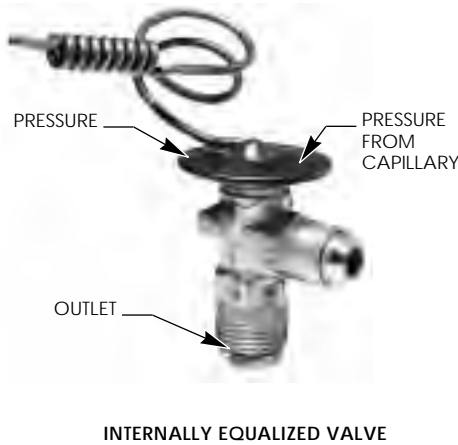


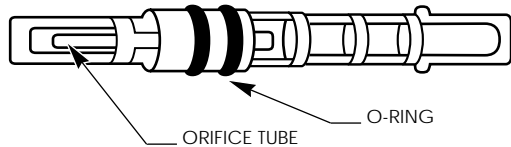
Figure 4-10
The internally equalized TXV is shown. This valve is designed with either temperature sensing coils or bulbs at the end of its capillary tubes.

Note: Insulating material is wrapped around the expansion valve, and coil or bulb where it attaches to the evaporator outlet. This is done to improve heat energy conduction and prevent condensation forming on the valve.

2. Expansion Tubes

Expansion tubes are also called fixed orifice tubes. They are used in some systems, always in combination with an accumulator instead of a receiver-drier. The tubes have no moving parts and are not adjustable. When used, an expansion tube is located inside the inlet tube of the evaporator. It restricts but allows a continuous flow of refrigerant to the evaporator coil.

An expansion tube is shown in Figure 4-11. When an expansion tube is used in place of a valve, liquid refrigerant may pass through the evaporator before it can change to a gas. The accumulator prevents liquid refrigerant from reaching the compressor. When an expansion tube is defective it must be replaced using a special tool.



EXPANSION TUBES FIT INSIDE THE EVAPORATOR INLET FITTING

Figure 4-11
The expansion (fixed orifice) tube is used in place of an expansion valve. There are no moving parts.

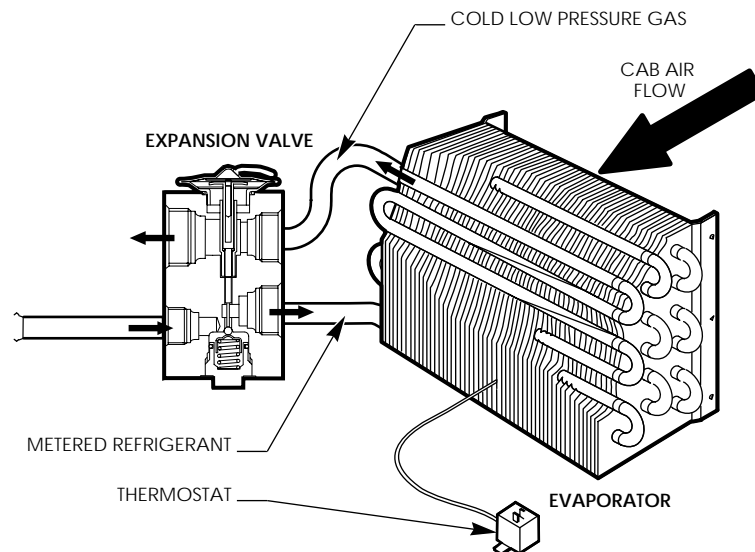
Evaporator Coil

Evaporator coils come in various shapes and sizes. Most are of fin and tube construction. The fins and tubing are designed to transfer heat from the cab air to the cool refrigerant vapor as it moves through the evaporator tubing. The fins are colder than the cab air, so moisture in the air blown across the coil condenses on the fins. The moisture forms into droplets and drains to the bottom of the evaporator housing and out of the cab through a drain tube. Dust or other airborne particles may also be trapped in the condensed moisture droplets. In this way the AC system dehumidifies, filters and cools the air in the cab.

Refrigerant enters the evaporator coil, expands rapidly and changes state (drops in temperature and pressure). The refrigerant absorbs heat energy from the air in the cab and moves through the tubing to exit the evaporator coil. A variety of expansion valve or other refrigerant flow regulating devices (described earlier) are used in an AC system design, at the inlet to and/or the outlet from the evaporator coil. Each is designed to control the flow of refrigerant to provide maximum heat transfer in the evaporator. The drawing, Figure 4-12, is a cutaway view of a typical evaporator coil.

Figure 4-12

The evaporator coil illustrated is mounted inside an enclosure (not shown) designed for efficient air flow between the fins of the evaporator.



Air Conditioner Blower/Fan and Motor Assembly

In HVAC system designs, a blower assembly is positioned to move air through the evaporator coil and heater core. For efficient air movement, the air must be confined within a housing. The blower assembly used in a system may be located for functional or space considerations. Some pull air and others push air through evaporator and/or heater fins.

Fans are used to move air through the fins of the condenser. In underhood applications the engine cooling fan is used. Roof or remote mounted condensers have separate fan/motor assemblies.

Figure 4-13 shows both evaporator blower and condenser fan assemblies in a roof mounted air conditioner. An outer cover directs the flow of outside air through the condenser. The fan blows the air out through an opening in the top of the cover. The blower assembly pulls air from the cab, through the evaporator coil and back into the cab. An inner cover encloses the evaporator and blower assembly to control cab air flow.

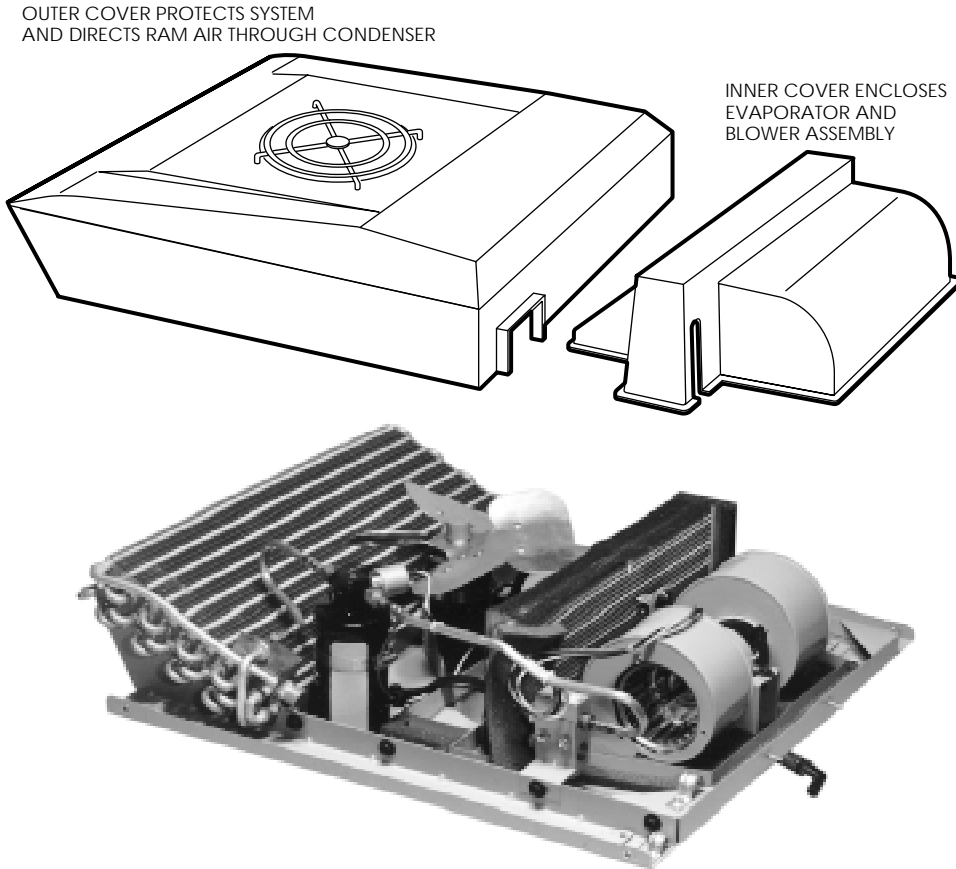


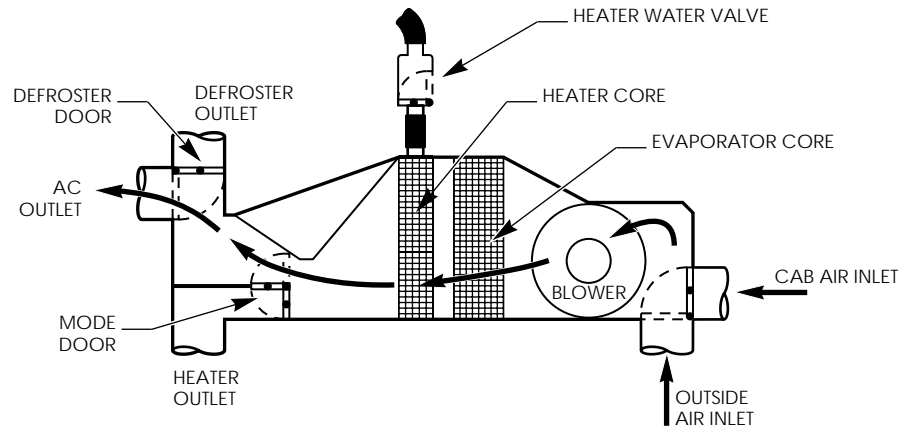
Figure 4-13
In this roof top air conditioning system the fan and blower assemblies pull air through the condenser and evaporator.

Air Conditioner System Ducts

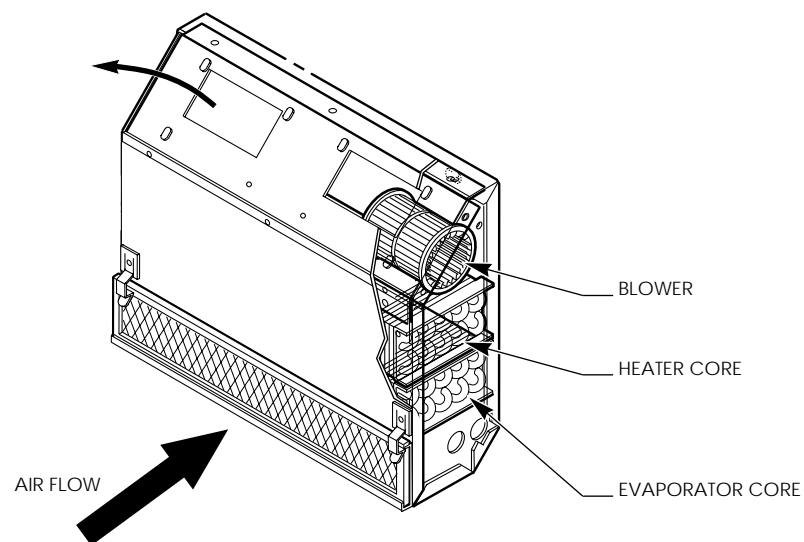
In Figure 4-13 above, outer and inner component covers are shown. When fastened in position, they control air flow direction. AC system ducts come in different shapes and sizes to fit space requirements. The positions of doors and louvers control air movement and flow in the cab. Figure 4-14 shows a combination HVAC blend air duct system. The doors in a duct system could be controlled by cable, vacuum, compressed air, electric, or by a combination of these controls. Some function automatically, while others are controlled by the operator.

Figure 4-14

This HVAC system cutaway drawing shows the various duct doors and the air flow pattern. Most heavy duty HVAC systems have a stacked core arrangement where air passes through both coils.

**Figure 4-15**

This is a cutaway of a standard stacked core arrangement.



Air Conditioner Hoses and Fittings

The refrigerant hoses used in air conditioning systems are much stronger than heater or radiator hoses because of pressure restraints. These are available in single braid, double braid and nylon lined rubber hoses.

Fittings of many types, shapes and sizes may be used depending on the application and location. There are push on, flare, O-ring and quick disconnect fittings. Various adapter, step up, tee block, splicer and special application fittings may be used as connectors during initial installation, service or when a system is modified.

Chapter Review

- The standard refrigerants used in vehicle air conditioning systems are R-12 and R-134a. **Although safe to use, a refrigerant may be dangerous if not handled carefully. At sea level pressure, a refrigerant will boil at a very low temperature.** A refrigerant can be controlled to change its state inside the AC system and absorb, move and give up a large amount of heat energy. A refrigerant is cold in the evaporator and hot in the condenser.

- All compressor designs function as pumps to move or circulate refrigerant inside the AC system. Compressors are driven through a clutch pulley and V-belt by the engine. For efficient operation, a compressor must be mounted securely with proper belt tension and alignment. Engine speed and suction pressure have an effect on compressor output. Higher engine RPM means greater output.
- The clutch is used to drive the compressor. In most AC systems a thermostat cycles the clutch on and off, although in some designs the clutch stays on during AC operation.
- Condenser construction allows heat energy transfer to the outside air. Refrigerant changes state in the condenser, from a high pressure and temperature gas to a liquid. It is important to keep the condenser free of dirt and debris for good air flow through the fins and efficient heat transfer. The various condenser designs all function the same way.
- Receiver-driers function as a refrigerant drier, filter and temporary storage tank. The filter and desiccant material trap and hold moisture or other contaminants that may be inside the AC system. The receiver-drier traps any vapor leaving the condenser. Some designs incorporate a sight glass, moisture indicator and/or various other control devices.
- An accumulator may be used in place of the receiver-drier as a temporary storage tank for refrigerant. This device controls the flow of refrigerant to the compressor and also traps contaminants and moisture. Accumulators are used with AC system designs that have an expansion tube. They prevent liquid refrigerant from flowing to the compressor.
- There are a variety of thermostatic expansion valves (TXV's) and other refrigerant flow regulating devices in use today. All control the flow of refrigerant in the AC system to manage the movement of heat energy. There is the block expansion valve, traditional expansion valve, and expansion tube. Some AC system refrigerant flow regulating assemblies combine several components to control refrigerant flow.
- The construction of an evaporator coil is designed to transfer heat energy from the cab air to the refrigerant inside the tube. The evaporator coil also helps to clean and dehumidify the air in the cab. Moisture in the air condenses on the fins of the evaporator coil, then drips off the fins and drains out of the cab. When refrigerant enters the evaporator there is a quick drop in pressure. The refrigerant expands rapidly, changes state and drops in temperature.
- Blower, fan and motor assemblies increase the movement of air for efficient cooling (heat energy transfer). The duct system controls the air flow direction.
- The hoses and fittings used in AC systems connect the various components together. They enclose or contain the refrigerant as it moves around inside the system.

- There is a high and low pressure side in an AC system. The high side begins inside the compressor. High pressure continues through all fittings and hoses that connect the condenser, the receiver-drier, and expansion valve or other refrigerant metering device at the inlet to the evaporator. As refrigerant leaves the expansion valve or other metering device and enters the evaporator tubing, the pressure drops. It remains low in hoses and any components that connect or control the refrigerant as it moves into the suction side of the compressor. AC system components allow refrigerant to change state easily. They control and contain refrigerant as it moves inside the system.

Chapter 5 System Controls

Click on any of these subject headings to go directly to the page

- Air Conditioner Controls
- Heater Controls
- HVAC Control Variations
- Chapter Review

Air Conditioner Controls

The following air conditioner controls are discussed in this section:

1. Active Controls
2. Passive Controls
3. Compressor Clutch Controls
4. Refrigerant Flow Controls
5. Sleeper Unit Controls

System controls accomplish three things. They maintain cab temperature (control the air in the cab, refrigerant and engine coolant), protect system components and related parts from damage or excessive wear, and allow design and operating condition flexibility. This chapter explains control devices in more detail.

Active Controls are used by the driver or a passenger to turn the system on, and adjust air temperature, air flow direction and velocity. The controls are switches, levers, and air louvers or diffusers.

Passive (Automatic) Controls regulate the flow of refrigerant or coolant. These include thermostats and various pressure activated or regulating valves, pressure and temperature switches. Some controls shut down or prevent system operation under certain conditions.

Control Devices are used to open, close, adjust, engage or disengage parts of the system. Examples are air cylinders, air switches, solenoids and other electronic controls. Some system designs take advantage of air pressure and electronics, for more precise control of components and reduced maintenance.

Combination and supplemental control devices can affect system operation. They may prevent, interrupt or support system functions. Examples are ambient temperature switches, Binary™ or Trinary™ (multi-function) switches, radiator fan clutches and radiator shutter systems.

Note: Keep in mind that air conditioning and heater systems are closed (sealed) and function under pressure. Control devices take advantage of system pressure and heat energy. A few control devices are influenced by conditions outside the system.

1. Active Controls

Active control types depend on system design, location and available space. When a heater or AC system has been installed as a separate or supplemental unit (perhaps in the sleeper cab), there is probably more than one control panel location.

The integrated HVAC control panel shown and described as Figure 5-1 is mounted in the dash. With these controls, the AC and heater systems may be turned on, the temperature adjusted, air directed and mixed, and air velocity controlled.

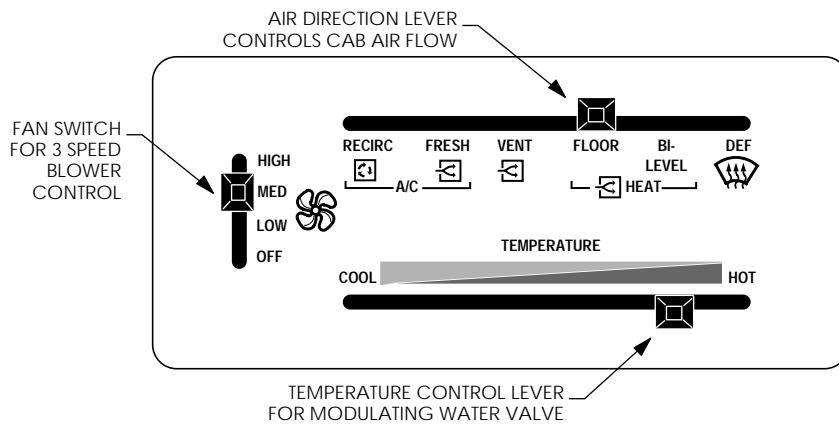


Figure 5-1
HVAC in-cab controls are described in this illustration.

When the air direction lever is in the AC mode, power is directed to the thermostat and from there to the compressor clutch. As the AC unit operates, the thermostat cycles the clutch on and off automatically. Some controls have a separate heat-AC switch for this purpose.

The slide controls could be connected to push-pull cables or an electric or air control module. With air or electric controls and the lever in the RECIRC mode, air within the cab is recirculated through the evaporator. In all other positions, fresh air is brought in from outside the cab. Some control panels have a separate fresh/recirculating air switch or lever.

The fan control knob is connected to a four position switch. There are three “on” positions to control blower speed and regulate air velocity (CFM) in the system.

Note: Blower or fan speed affects air temperature. At lower speeds the cab air moves more slowly through the fins of the evaporator or heater, so more heat energy moves into or out of the cab air than at faster air speeds (CFM). Thus air leaving the vents or louvers will be colder or warmer.

Most air vents or louvers in the cab may be adjusted by hand to moderate and direct air movement. These are in various sizes, shapes and locations in the cab.

The thermostat and expansion valve or refrigerant metering device basic controls because they are necessary in any system. Both function automatically after the system is turned on.

2. Passive Air Conditioner Controls

Most automatic controls function in response to AC system temperature (degrees Fahrenheit) or pressure (PSI) conditions. The thermostat is a good example. It uses temperature to automatically cycle the compressor clutch.

3. Compressor Clutch Control

The different types of compressor clutch control are described below.

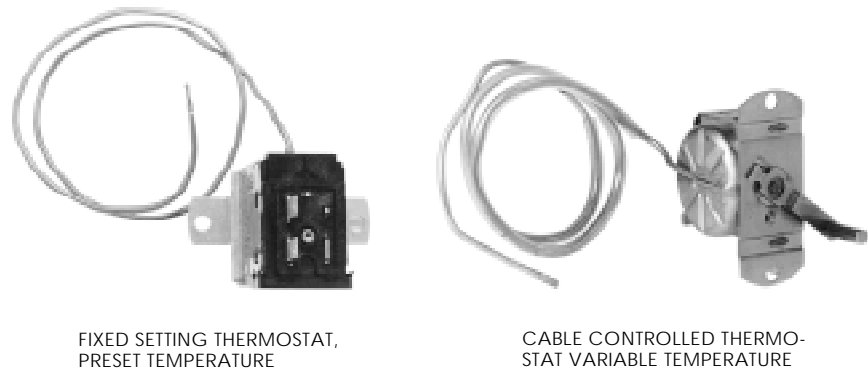
Thermostatic Control

A thermostat in a basic air conditioning system controls the electrical circuit to the clutch. Most thermostats have a capillary tube that is inserted between the fins of the evaporator coil. The depth of tube insertion and location in the coil are critical to system performance.

Thermostats are either fixed set or adjustable. A fixed set control will operate in the 32 degrees to 38 degrees Fahrenheit range. An adjustable thermostat functions between 32 degrees and 50 degrees Fahrenheit and may be controlled with a knob or push-pull cable. Figure 5-2 shows these types of thermostats.

Figure 5-2

Two thermostats are shown. They are used to cycle the compressor clutch on and off at selected high and low temperatures.



The thermostats shown have sealed capillary tubes that sense temperature. The capillary tubes contain a small amount of heat sensitive gas or liquid like R-12. System temperature variations raise and lower pressure in the sealed capillary tube. This pressure activates a switch inside the thermostat to open and close the electrical circuit to the clutch. These thermostats may sense temperature in the evaporator coil or at the evaporator outlet.

Another type of user adjustable rotary thermostat has a bimetal heat sensing strip and has been used to control the temperature in sleeper cab AC or HVAC systems. The bimetal strip senses air temperature. When the sleeper box air is too warm (in AC mode), the bimetal thermostat electrical circuit activates a blower motor and opens a solenoid valve. The valve allows refrigerant to flow to a separate evaporator used to cool air circulating in the sleeper compartment. This type of system design is illustrated in *Chapter 11* (Figure 11-7).

Pressure Switch Control

Most of the AC systems that have an expansion tube and accumulator (instead of an expansion valve and receiver-drier) use a thermostat to control clutch operation. However, there are some accumulator systems with a pressure sensing switch instead of a thermostat. The switch opens and closes an electrical circuit to the clutch. Figure 5-3 shows this type of automatic compressor clutch control.

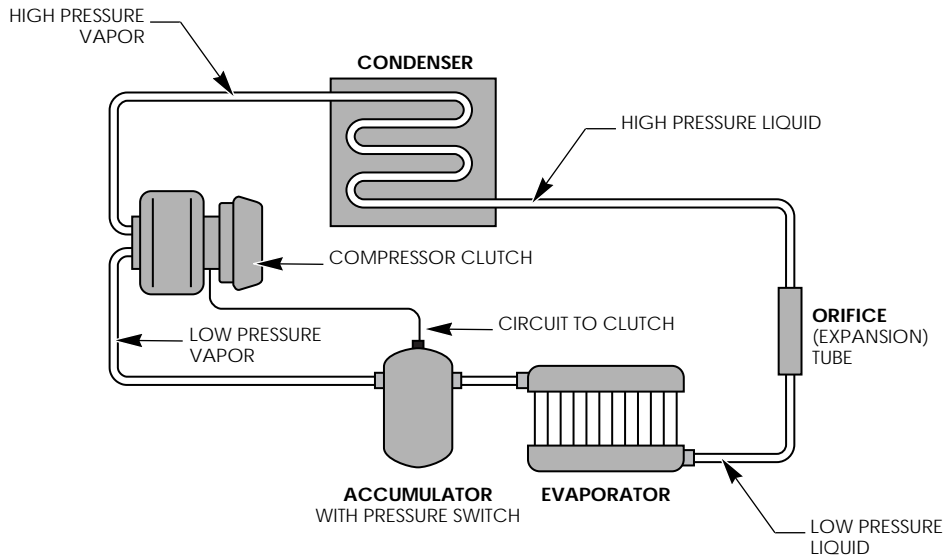


Figure 5-3

The accumulator system schematic uses a pressure sensitive electrical switch to control the compressor clutch. The switch senses refrigerant pressure (PSI) inside the accumulator.

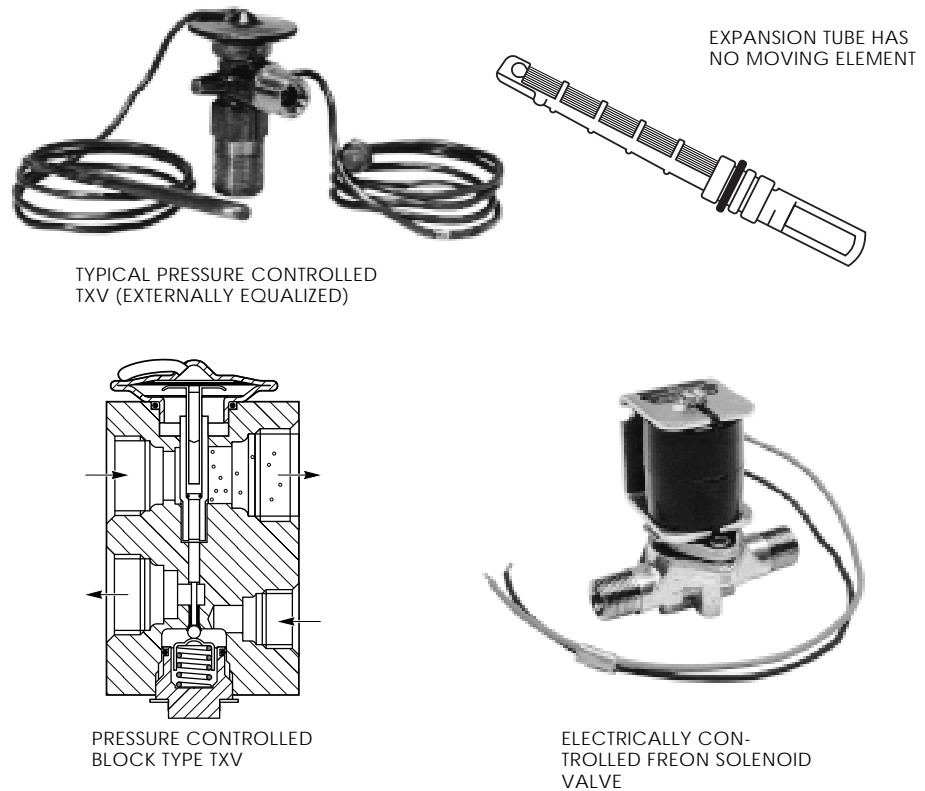
When pressure (PSI) in the accumulator is high, the pressure sensing switch closes an electrical circuit and the clutch is engaged. If the pressure is low, the switch opens the circuit to disengage the clutch.

4. Refrigerant Flow Control

In *Chapter 4* we described devices frequently used to control refrigerant flow into and out of the evaporator. Most are controlled by pressure, temperature or a combination of both inside the system. Some AC systems have two evaporators, one for the cab and the other for the sleeper compartment. A freon solenoid valve may be used to split and direct part of the refrigerant flow to a second evaporator. The solenoid valve is electrically controlled and opens when the sleeper cab AC control is operated. Figure 5-4 illustrates various refrigerant flow control devices and explains what causes them to function.

Figure 5-4

This group of illustrations notes how the most frequently used refrigerant metering or flow control devices function.



These controls are designed to meter refrigerant flow through the evaporator coil. Thermostat and compressor clutch function are independent of these refrigerant flow control devices.

Note: A thermostat or pressure switch controls the compressor clutch assembly. Automatic refrigerant metering devices sense pressure/temperature in the system and control refrigerant flow through the evaporator. The combination of controls keeps the system balanced so that heat energy can move efficiently by taking advantage of nature's laws. When the system is out of balance, refrigerant may move too fast or too slowly. It will not absorb enough heat to cool the cab properly, or may result in too low a temperature in the evaporator. In some cases, the normal condensation collecting on the evaporator fins may freeze instead of draining out of the cab. The frozen condensate will block air flow through the evaporator. No air flow—no cooling.

Many truck and off-road vehicles have control variations, combinations and supplemental controls. We will explain these controls after we describe basic and automatic heater controls.

5. Sleeper Unit Controls

The most familiar type of temperature control is the bi-metallic thermostat. In this type of control, two strips of dissimilar metals are bonded together, such that as the temperature changes, the two metals expand or contract at different rates. These changes cause the strips to bend, making contact and completing or breaking a circuit to control the bunk HVAC unit. The bi-metallic control needs good airflow through the control panel in order to react.

The electronic controls for sleeper units have a sensor (or thermistor) which will detect temperature changes. This sensor is very small and can be unobtrusively mounted on the front of the control panel. This type of control has a far narrower “dead band,” the temperature change needed for the control to react. This allows the sleeper box temperature to be more closely controlled than with a bi-metallic thermostat. The small size of the sensor mounted on the front of the control panel allows the panel to be mounted flush with the walls of the sleeper box.

Heater Controls

The following heater controls are discussed in this section:

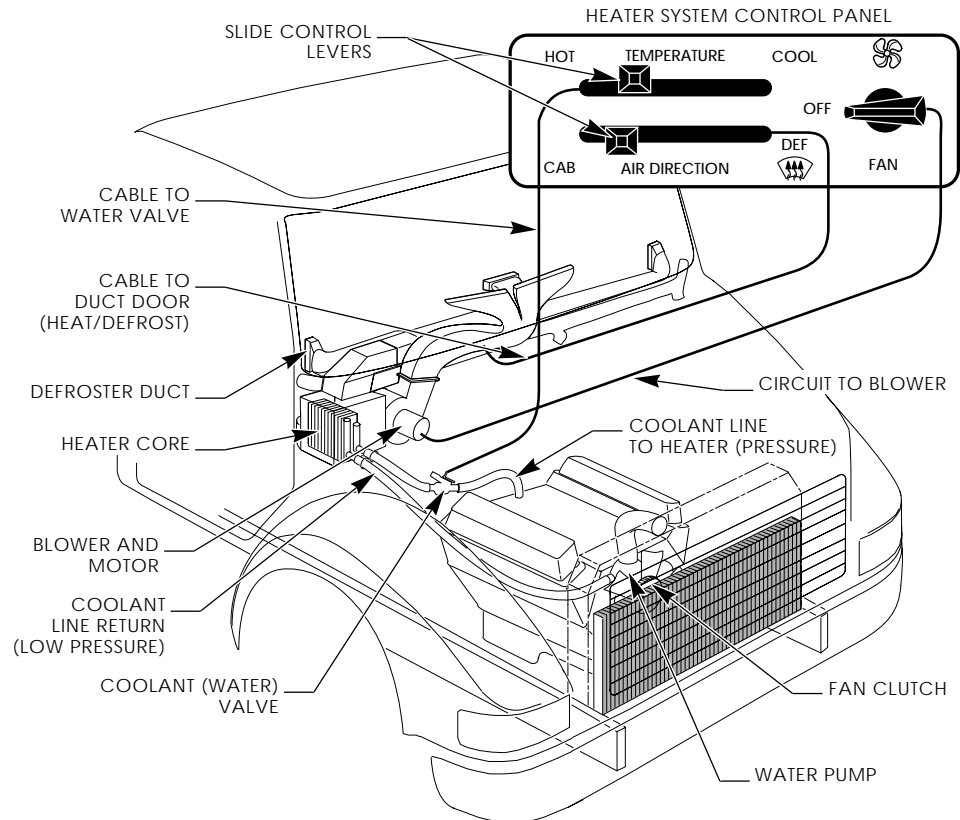
1. Active Heater Controls
2. Vacuum Controls
3. Passive Heater Controls

1. Active Heater Controls

Let's look at a typical heater control panel. There are a couple of slide bars connected to cables or air lines. The blower (or fan) motor control knob is attached to a four position switch. Figure 5-5 shows the panel connected to system components. System design and component locations will vary from one vehicle to another.

Figure 5-5

Typical heater system controls and locations are shown and described in this drawing.



A water valve is the primary control for a basic heater system. When the valve is open, hot engine coolant flows through the heater core and back to the engine. The driver can adjust the control to modulate coolant flow through the heater core.

In some heater system designs, temperature control is achieved by allowing part of the air moving through the heater duct system to bypass the heater core. The amount of bypass air is controlled by a door. This design is commonly called a blend air system. A water valve is sometimes included in the design and directly linked to the door control.

Another cable operates a door inside the duct system and directs air flow through defroster ducts to the windshield. The knob controlling the blower motor switch may be set to one or more speed positions, or off. This switch controls the air velocity (CFM) through the duct system and heater core.

Note: Air pressure, electric actuators or vacuum may be used in place of cable controls. The air pressure or vacuum do not automatically adjust system function. Manual controls, air switches or other automatic electrical controls regulate vacuum and control air pressure to adjust system function.

2. Vacuum Controls

Heavy trucks with diesel engines do not have a ready source of vacuum. When vacuum components or controls are used, a separate vacuum pump must be driven by the engine.

3. Passive (Automatic) Heater Controls

Various devices are used to control heater operation. These devices are described below:

Water Valves

Some heater systems have an “H” type water valve design. Coolant flows to and from the heater core through separate passages in the valve. Means are provided to block coolant flow to the heater core and bypass or route coolant back to the engine. A pressure valve in the “H” opens when coolant flow to the heater is blocked. Figure 5-6 illustrates the “H” type coolant valve.

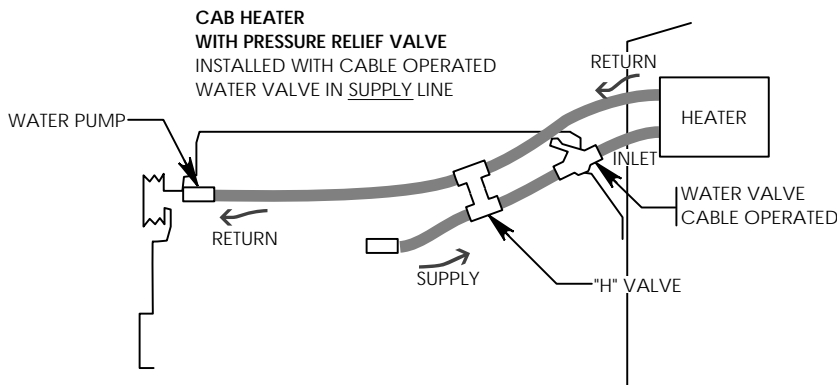


Figure 5-6

This plumbing shows how an “H” type water valve may be used to allow coolant to flow through or to bypass the heater core.

Heater A/C (CTC II™) & Heater (CTC™) Systems

The CTC™ (Constant Temperature Control) system maintains a preselected temperature in the cab. This is accomplished through a controllable circuit board and variable resistor. Changes in the air temperature activate the circuit board, which energizes or deenergizes an air solenoid valve. The solenoid valve controls the air supply to open and close the water valve and pulse hot engine coolant through the heater core. In the AC mode, the thermostat is cycled to hold a constant output temperature. Figure 10-3 shows how the CTC II™ components work together to control heat energy movement into cab air and maintain cab temperature.

HVAC Control Variations

Control variations include one, two or three speed blower/fan motor switches to vary air velocity. Air or electrical toggle switches and rocker switches may be used in system control to replace cable control. Air cylinders open or close duct doors and radiator shutters. Air pressure hoses and fittings have a long service life and are easy to repair. The following controls are discussed in this section:

1. Air Controls
2. Electrical Devices and Schematics
3. Combination and Supplemental Controls
4. Fan Clutches, Radiator Shutters, and Override Controls

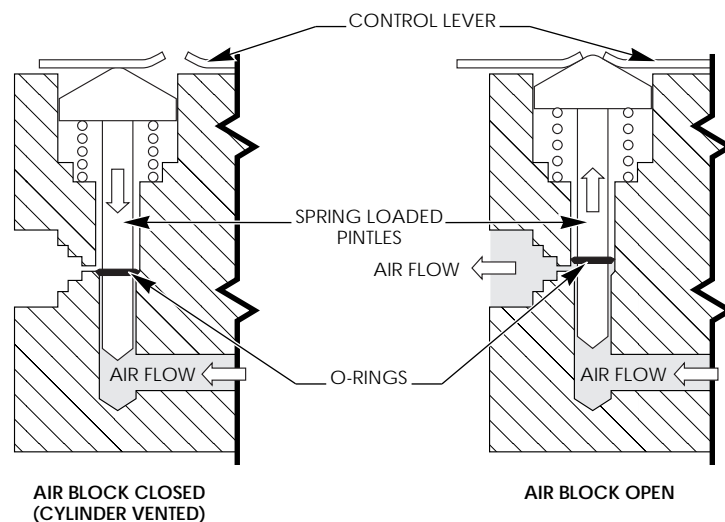
1. Air Controls

The development of air controls has improved the operation and function of HVAC systems. A basic form of air control may use a single switch and cylinder to operate a duct door. In more complex systems air cylinders are used to control fresh and recirculating air, heat/defrost and air conditioner vents. A pressure switch is often used to control the compressor clutch.

The most common air control system is a modular design. Modular units are simple and compact as illustrated in Figure 5-7. An air block uses a pintle and programmed control lever to control air cylinders.

Figure 5-7

This cutaway view of an air block shows the components and describes their function. The air cylinders are not shown.



In air control systems a Legris push-on fitting has gained popularity with manufacturers. The Legris design speeds air tube installation and provides a positive leak free air seal where tubing is attached.

Some Frigidaire AC systems have a **thermal limiter and superheat switch** combination to protect the compressor when system pressure is too low. A low system pressure can mean there is not enough refrigerant inside the system and/or insufficient refrigerant oil circulation to properly lubricate the compressor. Figure 5-8 illustrates the function of the thermal limiter and superheat switch. When the fuse in the thermal limiter melts, the clutch circuit is broken to stop the compressor. The thermal limiter must be replaced when this happens.

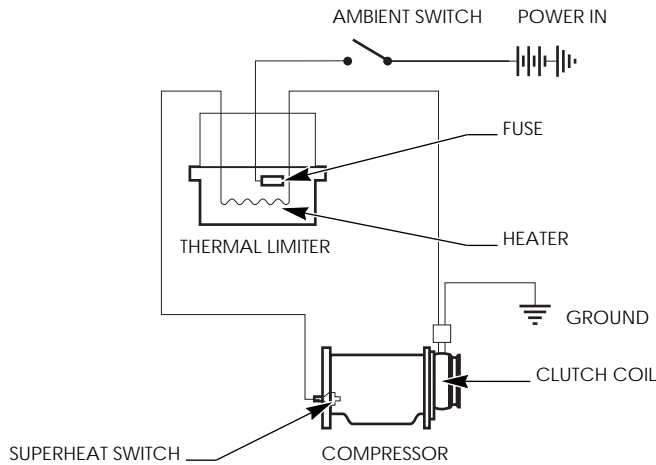


Figure 5-8

This drawing shows a Frigidaire thermal limiter and superheat switch schematic. It works by interrupting the circuit (electrical power) to the clutch and stops the compressor.

There are a variety of other heat, air and pressure activated valves or switches. These are shown in Figure 5-9 and described in the paragraphs that follow.

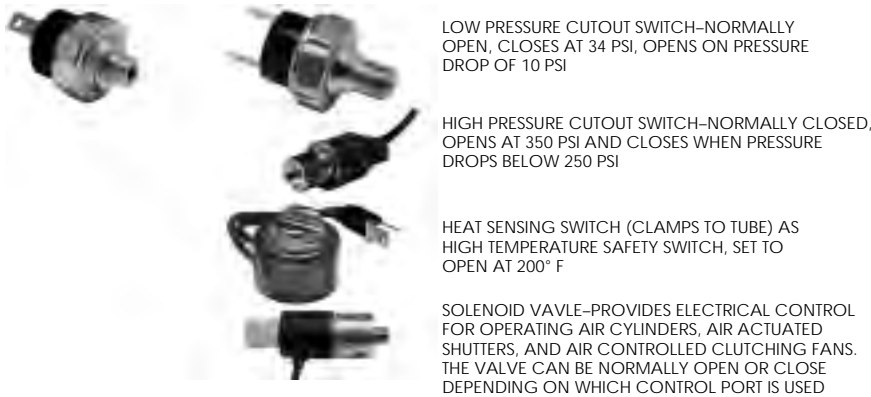


Figure 5-9

Various types of heat, air and pressure valves and switches are illustrated.

A **pressure relief valve** may be installed on or near the compressor high side or on the receiver-drier fitting. This valve “bleeds” excess refrigerant pressure when malfunction or restrictions inside the system increase pressure to dangerous levels.

A **low pressure cutout switch** may be installed in either the high or low pressure side of the system. It is designed to sense low pressure due to refrigerant loss or system restriction. It is wired into the clutch circuit, and interrupts clutch operation to protect the compressor.

A **low side low pressure switch** is preferred, especially with axial compressors having little or no oil storage capacity. A low side low pressure switch is much more sensitive to problems such as a blocked expansion valve or other situations involving a lack of refrigerant and oil circulation.

High pressure cutout switches are frequently installed to protect the compressor. They are positioned on the high side to sense pressure inside the system, and are wired into the compressor clutch electrical circuit. These switches complete the circuit to the clutch when “closed.” They “open” when preset pressures are reached. Opening shuts the system down by breaking the circuit to the clutch.

Heat and air sensing switches and solenoids are some of the other control devices used to open or close electrical circuits to control or protect system components. These switches are frequently used as override controls in electric or air controlled engine fan and radiator shutter applications.

2. Electrical Devices and Schematics

Relays and resistors are electrical controls. They are normally not controlled by pressure or temperature except for the CTC™ system. A relay is included in a circuit to divide power when the demand for it exceeds the capacity of the control switch. A resistor is a voltage dropping (or controlling) device used to control fan or blower speed. Variable resistors are used to control temperature. Figure 5-10 illustrates a relay and resistors.

Figure 5-10
An electrical relay and two types of resistors are shown.

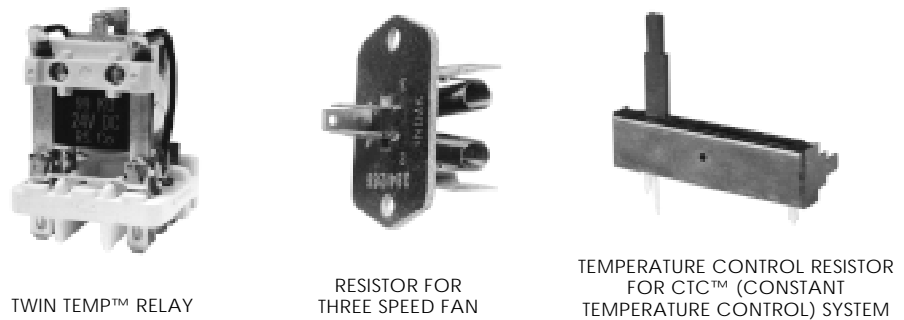
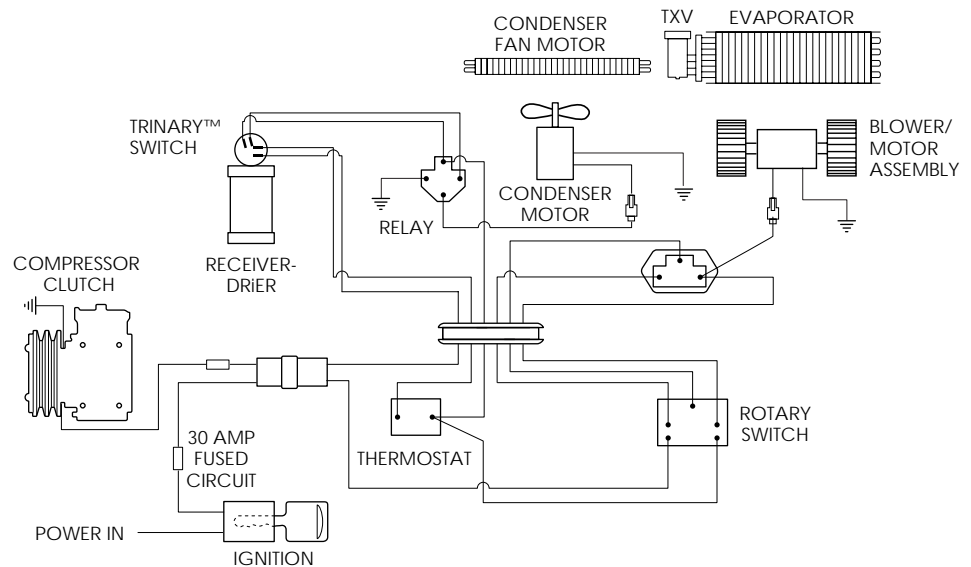


Figure 5-11
This electrical schematic shows how the rotary switch (system on-off) is connected to the thermostat and blower motor assembly. The condenser motor is wired to the thermostat and Trinary™ switches through a relay. The resistor controls voltage to the blower motor assembly.

The electrical schematic (wiring diagram) for a roof top air conditioner shows how electrical components and controls are connected. The diagram used for Figure 5-11 is clear and easy to read. All major AC components in the refrigerant system are also shown. The wiring diagram and AC part locations are not to scale.



3. Combination and Supplemental Controls

Combination and supplemental controls may protect the major components (primarily the compressor) from damage, control engine temperature and insure condenser efficiency.

When used in system design, combination and supplemental controls help maintain the pressure and temperature balance inside air conditioner and heater systems. They can make safe system operation possible in severe or varied climate conditions, and maximize heat energy movement under less than ideal conditions.

Two or three function pressure switch assemblies (Red Dot Binary™ or Trinary™ switches) may be installed on the liquid side of the AC system between the condenser and expansion valve. Both switches are illustrated in Figure 5-12.

Figure 5-12
Red Dot Binary™ and Trinary™ switches with switch operating pressures given.



RED DOT BINARY™ SWITCH

	OPENS	CLOSES
Low pressure protection	Between 3-15 PSIG (falling pressure)	40 PSIG maximum (rising pressure)
High pressure protection	Between 270-330 PSIG (rising pressure)	80-120 PSIG below open pressure

RED DOT TRINARY™ SWITCH

	OPENS	CLOSES
Low pressure protection	22.5 ± 7.5 PSIG (falling pressure)	40 PSIG maximum (rising pressure)
High pressure protection	Between 270-330 PSIG (rising pressure)	80-120 PSIG below open pressure
Shutter fan/override	Opens 35-60 PSIG below closing pressure	200-230 PSIG (rising pressure)

The **two function Binary™ switch** prevents the compressor from operating if there is no refrigerant in the system. It also stops the compressor if head pressures increase to unsafe levels. The switch resets when pressure drops to normal.

Red Dot's **Trinary™ pressure switch** performs three distinct functions to monitor and control pressure inside the AC system. The switch is installed between the condenser and expansion valve, usually on the receiver-drier. All three functions automatically reset when the proper pressure is achieved.

- The low-range pressure function prevents compressor operation if the refrigerant charge has been lost or ambient temperature is too cold.
- A mid-range pressure function activates the engine fan clutch or radiator shutter assembly. As system pressure reaches mid range, the switch engages the fan clutch (fan motor on roof top condenser units) and/or opens the radiator shutter. This increases air flow to the condenser and stabilizes or lowers system operating pressures. The switch cycles on and off to maintain operating pressures.
- A high-range pressure function turns off the compressor if pressure is too high.

- Multi function switches other than Red Dot's are being used in some applications. The concept is the same as described above.

4. Fan Clutches, Radiator Shutters & Override Controls

An engine fan clutch and radiator shutter assembly may be used to control and maintain engine (coolant) temperature. Engine fan and radiator shutter operation are closely related to radiator mounted AC condenser efficiency (heat energy movement). This is the main reason for fan clutch and radiator shutter override controls.

There are three types of fan clutches:

- Viscous Drive
- Air Actuated
- Electric

All but the viscous type may have a fan override control as part of the AC system. The **viscous drive fan clutch** has a high viscosity silicone fluid that moves inside the clutch to increase or decrease fan speed. The fluid is controlled by a temperature sensor, valve and centrifugal force.

Air actuated fan clutches are either on or off. Control is by a thermostatic valve which measures engine coolant temperature. When coolant is hot, the valve opens and air pressure enters the fan body causing the clutch to engage. Some air actuated clutches use air pressure for the off condition.

The electric fan clutch has a preset engine coolant temperature sensor. When the set temperature is reached, the clutch is engaged for increased air movement through the condenser and radiator. When coolant temperature drops the clutch disengages the fan.

Radiator shutters control air (outside air) flow through the radiator. These shutters are opened and closed by thermal or air activated spring loaded valves. Both types of valves sense and maintain engine coolant within a narrow temperature range (4 to 6 degrees). The narrow 4 to 6 degree Fahrenheit temperature range selected may fall anywhere between 160 to 220 degrees Fahrenheit. Thus, override controls are required to bypass radiator shutter controls for efficient or safe condenser function and AC system operation.

Chapter Review

- Basic system controls begin at a control panel inside the cab or sleeper compartment. We can decide on heating or cooling and where and how much air flow we want. We can select a temperature range for the inside of the cab or sleeper.
- When a heater, air conditioner or HVAC system is turned on, the automatic control devices take over system control. They are designed to keep the system in balance and maintain the operator selected temperature range inside the vehicle.

- A balanced system is more efficient in moving heat energy into or out of the air in the cab than an unbalanced one. Balance means maintaining pressures and temperatures inside the system so that heat energy moves easily and efficiently from one area to another.
- In most systems one or more heat or pressure sensitive switches may be installed. These usually protect the compressor if something goes wrong inside the system or the refrigerant leaks out.
- The more advanced system designs use air pressure or vacuum for system and component control. Electronic controls are also used. The advantages of advanced controls are more even cab temperature and faster control response.
- The engine fan clutch and radiator shutter are controlled by engine coolant temperature. In an AC system with an underhood condenser, override controls are used to govern fan clutch and radiator shutter operation.

Chapter 6

Service Tools and Their Use

Click on any of these subject headings to go directly to the page

- Safety & Safety Equipment
- Air Conditioning System Service Tools
- Other Equipment
- Chapter Review

The basic air conditioner and heater service tools include some special tools and test equipment as well as normal tool chest items. In this section we describe and explain the use of basic tools, test and other equipment, and safety. Some of the special equipment described is expensive but is often justified in a busy shop. Actual system test and service procedures are covered in *Chapter 8* and *Chapter 10*.

Safety is important to you as well as to others in your working environment. The air conditioner and heater system are as safe or safer to work on as other vehicle systems, engines, etc.—but they are a little different. We will stress safety in this chapter and have used **CAUTIONS and WARNINGS in bold print** all through the manual to alert you to potential hazards.

Safety & Safety Equipment

- In servicing HVAC systems you will be exposed to high pressures, temperatures and several chemical hazards. Moving belts and pulleys are normal shop hazards.
- In addition to exercising caution in your work, **ALWAYS WEAR SAFETY GOGGLES OR A FACE SHIELD** when you are using refrigerant or a Halide leak detector, adjusting service valves or the manifold gauge set connectors. Safety goggles or a transparent face shield are practical safety items. **ONE OR THE OTHER IS ABSOLUTELY REQUIRED.**
- Refrigerant inside a container and in parts of the AC system is a liquid under pressure. When refrigerant escapes or is released to the air, **ITS TEMPERATURE DROPS INSTANTLY.** If it spills on your skin or in your eyes, flood the area with cool water and **SEEK MEDICAL ATTENTION IMMEDIATELY.**
- The compressor creates pressure when it runs. If pressures get too high in the system, the weakest point may separate or blow out. A system restriction, too much refrigerant, or improper charging procedures are all potentially dangerous.
- Someone else may have serviced the system before you and put too much refrigerant in the air conditioner. The only way to know how much refrigerant is in the system is to take it all out. Then evacuate the system and charge it with a weighed amount of refrigerant yourself, based on manufacturer specs. If too much refrigerant is in the system for proper cooling, and you add more, you may have a potentially ruptured component and serious injury.
- Keep in mind the fact that R-12 refrigerant becomes a poison gas when it burns. **DO NOT SMOKE AROUND REFRIGERANT.**

- Do not grab hold of a clutching fan to stop it when it is disengaged but turning at low RPM. **THE FAN CAN SERIOUSLY INJURE YOUR HAND.**
- Be sure the area you are working in has plenty of ventilation and that no gas or other fumes are present. **DO NOT USE A HALIDE LEAK DETECTOR OR REFRIGERANT WITHOUT ADEQUATE VENTILATION. DO NOT RUN THE VEHICLE ENGINE DURING A PERFORMANCE INSPECTION OR WHEN CHARGING THE SYSTEM WITHOUT ADEQUATE VENTILATION.**

WARNING

Fire or explosion hazards exist under certain conditions with R-134a. A combustible mixture can form when air pressures are above atmospheric pressure, and a mixture of air and R-134a exist. For this reason do not pressure test air conditioning systems with compressed air.

Air Conditioning System Service Tools

The basic AC tools that are discussed in this section include:

1. Recovery/Recycling Station
2. Refrigerant Dispensing Valves & Containers
3. Manifold Gauge Set
4. System Service Valves
5. System Service Valves
6. Vacuum Pumps
7. Leak Detectors
8. Flushing Kit
9. Heater System Service Tools
10. Other Equipment

1. Recovery/Recycling Station

The recovery/recycling station performs two closed loop processes. The station removes the refrigerant from an AC system in the **recovery** mode. The refrigerant is contained in an external cylinder for storing, recycling, reclaiming, or transporting. Typically, the refrigerant is not reusable until it is recycled. Contaminants in the refrigerant are reduced in the **recycle** mode. The contaminants could include moisture, acidity, and particulate matter. *Chapter 9* contains more detailed information on the recovery and recycle processes and necessary equipment.

Note: Separate stations are required for R-12 and R-134a.

2. Refrigerant Dispensing Valves & Containers

Bulk containers should always be used with a scale or charging station capable of measuring the refrigerant put into the system. Figure 6-1 illustrates the most common refrigerant container.

Figure 6-1

Refrigerant comes in a standard size container and may be dispensed with single or dual dispensing valves.



20 POUND CYLINDER

WARNING

All containers with refrigerant are under pressure (to contain the refrigerant). Any heat will increase that pressure. The containers are not designed to withstand excessive heat even when empty, and should never be exposed to high heat or flame because they can explode. Containers must be certified as meeting DOT CFR Title 49 requirements.

There are several other tools that could be used when charging an AC system with refrigerant. These are a charging meter (refrigerant scale) or a charging station. They will be described later.

3. Manifold Gauge Set

The manifold gauge set is the tool used for internal system diagnosis and service. A typical manifold has two screw type hand valves to control access to the system, two gauges and three hoses. The gauges are used to read system pressure or vacuum. The manifold and hoses are for access to the inside of an air conditioner, to remove air and moisture, and to put in or remove refrigerant from the system. Shutoff valves are required within 12 inches of the hose ends to minimize refrigerant loss.

Figure 6-2 illustrates a basic manifold gauge set and explains how it works.

Manifold gauge sets are color coded. An R-12 gauge set normally has a blue low side hose, a red high side hose, and a yellow or white utility (center) hose. An R-134a gauge set will have a blue hose with a black stripe for the low side, a red hose with a black stripe for the high side, and a yellow hose with a black stripe for the utility (center) hose.

Different style end fittings are used on R-12 and R-134a hose sets. R-12 hose sets use a 1/4 female refrigeration flare (FFL) on all hose ends. A shutoff valve is required on all three hoses within 12 inches of the end connected to the AC system or service equipment. R-134a hose sets use a 1/2 ACME female nut on the gauge end. Special quick disconnect couplings are normally combined with a shutoff valve on the high and low side hoses. The free end of the utility hose contains a 1/2 ACME female nut and a shutoff device within 12 inches of the hose end.

These special hoses and fittings are designed to minimize refrigerant loss and to preclude putting the wrong refrigerant in a system.

Two hoses (left and right) connect to the low and high sides of the system, usually at the compressor on R-12 systems. The center (utility) hose is used to remove refrigerant from the system, evacuate air and moisture, or add refrigerant. Gauges are calibrated for either high or low pressure and vacuum. The term compound gauge set is often used because the low pressure gauge responds to pressure and vacuum. Separate gauge sets are required for R-12 and R-134a.

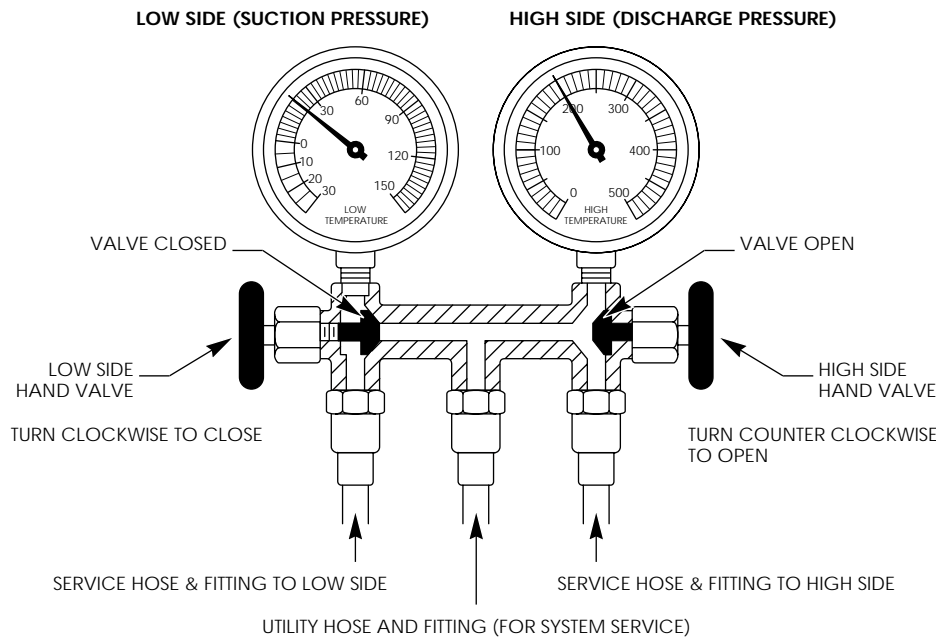


Figure 6-2

The basic manifold and gauges are illustrated. The low pressure gauge displays pounds per square inch (PSI) and inches of mercury (in. Hg). Hg is the chemical symbol for mercury. The high pressure gauge reads in pounds per square inch.

CAUTION

Many gauges have dials with metric and US scales to measure pressure. The more expensive manifold gauge sets have liquid filled gauges and additional valves and fittings incorporated in the manifold. All gauges are breakable and should be handled with a reasonable amount of care.

The high pressure gauge registers system pressure from 0 to 500 PSI. The low pressure gauge registers pressure from 0 to 150 PSI clockwise, and vacuum from 0 to 30 inches Hg counter-clockwise.

There are a few important rules and procedures you must follow concerning gauge set hookup. Both the rules and procedure are for your safety and to protect the AC system. The basic rules are covered briefly here. Gauge set hookup should not be done until after you have made a complete visual and performance inspection of all AC system components. These inspections are described in detail in *Chapter 7*. In addition you should inspect the engine, cooling system and other engine driven devices. Engine cooling system problems can cause false gauge readings and incorrect AC system diagnosis. Worn drive belts or hoses are dangerous to work around.

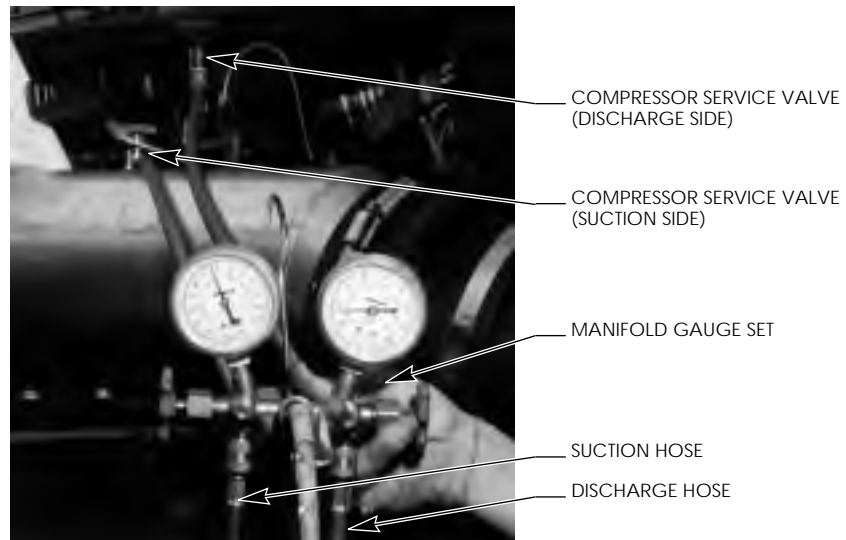
CAUTION

Never attempt to hook up the manifold gauge set with the engine running. Never hookup the gauge set until you have checked to be sure the hand valves on the manifold are closed. Never hookup the gauges to the AC system until you have made a visual and performance inspection.

Figure 6-3 shows the typical gauge set hookup location on a truck. Note that the gauge set hoses are connected to system service valves.

Figure 6-3

This illustration shows the typical manifold gauge set hookup location.

**4. System Service Valves (R-12 Only)**

System service valves allow safe access to the system inside of an AC system through the manifold gauge set. There are usually two (2) service ports mounted in an easily accessible area for access to the low and high pressure sides of the system.

Two types of service valves are in common use today—stem type and Schrader. The stem type valve stems screw in and out. They may be used to isolate the compressor from the rest of the system for fast compressor replacement. The Schrader type valve functions like a tire air valve. They are easy to incorporate in other locations in the system. Figure 6-4 shows both types of valves and how they work.

Note: Many systems have extra service valves (Schrader) in the system. These valves accommodate pressure switches or provide another service port. The new R-134a refrigerant uses special service fittings to prevent the mixing of refrigerants and oil.

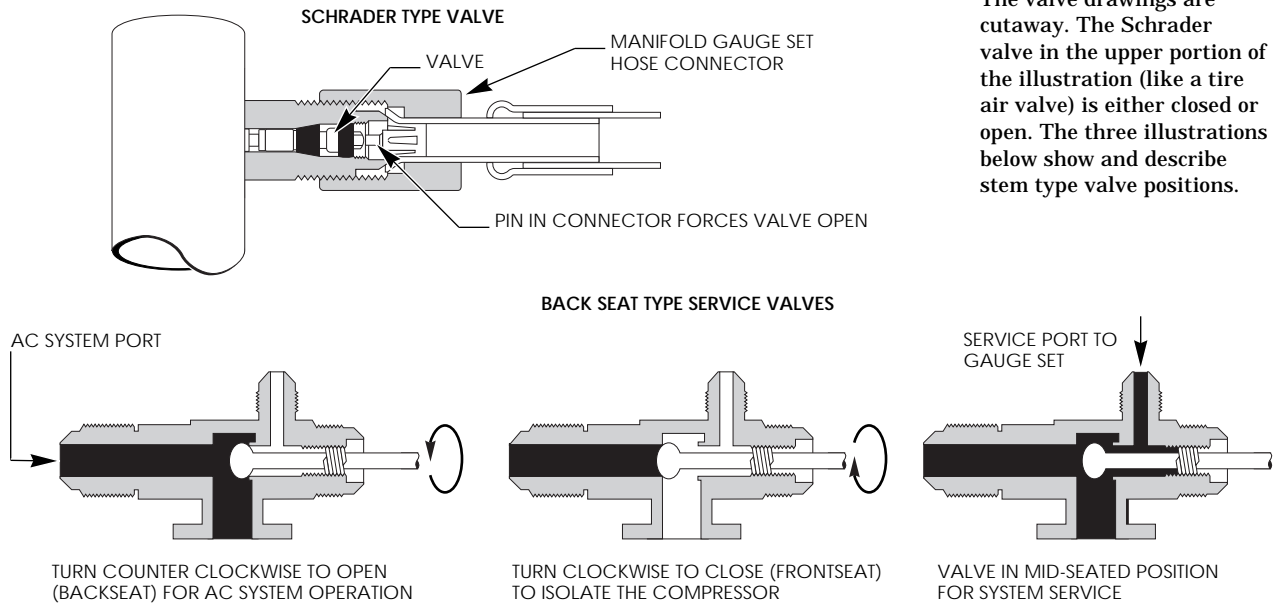


Figure 6-4

The valve drawings are cutaway. The Schrader valve in the upper portion of the illustration (like a tire air valve) is either closed or open. The three illustrations below show and describe stem type valve positions.

5. System Service Valves (R-134a only)

New and unique service hose fittings have been specified for R-134a systems. Their purpose is to avoid cross-mixing of refrigerants and lubricants with R-12-based systems. The service ports on the system are quick disconnect type with no external threads. They do contain a Schrader type valve as shown in figure 6-5. The low side fitting has a smaller diameter than the high-side attachment.

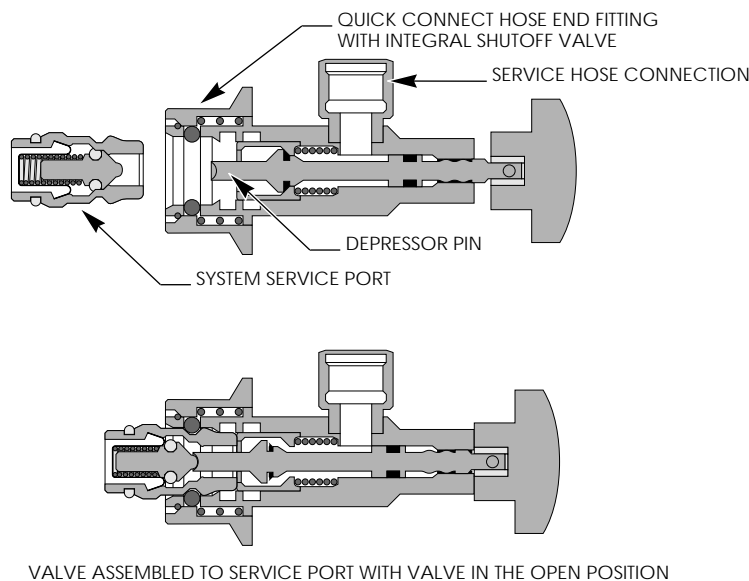


Figure 6-5

This illustration shows R-134a service ports and hose end fittings.

6. Vacuum Pumps

Air and moisture inside an air conditioner contaminate the system. They combine with refrigerant and refrigerant oil to form acid and sludge. Moisture inside a system can freeze at the expansion valve orifice, blocking the flow of refrigerant temporarily. The result is erratic system function. A vacuum pump is used to remove air and moisture from the inside of hoses and components of the air conditioner, but special care must be taken to keep components clean and moisture free.

When the vacuum pump is hooked up to the system through the manifold gauge set (and the service valves are open), the pump sucks air out. The result is a negative pressure or vacuum. The air is removed quickly, in just a few minutes. However, the humidity in the air may condense inside the system and this moisture must be removed.

Moisture will vaporize in a vacuum when a sufficient vacuum level is reached. Vacuum level is measured in inches of mercury. The vacuum pump must operate long enough to cause any condensed moisture inside to vaporize so the pump can suck it out of the system.

In truck and other heavy duty applications it is most difficult to remove the moisture. The hoses used to connect the AC components in a truck may be ten times longer than in a car AC system and may have more bends and connections where moisture can hide. For this reason, vacuum pump capacity and how long you use the pump are important. A higher pump capacity and longer pumping time help insure that all moisture is out of the system. There are two types of vacuum pumps, rotary vane and piston type. They require an electrical source for power. Each is illustrated in Figure 6-6. The rotary vane pump is thought by many to be superior because it is powerful and quiet. We will describe how to use a vacuum pump to evacuate (remove air and moisture from) the system in *Chapter 8*.

Figure 6-6

Two types of vacuum pumps are illustrated and described. Both evacuate air and moisture from the air conditioning system through the service valves, manifold gauge set and hoses.



ROTARY VANE PUMP



TWO STAGE PISTON PUMP

7. Leak Detectors

There are two types of leak detectors in popular use. The least expensive is called a Halide leak detector and is made from a propane torch. The other is called an electronic leak detector. Electronic detectors operate on one of two principals, positive ion or negative corona.

Halide Leak Detector (R-12 Only)

A Halide propane torch leak detector can be used to find system leaks as low as five ounces per year. It includes a propane tank and torch assembly. The torch assembly includes a control valve and tube, pickup hose, orifice at the top of the tube, and copper reactor plate. A chimney surrounds the orifice and copper plate and has a window cut out. The chimney shields the propane gas flame. You can analyze flame color through the window.

In use, ignite the propane and adjust the flame to heat up the reactor plate. The burning propane gas sucks air up the pickup tube (the oxygen in the air also burns with the propane). To detect leaks, move the pickup tube slowly about the AC system. Take care to move the tube **below** potential leak points because R-12 is heavier than the air. Any R-12 present is drawn up the tube and burned. When R-12 is present in the flame, the copper reacts with it and the flame changes color. Figure 6-7 illustrates this leak detector and method. The flame colors are described.

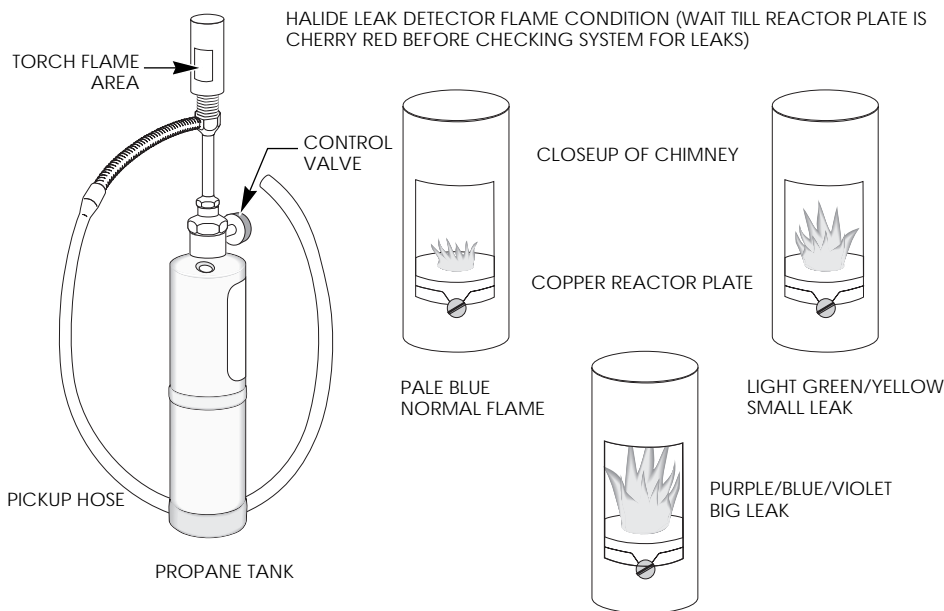


Figure 6-7

The halide leak detector and parts are described. You can use it to detect R-12 leaks as low as five ounces per year. There are three drawings of chimney/reactor plate/flame conditions to show you how the detector works to indicate a leak.

WARNING

An open flame in your shop is dangerous. The Halide leak detector should be used with care. Be sure there is adequate ventilation to carry away any fumes from the torch. Remember that refrigerant changes to a poison gas when burned.

Electronic Leak Detector

Electronic leak detectors are safer than the Halide system and about ten times more sensitive. Some designs can detect an R-12 or R-134a leak as low as one half ounce per year. There are two types of electronic detectors, positive ion and negative corona. These technical terms, positive ion and negative corona, are used in describing the electronic elements and their function in these detectors. The negative corona type detector has a longer service life and requires less power.

Electronic detectors have a probe that is moved around the AC system. Where refrigerant is present, a change in current flow inside the probe is sensed by an electrical circuit. This activates a buzzer which signals the user about the presence of a refrigerant leak. Figure 6-8 shows an electronic leak detector of the negative corona type.

Figure 6-8

The electronic leak detector is a small hand held device that is easy to use. It detects R-12 and R-134a leaks as small as one half ounce per year.

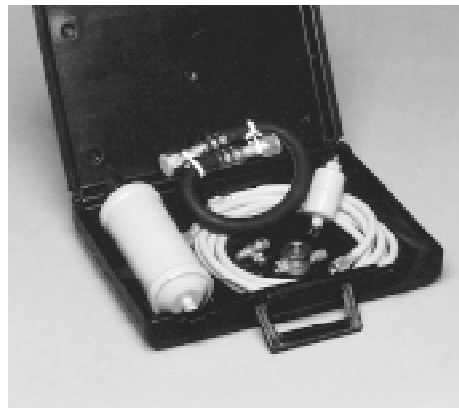


8. Flushing Kit

A flushing kit is used to remove contaminants from AC system hoses, evaporator and condenser. Any other components should be bench checked or replaced as flushing is either not effective or will cause damage. Flushing these components is recommended when you replace the compressor or find contamination in other system components (receiver-drier, expansion valve, or at connections). Flushing must be done with a "closed-loop" flushing kit using the Recovery/Recycle station.

Figure 6-9

Flushing kit to use with one brand of recycling station (Sercon).



9. Heater System Service Tools

In addition to normal tool box items, several test devices are required for effective cooling system service. These are a pressure tester, hydrometer and thermostat tester. The **pressure tester** is a simple hand pump with a pressure gauge, hose, and adapters. The adapters are used to connect the tester to the radiator filler neck or to the pressure cap. You use the pump to apply pressure to the cooling system or cap. Then you check for system leaks or for cap function.

A **special cooling system hydrometer** is used to draw coolant from the radiator into a clear tube containing a float. The float has a scale you read and relate to a scale on the hydrometer. The hydrometer scale corresponds to a temperature level at which the coolant will freeze.

A **thermostat tester** has a built in thermometer and a heating element. You put water and the thermostat in the tester, turn on the heating element and observe the thermostat to see if it functions. The thermostat should begin to open at from three to nine degrees Fahrenheit below it's rated temperature and should be fully open at the rated temperature.

Other Equipment

The pulley alignment bar and belt tension gauge may already be a part of your normal tool chest items. They are good tools to have for other service work. In AC systems, belt alignment and tension are important for efficient compressor clutch operation and belt and clutch bearing service life.

A fin comb is used to clean bugs and debris from the condenser and evaporator fins and straighten them if they are bent. These combs are made of molded plastic with a series of grooves to correspond with condenser and evaporator fin spacing.

The dial-type or digital thermometer is used to measure the temperature at evaporator fins or the air coming out of ducts. Figure 1-6 in *Chapter 1* illustrates and describes a typical dial type thermometer.

A variety of compressor service tool kits are available. These contain special tools needed for clutch removal, compressor tear down, service and repair. To check compressor oil level you can make your own oil dipsticks or purchase one for each type of compressor. Three of these and their uses are illustrated in Figure 6-10.

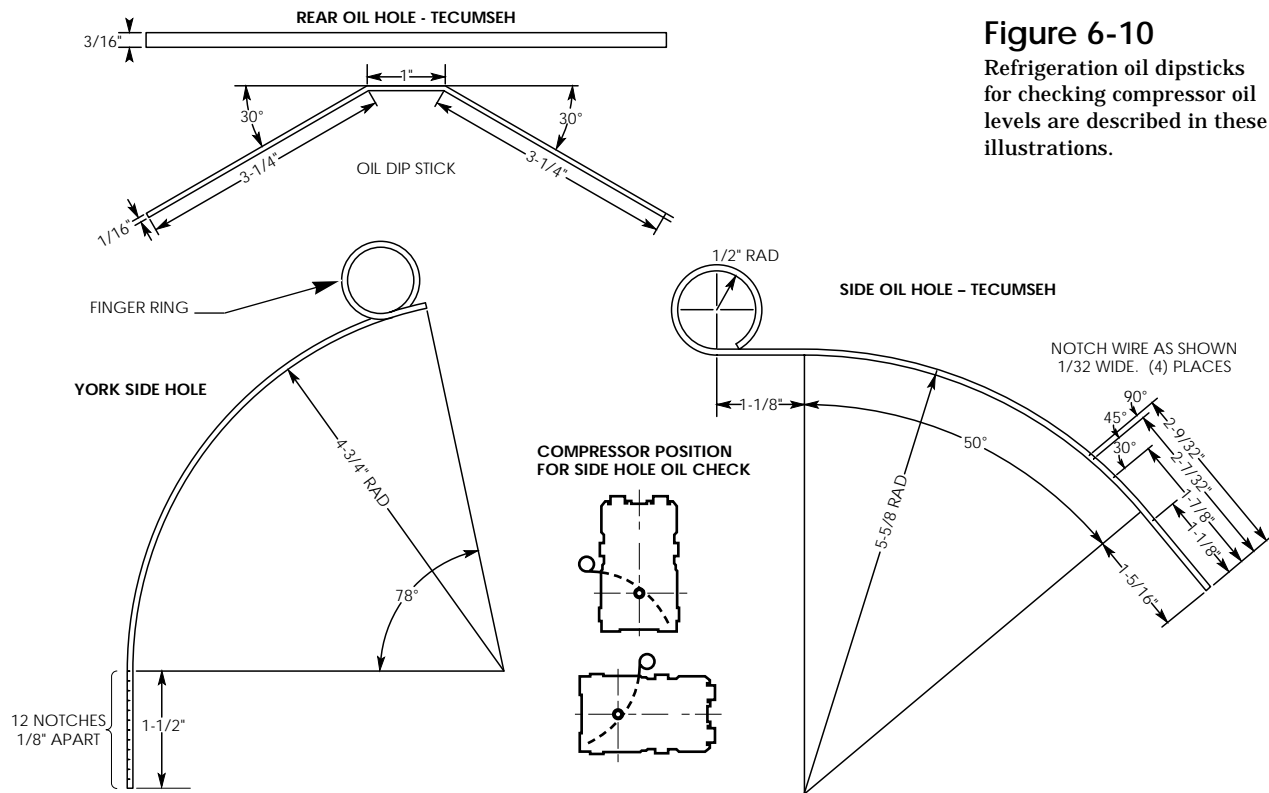


Figure 6-10
Refrigeration oil dipsticks for checking compressor oil levels are described in these illustrations.

Compressor oil injectors are available that connect to the manifold gauge set or charging station to dispense refrigeration oil.

It's a good idea to have a torque wrench, a vacuum tester, a Schrader valve core remover/installer and any other special system testers you would need if you are going to service specific systems.

Earlier we mentioned refrigerant scales or charging meters and charging stations. They are all designed to provide an accurate measure of the refrigerant you use when charging the AC system. The more elaborate charging stations combine the refrigerant supply, manifold, gauges, a heated charging cylinder, hoses and vacuum pump on an easily moved cart or stand. Some even have refrigeration oil dispensing and leak detection capability built in. The more expensive units have electronic controls. Figure 6-11 illustrates some of these devices.

Charging Stations, Basic Description of Use

(Refer to Fig. 6-11.)

- a. After repairing the AC system use this station to evacuate air and moisture from it. The station adds the recovered/recycled refrigerant to the AC system. A metering device is used in conjunction with this station to monitor the amount of refrigerant added.
- b. This all purpose recovery/recycling/recharging station provides all necessary service features in one package. This station recycles the refrigerant during the evacuation cycle. A microprocessor control allows automatic recovery shutoff, programmable evacuation and charging cycles.

Figure 6-11

Basic and electronically controlled charging stations and a charging meter are pictured.



a.) CHARGING STATION WITH A VACUUM PUMP AND CHARGING CYLINDER



b.) ALL PURPOSE CHARGING STATION INCLUDES AUTOMATIC EVACUATION, OIL INJECTION, RECHARGING, ELECTRONIC CONTROLS TO ADJUST VACUUM PUMPING TIME AND LEAK DETECTION

Other electronic devices you may want to consider are an electronic digital thermometer or electronic sight glass. The advantage of the electronic thermometer is reading speed (it will give you a reading in a few seconds or less), accuracy, and temperature range, all in one unit.

Note: Separate charging stations are required for R-12 and R-134a.

The electronic sight glass is an ultrasonic device with two sensors. The sensors are clamped to a metallic tube (not a hose) carrying refrigerant inside the system, and connected to an electronic signaling device. The type of refrigerant metering device used in the system and where you clamp the electronic sight glass affect how the tester signals to tell you system charge condition.

Chapter Review

- Before servicing an HVAC system, safety must be taken into account. Be aware of what safety precautions must be followed at any time during the servicing of an HVAC system.
- Basic AC tools consist of a recovery/recycle station, refrigerant dispensing valves and containers, a manifold gauge set, system service valves, vacuum pumps, leak detectors, a flushing kit, and heater system service tools.
- Other equipment used to service air conditioners includes a pulley alignment bar, a belt tension gauge, a fin comb, a dial-type or digital thermometer, a compressor service tool kit, a compressor oil injector, a torque wrench, a vacuum tester, other special system testers, a refrigerant scale, a charging meter, a charging station, and electronic devices such as electronic digital thermometers/pyrometers, and an electronic sight glass.

Chapter 7 Inspection and Maintenance—*without gauges*

Click on any of these subject headings to go directly to the page

- Discussion of Inspection & Maintenance Survey Results
- Visual Inspection - System Off
- Electrical System Inspection
- Performance Inspection - Engine Running
- Heater System Inspection
- Preventive Maintenance Worksheet
- Chapter Review

Discussion of Inspection & Maintenance Survey Results

There are three reasons for regular inspection and maintenance procedures:

1. They save money in the long run by reducing down time and often prevent more costly repairs.
2. They help to insure driver comfort and safety.
3. They add to your store of knowledge about these systems and maintain your level of efficiency.

About half of all heavy duty vehicles have air conditioners. Surveys of AC system owners find that over 30% of the systems are serviced every six months or less, and another 62% are serviced at least once a year.

The survey also covered how often the different components required maintenance. Figure 7.1 below shows survey finding percentages. Failure of any of the AC components listed in the survey could cause a system to malfunction or stop cooling.

Figure 7-1

This chart shows maintenance frequency, lists key parts and how often they require maintenance.

INSPECTION & MAINTENANCE SURVEY					
How often are your air conditioners serviced?					
Average	1 to 6 months	7 to 12 months	More than 12 months	Never	
	30%	62%	6%	2%	
Which AC components require frequent maintenance?					
Belts	Compressor Clutch	Condenser	Add Refrigerant	Refrigerant Lines	Valves
32%	26%	12%	12%	11%	7%

Note: The above survey results may not apply to your situation. Actual operating conditions for the vehicles you service will determine or influence maintenance frequency and requirements.

The following inspection procedures should take about 15 to 20 minutes, longer if corrective steps, part replacement or adding refrigerant is necessary. There is a “Preventive Maintenance Worksheet” you may use at the end of this chapter, Figure 7-9.

Visual Inspection - System Off

Your observations and the corrective measures you take may be different depending on circumstances. The following inspection procedures are explained in more detail below:

1. Observe the System
2. Inspect Parts
3. Check Hoses and Fittings
4. Check for Refrigerant Leaks

Use the following procedures as a general rule in performing a visual inspection with the AC system off:

1. Observe the System

Your first inspection step is to answer the following question if you can:

- Has the vehicle just come in off the road and has the HVAC system been in use?
- Did the operator or work order explain or describe any problems about the system?
- Did someone else work on the system yesterday, 700 miles down the road? Your first inspection step is to answer these questions if you can.

CAUTION

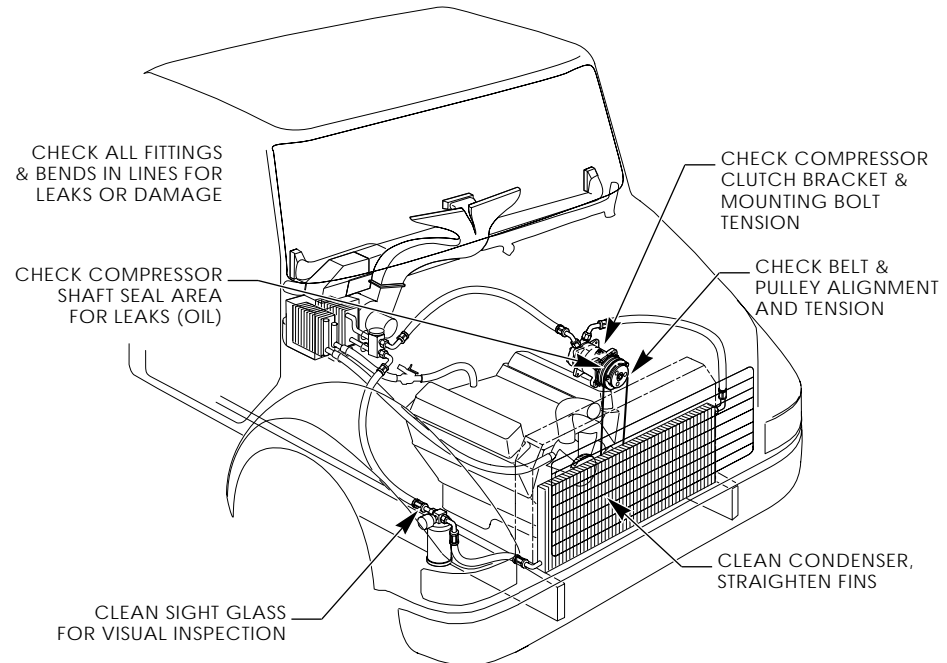
Even when someone has told you what is wrong with an HVAC system, you should perform a visual inspection. Always make a visual inspection before you hook up the manifold gauge set. Never add refrigerant to a system until you have made a complete visual and performance inspection.

2. Inspect Parts

Look at the system for what might come loose, leak, wear out or become dirty and not function the way it should. The main points for visual inspection of the system are emphasized in Figure 7-2.

Figure 7-2

This system illustration notes the main points for visual inspection.



A. Condenser – Is it free of leaves, bugs, bird feathers or mud? The condenser must be relatively clean to work well as a heat exchanger. How you clean the condenser depends on where it is mounted. The condenser fin comb, air hose and nozzle, or soap and water may be used. Where possible, check condenser mounting bolts or screws and tighten them if necessary.

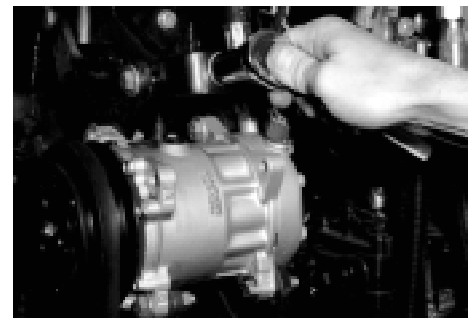
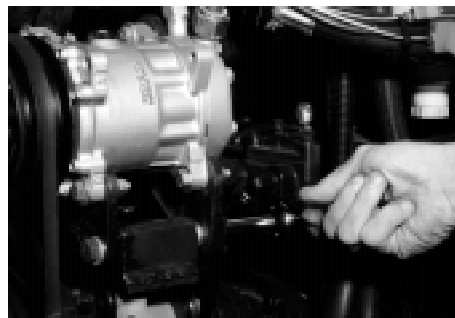
Condenser failure often results from loose hoses. Hose movement will cause fatigue failure of condenser tubing adjacent to the fittings. Make sure the hoses are securely clamped.

While inspecting the condenser check the receiver-drier sight glass and connections. Look to see if the sight glass has a moisture indicator that is showing moisture in the system.

B. Components Under the Hood – Tip the cab or raise the hood. Look at the compressor mounting bracket, compressor clutch assembly, drive belt and pulley alignment. The mounting bracket, compressor, clutch and drive pulley should be fastened securely, and a clutch groove (there may be two grooves) should be in line with the drive pulley. Tighten all bolts shown in Figure 7-3, as you inspect.

Figure 7-3

Engine and compressor vibration can work mounting bolts loose. Tighten all mounting bolts as you inspect the system. Slots in the mounting bracket are used to move the compressor clutch assembly in order to adjust belt tension or alignment.



C. Drive Belt – The drive belt should be tight and in good condition. Use a belt tension gauge to check tension (120 pounds maximum). With experience, you can feel belt tension by twisting the belt. Try feeling belt tension after using the gauge, when you know the tension is correct. Replace belts if they are frayed or look worn.

If the clutch pulley/belt alignment is obviously off, you need to loosen the compressor or mounting bracket, or both—and use the alignment bar to line up the clutch pulley with the drive pulley. Tighten compressor mounting bolts first, then the bolts holding the bracket. The mounting bracket should have slots or other means of adjustment to allow you to adjust the tension of the drive belt. When you use a pry bar to apply tension, be sure you do not pry against the compressor. Pry against the mounting bracket.

3. Check Hoses and Fittings

Check all hoses and fittings. Look for places where hoses flex when the cab is tilted. Any places the hoses or fittings are fastened, clamped, connected, bent or secured are potential wear points. This also applies to places where hoses are not clamped or supported but should be (often near the condenser). All of these spots are potential leak or damage points. Tighten, re-fasten, add, or replace as indicated by your inspection.

4. Check for Refrigerant Leaks

System refrigerant leaks can be anywhere but there are obvious places. You can spot some by looking for signs of refrigerant oil forced out with refrigerant leakage. One location leaks frequently occur is the compressor shaft seal. The shaft and seal are hidden behind the clutch assembly, but centrifugal force will throw the oil off the shaft and against the engine, bracket or whatever is close. Check these points when you examine the compressor clutch and mounting bracket. A solution of soap and water applied around potential leak points works well for detecting leaks. A leak in the evaporator may be indicated if you feel around the condensate drain hole and find oil present.

Note: You can add inexpensive dry nitrogen gas to the system instead of R-12 if system pressures are low. Dis-pense the gas at no more than 200-250 PSI as this is sufficient pressure to cause or indicate a leak point in the AC system. AC service procedures for complete system recovering of refrigerant, evacuating, and re-charging are covered and illustrated in *Chapter 9*.

Note: A leaking heater core could also result in coolant at the condensate drain.

You can feel for oil at the bottom of all connections (see Figure 7-4) if the system is not too hot. Of course, a few minutes with an electronic leak detector is the best way to check for leaks. Keep in mind that pressure is different in a system at rest, so small leaks may be hard to find. Pressure in a system at rest, will equalize at from 60 to 95 PSI, depending on outside air temperature. This means there is more pressure in the low side of the system at rest than during normal system operation. Just the opposite is true of the high side; at rest, high side pressure is lower. You may want to use the detector to check for leaks in the high side when the air conditioner is operating, if you suspect a leak and can't find it when the system is at rest.

Figure 7-4

This illustration shows a potential refrigerant leak point at the condenser fitting.



Electrical System Inspection

The two stages of an electrical inspection are explained in more detail below:

1. Inspect Electrical Connections
2. Check Electrical Current Flow and Device Functions

Use the following procedures to perform an electrical system inspection:

1. Inspect Electrical Connections

First, while you are making your visual inspection under the hood (cab) and/or at the roof top condenser, take a moment and check all electrical connections visually and by feel. Look for any corrosion on leads or connectors and clean them. Make sure all leads and wires are properly supported and securely connected.

2. Check Electrical Current Flow and Device Functions

Perform the following steps to check current flow and electrical device functions:

- A. Turn the Ignition On** – To check current flow the ignition must be on.

B. Turn the AC System On – This will power the thermostat and clutch. If it does not come on, use the AC mode switch to check the leads to the switch. You should be able to hear a “click” from the thermostat and hear the clutch drive plate “snap” against the clutch pulley. You can not check thermostat cycling on and off until you do the performance inspection. Figure 7-5 illustrates a typical AC electrical system and the places you should inspect. Figure 7-5 illustrates a typical AC electrical system and the places you should inspect.

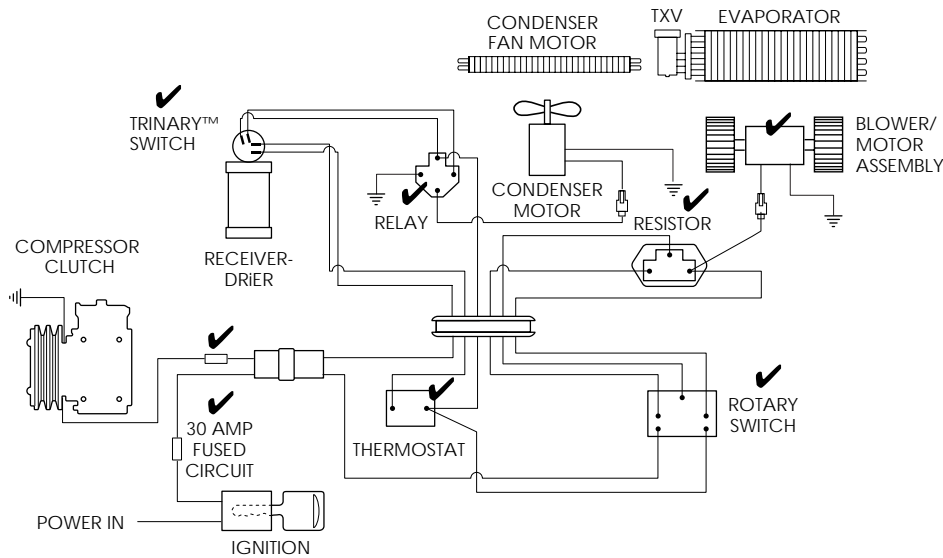


Figure 7-5
The electrical system inspection points are noted with check marks (✓) on this wiring diagram (electrical schematic).

C. Check Fuses – If there is a failure and you have made sure all connections are clean and tight, you need to check fuses—in-cab as well as in-line.

D. Check Clutch Engagement – Since you can’t see and may not hear the clutch engage, get out and look at the clutch. If it’s engaged, you will see that the drive plate is against the pulley and not slightly spaced from it. If you are not sure the clutch is engaged, look for the lead wire connector near the clutch. Break and close that connection. The clutch will disengage and engage again.

E. Test Blower Speed Operation – Some systems have a common switch that turns on the air conditioner and powers the blower motor. Test blower speed operation by adjusting this or the separate blower control switch. Feeling the air flow from the ducts or note blower sound (speed) changes.

F. Inspect Roof Mounted Condensers – Don’t forget to inspect roof mounted condensers and AC systems for dirt and debris. Be sure the condenser fan(s) are working properly and all parts and electrical connections are securely fastened. The roof mounted condenser fans may come on when the system is turned on. Like the thermostat and most clutches, the normal on-off cycling action can not be observed until the engine is running with the AC system on.

Performance Inspection – Engine Running

The purpose of visual and electrical inspection is to detect obvious problems and assure AC system function for an accurate performance inspection. If you do the performance inspection first, you could be misled. Problem areas discovered during the performance inspection can give you false clues or symptoms, and result in repair errors and come-backs. The following performance inspection procedures are explained in more detail below:

1. Inspect System Component Cycling and Cab Temperature Levels
2. Check Clutch Cycling Under Load
3. Check Sight Glass

The performance inspection does not cover pressure and temperature sensitive safety devices (cutout switches, fan control, Trinary etc.). Testing these devices requires the use of the manifold gauge set for observation of internal system pressures during tests. These are explained in *Chapter 8*.

Use the following procedures as a general rule in a performance inspection:

1. Inspect System Component Cycling and Cab Temperature Levels

A. Turn On the Engine and Air Conditioner – Inspect for system component cycling and cab temperature levels.

Note: **System performance testing will be much faster if all doors and windows in the cab are closed.** The cab air must cool down to thermostat control setting levels before system components will cycle on and off, indicating correct function. This is called ‘stabilizing the system’ and takes about five minutes of operation. In very hot weather the system may not cycle.

B. Check Thermometer Readings – In the cab you can use your thermometer to measure air temperature at the vents. When the evaporator is easy to reach with a thermometer probe without removing some of the dash or duct work, use the probe to measure evaporator temperature. When the AC unit is on and working correctly, you can see the thermometer dial needle move down to about 32 degrees, then rise six to ten degrees and move back down again. The movement up and down indicates that the cycling clutch and thermostat, or orifice tube and accumulator pressure switch (to the clutch) are functioning correctly. In systems with a non-cycling clutch, this movement indicates correct function of the refrigerant metering device.

The needle movement is called “temperature swing.” When you can adjust the thermostat setting, the range of swing should change. For example, from full cooling (cold) to moderate (between cold and warm), the swing may change from 32-38 to 32-42 degrees.

These readings at the vents will be higher and temperature swing slower and not as obvious. Also blower speed will cause the temperature, levels to read higher (high air speed) or lower (low air speed) at the same thermostat setting. When you measure air temperature, an electronic thermometer/pyrometer is a great tool to have. You can easily measure cab air temperature at several locations quickly.

Swing temperatures vary depending on where you measure temperature, and on outside temperature, humidity and altitude. The chart in Figure 7-6, shows some examples of typical temperature variables. Don't forget that cab and sleeper area temperatures can vary within the same vehicle. Also, electronic controls used in newer HVAC systems often keep the temperature spread within a narrower range.

AIR TEMP. DEGREES F.	70°		80°		90°		100°	
	HUMID	DRY	HUMID	DRY	HUMID	DRY	HUMID	DRY
AIR QUALITY								
CENTER OUTLET AIR TEMP. DEGREES F.	43° to 47°	40° to 44°	44° to 48°	40° to 44°	47° to 51°	40° to 44°	52° to 56°	41° to 45°
LEFT & RIGHT AIR OUTLET TEMPERATURE WILL VARY								
	LEFT	RIGHT	LEFT	RIGHT	LEFT	RIGHT	LEFT	RIGHT
OUTLET AIR TEMP. RANGE DEGREES F.	40° to 41°	41° to 44°	41° to 45°	43° to 47°	46° to 52°	47° to 54°	48° to 55°	50° to 56°

Figure 7-6
The chart of AC system and cab temperature range shows you typical variables.

2. Check Clutch Cycling Under Load

The following operating inspections, visual and by feel, are done outside the cab while you wait for the system to stabilize.

A. Lift hood – With the hood up (or cab tilted) observe the clutch cycling under load.

Note: If the condenser is hood mounted you may not have adequate air flow through it.

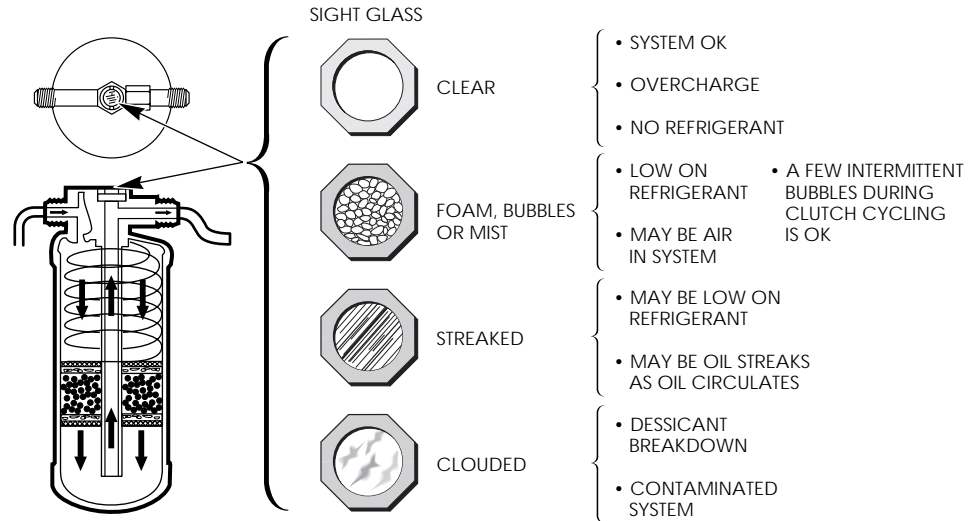
B. Touch suction and discharge lines – Soon after system start up you can safely feel the suction and discharge lines and note their change in temperature. The discharge line will get hot (after a while it may be too hot to touch) and the suction line will get cooler.

3. Check Sight Glass

The sight glass is the only point where you can actually see inside the air conditioner during operation. Check the sight glass through the window on the top of the receiver-drier (or the separate in-line sight glass). If the system is functioning properly and cooling the cab adequately, the sight glass should be clear (you will not see anything in it). If it is not clear when the system is first turned on, wait a few minutes for the system to stabilize, then look again. Figure 7-7 illustrates and explains what you may observe in the sight glass. Roof mounted condenser fans may run continuously or cycle on and off. If you can't tell by sound you may have to climb a ladder and observe the fan blades.

Figure 7-7

These drawings illustrate conditions you may observe in the sight glass window.



Note: A roof mounted condenser or AC unit assembly often includes a roof mounted receiver-drier (and sight glass) close to the condenser.

Heater System Inspection

A heater system inspection is really a combination engine cooling system and heater inspection. All heater/cooling system rubber parts deteriorate due to the air (ozone), heat, coolant and oils. They should be replaced at regular intervals to prevent breakdown on the road. Metal parts and gaskets are subject to malfunction or breakdown due to fatigue and corrosion.

Coolant has a limited life and should be replaced regularly. If it is dirty, the cooling system should be drained and flushed or back flushed (using special equipment) before refilling with clean water and anti-freeze. Coolant must be hot when using the hydrometer to check protection (freeze-up) level. The following inspection procedures are explained in more detail below:

1. Check Heater Control Valve Function
2. Inspect Other Functions

1. Check Heater Control Valve Function

Many air conditioner/heater systems depend on the heater control valve for temperature control and positive closure. You can easily check heater control valve function as follows.

A. Cool engine – Start with the engine cool, set the temperature to cold and leave the fan off. As the engine warms up, feel the heater return hose. If the hose feels warm or hot, the heater control valve is leaking internally. This type of leak can seriously reduce air conditioning performance.

B. Warm up engine – Next, let the engine warm up to normal operating temperature and set both fan and temperature on high. Feel both heater supply and return hoses. If there is a noticeable difference in their temperature, it indicates a low flow of coolant through the heater core (a partially closed or blocked heater control valve). This could result in poor heating performance during cold weather conditions.

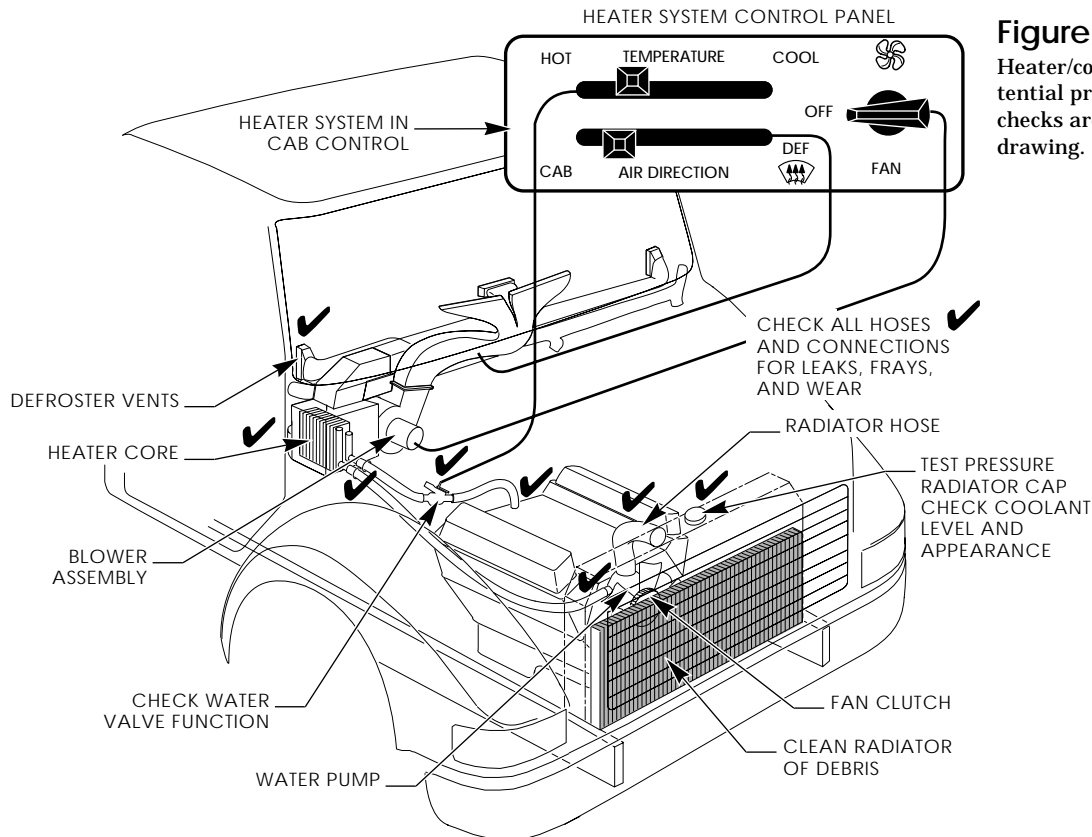


Figure 7-8
Heater/cooling system potential problem areas and checks are indicated in this drawing.

2. Inspect Other Functions

There are some things you can't see or feel when you inspect the thermostat, heater core, radiator pressure cap, electrical switch and control valve functions. Some of these can be checked with the pressure and thermostat testers as described in *Chapter 6*. A hand pump pressure tester can also be used to check for coolant leaks. This is done by using the pump to raise the pressure inside the system above normal operating pressure to force small suspected leaks to show up.

Heater/cooling electrical and valve component inspection is the same as air conditioner inspection. The controls are operated to see if they function correctly to maintain or vary cab temperature and air flow.

Preventive Maintenance Worksheet

Please feel free to modify or copy the worksheet in Figure 7-9. Actual vehicle use, mileage, operating conditions and maintenance budget may influence service frequency.

Chapter Review

The purpose of these brief inspection procedures is for vehicle system maintenance and to determine if further, more detailed service is required. The uses of a manifold gauge set, system troubleshooting, recovery, flushing, evacuating and charging are explained in the next chapter.

High usage and operating condition variations are tough on air conditioning and heater components. You should establish and follow regular inspection and maintenance procedures to improve overall system function and component service life.

The typical inspection should not take more than 15 to 20 minutes unless component replacement and/or complete system evacuation and recharging is warranted. The survey results shown in Figure 7-1, indicate belts, compressor clutch assembly, condenser and the refrigerant lines are the most frequent problem areas. However, your own experience with service and maintenance may vary from survey results.

Inspection should first be visual and by feel. Some of your electrical system inspection will be done as you inspect other components (checking leads, connections and for loose wires). When you check the electrical circuit, begin with the engine off but ignition on. A system performance inspection with the engine running and system on really combines electrical and AC or heater system function.

Figure 7-9 Preventive Maintenance Schedule.



PREVENTIVE MAINTENANCE SCHEDULE FOR AIR CONDITIONING SYSTEMS

NOTE: Typical Maintenance Schedule: 3 months or 15,000 miles, 6 Months or 30,000 miles, 12 Months or 60,000 miles

Installation Date: _____ Mileage: _____

Last Maintenance Check: _____ Mileage: _____

Checked by _____ Mileage: _____

COMPONENT	MAINTENANCE INTERVAL (months)			DONE	COMPONENT	MAINTENANCE INTERVAL (months)			DONE
	3*	6*	12*			3*	6*	12*	
1. COMPRESSOR					4. EXPANSION VALVE				
Check noise level	•			<input type="checkbox"/>	Inspect capillary tube			•	<input type="checkbox"/>
Check clutch pulley	•			<input type="checkbox"/>	(leakage/damage/looseness)				
Check oil level	•			<input type="checkbox"/>	5. EVAPORATOR				
Run system 5 minutes	•			<input type="checkbox"/>	Clean dirt/bugs/leaves from			•	<input type="checkbox"/>
Check belts for tension	•			<input type="checkbox"/>	fins/tubes (w/compressed air)			•	<input type="checkbox"/>
(120 lb max.)					Check solder joints on			•	<input type="checkbox"/>
Inspect shaft seal (leakage)		•		<input type="checkbox"/>	inlet/outlet tubes (leakage)			•	<input type="checkbox"/>
Check mounting bracket		•		<input type="checkbox"/>	Inspect condensate drain			•	<input type="checkbox"/>
(tighten bolts)					(R-12 or oil leak)				
Check alignment to clutch		•		<input type="checkbox"/>	6. OTHER COMPONENTS				
w/crankshaft drive pulley					Check discharge lines	•			<input type="checkbox"/>
Perform manifold gauge check			•	<input type="checkbox"/>	(hot to touch)				
Verify clutch is engaging			•	<input type="checkbox"/>	Check suction lines	•			<input type="checkbox"/>
CONDENSER					(cold to touch)				
2. Clean dirt/bugs/leaves from	•			<input type="checkbox"/>	Inspect fittings/clamps/hoses		•		<input type="checkbox"/>
coils (w/compressed air)					Check thermostatic switch			•	<input type="checkbox"/>
Check inlet/outlet for	•			<input type="checkbox"/>	(proper operation)				
obstructions/damage					Outlets in cab (temperature			•	<input type="checkbox"/>
RECEIVER-DRIER					check; 40 to 50°F)				
3. Check inlet line from	•			<input type="checkbox"/>	Check fan clutch (proper			•	<input type="checkbox"/>
condenser (hot to touch)					operation)				
Check sight glass	•			<input type="checkbox"/>	Inspect all wiring			•	<input type="checkbox"/>
(streaks or cloudiness)					connections				
Replace if system is opened			•	<input type="checkbox"/>	Operate manual controls	•			<input type="checkbox"/>
					through full functions				

The following require monthly maintenance:

*Compressor - run system at least 5 minutes (40 degrees Fahrenheit minimum outside temp.) in order to circulate oil and lubricate components.

Maintenance notes: _____

Chapter 8 Troubleshooting & Service Procedures

Click on any of these subject headings to go directly to the page

- Troubleshooting Overview
- Understanding System Function
- A Troubleshooting Example
- Manifold Gauge Set Installation
- Troubleshooting by Manifold Gauge Set Readings
- Review of Frequent Problem Areas
- Conclusion

Can you fix an air conditioner or heater system without finding and correcting the cause of the problem? You bet you can! It happens every day and it's not good for business. Here is an example. A truck pulls in off the road and the operator asks to have his rig serviced in a hurry. He tells you the air conditioner isn't cooling like it should and dashes into the restaurant for lunch.

You tip the hood, and check the sight glass on top of the receiver-drier. You see bubbles, not a lot but a fairly constant stream of them. It is obvious the system is low on refrigerant so you hook up the manifold gauge set, purge the gauge set hoses of air, and add refrigerant until the sight glass clears. Then you check evaporator temperature and it's OK. **The air conditioner is repaired right?** Wrong! What you did is add refrigerant and the problem went away. You did not find and fix the cause of the problem.

Component failure in an air conditioning system may be the result of a problem elsewhere in the system. For example, a belt or clutch failure might be caused by a dirty condenser restricting air flow and increasing head pressures. High head pressures commonly create problems with other system components. **Take time to look beyond the obvious for a potential hidden problem.**

Troubleshooting Overview

Troubleshooting includes collecting enough information to locate the cause of the problem, then correcting the problem and its cause by replacement, adjustment, and/or repairing. You begin by gathering information from the most to the least important sources.

Starting with the most important:

1. Your personal knowledge and experience with AC systems.
2. The vehicle operator's knowledge and experience—question him or her.
3. The work order.
4. Good test equipment and the HVAC system

The routine you follow when troubleshooting should proceed from the most to least productive way of locating the problem and fixing the cause.

Experienced troubleshooters talk to the operator if they can, then personally verify the symptoms of the problem whenever possible. They attempt quick fixes on the basis of their knowledge of common system problems and causes when appropriate. They know where components are located, and make repairs when they have a good idea of what the problem is. They fix the cause or causes as well as the problem. They are confident of their knowledge and ability.

Note: The best troubleshooters all know who to call when they get stuck. They know someone who knows more than they do and are not too proud to ask for help or suggestions when needed. The key—understanding system function

The Key-Understanding System Function

Your complete understanding of AC and heater systems and how they work, plus what can go wrong, is the key to troubleshooting and repair. We have talked about components and system function before. Now let's take a little different approach in describing what happens when the air conditioner is turned on. In Figure 8-1 we have used numbers on the illustration to track normal air conditioner function.

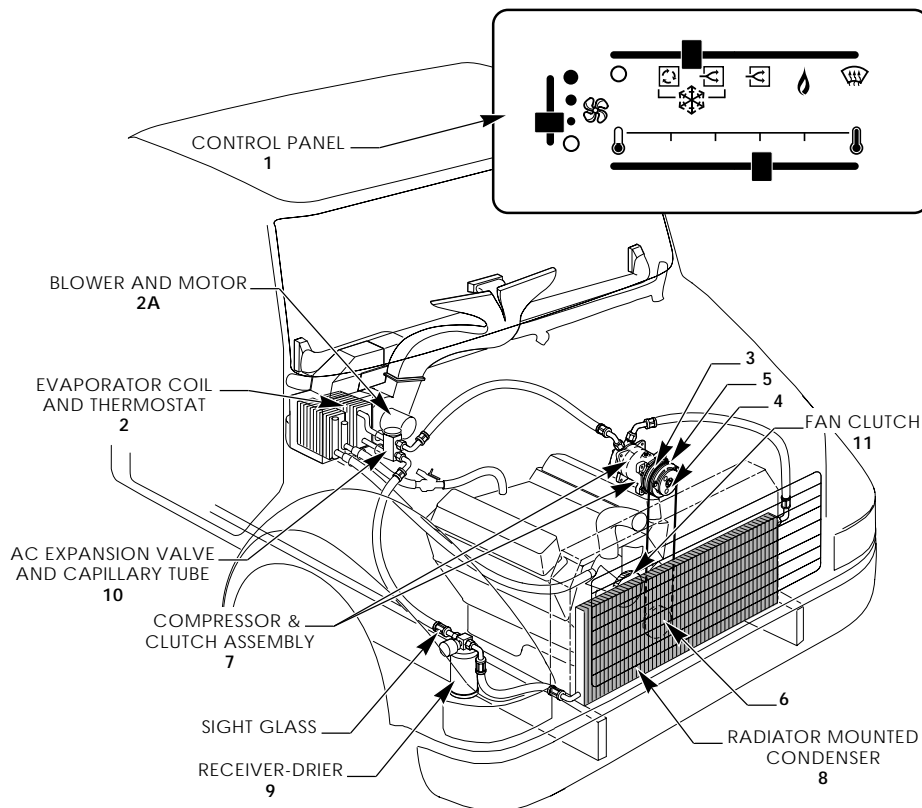


Figure 8-1

An illustration of the typical HVAC system. The numbers follow the action when the AC part of the system is working properly (moving heat out of the cab and into the outside air).

When you turn on the air conditioner at the control panel (1), the thermostat (2), is supposed to sense a warm temperature at the evaporator. A circuit in the thermostat should close, allowing current to flow through the thermostat to the compressor clutch field coil (3). When this happens, the clutch field coil becomes an electromagnet and pulls the clutch drive plate (4) tight against the clutch pulley (5).

Note: The same AC switch (1) may also turn on the fan or blower motor (2a) to circulate air in the cab. The air feels warm at first but will cool quickly.

A belt connects the clutch pulley to a drive pulley (6) on the engine. The engine provides the power to turn the clutch pulley and drive the compressor (7) when the clutch is engaged. When operating, the compressor compresses and pushes refrigerant gas to the condenser (8), through the receiver-drier (9), and to the expansion valve (10) orifice. When it does, it puts a lot of pressure on the gas. The compressor raises the temperature and pressure of the refrigerant inside the high side of the system.

At the same time, the compressor is also sucking in low pressure refrigerant gas from the expansion valve orifice, evaporator and through the low side of the system. The movement of the refrigerant inside the system transfers heat energy from the cab to the outside air for occupant comfort.

The automatic functions of the thermostat (or the pressure valve on some accumulators), and the expansion valve, help maintain pressures and temperatures inside the system at safe and efficient operating levels. Pressure and temperature are constantly changing due to compressor and expansion valve action, the amount of heat energy being moved and the environment or weather conditions.

The engine cooling system fan and clutch (11), and the evaporator blower motor (2a), move a sufficient amount of air through the condenser and evaporator. On the road, vehicle speed provides most of the (ram) air required for the condenser to work right. In a parked or slow moving vehicle the engine fan (or roof or remote mounted condenser and fans) moves sufficient air through the condenser fins.

Note: Clean refrigerant and refrigeration oil should be inside the system in the amount specified by the manufacturer. Moisture, sludge (moisture combined with refrigerant oil or desiccant), or desiccant particles will prevent the correct performance of the system and may cause component damage.

A Troubleshooting Example

Remember the story at the beginning of this chapter? The vehicle operator pulled in off the road and asked you to repair the rig. He was in such a hurry he didn't tell you anything except that the air conditioner wasn't cooling. Here is the best way to handle that kind of situation.

Use your knowledge and experience. Ask yourself what could have caused a lack of cooling in that rig! Did the compressor drive belt break? Did a pressure switch or relief valve cutout the compressor because of high or low system pressure? Does the switch or valve in this type of system reset itself? Could there be a superheat switch and thermal limiter with a melted fuse. Did someone else service the system recently and put in too much refrigerant?

Could there be contaminants in the system blocking the expansion valve (expansion tube)? If there is a leak, why and how did refrigerant get out of the system? You know if refrigerant can get out, air and moisture may get inside as well, especially if the leak is on the suction side of the system. Could there be a restriction to refrigerant flow in one of the high pressure lines because of a kink? From your knowledge and experience, you already know about these possibilities and others when you talk to the operator (before he has the chance to leave).

The right kind of questions can speed up troubleshooting and your service work by pinpointing the problem(s) that needs fixing. Your conversation with the operator might be as follows:

- *How long ago did the AC system stop cooling?*
Answer: About an hour ago.

- *What steps did you take when you noticed the lack of cooling?*
Answer: I put it on maximum cool.

- *Then what did you do?*
Answer: When it wouldn't cool, I opened the window and turned the air conditioner off.

- *Is this problem new or has it happened before, and when?*
Answer: In the last few days I've had problems with cooling off and on—this is the first time it's happened when I was close to a place that did AC service.

- *Do you get any cooling at all?*
Answer: Yes but it seems to quit after a while.

- *Do you still get air flow at the vents from the blower?*
Answer: Yes.

- *When was your air conditioner checked thoroughly?*
Answer: Before I bought the rig last May (a year ago).

- *Has the heater been used recently and did it work OK?*
Answer: Yes.

- *Have you had other service problems in the last few months?*

Answer: No.

- *(If the answer was yes, you should ask—When? Where? What was fixed or replaced?).*
- *Finally, ask the operator if he or she has a wiring diagram for the system.*

Now let's look at the information you have gathered from the operator and what you know from experience. He believes the problem is that the AC system quits cooling after it has been on for a while! You know that the AC system has not been maintained since the rig was purchased a year ago. Because of that, there could be several causes for the problem (lack of cooling) and there may be other potential problems about to develop.

It is possible that some refrigerant has leaked. Moisture and other contamination may be inside the system. You have been told there are no heater problems, but that doesn't mean there are none that might affect AC system operation. The AC system has quit cooling several times in the last few days. The problem may have become more severe than when it quit cooling the first time.

If enough refrigerant or oil has leaked out, a low pressure cutout switch may have cut the circuit to the clutch, protecting the compressor. Because the system has not been maintained in a year, there may be other components that should be serviced. You could fix the probable causes, and the system might work and then break down again as the rig drives out of your place. From your knowledge and what the operator has just told you, you know this may not be a quick fix problem.

It's up to you to describe the service situation to the operator. Tell him you need to do a complete system maintenance inspection to find and correct the problem or other potential problems. He can give you the go ahead for full service and repair now, wait till you have inspected the system to determine cause and cost, or delay repair until he has some down time available.

Normally when the operator can tell you what the problem is, you would first operate the system to verify the problem. In this situation your troubleshooting (your own knowledge added to what the operator told you), indicates the next step. You need to do a complete maintenance inspection instead! Proceed as described in *Chapter 7*. Correct any obvious problems and check carefully for leaks. Leak testing should be visual, by feel and with a leak detector. Next, do your performance test with the engine running and the AC system on.

Note: Don't forget to check the heater system too! If the water valve is not closed, then hot engine coolant flowing through the heater core would warm the air at the same time the evaporator was trying to cool it. The result would be the appearance of an AC problem.

If your AC and heater visual, electrical and leak inspections don't turn up any problems, save time by hooking up the manifold gauge set before you make the performance test. If you find a leak and can correct it easily by tightening a connection, do so. But if too much refrigerant leaked out, you may have to add some refrigerant to the system for an effective performance test. We will get into detail on troubleshooting with gauges after we explain manifold gauge set installation and adding refrigerant.

Manifold Gauge Set Installation

CAUTION Never hook up the gauge set when the engine and air conditioner are running. Be sure all the valves on the manifold are closed all the way (turn them clockwise). Check the hose connections on the manifold for tightness.

Locate the low and high side system service fittings and remove their protective caps. Position or hang the manifold gauge set in a convenient location. Figure 8-2 illustrates a good example of manifold gauge set hookup in one service situation.



Figure 8-2

A typical manifold gauge set hookup is shown in this illustration. The center hose on the gauge set is connected to the vacuum pump.

The manifold gauge set is a necessary tool in troubleshooting AC system problems. The following steps are performed during and after installing the manifold gauge set:

1. Purging Air from the Gauge Set Hoses
2. Adding Refrigerant to the System
3. Stabilizing the AC System.

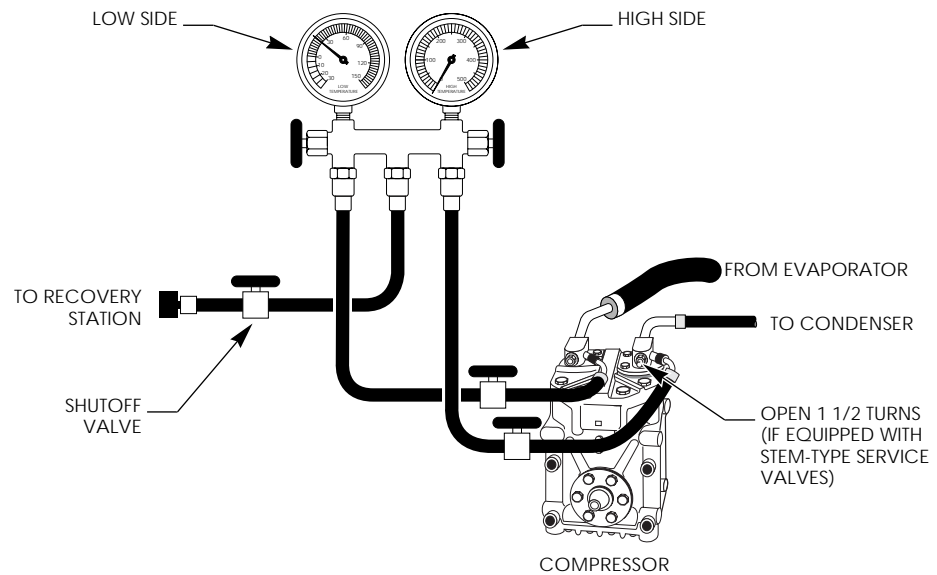
1. Purging Air From Gauge Set Hoses

Environmental regulations require that all service hoses have a shutoff valve within 12 inches of the service end. These valves are required to ensure only a minimal amount of refrigerant is lost to the atmosphere. R-12 gauge set hoses have a valve near the end of all three hoses. R-134a gauge sets have a combination quick disconnect and shutoff valve on the high and low sides. The utility (center) hose also requires a valve.

The initial purging is best accomplished when connected to recovery or recycle equipment. Figure 8-3 illustrates the gauge set connections for purging and refrigeration recovery.

Figure 8-3

The purging setup for manifold gauge set and compressor service valves are shown here.



Note: The manifold gauges read system pressure when the hand valves are closed if the hose end valves, and the stem type service valves (if included) are open.

2. Adding Refrigerant to the System

Now that the gauges are connected, you may need to add some refrigerant to the AC system before you can do an effective performance inspection. However, if leaks are obvious they should be repaired prior to adding refrigerant.

Note: Loss of some refrigerant is not unusual over an extended period of time. Adding refrigerant is a typical procedure when the AC system is maintained on a regular basis.

When adding refrigerant to the system, connect the center hose from the manifold gauge set to the refrigerant dispensing valve on the container. Figure 8-4 illustrates this connection.

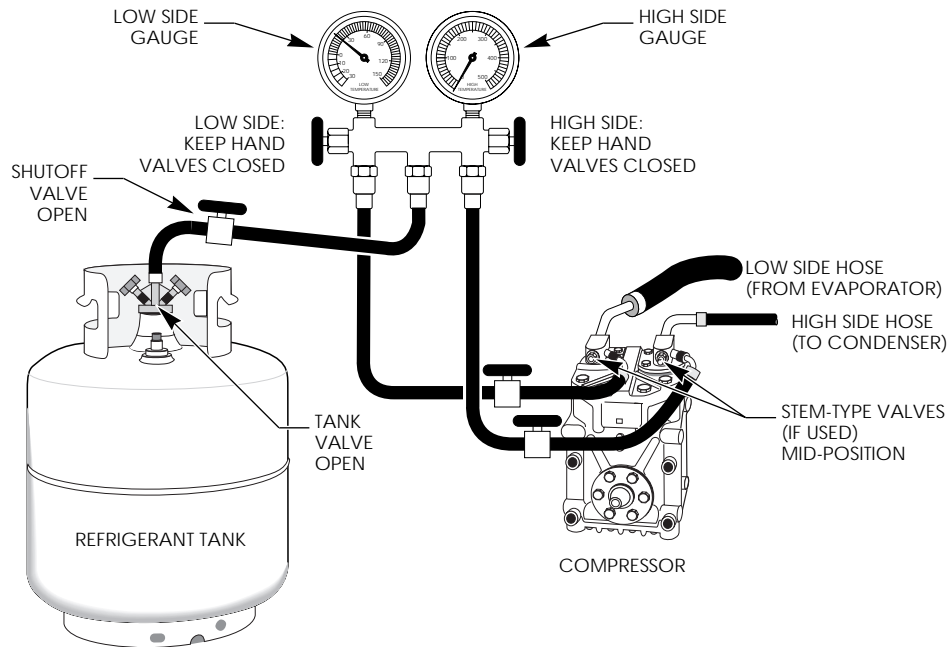


Figure 8-4

In this illustration we have noted how refrigerant is added to the air conditioner.

Before adding refrigerant to the system you should study the sight glass while the engine is running and the air conditioner is on. Even if you found a leak during the system inspection and corrected it, you have no way of knowing how much refrigerant has leaked. You will not be able to tell how much refrigerant is in there, but you can see if bubbles are present.

Then check the gauges for unusually high or low readings, or a lack of pressure. Following this procedure, and using your knowledge and experience, decide if it is safe and makes sense to add refrigerant in order to make your full performance inspection.

You are now ready to add refrigerant to the system. For your safety and to prevent system damage use the following procedure.

1. Turn on the engine and set the idle at 1200 to 1500 RPM and then turn on the air conditioner.

CAUTION

Do not open the high pressure hand valve on the manifold gauge set. The compressor could pump refrigerant into the container and cause it to BURST. Be sure to keep the refrigerant container upright to prevent liquid refrigerant from entering the compressor.

2. Open the refrigerant dispensing valve on the container and then the low pressure hand valve on the manifold. This allows refrigerant to enter the system as a gas on the low pressure or suction side of the compressor. The compressor will pull refrigerant into the system.

3. Add refrigerant until the gauges read in the normal range and the sight glass appears clear. The sight glass may not be clear for a moment just before or after the clutch cycles on and off but should generally be clear. Gauge readings will fluctuate as the compressor cycles on and off.

Note: Pressures within the air conditioning system vary with ambient temperature. A normal pressure range is defined as follows:

Low side 15–30 PSIG

High side 150–280 PSIG

If R-134a is used in place of R-12 the high side readings will be about 20 PSI higher. For this reason many OEMs are recommending an increase in condenser capacity when retrofitting to the new refrigerant, R-134a.

CAUTION

If the gauges show any abnormally high or low pressures as you are adding refrigerant, stop and investigate for probable cause. Never add more than one pound of refrigerant. If the system is low enough on refrigerant to require more than that amount you should stop and check again for leaks. Then recover all of the refrigerant, repair, evacuate and recharge the air conditioner. (See *Chapter 9*). You may want to add dry nitrogen gas to the AC system instead of R-12 if pressures are below normal and a leak is suspected. Nitrogen gas is sold in cylinders under high pressure, 1800 to 2000 PSI. Be sure the cylinder has a pressure regulating valve to control the pressure when dispensing nitrogen gas. Dispose the gas at no more than 200-250 psi, as this is sufficient pressure to cause or indicate a leak point. See note under *Troubleshooting by Manifold Gauge Set Readings* in this chapter.

4. When the gauges show normal, close the hand valve on the manifold, the hose end shutoff valve, and the valve on the refrigerant container. You can now proceed with the performance inspection.

3. Stabilizing The AC System

For reliable gauge readings as an aid in troubleshooting, the AC system must be stabilized.

CAUTION

Be sure your tools and test equipment are clear of all moving parts of the engine and air conditioner.

Start the engine and set to a fast idle of 1200 to 1500 RPM. Turn on the air conditioner. After a quick in-cab performance test of control function, blower speeds and air flow, set the AC system controls to maximum cooling and blower speed on high. All windows must be closed. If cab temperature is hot (rig has been sitting in the sun with the windows closed), open the windows for a minute or so to let the hot air out. Run the engine and air conditioner about five minutes for the system to stabilize. In hot humid weather or where the AC condenser can't receive adequate air flow from the engine fan you may have to use a floor mounted fan to force sufficient air flow through condenser fins. This helps to stabilize the system by simulating ram air flow found under normal operating conditions.

When a vehicle has a tilt cab or hood and the condenser is part of the grill, you must use the floor fan to get air to the condenser. You could tilt the cab or hood back to normal position, carefully routing the manifold gauge set and hoses away from moving parts. Then place the gauges so you can read system pressure.

Troubleshooting by Manifold Gauge Set Readings

The series of figures that follow (Figures 8-6 through 8-15) show gauges with typical readings indicating AC system problems. Each figure is followed by troubleshooting tips, probable causes for the gauge readings shown, and appropriate service and repair procedures.

Low Refrigerant Charge in the System

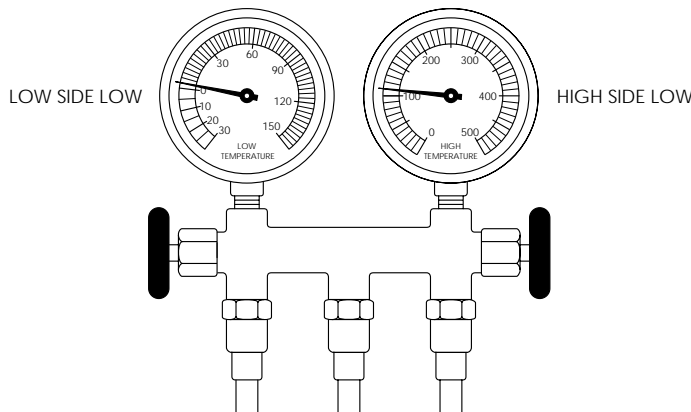


Figure 8-5

Gauge reading, low refrigerant charge in the system.

Tip: You see bubbles in the sight glass. The air from vents in the cab is only slightly cool.

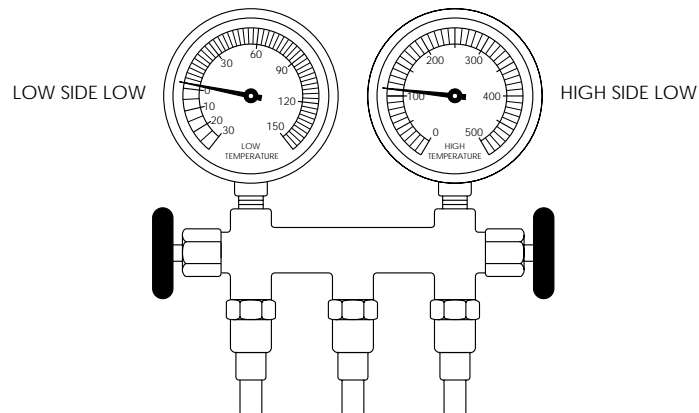
Cause: Insufficient refrigerant (charge) in the system.

Repair Procedure:

Check for leaks with your leak detector. If you find a leak at a connection, tighten it then add refrigerant as necessary. If a component or line is leaking (defective), recover all refrigerant from the system. Replace the defective part and then check the compressor oil level and replace missing oil. Evacuate and recharge with refrigerant, then check AC operation and performance.

Figure 8-6

Gauge reading, extremely low refrigerant charge in system.

Extremely Low Refrigerant Charge in the System**Tip:**

The sight glass is clear or shows oil streaks. The air from vents in the cab seems warm. If there is a low pressure or Trinary™ switch in the system it may have shut off the compressor (clutch).

Cause:

Extremely low or no refrigerant in the system. There is a leak in the system.

Repair Procedure:

Add refrigerant to the system, at least half of the normal full charge amount. Then perform your leak test. As an alternative to a refrigerant, add dry nitrogen gas to the system and then test for leaks.

Note:

It may be necessary to use a jumper wire to bypass some types of low pressure cutout switches to operate the compressor (clutch) when you add refrigerant to the system.

After finding a leak, recover all refrigerant from the system and repair the leak. Check the compressor and replace any refrigeration oil lost due to leakage. Evacuate and recharge the system with refrigerant, then check AC operation and performance.

Air and/or Moisture in the System

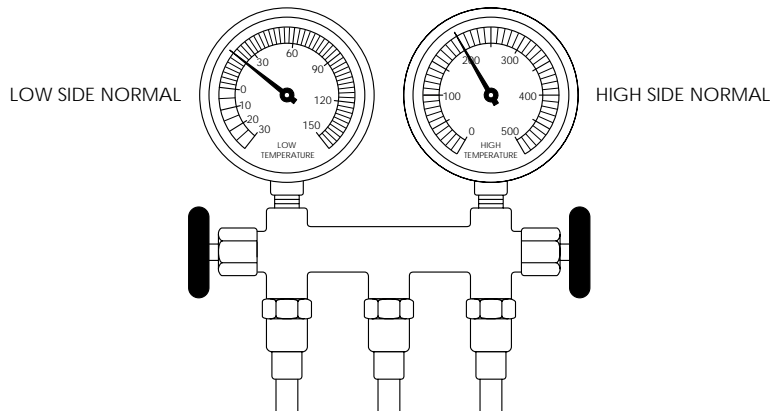


Figure 8-7

Gauge reading, air and/or moisture in the system.

Tip: The sight glass may be clear or show some bubbles. The air from vents in the cab is only slightly cool. In a cycling clutch type system with a thermostatic switch, the switch may not cycle the clutch on and off, so the low pressure gauge will not fluctuate.

Cause: Air and/or moisture in the system.

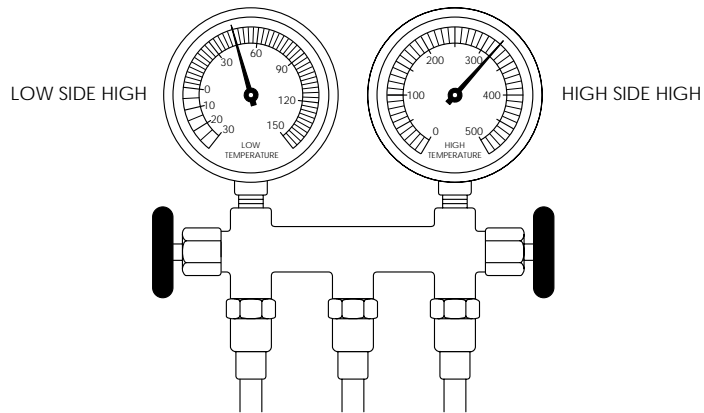
Repair Procedure:

Test for leaks, especially around the compressor shaft seal area. When the leak is found, recover refrigerant from the system and repair the leak. Replace the receiver-drier or accumulator because the desiccant may be saturated with moisture (there is no way to tell). Check the compressor and replace any refrigeration oil lost due to leakage. Evacuate and recharge the system with refrigerant, then check AC operation and performance.

Figure 8-8

Gauge reading, excessive air and/or moisture in the system.

Excessive Air and/or Moisture in the System



Tip: There may be occasional bubbles in the sight glass. Air from vents in the cab is only slightly cool.

Cause: System contains excessive air and/or moisture.

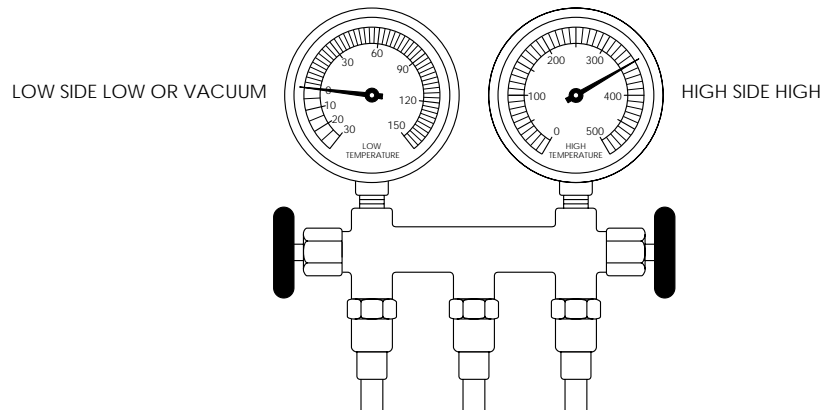
Repair Procedure:

Test for leaks, recover refrigerant from the system and repair the leak. Depending on the type of system, replace the receiver-drier or accumulator. The desiccant is saturated with moisture. Check and replace any compressor oil lost due to leakage. Evacuate and recharge the system, then check AC operation and performance.

Figure 8-9

Gauge reading, expansion valve (TXV) stuck closed.

Expansion Valve (TXV) Stuck Closed or Plugged



Tip: Air from vents in the cab is only slightly cool. The expansion valve body is frosted or sweating.

Cause: An expansion valve malfunction could mean the valve is stuck in the closed position, the filter screen is clogged (block type expansion valves do not have filter screens), moisture in the system has frozen at the expansion valve orifice, or the sensing bulb is not operating. In vehicles where the TXV and sensing bulb are accessible, perform the following test. If not accessible, then proceed to *Repair Procedure*.

- Test:**
1. Warm diaphragm and valve body in your hand or carefully with a heat gun. Activate system and watch to see if the low pressure gauge rises.
 2. Next, carefully spray a little nitrogen, or any substance below 32 degrees Fahrenheit, on the capillary coil (bulb) or valve diaphragm. The low side gauge needle should drop and read at a lower (suction) pressure on the gauge. This indicates the valve was part way open and that your action closed it. Repeat the test, but first warm the valve diaphragm or capillary with your hand. If the low side gauge drops again, the valve is not stuck.
 3. Clean the surfaces of the evaporator outlet and the capillary coil or bulb. Make sure the coil or bulb is securely clamped to the evaporator outlet tube and the insulation is in place. Next proceed with recovering refrigerant from the system.

Repair Procedure:

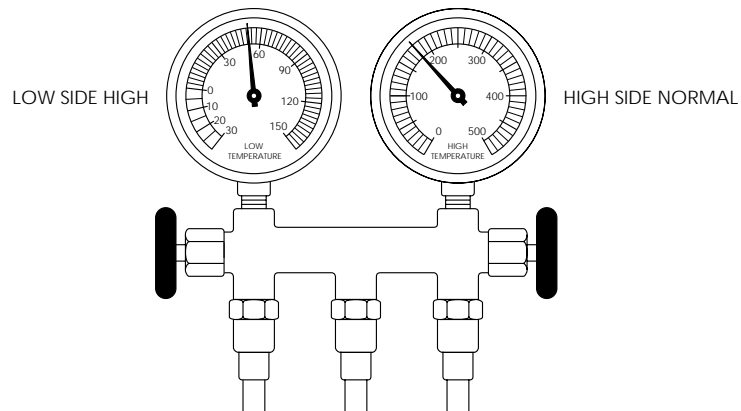
Inspect the expansion valve screen (except block type valves). To do this you must recover all refrigerant from the system. Disconnect the inlet hose fitting from the expansion valve. Remove, clean and replace the screen, then reconnect the hose. Any signs of contamination will **require** flushing the system. Next, replace the receiver-drier. Then evacuate and recharge the system with refrigerant, and check AC operation and performance.

Note: If the expansion valve tests did not cause the low pressure gauge needle to rise and drop, and if the other procedures described did not correct the problem, the expansion valve is defective. You must recover all refrigerant from the system again, and replace the expansion valve and receiver-drier. Evacuate and recharge the system with refrigerant, then check AC operation and performance.

Figure 8-10

Gauge reading, expansion valve (TXV) stuck open.

Expansion Valve (TXV) Stuck Open



Tip: Air from vents in the cab is warm or only slightly cool.

Cause: The expansion valve is stuck open and/or the capillary tube (bulb) is not making proper contact with the evaporator outlet tube. Liquid refrigerant may be flooding the evaporator making it impossible for the refrigerant to vaporize and absorb heat normally. In vehicles where the TXV and sensing bulb are accessible, check the capillary tube for proper mounting and contact with the evaporator outlet tube. Then perform the following test. If the TXV is not accessible, then proceed to *Repair Procedure*.

Test:

1. Operate the AC system on its coldest setting for a few minutes. Carefully spray a little nitrogen or other cold substance, on to the capillary tube coil (bulb) or head of the valve.
2. The low pressure (suction) side gauge needle should now drop on the gauge. This indicates the valve has closed and is not stuck open. Repeat the test, but first warm the valve diaphragm with your hand.

3. If the low side gauge shows a drop again, the valve is not stuck. Clean the surfaces of the evaporator outlet and the capillary coil or bulb. Make sure the coil or bulb is securely fastened to the evaporator outlet and covered with insulation material. Operate the system and check performance.

Repair Procedure:

If the test did not result in proper operation of the expansion valve, the valve is defective and must be replaced. Recover all refrigerant from the system and replace the expansion valve and the receiver-drier. Evacuate and recharge the system with refrigerant, then check AC operation and performance.

System High Pressure Side Restriction

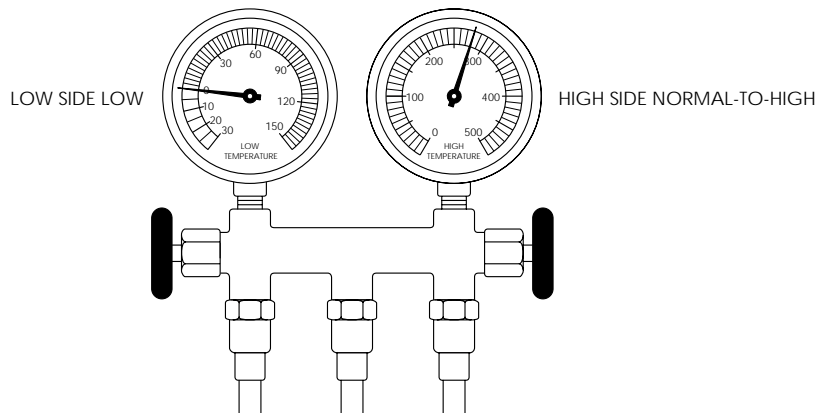


Figure 8-11

Gauge reading, system high pressure side restriction.

Tip: Air from vents in the cab is only slightly cool. Look for sweat or frost on high side hoses and tubing, and frost appearing right after the point of restriction. The hose or line may be cool to the touch near the restriction.

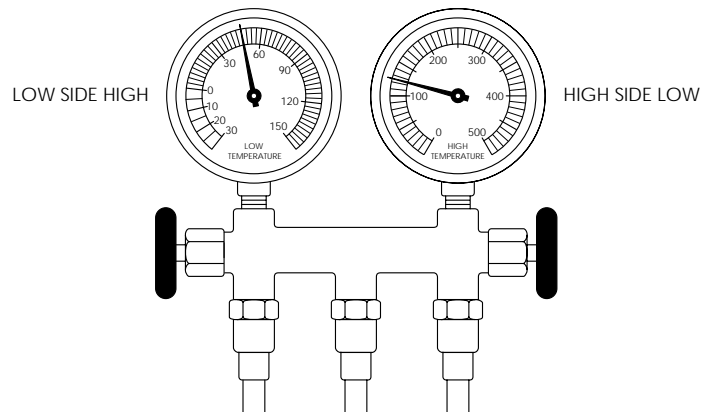
Cause: There could be a kink in a line, or other restriction in the high side of the system.

Repair Procedure:

After you locate the defective component containing the restriction, recover all of the refrigerant. Replace the defective component and the receiver-drier. Evacuate and recharge the system with refrigerant, then check AC operation and performance.

Figure 8-12

Gauge reading, compressor malfunction.

Compressor Malfunction

Tip: The compressor may be noisy when it operates.

Cause: Defective reed valves or other compressor components. If the compressor is not noisy, there may be a worn or loose compressor clutch drive belt.

Repair Procedure:

If you find the belt worn or loose, replace or tighten it and recheck system performance and gauge readings. To inspect and service the compressor, you must isolate (front seat the stem type compressor service valves) and recover refrigerant, or fully recover R-12 from systems containing Schrader valves. Remove the compressor cylinder head and check the appearance of the reed valve plate assembly. If defective, replace the valve plate and install with new gaskets, or replace the compressor assembly.

If you find particles of desiccant in the compressor, remove and replace it and the receiver-drier. Before doing so, back flush other system components (except the expansion valve) using a flushing kit. If there are stem type valves and you isolate the compressor, the rest of the system must be purged of refrigerant before you can disconnect and flush system components (*Chapter 9* describes the flushing procedure). After flushing, reassemble the components. Always check the oil level in the compressor, even if you install a new or rebuilt unit. Tighten all connections and evacuate the system. Recharge the air conditioner with refrigerant and check system operation and performance.

Note: Rotary compressors have a limited oil reservoir. Extra oil must be added for all truck installations

Condenser Malfunction or System Overcharge

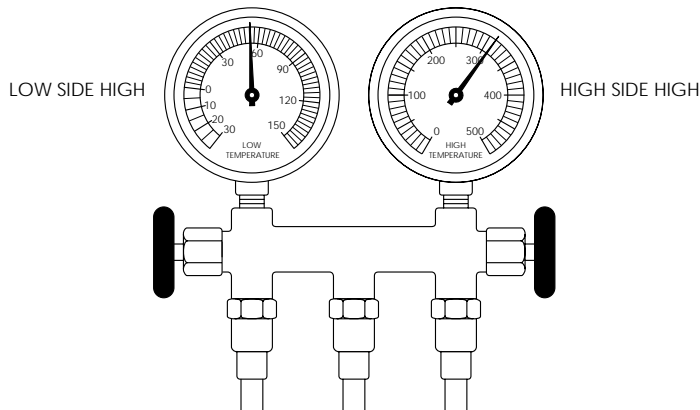


Figure 8-13

Gauge reading, condenser malfunction or system overcharge.

Tip: The air from vents in the cab may be warm. In R-12 systems there can be bubbles in the sight glass. The high pressure hoses and lines will be very hot. Don't forget to check the engine cooling system components—fan and drive belt, fan clutch operation, and the radiator shutter.

Cause: The condenser is not functioning correctly or there may be an overcharge of refrigerant inside the system. Another possibility is lack of (ram) air flow through the condenser fins during testing. Engine cooling system component malfunction can cause high pressure by blocking air flow (radiator shutter) or not providing air flow (fan clutch) in sufficient quantity.

Repair Procedure:

Inspect the condenser for dirt, bugs or other debris and clean if necessary. Be sure the condenser is securely mounted and there is adequate clearance (about 1-1/2 inches) between it and the radiator. Check the radiator pressure cap and cooling system, including the fan, fan clutch, drive belts and radiator shutter assembly. Replace any defective parts and then recheck AC system operation, gauge readings and performance.

If the problem continues, the system may be over-charged (have too much refrigerant inside). Recover the system slowly until low and high pressure gauges read below normal, and bubbles appear in the sight glass. Then add refrigerant (charge the system) until pressures are normal and the bubbles disappear. Add another quarter to half pound of refrigerant and recheck AC system operation, gauge readings and performance.

If the high gauge readings do not change, you should recover all of the refrigerant and flush (it may be partially plugged) or replace the condenser. Also replace the receiver-drier or accumulator. Then connect the components and evacuate the system. Recharge the air conditioner with refrigerant and check system operation and performance.

Thermostatic Switch Malfunction

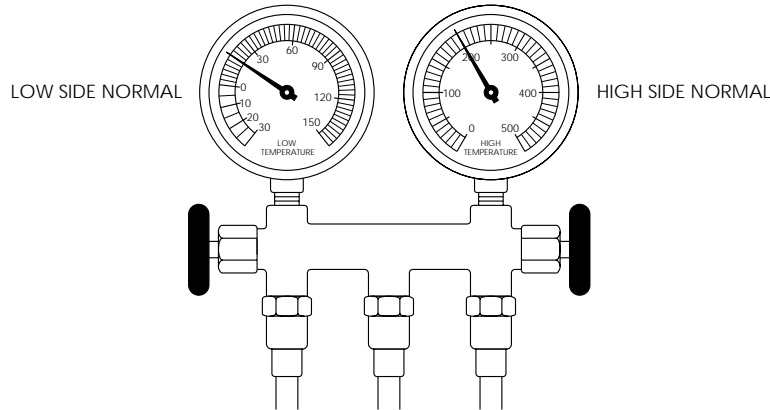


Figure 8-14

Gauge reading, thermostatic switch malfunction.

Tip: The low side gauge needle may fluctuate in a very narrow range compared to a normal range. The compressor clutch may be cycling on and off more frequently than it should.

The low side gauge needle may fluctuate in an above normal range as the clutch cycles. This may be an indication that the thermostat is set too high (someone may have attempted to adjust the factory setting). A new thermostat may have been installed incorrectly (capillary tube not inserted between the evaporator fins in the proper position).

Cause: The thermostatic switch is not functioning properly or at all.

Repair Procedure:

Replace the thermostatic switch. When you remove the old thermostat, replace it with one of the same type. (They operate in a factory preset temperature range.) Take care in removing and handling the thermostat and thin capillary tube attached to it. Don't kink or break the tube.

Position the new thermostat capillary tube at or close to the same location and seating depth between the evaporator coil fins as the old one. Connect the electrical leads.

Note: See the *Thermostat* section in *Chapter 10*. Fan clutch, radiator shutter, condenser, compressor, and the newer air and water valve control systems are covered in *Chapter 10*.

Review of Frequent Problem Areas

In HVAC systems a limited number of things can go wrong. Moving parts of the compressor, clutch, and expansion valve or refrigerant metering device can malfunction or break down from metal fatigue, contamination, abnormal pressure or lack of lubrication. Electrical connections may corrode, become disconnected or break. Fuses blow from shorts or overload. Belts slip or break.

Vibration from the engine or road surface can work bolts and air or vacuum lines loose, or rub and break or wear parts out. Motors may burn out. The inside of the system can become contaminated from moisture, air or desiccant material breakdown. Refrigerant may leak out of the system quickly or very slowly. Moisture in the system can combine with refrigerant to form acid and attack (corrode) metal parts from the inside. Moisture and refrigeration oil can combine to form sludge that may block refrigerant flow.

The following problems are discussed in more detail in this section:

1. Belts and Compressor Clutch
2. Condenser
3. Refrigerant Lines, Hoses, and Fittings
4. Refrigerant Metering Valves
5. Other Problems

1. Belts and Compressor Clutch

Let's review problem areas listed at the beginning of *Chapter 7*. The most frequent repairs are replacing belts and servicing or replacing the compressor or clutch. Heavy duty vehicle operation puts a lot of stress on these parts. There are several main reasons.

There is often continuous operation for long periods of time. There may be frequent sudden RPM variations when shifting gears up or down. For this reason the AC clutches used in heavy duty systems usually have double row ball bearings. Vibration and road shock contribute to loose or broken mounting brackets, electrical connections and fittings. Belts, bearings and compressor reed valves wear out.

Various compressor clutch cutout switches are used because the AC designers know about compressor operating conditions. System leaks, high operating pressures, malfunctioning engine cooling system components—all cause compressor problems and failures. When refrigerant and refrigeration oil leaks out of a system or there is contamination blocking oil flow, the compressor will be starved for oil and seize.

2. Condenser

Condensers get dirty and the dirt reduces heat movement by insulating the condenser. The fittings come loose or break from stress if the condenser or connecting hoses are not secured properly to keep the effects of vibration at a minimum.

Heat transfer efficiency and pressure in the condenser are affected by the amount of outside air flowing through condenser fins. A lack of air flow can mean the refrigerant doesn't give up enough heat energy to the outside air (it doesn't change state). The refrigerant arrives at the evaporator as a gas and can't pick up any heat energy from cab air. In the cab, air from the vents is only slightly cool or warm.

One possible cause of condenser malfunction could be the engine cooling system. This is why fan clutches and radiator shutters are often controlled or overridden by AC switch function. In fact, we can add fan clutch, radiator shutters and also fan motors to condenser problems. If they don't function to allow sufficient air through the condenser, pressure inside the system may become dangerously high. A lack of air through the condenser fins can raise high side pressure and blow out the weakest point in a system, or damage the compressor.

3. Refrigerant Lines, Hoses and Fittings

Problems with these parts may be caused by normal deterioration, vibration damage, lack of maintenance or human error (improper installation or replacement). All rubber parts are attacked by ozone (oxygen) in the air. Rubber parts break down slowly and become more vulnerable to the effects of vibration with the passage of time.

Heavy duty vehicle vibration causes stress on all lines, fittings and connections. Regular maintenance includes checking and tightening any suspect line, or hose retainers, or grommet position where the grommet is protecting a line or hose from abrasion. Any insulating material wrapped around hoses must be in place and securely fastened.

4. Refrigerant Metering Valves

When you consider valve problems there are obvious differences in valve construction and what can go wrong. If a valve is clogged with sludge or other obstruction, the result is a valve problem but the cause is contamination in the system. Valves get stuck open or closed, although most often closed when the gas charge is lost from the diaphragm housing in a traditional TXV. The capillary tube can vibrate loose from the evaporator outlet tube. The capillary can break and the small quantity of temperature sensitive gas can escape. The diagnosis of a valve as defective calls for replacement.

5. Other Problems—Leaks, Moisture, and Adding

Refrigerant

Before any refrigerant was put inside the AC system, someone used a vacuum pump to evacuate any air and moisture. Vacuum is really a force pulling against all hoses, fittings and components from the inside. When the system is charged with refrigerant, the pressure goes from minus (a

vacuum) to plus pressure inside the hoses and all components. The refrigerant and refrigeration oil are trying to escape from the system at all times.

Technicians frequently add refrigerant to a system, replacing refrigerant seepage through system connections or fittings. If the system has been maintained regularly (every three to six months), adding a small amount of refrigerant may result in normal system function. However, the best procedure is to check all connections and look for, find and repair any leaks before adding refrigerant.

When your leak detector indicates the presence of a leak, you can't tell how long the system has been leaking. Finding one leak doesn't mean there are not others. Until you have some AC system work experience, it will be hard to guess how much refrigerant may have leaked. If you have to top a system off with a half pound of refrigerant or more, adding refrigerant is not the answer.

Find the leak. Recover all of the refrigerant and repair the system. The moisture absorbing capacity of any desiccant material is limited and cannot be measured. For that reason, replace the receiver-drier or accumulator. Then evacuate the system for an hour and recharge with refrigerant.

When a compressor shaft seal has leaked oil and the refrigerant charge is a little low, the shaft seal may have leaked because the air conditioner was not used. The seal can get a little out of round from the weight of the crankshaft and leak above the shaft. Running the compressor may cause the seal to swell and close up the leak. The shaft rotation exerts force all around the seal and puts life back into it. To prevent this from happening, manufacturers recommend regular AC system operation a minimum of every couple of weeks even in cool weather.

Keep in mind that the compressor can cause a vacuum inside the system if there is a restriction in the system. That means it can suck air and moisture inside under some conditions. It will pull these contaminants in through the same space where refrigerant and refrigerant oil has leaked out.

Conclusion

What could the air conditioning problem and its cause have been at the beginning of this chapter? The operator was in a hurry, but you were able to start your troubleshooting with the answers he gave you. Problems your inspection may have turned up are a very low refrigerant charge, a contaminated system or defective compressor. Those are not quick fix jobs.

On the other hand, you might have found enough debris on the condenser fin surface to boost high side pressures to an abnormal level during the hottest part of the day. So the Trinary™ or high pressure switch would cut out from high pressure—but reset itself. You cleaned the condenser, added a half pound of refrigerant and AC system pressures and function returned to normal. Service and repair took a half hour. But there was no way to tell without using your knowledge and experience. By now you are pretty familiar with AC system problems, the reasons for some of them, troubleshooting and repair. In *Chapter 9* we will describe complete system purging, evacuation, flushing and recharging.

Chapter 9 Refrigerants

Click on any of these subject headings to go directly to the page

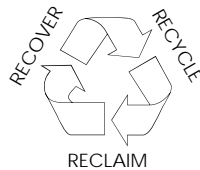
- Description and Properties of Refrigerants
- Changes in Service Procedures
- Recovering and Recycling the Refrigerant
- Flushing the AC System
- Evacuating and Charging the AC System
- Reclaiming a Refrigerant
- Chapter Review

Description and Properties of Refrigerants

Refrigerants are contained in the closed system of an air conditioner and circulate under pressure, moving heat energy from the cab to the outside air. Different refrigerants require different operating pressures, causing the refrigerant to undergo a “change of state” (refer to *Chapter 1 — HVAC Function*).

Changes in Service Procedures

Since the beginning of 1992, the EPA has required that any refrigerant removed from an AC system be recovered and recycled before reuse. Unlike the purging process which releases ozone depleting refrigerant into the atmosphere, the recovery processes allow us to use the same refrigerant over and over.



A major difference between purge and recovery/recycle procedures is the refrigerant is contained in an externally sealed container when undergoing recovery/recycle procedures in order to ensure environmentally safe processing.

In order to reuse a refrigerant in an AC system, the following steps are required:

1. Prepare the station for the recovery process
2. Recover refrigerant from the AC system
3. Recycle the recovered refrigerant
4. Perform the maintenance or repair the system
5. Flush the AC system when necessary
6. Evacuate the AC system
7. Charge the AC system with recycled refrigerant

Recycling the refrigerant involves the following processes:

- **Recovery** — You recover a refrigerant when you remove it from an AC system (in order to repair or replace a component) and then store, transport, recycle, or reclaim it. This is a closed loop process. The recovered refrigerant may vary in quality. Refer to the *Recovering and Recycling the Refrigerant* section for a complete description of the recovery process.
- **Recycle** — You recycle a refrigerant when you remove contaminants such as moisture, acidity, and particulate matter. Many refrigerants are reusable at this stage. Refer to the *Recovering and Recycling the Refrigerant* section for a complete description of the recycle process.
- **Reclaim** — You reclaim a refrigerant when you send it to an outside facility which can restore it to a new product specification. This reprocessing usually includes both a chemical analysis and distillation of the recycled refrigerant. Refer to the *Reclaiming the Refrigerant* section for a complete description of the recycle process.

Recharging an AC system requires the following procedures:

- **Flush** — You flush certain AC system components and hoses to remove contaminants within them. Flushing prepares the AC system for the new refrigerant. Refer to *Flushing the AC System* section below.
- **Evacuate** — You evacuate the AC system to remove moisture and air. Refer to the *Evacuating and Charging the AC System* section below.
- **Charge** — You charge the AC system by adding new refrigerant to the system.

Recovering and Recycling the Refrigerant

Recovery/Recycle Station

When troubleshooting indicates that a component in a closed AC system be replaced or removed for service, refrigerant must be removed from the system. A handy, dual purpose station performs both recovery and recycle procedures allowing us to follow the new guidelines for handling used refrigerant. The recovered refrigerant can then be recycled to reduce contaminants, and reused.

Equipment is also available to just remove or extract the refrigerant. Extraction equipment does not clean the refrigerant. It is used to recover the refrigerant from an AC system prior to servicing.

To accomplish this, the recovery/recycle station separates the oil from the refrigerant and filters the refrigerant multiple times to reduce moisture, acidity, and particulate matter found in a used refrigerant.

CAUTION

Mixing refrigerant types damages equipment. Dedicate one recovery/recycle station to each type of refrigerant processing to avoid equipment damage.

Figure 9-1 shows a recovery/recycle machine. Recycle equipment must meet certain standards as published by the Society of Automotive Engineers and carry a UL approved label. The basic principals of operation remain the same for all machines, even if the details of operation differ somewhat.

Figure 9-1
Recycle station.



A full system recovery is not necessary when you service or replace a compressor with stem type service valves. These valves may be front seated to isolate the rest of the AC system from the compressor. The refrigerant stays in the system and only the refrigerant in the compressor is recovered, recycled and replaced.

Note: Keep the collection cylinder in an upright position for the duration of the recovery/recycle cycle to ensure no liquid is drawn back into the system.

Draining the Oil from the Previous Recovery Cycle

In preparation for recovery, do the following:

1. Place the power switch and the controller on the recovery unit in the OFF position.
2. Plug in the recovery station to the correct power source.
3. Drain the recovered oil through valve marked OIL DRAIN on the front of the machine.
4. Place the controller knob in the ON position. The low pressure gauge will show a rise.
5. Immediately switch to the OFF position and allow the pressure to stabilize. If the pressure does not rise to between 5 psig and 10 psig, switch the controller ON and OFF again. With practice, this procedure should become easier.

6. When the pressure reaches 5 to 10 psig, open the OIL DRAIN valve, collect oil in an appropriate container, and dispose of container as indicated by local, state, or Federal Regulation. THE OIL IS NOT REUSABLE, DUE TO CONTAMINANTS ABSORBED DURING ITS PREVIOUS USE.

Performing the Recovery Cycle

You are now ready to recover. Follow these steps:

1. Be sure the equipment you are using is designated for the refrigerant you intend to recover.
2. Record the sight glass oil level. Having drained it, it should be zero.
3. Check the cylinder refrigerant level before beginning recovery to make sure you have enough capacity.
4. Confirm that all shut-off valves are closed before connecting to the AC system.
5. Attach the appropriate hoses to the system being recovered.
6. Start the recovery process by operating the equipment as per the manufacturer's instructions.
7. Continue extraction until a vacuum exists in the AC system.
8. If an abnormal amount of time elapses after the system reaches 0 psig and does not drop steadily into the vacuum range, close the manifold valves and check the system pressure. If it rises to 0 psig and stops, there is a major leak. Refer to *Chapter 8* for troubleshooting leak procedures.
9. Check the system pressure after the recovery equipment stops. After five minutes, system pressure should not rise above "0" gauge pressure. If the pressure continues to rise, restart and begin the recovery sequence again. This cycle should continue until the system is void of refrigerant.
10. Check the sight glass oil level to determine the amount of oil that needs to be replaced.
11. Mark the cylinder with a RECOVERED (red) magnetic label to reduce the chance of charging a system with contaminated refrigerant. Keep a record of the amount of refrigerant recovered, if you have the capability.

WARNING

Check the sight glass oil level to determine the amount lost during recovery. You must add this amount of oil back into the system.

Performing the Recycling Procedure

The recovered refrigerant contained in the cylinder must undergo the recycle procedure before it can be reused. The recycle or clean mode is a continuous loop design and cleans the refrigerant rapidly. Follow equipment manufacturer's instructions for this procedure.

Purging Non-Condensable Gases (Air)

During purging and refrigerant recovery air can be entrapped in the refrigerant container. Air must not be put into an AC system. The result is higher operating pressures and possible system damage.

A simple check can be performed as follows:

- 1.** Store the recovered refrigerant at constant temperatures above 65° F (18.7° C). The container should include a pressure gauge reading to 1 psi increments. The container should not be in direct sunlight or near a heat source.
- 2.** Use a calibrated thermometer to establish temperature within 4 inches of the container.
- 3.** Compare the pressures for like temperatures in Figure 9-2. Note the separate charts for R-12 and R-134a. If the container pressure is equal to or less than the pressure shown in the table, excess air is not present.
- 4.** If container pressure is greater than shown in the table, connect the container to recovery or recycle equipment with the pressure gauge in place.
- 5.** Bleed a small amount of vapor from the container until the pressure is below that shown on the table, then close the valve.
- 6.** Tank temperature may change during the bleed off process. Mild shaking will assist in temperature stabilizing, but it is a good idea to let it set for several hours before again checking pressure against the table.
- 7.** If the pressure remains above that shown on the table, excess air or another contaminant (i.e., another refrigerant) is still present. This material must be recycled or reclaimed.
- 8.** If the pressure is equal or below that shown on the table identify the cylinder as “recycled.”

R-12 Allowable Container Pressure

°F	Psig	°F	Psig	°F	Psig	°F	Psig	°F	Psig
65	74	75	87	85	102	95	118	105	136
66	75	76	88	86	103	96	120	106	138
67	76	77	90	87	105	97	122	107	140
68	78	78	92	88	107	98	124	108	142
69	79	79	94	89	108	99	125	109	144
70	80	80	96	90	110	100	127	110	146
71	82	81	98	91	111	101	129	111	148
72	83	82	99	92	113	102	130	112	150
73	84	83	100	93	115	103	132	113	152
74	86	84	101	94	116	104	134	114	154
°C	kPa	°C	kPa	°C	kPa	°C	kPa	°C	kPa
18.3	510	23.9	600	29.4	703	35.0	814	40.6	938
18.9	517	24.4	607	30.0	710	35.6	827	41.1	952
19.4	524	25.0	620	30.6	724	36.1	841	41.7	965
20.0	538	25.6	634	31.1	738	36.7	855	42.2	979
20.6	545	26.1	648	31.7	745	37.2	862	42.8	993
21.1	552	26.7	662	32.2	758	37.8	876	43.3	1007
21.7	565	27.2	676	32.8	765	38.3	889	43.9	1020
22.2	572	27.8	683	33.3	779	38.9	896	44.4	1034
22.8	579	28.3	690	33.9	793	39.4	910	45.0	1048
23.3	593	28.9	696	34.4	800	40.0	924	45.6	1062

Figure 9-2
The pressures in these English and metric charts refer to recycled R-12 and R-134a refrigerant, respectively.

R-134a Allowable Container Pressure

°F	Psig	°F	Psig	°F	Psig	°F	Psig	°F	Psig
65	69	76	85	87	103	98	125	109	149
66	70	77	86	88	105	99	127	110	151
67	71	78	88	89	107	100	129	111	153
68	73	79	90	90	109	101	131	112	156
69	74	80	91	91	111	102	133	113	158
70	76	81	93	92	113	103	135	114	160
71	77	82	95	93	115	104	137	115	163
72	79	83	96	94	117	105	139	116	165
73	80	84	98	95	118	106	142	117	168
74	82	85	100	96	120	107	144	118	171
75	83	86	102	97	122	108	146	119	173
°C	kPa	°C	kPa	°C	kPa	°C	kPa	°C	kPa
18	476	25	593	32	752	39	917	46	1124
19	483	26	621	33	765	40	945	47	1158
20	503	27	642	34	793	41	979	48	1179
21	524	28	655	35	814	42	1007	49	1214
22	545	29	676	36	841	43	1027		
23	552	30	703	37	876	44	1055		
24	572	31	724	38	889	45	1089		

Flushing the AC System

Flushing has long been recommended as a means of removing contaminants or other debris from certain system components. The normal flushing materials, such as R-11, are now prohibited.

Using compressed air is not a good method of flushing. Air should never be used in an R-134a system. Closed loop flushing kits are now available, although they may not remove all foreign material.

The primary use of a flushing kit is to remove contaminants from the AC system hoses, evaporator, and condenser. Any other component of an AC system should be bench checked or replaced, since flushing may be ineffective or may damage a component. Flushing is usually performed after the recovery process. We recommend it before you replace the compressor, or when you find contamination in other components (receiver-drier, expansion valve, or connections). Some recover/recycle machines have optional “flush kits.” The only proper way to flush system components is to use refrigerant in a closed-loop system.

Evacuating and Charging the AC System

Evacuate the system once the air conditioner components are repaired or replacement parts are secured, and the AC system is reassembled. Evacuation removes air and moisture from the system. Then, the AC system is ready for the charging process, which adds new refrigerant to the system.

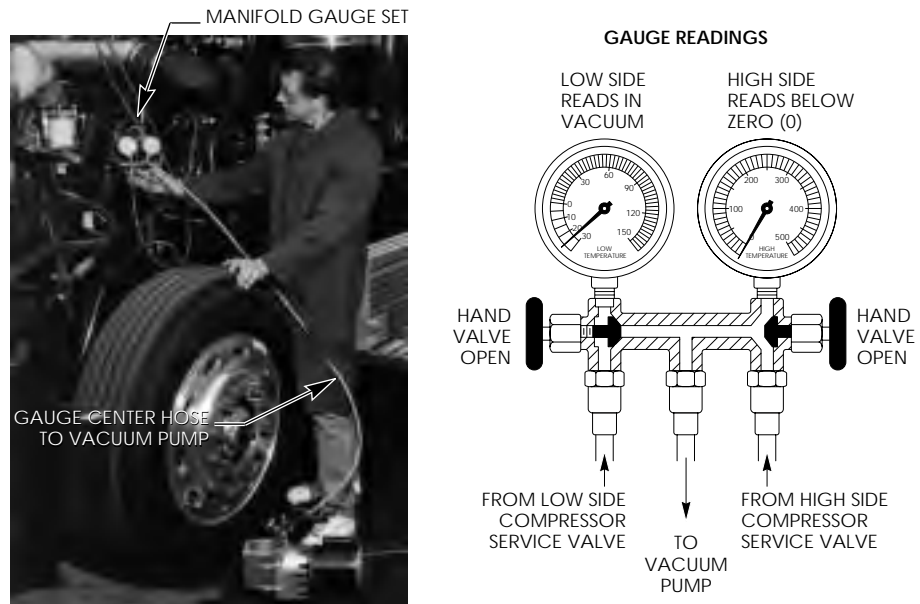
Evacuating the System

Follow this procedure:

1. Tighten all connections and attach a vacuum pump to the center hose of the gauge set.

Figure 9-3

This illustration shows evacuation of an AC system before recharging. It is very important to run the vacuum pump long enough to insure the removal of any moisture that may be in the system.



2. Start the vacuum pump and open both the hand valves on the manifold all the way. Run the pump for five minutes, then close the hand valves and shut off the pump.
3. Check the gauge readings for five minutes. If the gauge needles move up, the system is not sealed. There is a leak. Air and moisture are being sucked into the system by the vacuum.
4. Tighten any loose connections. Re-start the pump, and open the hand valves on the gauges again. Repeat the vacuum test.

5. Run the vacuum pump for at least an hour to remove the moisture from the system.

The moisture must turn to gas before the pump can pull it out. The moisture takes time to boil away, so that it can be drawn out of the system.

Your vacuum pump can draw most of the air out pretty quickly. But a deep vacuum requires more time; the deeper the vacuum the longer it takes to get there. To ensure the least possible amount of air and moisture in the system, buy a good quality vacuum pump, take care of it, and use it *for at least an hour*.



Figure 9-4
Vacuum pump.

WARNING

Lubricants removed during the recovery process must be replaced with new lubricants.

Charging the AC system

*Use a charging station whenever possible.

When adding a full charge of refrigerant, you can put it in as a gas or as a liquid. Adding refrigerant as a liquid is faster but can damage the compressor if not done correctly. The procedure you use, and where you add the refrigerant in the AC system makes a difference. When using refrigerant as a liquid, never add more than two thirds of system requirements as a liquid. Finish charging the system using gas. Always keep the refrigerant containers in an upright position so that no liquid is drawn into the system.

Refer to the *Charging with Refrigerant Gas* section below for the procedure for gas charging. Refer to the *Charging the System with Liquid Refrigerant* section for the procedure for liquid charging.

Charging with Refrigerant Gas (on the Low Side)

Perform this procedure to charge with refrigerant gas:

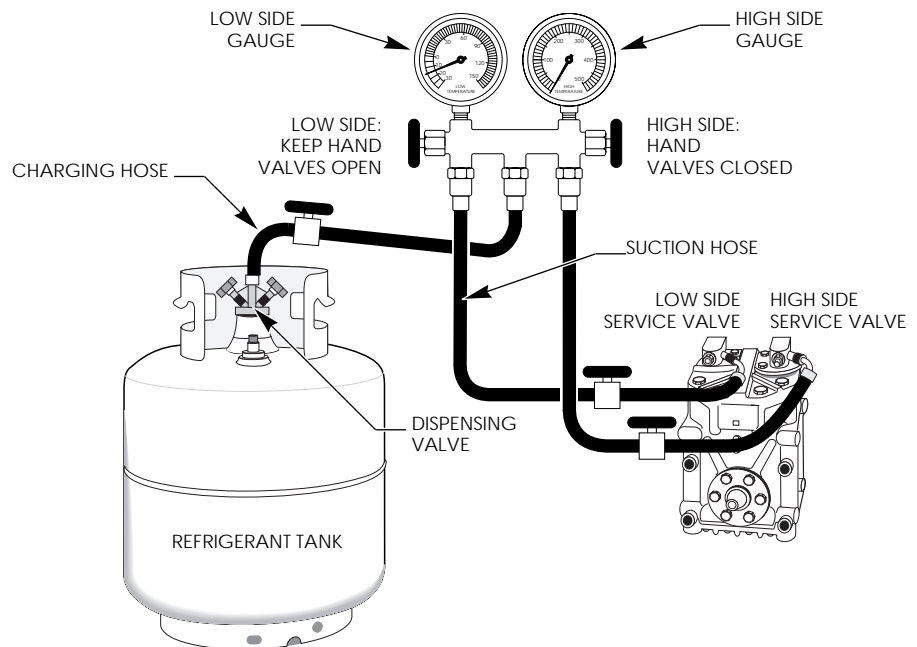
1. Use a charging meter or station to select the exact amount of refrigerant required. Never add more than the amount of refrigerant recommended by the manufacturer (in pounds and ounces). To measure, use a container and scale, or charging station.

2. Connect the center service hose from the gauge set to the refrigerant container dispensing valve. Purge the hose of any air using refrigerant gas pressure from the container.
3. Run the engine at 1200 to 1500 RPM, with the AC unit on maximum cool.
4. Open the dispensing valve, then the low side hand valve on the manifold. Figure 9-5 illustrates system charging with refrigerant gas entering the compressor on the suction (low pressure) side of the system.

Note: If there are no manufacturer's charging specifications, you can watch the sight glass first for bubbles, then clearing.

Figure 9-5

In this illustration, refrigerant is added on the low side of the system as a gas. The engine must be running at 1200 to 1500 RPM to draw the gas in.



5. Check the sight glass when you have added nearly the specified amount of refrigerant. Keep adding refrigerant until the sight glass clears or you have added the specified refrigerant charge. Use an oil injector to replace oil drained from the system. Remember, a large leak may have resulted in nearly all the lubricant being lost.
6. Close the valve on the refrigerant container. Close the hand valve on the gauge set and check the gauge readings. The gauges should read in the normal range.
7. Turn off the engine and AC system. Check for leaks. If the system checks out OK, back seat the service valves. Remove the manifold gauge set hose fittings from the compressor. If Schrader valves are in use, be sure to remove the manifold hose fittings quickly and carefully, using a glove or shop towel to protect your hand. Replace the protective caps on the compressor service valves.

Charging the System with Liquid Refrigerant

This process is used as a time-saver, but requires much more care to avoid compressor damage.

1. Check the amount of refrigerant recovered, and add approximately two thirds of that amount, and no more than recommended by the manufacturer (in pounds and ounces).
2. Connect the center service hose from the gauge set to the refrigerant container dispensing valve.
3. Add refrigerant liquid through the compressor discharge service valve (high side of system). If an accumulator is used, add the liquid refrigerant (and gas during final charging) via a Schrader valve.
4. Open the refrigerant dispensing valves and hand valves on the hose and gauge set. Liquid refrigerant flows into the system.

Figure 9-6 illustrates how to connect the manifold gauge set when adding liquid at the compressor (or accumulator).

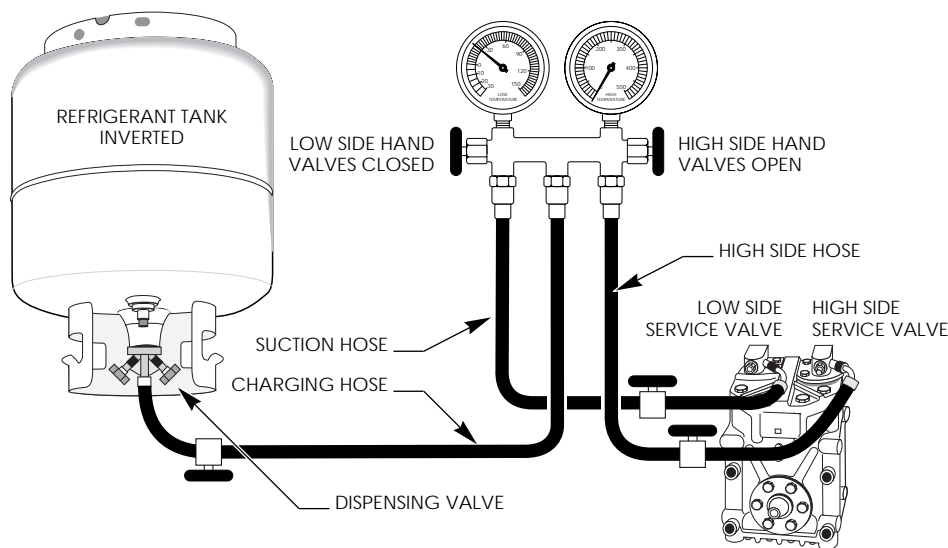


Figure 9-6

Adding refrigerant liquid to partially charge the AC system is illustrated and described.

5. When you have added two thirds of the recorded, actual recovered amount of refrigerant, shut off the refrigerant supply. If you added liquid refrigerant at the compressor high side service fitting, there may be liquid in the compressor. Attach a wrench to the nut holding the clutch the compressor shaft. Turn the compressor shaft a few times in the direction of normal rotation to clear any liquid from the compressor.
6. Finish charging the system with refrigerant gas by starting the engine and AC system. Follow the procedure for charging with gas as shown in Figure 9-5.

Reclaiming Refrigerant

Reclaiming refrigerant reprocesses the material to virgin purity. For sources of reclaimed refrigerant or to send refrigerant for reclamation, contact the EPA, the independent industry organizations, or your state's Department of Ecology.

Chapter Review

- Common refrigerants have varying properties and operating pressures.
- New laws require that we standardize our refrigerant processing methods throughout the industry. This includes the processes that handle refrigerant, including **recovering** and **recycling**, which are the most economic and environmentally friendly ways of handling the refrigerant.
- **Recovery/recycle** processes deal directly with the refrigerant. During **recovery** the refrigerant is removed from the AC system. During **recycling** it is restored to reusable condition by removing moisture, acidity, and particulate matter.
- The **flushing** procedure removes contaminants from the AC system hoses, evaporator, and condenser. The **evacuation** process removes air and moisture from the AC system. This is necessary before adding new or recycled refrigerant. The process of adding refrigerant is called **charging**.
- **Reclaiming** a refrigerant means processing the refrigerant so that it meets standards for new refrigerant.

Chapter 10 Component Repair or Replacement

Click on any of these subject headings to go directly to the page

- Tips on Component Repair or Replacement
- Servicing the Compressor
- HVAC Control System Variations—Troubleshooting
- Servicing and Repairing the Heater
- Summary

Tips on Replacing & Repairing AC Components

The following service and repair procedures are not any different than typical vehicle service work. However, AC system parts are made of soft metals (copper, aluminum, brass, etc.). The comments and tips that follow will make your job easier.

CAUTION

All of the service procedures described are only performed after the AC system refrigerant has been recovered. Never use regular shop oil or joint compound to lubricate or seal any AC connections.

Note: To help prevent air, moisture or debris from entering an open system, cap or plug open lines, fittings or components as soon as they are disconnected. Keep all connections (also the caps or plugs you might use) clean so no debris can accidentally get inside the system.

As a general rule in AC service, replace any gaskets and O-rings with new ones. Use fresh refrigeration oil to lubricate connections, gaskets and O-rings. The following parts are discussed further in this section:

1. Hoses and Fittings
2. Lines
3. Expansion Valves
4. Expansion Tubes
5. Receiver-Drier and Accumulator
6. Compressor & Clutch

1. Hoses and Fittings

When replacing hoses be sure to use the same type and ID hose you removed. When hoses or fittings are shielded or clamped to prevent vibration damage, be sure these are in position or secured. On R-134a systems make sure replacement hose has been designed for this refrigerant.

Machine crimped fittings are preferred over those fittings which use hose clamps. Properly crimped ferrules make stronger connections than hose clamps, and are recommended by the manufacturers of refrigerant hose. Use crimped fittings on hose brands such as Goodyear Galaxy. Steel fittings are preferred over aluminum in heavy duty applications. Use reusable fittings on the nylon-lined hose brands such as Aeroquip FC 202.

2. Lines

Always use two wrenches when disconnecting or connecting AC fittings attached to metal lines. You could be working with copper and aluminum tubing which can kink or break easily. Tube O-ring type fittings require only 18 foot pounds of torque for correct sealing. When there are grommets or clamps used to prevent line vibration, be sure these are in place and secured.

3. Expansion Valves

When removing the expansion valve from the system, remove the insulation, clean the area, and disconnect the line from the receiver-drier. Detach the capillary (bulb) and external equalizer tube (if present) from their mounting locations. Remove the expansion valve from the evaporator inlet. Expansion valve service is limited to cleaning or replacing the filter screen. If this is not the problem, replace the valve. If there is any debris in a block-type valve, replace it. Secure the capillary and equalizer, if used, and replace any insulating material.

4. Expansion Tubes

A clogged or defective expansion tube must be replaced. There are special tools available to remove and replace tubes at their location. If you don't have one, you may be able to use a pair of needle-nose pliers. Put a little refrigerant oil in the evaporator inlet to lubricate the expansion tube for easier removal. Discard the old tube. Lubricate the new tube and O-ring and insert until it seats against the dimples in the evaporator inlet.

5. Receiver-Drier & Accumulator

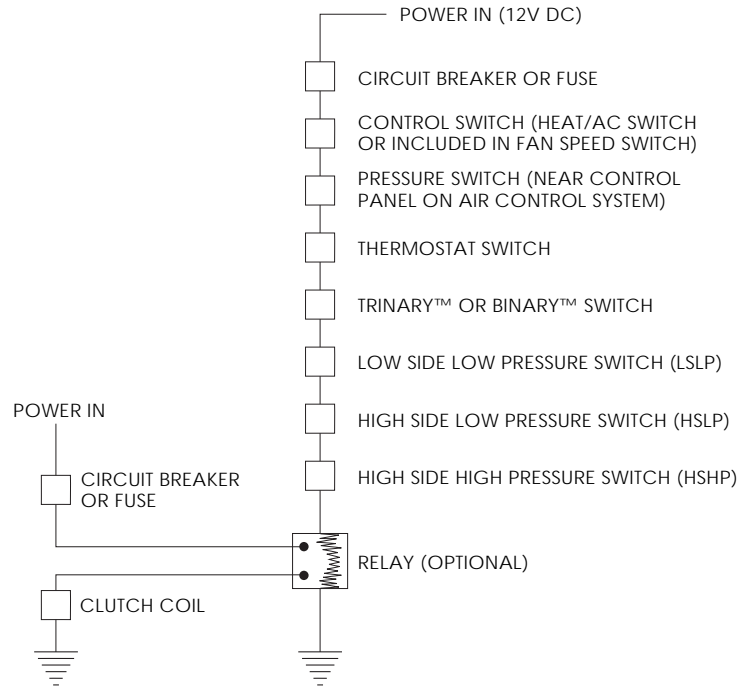
The receiver-drier and accumulator can not be serviced or repaired. They should be replaced whenever the AC system is opened for any service. If the receiver-drier or accumulator has a pressure switch to control the clutch, it should be removed and installed on the new unit.

6. Compressor & Clutch

Problems with the clutch assembly can be due to low voltage, electrical failure in the coil, the lead wire or a bad pulley bearing. Check first to see that electrical power is reaching the clutch. The lead wire and bearing can be replaced and the clutch assembly reinstalled. If the coil fails, it must be replaced. If the clutch shows obvious signs of excessive heat, replace the complete assembly. The compressor can fail due to shaft seal leaks, defective valve plates, bad bearings, or problems associated with high pressure, heat or lack of lubrication.

Figure 10-1

Wiring schematic for the clutch circuit. Two or more of these switches may be found in a clutch circuit.



Servicing the Compressor

Every AC system and compressor depends on refrigeration oil for lubrication and safe operation. Whenever an AC system is opened for service, check the compressor oil level and add clean refrigeration oil as required by manufacturer specs. This is especially important with a rotary compressor that has no oil sump.

WARNING

Different lubricants are used in R-12 and R-134a systems. They must not be mixed.

Compressor Repair

Vehicle down time or travel delay can be very costly to the heavy duty rig operator. For this reason, compressor service and repair is usually more costly than replacement with a new or rebuilt compressor. We have limited compressor and clutch service and repair coverage because each compressor make (and model) requires special tools and procedures for complete repair capability. Compressor manufacturers publish service manuals for their products.

HVAC Control System Variations—Troubleshooting

We described Binary™ and Trinary™ switches, air operated controls (Air Block) and CTC™ or Constant Temperature Control in *Chapter 5*. These control devices are often specified on heavy duty vehicle HVAC systems. Troubleshooting and servicing are explained here.

Troubleshooting for the following components is discussed below:

1. Binary™ and Trinary™ Switches
2. Air Operated Controls
3. CTC™ System

1. Binary™ and Trinary™ Switch—Troubleshooting

The high/low pressure function of the Binary™ and Trinary™ switches acts as a circuit breaker for the AC system. The switch interrupts current flow to the clutch when there is abnormal pressure in the system. A combination of components or wiring problems could cause the system to malfunction. In many cases, problems associated with these switches are the result of a malfunction elsewhere in the system.

Note: Terminal numbers are molded into the top of the Trinary™ switch. Terminals 1 and 2 control the compressor clutch and are identical to the two terminals on the Binary™ switch.

AC Compressor Clutch Circuit

In normal operation, the Binary™ and Trinary™ terminals, #1 and #2, should form a closed circuit. They supply power to the clutch if the AC system is properly charged with refrigerant, and the outside air temperature is above 40 degrees Fahrenheit.

AC Clutch Does Not Engage.

1. With the system on, check power at Trinary™ switch with voltmeter or trouble light:
 - a. One of the terminals, #1 or #2, should have power.
 - b. If there is no power, there is a problem with the AC unit or wiring.
2. Both terminals have power:
 - a. The problem is either the clutch or the wiring from the switch to the clutch.
3. Power to and from the Binary™ or Trinary™ check out OK:
 - a. Use the manifold gauge set to check out system pressures. (Outside temperature must be above 40° F).
 - b. If system pressure is below 40 PSIG, check for refrigerant leaks. If OK, add refrigerant to obtain correct pressure.
4. AC system pressure and power supply to switch check out OK:
 - a. Connect a temporary jumper wire between terminals #1 and #2.
 - b. The clutch should engage. Operate the AC system for five minutes at maximum cooling. Disconnect jumper wire and reconnect the switch leads. If the clutch will not engage, and pressure is over 50 PSIG, replace the switch.

CAUTION

Do not operate AC system with incorrect refrigerant charge or compressor damage may occur.

Compressor Cycles, but AC System Does Not Cool.

All electrical components in the clutch circuit appear to be functioning properly. Refer to *Chapter 8* for troubleshooting procedures.

Power to Trinary™ OK and Compressor Still Runs Continuously.

The high side cutout switch may not be functioning, so one of the problems described below is causing the abnormal pressures.

1. Check high side pressure. If it approaches 300 PSIG, a serious problem is indicated.
 - a. The AC system may be overcharged.
 - b. There may not be enough air flow through the condenser or it may be blocked by debris.
 - c. The condenser may be too small for operating conditions.
 - d. There may be a restriction inside the system (bent or kinked lines or hoses, sludge or moisture in system, etc.).
 - e. The thermostat may not be functioning.

Fan Clutch or Shutter Override Circuit.

Note: In normal operation, Trinary™ switch terminals #3 and #4 are normally open. (Normally closed Trinary™ switches are used with some air-clutching engine fans.) As the system pressure reaches mid-range (200-230 PSIG), the switch closes and supplies power to the fan clutch or shutter control circuits.

Fan Clutch or Shutter Cycles Too Often or Stays On Too Long:

1. Connect gauge set to AC system:
 - a. Watch high pressure side increase until mid-range pressure is reached.
 - b. If fan engages or shutter opens at the proper pressure, the Trinary™ is OK.
 - c. The problem is the condenser—check for debris or lack of air flow through the condenser fins. The condenser may be too small for conditions.
2. Fan or shutter cycles at less than 180 PSIG or remains on below 150 PSIG:
 - a. The Trinary™ is functioning below it's proper operating range and must be replaced.

Fan Clutch Will Not Activate.

1. Check power supply to terminals #3 and #4 with voltmeter or trouble light. System pressure must be above 230 PSIG (restrict air flow through the condenser if necessary to achieve this pressure). Check opposite terminals for switch function. If switch does not close and activate the fan clutch, replace the Trinary™.

Note: Some air-clutching engine-fan systems use normally closed Trinary™ switches (Bendix, Horton, etc.). When the operating pressure is reached, the fan circuit will open and the fan will come on.

2. Faulty solenoid (air-clutching fans) or wiring. If the Trinary™ switch functions in the above test, check wiring to solenoid valve, fan, or relay, and determine if the valve or relay is functioning properly.

Air Operated Controls

Air controls have become important in truck HVAC system operation. In discussing troubleshooting, we will cover the module air control system. The four major components of this system are illustrated in Figure 10-2 and described as follows:

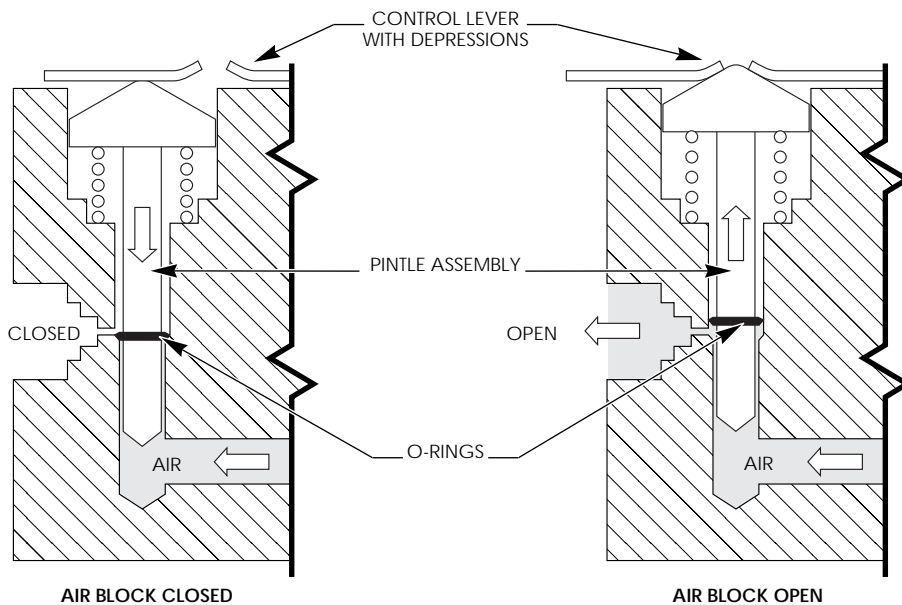


Figure 10-2
The AIR BLOCK is shown and described in this illustration.

Air Block—A molded plastic or machined metal block with air passageways; inlet, outlet and vent ports.

Pintle—A valve stem with head and O-ring seal

Control Lever—A sliding flat metal plate with formed depressions (or cavities) programmed to position the pintles for each mode of HVAC system operation.

Air Cylinder—A single or double action spring return device to position air directional control doors.

Air controls are assembled so the pintles are retained in the passageways of the air block by a mode selector lever. Air control functions (modes) are programmed by the depressions (or cavities) formed in the control lever. As the control lever is moved to an operator selected mode, the pintles slide in and out of the depressions. This action moves the pintles and their O-rings in the air passageways of the air block, allowing air to flow or vent from the air cylinders. Doors located in the AC unit or duct system will open or close as the air cylinders are activated, directing heated or cooled air to the desired outlets.

If the air control panel shows signs of internal leaking, it should be replaced using an air service kit. An air service kit includes the assembled block, pintles and control levers. Do not attempt to replace individual components of the air control panel.

Before replacing any air control system parts look for air leaks in the system.

Air Leaks in System.

Check for loose air fitting connections on the air block and air cylinders. Examine the air hose. NOTE: To remove hose from Legris air fittings, push on the metal ring or color coded button around the hose, and pull hose from fitting.

1. Check for leaks around fitting seals:
 - a. Hose must be cleanly cut at a 90° angle to seal in fitting.
 - b. Hose must be pushed all the way into the fitting (about 9/16").
 - c. Cleaning hose and applying a thin coat of light weight oil will help seal hose in fitting.
2. Inspect hose for cracks:
 - a. Check the air block assembly. If there is a leak around pintles, replace assembly. Do not try to disassemble and repair.
 - b. Check air cylinders for leaks.

Modes do not Function as Control Lever is Moved.

Check air supply to the control panel. Check for sticking doors (defrost, vent, etc.), and jammed air cylinders. Inspect air block assembly.

1. Cycle the control lever and listen for air escaping from exhaust port (vent). The air cylinders will not retract unless the air block vents properly. Replace block if it does not vent.
2. Disconnect air lines going to cylinders. Cycle control lever. Listen for air exiting the ports. If there is no air in at least one lever position, replace assembly.

Problem Activating AC Clutch Circuit.

Inspect the low pressure switch located on the air block. The switch is normally closed. It must have air pressure to disengage the clutch. If there is no power to the clutch proceed as follows.

1. Make sure there is power to the pressure switch—use a voltmeter or trouble light to check.
2. Make sure there is air to the controls.
3. If there is air and power available, place a jumper across the two terminals on the low pressure switch. If the clutch engages, there is a problem with the pressure switch or air block.
4. Remove the switch from the air block, move the lever to heat mode. If air exhausts from the port, replace the pressure switch. If no air is vented from the port, the air block is defective.
5. If the air block and pressure switch check out OK, inspect AC system clutch, thermostat, Trinary™ switch, or other pressure switches, and wiring.

CTC™ (Heater) and CTC™ II (Heater-A/C System)

The constant temperature control systems maintain a pre-selected cab temperature by pulsating the flow of hot engine coolant through the heater core. In the CTC II configuration the compressor is cycled to control temperature in the AC mode. The four major components of the system are illustrated in Figure 10-3 and described as follows:

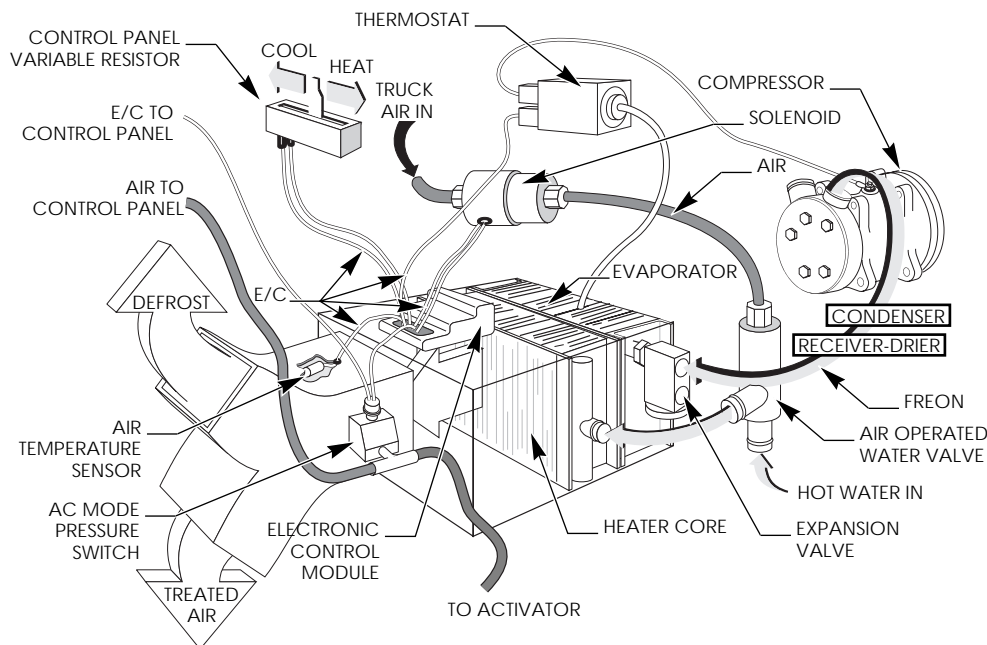


Figure 10-3
The CTC II system is shown in this drawing.

Circuit Board Assembly—The assembly is located on the heater/AC unit. It supplies power to resistor and solenoid, and monitors air output temperature.

Variable Resistor—Located on the control panel and used with temperature control lever to select desired temperature. It translates the desired temperature into a control voltage for the circuit board.

Solenoid Valve—Located on the HVAC unit or near the water valve. It receives power from the circuit board and controls the air supply to the water valve.

Air operated Water Valve—The preferred location is on the engine side of the firewall. Air pressure to the water valve is controlled by the opening and closing of the solenoid valve. When the solenoid valve is open, air pressure closes the water valve. The water valve is located on the inlet side of the heater core.

You will need Constant Temperature Control analyzers to troubleshoot the CTC™ systems. The vehicle must be operating at proper engine coolant temperature, air pressure and voltage output in order to troubleshoot the two possible failure modes.

Servicing and Repairing the Heater

Heater service and repair may be necessary because of lack of maintenance. The rubber parts: belts, heater and radiator hoses all fail in time. Engine coolant should be replaced every year and the whole system should be flushed when this is done. The thermostat and radiator pressure cap may fail from metal fatigue.

Heater valves (water and air), the core, or control devices may malfunction and require adjustment or replacement. In addition to your normal tool chest items, the cooling system test equipment required is described in *Chapter 6*.

Summary

By now you should have a pretty good idea about what is involved in HVAC function, service and repair. With a sound knowledge and understanding of fundamentals and typical problem areas, your experience on the job will quickly add to your ability and confidence. *Chapter 11* gives you a better understanding of where components may be located and how they go together. A series of photos and exploded view illustrations of the typical air conditioner, heater and combo systems are described. Before you study them, you might want to review the photos and drawings in earlier chapters.

Chapter 11

Typical HVAC Systems and Components

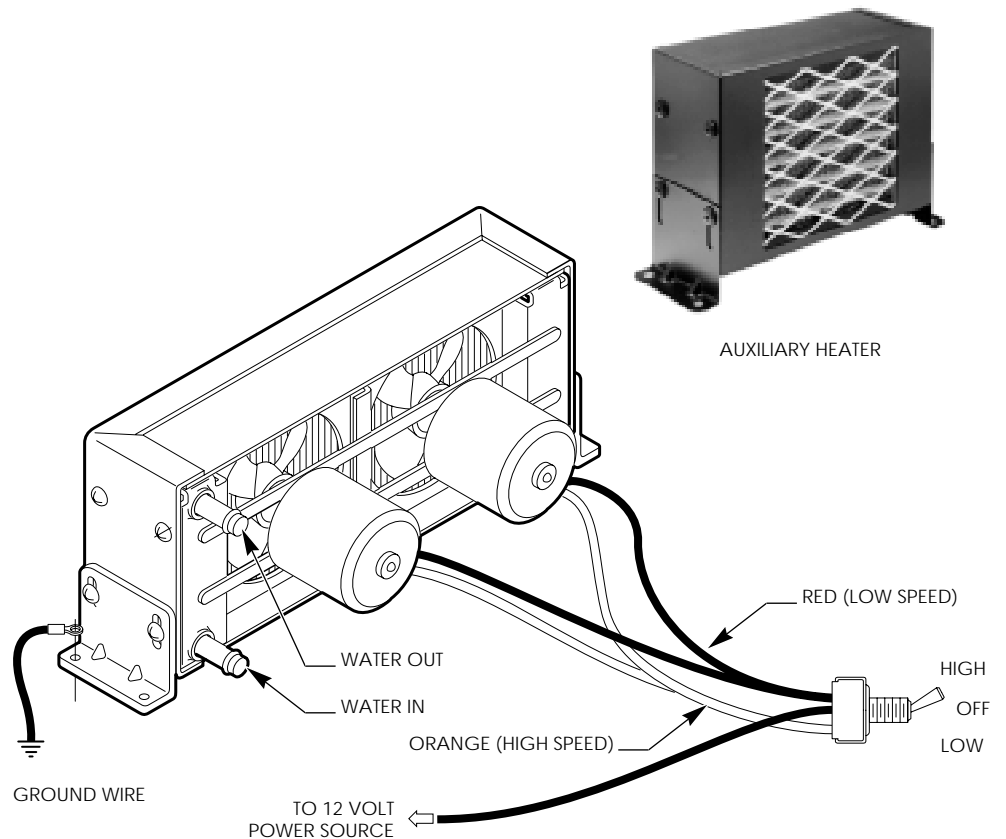
Click on any of these subject headings to go directly to the page

- Heaters
- AC Units
- Heater-AC Units
- Condensers
- Sleeper Units

Now it's time to add to your general knowledge about different systems. The series of photos and schematics that follow show typical heater, air conditioner, condenser and combo units. Figures 11-1 through 11-7 are also illustrated in corresponding exploded view drawings. You can see the basic parts and how they go together.

In most of the figures, the underhood components, plumbing, and wiring schematics that go with the units illustrated are not shown. Their actual position varies from one vehicle to another. Your basic mechanical knowledge is sufficient to locate and service any parts not shown.

Figure 11-1
An auxiliary, universal heater. It may be mounted in various ways.



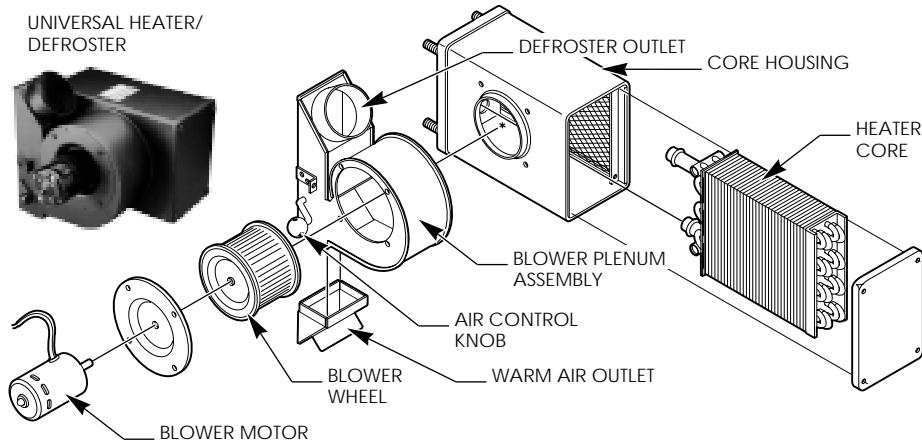


Figure 11-2
A universal heater defroster unit.

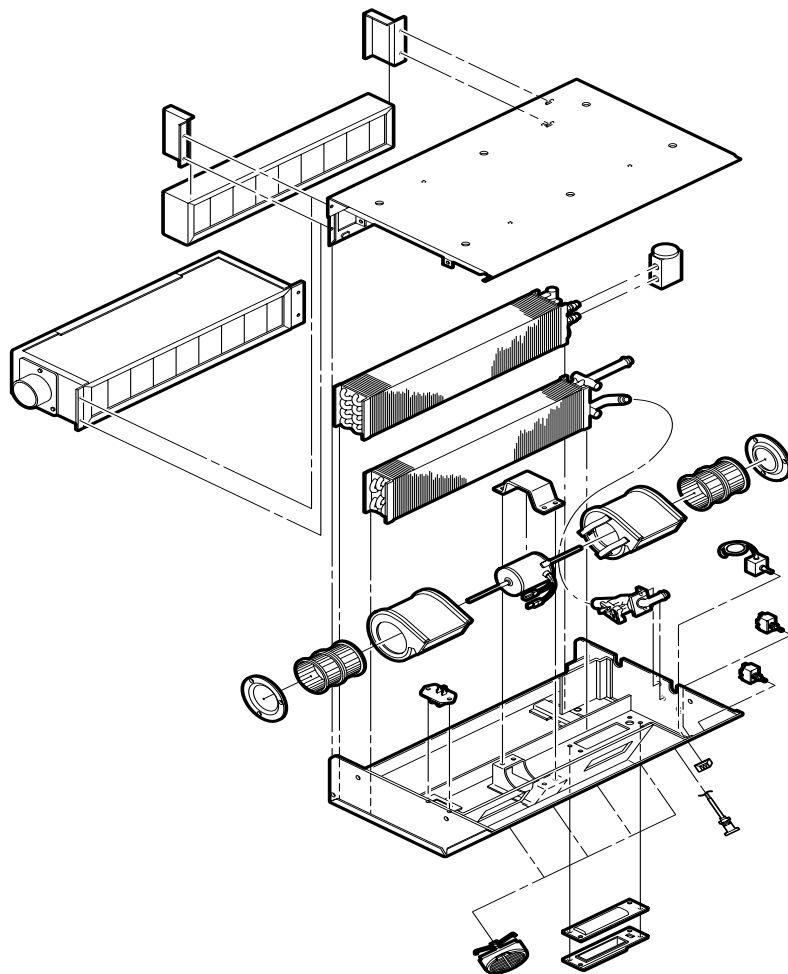


Figure 11-3
A universal in-cab roof mounted air conditioner. The compressor clutch and condenser would probably be mounted under the hood or cab (cab over). Refrigeration hoses would be long compared to in-dash mounted units. System controls are easily accessible for the driver. This system is usually found on off-road vehicles.



UNIVERSAL IN-CAB ROOF MOUNTED AIR CONDITIONER UNIT

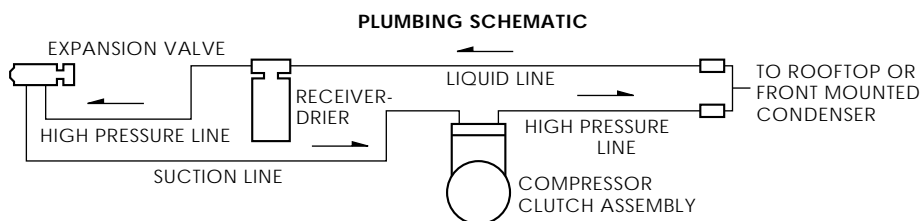


Figure 11-4

An HVAC combination unit designed to mount on the panel behind the operators seat. The vents direct air to both the cab and rear compartment. Note how the evaporator coil and heater core are stacked, one over the other. The valves and connections are easy to access for service.



HVAC COMBINATION UNIT

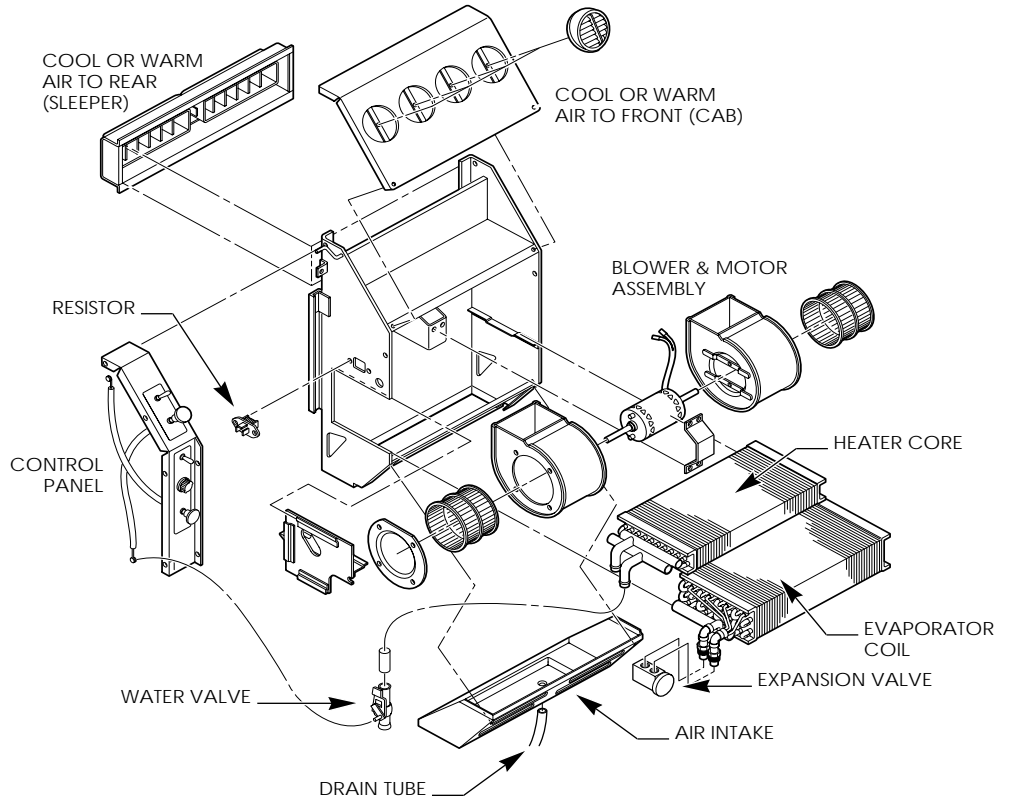
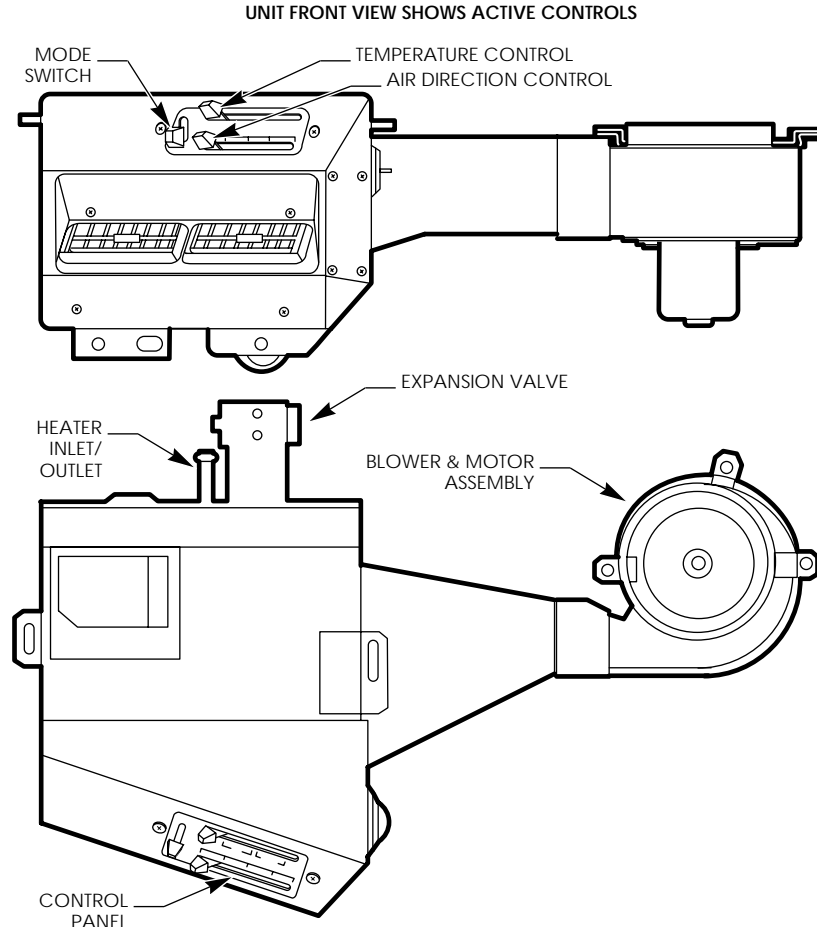


Figure 11-5

This combo HVAC unit is designed to mount under the dash and on a specific truck series. In this case it's for the MACK "R" series. Under-dash units blend into the overall appearance of the dash.



HVAC UNIT



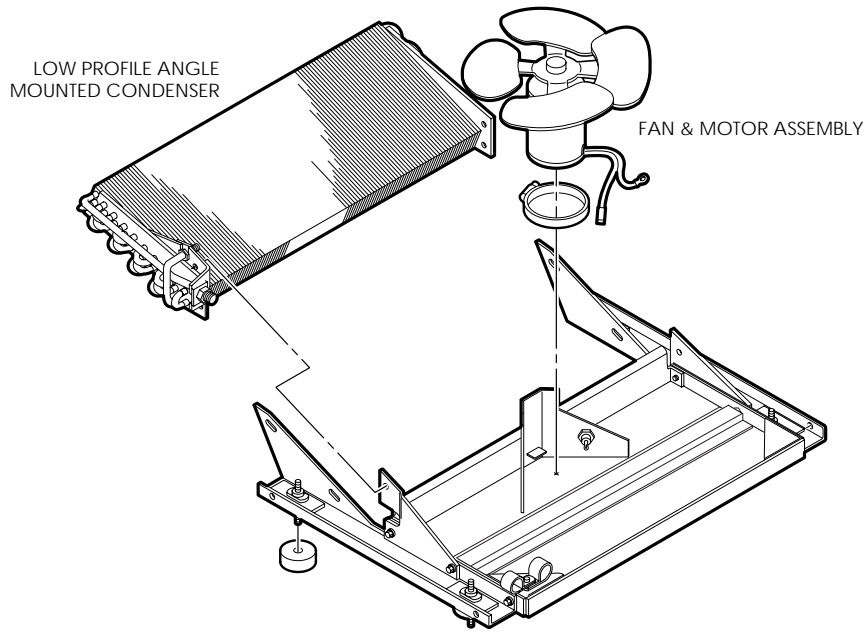


Figure 11-6

A basic low profile roof mount condenser. Hoses must be run to the compressor mounted on the engine, and to the evaporator in the cab.



LOW PROFILE ROOF MOUNT CONDENSER COVER ASSEMBLY WITH FAN GUARD

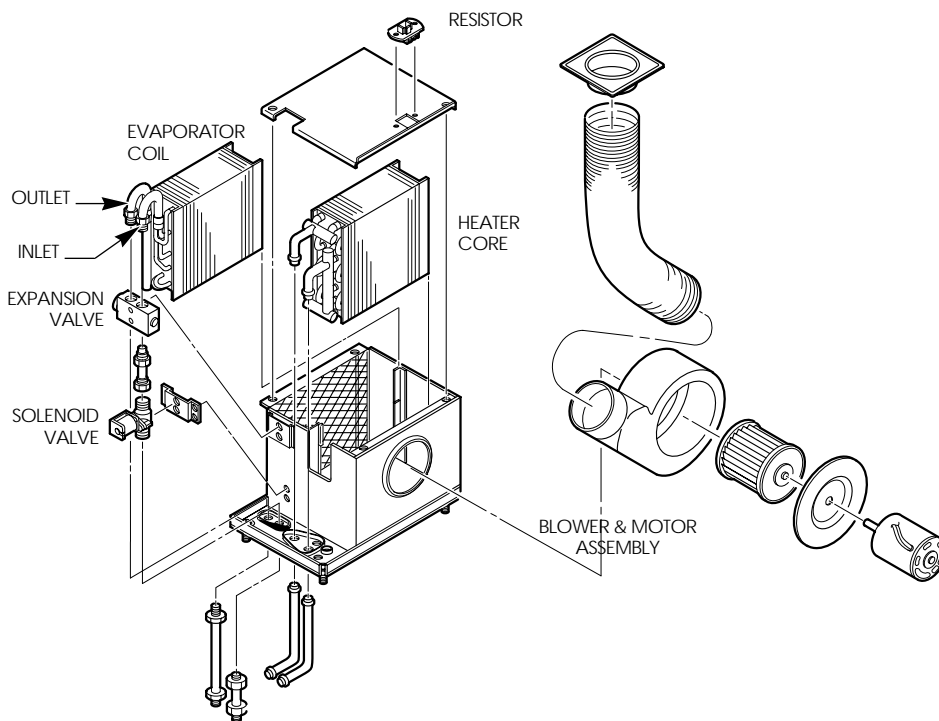


Figure 11-7

This is an auxiliary HVAC unit designed to heat and cool a bunk or sleeper box. It would supplement heat energy movement by an existing HVAC system. To get engine coolant and refrigerant to this auxiliary system, you would "T" off the existing refrigerant lines and plumb the heater in series with the cab unit, or separately from the engine.



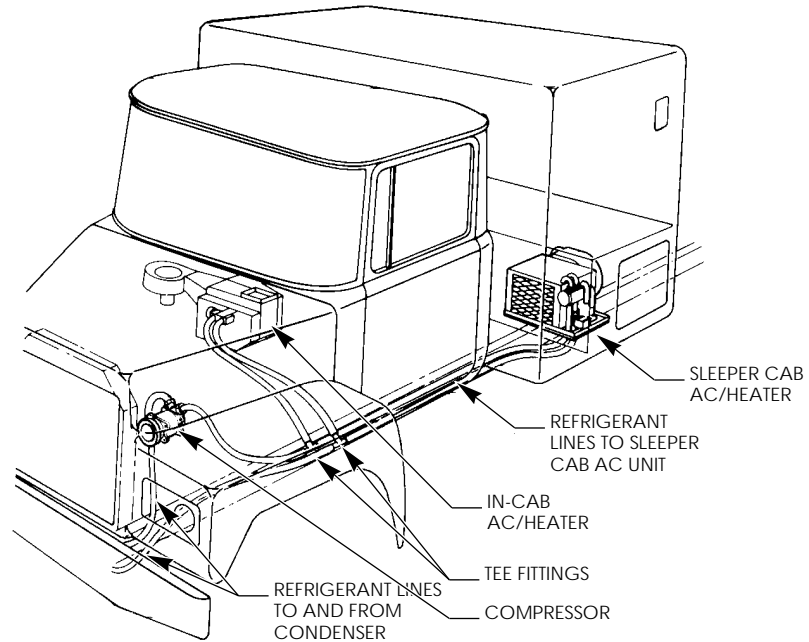
AUXILIARY HVAC UNIT

Sleeper cab AC system refrigerant flow is controlled by an electrically operated solenoid valve. The solenoid is wired to the control panel in the sleeper cab. When the operator turns on the bunk AC system, the solenoid valve opens to allow refrigerant to flow to the evaporator mounted under the bunk. With most installations the fan motor cycles on and off to control temperature. Figure 11-8 shows how the sleeper box and in cab AC units may be positioned and connected.

Note: CTC® systems are used in some applications.

Figure 11-8

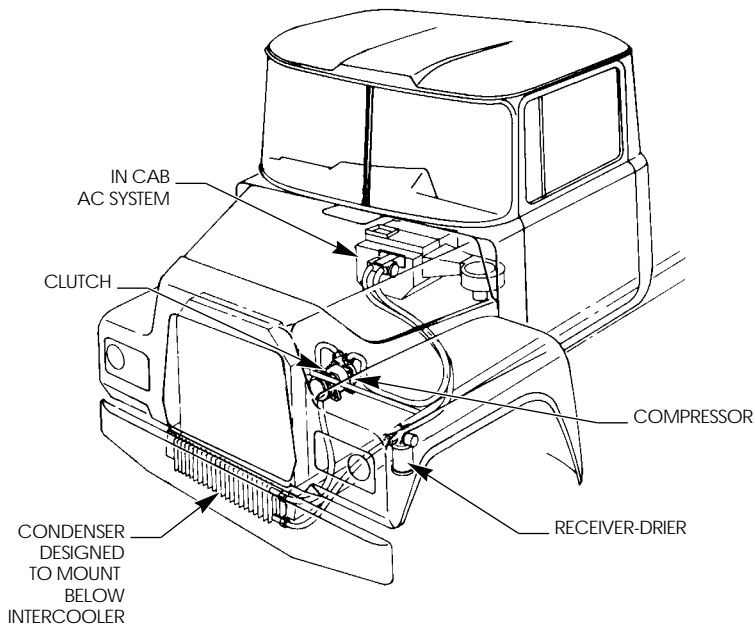
A typical installation schematic that shows component location when under-dash and sleeper box systems are combined. Tee fittings in both high and low pressure AC lines carry refrigerant to and from both evaporators. The heater system is not shown.



Engine intercooler designs often use the space in front of the radiator where an AC condenser would normally be mounted. A roof mount AC system condenser may be the solution. In some cases, there is space to install the condenser below the intercooler. Figure 11-9 illustrates how an AC system design takes advantage of space below the intercooler for condenser installation.

Figure 11-9

This AC system schematic shows how components might be mounted when an engine intercooler (charge-air cooling) has been installed in front of the radiator. The condenser used is designed to fit below the intercooler unit (not shown).



Please take a few minutes to review all illustrations, cautions and notes in this manual. If you would like more information about heavy duty vehicle HVAC system service and repair, check with your supplier. Someone may be holding a service clinic in your area that you could attend and benefit from.

Your own troubleshooting ability and work speed will increase with experience. Remember also, the causes for system failure can often be prevented with a regular system maintenance program.

Chapter 12 Retrofitting an R-12 System

Click on any of these subject headings to go directly to the page

- Retrofit Survey
- General Retrofit Procedure
- Chapter Review

The world supply of R-12 is ever declining. Although many precautions are being taken to contain R-12, it continues to be lost to the atmosphere. At the same time production of this material is being curtailed. Production of R-12 will actually cease at the end of 1995.

As long as a supply exists and the price is reasonable, R-12 systems should be serviced with this refrigerant. However, at some time, you will be retrofitting R-12 systems with R-134a. It would be a good idea to become acquainted with the retrofit process on those vehicles you normally service. This will allow you to discuss the process with your customer and estimate the costs involved.

The most dependable way to retrofit a system is to replace all components in the refrigerant loop. This is costly and time consuming. Many vehicle manufacturers will recommend a retrofit procedure with a kit. Retrofit kits are planned for vehicles produced in high volume.

Retrofit Survey

Survey the system and determine what components need changing. If a kit is available from the original manufacturer your job is made easier. If not, review each component and make a judgment call.

The following parts are discussed further in this section:

1. Compressor
2. Condenser
3. Receiver-Drier
4. Expansion Valve
5. Evaporator
6. Hoses
7. Seals and "O" Rings
8. Service Ports

1. Compressor

Some compressor manufacturers are suggesting their products can be used with R-134a after draining out the R-12 mineral oil. Although this may be a recommendation, it may not be backed with a warranty. Use your own judgment here or let the customer make the call.

2. Condenser

When R-134a is used in an R-12 system, operating pressures generally run about 20 psi higher. If this is acceptable, the existing condenser can be used. If operating pressures are already marginal, as in some existing systems, a larger condenser should be added.

3. Receiver-Drier

Always replace the receiver-drier. Many new receiver-driers are being built with XH-7 or XH-9 desiccants which are compatible with both R-12 and R-134a. However, a drier that is in service will have collected moisture, contaminants, and lubricant. It is good insurance to start with a clean component. R-134a is more sensitive to the presence of free moisture. A receiver-drier with more desiccant (such as 15 cubic inches in place of 12 cubic inches) is a great idea.

4. Expansion Valve

Beginning in 1993, many expansion valves are being charged with a gas that works equally well with R-12 and R-134a. Even a TXV charged with R-12 will work fairly well with the new refrigerant. If the valve is clean and functioning, it can be reused with little risk.

5. Evaporator

The evaporator coil can be used although it should be drained of lubricant.

6. Hoses

R-134a will permeate through rubber hose much faster than R-12. A nylon barrier hose is much better for either refrigerant but essential with R-134a. Nylon barrier hose has been used on many heavy duty R-12 systems. There have been continued improvements in both hoses and fitting crimp designs. Hose replacement is costly but the customer should be advised of the risk of possible replacement at a later date.

7. Seals and “O” Rings

Certain seals and “O” rings in older systems are not compatible with PAG lubricants. The best bet is to change “O” rings with a known material such as neoprene or HNBR. The systems manufacturer should be able to advise you on compressor and other system seals.

8. Service Ports

The R-12 service ports, most often Schrader type fittings, must be removed or converted to R-134a service ports.

General Retrofit Procedure

Now it's time to make the changeover. Before starting, be sure all the new materials are at hand. They could well be in short supply.

1. Using your R-12 recovery/recycle equipment, remove the R-12.
2. Remove mineral oil. Removing as much mineral oil as possible is very important, although some tests indicate a residual amount of oil can be tolerated.
3. Discard the receiver-drier.
4. Make efforts to drain those components where lubricant may collect. This would include evaporator coils and the lowest hoses such as those routed to a sleeper box evaporator.
5. If you are reusing the compressor, it should be removed and drained. Measure the amount of oil removed.
6. Power flushing with R-12 might be considered, but to be successful, system restrictions (compressor, receiver drier, and expansion valves) must be isolated. Other solvents may not be compatible with system components, R-134a or the new lubricants. Know for sure what you are using, and use only what is approved by the system's manufacturer.

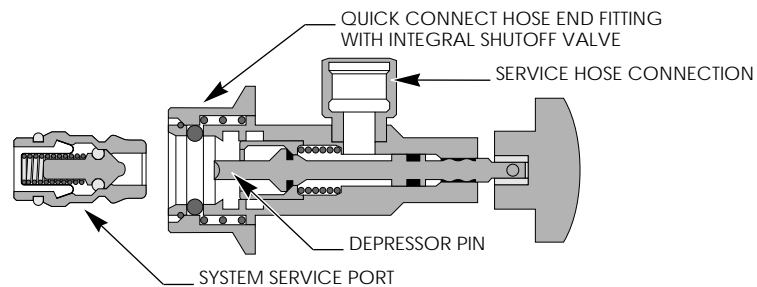
WARNING

Compressed air should never be used to flush or purge a system. Although compressed air is most dangerous in the presence of R-134a, bad habits could develop with R-12 and carry over to the new refrigerant. Compressed air almost always contains moisture which could result in early comebacks and additional cost.

7. New quick connect service fittings must be installed on an R-134a system. This is done to prevent servicing with refrigerant other than R-134a. Figure 12-1 shows these fittings.

Figure 12-1

This illustration shows R-134a service ports and hose end fittings.



VALVE ASSEMBLED TO SERVICE PORT WITH VALVE IN THE OPEN POSITION

8. Reassemble the system with its new components. Attach a vacuum pump and evacuate for at least one hour. Leak check as discussed in *Chapter 9*.
9. If a label identifies the amount of R-12 and lubricant that was used in the system, replace with that amount.

- 10.** If no label exists, refer to the recovery unit for lubricant withdrawn. Add the amount drained from the compressor and estimate that which was removed from other components. Add the type of lubricant as recommended by the vehicle or compressor manufacturer. Charge with R-134a using the sight glass technique.
- 11.** Leak check with an electronic leak detector.
- 12.** Replace the original system's label with one showing the retrofit to R-134a Include the amount of refrigerant, and the amount and type of lubricant that was added. It is a good idea to label the unique R-134a components if they do not already carry such identification.

Chapter Review

Retrofitting of mobile air conditioning, systems will be a major activity by 1995. The service technician must understand the procedure, and have the necessary equipment and a source for the new components. Understand the step by step procedure and do not deviate from the set plan. Advise your customer of the potential risks of using existing components.

Glossary

accumulator — a refrigerant storage and filtering component used in place of a receiver-drier in CCOT air conditioner systems

activated alumina — one of the chemical agents used in receiver-driers as a desiccant

air block — an assembly used to direct air pressure to control devices

air conditioning — control of air movement, humidity and temperature by mechanical or other means in a vehicle

air operated water valve — a valve in the vehicle cooling (heater) system controlled by air pressure

altitude — a measured height above sea level (where atmospheric pressure is lower than at sea level)

ambient air temperature — air temperature outside the vehicle

ambient switch — used to sense outside air temperature and prevent compressor operation in below freezing weather

atmospheric pressure — the pressure of the air at a given altitude with the normal pressure reference point of 14.7 pounds per square inch at sea level

axial compressor — a type of compressor containing pistons located in an axial design, i.e. Frigidaire, Sanden, or Zexel (formally Diesel Kiki)

back seat — an AC service valve position which closes off the service port and allows free flow of refrigerant in the system

bellows — a chamber used as a control device in an air conditioning system which expands and contracts much like an accordion

bi-level system — a cab HVAC system where the AC output is diverted to both upper (defrost) and lower air outlets

bimetallic — two dissimilar metals joined together to function as a thermostat

Binary™ switch — a two function pressure activated switch used to prevent compressor damage when pressure is too high or refrigerant is lost from the AC system

blends — a refrigerant containing less chlorine than R-12. Proposed as a replacement for R-12, but not a simple “drop in” substitute

blower wheel — wheel used to blow air through the evaporator or heater core causing air to circulate in the cab

boiling point — the point at which liquid changes to vapor

BTU — an abbreviation for British Thermal Unit, a unit of measure of heat quantity equal to the amount of heat energy required to raise a pound of water one degree Fahrenheit

bulk charge — a large container of refrigerant used in air conditioning system servicing, containing 20 or more pounds of refrigerant

CTC™ (constant temperature control), and CTC II™ — an electro-mechanical device used to maintain preselected air temperature

capacity — a measure of unit performance in BTU's per hour, tons, watts or other unit of measure

capillary tube — a gas-filled tube extending from the thermostat and some expansion valves, senses temperature to close thermostat (clutch) circuit or open expansion valve orifice

Celsius — a temperature scale where zero degrees Celsius equals 32 degrees Fahrenheit (freezing), and 100 degrees Celsius equals 212 degrees Fahrenheit (the boiling point of water)

centigrade — another name for Celsius

change of state — the reorganization of matter which allows a solid to change to a liquid or gas, a liquid to a solid or gas, or a gas to a solid or liquid

charge — term used to describe what happens when refrigerant is added to an air conditioning system

charging hose — a hose connected to a port on a manifold gauge set, used to conduct refrigerant into the AC system from the refrigerant source

chlorofluorocarbon (CFC) — a family of chemicals which includes R-12 and other chemicals. Usage is being phased out under federal law.

clutch — a mechanical device which serves to take the torque in a driving force and transfer it to another force to be driven — used to drive the compressor or engine fan

clutch cycling switch — an electrical switch used to turn the compressor clutch on or off according to temperature or pressure demands (one example is the thermostat)

compressor — the pump (often referred to as the heart) of an air conditioning system which pumps refrigerant through the system and raises the vapor pressure of refrigerant

compressor head pressure — the pressure of refrigerant as it leaves the compressor through the discharge port

compressor shaft seal — a seal located on the output end of the compressor shaft which serves to keep refrigerant oil and refrigerant inside the system

condensate — the water that collects on surfaces like the evaporator fins and other cold surfaces when the air conditioning system is operating

condensation — the process by which gas or vapor changes to a liquid

condenser — a finned tube device (heat exchanger) in which refrigerant loses heat and changes from hot vapor (or gas) to a warm liquid in the system

conduction — the ability of a substance to convey heat from one point to another within the substance (heat movement in refrigerant)

contaminant — any foreign substance (particularly moisture, dirt or air) which enters an air conditioner system and must be removed

convection — transmitting or moving heat within a liquid or gas by moving the heated parts

cutoff switch — a switch on the compressor which cuts the compressor out of the system when full throttle is applied to the engine

cycling clutch orifice tube (CCOT) system — a Frigidaire AC system that uses an expansion tube (fixed orifice tube) and an accumulator in place of the expansion valve and receiver-drier

cycling clutch system — a temperature control system which monitors the operation of the compressor clutch

dehumidify — to remove moisture (humidity) from the air in the cab or defog the windshield

density — the ratio of mass to it's volume

desiccant — an agent used in an air conditioning system to dry or remove moisture by absorption; found in the receiver-drier or accumulator

desiccant bag — the container found inside some receiver-driers and accumulators for the desiccant

diaphragm — a device which acts as a bellows or piston to divide the chambers of a control device

dichlorodifluoromethane — the chemical name for Refrigerant R-12

discharge — in an air conditioning system, refers to bleeding or releasing all refrigerant in a system

discharge line — line carrying refrigerant from the compressor outlet to the condenser inlet connection

discharge pressure — the high side pressure (refrigerant vapor) leaving the compressor

discharge switch (compressor) — switch on the compressor which turns the compressor off when low pressure of refrigerant is sensed

discharge valve — same as high side service valve

drain tube — in an AC system a tube positioned to drain condensation out of the vehicle

drier — normally a part of the receiver-drier, used to absorb moisture in the system using a desiccant as a drying agent

drive pulley — the pulley that drives the compressor clutch

drying agent — same as desiccant

electronic leak detector — a device designed to sense leaks in an air conditioning system with extreme accuracy

electronic sight glass — a device using ultrasonic principals to sense refrigerant inside an AC system and provide audible signals when the AC system has the proper amount of refrigerant

equalizer line — used to control valves in an air conditioning system to equalize pressure or temperature

ester — a type of lubricant that may be found in R-134a systems

evacuate — the process of removing all moisture or air in a system by creating a vacuum in the system

evaporation — the process by which a liquid changes it's state to become a vapor or gas

evaporator — a device with coils and fins through which liquid refrigerant flows, removing heat energy from the air, and changing to a vapor

expansion tube — also called a fixed orifice tube (CCOT system), replaces expansion valve and meters refrigerant to evaporator

expansion valve — same as thermostatic expansion valve (TXV)

external equalizer — same as equalizer line

Fahrenheit — a scale used to measure temperature (heat intensity- how hot something is), and calibrated at 32 degrees Fahrenheit where water freezes and 212 degrees Fahrenheit where water boils

fan clutch — a variable speed or on-off clutch which acts as a coupler (fluid, air or electrical), between engine and the engine cooling fan

filter — a portion of the receiver-drier used to remove solid contaminants from the system

flush — the process of removing all foreign matter from a system by means of pressurized air, refrigerant or dry nitrogen

foaming — when observed in the sight glass indicates low level of refrigerant in the system

foot-pound — a measurement of energy required to raise one pound one foot. In relationship to torque, it is a force that acts upon a body (such as a bolt or nut) to produce rotation

freeze-up — the freezing of water or moisture in the expansion valve orifice or on the fins and coil of the evaporator

freezing point — the point at which a liquid will become a solid

Freon® — Dupont registered trade mark name for refrigerant R-12

front seat — an AC service valve position which isolates the compressor from the system by closing the valve (turning the valve stem all the way to the right)

gauge set — two gauges (sometimes three) installed on a manifold to test and measure conditions inside the AC system

'H' valve — a water valve which returns excess coolant from the heater inlet back to the engine cooling system

Halide leak detector — a propane gas device used to determine the location and severity of an R-12 leak in the system

head pressure — the pressure of refrigerant from where it originates at the discharge valve of the compressor, through all lines and components to the orifice in the expansion valve

heat energy — heat in action; the movement of a quantity of heat measured in BTU's (example, in a change of state)

heat exchanger — a device which enables fluid at one temperature (higher) to move heat to another fluid at a lower temperature

heat intensity — the temperature of a substance or material as measured by a thermometer

heat load — the amount of heat contained in a given situation

heat quantity — the amount of heat measured in BTU's (British Thermal Units)

heater — an apparatus that provides heat

heater core — an assembly of metal tubing and fins used to exchange heat from engine coolant to cab air

Hg — the symbol used for mercury in the Periodic Table of Elements

HVAC — heating, ventilation, and air conditioning

high load condition — the circumstance when the air conditioning system is operating at maximum capacity to cool a given environment

high pressure cutout switch — a switch which cuts out the compressor clutch if pressure in the system rises above a pre-set level

high pressure lines — the lines that carry high pressure refrigerant gas and liquid between the compressor, condenser, receiver-drier and expansion valve

high side — the high pressure side of a system (gas or liquid) from the compressor outlet to the expansion valve orifice

high side low pressure cutout switch — a switch (on the high pressure line) which cuts out the compressor clutch if pressure in the system drops below a pre-set level

high side service valve — a valve on the compressor used to service the high pressure side of the system and permit it to be checked

humidity — the degree of moisture or wetness in the air (atmosphere)

hydrochloric acid — a corrosive chemical created within an air conditioning system when moisture and R-12 combine under pressure

ideal comfort range — a temperature range, generally between 70 and 80 degrees Fahrenheit, where most people are comfortable

in. Hg (inches of mercury) — a unit used to measure vacuum

inch-pound — a measurement of energy required to raise one pound one inch. In relationship to torque, it is the force that acts upon a body (bolt or nut) to produce rotation

in-line compressor — a 2-cylinder compressor whose pistons are side-by-side, i.e.. Tecumseh, York

in-line drier — a drier located after the receiver-drier but before the expansion valve; absorbs and moisture escaping from the receiver-drier

in-line muffler — a device to reduce noise from the high side of the compressor

intercooler — an air-to-air heat exchanger used on some heavy duty vehicles, that mounts in front of the radiator to cool the intake air on a turbo-charged engine. Also called a charge-air cooler

KLEA — Technical Chemical Company trademark for R-134a

latent heat of evaporation — the amount of heat required by a substance to change it's state from a liquid to a gas without raising it's temperature

leak detector — a device which detects any refrigerant leaks in an air conditioning system

Legris air fitting — a patented push-on connector (fitting) used in AC/heater air control systems to attach tubing and designed for a positive leak free seal and quick disconnect

liquid line — the line from the outlet of the receiver-drier to the expansion valve inlet

low head pressure — a system malfunction which causes the high side pressure to be lower than required for proper system operation

low side low pressure cutout switch — a switch (on the suction line) which cuts out the compressor clutch if pressure in the system drops below a pre-set level

low side — the low pressure side of a system, from the expansion valve orifice to the compressor inlet

low side service valve — a valve on the compressor used to service the low pressure side of the system and permit it to be checked

lubricant — refrigeration oil specially formulated to be free of all contaminants and moisture. Note: different for R-12 and R-134a

magnetic clutch — an electrically operated device used to cycle the compressor on and off

manifold — the part of the manifold gauge device designed to control refrigerant flow

manifold gauge hoses — hoses connected to the manifold gauge set used to test, evacuate, recover and charge the air conditioning system

manifold gauge set — a system measuring device containing two (sometimes three) gauges and three or more service connections

melting point — the temperature at which a solid turns into a liquid

mercury — used to indicate the amount of vacuum (a perfect vacuum is 29.92 inches of mercury at sea level)

molecular sieve — a drying agent used in the receiver-drier to absorb moisture and filter contaminants out of the refrigerant

natures laws — the principals of conduct in natural process or function in nature

PAG — a polyalkylene glycol lubricant used in many R-134a systems

parallel flow — a coil design where refrigerant flows through both upper and lower tubing at the same time

phosgene — a poison gas produced when R-12 comes in contact with an open flame

POA valve — a suction throttling valve used in some systems

pressure drop — pressure lost while passing through a component, the difference between pressure in and pressure out

pressure range — a measured spread between a high and low pressure

pressure switch — a pressure sensitive electrical switch mounted at the receiver-drier, on some accumulators or in the suction line to activate or interrupt electrical current cycling the compressor clutch

propane — a flammable gas used in the Halide leak detector

psi — abbreviation for “pounds per square inch”

psig — abbreviation for “pounds per square inch gauge”

purge — to remove the refrigerant from an AC system and hoses by opening the system or using pressure to eliminate the contents

R-12 — the common name of the refrigerant used in vehicle air conditioner systems to move heat energy

R-134a — a new refrigerant which does not harm the atmosphere

radial compressor — a compressor that has pistons in a radial design

radiation — heat waves (heat energy) passing through the air

radiator shutter — a metal vane assembly on some truck radiators where the vanes can be opened or closed to allow or exclude ram air flow to the radiator, radiator mounted condenser and engine

ram air — air through which a vehicle passes, increasing in force as the speed of the vehicle increases

receiver-drier — a container which receives, stores, and removes moisture from refrigerant

reciprocating compressor — a compressor having pistons that move back and forth in cylinders

reclaim — the process of restoring refrigerant to new product specifications

recovery — the process of removing refrigerant from an AC system

recycle — the process of removing contaminants (moisture, acid, particulate matter) from a refrigerant

reed valve — suction and discharge valves located in the valve plate of the compressor

refrigerant — a substance used in HVAC systems to control heat energy

refrigerant cycle — one complete revolution of refrigerant through the system which includes changes of state of the refrigerant from liquid to vapor or gas and back to liquid

refrigeration oil — a specially manufactured oil free from moisture and all contaminants

relative humidity — the amount of moisture in the air as compared to the total amount the air can hold at a given temperature and altitude

resistor — a voltage dropping device, usually wire wound, which provides a means of controlling fan or blower speed

retrofitting — reconditioning an R-12 AC system to use R-134a

rotary vane compressor — a type of compressor which uses internal vanes rather than pistons to operate and pump the refrigerant through the system

rotating coil clutch — an old type clutch where the magnetic coil is part of the clutch pulley — now replaced universally by the stationary coil design where the coil is bolted to the compressor body

Schrader valve — a spring loaded valve inside some service fittings, similar to a tire valve; also found on some accumulators

serpentine — a condenser coil formed from one piece of extruded aluminum tubing

service port — a fitting on control devices and service valves allowing connection of manifold gauge hoses

service valve — see “low side service valve” and “high side service valve”

shaft seal — see “compressor shaft seal”

sight glass — a window usually in the top of the receiver-drier for observing the condition of the refrigerant

silica gel — a type of desiccant which removes moisture from refrigerant

solenoid valve — an electromagnetic valve controlled by electrical current energizing and de-energizing a coil to open or close the valve

specific heat — the amount of heat required to change the temperature of one pound of a substance 1 degree Fahrenheit

stationery coil clutch — the magnetic clutch used to drive the compressor

stem-type valve — a service valve with a threaded valve stem for three position adjustment, back-seated, mid position and front-seated

suction line — the line connecting the evaporator outlet to the compressor inlet; the low pressure lines

suction service valve — see “low side service valve”

suction side — the low pressure portion of the system, from expansion valve orifice to compressor inlet

sump — the portion of a compressor where oil is contained, waiting to be circulated

superheat — heat added to a gas after evaporation from a liquid state (the approximate temperature rise across the evaporator coil)

SUVA — Dupont trademark for R-134a

superheat switch — a switch mounted on the compressor and connected to a thermal limiter and fuse, used in some GM systems to sense low refrigerant and protect the compressor

temperature range — a measured spread between a high and low temperature

thermal limiter — a protective device with a fuse and used with a superheat switch to stop the compressor when low pressure is sensed by the superheat switch

thermistor — a very sensitive electronic temperature sensor

thermostat — a temperature sensitive switch used to control system temperature by cycling the compressor on and off

thermostatic expansion valve — a valve which senses evaporator outlet tube temperature and pressure to regulate the flow of refrigerant into the evaporator

TRINARY™ switch — a three function switch, the first two functions protect the compressor from operating as follows: 1) abnormally low refrigerant or loss of refrigerant, 2) extremely high head pressure. The third function can open the radiator shutter and/or cycle an air or electric operated fan clutch when the system requires more air flow through the condenser

tube and fin — aluminum or copper tubing inserted through individual pieces of fin material

vacuum — expressed in inches of mercury or Hg, a vacuum is a state in which air pressure is below atmospheric pressure

vacuum pump — a pump attached to a sealed system or enclosure (an air conditioning system) to evacuate air and moisture from the system

valves-in-receiver — a receiver-drier which contains an expansion valve and a POA valve in one unit

WANKEL compressor — a type of compressor which uses a triangular gear driven rotor inside a figure eight shaped cavity to operate and pump refrigerant through the AC system

water valve — a mechanical, vacuum or air operated valve used to control the flow of coolant to the heater core

Figure Index

Fig. No.	AC/Heater Combo System Components	Page
1	AC/Heater Combo System Components	Intro-1
2	Typical Off-Road Installation	Intro-2
1-1	Cab Temperature Range	1-1
1-2	Heat Energy Movement - Summer/Winter	1-2
1-3	Cab Temperature Parked - Summer/Winter	1-3
1-4	Coolant & Refrigerant Flow Inside the Systems	1-3
1-5	Heat Energy Radiation	1-4
1-6	Thermometer - Dial Type with Probe	1-4
1-7	Fahrenheit/Celsius Conversion Chart	1-5
1-8	Change of State - Illustrated with Water	1-5
1-9	Change of State - Effect on Refrigerant	1-6
1-10	Change of State - Inside AC System	1-7
2-1	AC/Heater Mounting Locations	2-2
2-2	AC System Operation - Diagram	2-3
2-3	Compressor Operation	2-4
2-4	Clutch Assembly (to Compressor)	2-4
2-5	Condenser Function	2-5
2-6	Receiver Drier Cutaway View	2-5
2-7	Expansion Valve - Block Type Cutaway View	2-6
2-8	Evaporator Coil with Thermostat	2-7
2-9	Heater System Components	2-8
3-1	Pressure Radiator Cap - Thermostat Positions	3-2
3-2	Pressure Radiator Cap - Sealing Cooling System	3-2
3-3	Cooling System Water Pump Cutaway View	3-3
3-4	Heater Core	3-3
3-5	Heater System Ducts - Typical	3-4
3-6	Blowers and Motors - Various Types	3-5
3-7	Heater Control Panel - Typical	3-5
3-8	Heater System Water Valves - Air & Cable Control	3-6
4-1	AC System Pressures & Change of State	4-2
4-2	AC System Pressure & Temperature Relationship	4-3
4-3	Compressor Function - Low & High Side	4-4
4-4	Compressor Designs Illustrated	4-5
4-5	Compressor Output (Performance)	4-8
4-6	Clutch Function - Thermostat Control	4-9
4-7	Condenser Designs - Illustrated	4-10
4-8	Receiver-Dryer Function	4-11
4-9	Accumulator Function	4-13
4-10	Internally Equalized Valve Function	4-14
4-11	Expansion Tube Design	4-14
4-12	Evaporator Coil Function	4-15
4-13	Roof Top AC System Blower & Fan Assembly	4-16
4-14	HVAC Blend Air Duct System Cutaway View	4-17
4-15	HVAC Stacked Core Arrangement Cutaway View	4-17
5-1	HVAC System In-Cab Control Function	5-2
5-2	Thermostat Controls Illustrated	5-3
5-3	Pressure Switch/Clutch Control -Accumulator System	5-4
5-4	Refrigerant Flow Controls Illustrated	5-5
5-5	Heater System In-Cab Controls	5-7
5-6	Coolant Flow Using "H" Type Water Valve	5-8
5-7	Air Operated Controls Cutaway View	5-9
5-8	Thermal Limiter/Superheat Switch Function	5-10
5-9	Control Switch Variations Illustrated	5-10
5-10	Electrical Relay & Resistors Illustrated	5-11
5-11	Electrical Schematic for Roof Mount AC System	5-11
5-12	Combination Controls - Binary™ & Trinary™ Switch Function	5-12

Fig. No.	AC/Heater Combo System Components	Page
6-1	Refrigerant Container Example	6-3
6-2	Manifold Gauge Set Function	6-4
6-3	Manifold Gauge Set Hookup Location	6-5
6-4	Compressor Service Valves Cutaway View	6-6
6-5	R-134a Service Ports/Hose End Fittings	6-6
6-6	Vacuum Pumps Illustrated	6-7
6-7	Leak Detector Components & Function - Halide Type	6-8
6-8	Leak Detector - Electronic	6-9
6-9	Flushing Kit Components - AC System	6-9
6-10	Dipsticks Measure Refrigeration Oil in Compressor	6-10
6-11	Refrigerant Charging Meters & Stations Illustrated	6-11
7-1	AC System Maintenance Frequency Chart	7-1
7-2	AC System Visual Inspection	7-3
7-3	AC System Inspection - Mounting Bolts	7-3
7-4	AC System Inspection - Fitting Leaks	7-5
7-5	AC System Inspection - Electrical Wiring	7-6
7-6	AC System Cab Temperature Range Chart	7-8
7-7	AC System Inspection - Sight Glass	7-9
7-8	Heater System Visual Inspection	7-10
7-9	Preventative Maintenance Schedule	7-12
8-1	System Operation Sequence	8-2
8-2	Manifold Gauge Set Installation	8-6
8-3	Manifold Gauge Set Purging Setup	8-7
8-4	Manifold Gauge Set Purging Center Hose	8-8
8-5	Troubleshooting With Gauges - Low Refrigerant Reading	8-10
8-6	Troubleshooting With Gauges - Very Low Refrigerant Reading	8-11
8-7	Troubleshooting With Gauges - Air and Moisture	8-12
8-8	Troubleshooting With Gauges - Extreme Air and Moisture	8-13
8-9	Troubleshooting With Gauges - TXV Stuck Closed	8-13
8-10	Troubleshooting With Gauges - TXV Stuck Open	8-15
8-11	Troubleshooting With Gauges - High Side Restriction	8-16
8-12	Troubleshooting With Gauges - Compressor Problem	8-17
8-13	Troubleshooting With Gauges - Condenser and Overcharge	8-18
8-14	Troubleshooting With Gauges - Thermostat Problem	8-19
9-1	Recovery/Recycle Station Example	9-3
9-2	Recycled Refrigerant Pressure Chart	9-6
9-3	AC System Evacuation Procedure	9-7
9-4	Vacuum Pump	9-8
9-5	AC System Charging - Low Pressure Side (Gas Refrigerant)	9-9
9-6	AC System Charging - High Pressure Side (Liquid Refrigerant)	9-10
10-1	Clutch Wiring Schematic - Clutch Circuit	10-3
10-2	Air Block Operation	10-6
10-3	Constant Temperature Control System	10-8
11-1	Auxiliary Universal Heater Illustrated	11-1
11-2	Universal Heater/Defroster Illustrated	11-2
11-3	Universal AC Unit Cab Roof Mount Illustrated	11-2
11-4	HVAC Combination Unit Illustrated	11-3
11-5	HVAC Under Dash Installation Illustrated	11-3
11-6	Roof Mounted Condenser - Low Profile Illustrated	11-4
11-7	Auxiliary Universal HVAC Unit Illustrated	11-4
11-8	Sleeper Box/Truck Cab Combo System	11-5
11-9	Intercooler Installed Above Condenser	11-5
12-1	R-134a Service Ports/Hose End Fittings	12-3

Subject Index

Click on page number to go to page.
Pages references in italic refer to Glossary entries.

Symbols

134a Refrigerant 4-3

A

AC accumulator system schematic 5-4
AC Active Controls 5-1
AC Clutch 2-4
AC Combination and supplemental control devices 5-1
AC components 2-3
AC Compressor 2-3, 2-4
 Compressor/Clutch Assembly 2-3
AC Compressor Clutch Circuit 10-4
AC Condensation 1-6, 1-7
AC Condenser 2-5
AC Control Devices 5-1
AC Engine Coolant Flow 1-3
AC Evaporation 1-6, 1-7
AC Evaporator Coil 2-7
AC Expansion Valve 2-6
AC Gauge Readings 8-9
AC Passive Controls 5-1
AC Receiver-Drier 2-5
AC Refrigerant Flow 1-3
AC Systems and Components 11-1
 AC/heater combination unit 11-3
 AC/heater unit 11-3
 auxiliary AC/heater unit 11-4
 heater defroster unit 11-2
 in-cab air conditioner 11-2
 roof condenser 11-4
 universal heater 11-1
Accumulator 4-12
accumulator *i-1*
activated alumina *i-1*
Air actuated fan clutches 5-13
air block *i-1*
Air Conditioner Blower/Fan and Motor Assembly 4-15
Air Conditioner Components 4-1
Air Conditioner Condenser 1-4, 1-6
Air Conditioner Controls 5-1
 Active Controls 5-2
 Compressor Clutch Control 5-3
 Passive Air Conditioner Controls 5-3
 Refrigerant Flow Control 5-4
Air Conditioner Hoses and Fittings 4-17
Air Conditioner System Ducts 4-16
Air Conditioner—System Operation 2-2
 Condenser and High Pressure Lines 2-4
 Evaporator Coil 2-6

Expansion Valve 2-6
Receiver-Drier 2-5
Air Conditioner/Heater Functions 1-7
air conditioning *i-1*
Air Conditioning/Heating Function 1-1
Air Conditioning System Service Tools 6-2
 Flushing Kit 6-9
 Heater System Service Tools 6-9
 Leak Detectors 6-7
 Manifold Gauge Set 6-3
 Recovery/Recycling Station 6-2
 Refrigerant Dispensing Valves & Containers 6-3
 System Service Valves 6-5
 Vacuum Pumps 6-7
Air Operated Controls—Troubleshooting 10-6
 Air Block 10-7
 Air Cylinder 10-7
 Control Lever 10-7
 Pintle 10-7
air operated water valve *i-1*
altitude *i-1*
ambient air temperature *i-1*
ambient switch *i-1*
atmospheric pressure *i-1*
axial compressor *i-1*

B

back seat *i-1*
bellows *i-1*
belt tension gauge 6-10
bi-level system *i-1*
bimetallic *i-1*
Binary™ switch 5-12, *i-1*
blends *i-1*
Blower or Fan and Motor Assembly 3-4
Blower Speed Operation 7-6
blower wheel *i-1*
blower/fan motor switches 5-9
boiling point *i-1*
British thermal units (BTU's) 1-4, 1-5, 1-6
BTU *i-1*
bulk charge *i-1*

C

Cab Environment 1-1
Cab Temperature Levels 7-7
capacity *i-1*
capillary tube *i-1*
CAUTION 4-5, 4-12, 6-4, 6-5, 7-2, 8-6, 8-8, 8-9, 9-2, 10-1, 10-5
CCOT *i-2*

Click on page number to go to page. Pages references in *italic* refer to Glossary entries.

- Celsius *i-1*
 centigrade *i-1*
 CFC *i-2*
 change of state *i-1*
 Changes in Service Procedures 9-1
 Changes of State 1-6
 Chapter Review 1-8, 2-10, 3-6, 4-17, 5-13, 6-12, 7-11, 9-11
 charge *i-2*
 charging hose *i-2*
 charging meter 6-11
 charging stations 6-11
 Charging the AC System 9-7
 Charging with Liquid Refrigerant 9-10
 Reclaiming Refrigerant 9-11
 Charging with Refrigerant Gas 9-8
 chlorofluorocarbon *i-2*
 Clutch 4-8
 clutch *i-2*
 clutch cycling switch *i-2*
 Clutch Engagemen 7-6
 Clutch Engagement 7-6
 Component Repair or Replacement 10-1
 Compressor & Clutch 10-2
 Expansion Tubes 10-2
 Expansion Valves 10-2
 Hoses and Fittings 10-1
 Lines 10-2
 Components Under the Hood 7-3
 Compressor 1-7
 Repair 10-3
 Servicing 10-3
 compressor *i-2*
 compressor head pressure *i-2*
 compressor service tool kits 6-10
 compressor shaft seal *i-2*
 COMPRESSORS 4-3
 Types 4-5
 Compressors
 Compressor Output 4-7
 Five-Cylinder Compressor 4-6
 Four-Cylinder Compressor 4-6
 Six-Cylinder Compressor 4-6
 Two-Cylinder Compressor 4-6
 Wankel Compressor 4-7
 Conclusion 8-23
 condensate *i-2*
 condensation *i-2*
 Condenser 2-5, 7-3
 condenser *i-2*
 Condenser types 4-10
 Condensers 4-9
 functions 4-9
 Locations 11-5
 conduction *i-2*
 constant temperature control *i-1*
 contaminant *i-2*
 Controls 3-5
 convection *i-2*
 Cooling System Thermostat 3-1
 CTC™ *i-1*
 CTC™ (Heater) and CTC™ II (Heater-A/C System) 10-8
 Air operated Water Valve 10-9
 Circuit Board Assembly 10-9
 Solenoid Valve 10-9
 Variable Resistor 10-9
 cutoff switch *i-2*
 cycling clutch orifice tube *i-2*
 cycling clutch system *i-2*
- D**
- dehumidify *i-2*
 density *i-2*
 Description and Properties of Refrigerants 9-1
 desiccant *i-2*
 desiccant bag *i-2*
 Dial Thermometer 1-4
 diaphragm *i-2*
 dichlorodifluoromethane *i-2*
 digital thermometer 6-10
 discharge *i-2*
 discharge line *i-2*
 discharge pressure *i-2*
 discharge switch (compressor) *i-2*
 discharge valve *i-2*
 dispensing valve 1-6
 drain tube *i-2*
 drier *i-3*
 Drive Belt 7-4
 drive pulley *i-3*
 drying agent *i-3*
- E**
- electric fan clutch 5-13
 electrical relay 5-11
 Electrical schematic 5-10, 10-3
 electrical schematic 5-11
 Electrical System Inspection 7-5
 Electrical Connections 7-5
 Electrical Current Flow and Device Functions 7-5
 electrical system inspection points 7-6
 electronic digital thermometer/pyrometer 6-11
 Electronic Leak Detector 6-8
 electronic leak detector 6-9, 7-5, *i-3*
 electronic sight glass 6-12, *i-3*
 Engine Coolant or Anti-freeze 3-1
 Environmental Effects on System Operation 2-9

Click on page number to go to page. Pages references in *italic* refer to Glossary entries.

- equalizer line *i-3*
 ester *i-3*
 evacuate *i-3*
 Evacuating the AC system 9-7
 evaporation *i-3*
 evaporator *i-3*
 Evaporator Coil 4-15
 expansion tube 5-5, *i-3*
 Expansion Tubes
 Expansion Tubes 4-14
 expansion valve *i-3*
 Expansion Valves & Other Metering Devices 4-13
 Thermostatic Expansion Valves 4-13
 external equalizer *i-3*
- F**
- Fahrenheit *i-3*
 fan clutch *i-3*
 Fan Clutch or Shutter Override Circuit 10-5
 filter *i-3*
 fin comb 6-10
 flush *i-3*
 Flushing the AC System 9-6
 foaming *i-3*
 foot-pound *i-3*
 freeze-up *i-3*
 freezing point *i-3*
 freon solenoid valve 5-5
 Freon® *i-3*
 Frequent AC/Heater Problems 8-21
 Belts and Compressor Clutch 8-21
 Condenser 8-22
 Leaks, Moisture, and Adding Refrigerant 8-22
 Refrigerant Lines, Hoses and Fittings 8-22
 Refrigerant Metering Valves 8-22
 front seat *i-3*
 Fuses 7-6
- G**
- gauge set *i-3*
 GLOSSARY *i-1*
 GM systems 4-9
- H**
- “H” type water valve 5-8
 ‘H’ valve *i-3*
 Halide leak detector *i-3*
 halide leak detector 6-8
 Halide Leak Detector (R-12 Only) 6-8
 head pressure *i-3*
 Heat and air sensing switches and solenoids 5-11
 heat energy *i-3*
 heat exchanger *i-3*
 heat intensity *i-4*
 heat load *i-4*
 Heat Measurement 1-4
 Heat Intensity 1-4
 Heat Quantity 1-5
 Heat Movement 1-2
 Heat Movement During Changes of State 1-6
 heat quantity *i-4*
 Heat Relationships 1-6
 Heat Sources 1-2
 heater *i-4*
 Heater A/C (CTC II™) & Heater (CTC™) Systems 5-8
 Heater Components and Controls 3-1, 3-3, 3-4
 Controls 3-5
 Heater Core 3-3
 Heater System Ducts 3-4
 Hoses and Fittings 3-5
 heater control panel 3-5
 Heater Controls 5-6
 Active Heater Controls 5-6
 Passive (Automatic) Heater Controls 5-8
 Vacuum Controls 5-8
 Heater Core 1-4
 heater core *i-4*
 Heater System 1-7, 2-8
 Blowers and Fans 2-9
 Defrosters and Ducts 2-9
 Heater Core 2-9
 Water Valves 2-9
 Heater system control panel 5-7
 Heater System Inspection 7-9
 Heater Control Valve 7-9
 Other Functions 7-10
 Hg *i-4*
 high load condition *i-4*
 high pressure cutout switch *i-4*
 High pressure cutout switches 5-10
 high pressure lines *i-4*
 high side *i-4*
 high side low pressure cutout switch *i-4*
 high side service valve *i-4*
 Hoses and Fittings 3-5
 Humidity 1-7
 humidity *i-4*
 HVAC 1-7, 2-1, 2-9, *i-4*
 HVAC control panel 5-2
 HVAC Control System—Troubleshooting 10-3
 HVAC duct 4-17
 HVAC system 8-2
 HVAC System Control Variations 5-9
 Air Controls 5-9
 Combination and Supplemental Controls 5-12
 Electrical Devices and Schematics 5-11

Click on page number to go to page. Pages references in *italic* refer to Glossary entries.

Fan Clutches, Radiator Shutters & Override
 Fan Clu 5-13
 hydrochloric acid *i-4*

I

ideal comfort range *i-4*
 in-line compressor *i-4*
 in-line drier *i-4*
 in-line muffler *i-4*
 in. Hg *i-4*
 inch-pound *i-4*
 inches of mercury *i-4*
 Inspection & Maintenance Surveys
 Inspection & Maintenance Surveys 7-1
 Inspection & Maintenance— without gauges 7-1
 intercooler *i-4*
 internally and externally equalized TXV's 4-14
 Introduction Intro-1

K

KLEA *i-4*

L

latent heat of evaporation *i-4*
 leak detector *i-4*
 Legris air fitting *i-4*
 liquid line *i-4*
 low head pressure *i-4*
 low pressure cutout switch 5-10
 low side *i-5*
 low side low pressure cutout switch *i-4*
 low side low pressure switch 5-10
 low side service valve *i-5*
 lubricant *i-5*

M

magnetic clutch *i-5*
 manifold *i-5*
 manifold gauge hoses *i-5*
 manifold gauge set *i-5*
 Manifold Gauge Set Installation 8-6
 Adding Refrigerant to the System 8-7
 Purging Air From Gauge Set Hoses 8-7
 Stabilizing The AC System 8-9
 melting point *i-5*
 mercury *i-5*
 molecular sieve *i-5*

N

natures laws *i-5*
 Nitrogen gas 8-9

P

PAG *i-5*
 parallel flow *i-5*
 Performance Inspection 7-7
 Clutch Cycling 7-8
 Sight Glass 7-8
 phosgene *i-5*
 POA valve *i-5*
 pressure controlled txv 5-5
 pressure drop *i-5*
 pressure range *i-5*
 pressure relief valve 5-10
 pressure switch *i-5*
 Pressure Switch Control 5-4
 pressure tester 6-9
 Preventive Maintenance Worksheet 7-10, 7-12
 propane *i-5*
 psi *i-5*
 psig *i-5*
 pulley alignment bar 6-10
 purge *i-5*

R

R-12 4-4
 R-134a 4-4
 R-12 1-6, 1-7, 2-7, 4-1, 4-2, 4-3, 4-4, 4-11, 4-17, 5-3, 6-1, 6-2, 6-3, 6-4, 6-5, 6-6, 6-8, 6-9, 6-11, 7-4, 8-7, 8-9, 8-17, 8-18, 9-5, 10-3, 12-1, 12-2, 12-3, *i-5*
 R-12 and R-134a 9-6
 R-12 Refrigerant 4-3
 R-134a 4-1, 4-2, 4-3, 4-4, 4-11, 4-17, 6-2, 6-3, 6-6, 6-9, 6-11, 8-7, 8-9, 9-5, 9-6, 10-1, 10-3, 12-1, 12-2, 12-3, 12-4, *i-5*
 radial compressor *i-5*
 radiation *i-5*
 Radiator 3-2
 Radiator Pressure Cap 3-1
 radiator shutter *i-5*
 Radiator shutters 5-13
 ram air *i-5*
 Receiver–Drier 4-11
 Receiver-Drier 2-5, 10-2, 12-2
 Receiver-drier 4-12, 4-18
 receiver-drier 2-6, 2-7, 2-10, 4-4, 4-11, 4-12, 4-13, 4-14, 4-18, 4-19, 5-4, 5-10, 5-12, 6-9, 7-3, 7-8, 7-9, 8-1, 8-3, 8-12, 8-13, 8-14, 8-15, 8-16, 8-17, 8-18, 8-19, 8-23, 9-7, 10-2, 12-2, 12-3, *i-5*
 reciprocating compressor *i-5*
 reclaim *i-5*
 Reclaiming Refrigerant 9-11
 Recovering and Recycling the Refrigerant 9-2
 Draining the Oil from the Previous Recovery

Click on page number to go to page. Pages references in *italic* refer to Glossary entries.

Draini 9-3
 Purging Non-Condensable Gases 9-5
 Recovery Cycle Procedure 9-4
 Recovery/Recycle Station 9-2
 Recycling Procedure 9-5
 recovery *i-5*
 recycle *i-6*
 Recycle station 9-3
 reed valve *i-6*
 Refrigerant *i-6*
 refrigerant container 6-3
 refrigerant cycle *i-6*
 Refrigerants 4-1, 9-1
 AC system overview 4-2
 Pressure/temperature relationships 4-3
 refrigeration oil *i-6*
 Refrigeration oil dipsticks 6-10
 relative humidity *i-6*
 resistor *i-6*
 resistors 5-11
 retrofitting *i-6*
 Roof Mounted Condensers 7-6
 roof top air conditioning system 4-16
 rotary vane compressor *i-6*
 rotating coil clutch *i-6*

S

Safety Intro-2, 4-1, 6-1
 safety 6-4
 Safety Equipment 6-1
 Schrader valve *i-6*
 Schrader valve core remover/installer 6-11
 serpentine *i-6*
 service port *i-6*
 Service Tools & Their Use 6-1
 service valve *i-6*
 Servicing and Repairing the Heater 10-9
 shaft seal *i-6*
 sight glass *i-6*
 silica gel *i-6*
 sleeper unit 2-1
 solenoid valve *i-6*
 special cooling system hydrometer 6-9
 specific heat *i-6*
 stationery coil clutch *i-6*
 stem-type valve *i-6*
 suction line *i-6*
 suction service valve *i-6*
 suction side *i-6*
 sump *i-6*
 superheat *i-6*
 superheat switch *i-6*
 SUVA *i-6*
 System Component Cycling 7-7
 System Controls 5-1

System Operation 2-1

T

temperature range *i-6*
 thermal limiter *i-6*
 thermal limiter and superheat switch 5-9
 thermistor *i-7*
 Thermostat 3-2
 thermostat 3-2, *i-7*
 thermostat tester 6-10
 Thermostatic Control 5-3
 thermostatic expansion valve *i-7*
 thermostats 5-3
 torque wrench 6-11
 Trinary™ pressure switch 5-12
 TRINARY™ switch *i-7*
 Troubleshooting & Service Procedures 8-1
 Example 8-3
 Troubleshooting Overview 8-1
 Troubleshooting by Manifold Gauge Set Readings 8-10
 air and/or moisture 8-12
 compressor malfunction 8-17
 condenser malfunction or system overcharge 8-18
 excessive air and/or moisture 8-13
 expansion valve (TXV) stuck open 8-15
 extremely low refrigerant charge 8-11
 low refrigerant charge 8-10
 system high pressure side restriction 8-16
 thermostatic switch malfunction 8-19
 xpansion valve (TXV) stuck closed or plugged 8-13
 Troubleshooting HVAC Control Systems 10-3
 Binary™ and Trinary™ Switch 10-4
 Truck and Heavy Equipment Systems 2-1
 tube and fin *i-7*

V

vacuum *i-7*
 vacuum pump *i-7*
 vacuum pumps 6-7
 vacuum tester 6-11
 valves-in-receiver *i-7*
 viscous drive fan clutch 5-13
 Visual Inspection - System Off 7-2
 Check for Refrigerant Leaks 7-4
 Check Hoses and Fittings 7-4
 Inspect Parts 7-2
 Observe the System 7-2
 Visual inspections 7-7

W

WANKEL compressor *i-7*

Subject Index

Click on page number to go to page. Pages references in *italic* refer to Glossary entries.

WARNING 1-6, 2-7, 3-1, 4-1, 6-2, 6-3, 6-8

Water Pump 3-3

Water Valve 3-6

water valve *i-7*

Water Valves 5-8

X

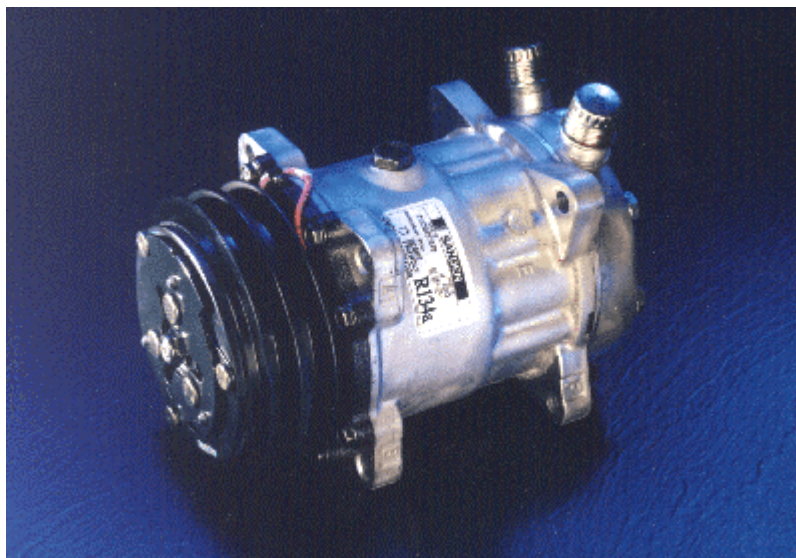
XH-5 4-11

XH-7 12-2

XH-9 4-11, 12-2

for R134a

SD Compressor Service Manual



SANDEN

SD COMPRESSOR SERVICE MANUAL

TABLE OF CONTENTS

1. Compressor Models Covered
 2. Compressor Nomenclature
 3. Cautionary Information
 4. R134a Information
 - 4.1 R134a / Pag Oil Handling
 - 4.2 Table of Saturation Temperatures and Pressures
 5. Compressor Identification
 - 5.1 Label
 - 5.2 Date Codes
 6. Compressor Specifications
 - 6.1 Belt Tension
 - 6.2 Speed Rating
 - 6.3 Basic Specifications
 - 6.4 Assembly Torques
 - 6.5 Mounting Angles
 7. Cylinder Head / Porting Guide
 8. Tools
 - 8.1 Special Service Tools
 - 8.2 Standard Tools
 9. Service Procedures
 10. Inspection Procedures
 - 10.1 Leak Checking
 - 10.2 Oil Level Measurement
 - 10.3 Shaft Turning Smoothness Inspection
 - 10.4 Clutch Inspection
 - 10.5 Unusual Noise Not Due to Compressor
 - 10.6 Unusual Noise Due to Compressor
 - 10.7 Valve Plate Test
 11. Field Replaceable Parts
 - 11.1 Compressor Parts
 - 11.2 Clutch Parts
 12. Service Operations - General Information
 13. Oil Charging
 - 13.1 Repairing Compressors
 - 13.2 Replacing Same Type of Compressors
 - 13.3 Replacing Different Types of Compressors
 - 13.4 Oil Charge Determination for Long Hose Application
 - 13.5 Oil Retained in System Components
 14. Clutch Service
 - 14.1 Armature Assembly Removal
 - 14.2 Rotor Assembly Removal
 - 14.3 Field Coil Assembly Removal
 - 14.4 Field Coil Assembly Installation
 - 14.5 Rotor Assembly Installation
 - 14.6 Armature Assembly Installation
 15. Shaft Seal Service
 16. Cylinder Head / Valve Plate Service
 - 16.1 Cylinder Head Removal
 - 16.2 Valve Plate Removal
 - 16.3 Valve Plate and Cylinder Head Installation
 17. Thermal Protector Switch Service
 - 17.1 TPS Testing
 - 17.2 TPS Replacement
 18. High Pressure Relief Valve Service
 19. Converting R-12 Systems to R134a
- ** Service Oil Information

This service manual has been prepared by Sanden International (USA), Inc. It includes information on application, troubleshooting, and repair of automotive air conditioning compressors manufactured by Sanden Corporation and its subsidiaries, in accordance with the appropriate SAE standards for mobile air conditioning. Service operations not described in this manual are not authorized for Sanden compressors. For further information contact your nearest Sanden representative.

Compressor Models

1. Model Conversions

TYPE	R-12	R134a
5 Cylinder	SD-505	SD7B10 / SD5H09
	SD-507	SD5H11
	SD-508	SD5H14
	SD-510	SD7H15HD and SD5H14HD
7 Cylinder	SDB-706	SD7B10
	SD-708	SD7H13
	SD-709	SD7H15
	SDB-709	SD7B15

COMPRESSOR NOMENCLATURE

2. Identification

R-12 Compressors

SD	--	7	09
-----------	-----------	----------	-----------

 Sanden reciprocating wobble plate compressors	 Number of Cylinders	 Approximate displacement, in cubic inches
---	-------------------------	--

SD	7	H	15	HD
-----------	----------	----------	-----------	-----------

 Sanden reciprocating wobble plate compressors	 Number of cylinders	 Port location (H if on head, B if on body)	 Approximate displacement, in cubic centimeters (divided by 10)	 Heavy Duty (HD) or Sealed Heavy-duty (SHD) clutch
--	----------------------------	--	--	--

CAUTIONARY INFORMATION

3.1 Pressure Release

Before disconnecting any lines, always make sure refrigerant has been removed from the A/C system by recovering it with the appropriate recovery equipment.

When working on compressors, separate from the system, always be sure to relieve internal pressure first. Internal compressor pressure can be relieved by removing the oil plug (if necessary) or by removing shipping caps / pads from both ports.

3.2 Recovery of Refrigerant

Never discharge refrigerant to the atmosphere. Always use approved refrigerant recovery / recycling equipment to capture refrigerant which is removed from the A/C system. Do not mix refrigerants in the same piece of equipment; one should be designated for R-12 and another for R134a.

3.3 Handling of Refrigerant

Always wear eye and hand protection when working on an A/C system or compressor. Liquid refrigerant can cause frostbite and / or blindness.

3.4 Ventilation

Keep refrigerants and oils away from open flames. Refrigerants can produce poisonous gasses in the presence of a flame. Work in a well-ventilated area.

3.5 Avoid Use of Compressed Air

Do not introduce compressed air into an A/C system due to the danger of contamination.

3.6 Warranty for Recycled Refrigerant

The warranty offered by Sanden International (U.S.A.), Inc., on air conditioning compressors when used with recycled refrigerant will be the same as for new refrigerant provided that the following SAE standards are met:

	R-12	R134a
Refrigerant Purity	J1990	J2099
Recycling Machine	J1989	J2210

Recycling machines must be validated to the appropriate SAE standard by Underwriters Laboratories. Recycled refrigerant from other sources must meet the appropriate ARI standards. Failure to comply with these provisions may void any warranty on the compressor.

R134a INFORMATION

4.1 R134a / PAG Oil Handling Precautions

As a conscientious member of the global community, Sanden Corporation with its subsidiaries is committed to the elimination of CFC-based refrigerants. This manual focuses on service information for Sanden compressors intended for use with R134a and PAG oils.

4.1 (Cont.)

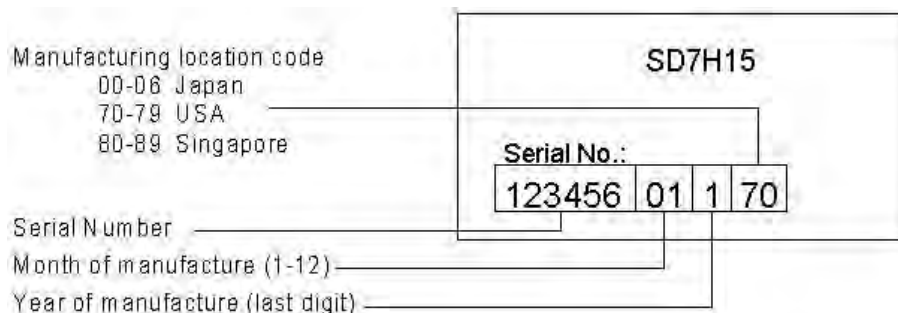
1. Always follow safety precautions described in Section 3.
2. Do not discharge R134a into the atmosphere. Even though its ozone depletion potential is zero, it does have global warming potential. Recovery and recycling are mandated by the Clean Air Act. Use recovery equipment designated only for R134a. Never introduce another refrigerant into the R134a equipment.
3. Never mix R134a with other refrigerants or A/C systems failure is likely to occur.
4. Use only Sanden specified PAG lubricants for R134a systems using Sanden compressors. If other lubricants are used, A/C system failure is likely to occur.
5. Never introduce R134a or PAG oil into a system not designed for them except when following the appropriate retrofit procedure described in Section 19.
6. The Sanden specified PAG oils used in R134a systems absorb atmospheric moisture very quickly. Moisture in the A/C system can cause major damage or failure.
 - Never leave PAG oil exposed to air for a prolonged time. Tightly reseal the oil container immediately after each use.
 - During A/C system repair, cap all fittings as soon as opened and leave capped until just before they are reconnected.
 - If a repair is performed on an R134a compressor or system, evacuate the system for at least 45 minutes before recharging to ensure the removal of moisture which may have been absorbed by the PAG oil in the compressor and system.

4.2 Table of Saturation Temperatures and Pressures

Temp.(°F)	Pressure (psig)	Temp.(°F)	Pressure (psig)	Temp.(°F)	Pressure (psig)
-40	-7.2 in. Hg	25	22	105	135
-30	-4.8 in. Hg	30	26	110	147
-20	-1.7 in. Hg	40	35	115	159
-15	0	50	45	120	172
-10	2	60	57	130	200
-5	4	70	71	140	231
0	6	80	85	150	264
5	9	85	95	160	301
10	12	90	104	180	3
15	15	95	114	200	485
20	18	100	124	210	549

COMPRESSOR IDENTIFICATION

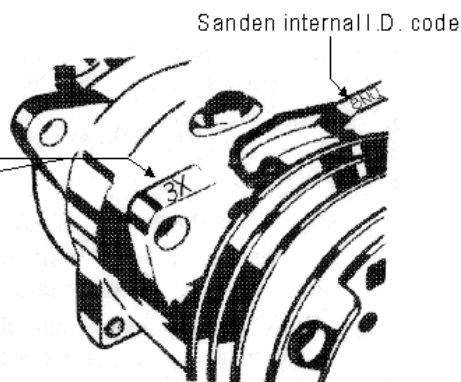
5.1 Label



5.2 Manufacturing Date Codes Stamped on Compressor - Manufactured in USA Only

Manufacturing date codes are stamped on the mounting e or boss at the front left of the compressor as seen when facing the clutch, with oil plug or adaptor up.

Year of manufacture (first digit):
(i.e. 3 indicates manufacture in 1993)
Month of manufacture (last digit):
Jan. - Sept.: 1 - 9
Oct.: X
Nov.: Y
Dec.: Z



COMPRESSOR SPECIFICATIONS

6.1 Belt Tension

Grooves	Tension, lb (kgf)
A	121 ± 5 (55 ± 2)
B	132 ± 5 (60 ± 2)
C	132 ± 5 (60 ± 2)
M	132 ± 5 (60 ± 2)
PV4	132 ± 5 (60 ± 2)
PV6	198 ± 5 (90 ± 2)

(PolyVee tension based on 33 lb (15kgf) per groove).

6.2 Speed Rating

Model	Clutch Type	Maximum RPM	
		Constant	Downshift
SD5H14	Std.	6,000	7,000
SD5H14	HD	4,000	6,000
SD7B10	All	6,000	7,000
SD7H13	All	6,000	8,000
SD7H15	Std.	6,000	8,000
SD7H15	HD	4,000	6,000
SD7H15	SHD	4,000	4,000

6.3 Basic Compressor Specifications

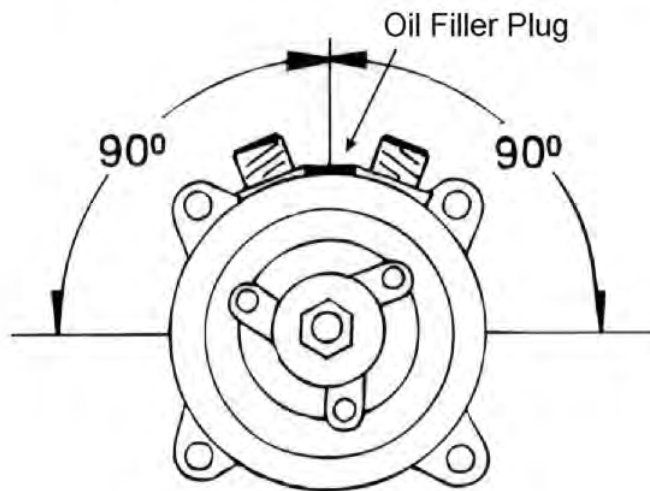
Model	Refrigerant	Displacement cu.in. (cc)	Typical Weight, lb. (kg.)			Standard Oil Charge			Rotation
			Compressor	Clutch	Assembly	Oil Type	System Type	Amount fl. oz. (cc)	
SD5H14	R134a	8.4 (138)	11.2 (5.1)	6.0 (2.7)	17.2 (7.8)	SP-20	TXV	7.2±0.5 (210±15)	Either Way
							CCOT	No standard	
SD7B10	R134a	6.1 (100)	5.9 (2.7)	3.3 (1.5)	9.2 (4.2)	SP-10	TXV	No standard	CW (Clock wise only)
SD7H13	R134a	7.9 (129)	9.3 (4.2)	4.6 (2.1)	13.9 (6.3)	SP-20	TXV	4.6±0.5 (135±15)	CW (Clock wise only)
SD7H15 /HD	R134a	9.5 (155)	9.9 (4.5)	5.3 (2.4)	15.2 (2.4)	SP-20	TXV	4.6±0.5 (135±15)	CW (Clock wise only)
							CCOT	8.1±0.5 (240±15)	
SD7H15 /SHD	R134a	9.5 (155)	9.9 (4.5)	7.7 (3.5)	17.6 (8.0)	SP-20	TXV	4.6±0.5 (135±15)	CW (Clock wise only)
							CCOT	8.1±0.5 (240±15)	

6.4 Assembly Torques

Item	ft -lb	N-m	kgf-cm
Armature retaining nut, 1/2" - 20	22.4 ± 2.9	30.4 ± 3.9	310 ± 40
Armature retaining nut, M8	13.0 ± 2.2	17.7 ± 2.9	180 ± 30
Cylinder head bolts, M6	10 ± 2.2	13.7 ± 2.9	140 ± 30
Cylinder head bolts, M8	25.3 ± 3.6	34.3 ± 4.9	350 ± 50
Oil filler plug	14.5 ± 13.6	19.6 ± 4.9	200 ± 50
Hose fitting 1" - 14 rotolock	26.7 ± 2.9	36.3 ± 3.9	370 ± 40
7/8" Tube-O	23.9 ± 2.9	32.4 ± 3.9	330 ± 40
3/4" Tube - O	17.3 ± 2.5	23.5 ± 3.4	240 ± 35
Pad fitting bolt, M10	28.9 ± 2.9	39.2 ± 3.9	440 ± 40
Pad fitting bolt 3/8" -24	28.9 ± 2.9	39.2 ± 3.9	440 ± 40
Pad fitting bolt, M8	26.3 ± 2.9	34.3 ± 3.9	350 ± 40
Clutch lead wire clamp screw	11 ± 3 in•lb	1.3 ± 0.3	13 ± 3
High pressure relief valve	7.2 ± 1.4	9.8 ± 2.0	100 ± 20
Thermal protector switch clamp bolt	7.2 ± 2.2 - 1.4	9.8 ± 2.9 - 2.0	100 ± 30 - 20
Clutch dust cover screws (6 - M5)	6.5 ± 1.4	9 ± 2	90 ± 20
Clutch dust cover screws (3 - 1/4" - 20)	2.7 ± 0.9	3.6 ± 1.2	37 ± 12

6.5 Acceptable Mounting Angles

All SD - R134a Compressors



CYLINDER HEAD / PORTING GUIDE

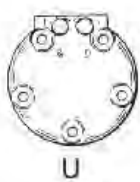
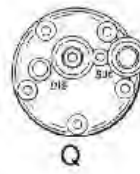
7. SD R143a COMPRESSOR SERIES

For SD5H14, SD7H13, SD7H15 and SD7H15HD / SHD Units

Sanden Service Kit Part No.	Name	Position on Cylinder head	Hose Port Information			SD Compressor Series			
			Suction Port Dimension/Type	Discharge Port Dimension/Type	TPS or Switch?	5H14	7H13	7H15	7H15 HD/SHD
9580-9630	C	Vertical	Tube-O 1" - 14 rotolock	Tube-O 1" - 14 rotolock	No	X			
TDB	FL	Vertical	Tube-O #10 (7/8")	Tube-O #8 (3/4")	No	X			
9034-9630	K	Horizontal	Tube-O #10 (7/8")	Tube-O #8 (3/4")	No	X			
9699-9630*	M	Horizontal	Tube-O 1" - 14 rotolock	Tube-O 1" - 14 rotolock	No	X			
9150-9630*	Q	Horizontal	GM Pad, 3/8" - 24 Bolt	GM Pad, 3/8" - 24 Bolt	No	X			
9695-9630*	QH	Horizontal	GM Pad, 3/8" - 24 Bolt	GM Pad, 3/8" - 24 Bolt	Yes	X			
9298-9630*	U	Vertical	Pad-M10 x 1 Bolt	Pad-M10 x 1 Bolt	No	X			
9517-9630*	UB	Vertical	Pad-M10 x 1.25 Bolt	Pad-M10 x 1.25 Bolt	No	X			
9516-9630*	UB	Horizontal	Pad-M10 x 1.25 Bolt	Pad-M10 x 1.25 Bolt	No	X			
7412-9630	CB	Vertical	Tube-O 1" - 14 rotolock	Tube-O 1" - 14 rotolock	No		X	X	X
7832-9630	JD	Vertical	Tube-O #10 (7/8")	Tube-O #8 (3/4")	No		X	X	X
7863-9630	JE	Vertical	Tube-O #10 (7/8")	Tube-O #8 (3/4")	No		X	X	X
7862-9630	KG	Horizontal	Tube-O #10 (7/8")	Tube-O #8 (3/4")	No		X	X	X
7406-9630*	MD	Horizontal	Tube-O 1" - 14 rotolock	Tube-O 1" - 14 rotolock	No		X	X	X
7433-9630	QC	Horizontal	GM Pad, 3/8" - 24 Bolt	GM Pad, 3/8" - 24 Bolt	No		X	X	X
7484-9630	QD	Horizontal	Pad-M10 x 1.25 Bolt	Pad-M10 x 1.25 Bolt	No		X	X	X
7200-9631	UK	Vertical	Pad-M10 x 1.25 Bolt	Pad-M10 x 1.25 Bolt	No		X	X	X

A) Sanden R134a compressors do not offer the option of charging valves on the compressor.

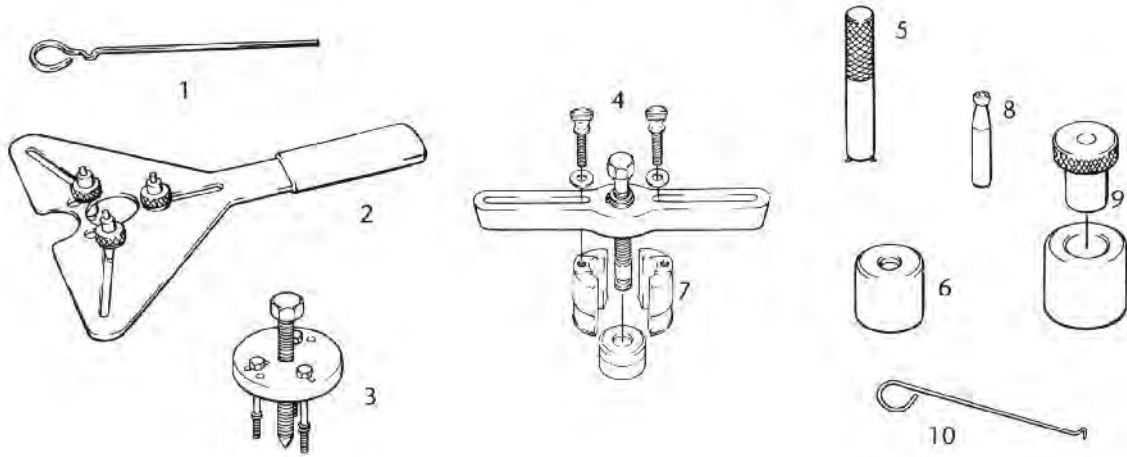
B) * Indicates that a compressor featuring this cylinder head should not be mounted with the suction port at the bottom.



SERVICE TOOLS

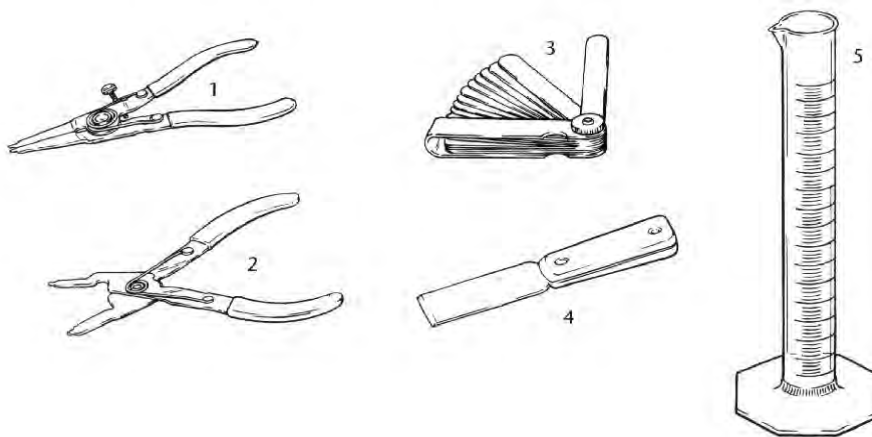
8.1 Special Service Tools

These tools can be obtained from your local tool supplier.



1. Oil Dipstick	5. Lip Seal / SD7 Seal Plate Tool	9. Rotor Installation Driver
2. Armature Plate Spanner	6. Armature Driver	10. O-Ring Hook
3. Armature Plate Puller	7. Rotor Puller Jaws	
4. Rotor Puller Set	8. Shaft Seal Protective Sleeve	

8.2 Standard Tools



1. External Snap Ring Pliers	4. Gasket Scraper
2. Internal Snap Ring Pliers	5. Graduated Cylinder
3. Feeler Gauges	

SERVICE PROCEDURES

9. TROUBLESHOOTING CHART

This chart refers specially to the Sanden compressor. During diagnosis follow the inspection procedures in the sequence shown until a defect is found. Then perform the repair in the Cause and Remedy Section. If this repair does not fully solve the problem, proceed to the next inspection step.

Symptom	Problem Diagnosis and Inspection		Cause and Remedy	
LACK OF COOLING	Smooth Running Compressor	1 Valve Plate Test 12	Replace or Repair: Broken Head or Block Gasket Broken or Deformed Reed Valve Foreign Substance Under Reed Valve or Gasket 22 to 25	
		1 Check for low Refrigerant Charge		
	Unusually low suction and discharge pressure	2 Leak Check Compressor 9	Replace or Repair: Shaft Seal Leak Cylinder Head Leak Gasket Leak Oil Filler Plug Leak Cracked Cylinder Block Front Housing O-Ring Leak 20 to 25	
		3 Leak Check and Diagnose System (See System Service Manual)		
	Intermittent or Inoperative	1 Check Belt Tension 4	Adjust Air Gap 20	
		2 Check Clutch Air Gap 11		
	Rough Running or Intermittent or Inoperative	3 Check Clutch Volts, Amps, Coil Lead Wire 10	Replace or Repair: Broken Lead Wire Clutch Coil Defect - Internal System Ground (See System Manual) 17 to 20	
		4 Shaft Turning Smoothness Test 10	Compressor Failure - Internal	
	Unusual Noise	Clutch engaged	1 Check Compressor Mounting Components 11	Adjust Air Gap - Defective Coil 20
			2 Check Engine Components 11	
Clutch disengaged "chattering"		3 Check for Intermittent or Slipping Clutch 10	Recharge and Recheck	
		4 Check for Proper Refrigerant Charge	Replace Rotor/Armature Assembly 17-19	
		5 Check Clutch Bearing 10	Restore to Proper Level 19	
		6 Oil Level Procedure 9	Compressor Failure (Internal)	
		7 Shaft Turning Smoothness Test 10	Replace or Repair: Broken Discharge Valve Reed or Retainer Broken Suction Valve Reed Broken Gasket 22 to 25	
		8 Remove Valve Plate and Inspect 23	Replace or Repair: Adjust Air Gap Defective Clutch Pulley or Front Plate 17 to 20	

INSPECTION PROCEDURES

10.1 Leak Checking

1. **Visual Inspection** - Although oil seepage does not necessarily indicate leakage of refrigerant, it should be considered a sign that a leak may exist. Look for the following items:
 - Oil seepage in shaft seal area (between clutch and compressor) - repairable.
 - Pinching or extrusion of front housing O-ring - nonrepairable.
 - Oil around cylinder head (gaskets, service valves, fittings) - repairable.
 - Oil around oil plug - repairable.
 - Stripped threads - nonrepairable.
 - Oil around crack in compressor body - nonrepairable.
2. **Soap Bubble Detection** - Any leak showing up as bubbles on the compressor will require repair.
3. **Shop Type Electronic Detectors**
 - Ensure that the detector being used is sensitive to R134a refrigerant. Many leak detectors intended for R-12 cannot detect R134a leaks.
 - Use the leak detector in accordance with the manufacturer's instructions.
 - The leak rate at any portion of the compressor should not exceed 1.0 oz./yr. Make sure that a suspected leak is an actual flow of refrigerant, not a small pocket of refrigerant trapped in a recess. Cleaning the suspect area with soap and water (never a solvent) or blowing off the area with compressed air can help confirm a suspected leak.
 - Leak check procedures should be in accordance with SAE J1628.
4. **Leak Detection Dyes** - The use of leak detection dyes is not recommended by Sanden as their chemical compositions are proprietary and their effects on Sanden oils and elastomers are unknown at this time.

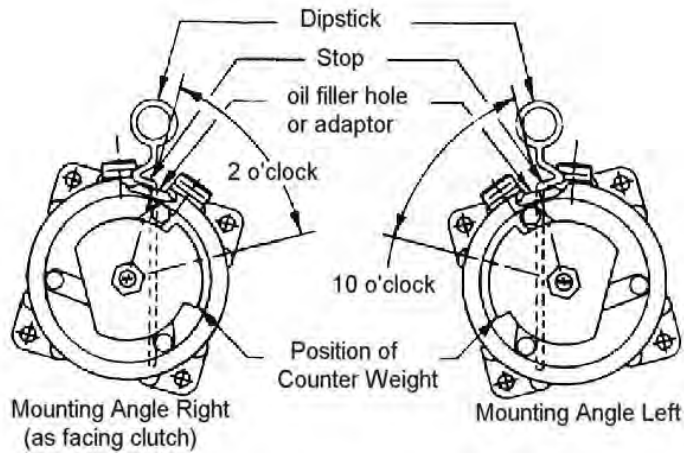
10.2 Oil Level Measurement (In Vehicle)

Oil level in the compressor should be checked when a system component has been replaced, when an oil leak is suspected, or when it is specified as a diagnostic procedure.

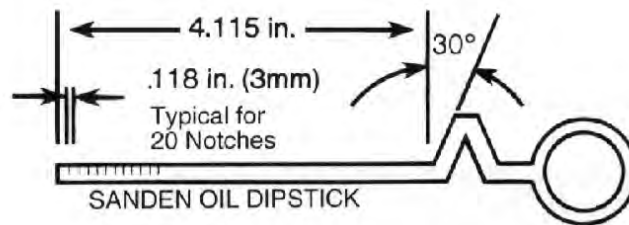
1. Run the compressor for 10 minutes with the engine at idle.
2. Recover all refrigerant from the system, slowly so as not to lose any oil.
3. Determine the mounting angle of the compressor from horizontal (i.e., oil plug or adapter on top). This is most readily done by using a machinist's universal level, if access to the compressor permits.

10.2 (Cont.)

- Remove the oil filler plug. Using a socket wrench on the armature retaining nut, turn the shaft clockwise until the counterweight is positioned as shown.



- Insert oil dipstick up to the stop, as shown in the figure above, with the angle pointing in the correct direction.



- Remove dipstick and count number of notches covered by oil.
- Add or subtract oil to meet the specifications shown in the table.
- Reinstall oil plug. Seat and O-ring must be clean and not damaged. Torque to 11-15 ft•lb (15-20 N•m, 150-200 kgf•cm).

Mounting Angle (Degrees)	Acceptable oil level in increments	
	SD5H14	SD7H15
0	3-5	5-7
10	4-6	6-8
20	5-7	7-9
30	6-8	8-10
40	7-9	9-11
50	8-10	10-12
60	8-10	11-13
90	8-10	16-18

10.3 Shaft Turning Smoothness Inspection

1. If on vehicle, remove refrigerant from A/C system and disconnect hoses.
2. If on bench, uncap fittings.
3. Using a socket wrench on the armature retaining nut, turn the shaft clockwise only.
4. If severe rough spots or catches are felt while turning shaft, the compressor has been damaged internally and must be replaced.

10.4 Clutch Inspection

1. Measure voltage at clutch. Low voltage at the clutch may be due to poor ground or power connection, or problems with the vehicle electrical system. Check for tight fit of field coil retaining snap ring.
2. Measure current draw when clutch is engaged. Normal current should be 3.6 - 4.2A at 12VDC.
 - Overcurrent- Short circuit within field coil or in compressor circuit.
 - No current - Open circuit.
 - If a short or open is found in the field coil, it must be replaced.
3. Air Gap
 - Clutch air gap should be 0.016 - 0.031 in (0.4 - 0.8 mm). Measure with a feeler gauge.
 - Adjust as per Section 14.6
4. Suspected Clutch Rotor Bearing Noise
 - Remove drive belt.
 - With clutch disengaged, rotate pulley by hand. If excessive roughness or wobble is found, replace the clutch rotor assembly.

10.5 Unusual Noise Not due to Compressor

Unusual noises may be caused by components other than the compressor.

1. Compressor Mounting - Check for:
 - Loose belt - see belt tension specifications.
 - Broken bracket or compressor mounting ear. Replace broken component.
 - Missing, broken, or loose mounting bolts. Replace, reinstall, or tighten.
 - Flush fit of compressor to bracket and vehicle engine. Replace any part not properly fitted.
 - Loose or wobbling crankshaft pulley. Check for damage to pulley, incorrect center bolt torque or center bolt bottoming. Repair to vehicle manufacturer's specifications.
 - Bad idler pulley bearing. Replace if necessary.
2. Other Engine components - Check for noise in:
 - Alternator bearing
 - Air pump (if present)
 - Water pump bearing
 - Valves
 - Timing belt or chain
 - Power steering pump (if present)
 - Loose engine mount bolts.

10.6 Unusual Noises Due to Compressor

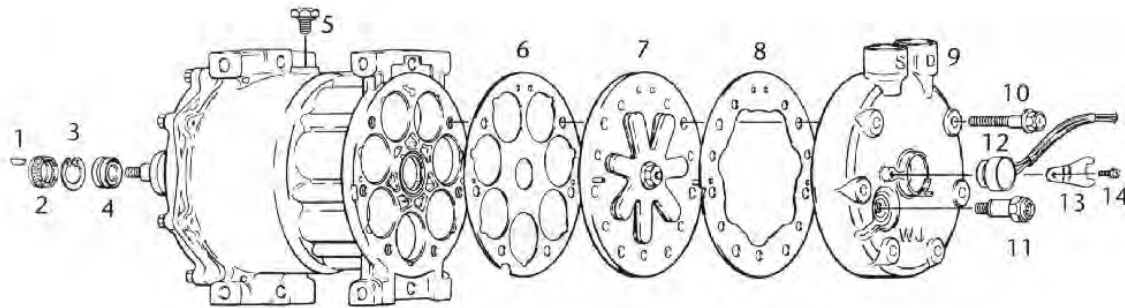
1. Suction pressure less than about 5 psig can cause unusual noise. Charge refrigerant to proper amount and test by applying heat to evaporator to increase suction pressure.
2. Clutch bearing--See clutch Inspection in section 10.4
3. Oil level--insufficient oil can cause unusual noise. See Oil Level Check Procedure in Section 10.2.
4. Valve Noise--test for valve plate assembly failure per Valve Plate Test Procedure in Section 10.7.

10.7 Valve Plate Test

1. Suction or discharge valve breakage will cause a clacking sound at idle.
2. If head gasket failure occurs, discharge pressure will be low and suction pressure will be high at idle.
3. Valve and gasket condition can be checked as follows:
 - Connect gauge set to suction and discharge service valves.
 - Run compressor for 5 minutes at idle and stop.
 - Observe time for discharge pressure and suction pressure to equalize. If less than 2 minutes, in a TVX system, a valve or gasket may be damaged. CCOT systems will equalize more quickly.

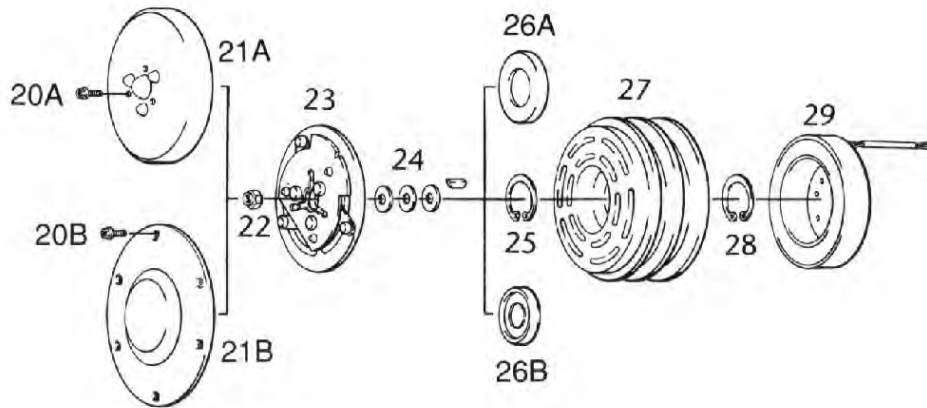
FIELD REPLACEABLE PARTS

11.1 Compressor



1. Shaft Key*	7. Valve Plate Assembly*	13. TPS Clip (Optional)
2. Felt Ring*	8. Head Gasket*	14. TPS Screw (Optional)
3. Shaft Seal Snap Ring*	9. Cylinder Head*	15. Shaft Seal Kit - 2, 3 & 4
4. Lip Seal with O-ring*	10. Cylinder Head Bolt	16. Valve Plate Kit - 6, 7 & 8
5. Oil Plug	11. Pressure Relief Valve (Optional)	17. Cylinder Head Kit - 8 & 9
6. Block Gasket*	12. Thermal Protector Switch (Optional)	18. Gasket Kit - 6 & 8

11.2 Clutch



20A. Armature Dust Cover Screw (SD-5)	23. Armature Plate*	27. Rotor Assembly*
20B. Armature Dust Cover Screw (SD-7)	24. Clutch Shims*	28. Field Coil Assembly Snap Ring*
21A. Armature Dust Cover (SD-5)	25. Rotor Snap Ring*	29. Field Coil Assembly
21B. Armature Dust Cover (SD-7)	26A. Rotor Bearing Dust Cover (SD-5)	30. Accessory Kit - 1, 22, 24, 25 & 28
22. Shaft Nut*	26B. Rotor Bearing Dust Cover (SD-7)	31. Armature / Rotor Assembly Kit - 23 & 27

*Sold in kits only.

Service Operations - General Information

12. General Service Information

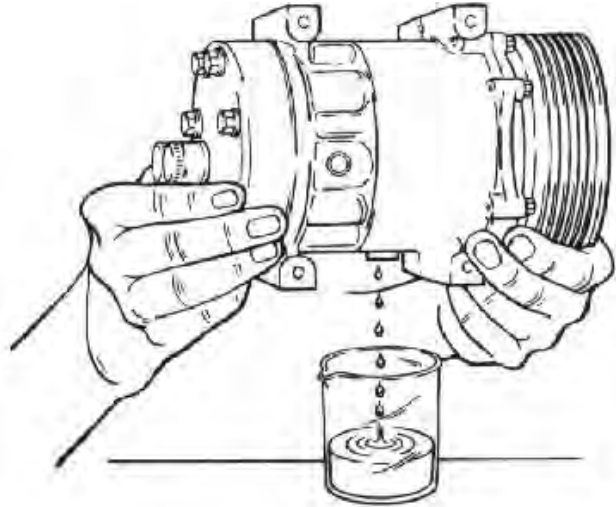
It is recommended that a new receiver-drier or accumulator-drier be installed if a compressor is replaced or an internal repair is made.

- Keep dirt and foreign material from getting on or into the compressor or the A/C system. The area around the A/C hose fittings should be carefully cleaned with a non-petroleum based solvent before the connections are broken. All parts to be reused or installed should be cleaned with a non-petroleum based solvent and blown dry with clean compressed air or lint-free cloths.
- Trouble-free installation and operation of an SD compressor require:
 - Correct pulley alignment
 - Correct fit of compressor mounting surfaces to the bracket and correct fit of the bracket to the engine. Clearance between compressor and bracket should not exceed 0.2mm (0.008in) per ear for ear-mount compressors or 0.4mm (0.016in) total for 2 ears.
 - Correct torque of all mounting bolts and nuts
 - Correct drive belt tension
- Never operate the compressor at high speed or for a prolonged time without a sufficient refrigerant charge in the system. Probable results are overheating, internal damage and seizure.
- If an internal repair is performed on an R134a compressor, evacuate the A/C system for at least 45 minutes before recharging to remove moisture which may have been absorbed by the PAG oil in the compressor.
- Parts which require lubrication before assembly, such as O-rings, should be lubricated with **clean 5GS** refrigerant oil

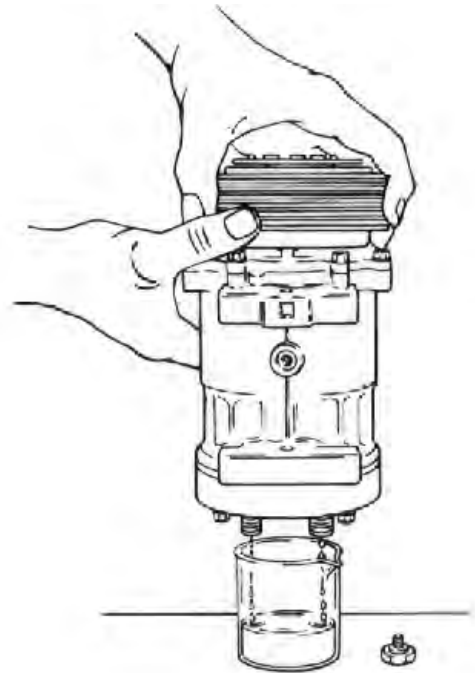
Service Operations - Oil Charging

13.1 Compressor Repaired Internally and Reinstalled in the System

1. Before any internal repair is done, drain the oil from the compressor.
 - Remove the oil plug and drain as much oil as possible into a suitable container.
 - Remove the caps (if present) from suction and discharge ports
 - Drain oil from the suction and discharge ports into a suitable container while turning the shaft clockwise only with a socket wrench on the armature retaining nut.

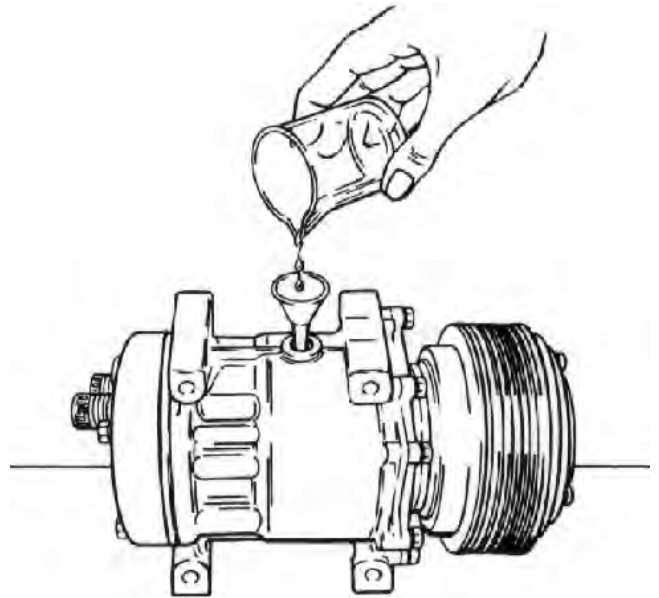


2. Measure and record the amount of oil drained from the compressor.
3. Inspect the oil for signs of contamination such as discoloration of foreign material.
4. Perform repair to the compressor.



13.1 (Cont.)

5. Add the same amount of new oil to the compressor as was measured in step 2. Be sure to use the correct oil for the compressor as shown in Section 6.3.
6. Reinstall oil plug. Seal and O-ring must be clean and not damaged. Torque to 11-15 ft•lb (15-20 N•m, 150-200 kgf•cm). Be careful not to cross thread the oil plug.
7. It is recommended that the oil quantity be confirmed after reinstallation of the compressor to the vehicle as per Section 10.2.



13.2 Sanden Compressor Replaced by a New Sanden Compressor of the Same Type

1. Drain oil from the old compressor; measure and record the amount as per the procedure in section 12.1.
2. Drain oil from the new compressor as per section 13.1
3. Add new oil of the correct type to the new compressor as shown in section 6.3. Use the same quantity as was removed from the old compressor in step 1.
4. Reinstall oil plug. Seal and O-ring must be clean and not damaged. Torque to 11-15 ft•lb (15-20 N•m, 150-200 kgf•cm).
5. It is recommended that the oil quantity be confirmed after installation of the new compressor to the vehicle per section 10.2.

13.3 Sanden Compressor Used to Replace a Compressor of a Different Type

This section applies to replacement of another manufacturer's compressor or to the replacement of a Sanden compressor by a different model Sanden compressor. In this case, the procedure of Section 13.2 should be followed, except that the oil quantity must be confirmed after installation of the new compressor to the vehicle as shown in Section 10.2.

13.4 Oil Charge Determination for Long Hose Applications

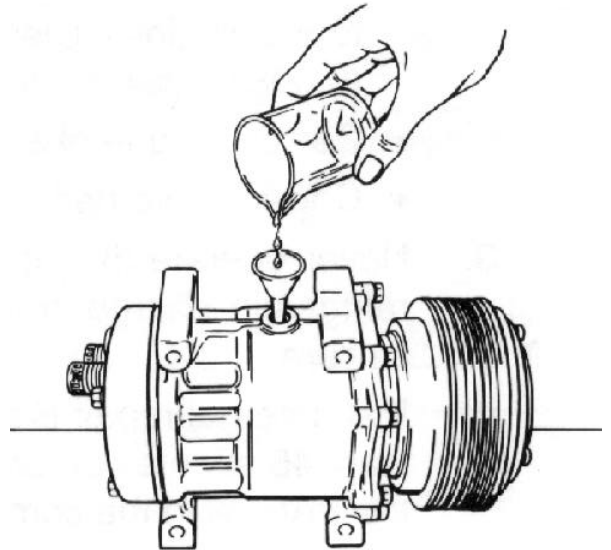
13.4.1 TXV Systems, Less than 56 oz. (1600g) Refrigerant Charge

1. The desired oil charge for the systems with unusually long hoses, such as trucks, tractors, etc., can be determined based on the total refrigerant charge when less than 56 oz. (1600g) refrigerant is used.
2. Calculate the desired oil charge as below:

SD5H14: Oil amount (fl.oz.) = (Refrigerant charge in oz. x 0.125) + 1.35. Oil amount (cc) = (Refrigerant charge in grams x 0.125) + 40.

SD7H15: Oil amount (fl.oz.) = [(Refrigerant charge in oz. x 0.06) + 2.2] ÷ 0.9. Oil amount (cc) = [(Refrigerant charge in grams x 0.06) + 60] ÷ 0.9.

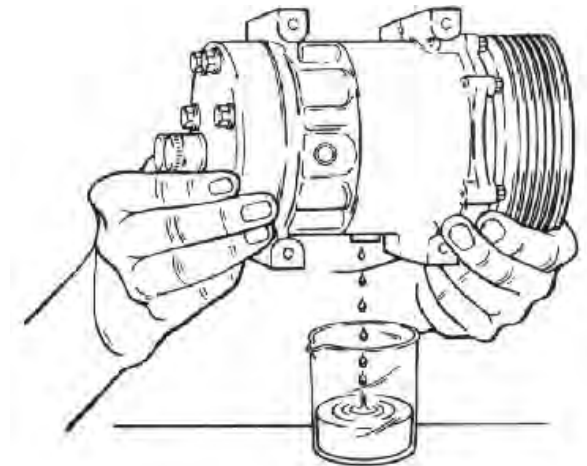
3. For a new compressor to be used in this type of system, subtract the standard oil charge shown in Section 6.3 from the desired total oil charge to determine how much oil should be added to the compressor.
4. Remove the oil filler plug and charge the compressor with the amount of additional oil determined in step 3. Use only new oil of the correct type as shown in Section 6.3.
5. Reinstall oil plug. Seat and O-ring must be clean and not damaged. Torque to 11-18 ft•lb (15-25 N•m, 150-200 kgf•cm).



13.4.2 TXV Systems, More Than 56 oz. (1600g) of Refrigerant

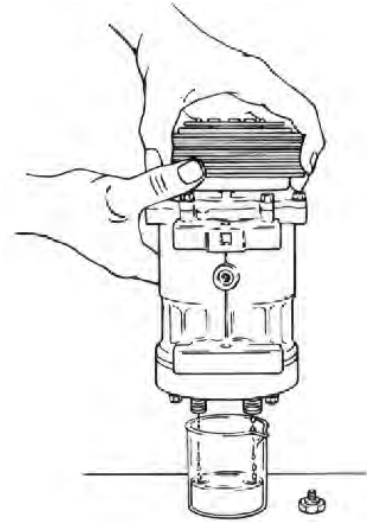
For systems with more than 56oz. (1600g) refrigerant, on-vehicle testing is required to determine oil charge.

1. Charge system with refrigerant.
2. Set up the vehicle as follows:
 - Doors open
 - Maximum blower speed
 - Ambient temp. at least 75°F (24°C).
3. Run the compressor at one of the speeds listed in the table below for 10-15 minutes.
4. While maintaining engine speed, turn off A/C system and immediately turn off engine.
5. Recover refrigerant from the system.
6. Remove compressor from vehicle.
7. Remove the oil plug and drain as much oil as possible into a suitable container.



13.4.2 (Cont.)

8. Drain oil from the suction and discharge ports into a suitable container while turning the shaft clockwise only with a socket wrench on the armature retaining nut.
9. Measure and record the volume of the oil drained from the compressor.
10. Approximately 0.5 fl.oz. (15cc) will remain in the compressor as a film coating the internal surfaces. Add 0.5 fl.oz. (15cc) to the recorded volume of the oil. This is the calculated amount of oil in the compressor.

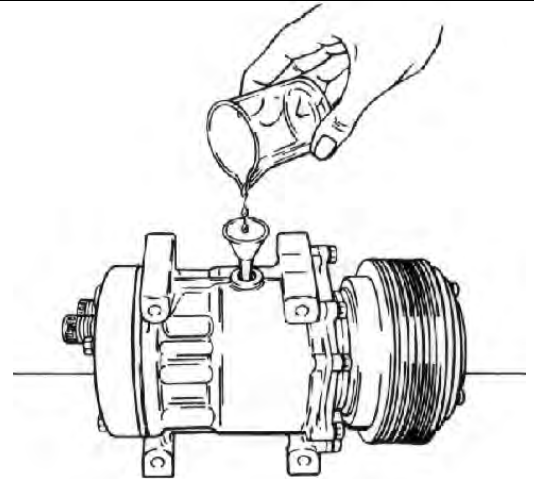


11. The amount of oil in the compressor after running for 10-15 minutes should be as per the table at right, if the proper amount of oil was in the system. Determine from the table what the correct amount of oil should be for the particular speed used in step 3. (The table shown applies to SD5H14 compressors. Other compressors will exhibit a lesser oil amount dependent upon type. It is important that a quantity of oil remains in the crankcase after the test.)

Comp. RPM	Oil in compressor	
	fl.oz	cc
1,000	3.4	100
2,000	2.5	75
3,000	1.7	50
4,000	1.3	40
5,000	1.2	35

- Vehicle doors open
- Maximum blower speed
- Ambient temperature at least 75°F

12. Compare the desired amount of oil as determined in step 11 with the calculated actual amount of oil in the compressor, which was determined in step 10. If the amount of oil actually in the compressor [amount drained plus 0.5 fl.oz. (15cc)] is less than the desired amount of oil, add oil as necessary to the container and pour back into the compressor. If the amount of oil actually in the compressor is too much, remove oil from the container until the correct amount is reached, and pour back into compressor. the amount of oil poured back into the compressor should equal the desired amount (from the table), minus 0.5 fl.oz. (15cc). Use the correct oil type as per Section 6.3.
13. Reinstall oil plug. Seal and O-ring must be clean and not damaged. Torque to 11-15 ft•lb (15-20 N•m, 150-200 kgf•cm).



13.5 Oil Retained in System Components

For reference, the amount of oil typically retained in other system components after running at 100 rpm compressor speed is shown at right. These volumes will of course vary with different designs of the components and compressor speeds prior to shut down.

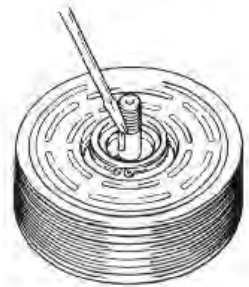
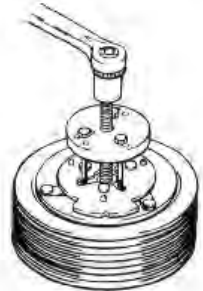
Component	Typical oil amount	
	fl. oz.	cc
Evaporator	2.0	60
Condenser	1.0	30
Receiver - Drier	0.5	15
Accumulator	2.0	60
Hoses (normal length)	0.3	10

SERVICE OPERATIONS - CLUTCH

14.1a Keyed Shaft Armature Removal

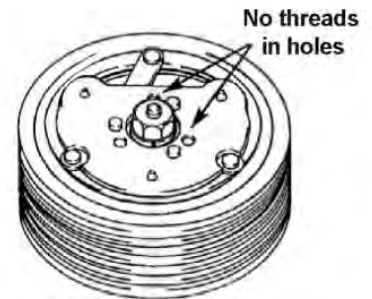
(Note: Keyed shaft can be identified in that the holes for the armature plate spanner will have threads in them.)

1. If armature dust cover is present, remove the 3 or 6 bolts holding it in place and remove cover. If auxilliary sheet metal pulley is present, remove the screws holding it in place. Then remove pulley.
2. Insert pins of armature plate spanner into threaded holes of armature assembly.
3. Hold armature assembly stationary while removing retaining nut with 3/4", 19mm or 14mm socket wrench, as appropriate.
4. Remove armature assembly using puller. Thread 3 puller bolts into the threaded holes in the armature assembly. Turn center screw clockwise until armature assembly comes loose.
5. If shims are above shaft key, remove them now. If shims are below shaft key, the key and bearing dust cover (if present) must be removed before shims can be removed.
6. Remove bearing dust cover (if present). Use caution to prevent distorting cover when removing it.
7. Remove shaft key by tapping loose with a flat blade screwdriver and hammer.
8. Remove shims. Use a pointed tool and a small screwdriver to prevent the shims from binding on the shaft.



14.1b Spline Shaft Armature Removal

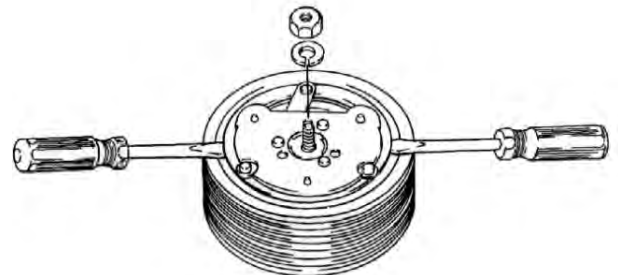
(Note: Spline shaft can be identified in that the holes for the armature plate spanner will not have threads in them.)



1. If armature dust cover is present, remove the 3 or 6 bolts holding it in place and remove cover. If auxillary sheet metal pulley is present, remove the screws holding it in place. Then remove pulley.
2. Insert pins of armature plate spanner into threaded holes of armature assembly.
3. Hold armature assembly stationary while removing retaining nut with 3/4", 19mm, or 14mm socket wrench, as appropriate.
4. Lift off armature plate with fingers. If armature does not come off easily, spray an anti seize oil into shaft to loosen. Armature plate can also be loosened by gently prying between rotor and armature plate with two flat screwdrivers.

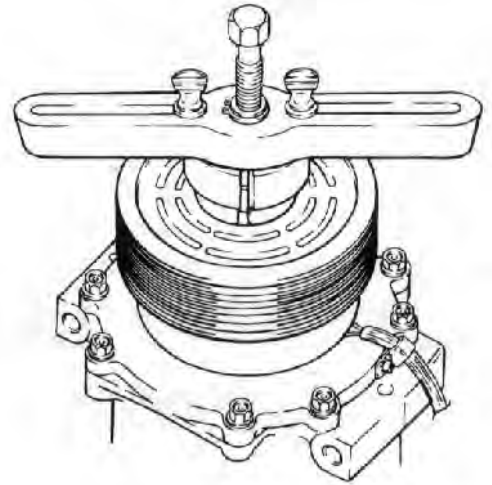


5. If shims are above shaft key, remove shims. If shims are below shaft key, the key and bearing dust cover (if present) must be removed before the shims can be removed.
6. Remove bearing dust cover (if present). Use caution to prevent distorting cover when removing it.
7. Remove shims. Use a pointed tool and a small screwdriver to prevent the shims from binding on the shaft.



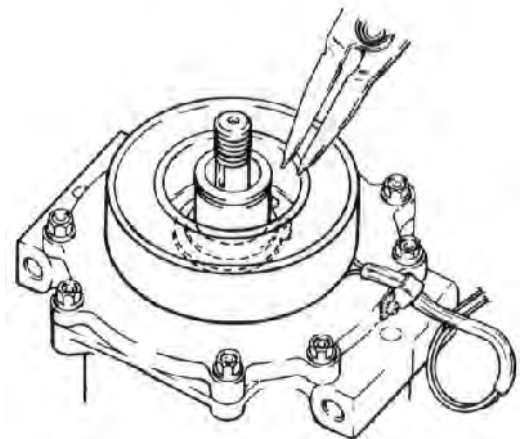
14.2 Rotor Assembly Removal

1. If bearing dust cover has not been removed, remove it now. See step 6 of Section 14.1, for Armature Assembly Removal.
2. If internal snap ring for bearing is visible above the bearing, remove it with internal snap ring pliers.
3. Remove rotor snap ring.
4. Remove shaft key.
5. Remove rotor pulley assembly:
 - Insert the lip of the jaws into the snap ring groove.
 - Place rotor pulley shaft protector (Puller set) over the exposed shaft.
 - Align thumb screws to puller jaws and finger tighten. Turn puller center bolt clockwise using a socket wrench until rotor pulley is free.



14.3 Field Coil Assembly Removal

1. Loosen lead wire clamp screw with #2 Phillips screwdriver until wire(s) can be slipped out from under clamp.
2. Undo any wire connections on the compressor which would prevent removal of the field coil assembly.
3. Remove snap ring.
4. Remove the field coil assembly.

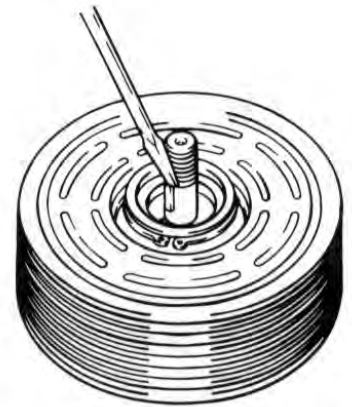


14.4 Field Coil Assembly Installation

Reverse the steps of Section 14.3. Protrusion on underside of coil ring must match hole in front housing to prevent movement and correctly locate lead wire(s).

14.5 Rotor Assembly Installation

1. Place compressor on support stand, supported at rear end of compressor. If the compressor must be clamped in a vise, clamp only on the mounting ears, never on the body of the compressor.
2. Set rotor squarely over the front housing boss.
3. Place the rotor installer ring into the bearing bore. Ensure that the edge rests only on the inner race of the bearing, not on the seal, pulley, or outer race of the bearing.
4. Place the driver into the ring and drive the rotor down onto the front housing with a hammer or arbor press. Drive the rotor against the front housing step. A distinct change of sound can be heard when using the hammer to install the rotor.
5. Reinstall rotor bearing snap ring, if it has been removed, with internal snap ring pliers.
6. Reinstall rotor retaining snap ring with external snap ring pliers. If a bevel is present on the snap ring, it should face up (away from the body of the compressor).
7. Reinstall rotor bearing dust cover (if present) by gently tapping it into place.



14.6 Armature Assembly Installation

1. Install shaft key with pliers.
2. Install clutch shims. NOTE: Clutch air gap is determined by shim thickness. When installing a clutch on a used compressor, try the original shims first. When installing a clutch on a compressor that has not had a clutch installed before, first try 0.04", 0.02", and 0.004" (1.0, 0.5, 0.1 mm) shims.



Sólo para eje con cuñero

14.6 (Cont.)

3. Align keyway in armature assembly to shaft key. Using driver and a hammer or arbor press, drive the armature assembly down over the shaft until it bottoms on the shims. A distinct sound change will be noted if driving with a hammer.

4. Replace retaining nut and torque to specification.

1/2-20: 20-25 ft•lb (27-34 N•m, 270-350 kgf•cm)

M8: 11-15 ft•lb (15-21 N•m, 150-210 kgf•cm)

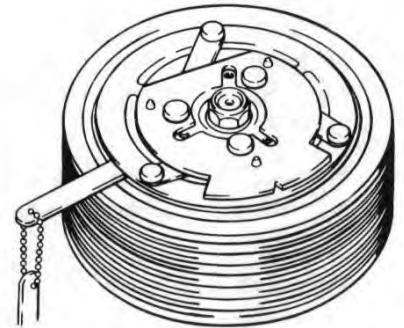
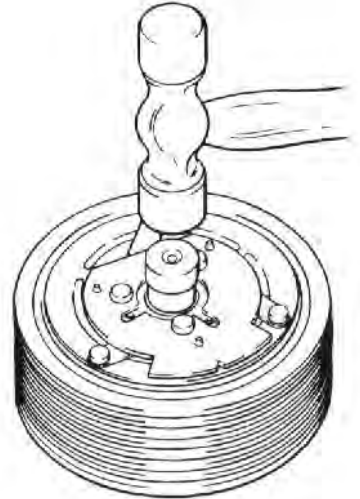
5. Check air gap with feeler gauge. Specification is 0.016" -0.031" (0.4 - 0.8mm). If gap is not even around the clutch, gently tap down at the high spots. If the overall gap is out of spec., remove the armature assembly and change the shims as necessary.

6. Replace armature dust cover (if used) and torque 3 or 6 bolts to specification below.

3 - 1/4-20 bolts (SD-5): 2-4 ft•lb (2-5 N•m, 25-50 kgf•cm)

6 - M5 bolts (SD-7): 5-8 ft•lb (7-11 N•m, 70-110 kgf•cm)

***Note: Over torque of SD508/SH14 dust cover bolts will cause air gap to become out of spec.**

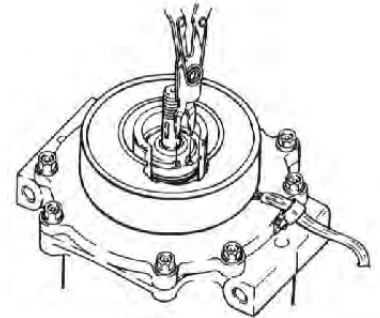
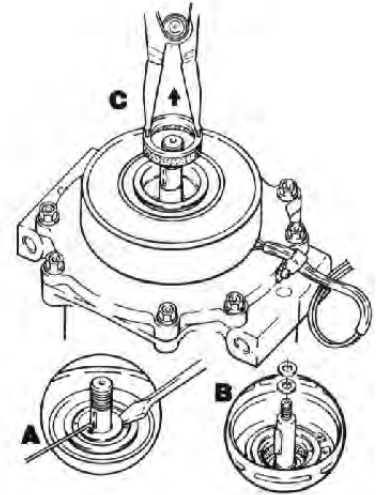


SERVICE OPERATIONS - SHAFT SEAL

15. Replacement of Lip Type Shaft Seal (SD5H14, SD7B10, SD7H13, SD7H15)

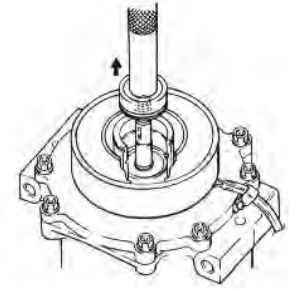
Note: Lip seal assembly and felt ring must never be reused. Always replace these components.

1. Be sure all gas pressure inside the compressor has been relieved.
2. Remove armature dust cover (if used), armature assembly, rotor bearing dust cover (if used), shaft key, and clutch shims as per section 14.1.
3. Insert the points of a pair of snap ring pliers into the holes of the felt ring retainer and pry out the retainer and felt ring.
4. Remove seal snap ring with internal snap ring pliers.



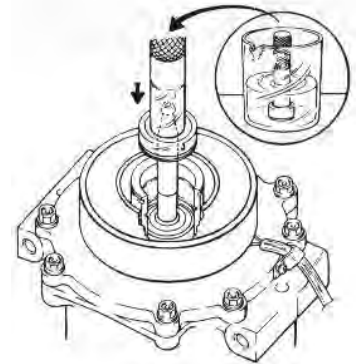
15. (Cont.)

5. Use lip seal removal and installation tool to remove lip seal assembly. Twist the tool until the 2 lips on the tool engage the slots in the lip seal housing and pull the seal out with a twisting motion.



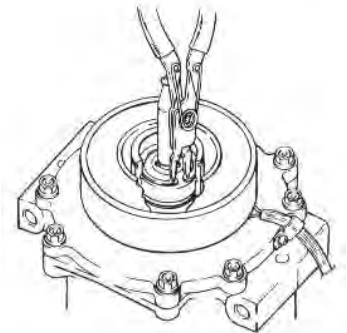
6. Clean out shaft seal cavity thoroughly. Debris can be removed using a non-petroleum based solvent and lint free cloth. The area should then be blown out with clean, dry compressed air. Make sure all foreign material is completely removed.

7. Place shaft seal protective sleeve over compressor shaft. Inspect the sleeve to ensure that it has no scratches and is smooth so that the lip seal will not be damaged. Make sure there is no gap between the end of the sleeve and the seal surface on the shaft.



8. Engage the lips of the seal removal and installation tool with the slots in the new lip seal housing. Make sure the lip seal assembly, especially the O-ring, is clean. Dip the entire lip seal assembly, on the tool, into clean 5GS refrigerant oil. Make sure the seal assembly is completely covered with oil.

9. Install lip seal over shaft and press firmly to seat. Twist the tool in the opposite direction to disengage it from the seal and withdraw the tool.



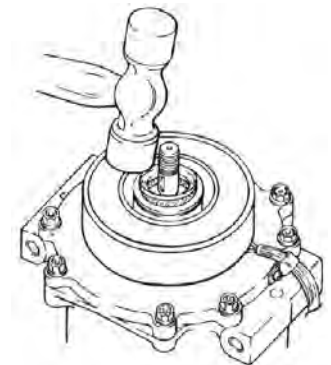
10. Reinstall shaft seal snap ring with internal snap ring pliers. Beveled side should face up (outward/away from compressor body). Ensure that snap ring is completely seated in groove. It may be necessary to tap the snap ring lightly to seat it in the groove.

11. Tap new felt ring assembly into place.

12. Reinstall clutch shims, shaft key, rotor bearing dust cover (if used), and armature assembly as described in Section 14.6

13. Check and adjust air gap as necessary as shown in Section 14.6.

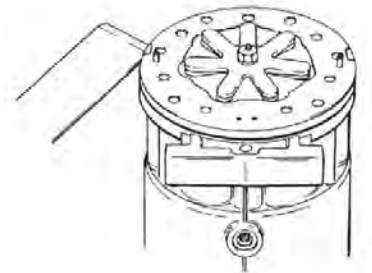
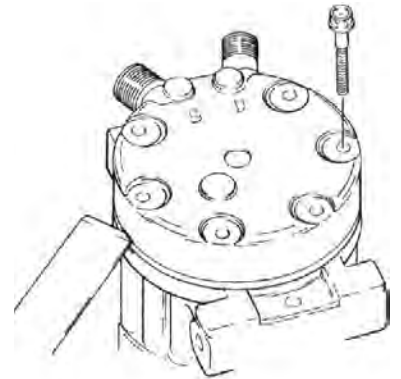
14. Reinstall armature dust cover (if used) as described in Section 14.6.



SERVICE OPERATIONS - CYLINDER HEAD / VALVE PLATE

16.1 Cylinder Head Removal

1. Be sure all internal compressor pressure has been relieved.
2. Inspect cylinder head for fitting or thread damage. Replace if damaged
3. Remove cylinder head bolts.
4. Use a small hammer and gasket scraper to separate the cylinder head from the valve plate. Be careful not to scratch the gasket surface of the cylinder head.
5. Carefully lift the cylinder head from the valve plate.
6. It is recommended that both the head gasket (between the cylinder head and the valve plate) and the block gasket (between the valve plate and the cylinder block) be replaced any time the cylinder head is removed. However, if no service is required to the valve plate, it may be left in place. If the valve plate comes loose from the cylinder block, the block gasket must be replaced.
7. Carefully remove old head gasket from top of valve plate with gasket scraper. Be careful not to disturb the valve plate to cylinder block joint if valve plate has been left in place. If valve plate comes loose from cylinder block, proceed to Section 16.2, Valve Plate Removal, and replace block gasket.

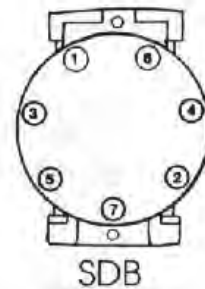
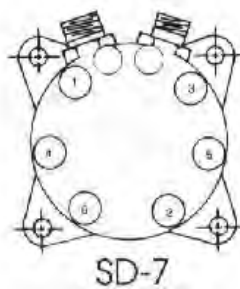
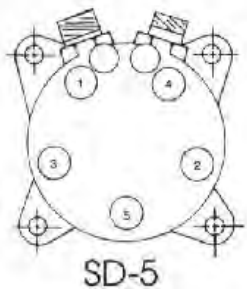
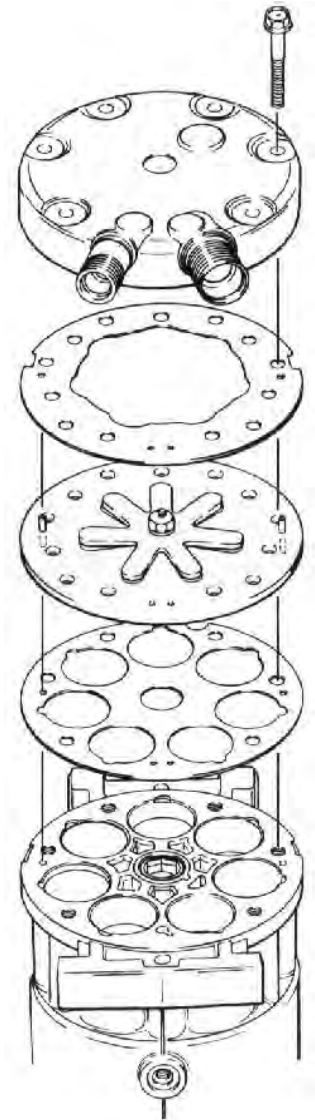


16.2 Valve Plate Removal

1. Using a small hammer and gasket scraper, carefully separate valve plate from cylinder block. **Be careful not to damage sealing surface of cylinder block.**
2. Inspect reed valves and retainer. Replace valve plate assembly if any part is damaged.
3. Carefully remove any gasket material remaining on valve plate, cylinder block or cylinder head. Do not damage sealing surfaces on components.

16.3 Valve Plate and Cylinder Head Installation

1. Large gasket: OD of block gasket is 4-3/4" (120mm) and sealing face of block does not have a 4-1/2" (114.7mm) diameter step.
2. Small gasket: OD of gasket is 4-1/2" (114.7mm) and sealing face of the cylinder block has a 4-1/2" (114.7mm) diameter step.
3. Coat new block gasket with clean 5GS refrigerant oil.
4. Install block gasket. Align new gasket to location pin holes and orifice(s). Notch (if present) should face same direction as oil plug or adapter.
5. Place valve plate on cylinder block with discharge valve, retainer and nut facing up (away from cylinder block) and location pins properly located in holes.
6. Use vacuum pump and small tube to remove residual oil from each bolt hole. If this step is not performed, hydraulic pressure can be created when the cylinder head bolts are tightened. This pressure can break the cylinder block.
7. Coat head gasket with clean 5GS refrigerant oil.
8. Install head gasket cover location pins, checking for correct orientation.
9. Install cylinder head.
10. Install cylinder head bolts and tighten in a star pattern. Torque first to approximately 14 ft•lbf (19.6 N•m, 200 kgf•cm), then finish by torquing to 24-27 ft•lbf (32.4-36.3 N•m, 330-370kgf•cm).



SERVICE OPERATIONS - THERMAL PROTECTOR SWITCH

17.1 TPS Testing

Some models of SD compressors are equipped with a bi-metal type thermal protector switch (TPS) to protect against abnormally high temperatures. Contact Sanden Application Engineering for additional information.

1. Check continuity at room temperature. If switch is open at room temperature, remove and replace.
2. Check actuating temperature. Remove TPS and place in container of PAG oil. Heat oil using an electric hot plate while monitoring oil temperature. TPS should open at $116 \pm 5^{\circ}\text{C}$ ($241 \pm 9^{\circ}\text{F}$). If it does not function properly, replace it.

17.2 TPS Replacement

1. Disconnect all electrical connections.
2. Remove TPS retaining clip bolt.
3. Spray around TPS with commercial non-petroleum based solvent (volatile type such as 1,1,1-trichloroethane or approved substitute), to loosen silicone.
4. Remove TPS with pliers. Use care to prevent deforming the TPS housing because this can change the temperature setting.
5. Clean silicone out of TPS well with flat bladed screwdriver. Wipe out the TPS well with a cloth. Make sure well area is clean and dry.
6. Apply a dot of silicone RTV (Dow Corning #8390 or 1340 recommended) approximately 1/4" (6mm) in diameter and 1/8" (3mm) high at the bottom of the TPS well.
7. Install TPS, making sure lead wires are oriented to the clearance notch.
8. Install TPS retaining clip and bolt. Hold clip tight against stop while torquing bolt to 6-9 ft•lb (8-13 N•m, 80-130 kgf•cm)
9. Reconnect electrical connections and check function.

SERVICE OPERATIONS - HIGH PRESSURE RELIEF VALVE

18. HPRV Replacement

Some models of Sanden compressors are fitted with a high pressure relief valve (HPRV) to protect against damage from abnormally high discharge pressures.

1. **Note:** When replacing a failed HPRV with a new one, be sure to identify whether the A/C system is for R-12 or R134a. The HPRV and the small O-ring at the threaded portion are both different for R134a. Contact your supplier for additional information.
2. Be sure all gas pressure has been released from inside the compressor.
3. Remove HPRV.
4. Coat O-ring of a new HPRV with clean 5GS refrigerant oil. Seat and O-ring must be clean and not damaged.
5. Install new HPRV and torque to 6-9 ft•lb (8-12 N•m, 80-120 kgf•cm).

CONVERTING R-12 SYSTEMS TO R134a

19.1 Recommended Procedures for Sanden R-12 Compressors Retrofitted with R134a

The use of R134a in mobile A/C systems designed for R-12 refrigerant use causes higher discharge pressures (as much as 10-15%) and necessitates changing the compressor lubricant from mineral oil (5GS) to PAG oil (Sanden's SP-10 or SP-20) to ensure compatibility.

These changes result in greater wear to the internal components of the compressor. Therefore, to ensure consistent and expected reliability, Sanden does not recommend using R134a in systems and compressors designed for R-12.

However

Sanden recognizes the realities of the automotive service markets and consumer preferences. If a retrofit is required, please follow the vehicle manufacturer's published retrofit procedures. Ensure all work done complies with SAE recommended practices as described in J1660 & J1661:

- Repair any problems or leaks before retrofitting.
- Affix labels to the vehicle showing conversion status.
- Observe all safety recommendations.

If an OEM retrofit procedure is not available, Sanden recommends the following procedure:

19.2 Sanden's Procedure for Conversion from R-12 to R134a

1. If the R-12 vehicle air conditioning system is optional, run it at idle with the A/C blower on high speed for five (5) minutes to maximize the amount of oil in the compressor.
2. Recover all R-12 refrigerant from the vehicle's A/C system.
3. Remove the compressor from the vehicle.
4. Remove the compressor oil plug and then drain as much mineral oil as possible from the compressor body.
5. Drain mineral oil from the cylinder head suction and discharge ports while turning the shaft with a socket wrench on the clutch armature retaining nut.
6. Remove the existing R-12 receiver-drier or accumulator-drier from the vehicle and discard. Allow as much oil as possible to drain from the A/C hoses.
7. Change any O-rings on the receiver-drier or accumulator-drier joints to approved HNBR O-rings; replace any other O-rings that have been disturbed.
8. Replace the receiver-drier or accumulator-drier with a new R134a compatible one containing XH7 or XH9 desiccant.
9. If a CCOT system is being repaired due to compressor damage, or foreign material is found in the oil drained from the system, this foreign material must be removed from the system. At this time an in-line filter should be installed in the liquid line. Allow as much oil as possible to drain from the A/C lines when installing the filter. Change any O-rings disturbed in the installation of the filter to approved HBNR O-rings.
10. Perform any necessary repairs to the compressor or A/C systems.
11. Using the original refrigerant oil quantity specification, add SP-20 or SP-10 oil to the compressor (SP-10 for TR, SDV-710, SDB-705, SDB-706 and SDB-709; SP-20 for all other SD compressors).
12. Replace the compressor oil plug O-ring with an HNBR O-ring.
13. Reinstall the compressor oil plug. The plug seat and O-ring must be clean and free of damage. Torque the plug to 11-15 ft•lb (15-20 N•m, 150-200 kgf•cm)

19.2 (Cont.)

14. Change any seals at the compressor ports to approved HNBR seals.
15. Reinstall the compressor to the A/C system. Evacuate the A/C system for at least forty-five (45) minutes to a vacuum of 29 in. Hg, using R-12 equipment, to remove as much R-12 as possible from the residual mineral oil.
16. Remove all R-12 service equipment and disable the R-12 service fittings to prevent any refrigerant other than R134a from being used. Permanently install R134a quick connect service fittings to the A/C system.
17. Connect R134a service hoses and other equipment. Re-evacuate the system for thirty (30) minutes using the R134a equipment.
18. Charge the A/C system with R134a. Generally, about 5% (by weight) less than the R-12 charge amount is required. Leak check the system per SAE J1628 procedure.
19. If the A/C system is a CCOT type, which has been repaired due to damage or the discovery of foreign material in the oil drained from the system, run the system for sixty (60) minutes to capture this material in the filter installed in step 9. Recover the refrigerant, remove and dispose of the filter, reconnect the lines, evacuate for at least forty-five (45) minutes, and recharge the A/C system. This step should not be necessary for TXV systems, since the drier is fitted with an internal filter.
20. Check the A/C system operating parameters. The system should function correctly within acceptable limits of temperatures and pressures. This will ensure that the correct amount of R134a has been charged.
21. In extreme circumstances when expected cooling performance cannot be achieved and high discharge pressures are experienced, it may be necessary to add more condensing capacity to the A/C system. An electric fan(s) and/or larger capacity condenser can be used.
22. Replace all R-12 compressor labels with retrofit labels per SAE J1660 in order to provide information on the R134a retrofit which has been performed.

Model	Retrofit PAG oil amount fluid ounces (cc)	
	Expansion valve systems	Orifice tube systems
SD-505	3.4±0.5 (100±15)	No Standard
SD-507	5.5±0.5 (165±15)	No Standard
SD-508	7.2±0.5 (210±15)	9.5±0.5 (280±15)
SD-510	No Standard	8.1±0.5 (240±15)
SDB-706	No Standard	No Standard
SD-708	4.6±0.5 (135±15)	No Standard
SD-709	4.6±0.5 (135±15)	8.1±0.5 (240±15)



Sanden SP-20 REFRIGERANT OIL FOR R134a SD COMPRESSORS

Sanden provides field service containers of SP-20 PAG oil for Sanden SD-series compressors in convenient 250cc cans. These cans are designed to withstand moisture ingestion. Always keep the cap of the can tightly closed when not handling the oil.

Cans are packed in "six-packs" and available through your Sanden representative. Material safety data is also available.

Sanden limits the warranty of SD compressors for field service with the condition that only Sanden-approved SP-20 is utilized.

"Six-Pack" of 250 cc cans of SP-20 oil -Sanden Number 7803-1997.

RED DOT CORPORATION

AFTERMARKET WARRANTY POLICY

Units and Replacement Parts

Red Dot Corporation warrants its on and off highway air conditioners, heaters and replacement parts against any defects that are due to faulty material or workmanship for a period of one year from date of purchase or date of installation unless otherwise noted below.

In the event that a defect is discovered during the warranty

period, Red Dot Corporation agrees that, at its option, it will repair, replace or credit the defective product, when returned, transportation prepaid, to Red Dot Corporation. Any product repaired or replaced under this warranty will be warranted only for the remainder of the original product warranty period.

This warranty does not apply to consumable products such

as chemicals or oils or consumable components of a product, such as, but not limited to bulbs and filters.

To initiate warranty support, contact Red Dot Corporation or an authorized Red Dot Distributor or Dealer. Products may not be returned without a return goods authorization number (RGA#) from Red Dot Corporation.

Limitations

1. GENERAL CONDITIONS

- a. No unit is guaranteed to maintain a specific temperature output or cab temperature since many variables in installation and geographical location affect this output.
- b. It is common for installers to use components from several different manufacturers. If this component selection (e.g. inadequate condenser size) results in failure, the necessary repairs are not covered.
- c. Many system failures are the result of poor installation practice (e.g. lack of proper hose brackets). Failures resulting from poor installation are not covered.
- d. This warranty is the sole property of the original owner-user. A transfer of ownership shall terminate the warranty.
- e. Red Dot Corporation reserves the right to make design improvements without any obligation to change units or parts previously manufactured.
- f. Red Dot Corporation retains the right to inspect faulty parts at its factory and determine whether such parts are defective. No materials will be accepted by Red Dot without a Red Dot return goods authorization number (RGA#).
- g. In no event shall Red Dot Corporation be liable for consequential damage or contingent liabilities, including, without limitation, such things as damage to vehicles,

contents or product cargo; expenses for rental of other equipment; or expenses incurred arising from the failure of any unit or parts thereof to operate properly.

- h. Alterations or modification, in any form, to a Red Dot unit or part thereof shall nullify and make void this warranty. The only exception is a modification with the express written approval of Red Dot Corporation's Director of Engineering.

2. COMPONENT LIMITATIONS

- a. Receiver Driers or Accumulators will be allowed if a system charge is lost as a result of a warrantable Red Dot refrigerant related component failure. Receiver Driers and Accumulators are warranted against manufacturing defects and canister leaks for a period of one year.
- b. Warranty coverage on thermal expansion valves (TXV) is limited to body leaks and/or internal malfunctions. This warranty is inapplicable if contaminates, such as refrigerant sealant, rust, or carbon sediment (caused by excessive system moisture as a result of lack of system maintenance) are present in the system or the malfunction is due to unauthorized adjustments or repairs.
- c. Consumable product such as, but not limited to, filters, bulbs, chemicals and tools are warranted to be free of manufacture defects at time of sale.

3. WARRANTY REPAIRS

- a. Warranty repairs shall be made only by an Authorized Red Dot Distributor, OEM Dealer or a service center considered competent by a Red Dot Authorized Distributor using Red Dot components.
- b. Warranty repairs should be accomplished to put the air conditioner or heater in like new working order. Evaporator coils, heater cores or condensers must be replaced with new Red Dot components.

4. WARRANTY CLAIMS

- a. Claims will be accepted only from Authorized Red Dot Warehouse Distributors or OEM Dealers.
- b. Warranty claims will be paid based on the most current settlement schedule released by Red Dot. No allowance will be made for mileage, travel time, down time or related expenses.

5. EXCLUSIONS

This warranty does not cover defects caused by customer neglect, incorrect application, wiring, alteration or repairs made outside the company's factory. This warranty is the sole property of the original owner/user. A transfer of ownership shall terminate the warranty.

Limitation of Remedies

Some states within the United States do not allow the disclaimer of implied warranties and if this is true in your state the above limitation may not apply to you. This warranty gives you specific rights, and you may also have other rights that vary from state to state.

This warranty constitutes the final, complete and exclusive statement of warranty terms and no person is authorized to make any other warranties or representations on behalf of Red Dot Corporation.

This warranty supersedes all previous warranty policies

expressed or implied and frees the manufacturer of any other obligation or liability including but not limited to consequential and incidental damages. The manufacturer will not assume or allocate any other liability in connection with the sale of Red Dot components.

RED DOT CORPORATION

AFTERMARKET WARRANTY POLICY

Units and Replacement Parts

Red Dot Corporation warrants its on and off highway air conditioners, heaters and replacement parts against any defects that are due to faulty material or workmanship for a period of one year from date of purchase or date of installation unless otherwise noted below.

In the event that a defect is discovered during the warranty

period, Red Dot Corporation agrees that, at its option, it will repair, replace or credit the defective product, when returned, transportation prepaid, to Red Dot Corporation. Any product repaired or replaced under this warranty will be warranted only for the remainder of the original product warranty period.

This warranty does not apply to consumable products such

as chemicals or oils or consumable components of a product, such as, but not limited to bulbs and filters.

To initiate warranty support, contact Red Dot Corporation or an authorized Red Dot Distributor or Dealer. Products may not be returned without a return goods authorization number (RGA#) from Red Dot Corporation.

Limitations

1. GENERAL CONDITIONS

- a. No unit is guaranteed to maintain a specific temperature output or cab temperature since many variables in installation and geographical location affect this output.
- b. It is common for installers to use components from several different manufacturers. If this component selection (e.g. inadequate condenser size) results in failure, the necessary repairs are not covered.
- c. Many system failures are the result of poor installation practice (e.g. lack of proper hose brackets). Failures resulting from poor installation are not covered.
- d. This warranty is the sole property of the original owner-user. A transfer of ownership shall terminate the warranty.
- e. Red Dot Corporation reserves the right to make design improvements without any obligation to change units or parts previously manufactured.
- f. Red Dot Corporation retains the right to inspect faulty parts at its factory and determine whether such parts are defective. No materials will be accepted by Red Dot without a Red Dot return goods authorization number (RGA#).
- g. In no event shall Red Dot Corporation be liable for consequential damage or contingent liabilities, including, without limitation, such things as damage to vehicles,

contents or product cargo; expenses for rental of other equipment; or expenses incurred arising from the failure of any unit or parts thereof to operate properly.

- h. Alterations or modification, in any form, to a Red Dot unit or part thereof shall nullify and make void this warranty. The only exception is a modification with the express written approval of Red Dot Corporation's Director of Engineering.

2. COMPONENT LIMITATIONS

- a. Receiver Driers or Accumulators will be allowed if a system charge is lost as a result of a warrantable Red Dot refrigerant related component failure. Receiver Driers and Accumulators are warranted against manufacturing defects and canister leaks for a period of one year.
- b. Warranty coverage on thermal expansion valves (TXV) is limited to body leaks and/or internal malfunctions. This warranty is inapplicable if contaminates, such as refrigerant sealant, rust, or carbon sediment (caused by excessive system moisture as a result of lack of system maintenance) are present in the system or the malfunction is due to unauthorized adjustments or repairs.
- c. Consumable product such as, but not limited to, filters, bulbs, chemicals and tools are warranted to be free of manufacture defects at time of sale.

3. WARRANTY REPAIRS

- a. Warranty repairs shall be made only by an Authorized Red Dot Distributor, OEM Dealer or a service center considered competent by a Red Dot Authorized Distributor using Red Dot components.
- b. Warranty repairs should be accomplished to put the air conditioner or heater in like new working order. Evaporator coils, heater cores or condensers must be replaced with new Red Dot components.

4. WARRANTY CLAIMS

- a. Claims will be accepted only from Authorized Red Dot Warehouse Distributors or OEM Dealers.
- b. Warranty claims will be paid based on the most current settlement schedule released by Red Dot. No allowance will be made for mileage, travel time, down time or related expenses.

5. EXCLUSIONS

This warranty does not cover defects caused by customer neglect, incorrect application, wiring, alteration or repairs made outside the company's factory. This warranty is the sole property of the original owner/user. A transfer of ownership shall terminate the warranty.

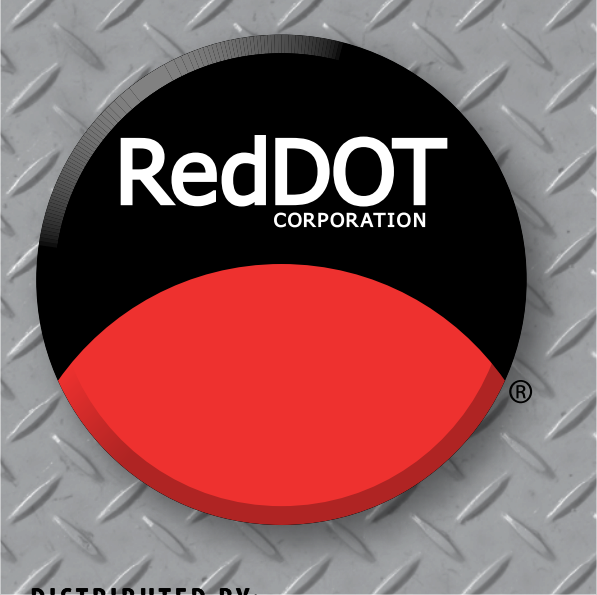
Limitation of Remedies

Some states within the United States do not allow the disclaimer of implied warranties and if this is true in your state the above limitation may not apply to you. This warranty gives you specific rights, and you may also have other rights that vary from state to state.

This warranty constitutes the final, complete and exclusive statement of warranty terms and no person is authorized to make any other warranties or representations on behalf of Red Dot Corporation.

This warranty supersedes all previous warranty policies

expressed or implied and frees the manufacturer of any other obligation or liability including but not limited to consequential and incidental damages. The manufacturer will not assume or allocate any other liability in connection with the sale of Red Dot components.



DISTRIBUTED BY:



PART NUMBER RD-X-XXXX-X
P.O. BOX 58270, Seattle, Washington 98138

RedDotCorp.com

© 2017 Red Dot Corporation. All rights reserved. PRINTED IN THE U.S.A.